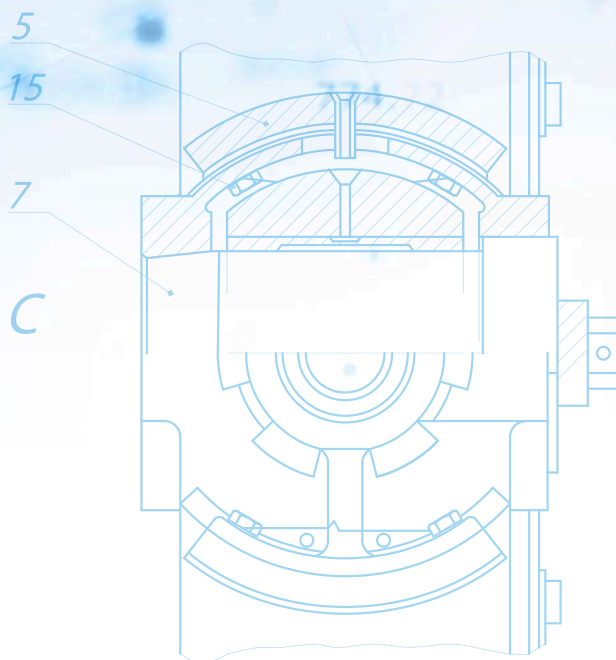


WIPO International Patent Drafting Training Program

A comprehensive hands-on experience in patent drafting that improves the knowledge and skills required for successful patent applications while building a global community of professionals



FÉDÉRATION INTERNATIONALE DES CONSEILS
EN PROPRIÉTÉ INTELLECTUELLE

INTERNATIONAL FEDERATION OF
INTELLECTUAL PROPERTY ATTORNEYS

INTERNATIONALE FÖDERATION
VON PATENTANWÄLTEN



What is the WIPO International Patent Drafting Training Program?

Quality patents empower their owners to control the destiny of their inventions. Transforming inventions into well-crafted patent applications to achieve this takes a combination of legal and technical knowledge. The WIPO International Patent Drafting Program delivers a hands-on experience where you can develop your technique with personalized feedback from experienced patent professionals.

During this program, you will draft applications in a range of technical areas and fine-tune them for different jurisdictions together with participants from around the world.

The program is delivered by WIPO in cooperation with the International Federation of Intellectual Property Attorneys (FICPI) and informed by the contributions of recognized patent drafting professionals from around the world. Participants will be awarded

a WIPO Certificate upon successful completion of the training program.

Who benefits from the Program?

Patent professionals can improve their patent drafting skills and deliver a higher quality service, enhancing their reputation with patent applicants.

Innovators can rely on patent professionals better equipped to build commercially relevant patent portfolios.

Governments and IP offices will receive improved patent applications, increasing local patent quality. Growing the skills of local patent professionals support local innovation and increase the total value of IP assets in national economies.

Governments and IP offices can integrate the Program into their patent agent qualifications and/or education systems (see back cover).

Who should attend?

Anyone who wishes to improve their patent drafting skills. In particular,

- Patent agents and patent agent candidates
- Staff of institutions involved in technology support – such as university technology transfer offices, public research centers or WIPO Technology and Innovation Support Centers (TISCs)
- Others regularly involved in supporting inventors to obtain patents who wish to further improve their skills on patent drafting

Program structure

WIPO International Patent Drafting Training Program is composed of three (3) phases delivered over a period of eight (8) months:

Phase 1

Drafting Basics (10 weeks)

Fundamentals of drafting claims and the specification through facilitated discussions and exercises

Phase 2

Live Workshop (5 days)

Focused on improving technology-relevant patent drafting skills and practices in different jurisdictions

Phase 3

Mentoring (10 weeks)

Four (4) advanced patent drafting exercises in the participants' field of expertise

A WIPO Certificate will be awarded to those who successfully complete Phases 1, 2 and 3 of the training program, and pass the Evaluations scheduled at the end of the training program.

Fees

A registration fee of USD 800 is payable upon notification of acceptance. Discounts are available for the following groups:

	Developed Countries	Developing Countries & Economies in Transition	Least Developed Countries
Professionals & Non-Students	USD 800 standard fee	USD 320 60% discount	USD 160 80% discount
Students	USD 640 20% discount		

Scholarships

A limited number of scholarships are available for applicants from least developed and developing countries and economies in transition.

Integrating the WIPO International Patent Drafting Training Program into Member State patent qualifications and training systems

Countries which recognize a need for improving the training of their patent drafting professionals can integrate the WIPO International Patent Drafting Training Program into national or regional patent qualifications and/or training systems.

Each Member State can decide how the Program is integrated and how the certificate awarded by WIPO is recognized by national programs. Program integration and WIPO certificates could assume several different forms. For instance:

- A WIPO certificate could be used as a prerequisite qualification, or a form of credit, to become a national patent agent or professional.
- A WIPO certificate could provide a professional title recognizing expertise in patent drafting.

- The Program could become an obligatory educational program for national patent agents/ professionals – or provide credit required within an obligatory educational program.

Recognition of WIPO certificates awarded upon completion of the Program is based on a Memorandum of Understanding (MoU) between WIPO and interested IP offices in Member States.

For more information on WIPO's patent drafting offerings, please visit:

<https://www.wipo.int/patents/en/drafting/>

World Intellectual Property Organization
34, chemin des Colombettes
P.O. Box 18
CH-1211 Geneva 20
Switzerland

Tel: +41 22 338 91 11
Fax: +41 22 733 54 28

For contact details of WIPO's
External Offices visit:
www.wipo.int/about-wipo/en/offices

© WIPO, 2021



Attribution 4.0 International
(CC BY 4.0)

The CC license does not apply to
non-WIPO content in this publication.

Images: Getty Images

WIPO Reference RN2021-23