



PATENTS OFFICE JOURNAL

IRISLEABHAR OIFIG NA bPAITINNÍ

Iml. 94

Cill Chainnigh 12 June 2019

Uimh. 2387

CLÁR INNSTE

Cuid I		Cuid II	
Paitinní	Leath	Trádmharcanna	Leath
Official Notice	3976	Applications for Trade Marks	2371
Applications for Patents	3977	Oppositions under Section 43	2418
Applications Published	3978	Revocation of Trade mark	2418
Patents Granted	3979	Application(s) Withdrawn	2418
European Patents Granted	3980	Trade Marks Registered	2418
Applications Withdrawn, Deemed Withdrawn or Refused	4152	Trade Marks Renewed	2419
Applications Lapsed	4152	International Registrations under the Madrid Protocol	2423
Request for Grant of Supplementary Protection Certificate	4153	International Trade Marks Protected	2439
Supplementary Protection Certificate Granted	4153	Cancellations effected under the Madrid Protocol	2441
Supplementary Protection Certificate Withdrawn	4154	Changes/Corrections in the International Register	2453
Application for Extension of the Duration of a Supplementary Protection Certificate	4154		
Dearachtaí			
Designs Information under the 2001 Act			
Designs Registered	4155		
Designs Renewed	4160		

*The Patents Office Journal is published fortnightly by the Irish Patents Office.
Each issue is freely available to view or download from our website at
www.patentsoffice.ie*

© *Government of Ireland, 2019*

© *Rialtas na hÉireann, 2019*

Patents Office Journal

Irisleabhar Oifig Na bPaitinní

Cuid I

Paitinní agus Dearachtaí

No. 2387

Wednesday, 12 June, 2019

NOTE: *The office does not guarantee the accuracy of its publications nor undertake any responsibility for errors or omissions or their consequences.*

<p>In this Part of the Journal, a reference to a section is to a section of the Patents Act, 1992 unless otherwise stated.</p>
--

Official Notice

Register of Patent Agent Rules, 1992

October 2019 Examination Arrangements

Subject to there being a demand therefor by a sufficient number of eligible candidates, the Patent Agents Board proposes to arrange with the UK Patent Examination Board (PEB) for the holding of some or all of the following written examinations in October, 2019 for the purpose of Rules 7 and 8 of the above mentioned rules.

The PEB has been authorised by the UK Intellectual Property Regulation Board (IPReg) to conduct the Final Diploma examinations from 2014.

Therefore, the 2019 examinations will be organised by the PEB and will be in the same format and for the same subjects as previously set by the JEB. The examinations will consist of the following Final Diploma examinations of the PEB.

Tuesday	15 October, 2019	Paper FD4 (P6)
	10.00a.m. – 3.00 p.m.	Infringement and Validity
Wednesday	16 October, 2019	Paper FD3 (P4)
	10.00a.m. – 1.00p.m.	Amendment of Specifications
Thursday	17 October, 2019	Paper FD2 (P3)
	10.00a.m. – 2.00p.m.	Drafting of Patent Specifications

The full timetable can be found here: <http://www.cipa.org.uk/patent-examination-board/support/examination-information/>

Candidates wishing to be examined in these papers should register with the PEB using the form which can be found here: <http://www.cipa.org.uk/patent-examination-board/registration/>. You will then receive an invoice to pay the appropriate fee **directly to the PEB. Candidates should not pay any fee to the Irish Patents Office.** The current fees can be found here: <http://www.cipa.org.uk/patent-examination-board/support/examination-information/>

Irish candidates are advised that in order to proceed with the PEB registration form they should answer “yes” to Questions 2 and 4. This will then allow the candidate to access entry to the finals examinations listed in question 6.

The PEB have indicated that they will be able to identify an Irish candidate by virtue of that candidate selecting the ‘Ireland’ venue and that Irish candidates are therefore not subject to the same progression rules as UK candidates.

Applications for Patents From 11/03/2019 to 15/05/2019

The names of applicants are in alphabetical order. In the case of joint applicants, each name is given independently. The title of the invention should not be regarded as an exhaustive indication of the subject-matter. The date immediately following the title is that on which the application was filed; in the case of a divisional application, the filing date of the earlier application is added within parentheses. In the case of a Convention application the Convention country and priority date(s) claimed are given in square brackets and where an application claimed the priority of an earlier application filed at the office, this information is given within the square brackets. The number is that of the application and should be used for correspondence purposes up to the date of grant of a patent. The letter S preceding the number indicates that the application is for a short-term patent. A new number will be given when a patent is granted and this new number should be quoted in all correspondence subsequent to grant.

BROPHY BRIAN Hurley holder 11 March 2019 **S20190073**

BURNSIDE RESEARCH A cushioning device 14 May 2019 **20190074**

MERNAGH DESMOND Shoe fitting aid 15 May 2019 [United Kingdom-15 May 2018] **S20190075**

Applications Published Under Section 28

The following applications become open to public inspection as from the date of this issue of the journal. The date given is the date of filing of the application or the earliest priority claimed.

- 2018 S20180104** CHENGDU ZHONG HENG HUA TIE TECHNOLOGY CO.,LTD.
Pyranzinamide drug intermediates p-diazabenzene-2,3-dicarboxylic acid synthesis method. 03 April 2018. Int. Cl. (2019.01) **C07D 241/00**.
- S20180106** CHENGDU ZHONG HENG HUA TIE TECHNOLOGY CO.,LTD. Drugs intermediates 2-formylcarbonylbenzoic acid synthesis method. 03 April 2018. Int. Cl. (2019.01) **C07C 51/00; C07C 65/00**.
- S20180111** CHENGDU ZHONG HENG HUA TIE TECHNOLOGY CO.,LTD.
Antimalarial medicine intermediates 2,4-dichlorobenzoic acid synthesis. 03 April 2018. Int. Cl. (2019.01) **C07C 51/00; C07C 63/00**.
- S20180121** CHENGDU QIE SI TE TECHNOLOGY CO., LTD. Vitamin E acetate intermediates 2,3,5-trimethylbenzoquinone synthesis method. 04 April 2018 Int. Cl. (2019.01) **C07C 46/00; C07C 50/00**.
- S20180125** CHENGDU QIE SI TE TECHNOLOGY CO., LTD. Naproxen sodium drug intermediates 2-ethoxynaphthaloic acid synthesis method. 04 April 2018. Int. Cl. (2019.01) **C07C 65/00**.
- S20180126** CHENGDU QIE SI TE TECHNOLOGY CO., LTD. Isopropyl myristate drug intermediates myristic acid synthesis method. 04 April 2018. Int. Cl. (2019.01) **C07D 317/00**.
- 20180146** HOWARD FOUNDATION HOLDINGS LTD., Prevention and/or treatment of neurodegenerative disease. 04 December 2017. Int. Cl. (2019.01) **A61K 31/00; A61P 25/00**.
- S20180230** EXIT SURF STREET SUMMIT LIMITED, Hanger for holding watersport garments. 10 August 2018. Int. Cl. (2019.01) **A47G 25/00**.
- S20180579** JENNIFER MCCARTHY; WALEED FAISAL; ABINA CREAN
Formulation for the oral administration of nutraceutical and pharmaceutical active ingredients. 31 December 2018. Int. Cl. (2019.01) **A61K 9/00; A61K 36/00**.
- 2019 S20190032** BOYKO OLEXANDRA; BRYGADYRENKO VIKTOR; GUGOSYAN YURII Method of using formic acid against parasitic nematodes of vertebrate animals and humans. 15 February 2019. Int. Cl. (2019.01) **A61K 31/00; A61K 33/00**.
-

Patents Granted Under Section 34

The number of a patent is given in heavy type; the letter S preceding the number indicates a short-term patent. The code numbers following the title of each invention are those of the International Patent Classification. The date of filing the application follows the proprietor's name. The patent application number, which follows the date of application in parenthesis, has been superseded by the patent number. In the case of an application claiming the priority of an earlier application, the name of the country where the earlier application was made and the date of the earlier application are shown in square brackets.

By virtue of Section 65(3), the application relating to any short-term patent appearing in the following list whose date of filing is later than the date which is 18 months prior to the date of this issue of the Journal becomes open to public inspection as and from the date of this issue of the Journal.

- S87018** Hanger for holding watersport garments. Int. Cl. (2019.01) **A47G 25/00**. EXIT SURF STREET SUMMIT LIMITED 10 August 2018 (S20180230)
- S87019** Pyranzinamide drug intermediates p-diazabenzene-2,3-dicarboxylic acid synthesis method. Int. Cl. (2019.01) **C07D 241/00**. CHENGDU ZHONG HENG HUA TIE TECHNOLOGY CO.,LTD. 03 April 2018 (S20180104)
- S87020** Drugs intermediates 2-formylcarbonylbenzoic acid synthesis method. Int. Cl. (2019.01) **C07C 51/00; C07C 65/00**. CHENGDU ZHONG HENG HUA TIE TECHNOLOGY CO.,LTD. 03 April 2018 (S20180106)
- S87021** Antimalarial medicine intermediates 2,4-dichlorobenzoic acid synthesis. Int. Cl. (2019.01) **C07C 51/00; C07C 63/00**. CHENGDU ZHONG HENG HUA TIE TECHNOLOGY CO.,LTD. 03 April 2018 (S20180111)
- S87022** Vitamin E acetate intermediates 2,3,5-trimethylbenzoquinone synthesis method. Int. Cl. (2019.01) **C07C 46/00; C07C 50/00**. CHENGDU QIE SI TE TECHNOLOGY CO., LTD. 04 April 2018 (S20180121) [China-16 June 2017]
- S87023** Naproxen sodium drug intermediates 2-ethoxynaphthaloic acid synthesis method. Int. Cl. (2019.01) **C07C 65/00**. CHENGDU QIE SI TE TECHNOLOGY CO., LTD. 04 April 2018 (S20180125) [China-18 April 2017]
- S87024** Isopropyl myristate drug intermediates myristic acid synthesis method. Int. Cl. (2019.01) **C07D 317/00**. CHENGDU QIE SI TE TECHNOLOGY CO., LTD. 04 April 2018 (S20180126) [China-18 April 2017]
- 87025** A multipurpose trailed agricultural implement frame. Int. Cl. (2019.01) **A01B 51/00; B60P 3/00; B62D 21/00**. Idough Investment Company 12 April 2016 (20160108)
- S87026** Formulation for the oral administration of nutraceutical and pharmaceutical active ingredients. Int. Cl. (2019.01) **A61K 9/00; A61K 36/00**. JENNIFER MCCARTHY; WALEED FAISAL; ABINA CREAM 31 December 2018 (S20180579)

S87027 Method of using formic acid against parasitic nematodes of vertebrate animals and humans. Int. Cl. (2019.01) **A61K 31/00; A61K 33/00**. BOYKO OLEXANDRA; BRYGADYRENKO VIKTOR; GUGOSYAN YURII 15 February 2019 (S20190032)

Patents Granted Under European Patent Convention Designating Ireland

The Irish serial number appears first followed, respectively, by the proprietor's name, the date of filing of the application, the filing number and the European Patent Office publication number.

If the specification of the European patent was published in French or German the word 'French' or 'German', as appropriate, will appear as the last item of information.

Grants Published in EPO Bulletin No. 20/19, dated 15th May 2019

1362458	Google Technology Holdings LLC	30/01/2002	1362458	02702112.0	
1451336	Glycanova AS	03/09/2002	1451336	02762662.1	
1480422	Microsoft Technology Licensing, LLC	21/05/2004	1480422	04012125.3	
1510071	Koninklijke Philips N.V.	21/05/2003	1510071	03725475.2	
1523776	Cree, Inc.	15/07/2003	1523776	03765562.8	
1532076	Albemarle Netherlands B.V.	19/08/2003	1532076	03790910.8	
1561169	Rateze Remote Mgmt. L.L.C.	16/12/2002	1561169	02797354.4	
1572812	Merck Patent GmbH	09/12/2003	1572812	03767774.7	German
1580485	Mitsubishi Hitachi Power Systems, Ltd.	27/08/2003	1580485	03812675.1	
1639284	SABAF S.p.A.	01/07/2003	1639284	03741084.2	
1657292	Infineum International Limited	26/10/2005	1657292	05110044.4	
1659094	SIJTechnology, Inc.	29/07/2004	1659094	04748246.8	
1659902	aeris GmbH	12/08/2004	1659902	04764056.0	German
1660162	Baska, Kanag Baska, Meenakshi	30/07/2004	1660162	04737629.8	
1666573	NISSAN MOTOR COMPANY LIMITED MARTIN, Jean-Michel Nippon Oil Corporation	06/08/2004	1666573	04744195.1	
1674634	VKR Holding A/S	23/12/2005	1674634	05388116.5	
1682638	BASF SE	05/11/2004	1682638	04797633.7	German
1685639	SEW-EURODRIVE GmbH & Co. KG	11/11/2004	1685639	04797828.3	German
1708642	Cardiokinetix, Inc.	05/01/2005	1708642	05705067.6	
1709159	VIACYTE, INC.	23/12/2004	1709159	04815710.1	

1732607	Ascendis Pharma GmbH	22/03/2005	1732607	05716306.5	
1733372	Koninklijke Philips N.V.	15/03/2005	1733372	05709008.6	
1733539	Netasq	24/03/2005	1733539	05744539.7	French
1734842	Aplix	18/03/2005	1734842	05742825.2	French
1743358	GE Lighting Solutions, LLC	25/04/2005	1743358	05740241.4	
1758938	Dow Global Technologies LLC	07/03/2005	1758938	05724853.6	
1761177	Spinal Elements, Inc.	10/02/2005	1761177	05723001.3	
1766575	Cognex Technology and Investment Corporation	06/06/2005	1766575	05756516.0	
1773019	Alcatel Lucent	06/09/2006	1773019	06018617.8	
1779047	Carrier Corporation	14/07/2005	1779047	05771712.6	
1799492	L&P Property Management Company	25/08/2005	1799492	05791685.0	
1803017	Reflectivity, Inc.	08/09/2005	1803017	05793326.9	
1812760	ConocoPhillips Company	14/10/2005	1812760	05807599.5	
1818618	SMEG S.p.A.	13/02/2007	1818618	07102303.0	
1826942	Tencent Technology (Shenzhen) Company Limited	09/12/2005	1826942	05818651.1	
1834927	Aquis Wasser-Luft-Systeme GmbH, Lindau	15/03/2007	1834927	07005352.5	German
1836336	Georgia-Pacific Nonwovens LLC	13/12/2005	1836336	05854049.3	
1842522	Otsuka Pharmaceutical Co., Ltd.	27/12/2005	1842522	05822499.9	
1852604	BorgWarner Ludwigsburg GmbH	04/05/2007	1852604	07008993.3	German
1856610	Solarflare Communications Inc	31/01/2006	1856610	06719955.4	
1868596	MJN U.S. Holdings LLC	22/03/2006	1868596	06739275.3	
1869590	Google LLC	31/03/2006	1869590	06740430.1	
1874826	EASTMAN CHEMICAL COMPANY	25/04/2006	1874826	06751335.8	
1882054	GE Oil & Gas UK Limited	20/05/2005	1882054	05748355.4	
1913487	MediaTek Sweden AB	23/05/2006	1913487	06733428.4	
1919158	LG Electronics Inc.	29/10/2007	1919158	07021113.1	
1927954	Harman Becker Automotive Systems GmbH	01/12/2006	1927954	06024937.2	
1934153	Cardinal CG Company	10/10/2006	1934153	06816641.2	
1934717	Telefónica Germany GmbH & Co. OHG	12/09/2006	1934717	06791997.7	
1940080	Samsung Electronics Co., Ltd.	21/09/2007	1940080	07116984.1	
1941949	KAWASAKI JUKOGYO KABUSHIKI KAISHA	26/10/2006	1941949	06822299.1	

3982	(No. 2387)	Patents Office Journal	(12/06/2019)		
1946047	THE AUSTRALIAN NATIONAL UNIVERSITY	18/10/2006	1946047	06790399.7	
1948099	Cook Medical Technologies LLC	11/09/2006	1948099	06803218.4	
1952535	OSRAM GmbH	22/11/2006	1952535	06830078.9	German
1958254	Karlsruher Institut für Technologie	08/12/2006	1958254	06829445.3	German
1966863	Prysmian S.p.A.	28/12/2005	1966863	05849576.3	
1967964	Sony Interactive Entertainment Inc.	08/09/2006	1967964	06797682.9	
1968508	Hybernia Medical LLC	22/11/2006	1968508	06844551.9	
1973576	Genmab A/S	28/11/2006	1973576	06818129.6	
1974427	ABB S.p.A.	01/12/2006	1974427	06847024.4	
1975624	Hitachi High-Technologies Corporation F.HOFFMANN-LA ROCHE AG	20/03/2008	1975624	08005375.4	
1976318	Deutsche Telekom AG	28/03/2007	1976318	07006381.3	
1976909	ELKEM SILICONES France SAS CENTRE NATIONAL DE LA RECHERCHE SCIENTIFIQUE - CNRS-	19/12/2006	1976909	06830723.0	French
1976936	Sun Chemical Corporation	11/01/2007	1976936	07709736.8	
1978800	DeLaval Holding AB	25/01/2007	1978800	07701143.5	
1981999	Dansk Mink Papir A/S	23/01/2007	1981999	07702523.7	
1984723	Ecole Polytechnique Fédérale de Lausanne (EPFL)	01/02/2007	1984723	07705760.2	
1987479	Google LLC	06/02/2007	1987479	07717571.9	
1991743	Polymer-Wood Technologies, Inc.	21/02/2007	1991743	07751373.7	
1993439	CardioNet, Inc.	13/03/2007	1993439	07758468.8	
1994435	British Telecommunications public limited company	23/02/2007	1994435	07705280.1	
2002170	Plastic Omnium Advanced Innovation and Research	26/03/2007	2002170	07727314.2	
2002535	Czech Technical University in Prague	21/12/2006	2002535	06828476.9	
2022009	Techviz	27/04/2007	2022009	07731963.0	French
2029689	CABOT MICROELECTRONICS CORPORATION	18/04/2007	2029689	07755680.1	
2031461	Konica Minolta Business Technologies, Inc.	26/08/2008	2031461	08015033.7	
2034473	Fraunhofer-Gesellschaft zur Förderung der angewandten Forschung e.V.	17/02/2005	2034473	08021083.4	German
2034835	Summa Health System	15/06/2007	2034835	07798648.7	

2037005	Covestro Deutschland AG	02/09/2008	2037005	08015441.2	German
2038486	ESCO Group LLC	13/06/2007	2038486	07796103.5	
2038638	Centre National de la Recherche Scientifique UNIVERSITE DE POITIERS	02/07/2007	2038638	07803825.4	French
2039807	Kinotech Solar Energy Corporation AGC Inc.	05/07/2007	2039807	07768172.4	
2051837	Braun GmbH	26/07/2007	2051837	07801454.5	German
2052551	Sony Mobile Communications Inc.	16/02/2007	2052551	07705910.3	
2053984	Hilliard, Jack Keith	22/08/2007	2053984	07837267.9	
2055289	Eurokeyton, S.A.	15/02/2007	2055289	07704729.8	
2059177	Knapp, Thomas Uihlein, Bernhard Thompson, Stanley Coonahan, Timothy Taylor, Jon	26/09/2007	2059177	07815004.2	
2062809	CAMPAGNOLO S.R.L.	22/03/2008	2062809	08005438.0	
2067277	Intel Corporation	25/09/2007	2067277	07843180.6	
2072600	Kerry Luxembourg S.a.r.l.	10/09/2008	2072600	08164013.8	
2074717	Rosemount, Inc.	28/09/2007	2074717	07838980.6	
2074824	NXP USA, Inc.	30/08/2007	2074824	07814592.7	
2078153	Davies, David	06/11/2006	2078153	06804475.9	
2082463	CORNELL RESEARCH FOUNDATION, INC.	26/10/2007	2082463	07854440.0	
2084870	Imagination Technologies Limited	31/10/2007	2084870	07824405.0	
2097963	Draeger Medical Systems, Inc.	26/12/2007	2097963	07866015.6	
2101259	MBDA France	09/03/2009	2101259	09290167.7	French
2101380	Commissariat à l'Énergie Atomique et aux Énergies Alternatives Centre National de la Recherche Scientifique	09/03/2009	2101380	09154593.9	French
2102658	CIRCASSIA AB	18/01/2008	2102658	08705328.6	
2111416	VIFOR (INTERNATIONAL) AG	15/01/2008	2111416	08707897.8	German
2111433	Ingevity South Carolina, LLC	31/01/2008	2111433	08728736.3	
2111648	Cree, Inc.	20/11/2007	2111648	07840092.6	
2114005	TOYOTA JIDOSHA KABUSHIKI KAISHA	22/12/2008	2114005	08870692.4	

3984	(No. 2387)	Patents Office Journal	(12/06/2019)		
2117383	Zimmer, Günther Zimmer, Martin	13/02/2008	2117383	08715486.0	German
2124233	Kabushiki Kaisha Toshiba	05/03/2008	2124233	08720332.9	
2124521	Knauf Insulation	25/01/2007	2124521	07704142.4	
2127741	Nippon Shokubai Co., Ltd.	03/03/2008	2127741	08721210.6	
2128714	Canon Kabushiki Kaisha	26/05/2009	2128714	09161177.2	
2129487	Panasonic Intellectual Property Management Co., Ltd.	27/03/2008	2129487	08727171.4	
2130013	Coatings Foreign IP Co. LLC	21/02/2008	2130013	08725875.2	
2130014	Coatings Foreign IP Co. LLC	28/03/2008	2130014	08742374.5	
2131160	Deere & Company	03/06/2009	2131160	09161836.3	
2131686	Wenger Manufacturing, Inc.	01/02/2008	2131686	08728822.1	
2136906	New York Air Brake LLC	08/02/2008	2136906	08729435.1	
2146454	Harris Global Communications, Inc.	14/07/2009	2146454	09009180.2	
2148020	Fritz Egger GmbH & Co. OG	01/06/2002	2148020	09172833.7	German
2148405	Makita Corporation	21/07/2009	2148405	09009433.5	
2150809	PharmaFluidics NV	23/05/2008	2150809	08759970.0	
2156960	CANON KABUSHIKI KAISHA	21/08/2009	2156960	09168408.4	
2161555	KANSAI PAINT CO., LTD.	19/06/2008	2161555	08765757.3	
2163769	Garrett Transportation I Inc.	31/08/2009	2163769	09169100.6	
2169242	Nuovo Pignone S.p.A.	25/09/2009	2169242	09171294.3	
2169934	Brother Kogyo Kabushiki Kaisha	14/09/2009	2169934	09252182.2	
2170604	Dow Global Technologies LLC	14/07/2008	2170604	08781795.3	
2170993	Dow Global Technologies LLC	11/07/2008	2170993	08781700.3	
2174223	Microsoft Technology Licensing, LLC	30/05/2008	2174223	08769911.2	
2175778	Erasmus University Medical Center Rotterdam	25/06/2008	2175778	08766842.2	
2178507	ratiopharm GmbH	23/07/2008	2178507	08785000.4	
2180826	Siemens Healthcare Diagnostics Inc.	27/08/2008	2180826	08829865.8	
2182180	TLV Co., Ltd.	04/08/2008	2182180	08792161.5	
2183024	Novocure Ltd.	13/08/2008	2183024	08789083.6	
2184576	Hitachi, Ltd.	25/07/2008	2184576	08828400.5	
2184939	Nokia Solutions and Networks Oy	07/11/2008	2184939	08019533.2	
2187165	The University of Tokyo Kawasaki Jukogyo Kabushiki Kaisha	25/08/2008	2187165	08790497.5	
2187180	Krohne AG	03/11/2009	2187180	09013801.7	German
2188498	General Electric Company	20/06/2008	2188498	08829349.3	
2188505	Unifrax I LLC	29/08/2008	2188505	08795691.8	

2188848	LG Innotek Co., Ltd.	07/08/2008	2188848	08793109.3	
2191610	Dis-Ent, LLC	08/09/2008	2191610	08799288.9	
2192809	Samsung Electronics Co., Ltd.	25/11/2009	2192809	09177027.1	
2194679	Alibaba Group Holding Limited	26/09/2007	2194679	07816977.8	
2195593	Vetter Pharma-Fertigung GmbH & Co. KG	09/08/2008	2195593	08785476.6	German
2195910	SEW-EURODRIVE GmbH & Co. KG	14/08/2008	2195910	08801582.1	German
2197265	DeLaval Holding AB	07/10/2008	2197265	08837086.1	
2198465	OSRAM Opto Semiconductors GmbH	11/09/2008	2198465	08801322.2	German
2199585	TOYOTA JIDOSHA KABUSHIKI KAISHA	16/10/2008	2199585	08840572.5	
2204053	QUALCOMM Incorporated	26/09/2008	2204053	08833064.2	
2204484	Kaneka Corporation	20/10/2008	2204484	08841745.6	
2204999	Nippon Telegraph and Telephone Corporation	23/10/2008	2204999	08844283.5	
2205949	DEKA Products Limited Partnership	03/11/2008	2205949	08845082.0	
2208284	TEXAS INSTRUMENTS DEUTSCHLAND GMBH	10/10/2008	2208284	08838266.8	
2213260	The Gillette Company	07/10/2004	2213260	10005202.6	
2213771	FUJIFILM Corporation	21/08/2008	2213771	08854900.1	
2219500	BSH Hausgeräte GmbH	20/11/2008	2219500	08856702.9	German
2220751	Valeo Equipements Electriques Moteur	17/12/2008	2220751	08864396.0	French
2227915	Cirrus Logic International Semiconductor Limited	08/12/2008	2227915	08856507.2	
2230975	MERIM SERVICES	14/11/2008	2230975	08871970.3	French
2231850	3M Innovative Properties Company	20/11/2008	2231850	08872970.2	
2232559	STMicroelectronics N.V.	25/09/2008	2232559	08833488.3	
2234785	Tetra Laval Holdings & Finance S.A.	26/11/2008	2234785	08862877.1	
2235576	Sarcos LC	12/01/2009	2235576	09700944.3	
2235891	InterDigital CE Patent Holdings	20/01/2009	2235891	09704774.0	French
2235992	Qualcomm Incorporated	12/12/2008	2235992	08865616.0	
2238191	Rhodia Opérations	22/01/2009	2238191	09706132.9	French
2239708	Samsung Electronics Co., Ltd.	23/12/2009	2239708	09180541.6	
2243026	TOYOTA JIDOSHA KABUSHIKI KAISHA	10/02/2009	2243026	09709983.2	
2243177	Global OLED Technology LLC	27/01/2009	2243177	09705052.0	
2244111	Hopnic Laboratory Co., Ltd. Mitsui Chemicals, Inc.	06/02/2009	2244111	09708854.6	

2244399	Panasonic Intellectual Property Management Co., Ltd.	05/02/2009	2244399	09709292.8	
2245949	Maidenform LLC	20/01/2010	2245949	10250088.1	
2247243	Baxter International Inc. Baxter Healthcare SA	27/01/2009	2247243	09705001.7	
2248364	HMD global Oy	11/12/2008	2248364	08861670.1	
2248427	Meiji Co., Ltd.	16/01/2009	2248427	09702491.3	
2249471	Daikin Industries, Ltd.	03/02/2009	2249471	09715461.1	
2249670	R.J.Reynolds Tobacco Company	27/01/2009	2249670	09708326.5	
2249744	W.L. Gore & Associates, Inc.	09/01/2009	2249744	09700293.5	
2250452	Delta T, LLC	03/02/2009	2250452	09708636.7	
2251652	Panasonic Corporation	24/02/2009	2251652	09717738.0	
2253075	Intel Corporation	11/03/2009	2253075	09718665.4	
2254260	Qualcomm Incorporated	22/08/2002	2254260	10176673.1	
2255357	Fraunhofer-Gesellschaft zur Förderung der angewandten Forschung e.V.	10/03/2009	2255357	09723599.8	
2255531	Cisco Technology, Inc.	16/02/2009	2255531	09710550.6	
2258885	Nippon Steel & Sumikin Stainless Steel Corporation	26/03/2009	2258885	09726090.5	
2263164	Amazon Technologies, Inc.	31/03/2009	2263164	09839809.2	
2264379	Daikin Industries, Ltd.	25/02/2009	2264379	09715295.3	
2265626	LCB Pharma Inc	18/03/2009	2265626	09722452.1	
2265677	Battelle Memorial Institute	09/04/2009	2265677	09729888.9	
2266491	Align Technology, Inc.	29/11/1999	2266491	10179669.6	
2266833	Tesla, Inc.	09/06/2010	2266833	10005953.4	
2267580	BlackBerry Limited	25/06/2009	2267580	09163804.9	
2270051	Honjo, Tasuku Ono Pharmaceutical Co., Ltd.	22/01/2004	2270051	10176748.1	
2272092	QUALCOMM Incorporated	03/04/2009	2272092	09728811.2	
2275799	Luminex Corporation	13/08/2004	2275799	10183127.9	
2278309	ams international AG	21/07/2009	2278309	09290580.1	
2280263	Hein, Herr Thomas Diemer, Herr Andreas	20/07/2010	2280263	10170101.9	German
2282312	AVAGO TECHNOLOGIES INTERNATIONAL SALES PTE. LIMITED	23/07/2010	2282312	10170648.9	
2284529	Olympus NDT	28/07/2010	2284529	10171040.8	
2284622	HP Printing Korea Co., Ltd.	14/07/2010	2284622	10169554.2	

2284703	Sony Interactive Entertainment Inc.	25/09/2006	2284703	10187462.6	
2284730	Robert Bosch GmbH	05/08/2010	2284730	10172022.5	
2284886	LSI Corporation	15/06/2010	2284886	10165969.6	
2286963	Toyota Motor East Japan, Inc. Tohoku University	21/05/2010	2286963	10749589.7	
2287195	Novo Nordisk A/S Innate Pharma Universita di Genova	01/07/2005	2287195	10178924.6	
2288582	Petracem S.R.L.	16/09/2008	2288582	08807669.0	
2293324	Panasonic Intellectual Property Management Co., Ltd.	18/06/2009	2293324	09769870.8	
2293809	Therimunex Pharmaceuticals, Inc.	24/04/2009	2293809	09735391.6	
2298011	QUALCOMM Incorporated	29/05/2009	2298011	09755796.1	
2299681	HP Printing Korea Co., Ltd.	08/09/2010	2299681	10175783.9	
2306090	Mitsubishi Hitachi Power Systems, Ltd.	30/09/2010	2306090	10184457.9	
2309929	Koninklijke Philips N.V.	22/07/2009	2309929	09786682.6	
2310923	Hurco Companies, Inc.	05/06/2009	2310923	09789762.3	
2311538	Nintendo Co., Ltd.	08/12/2009	2311538	09178368.8	
2313115	Jordan, Rainer Luxenhofer, Robert Kabanov, Alexander V.	26/06/2009	2313115	09769029.1	
2320049	Mitsubishi Hitachi Power Systems, Ltd.	10/11/2010	2320049	10190759.0	
2320597	Alcatel Lucent	05/02/2007	2320597	11000657.4	
2321928	Microsoft Technology Licensing, LLC	16/10/2009	2321928	09829541.3	
2322777	Iveco S.p.A.	17/11/2009	2322777	09425469.5	
2323080	Fujitsu Limited	05/08/2008	2323080	08792225.8	
2326310	Assertio Therapeutics, Inc.	14/08/2009	2326310	09791546.6	
2328124	AGFA NV	25/11/2009	2328124	09014653.1	
2328851	Technip France S.A.S.	18/09/2009	2328851	09785143.0	
2328974	E. I. du Pont de Nemours and Company	31/08/2009	2328974	09792099.5	
2331484	SILICON FERTILISERS PTY LTD	07/10/2009	2331484	09818681.0	
2331921	Coatings Foreign IP Co. LLC	25/09/2009	2331921	09792997.0	
2332010	Microvision, Inc.	21/08/2009	2332010	09818174.6	
2335157	Microsoft Technology Licensing, LLC	30/09/2009	2335157	09818470.8	
2336488	Wirtgen GmbH	27/10/2010	2336488	10188978.0	German
2336489	Wirtgen GmbH	27/10/2010	2336489	10188979.8	German
2338298	QUALCOMM Incorporated	10/09/2009	2338298	09792391.6	
2338663	CQLT SaarGummi Technologies S.à.r.l.	10/12/2010	2338663	10015500.1	German

3988	(No. 2387)	Patents Office Journal	(12/06/2019)		
2340094	Air Products and Chemicals, Inc.	20/10/2009	2340094	09744453.3	
2342619	NXP B.V.	26/09/2009	2342619	09787307.9	
2345292	QUALCOMM Incorporated	23/09/2009	2345292	09792915.2	
2345792	Kabushiki Kaisha Toshiba	27/10/2009	2345792	09824723.2	
2348613	Mitsubishi Electric Corporation	30/01/2009	2348613	09827390.7	
2351912	Siemens Aktiengesellschaft	12/01/2010	2351912	10000222.9	
2353559	3M Innovative Properties Company	09/02/2004	2353559	10178717.4	
2353842	Krones AG	26/01/2011	2353842	11152169.6	German
2355337	Huawei Technologies Co., Ltd.	28/12/2010	2355337	10197150.5	
2355886	MEDTRONIC CRYOCATH LP	09/11/2009	2355886	09825677.9	
2356958	Kao Corporation	04/12/2009	2356958	09831865.2	
2359159	Saab AB	11/11/2008	2359159	08878158.8	
2359890	Darr, Allan J. Petersen, Einar Gjaldbak	21/02/2011	2359890	11155168.5	
2361995	Nippon Steel & Sumitomo Metal Corporation	13/08/2010	2361995	10809927.6	
2363781	Ingenico Group	11/02/2011	2363781	11154248.6	French
2370554	Corbion Biotech, Inc.	30/11/2009	2370554	09829850.8	
2372314	NXP B.V.	31/03/2011	2372314	11160629.9	
2374083	The Cleveland Clinic Foundation	04/12/2009	2374083	09802058.9	
2374172	Koninklijke Philips N.V.	30/11/2009	2374172	09774966.7	
2374506	Varian Medical Systems Particle Therapy GmbH	25/02/2011	2374506	11156003.3	German
2375195	Mitsubishi Electric Corporation	30/06/2009	2375195	09836198.3	
2375909	Hormel Foods Corporation	21/10/2009	2375909	09748888.6	
2376015	Vivos Therapeutics, Inc.	14/10/2009	2376015	09821148.5	
2376839	Electrolux Home Products, Inc.	13/01/2010	2376839	10700652.0	
2376891	Livermore Instruments Inc.	16/11/2009	2376891	09832301.7	
2377782	RSL Logistik GmbH & Co. KG	12/04/2011	2377782	11162065.4	German
2377834	Prospective Concepts AG	16/04/2010	2377834	10400026.0	German
2380328	Eads Secure Networks	23/12/2009	2380328	09806106.2	French
2380331	Telefonaktiebolaget LM Ericsson (publ)	23/12/2008	2380331	08875123.5	
2381132	WITTENSTEIN SE	14/03/2011	2381132	11158119.5	German
2381182	LG Electronics Inc.	23/12/2009	2381182	09835262.8	
2384401	Eaton Corporation	29/01/2010	2384401	10711931.5	
2388083	NTN Corporation	30/11/2009	2388083	09834681.0	
2388684	BROTHER KOGYO KABUSHIKI KAISHA	25/03/2011	2388684	11159861.1	

2389118	Synthes GmbH	26/01/2010	2389118	10702783.1	
2391877	Light Matter Interaction Inc.	02/02/2010	2391877	10735472.2	
2392975	Patek Philippe SA Genève	21/01/2011	2392975	11000462.9	French
2393764	Low Impact Limited	04/02/2010	2393764	10738794.6	
2394315	Beijing Xiaomi Mobile Software Co., Ltd.	28/01/2010	2394315	10703699.8	
2398410	OrthoPediatrics Corp.	23/02/2010	2398410	10744450.7	
2403512	Regenera Pharma Ltd.	04/03/2010	2403512	10710912.6	
2403526	GlaxoSmithKline Biologicals SA	08/03/2010	2403526	10710661.9	
2404396	QUALCOMM Incorporated	02/03/2010	2404396	10708847.8	
2405289	Fujikura Ltd.	03/03/2010	2405289	10748511.2	
2407972	LG Electronics Inc.	01/03/2011	2407972	11001690.4	
2409663	AESFULAP AG	12/07/2011	2409663	11173708.6	German
2410381	CANON KABUSHIKI KAISHA	13/07/2011	2410381	11005737.9	
2410500	NEC Corporation	15/03/2010	2410500	10753596.5	
2411028	Moleac Pte Ltd.	29/03/2010	2411028	10756446.0	
2413812	Ethicon, Inc.	30/03/2010	2413812	10711810.1	
2416225	Ricoh Company, Ltd.	03/08/2011	2416225	11176412.2	
2416475	Hamilton Sundstrand Corporation	12/07/2011	2416475	11005705.6	
2416835	3M Innovative Properties Company	22/03/2010	2416835	10762088.2	
2417342	Tenneco Inc.	08/04/2010	2417342	10762429.8	
2421416	LG Electronics Inc.	08/03/2010	2421416	10767217.2	
2423066	Hitachi, Ltd.	23/08/2011	2423066	11178433.6	
2423446	Garrett Transportation I Inc.	12/08/2011	2423446	11177475.8	
2423815	Hamilton Sundstrand Corporation	30/08/2011	2423815	11179431.9	
2424907	ExxonMobil Chemical Patents Inc.	15/04/2010	2424907	10714152.5	
2426803	Fuji Electric Co., Ltd.	31/08/2011	2426803	11179566.2	
2427739	Halliburton Energy Services, Inc.	27/05/2010	2427739	10781214.1	
2433617	Henkel AG & Co. KGaA	09/09/2011	2433617	11180715.2	German
2434343	Fujifilm Corporation	28/09/2011	2434343	11183085.7	
2435146	Microsoft Technology Licensing, LLC	22/05/2010	2435146	10781049.1	
2435648	RIGO, Sandra	19/04/2010	2435648	10714277.0	
2435920	Oracle Israel Ltd.	27/05/2010	2435920	10780144.1	
2437312	Hosiden Corporation	22/09/2011	2437312	11007708.8	
2438269	Murray, Richard Lee, Jr. National Oilwell Varco, L.P.	26/05/2010	2438269	10783819.5	
2442055	Daikin Industries, Ltd.	04/06/2010	2442055	10785922.5	
2442622	Pioneer Corporation	11/06/2009	2442622	09845757.5	

3990	(No. 2387)	Patents Office Journal	(12/06/2019)		
2443263	Gestamp HardTech AB	09/06/2010	2443263	10789809.0	
2443877	BlackBerry Limited	18/06/2010	2443877	10732548.2	
2445556	Becton Dickinson France	24/06/2009	2445556	09786151.2	
2445838	Université Claude Bernard Lyon I Centre National de la Recherche Scientifique	21/06/2010	2445838	10734288.3	French
2449387	Wobben Properties GmbH	23/06/2010	2449387	10727410.2	German
2450202	TRW Automotive U.S. LLC	03/11/2011	2450202	11008759.0	
2450423	Nihon Parkerizing Co., Ltd.	28/06/2010	2450423	10793827.6	
2453265	Dai Nippon Printing Co., Ltd.	02/07/2010	2453265	10797083.2	
2453610	LG Electronics Inc.	06/07/2010	2453610	10797292.9	
2453927	Rigshospitalet Technical University of Denmark	16/07/2010	2453927	10799456.8	
2454015	Southwest Nanotechnologies, Inc.	16/07/2010	2454015	10800624.8	
2454020	Koninklijke Philips N.V.	12/07/2010	2454020	10740362.8	
2455689	LG Electronics Inc.	17/11/2011	2455689	11189549.6	
2456291	Rübsamen & Herr Elektrobau GmbH	08/10/2011	2456291	11008161.9	German
2456545	Metal Membranes.com B.V.	20/07/2010	2456545	10742598.5	
2456822	Arkema France	01/07/2010	2456822	10742016.8	French
2456842	Inovia Materials LLC	16/11/2010	2456842	10855992.3	
2457694	HILTI Aktiengesellschaft	09/11/2011	2457694	11188467.2	German
2457753	Schaeffler Technologies AG & Co. KG	01/08/2011	2457753	11176069.0	German
2458629	Nikon Corporation	21/07/2010	2458629	10802081.9	
2460833	EMS-Patent AG	08/11/2010	2460833	10014382.5	German
2462788	Methode Electronics, Inc.	30/11/2009	2462788	09848136.9	
2467099	Synthes GmbH	19/08/2010	2467099	10809110.9	
2467776	Qualcomm Incorporated	18/08/2010	2467776	10750200.7	
2469387	Nintendo Co., Ltd.	04/02/2011	2469387	11153292.5	
2469746	Samsung Electronics Co., Ltd.	03/03/2009	2469746	12160589.3	
2470625	Phillips 66 Company	03/08/2010	2470625	10812471.0	
2472918	ZTE Corporation	25/01/2010	2472918	10814891.7	
2475077	Safran Landing Systems	28/12/2011	2475077	11195859.1	French
2476137	Global OLED Technology LLC	01/09/2010	2476137	10760153.6	
2477074	Ricoh Company, Ltd.	17/01/2012	2477074	12151344.4	
2478004	Protelix, Inc.	17/09/2010	2478004	10817948.2	
2479765	UD Trucks Corporation	15/09/2010	2479765	10817206.5	
2479971	NEC Corporation	20/07/2010	2479971	10816826.1	

2480425	Mahindra Navistar Automotives Limited	24/09/2009	2480425	09849721.7	
2482152	Niko NV	23/01/2012	2482152	12152110.8	
2483517	Halliburton Energy Services, Inc.	28/09/2009	2483517	09849920.5	
2484910	Daikin Industries, Ltd.	30/09/2010	2484910	10820160.9	
2485056	Hitachi High-Technologies Corporation	08/09/2010	2485056	10820316.7	
2486977	Mitsubishi Chemical Corporation	10/09/2010	2486977	10821828.0	
2488719	Baker Hughes, a GE company, LLC	08/10/2010	2488719	10823876.7	
2489128	The Trustees of Columbia University in the City of New York Commissariat à l'Energie Atomique	12/10/2010	2489128	10823941.9	
2490325	Intersil Americas Inc.	24/05/2011	2490325	11167330.7	
2492872	Kabushiki Kaisha Sega Doing Business As Sega Corporation	30/11/2010	2492872	10835868.0	
2493809	Canon Kabushiki Kaisha	13/01/2011	2493809	11732787.4	
2494248	Plastiflex Group	22/10/2010	2494248	10787896.9	
2495346	Nippon Steel & Sumitomo Metal Corporation	12/07/2010	2495346	10826403.7	
2496533	Saint-Gobain Weber	27/10/2010	2496533	10787858.9	French
2496636	Covestro Deutschland AG	03/11/2010	2496636	10773623.3	German
2499347	Tenneco Inc.	11/11/2010	2499347	10779634.4	
2500656	General Electric Company	07/03/2012	2500656	12158500.4	
2502330	NXP USA, Inc.	03/11/2010	2502330	10831985.6	
2503776	Teledyne e2v Semiconductors SAS	19/03/2012	2503776	12160049.8	French
2504196	Hochschule Kaiserslautern University of Applied Sciences Universität des Saarlandes Hochschule Fresenius	27/11/2010	2504196	10795213.7	German
2505232	HILTI Aktiengesellschaft	09/02/2012	2505232	12154595.8	German
2505941	Daikin Industries, Ltd.	10/09/2010	2505941	10832784.2	
2509075	Rambus Inc.	13/12/2007	2509075	12171619.5	
2509583	Merck Patent GmbH	06/12/2010	2509583	10787035.4	
2511273	HIVIH	15/04/2011	2511273	11305458.9	
2512307	Saint-Gobain Performance Plastics Corporation	17/12/2010	2512307	10838316.7	
2512819	Giesecke+Devrient Currency Technology GmbH	10/12/2010	2512819	10795236.8	German
2513783	Intel Corporation	27/10/2010	2513783	10841429.3	

3992	(No. 2387)	<i>Patents Office Journal</i>		(12/06/2019)	
2515314	TOYOTA JIDOSHA KABUSHIKI KAISHA	17/12/2009	2515314	09852283.2	
2515643	Huntsman Petrochemical LLC	21/12/2010	2515643	10840067.2	
2516195	Valeo Systèmes Thermiques	22/12/2010	2516195	10809276.8	French
2516502	International Business Machines Corporation Agency for Science, Technology and Research	23/12/2010	2516502	10839917.1	
2516746	Soiltec GmbH BASF SE	21/12/2010	2516746	10842729.5	
2517890	Yupo Corporation	22/12/2010	2517890	10839497.4	
2518792	GS Yuasa International Ltd.	22/12/2010	2518792	10839439.6	
2519070	National Institute of Information and Communications Technology	15/12/2010	2519070	10838911.5	
2519145	Gambro Lundia AB	22/12/2010	2519145	10799034.3	
2519867	Boxlight Corporation	27/12/2010	2519867	10801074.5	
2521868	Punch Flybrid Limited	17/12/2010	2521868	10801241.0	
2522043	Greatbatch Ltd.	13/10/2010	2522043	10824023.5	
2524941	KANEKA CORPORATION	14/01/2011	2524941	11732809.6	
2525451	NGK SPARK PLUG CO., LTD.	23/08/2010	2525451	10842975.4	
2525667	Intercontinental Great Brands LLC	01/10/2010	2525667	10844138.7	
2525831	Ascendis Pharma A/S	21/01/2011	2525831	11702163.4	
2526320	Robert Bosch GmbH	13/01/2011	2526320	11700267.5	German
2526601	Eaton Intelligent Power Limited	20/01/2011	2526601	11701497.7	German
2528093	Sony Corporation	28/12/2010	2528093	10842233.8	
2528955	Monosol, LLC	28/01/2011	2528955	11737691.3	
2529609	Huf Hülsbeck & Fürst GmbH & Co. KG	26/01/2011	2529609	11704943.7	German
2532793	Sumitomo (S.H.I.) Construction Machinery Co., Ltd.	06/06/2012	2532793	12004312.0	
2533625	CNH Industrial Belgium nv	11/02/2011	2533625	11702669.0	
2533751	Imerys Filtration Minerals, Inc.	25/01/2011	2533751	11742604.9	
2534121	Daikin Industries, Ltd.	08/02/2011	2534121	11705706.7	
2534326	Karl Simon GmbH & Co. Kg	13/12/2010	2534326	10790951.7	German
2535223	Pommier Italia S.r.l.	06/06/2012	2535223	12171086.7	French
2535423	Life Technologies Corporation	13/02/2008	2535423	12175432.9	
2537107	Cardiac Pacemakers, Inc.	10/02/2011	2537107	11704386.9	
2537708	STANLEY ELECTRIC CO., LTD.	21/06/2012	2537708	12004678.4	

2539370	SANOFI	22/02/2011	2539370	11714394.1	
2541131	STANLEY ELECTRIC CO., LTD.	29/06/2012	2541131	12004871.5	
2541908	LG Electronics Inc.	23/02/2011	2541908	11747639.0	
2542874	Garrett Thermal Systems Limited	03/03/2011	2542874	11750088.4	
2543239	GSI Helmholtzzentrum für Schwerionenforschung GmbH	05/03/2010	2543239	10716754.6	German
2544679	Omeros Corporation	10/03/2011	2544679	11754087.2	
2545249	Total E&P Canada Ltd. ConocoPhillips Company	01/03/2011	2545249	11753805.8	
2546876	Cree, Inc.	13/07/2012	2546876	12176354.4	
2548100	Koninklijke Philips N.V.	08/03/2011	2548100	11711675.6	
2548549	SHISEIDO COMPANY, LTD.	24/01/2011	2548549	11755963.3	
2548619	RAS Technology S.à.r.l.	17/07/2012	2548619	12176665.3	French
2549629	Hitachi Industrial Equipment Systems Co., Ltd.	26/06/2012	2549629	12173585.6	
2550240	Sika Technology AG	21/03/2011	2550240	11710728.4	German
2550806	Massachusetts Institute of Technology Universidade Do Porto	25/03/2011	2550806	11713559.0	
2550814	Opanga Networks, Inc.	18/03/2011	2550814	11759955.5	
2551542	Aktiebolaget SKF	10/07/2012	2551542	12175802.3	
2552477	GlaxoSmithKline Biologicals S.A.	01/04/2011	2552477	11717765.9	
2553370	Linde Aktiengesellschaft	25/03/2011	2553370	11714930.2	German
2555402	Siemens Aktiengesellschaft	02/08/2011	2555402	11176313.2	German
2556321	Bestrong International Limited	24/02/2011	2556321	11765022.6	
2556872	NGK Insulators, Ltd.	30/03/2011	2556872	11765668.6	
2558209	Air Products and Chemicals, Inc.	08/04/2011	2558209	11714026.9	
2558817	Empire Technology Development LLC	30/09/2010	2558817	10857987.1	
2562045	STANLEY ELECTRIC CO., LTD.	24/08/2012	2562045	12006046.2	
2562083	Airbus Operations Limited	03/08/2012	2562083	12179222.0	
2563484	Ateliers LR Etanco	28/04/2011	2563484	11723518.4	French
2563501	Evoqua Water Technologies LLC	28/03/2011	2563501	11775415.0	
2564781	Samsung Electronics Co., Ltd.	31/08/2012	2564781	12182627.5	
2567838	BPW Bergische Achsen KG	07/09/2012	2567838	12183501.1	German
2570238	Deerfos Co., Ltd	28/11/2011	2570238	11009399.4	
2570255	United Technologies Corporation	13/07/2012	2570255	12176253.8	
2570458	MITSUBISHI ENGINEERING- PLASTICS CORPORATION	07/01/2010	2570458	12196270.8	
2570785	Konica Minolta Optics, Inc.	15/03/2011	2570785	11780332.0	

3994	(No. 2387)	<i>Patents Office Journal</i>			(12/06/2019)	
2572475	Hewlett Packard Enterprise Development LP	20/05/2010	2572475	10851886.1		
2572924	SAP SE	14/08/2012	2572924	12005872.2		
2573211	Covestro Deutschland AG	20/09/2012	2573211	12185149.7	German	
2573474	Panasonic Intellectual Property Management Co., Ltd.	22/09/2011	2573474	11182345.6		
2574382	Sony Interactive Entertainment Europe Limited	29/09/2011	2574382	11183258.0		
2574967	Acer Incorporated	01/12/2011	2574967	11191495.8		
2575327	Orange	25/09/2012	2575327	12185912.8	French	
2575478	Yissum Research Development Company of the Hebrew University of Jerusalem Ltd.	31/05/2011	2575478	11730759.5		
2577985	Nokia Technologies Oy	01/06/2010	2577985	10852467.9		
2579111	CASIO COMPUTER CO., LTD.	26/09/2012	2579111	12186035.7		
2581500	Hitachi Construction Machinery Co., Ltd.	06/07/2010	2581500	10852914.0		
2581548	Halliburton Manufacturing & Services Limited	19/09/2012	2581548	12185084.6		
2582094	LG Electronics Inc.	10/06/2010	2582094	10852933.0		
2582265	Johnson & Johnson Consumer Inc.	16/06/2011	2582265	11728139.4		
2582418	Koninklijke Philips N.V.	10/06/2011	2582418	11729740.8		
2585112	Purdue Research Foundation	23/06/2011	2585112	11798931.9		
2586269	Zipit Wireless, Inc.	29/12/2010	2586269	10850411.9		
2586500	Kidde Technologies, Inc.	25/10/2012	2586500	12190069.0		
2586993	United Technologies Corporation	22/10/2012	2586993	12189456.2		
2587123	SL Corporation	26/10/2012	2587123	12007370.5		
2588069	Nestec S.A. L'Oréal	28/06/2011	2588069	11727487.8		
2588072	Nestec S.A. L'Oréal	28/06/2011	2588072	11734042.2		
2588370	Safran Nacelles Safran Aircraft Engines	17/06/2011	2588370	11735898.6	French	
2588832	Centrisys Corporation	30/06/2011	2588832	11801464.6		
2589865	Taiyo Nippon Sanso Corporation	28/06/2011	2589865	11800826.7		
2590967	UDC Ireland Limited	07/07/2011	2590967	11803227.5		
2594885	TitanX Holding AB	10/06/2011	2594885	12195825.0		
2595076	Tata Consultancy Services Limited	19/03/2012	2595076	12160096.9		

2596527	Ferro Corporation	22/07/2011	2596527	11810478.5	
2598067	Boston Scientific Scimed, Inc.	25/07/2011	2598067	11738143.4	
2598711	GTK AS	19/07/2011	2598711	11812825.5	
2600007	ROBERT BOSCH GMBH	17/10/2012	2600007	12188786.3	German
2600087	Panasonic Corporation	28/07/2011	2600087	11812078.1	
2600646	ZTE Corporation	10/06/2011	2600646	11817715.3	
2601075	HELLA GmbH & Co. KGaA	03/08/2010	2601075	10778831.7	German
2603268	Fraunhofer-Gesellschaft zur Förderung der angewandten Forschung e.V.	08/08/2011	2603268	11741221.3	
2608879	Covestro Deutschland AG	22/08/2011	2608879	11754633.3	German
2609507	Ab Initio Technology LLC	25/08/2011	2609507	11752055.1	
2609696	Marvell World Trade Ltd.	10/02/2011	2609696	11820292.8	
2610016	General Electric Company	13/12/2012	2610016	12197047.9	
2610972	Unison Industries LLC	13/12/2012	2610972	12196994.3	
2612202	E. I. du Pont de Nemours and Company	01/09/2011	2612202	11760615.2	
2612477	Altera Corporation	25/08/2011	2612477	11822374.2	
2613694	Neuronetrix Solutions, LLC	09/09/2011	2613694	11824156.1	
2615431	Hitachi Automotive Systems, Ltd.	19/08/2011	2615431	11823396.4	
2615525	Biosense Webster (Israel) Ltd.	10/01/2013	2615525	13150837.6	
2615673	SK Innovation Co., Ltd.	09/09/2011	2615673	11823822.9	
2615998	Biocad Médical Inc.	13/09/2011	2615998	11813556.5	
2616391	CarbonX IP B.V.	16/09/2011	2616391	11760877.8	
2617942	Mitsubishi Hitachi Power Systems, Ltd.	08/09/2011	2617942	11825071.1	
2618193	Solifos AG, Fiber Optic Systems Città Metropolitana di Milano	11/09/2012	2618193	12183953.4	
2618516	LG Electronics Inc.	19/09/2011	2618516	11825494.5	
2618730	St. Jude Medical Atrial Fibrillation Division Inc.	13/09/2011	2618730	11848900.4	
2620280	EVERETT DENNISON CORPORATION	09/04/2003	2620280	13164767.9	
2620697	Stanley Electric Co., Ltd.	21/01/2013	2620697	13000291.8	
2620822	Rolls-Royce plc	07/01/2013	2620822	13150397.1	
2621392	Wama B.V.	28/09/2011	2621392	11785145.1	
2622271	Fussell, Simon	08/07/2011	2622271	11731054.0	
2622818	LG Electronics Inc.	29/09/2011	2622818	11829591.4	
2623592	NB Health Laboratory Co. Ltd.	27/09/2011	2623592	11829086.5	
2623744	Mitsubishi Hitachi Power Systems, Ltd. Tohoku Electric Power Co., Inc.	10/08/2011	2623744	11828634.3	
2623834	Iveco Magirus AG	02/02/2012	2623834	12153610.6	

3996	(No. 2387)	Patents Office Journal	(12/06/2019)		
2626230	Honda Motor Co., Ltd.	07/02/2013	2626230	13154354.8	
2626344	Mitsui Chemicals, Inc.	05/10/2011	2626344	11830714.9	
2626374	Nippon Shokubai Co., Ltd.	05/10/2011	2626374	11830719.8	
2627250	Juno Medical LLC	05/10/2011	2627250	11832186.8	
2628852	DAK Acélszerkezeti Kft.	17/12/2012	2628852	12197620.3	
2629801	Seattle Genetics, Inc.	20/10/2011	2629801	11835158.4	
2629821	Fisher & Paykel Healthcare Limited	18/10/2011	2629821	11834691.5	
2630431	Alfa Laval Corporate AB	03/10/2011	2630431	11834714.5	
2631291	OliX Pharmaceuticals, Inc.	07/09/2011	2631291	11834541.2	
2632605	OLBRICH GmbH	06/10/2011	2632605	11764571.3	German
2632711	E. I. du Pont de Nemours and Company	27/10/2011	2632711	11781921.9	
2632778	Valeo Wischersysteme GmbH	20/10/2011	2632778	11781764.3	
2632844	Anheuser-Busch InBev S.A.	28/10/2011	2632844	11776440.7	
2633293	Varian Medical Systems, Inc.	09/09/2011	2633293	11836805.9	
2634542	VEGA Grieshaber KG	02/03/2012	2634542	12157961.9	German
2635254	The John Hopkins University	04/11/2011	2635254	11838873.5	
2635394	Botek Präzisionsbohrtechnik GmbH	03/11/2011	2635394	11833585.0	German
2637499	Biomedinnovations, LLC	23/11/2010	2637499	10859517.4	
2638149	Georgetown University	11/11/2011	2638149	11839723.1	
2638738	Cisco Technology, Inc.	09/11/2011	2638738	11788941.0	
2638900	Tets, Viktor Veniaminovich TETS, Georgy Viktorovich	10/10/2011	2638900	11839641.5	
2638947	NGK Insulators, Ltd.	15/02/2013	2638947	13155400.8	
2640516	D-Tek S.A.	16/11/2011	2640516	11791491.1	
2641272	The Government of the United States of America as represented by the Secretary of the Navy	10/11/2011	2641272	11842108.0	
2643977	Skype	23/12/2011	2643977	11802436.3	
2644502	The Boeing Company	22/03/2013	2644502	13160543.8	
2645897	Footbalance System Oy	18/11/2011	2645897	11799455.8	
2646434	Portola Pharmaceuticals, Inc.	05/12/2011	2646434	11794108.8	
2646761	Carrier Corporation	22/07/2011	2646761	11740772.6	
2647299	Japan Tobacco, Inc.	26/03/2012	2647299	12764151.2	
2648237	Viavi Solutions Inc.	21/03/2013	2648237	13160439.9	
2649702	The Boeing Company	23/09/2011	2649702	11770241.5	
2650034	Galemed Corporation	14/01/2013	2650034	13151190.9	
2650124	ASAHI KASEI KABUSHIKI KAISHA	08/12/2011	2650124	11846133.4	
2650570	ZF Friedrichshafen AG	30/09/2009	2650570	13175539.9	German

2651066	Datang Mobile Communications Equipment Co., Ltd	08/11/2011	2651066	11839681.1	
2651482	Koninklijke Philips N.V.	09/12/2011	2651482	11813562.3	
2652655	Aalborg Universitet Region Nordjylland	06/12/2011	2652655	11808568.7	
2654878	Abiomed, Inc.	16/12/2011	2654878	11850382.0	
2655698	Luxembourg Institute of Science and Technology	23/12/2010	2655698	10793274.1	
2655872	Biagini, Livio	22/12/2011	2655872	11819118.8	
2656837	Universidad del Pais Vasco Universidad Miguel Hernández De Elche	20/12/2011	2656837	11851122.9	
2656867	Boehringer Ingelheim Pharma GmbH & Co. KG	04/04/2007	2656867	13176790.7	German
2659187	Rolls-Royce North American Technologies, Inc.	27/12/2011	2659187	11852405.7	
2659458	TomTom Global Content B.V.	30/12/2010	2659458	10798148.2	
2659871	Kao Corporation	22/12/2011	2659871	11853306.6	
2660511	Mitsubishi Hitachi Power Systems, Ltd.	20/12/2011	2660511	11852897.5	
2661219	Koninklijke Philips N.V.	04/01/2012	2661219	12700527.0	
2661937	Huawei Technologies Co., Ltd.	14/02/2012	2661937	12746606.8	
2663707	Hartwell Corporation	10/01/2012	2663707	12734669.0	
2664119	Tata Consultancy Services Limited	07/12/2011	2664119	11822911.1	
2664719	Neoperl GmbH	14/03/2011	2664719	13000549.9	German
2664922	LSI Medience Corporation Mochida Pharmaceutical Co., Ltd.	10/01/2012	2664922	12733987.7	
2665320	Huawei Technologies Co., Ltd.	17/01/2012	2665320	12736695.3	
2665453	Clark, Timothy W.I.	20/01/2012	2665453	12736645.8	
2666314	BlackBerry Limited	20/01/2012	2666314	12737140.9	
2666425	Covidien LP	22/05/2013	2666425	13168721.2	
2666545	Musashi Engineering, Inc.	18/01/2012	2666545	12736584.9	
2666721	Airbus Operations GmbH	24/05/2012	2666721	12004050.6	
2666877	JX Nippon Mining & Metals Corp.	17/01/2012	2666877	12736158.2	
2668400	Exel Industries	24/01/2012	2668400	12705372.6	French
2669632	Volkswagen Aktiengesellschaft	06/12/2012	2669632	12195836.7	German
2670558	Constructions Mécaniques Consultants	31/01/2012	2670558	12708561.1	French
2671720	Kyodo Printing Co., Ltd.	23/09/2011	2671720	11857908.5	
2673735	Videojet Technologies Inc.	08/02/2012	2673735	12744324.0	

3998	(No. 2387)	Patents Office Journal	(12/06/2019)		
2674207	Pall Corporation	11/03/2013	2674207	13158636.4	
2674293	The Boeing Company	06/06/2013	2674293	13170925.5	
2675314	Joya Schuhe AG	21/10/2011	2675314	11778821.6	German
2675518	Sequana Medical AG	15/02/2012	2675518	12706391.5	
2676044	Aktiebolaget SKF	16/02/2012	2676044	12706010.1	German
2676160	CommScope Technologies LLC	10/02/2012	2676160	12714832.8	German
2676567	Braun GmbH	19/06/2013	2676567	13003135.4	
2677990	L'Oréal	17/02/2012	2677990	12711349.6	
2678631	Raytheon Company	06/01/2012	2678631	12703625.9	
2679463	Volkswagen Aktiengesellschaft AUDI AG	14/06/2013	2679463	13172048.4	German
2679615	Toray Industries, Inc.	21/02/2012	2679615	12749361.7	
2682745	Stichting IMEC Nederland Nederlandse Organisatie voor toegepast- natuurwetenschappelijk onderzoek TNO	06/07/2012	2682745	12175473.3	
2682777	HENSOLDT Sensors GmbH	18/08/2012	2682777	12005946.4	German
2682943	Qualcomm Incorporated	08/04/2009	2682943	13186540.4	
2682957	ABB Schweiz AG	04/07/2012	2682957	12174974.1	
2683038	Yazaki Corporation	28/02/2012	2683038	12754724.8	
2683098	LG Electronics Inc.	19/12/2011	2683098	11860046.9	
2683163	Dentsu Inc. Asahi Television Broadcasting Corporation D2C dot Inc.	02/03/2012	2683163	12755369.1	
2684087	CommScope Technologies LLC	01/03/2012	2684087	12712435.2	
2684837	NXP USA, Inc.	21/06/2013	2684837	13173238.0	
2684888	Jitsubo Co., Ltd.	28/02/2012	2684888	12755137.2	
2685119	Aktiebolaget SKF	05/07/2013	2685119	13175423.6	
2685183	Samsung Electronics Co., Ltd.	11/07/2013	2685183	13176056.3	
2685627	Panasonic Intellectual Property Management Co., Ltd.	01/07/2013	2685627	13174448.4	
2687111	G.D S.p.A.	16/07/2013	2687111	13176710.5	
2688112	KIS Co., Ltd.	18/07/2013	2688112	13176977.0	
2688715	Techtronic Power Tools Technology Limited	21/03/2011	2688715	11861490.8	
2689103	Merlin Technology Inc.	17/02/2012	2689103	12761392.5	

2690064	National Institute for Materials Science MITSUBA Corporation	23/03/2012	2690064	12762958.2	
2690774	Hamilton Sundstrand Space Systems International, Inc.	15/07/2013	2690774	13176487.0	
2691186	Tiama	28/03/2012	2691186	12717398.7	French
2691601	The Safer Plug Company Limited	31/03/2011	2691601	11716848.4	
2693165	KUKA Deutschland GmbH	30/07/2013	2693165	13178491.0	German
2694317	Valeo Systemes Thermiques	30/03/2012	2694317	12717342.5	French
2694318	Aptiv Technologies Limited	29/03/2012	2694318	12715876.4	French
2694320	Ebert, Klaus Meyer, Stefan Resche, Eberhard	29/03/2012	2694320	12713091.2	German
2695458	Panasonic Intellectual Property Corporation of America	20/03/2012	2695458	12709540.4	
2696021	Norwood Architecture, Inc	09/08/2013	2696021	13180008.8	
2697144	Technology Licensing Corp.	16/04/2012	2697144	12771363.4	
2699051	Deutsche Telekom AG	17/08/2012	2699051	12180907.3	
2700845	TAC Research Inc. Nakashin Reishoku Co., Ltd.	19/03/2012	2700845	12773812.8	
2701010	PFU LIMITED	20/08/2013	2701010	13180974.1	
2703433	Rhodia Operations	16/01/2009	2703433	13188193.0	
2703646	Nabtesco Corporation	27/08/2013	2703646	13181791.8	
2703915	Deutsche Telekom AG	13/06/2013	2703915	13003023.2	German
2703981	Samsung Electronics Co., Ltd.	23/08/2013	2703981	13181534.2	
2704267	Canon Kabushiki Kaisha	23/08/2013	2704267	13181461.8	
2706243	Sanyo Denki Co., Ltd.	03/09/2013	2706243	13182893.1	
2706820	Panasonic Intellectual Property Management Co., Ltd.	05/09/2013	2706820	13183093.7	
2707206	Röhren- und Pumpenwerk Bauer Gesellschaft mbH	12/03/2012	2707206	12709532.1	German
2709284	NEC Corporation	29/06/2012	2709284	12805038.2	
2711414	Symrise AG	19/09/2012	2711414	12184985.5	German
2713925	Covidien LP	29/05/2012	2713925	12793258.0	
2714064	The Regents of the University of California	01/06/2012	2714064	12729266.2	
2714392	Stora Enso Oyj	31/05/2012	2714392	12731018.3	
2715052	Halliburton Energy Services, Inc.	10/02/2012	2715052	12704525.0	
2715536	Qualcomm Incorporated	21/05/2012	2715536	12724498.6	

4000	(No. 2387)	<i>Patents Office Journal</i>		(12/06/2019)	
2715931	TRW Limited	16/05/2012	2715931	12729177.1	
2716227	Fujifilm Corporation	17/09/2013	2716227	13184755.0	
2719069	L-3 Communications Magnet-Motor GmbH	08/06/2011	2719069	11725063.9	
2721111	Covestro LLC Thermal Solution Resources, LLC	03/07/2012	2721111	12800067.6	
2721833	Microsoft Technology Licensing, LLC	18/06/2012	2721833	12803397.4	
2721859	Telefonaktiebolaget LM Ericsson (publ)	15/06/2011	2721859	11867603.0	
2722229	Yamaha Hatsudoki Kabushiki Kaisha	16/10/2013	2722229	13188987.5	
2722274	The Boeing Company	17/09/2013	2722274	13184675.0	
2723107	Immersion Corporation	14/07/2009	2723107	14151328.3	
2723895	Children's Hospital Medical Center	25/06/2012	2723895	12802140.9	
2724340	Nuance Communications, Inc.	07/07/2011	2724340	11730861.9	
2724751	Pioneer System Technologies Corporation Pioneer Corporation	22/06/2011	2724751	11868421.6	
2725143	Roos, Thomas	24/10/2013	2725143	13190075.5	German
2725184	Sandvik Mining and Construction Oy	24/10/2012	2725184	12189760.7	
2725581	BOE Technology Group Co., Ltd.	09/10/2013	2725581	13187910.8	
2725830	ZTE Corporation	18/11/2011	2725830	11860714.2	
2725843	Fujitsu Limited	23/06/2011	2725843	11868404.2	
2726018	Mitralix Ltd.	26/06/2012	2726018	12740202.2	
2727024	Amazon Technologies, Inc.	28/06/2012	2727024	12735992.5	
2727107	Orange	26/06/2012	2727107	12734996.7	French
2727714	FAGOR ARRASATE, S.COOP.	04/10/2013	2727714	13382392.2	
2727786	Jatco Ltd NISSAN MOTOR CO., LTD.	25/06/2012	2727786	12807277.4	
2728774	LG Electronics Inc.	28/06/2012	2728774	12803866.8	
2729519	Akron Polymer Systems, Inc.	29/06/2012	2729519	12808229.4	
2729896	Intel Corporation	05/07/2012	2729896	12807077.8	
2730856	General Electric Technology GmbH	07/11/2013	2730856	13191957.3	
2730912	IGUT GmbH	13/11/2013	2730912	13450047.9	German
2731511	IRCAD	11/07/2012	2731511	12811240.6	
2732095	Voith Patent GmbH	16/07/2012	2732095	12738433.7	German
2732883	Musashi Engineering, Inc.	10/07/2012	2732883	12810942.8	
2733693	Samsung Electronics Co., Ltd.	15/11/2013	2733693	13193111.5	

2733859	Sumitomo Electric Industries, Ltd. Sumitomo Wiring Systems, Ltd. AutoNetworks Technologies, Ltd. Toyota Jidosha Kabushiki Kaisha	13/07/2012	2733859	12810568.1	
2735827	Panasonic Corporation	26/06/2012	2735827	12816996.8	
2736585	Fresenius Medical Care Deutschland GmbH	27/07/2012	2736585	12743677.2	German
2736673	Flexible Steel Lacing Company	26/07/2012	2736673	12817590.8	
2737346	Saint-Gobain Glass France	30/07/2012	2737346	12753765.2	French
2737399	Marvell World Trade Ltd.	19/07/2012	2737399	12740449.9	
2737577	Qinetiq Limited	23/07/2012	2737577	12748514.2	
2739730	Prosetta Antiviral Inc.	03/08/2012	2739730	12820186.0	
2741317	Showa Denko K.K.	03/08/2012	2741317	12822286.6	
2742530	Micron Technology, Inc.	27/06/2012	2742530	12817419.0	
2742598	Qualcomm Incorporated	31/07/2012	2742598	12745962.6	
2744053	FUJIFILM Corporation	26/07/2012	2744053	12820110.0	
2744256	Sony Corporation	09/07/2012	2744256	12822532.3	
2744442	Koninklijke Philips N.V.	12/10/2012	2744442	12798378.1	
2744697	Deere & Company	14/08/2012	2744697	12823749.2	
2745331	Phoenix Contact GmbH & Co. KG	14/08/2012	2745331	12751263.0	German
2745406	Telefonaktiebolaget LM Ericsson (publ)	10/11/2011	2745406	11875305.2	
2746104	Automotive Lighting Reutlingen GmbH	21/11/2013	2746104	13193781.5	German
2746761	Nippon Steel & Sumitomo Metal Corporation	15/08/2012	2746761	12823776.5	
2748203	La Trobe University	23/08/2012	2748203	12826494.2	
2748249	Sasol Olefins & Surfactants GmbH	24/08/2012	2748249	12825171.7	
2748739	Landmark Graphics Corporation	28/10/2011	2748739	11874769.0	
2748762	Koninklijke Philips N.V.	24/08/2012	2748762	12784065.0	
2749014	Koninklijke Philips N.V.	14/11/2012	2749014	12808489.4	
2749344	IHI Corporation	27/07/2012	2749344	12817565.0	
2749528	Toshiba Mitsubishi-Electric Industrial Systems Corporation	06/09/2010	2749528	14161976.7	
2749757	FPT Industrial S.p.A.	28/12/2012	2749757	12199692.0	
2750513	Barry Callebaut AG	30/08/2012	2750513	12766373.0	
2752693	Nippon Kayaku Kabushiki Kaisha Polatechno Co., Ltd.	05/09/2012	2752693	12830627.1	
2753017	Samsung Electronics Co., Ltd.	19/09/2008	2753017	14162731.5	
2753307	The University of Liverpool	07/09/2012	2753307	12758882.0	

4002	(No. 2387)	Patents Office Journal	(12/06/2019)		
2755751	Parmentier, François	17/09/2012	2755751	12775729.2	French
2756009	versalis S.p.A.	13/09/2012	2756009	12775449.7	
2756037	Henkel AG & Co. KGaA	13/09/2012	2756037	12770269.4	
2756674	QUALCOMM INCORPORATED	15/08/2012	2756674	12751234.1	
2756958	Seiko Epson Corporation	14/01/2014	2756958	14151097.4	
2757431	General Electric Company	15/01/2014	2757431	14151332.5	
2758789	Continental Automotive GmbH	20/09/2012	2758789	12769351.3	German
2758984	SR LIGHT ApS	07/09/2012	2758984	12761567.2	
2759128	InterDigital Madison Patent Holdings	22/09/2011	2759128	11872799.9	
2760358	Avent, Inc.	27/08/2012	2760358	12836041.9	
2761964	Jacobs, Scott William	28/09/2012	2761964	12781207.1	
	Kleimenhagen, Karl William				
	Watkins, Roger Dwight				
	Travis, Dexter Grant				
	Robert Bosch GmbH				
2762020	R. J. Reynolds Tobacco Company	14/02/2007	2762020	14164087.0	
2762733	Magna Exteriors (Germany) GmbH	13/12/2013	2762733	13197189.7	German
2763848	Covestro Deutschland AG	05/10/2012	2763848	12768853.9	German
2765296	Chart Inc.	10/02/2014	2765296	14154550.9	
2765965	WaveLight GmbH	10/10/2011	2765965	11770055.9	
2766040	F.HOFFMANN-LA ROCHE AG	11/10/2012	2766040	12778010.4	
2766099	UTC Fire & Security Corporation	14/10/2011	2766099	11874097.6	
2767771	Carrier Corporation	13/02/2014	2767771	14155015.2	
2767791	Panasonic Corporation	10/10/2012	2767791	12840153.6	
2768345	Happiest Baby, Inc.	19/10/2012	2768345	12781007.5	
2768445	Mynosys Cellular Devices, Inc.	22/10/2012	2768445	12847125.7	
2769857	Bridgestone Corporation	22/10/2012	2769857	12842471.0	
2770324	FUJIFILM Corporation	24/02/2014	2770324	14156332.0	
2771182	Tera-Barrier Films Pte Ltd	24/10/2012	2771182	12843853.8	
	Agency for Science, Technology and Research				
2772546	AJINOMOTO CO., INC.	25/10/2012	2772546	12843347.1	
2772718	Hisaka Works, Ltd.	23/10/2012	2772718	12843569.0	
	Hitachi-GE Nuclear Energy, Ltd.				
2773528	Volvo Lastvagnar AB	01/11/2011	2773528	11875026.4	
2773953	Zodiac Group Australia Pty Limited	02/11/2012	2773953	12845004.6	
2774073	Microsoft Technology Licensing, LLC	31/10/2012	2774073	12845622.5	
2774797	Toyota Jidosha Kabushiki Kaisha	04/11/2011	2774797	11875036.3	

2774978	Hitachi High-Technologies Corporation	19/10/2012	2774978	12846413.8	
2774983	RIKEN Sumitomo Chemical Company, Limited	31/10/2012	2774983	12845639.9	
2775154	OILES CORPORATION	26/10/2012	2775154	12846174.6	
2777323	Qualcomm Incorporated	07/11/2012	2777323	12794808.1	
2777516	Covidien LP	11/03/2014	2777516	14158946.5	
2777754	Fenwal, Inc.	08/11/2013	2777754	13192157.9	
2778068	The Boeing Company	05/02/2014	2778068	14153949.4	
2778114	Krones AG	13/03/2014	2778114	14159380.6	German
2778368	Ansaldo Energia S.p.A.	12/03/2014	2778368	14159311.1	
2778697	Hitachi Chemical Company, Ltd.	01/08/2012	2778697	12847257.8	
2779031	Giesecke+Devrient Mobile Security GmbH	10/03/2014	2779031	14000837.6	German
2779701	Magna Electronics Solutions GmbH	15/03/2013	2779701	13001337.8	
2780185	Johnson Controls Automotive Electronics GmbH	14/11/2012	2780185	12797762.7	German
2781023	STMicroelectronics (Tours) SAS	06/11/2012	2781023	12794440.3	French
2781031	NXP USA, Inc.	16/11/2011	2781031	11875670.9	
2782144	IMEC VZW	31/01/2014	2782144	14153401.6	
2782379	NTT DoCoMo, Inc.	02/12/2010	2782379	14171381.8	
2783897	Toyota Jidosha Kabushiki Kaisha	22/11/2011	2783897	11876138.6	
2783899	Toyota Jidosha Kabushiki Kaisha	21/11/2011	2783899	11876389.5	
2784150	GeneReach Biotechnology Corp.	22/11/2011	2784150	11876152.7	
2784843	LG Chem, Ltd. Toray Industries, Inc.	02/12/2013	2784843	13859566.5	
2786136	Kemira Oyj	30/11/2012	2786136	12816314.4	
2787218	ARISAWA MFG. CO., LTD. Edwards Japan Limited	28/11/2012	2787218	12854483.0	
2787297	Mitsubishi Electric Corporation	30/11/2011	2787297	11876522.1	
2787664	ZTE Corporation	22/11/2012	2787664	12852984.9	
2787929	Smith&Nephew, Inc.	06/12/2012	2787929	12855969.7	
2787957	Henkel AG & Co. KGaA	09/11/2012	2787957	12781357.4	German
2788251	Saipem S.p.A.	07/12/2012	2788251	12805662.9	
2788493	Evonik Degussa GmbH	22/11/2012	2788493	12788556.4	German
2788861	Five3 Genomics, LLC	07/12/2012	2788861	12856007.5	
2788922	Ricoh Company, Ltd.	07/12/2012	2788922	12855271.8	
2789179	Nokia Technologies Oy	04/12/2012	2789179	12856435.8	

4004	(No. 2387)	<i>Patents Office Journal</i>			(12/06/2019)
2789333	Shandong Runze Pharmaceuticals Co., Ltd.	05/12/2012	2789333	12854817.9	
2789412	Newfrey LLC	05/12/2012	2789412	12856453.1	
2789941	Hefei Midea Refrigerator Co., Ltd. Hefei Hualing Co., Ltd.	06/12/2011	2789941	11876977.7	
2790549	Paul Hettich GmbH & Co. KG	06/12/2012	2790549	12809148.5	German
2791038	Kimberly-Clark Worldwide, Inc.	05/11/2012	2791038	12857791.3	
2791677	Merck Patent GmbH	14/12/2012	2791677	12805590.2	
2791942	Micron Technology, INC.	08/11/2012	2791942	12858227.7	
2792234	Waratah OM Oy	31/03/2014	2792234	14397513.4	
2792517	Kawasaki Jukogyo Kabushiki Kaisha	08/11/2012	2792517	12858179.0	
2792690	Dow Global Technologies LLC	17/03/2005	2792690	14176345.8	
2793010	Fujikoki Corporation	24/03/2014	2793010	14161208.5	
2794110	Thermo Electron (Karlsruhe) GmbH	18/12/2012	2794110	12815637.9	German
2794139	Cre 8 Technologies Limited	22/12/2011	2794139	11851626.9	
2794186	Robert Bosch GmbH	15/11/2012	2794186	12784613.7	German
2794203	Edgewell Personal Care Brands, LLC	17/12/2012	2794203	12814071.2	
2794548	Lucite International UK Limited	20/12/2012	2794548	12809846.4	
2794624	Geron Corporation	21/12/2012	2794624	12859248.2	
2794733	BASF SE	21/12/2011	2794733	11878326.5	
2794757	Dow Global Technologies LLC Rohm and Haas Electronic Materials LLC	04/12/2012	2794757	12799483.8	
2795082	AVL List GmbH	13/12/2012	2795082	12799574.4	German
2795102	Tidal Generation Limited	19/12/2012	2795102	12809260.8	
2795431	Intel Corporation	22/12/2011	2795431	11878232.5	
2796004	Tridonic GmbH & Co. KG	20/12/2012	2796004	12815675.9	German
2796162	Kaneka Corporation	14/12/2012	2796162	12860696.9	
2796386	CSP Technologies, Inc.	10/10/2003	2796386	14170403.1	
2797504	St. Jude Medical International Holding S.à r.l.	18/12/2012	2797504	12821133.1	
2798233	TVS Motor Company Limited	26/12/2012	2798233	12846816.2	
2799108	Nipro Corporation	27/12/2012	2799108	12862179.4	
2799906	Hamamatsu Photonics K.K.	21/08/2012	2799906	12863980.4	
2801614	The Board of Trustees of the Leland Stanford Junior University	28/08/2003	2801614	14168527.1	
2802387	Wedowski, Michael	20/12/2012	2802387	12844658.0	German
2802417	Micronics, Inc.	09/01/2013	2802417	13703175.3	

2802995	Cisco Technology, Inc.	10/01/2013	2802995	13735784.4	
2803095	IMEC VZW	20/12/2012	2803095	12812974.9	
2804399	GN Hearing A/S	15/05/2013	2804399	13167809.6	
2804598	Kyoto University	17/01/2013	2804598	13738597.7	
2805032	IFP Energies nouvelles	14/12/2012	2805032	12821265.1	French
2805154	Rosemount Inc.	18/01/2013	2805154	13702542.5	
2805450	Nokia Solutions and Networks Oy	19/01/2012	2805450	12701705.1	
2805827	Brother Kogyo Kabushiki Kaisha	22/12/2011	2805827	14181697.5	
2805868	Artsana USA, Inc.	20/05/2014	2805868	14169036.2	
2806511	Nissan Motor Company, Limited Yazaki Corporation	20/12/2012	2806511	12866069.3	
2806859	Vertex Pharmaceuticals Incorporated	25/01/2013	2806859	13703243.9	
2807165	Université de Montréal	25/01/2013	2807165	13740815.9	
2808343	Xencor Inc.	22/12/2008	2808343	14171372.7	
2808742	Kyocera Document Solutions Inc.	28/05/2014	2808742	14170192.0	
2809142	Dow AgroSciences LLC	01/02/2013	2809142	13743027.8	
2809148	Dow AgroSciences LLC	01/02/2013	2809148	13744313.1	
2809322	PTC Therapeutics, Inc.	25/01/2013	2809322	13740919.9	
2809458	Magna International Inc.	01/02/2013	2809458	13743645.7	
2809652	F.HOFFMANN-LA ROCHE AG	29/01/2013	2809652	13702781.9	
2810185	Siemens Healthcare Diagnostics Inc.	01/02/2013	2810185	13743505.3	
2810274	AQUIMO, LLC	24/10/2012	2810274	12843067.5	
2810527	Nokia Technologies Oy	10/01/2013	2810527	13743147.4	
2811310	Primearth EV Energy Co., Ltd.	26/09/2012	2811310	12867453.8	
2812635	Robert Bosch GmbH	22/01/2013	2812635	13701423.9	German
2813005	Motorola Mobility LLC	22/01/2013	2813005	13703217.3	
2813359	Fuji Seal International, Inc. Totani Corporation	16/11/2012	2813359	12868301.8	
2816300	Zhejiang Sanhua Intelligent Controls Co., Ltd.	24/01/2013	2816300	13749277.3	
2816435	The Boeing Company	15/05/2014	2816435	14168479.5	
2816698	Hamilton Sundstrand Corporation	20/06/2014	2816698	14173260.2	
2816718	General Electric Technology GmbH	18/06/2013	2816718	13275143.9	
2817013	KCI Licensing, Inc.	21/02/2013	2817013	13707782.2	
2817339	AbbVie Stemcentrx LLC	22/02/2013	2817339	13707529.7	
2817779	Microsoft Technology Licensing, LLC	12/02/2013	2817779	13751652.2	
2817785	Huston, Charles D. Coleman, Chris	22/02/2013	2817785	13710919.5	

4006	(No. 2387)	<i>Patents Office Journal</i>		(12/06/2019)	
2818288	Schott AG	25/06/2014	2818288	14173806.2	German
2818628	GE Oil & Gas UK Limited	26/06/2014	2818628	14174044.9	
2818727	Mitsubishi Heavy Industries Compressor Corporation	18/01/2013	2818727	13751185.3	
2818889	MAN Truck & Bus AG	23/01/2014	2818889	14000242.9	German
2820464	BAE Systems PLC	30/01/2013	2820464	13703867.5	
2820643	Shenzhen Yunyinggu Technology Co., Ltd.	17/01/2013	2820643	13754860.8	
2820830	Sony Mobile Communications AB	27/02/2012	2820830	12708582.7	
2821103	Arizona Board Of Regents For And On Behalf Of Arizona State University	14/07/2009	2821103	14182336.9	
2821718	Daikin Industries, Ltd.	05/02/2013	2821718	13749421.7	
2822091	Murata Manufacturing Co., Ltd.	27/02/2013	2822091	13754250.2	
2822099	NTT DOCOMO, INC.	03/12/2012	2822099	12870051.5	
2822118	gabo Systemtechnik GmbH	23/06/2014	2822118	14002146.0	German
2822321	Telefonaktiebolaget LM Ericsson (publ)	01/07/2013	2822321	13174562.2	
2822422	Colgate-Palmolive Company	09/03/2012	2822422	12712458.4	
2822935	Dana-Farber Cancer Institute, Inc.	16/11/2012	2822935	12849203.0	
2823056	Gnothis Holding AG	05/03/2013	2823056	13709177.3	
2823208	Intersurgical AG	08/03/2013	2823208	13708189.9	
2824216	ThyssenKrupp Steel Europe AG	31/03/2014	2824216	14162799.2	German
2824250	Illinois Tool Works, Inc.	09/07/2013	2824250	13175825.2	
2824848	LG Electronics Inc.	28/02/2013	2824848	13757125.3	
2825100	Puskas, John D. Emory University	05/03/2013	2825100	13761715.5	
2825319	Robert Bosch GmbH	04/02/2013	2825319	13704392.3	German
2825558	F.HOFFMANN-LA ROCHE AG	11/03/2013	2825558	13708435.6	
2825664	Rheinische Friedrich-Wilhelms- Universität Bonn Becton, Dickinson and Company	13/03/2013	2825664	13709109.6	
2825766	Robert Bosch GmbH	13/02/2013	2825766	13704423.6	German
2825991	The Chinese University Of Hong Kong	13/03/2013	2825991	13760635.6	
2826338	915 Labs LLC	13/03/2013	2826338	13761472.3	
2826463	Sumitomo Seika Chemicals Co. Ltd.	13/03/2013	2826463	13761783.3	
2827466	Phoenix Contact GmbH & Co. KG	28/02/2014	2827466	14157258.6	German
2827768	Soligie, Inc.	19/03/2013	2827768	13716537.9	
2828118	Jaguar Land Rover Limited	21/03/2013	2828118	13711386.6	

2828613	Ludwig-Maximilians-Universität München	21/03/2013	2828613	13714550.4	German
2828696	Corning Optical Communications LLC	07/03/2013	2828696	13712016.8	
2829262	Jang, Sung Wook	19/03/2013	2829262	13765119.6	
2830348	Huawei Technologies Co., Ltd.	19/03/2012	2830348	12872032.3	
2830526	Fiagon AG Medical Technologies	28/03/2013	2830526	13714616.3	German
2831671	E.V. Offshore Limited	11/03/2013	2831671	13717805.9	
2831689	Basic Holdings	26/03/2013	2831689	13715635.2	
2832145	Nokia Technologies Oy	20/03/2013	2832145	13769781.9	
2833071	Pratt & Whitney Canada Corp.	22/07/2014	2833071	14178067.6	
2833206	Zeon Corporation	27/02/2013	2833206	13768119.3	
2834794	Qualcomm Incorporated	15/03/2013	2834794	13714779.9	
2834969	Commissariat à l'Énergie Atomique et aux Énergies Alternatives	04/04/2013	2834969	13714297.2	
2835048	Unicharm Corporation	21/03/2013	2835048	13769925.2	
2835057	ALI GROUP S.r.l. - CARPIGIANI	04/08/2014	2835057	14179685.4	
2835461	H. Stoll AG & Co. KG	09/08/2013	2835461	13179840.7	German
2836788	Acoem AB	12/03/2013	2836788	13760766.9	
2836806	Raytheon Company	05/02/2013	2836806	13710096.2	
2836867	Corning Optical Communications LLC	12/04/2013	2836867	13719198.7	
2837178	QUALCOMM INCORPORATED	02/04/2013	2837178	13717116.1	
2837710	JX Nippon Mining & Metals Corporation	05/09/2012	2837710	12831198.2	
2838014	Industry-University Cooperation Foundation Hanyang University	12/04/2013	2838014	13774957.8	
2839230	Eisenmann SE	27/03/2013	2839230	13715136.1	German
2839830	Urigen, Inc.	13/01/2006	2839830	14182345.0	
2839857	Glaxo Group Limited	22/01/2003	2839857	14185967.8	
2840513	Hasso-Plattner-Institut für Softwaresystemtechnik GmbH	21/08/2013	2840513	13181258.8	
2840753	McAfee, LLC	21/05/2009	2840753	13196135.1	
2840991	Medtronic Ardian Luxembourg S.à.r.l.	01/03/2013	2840991	13715782.2	
2842860	SRAM Deutschland GmbH	21/08/2014	2842860	14002901.8	German
2843340	Linde Aktiengesellschaft	20/12/2013	2843340	13005993.4	German
2843456	Sirtec International (Suzhou) Co. Ltd	25/03/2014	2843456	14161562.5	
2843857	Huizhou TCL Mobile Communication Co., Ltd.	20/08/2013	2843857	13884948.4	
2844560	SZ DJI Technology Co., Ltd.	19/03/2014	2844560	14780088.2	

4008	(No. 2387)	<i>Patents Office Journal</i>		(12/06/2019)	
2847747	Briskman, Robert	02/07/2013	2847747	13787040.8	
2848207	Ethicon LLC	15/09/2014	2848207	14184821.8	
2849287	Schneider Electric Industries SAS	10/06/2014	2849287	14171713.2	French
2849475	NTT DoCoMo, Inc.	26/03/2013	2849475	13788335.1	
2849998	MAG Aerospace Industries, LLC	14/03/2013	2849998	13716881.1	
2850139	Université de Haute Alsace Socomore	16/05/2013	2850139	13736636.5	
2851839	Kabushiki Kaisha Toshiba	07/03/2014	2851839	14158315.3	
2852302	Sanseva Ltd	23/05/2013	2852302	13731848.1	
2852392	Altergon S.a.	22/05/2013	2852392	13728330.5	
2852517	IPGate AG	11/04/2013	2852517	13719757.0	German
2852564	ALTEO GARDANNE	17/05/2013	2852564	13729986.3	French
2852931	Koninklijke Philips N.V.	15/05/2013	2852931	13735422.1	
2855674	Chr. Hansen A/S	22/05/2013	2855674	13727539.2	
2855718	ThyssenKrupp Steel Europe AG	05/06/2013	2855718	13726805.8	German
2855981	Federal-Mogul Burscheid GmbH	25/04/2013	2855981	13726094.9	German
2856624	Prototus, Ltd.	29/05/2013	2856624	13797505.8	
2856735	Private Giant	03/06/2013	2856735	13734872.8	
2857780	Siti - B&T Group S.p.A.	01/10/2014	2857780	14187367.9	
2857909	Hamilton Sundstrand Corporation	26/09/2014	2857909	14186671.5	
2858273	University of Science and Technology of China	08/03/2013	2858273	13747771.7	
2858400	Sony Corporation	14/03/2013	2858400	13801224.0	
2858408	Qualcomm Incorporated	20/12/2006	2858408	14194480.1	
2859114	AMGEN, INC.	11/06/2013	2859114	13804428.4	
2859429	Microsoft Technology Licensing, LLC	24/05/2013	2859429	13727485.8	
2859461	Greeneden U.S. Holdings II, LLC	04/06/2013	2859461	13800321.5	
2859883	Symrise AG	13/10/2013	2859883	13188402.5	
2861872	Renault S.A.S.	06/06/2013	2861872	13733366.2	French
2862498	Olympus Corporation	26/09/2013	2862498	13874796.9	
2862536	Biosense Webster (Israel) Ltd.	20/10/2014	2862536	14189511.0	
2865858	Bosal Emission Control Systems NV	24/10/2013	2865858	13189986.6	
2865950	Whirlpool Corporation	20/10/2014	2865950	14184951.3	
2866111	dSPACE digital signal processing and control engineering GmbH	28/10/2013	2866111	13190448.4	German
2866481	Qualcomm Incorporated	23/08/2012	2866481	14197757.9	
2866833	Merck Sharp & Dohme Corp.	25/06/2013	2866833	13808570.9	
2867437	Epiroc Aktiebolag	25/06/2013	2867437	13808711.9	

2867895	Sonos, Inc.	28/06/2013	2867895	13808471.0	
2868009	Intel Corporation	19/06/2013	2868009	13813471.3	
2868439	Seiko Epson Corporation	27/10/2014	2868439	14190454.0	
2868568	Samsung Heavy Ind. Co., Ltd.	21/06/2013	2868568	13808607.9	
2868613	KONE Corporation	05/11/2013	2868613	13191600.9	
2869437	Mitsubishi Electric Corporation	26/06/2013	2869437	13808637.6	
2869517	Telefonaktiebolaget LM Ericsson (publ)	31/10/2013	2869517	13191101.8	
2869646	China Academy of Telecommunications Technology	28/04/2009	2869646	14189303.2	
2869826	Eden Shield Ltd.	04/07/2013	2869826	13813134.7	
2869865	Medtronic Inc.	03/07/2013	2869865	13736742.1	
2870054	HELLA GmbH & Co. KGaA	29/06/2013	2870054	13734712.6	German
2870063	Fin Control Systems Pty. Limited	05/07/2013	2870063	13816709.3	
2870749	EVS Deutschland GmbH	01/07/2013	2870749	13736526.8	
2870902	Hameur S.A.	06/11/2014	2870902	14192096.7	French
2871477	Miura Co., Ltd.	27/05/2013	2871477	13886039.0	
2871528	Oki Data Corporation	30/10/2014	2871528	14190986.1	
2871993	NIKE Innovate C.V.	10/07/2013	2871993	13741937.0	
2872336	Hewlett-Packard Development Company, L.P.	10/07/2012	2872336	12737498.1	
2872829	Gorenje Gospodinjski aparati d.d.	26/06/2013	2872829	13766672.3	
2872847	VALEO SYSTEMES THERMIQUES	25/06/2013	2872847	13730918.3	French
2873181	Telefonaktiebolaget LM Ericsson (publ)	09/07/2013	2873181	13815129.5	
2874249	TE Connectivity Germany GmbH	10/11/2014	2874249	14192473.8	
2874388	Sony Depthsensing Solutions	15/11/2013	2874388	13193068.7	
2874780	Lumileds Holding B.V.	17/07/2013	2874780	13774507.1	
2874949	Heartland Technology Partners LLC	19/07/2013	2874949	13820641.2	
2875096	Paul Wurth S.A.	01/07/2013	2875096	13756302.9	German
2876460	Veoneer Sweden AB	26/11/2013	2876460	13194451.4	
2877024	Dow AgroSciences LLC	18/07/2013	2877024	13829567.0	
2877070	Groupe SEB Schweiz GmbH	11/07/2013	2877070	13736562.3	German
2877483	Bio-rad Laboratories, Inc.	25/07/2013	2877483	13823401.8	
2877574	Glycosyn LLC	24/07/2013	2877574	13823740.9	
2877601	Flash Therapeutics	26/07/2013	2877601	13786307.2	
2877955	Intel Corporation	18/07/2013	2877955	13822709.5	
2877957	Gemalto SA	19/07/2013	2877957	13739694.1	

4010	(No. 2387)	Patents Office Journal	(12/06/2019)		
2878005	Ozimek, Pawel Klimczak, Andrzej Zelechowski, Marcin Golan, Marcin TRUMPF Huettinger Sp. Z o. o.	24/07/2013	2878005	13739738.6	
2878357	IHI Corporation	25/01/2013	2878357	13822200.5	
2878715	G.CLO	14/08/2012	2878715	12881833.3	
2879460	Thales	26/11/2014	2879460	14194937.0	French
2880134	Air Products and Chemicals, Inc.	31/07/2013	2880134	13747599.2	
2880154	Sanofi Pasteur SA	29/07/2013	2880154	13742451.1	
2880447	Novartis AG	25/07/2013	2880447	13773390.3	
2880715	Nokia Technologies Oy	26/06/2013	2880715	13826039.3	
2881549	General Electric Company	27/11/2014	2881549	14195116.0	
2882449	The Board Of Trustees Of The University Of the Leland Stanford Junior University	08/08/2013	2882449	13852778.3	
2882524	Bio-Rad Laboratories, Inc.	07/08/2013	2882524	13828567.1	
2883107	SAGE Electrochromics, Inc. Alliance for Sustainable Energy, LLC	07/08/2013	2883107	13752751.1	
2883429	Dalhousie University	09/08/2013	2883429	13827230.7	
2884852	Novozymes A/S	15/08/2013	2884852	13748351.7	
2884951	Sebela VLC Limited	13/08/2013	2884951	13829987.0	
2885328	The Lubrizol Corporation	05/03/2013	2885328	13710725.6	
2885495	Baker Hughes, a GE company, LLC Element Six Limited	15/08/2013	2885495	13829458.2	
2885627	Hewlett-Packard Development Company, L.P.	29/07/2012	2885627	12882012.3	
2885642	Baxalta GmbH Baxalta Incorporated	12/08/2013	2885642	13829280.0	
2886627	Merck Patent GmbH	27/11/2014	2886627	14004008.0	German
2886735	ECLISSE S.R.L.	02/12/2014	2886735	14195785.2	
2887021	Airbus Operations GmbH	20/12/2013	2887021	13198907.1	
2887106	Thales	01/12/2014	2887106	14195659.9	French
2887331	CASIO COMPUTER CO., LTD.	16/12/2014	2887331	14198188.6	
2887431	Nano And Advanced Materials Institute Limited	02/12/2014	2887431	14195926.2	
2887833	Delorean, Jack Z.	19/08/2013	2887833	13831718.5	
2887952	Janssen Pharmaceutica NV	20/08/2013	2887952	13830479.5	

2888199	Veolia North America Regeneration Services, LLC	27/08/2013	2888199	13759386.9	
2888631	E. I. du Pont de Nemours and Company	21/02/2013	2888631	13707516.4	
2888994	Fundació Institut de Ciències Fotòniques Washington University	22/12/2014	2888994	14199712.2	
2889487	Calsonic Kansei Corporation	01/07/2013	2889487	13831133.7	
2890259	Rhenoflex GmbH	27/06/2013	2890259	13736759.5	German
2890299	The Regents of The University of Michigan	30/08/2013	2890299	13832475.1	
2891184	Micron Technology, Inc.	30/08/2013	2891184	13832624.4	
2891300	Yammer, Inc.	28/08/2013	2891300	13759956.9	
2891575	Brusa Elektronik AG	02/01/2014	2891575	14150069.4	German
2891581	Hitachi Automotive Systems, Ltd.	29/07/2013	2891581	13834260.5	
2892002	Samsung Electronics Co., Ltd.	30/12/2014	2892002	14200607.1	
2892528	Reckitt Benckiser Healthcare International Limited	09/09/2013	2892528	13836176.1	
2892556	Alfacyte Ltd	04/09/2013	2892556	13763273.3	
2892598	Fisher&Paykel Healthcare Limited	09/09/2013	2892598	13834722.4	
2892982	Haldor Topsøe A/S	15/08/2013	2892982	13753834.4	
2893111	Guardian Glass, LLC	04/09/2013	2893111	13763385.5	
2893703	Qualcomm Incorporated	30/08/2013	2893703	13763374.9	
2894615	Toyota Jidosha Kabushiki Kaisha	12/01/2015	2894615	15150760.5	
2895088	Cardiovascular Systems, Inc.	02/07/2013	2895088	13837325.3	
2895920	Carl Zeiss SMT GmbH	30/08/2013	2895920	13756877.0	
2897201	LG Chem, Ltd.	18/06/2014	2897201	14814161.7	
2897230	Eberspächer catem GmbH & Co. KG	21/01/2014	2897230	14000208.0	German
2897276	KABUSHIKI KAISHA TOYOTA JIDOSHOKKI	09/01/2015	2897276	15150600.3	
2897354	Samsung Electronics Co., Ltd.	15/01/2015	2897354	15151243.1	
2898667	Robert Bosch GmbH	16/09/2013	2898667	13766923.0	German
2898861	Samsung Electronics Co., Ltd.	22/01/2015	2898861	15152169.7	
2899590	Koninklijke Philips N.V.	30/09/2010	2899590	15150061.8	
2899618	Sony Corporation	09/07/2013	2899618	13839207.1	
2899816	Fyzikální ústav AV CR, v.v.i.	27/01/2014	2899816	14466004.0	
2899892	Harris Global Communications, Inc.	21/01/2015	2899892	15000156.8	
2900191	Drylock Technologies NV	25/09/2013	2900191	13842177.1	
2900267	Siemens Healthcare Diagnostics Inc.	27/09/2013	2900267	13841842.1	

4012	(No. 2387)	<i>Patents Office Journal</i>		(12/06/2019)	
2900914	Halliburton Energy Services, Inc.	26/09/2012	2900914	12885221.7	
2900924	United Technologies Corporation	26/09/2013	2900924	13864512.2	
2901588	Intel Corporation	17/09/2013	2901588	13840695.4	
2901885	Alleco Oy	14/01/2015	2901885	15151090.6	
2903572	Universität Leipzig Iseli, Hans Peter	08/10/2013	2903572	13773779.7	
2903787	iRobot Corporation	05/10/2013	2903787	13844141.5	
2904177	ShelterLogic Corp.	27/09/2013	2904177	13777375.0	
2904400	BL Technologies, Inc.	07/10/2013	2904400	13779695.9	
2904411	Lodam Electronics A/S	08/10/2013	2904411	13779512.6	
2904903	UPL Limited	26/01/2015	2904903	15152450.1	
2904910	Gruppo Mauro Saviola S.r.l.	06/02/2015	2904910	15154069.7	
2904983	Erbe Elektromedizin GmbH	05/02/2014	2904983	14153938.7	German
2905321	Samsung Electronics Co., Ltd.	05/02/2015	2905321	15154015.0	
2905538	Honeywell International Inc.	28/01/2015	2905538	15152945.0	
2905690	Samsung Electronics Co., Ltd.	12/12/2014	2905690	14197754.6	
2905981	NEC Corporation	20/09/2013	2905981	13844494.8	
2906179	Premier Dental Products Company	11/10/2013	2906179	13845393.1	
2906221	Southern Research Institute	11/10/2013	2906221	13846057.1	
2906291	Profound Medical Inc. The Government of the United States As represented by the Secretary of Health & Human Services	30/09/2013	2906291	13814610.5	
2906335	COROB S.p.A.	10/10/2013	2906335	13818363.7	
2906339	Buckman Laboratories International, Inc.	24/09/2013	2906339	13774012.2	
2906718	Inbiomotion S.L.	09/10/2013	2906718	13821939.9	
2907028	Microsoft Technology Licensing, LLC	09/10/2013	2907028	13780465.4	
2907749	Airbus Defence and Space GmbH	12/02/2014	2907749	14154866.9	
2908381	China Telecom Corporation Limited	15/04/2013	2908381	13882311.7	
2908673	Nicoventures Holdings Limited	09/10/2013	2908673	13774188.0	
2910430	Airbus Defence and Space SA	24/02/2014	2910430	14382061.1	
2910661	Garrett Transportation I Inc.	11/02/2015	2910661	15154766.8	
2910836	NORMA Germany GmbH	22/12/2014	2910836	14199763.5	German
2910971	Ricoh Company, Ltd.	24/02/2015	2910971	15156243.6	
2911324	Sony Corporation	23/02/2015	2911324	15156105.7	
2911417	Samsung Electronics Co., Ltd.	17/02/2015	2911417	15155366.6	
2911628	The Procter & Gamble Company	22/10/2013	2911628	13786086.2	

2911678	N2 Pharmaceuticals Ltd.	23/10/2013	2911678	13815861.3	
2911730	Bayer Healthcare LLC	24/09/2013	2911730	13849732.6	
2911754	Maxm Skate Pty Ltd.	28/10/2013	2911754	13852068.9	
2913618	Hangzhou Sanhua Research Institute Co., Ltd.	13/02/2015	2913618	15155072.0	
2914479	Freni Brembo S.p.A.	31/10/2013	2914479	13826941.0	
2914833	Volkswagen Aktiengesellschaft	23/10/2013	2914833	13780355.7	German
2915048	DATALOGIX, INC.	04/10/2013	2915048	13780448.0	
2915899	Consortio para el diseño, construcción, Equipamiento y explotación del Centro de Láseres Pulsados Ultracortos Ultraintensos	06/03/2014	2915899	14382080.1	
2916166	Ortus Technology Co., Ltd.	29/10/2013	2916166	13850282.8	
2916393	Zumtobel Lighting GmbH	05/03/2015	2916393	15157792.1	German
2917071	Loadhog Limited	05/11/2013	2917071	13811590.2	
2917311	UOP LLC	11/11/2013	2917311	13853288.2	
2917587	Nuovo Pignone S.r.l.	05/11/2013	2917587	13789246.9	
2918119	Telefonaktiebolaget LM Ericsson (publ)	28/09/2012	2918119	12768787.9	
2918547	TMC CO., LTD.	20/11/2012	2918547	12888007.7	
2918755	MACO Technologie GmbH	02/03/2015	2918755	15157224.5	German
2919066	Konica Minolta, Inc.	26/02/2015	2919066	15156788.0	
2919858	MIMEDX Group Inc.	30/10/2013	2919858	13854317.8	
2922121	TODA KOGYO CORP.	12/11/2013	2922121	13855900.0	
2922245	Telia Company AB	10/03/2015	2922245	15158325.9	
2922250	NEC Corporation	14/11/2013	2922250	13855057.9	
2923205	Baerlecken, Niklas	22/11/2013	2923205	13795229.7	
2923601	Albéa Services	20/03/2015	2923601	15160193.7	French
2924007	LG Chem, Ltd.	09/01/2014	2924007	14738106.5	
2924238	Honeywell International Inc.	19/01/2015	2924238	15151704.2	
2924409	Honeywell International Inc.	09/03/2015	2924409	15158319.2	
2925858	Corning Incorporated	25/11/2013	2925858	13801961.7	
2925974	United Technologies Corporation	04/11/2013	2925974	13858861.1	
2926072	Quesada Saborio, Carlos	02/12/2013	2926072	13805605.6	
2926610	SAGEMCOM BROADBAND SAS	25/11/2013	2926610	13795254.5	French
2926738	Samsung Electronics Co., Ltd.	27/06/2014	2926738	15163020.9	
2926923	Matsuura Machinery Corporation	26/08/2014	2926923	14182207.2	
2928220	ZTE Corporation	12/09/2013	2928220	13870196.6	
2929004	Novozymes A/S	09/12/2013	2929004	13801595.3	

2929235	Robert Bosch GmbH	07/12/2012	2929235	12889618.0
2929628	Telefonaktiebolaget LM Ericsson (publ)	03/12/2013	2929628	13815161.8
2929645	Sony Corporation	17/01/2014	2929645	14700790.0
2929872	Mandom Corporation	04/12/2013	2929872	13861351.8
2930828	Nidec Corporation	27/03/2015	2930828	15161375.9
2931138	Ethicon LLC	04/12/2013	2931138	13808415.7
2931269	Baylor Research Institute at Dallas National Institute of Health and Medical Research	13/12/2013	2931269	13862044.8
2931381	3M Innovative Properties Company	10/12/2013	2931381	13811748.6
2931599	Seabed Geosolutions B.V.	17/12/2013	2931599	13808002.3
2931841	Applied Research Associates, Inc. Chevron Lummus Global, LLC	04/12/2013	2931841	13862605.6
2931891	President and Fellows of Harvard College	16/12/2013	2931891	13863815.0
2932164	Schneider Electric Buildings LLC	10/12/2013	2932164	13863090.0
2932910	Covidien LP	22/12/2014	2932910	14199783.3
2933091	Ashimori Industry Co., Ltd.	05/12/2013	2933091	13860295.8
2933592	NOA Co., Ltd.	04/12/2013	2933592	13860840.1
2934100	DeLaval Holding AB	18/12/2013	2934100	13824418.1
2934317	Zoll Medical Corporation	17/12/2013	2934317	13863754.1
2934333	Volcano Corporation	18/12/2013	2934333	13864905.8
2934976	CNH Industrial America LLC	13/09/2013	2934976	13770583.6
2935161	L'Air Liquide Société Anonyme pour l'Etude et l'Exploitation des Procédés Georges Claude	03/12/2013	2935161	13799302.8
2935339	E. I. du Pont de Nemours and Company	16/12/2013	2935339	13817801.7
2935752	Weatherford Technology Holdings, LLC	17/12/2013	2935752	13818606.9
2936351	Logicblox, Inc.	19/12/2013	2936351	13863961.2
2936404	Microsoft Technology Licensing, LLC	19/12/2013	2936404	13821316.0
2937044	Covidien LP	06/10/2003	2937044	15170873.2
2937217	Mimaki Engineering Co., Ltd.	16/12/2013	2937217	13865246.6
2937569	Panasonic Intellectual Property Management Co., Ltd.	19/03/2015	2937569	15159766.3
2938252	Volcano Corporation	30/12/2013	2938252	13866830.6
2938263	Volcano Corporation	17/12/2013	2938263	13866939.5
2938645	Dow Global Technologies LLC	10/12/2013	2938645	13812379.9

2939200	Nokia Technologies Oy	30/12/2013	2939200	13869006.0	
2939412	General Electric Company	17/12/2013	2939412	13821545.4	
2939840	Memjet Technology Limited	29/07/2010	2939840	15169931.1	
2940273	TOYOTA JIDOSHA KABUSHIKI KAISHA	27/12/2012	2940273	12890839.9	
2941296	Jones, Donald K. Mitelberg, Vladimir	02/01/2014	2941296	14735212.4	
2941704	Microsoft Technology Licensing, LLC	03/01/2014	2941704	14701842.8	
2942133	Kyokutoh Europe GmbH	08/05/2014	2942133	14001628.8	German
2942991	Huawei Technologies Co., Ltd.	24/01/2013	2942991	13872590.8	
2943241	Rollins Medical Solutions, Inc.	10/01/2013	2943241	13871043.9	
2943255	3M Innovative Properties Company	08/01/2014	2943255	14738103.2	
2943287	Aptar France SAS	09/01/2014	2943287	14703122.3	French
2943353	Karl Wörwag Lack- Und Farbenfabrik GmbH & Co. KG	09/01/2014	2943353	14701669.5	German
2943476	BASF Agro B.V.	18/12/2013	2943476	13814101.5	
2943624	Hilti Aktiengesellschaft	07/01/2014	2943624	14700078.0	German
2943672	Cummins IP, Inc.	08/01/2014	2943672	14737990.3	
2943916	Repsol, S.A. President and Fellows of Harvard College	10/01/2014	2943916	14701305.6	
2944054	Google Technology Holdings LLC	30/12/2013	2944054	13826702.6	
2944416	Abbott Cardiovascular Systems, Inc.	08/06/2011	2944416	15159720.0	
2944846	NISSAN MOTOR CO., LTD.	16/12/2013	2944846	13870548.8	
2945340	Huawei Technologies Co., Ltd.	20/02/2013	2945340	13875708.3	
2945682	A.V. Medical Technologies, Ltd.	08/01/2014	2945682	14703651.1	
2945845	Technische Universiteit Delft	17/01/2014	2945845	14701018.5	
2945949	BASF SE	15/01/2014	2945949	14700640.7	
2946159	Illinois Tool Works Inc.	09/01/2014	2946159	14701455.9	
2946625	Qualcomm Incorporated	21/11/2013	2946625	13812226.2	
2946632	Telefonaktiebolaget LM Ericsson (publ)	17/01/2014	2946632	14704672.6	
2946875	The Boeing Company	05/12/2014	2946875	14196480.9	
2948046	Arizona Board of Regents on behalf of Arizona State University	21/01/2014	2948046	14743429.4	
2948199	Mölnlycke Health Care AB	28/01/2014	2948199	14701545.7	
2948355	TOYOTA JIDOSHA KABUSHIKI KAISHA	22/01/2014	2948355	14703625.5	
2948768	Alber, Bernd	22/01/2014	2948768	14705701.2	German

4016	(No. 2387)	Patents Office Journal	(12/06/2019)		
2949488	Snap-on Equipment Srl a unico socio	30/05/2014	2949488	14170632.5	
2949655	Hokko Chemical Industry Co., Ltd.	23/01/2014	2949655	14743668.7	
2949710	Fujifilm Corporation	28/05/2015	2949710	15169546.7	
2949777	Nikon Corporation	22/01/2014	2949777	14743327.0	
2950472	LG Electronics Inc.	27/01/2014	2950472	14743715.6	
2950493	Mitsubishi Electric Corporation	03/10/2013	2950493	13872949.6	
2950783	ALLERGAN, INC.	03/02/2014	2950783	14704747.6	
2951068	Continental Teves AG & Co. OHG	30/01/2014	2951068	14702549.8	German
2951842	NKT HV Cables GmbH	31/01/2013	2951842	13704032.5	
2952192	Aerpio Therapeutics, Inc.	05/11/2010	2952192	15154363.4	
2952568	Kao Corporation	31/01/2014	2952568	14746540.5	
2953295	Nokia Solutions and Networks Oy	06/06/2014	2953295	14171445.1	
2953400	Huawei Technologies Co., Ltd.	21/02/2013	2953400	13875808.1	
2953577	Tardelli, Enio	04/02/2014	2953577	14716982.5	
2954017	Illinois Tool Works Inc.	06/02/2014	2954017	14706196.4	
2954024	Dow Silicones Corporation	10/02/2014	2954024	14706754.0	
2954100	Dow Silicones Corporation	20/12/2013	2954100	13821355.8	
2954872	Venus MedTech (HangZhou), Inc.	19/12/2011	2954872	15169197.9	
2954949	IHI Corporation	05/02/2014	2954949	14748787.0	
2955386	Mitsubishi Heavy Industries Compressor Corporation	14/01/2014	2955386	14807357.0	
2955518	Hyglos Invest GmbH	12/06/2014	2955518	14172151.4	
2955650	Polar Electro Oy	04/06/2015	2955650	15170676.9	
2956162	Ruprecht-Karls-Universität Heidelberg	17/02/2014	2956162	14704605.6	
2956331	Adient Luxembourg Holding S.à r.l.	10/02/2014	2956331	14703829.3	German
2956356	Gulfstream Aerospace Corporation	10/02/2014	2956356	14751133.1	
2956357	Gulfstream Aerospace Corporation	10/02/2014	2956357	14751160.4	
2956503	Ineos Europe AG	17/02/2014	2956503	14705494.4	
2957275	Beiersdorf AG	04/06/2015	2957275	15170682.7	German
2957729	Siemens Aktiengesellschaft	16/06/2014	2957729	14172597.8	
2958287	Cavium, Inc.	19/06/2015	2958287	15172929.0	
2959309	Intel IP Corporation	29/05/2013	2959309	13875965.9	
2959789	J&P Coats Limited	23/06/2015	2959789	15001853.9	
2959830	FUJITSU LIMITED The University of Tokyo	08/06/2015	2959830	15170995.3	
2961097	ZTE Corporation	17/09/2013	2961097	13876024.4	
2961418	Envy Medical, Inc.	03/03/2014	2961418	14756838.0	
2961524	Illumina, Inc.	21/02/2014	2961524	14710688.4	

2961868	Oerlikon Textile GmbH & Co. KG	17/02/2014	2961868	14704597.5	German
2962368	CommScope Technologies LLC	16/06/2014	2962368	14813657.5	
2963055	Hanmi Pharm. Co., Ltd.	26/02/2014	2963055	14757574.0	
2963267	United Technologies Corporation	03/07/2015	2963267	15175319.1	
2963520	Industry-Academic Cooperation Foundation Yonsei University	30/06/2015	2963520	15174457.0	
2964282	Abbott Cardiovascular Systems Inc.	28/02/2014	2964282	14711372.4	
2964314	Koninklijke Philips N.V.	31/01/2014	2964314	14706337.4	
2964727	ExxonMobil Research and Engineering Company	07/02/2014	2964727	14705680.8	
2964803	Corning Incorporated	03/03/2014	2964803	14712858.1	
2964924	United Technologies Corporation	26/02/2014	2964924	14759888.2	
2965417	Deutecno, S.L.	04/03/2014	2965417	14708021.2	
2965456	Nokia Technologies OY	04/03/2013	2965456	13712398.0	
2965478	Theranos IP Company, LLC	04/03/2014	2965478	14760282.5	
2965584	Qualcomm Incorporated	05/02/2014	2965584	14707517.0	
2965609	CNH Industrial Belgium nv	30/06/2015	2965609	15174578.3	
2965803	FUJIFILM Corporation	28/02/2014	2965803	14759523.5	
2966573	Adesto Technologies Corporation	02/07/2015	2966573	15175005.6	
2966832	Genband US LLC	08/07/2015	2966832	15175836.4	
2967021	Agricultural Magnetics, Ltd.	13/03/2014	2967021	14717317.3	
2967161	NIKE Innovate C.V.	09/09/2013	2967161	13877524.2	
2967341	St. Jude Medical Coordination Center BVBA	11/03/2014	2967341	14731355.5	
2967451	Nanomix, Inc.	14/03/2014	2967451	14762982.8	
2967477	Vayyar Imaging Ltd.	13/03/2014	2967477	14765037.8	
2967734	Boston Scientific Scimed, Inc.	11/03/2014	2967734	14718234.9	
2968204	Henkin, Robert I.	05/02/2014	2968204	14763097.4	
2968792	Antares Pharma, Inc.	11/03/2014	2968792	14778806.1	
2969886	Joy MM Delaware, Inc.	17/01/2014	2969886	14774283.7	
2970114	Bristol-Myers Squibb Company	12/03/2014	2970114	14714106.3	
2971368	Officine Maccaferri S.p.A.	12/03/2014	2971368	14719086.2	
2971489	Halliburton Energy Services, Inc.	28/02/2014	2971489	14776529.1	
2971848	ClearMotion Acquisition I LLC	14/03/2014	2971848	14715195.5	
2973233	Avery Dennison Corporation	11/03/2014	2973233	14725561.6	
2973566	Scanavo Manufacturing HK Ltd. Scanavo A/S	27/08/2013	2973566	13753807.0	
2973586	Microsoft Technology Licensing, LLC	04/03/2014	2973586	14712105.7	

4018	(No. 2387)	Patents Office Journal	(12/06/2019)		
2973615	Aptiv Technologies Limited	11/03/2014	2973615	14778922.6	
2974209	Google Technology Holdings LLC	14/03/2014	2974209	14717036.9	
2974230	Cisco Technology, Inc.	10/03/2014	2974230	14716104.6	
2974439	ISCO International, LLC	04/03/2014	2974439	14768916.0	
2974907	Airbus Operations GmbH	16/07/2014	2974907	14177299.6	
2975761	Hosiden Corporation	13/07/2015	2975761	15176556.7	
2976230	Max Holder GmbH	21/03/2014	2976230	14711971.3	German
2976437	Caterpillar, Inc.	19/03/2014	2976437	14771156.8	
2976647	MAP IP HOLDING LIMITED	20/03/2014	2976647	14712736.9	
2976845	Finisar Corporation	17/03/2014	2976845	14717965.9	
2976900	Intel Corporation	19/03/2013	2976900	13879133.0	
2976948	Bonato, Francesco	21/07/2014	2976948	14177788.8	
2977014	Tsukada Medical Research Co., Ltd.	09/09/2013	2977014	13878993.8	
2977878	Samsung Electronics Co., Ltd.	20/03/2014	2977878	14769037.4	
2977978	Humanetics Innovative Solutions, Inc.	21/07/2015	2977978	15177701.8	
2978140	ROBERT BOSCH GMBH	19/05/2015	2978140	15168116.0	German
2979201	Cumulus Systems Incorporated	29/03/2013	2979201	13880592.4	
2979815	Safran Aero Boosters SA	31/07/2014	2979815	14179301.8	French
2979949	Hitachi Automotive Systems, Ltd.	24/01/2014	2979949	14774788.5	
2980212	Honda Motor Co., Ltd.	27/03/2014	2980212	14772592.3	
	Kazusa DNA Research Institute				
2980821	Mitsubishi Electric Corporation	20/12/2013	2980821	13879930.9	
2980862	Asahi Kasei Kabushiki Kaisha	28/03/2014	2980862	14775606.8	
2980882	Carl Freudenberg KG	28/07/2014	2980882	14002624.6	German
2981352	Glatt Ingenieurtechnik GmbH	03/04/2014	2981352	14728814.6	German
2981379	Tenneco Inc.	04/04/2014	2981379	14723620.2	
2981559	Fraunhofer-Gesellschaft zur Förderung der angewandten Forschung e.V.	24/03/2014	2981559	14712651.0	German
2982050	Qualcomm Incorporated	03/04/2014	2982050	14720037.2	
2982086	Ericsson Television Inc.	26/03/2014	2982086	14778730.3	
2982344	New York Society for the Ruptured and Crippled Maintaining the Hospital for Special Surgery	16/11/2010	2982344	15184034.5	
2982383	Abbott Diabetes Care, Inc.	10/04/2009	2982383	15175738.2	
2984621	Qualcomm Incorporated	07/04/2014	2984621	14721712.9	
2984768	LG Electronics Inc.	19/12/2013	2984768	13881708.5	
2986159	Mycotechnology, Inc.	15/03/2014	2986159	14763975.1	
2986690	Merck Patent GmbH	19/03/2014	2986690	14713381.3	

2986978	Bio-rad Laboratories, Inc.	02/12/2014	2986978	14867041.7	
2987811	Chevron Phillips Chemical Company LP	02/12/2013	2987811	15189547.1	
2988042	AUSCO, Inc.	29/06/2015	2988042	15174236.8	
2988180	EM Microelectronic-Marin SA	20/08/2014	2988180	14181642.1	French
2988476	ZTE Corporation	16/08/2013	2988476	13882098.0	
2988568	LG Electronics Inc.	29/01/2015	2988568	15753305.0	
2989130	ExxonMobil Chemical Patents Inc.	22/04/2014	2989130	14788051.2	
2990063	Smith & Nephew PLC	27/06/2008	2990063	15182671.6	
2990189	Covidien LP	25/08/2015	2990189	15182267.3	
2991074	Huawei Technologies Co., Ltd.	27/09/2013	2991074	13886051.5	
2991531	SEB S.A.	29/04/2014	2991531	14732256.4	French
2992278	Commissariat à l'Energie Atomique et aux Energies Alternatives	10/04/2014	2992278	14717729.9	French
2992970	Salzburger Aluminium Aktiengesellschaft	02/09/2014	2992970	14183183.4	German
2993000	ABB Schweiz AG	04/09/2014	2993000	14183490.3	
2993567	Samsung Electronics Co., Ltd.	02/09/2015	2993567	15183566.7	
2994045	Novocure Limited	06/05/2014	2994045	14752362.5	
2995183	Big Dutchman International GmbH	13/08/2015	2995183	15181013.2	German
2995524	CRRC Tangshan Co., Ltd.	12/12/2013	2995524	13884349.5	
2996282	Telefonaktiebolaget LM Ericsson (publ)	29/07/2010	2996282	15179533.3	
2997464	Microsoft Technology Licensing, LLC	20/09/2013	2997464	13773974.4	
2997670	Intel IP Corporation	13/12/2013	2997670	13884528.4	
2997790	MediaTek Inc.	11/11/2014	2997790	14860683.3	
2997892	Monica Healthcare Limited	12/06/2009	2997892	15186343.8	
2998438	Vossloh Cogifer	04/09/2015	2998438	15183935.4	French
2998480	dormakaba Deutschland GmbH	22/09/2014	2998480	14185845.6	German
2998902	Baidu Online Network Technology (Beijing) Co., Ltd	31/12/2014	2998902	14200739.2	
2999455	The Procter & Gamble Company	22/05/2014	2999455	14729835.0	
3000024	Microsoft Technology Licensing, LLC	22/05/2014	3000024	14736077.0	
3000318	Shimano Components (Malaysia) SDN BHD	23/09/2015	3000318	15186379.2	
3000521	Mahle International GmbH	15/09/2015	3000521	15185177.1	German
3000920	Sanko Tekstil Isletmeleri San. Ve Tic. A.S.	21/09/2015	3000920	15186071.5	
3002459	Pfeiffer Vacuum GmbH	15/09/2015	3002459	15185155.7	German

4020	(No. 2387)	<i>Patents Office Journal</i>		(12/06/2019)	
3002857	Liebherr-Aerospace Lindenberg GmbH	20/08/2015	3002857	15181804.4	German
3003188	Lina Medical International Operations AG	06/06/2014	3003188	14729304.7	
3003236	Gui Global Products, Ltd.	04/06/2014	3003236	14807740.7	
3003314	Kala Pharmaceuticals, Inc.	30/05/2014	3003314	14807232.5	
3003485	The A2 Milk Company Limited	30/05/2014	3003485	14804528.9	
3003517	Sony Interactive Entertainment Inc.	23/05/2014	3003517	14733016.1	
3003677	Aluminium Féron GmbH & Co. KG	20/05/2014	3003677	14736267.7	German
3003699	Ecco Sko A/S	23/05/2014	3003699	14727783.4	
3003715	GE Oil & Gas UK Limited	07/05/2014	3003715	14723854.7	
3004420	Westinghouse Electric Company Llc	14/04/2014	3004420	14804608.9	
3004458	Valmet Automation Oy	28/05/2014	3004458	14804385.4	
3004697	Dayco IP Holdings, LLC	15/05/2014	3004697	14805033.9	
3004871	DH Technologies Development PTE. Ltd.	03/06/2014	3004871	14807636.7	
3005456	Hydrogenics Corporation	06/03/2014	3005456	14801196.8	
3005739	Fundacio per a la Universitat Oberta de Catalunya (UOC)	31/05/2013	3005739	13726001.4	
3005977	Korea Dental Solution Co., Ltd	09/06/2014	3005977	14808188.8	
3006081	Osyпка AG	15/09/2015	3006081	15185274.6	German
3006098	Honeywell International Inc.	02/10/2015	3006098	15188272.7	
3006578	Nisshin Steel Co., Ltd.	05/06/2014	3006578	14807676.3	
3006766	Fibro GmbH	29/09/2015	3006766	15187460.9	German
3006808	L'AIR LIQUIDE, SOCIETE ANONYME POUR L'ETUDE ET L'EXPLOITATION DES PROCEDES GEORGES CLAUDE	16/02/2015	3006808	15187938.4	French
3006810	L'AIR LIQUIDE, SOCIETE ANONYME POUR L'ETUDE ET L'EXPLOITATION DES PROCEDES GEORGES CLAUDE	16/02/2015	3006810	15187940.0	French
3007262	TOYOTA JIDOSHA KABUSHIKI KAISHA	29/05/2014	3007262	14808009.6	
3007970	C Series Aircraft Limited Partnership Bombardier Inc.	11/06/2014	3007970	14755120.4	
3009375	Mitsubishi Gas Chemical Company, Inc.	10/06/2014	3009375	14811569.4	
3009702	Aktiebolaget SKF	13/10/2014	3009702	14306618.1	

3009779	VALEO AUTOSYSTEMY Sp. z o.o.	15/10/2014	3009779	14461576.2	
3010201	Cisco Technology, Inc.	07/10/2015	3010201	15188853.4	
3010262	Huawei Device Co., Ltd.	15/09/2014	3010262	14844141.3	
3011079	Baker Hughes, a GE company, LLC	20/06/2014	3011079	14813898.5	
3011217	Zena Associates, LLC	20/06/2014	3011217	14742018.6	
3011425	LG Electronics Inc.	27/08/2013	3011425	13887303.9	
3011941	Maquet (Suzhou) Co. Ltd.	10/06/2014	3011941	14813742.5	
3012145	Mitsubishi Jidosha Kogyo Kabushiki Kaisha	27/01/2014	3012145	14814216.9	
3012459	Pfeiffer Vacuum GmbH	17/09/2015	3012459	15185629.1	German
3012618	Hitachi High-Technologies Corporation	05/06/2014	3012618	14813630.2	
3012717	TPK Touch Solutions (Xiamen) Inc.	08/09/2015	3012717	15184154.1	
3012802	Canon Kabushiki Kaisha	19/10/2015	3012802	15002964.3	
3012890	LG Chem, Ltd.	06/08/2014	3012890	14837821.9	
3013937	Brunner, Matthias	27/06/2014	3013937	14744287.5	German
3014260	UCL Business Plc.	23/06/2014	3014260	14732626.8	
3014607	Amazon Technologies, Inc.	26/06/2014	3014607	14817855.1	
3014639	Cavendish Kinetics, Inc.	04/06/2014	3014639	14733050.0	
3014675	AIXTRON SE	30/06/2014	3014675	14816799.2	
3015019	Shenzhen Beauty Star Co., Ltd	21/03/2014	3015019	14818184.5	
3016152	LG Innotek Co., Ltd.	08/10/2015	3016152	15189020.9	
3016193	Mico Co. Ltd.	24/03/2014	3016193	14818160.5	
3016203	LG Innotek Co., Ltd.	16/06/2014	3016203	14817657.1	
3016581	University of Newcastle Upon Tyne	30/06/2014	3016581	14735673.7	
3016666	Smartfish AS	13/06/2014	3016666	14811285.7	
3016802	Renolit SE	26/06/2014	3016802	14734451.9	
3016952	Merck Patent GmbH	03/06/2014	3016952	14733077.3	German
3017350	Microsoft Technology Licensing, LLC	25/08/2014	3017350	14762150.2	
3017400	Surgical Information Sciences Inc.	27/06/2014	3017400	14820217.9	
3017632	Facebook, Inc.	30/06/2014	3017632	14819516.7	
3017686	MTD PRODUCTS INC.	24/09/2015	3017686	15002765.4	German
3017838	Berpu Medical Technology Co., Ltd.	03/11/2015	3017838	15192823.1	
3017883	Black & Decker, Inc.	28/10/2015	3017883	15191920.6	
3017976	Mitsubishi Steel MFG. CO., LTD.	07/08/2015	3017976	15825781.6	
3018026	Veoneer Sweden AB	06/11/2014	3018026	14192091.8	
3018675	Rockwell Automation Technologies, Inc.	06/11/2015	3018675	15193374.4	

4022	(No. 2387)	<i>Patents Office Journal</i>		(12/06/2019)	
3018679	Rockwell Automation Technologies, Inc.	06/11/2015	3018679	15193383.5	
3018788	Astronics Advanced Electronic Systems Corp.	02/11/2015	3018788	15192597.1	
3018828	MediaTek Inc.	03/07/2015	3018828	15175185.6	
3020361	VOCO GmbH	09/11/2015	3020361	15193618.4	German
3020601	LG Développement	12/11/2015	3020601	15194358.6	French
3020960	MITSUBISHI HEAVY INDUSTRIES, LTD.	03/08/2015	3020960	15179447.6	
3021102	Safran Aero Boosters SA	11/11/2015	3021102	15194001.2	French
3021813	Bayer Healthcare, LLC	15/07/2014	3021813	14825990.6	
3022202	Novartis AG	16/07/2014	3022202	14766806.5	
3022377	Litezone Technologies Inc.	18/07/2014	3022377	14825729.8	
3022608	Stratasys, Inc.	16/07/2014	3022608	14747476.1	
3023171	Aktiebolaget SKF	17/11/2015	3023171	15194843.7	German
3023393	Jang, Sun Won	15/07/2014	3023393	14827068.9	
3024022	MediaTek Inc.	30/10/2015	3024022	15192247.3	
3024182	Orange	20/10/2015	3024182	15190672.4	French
3024398	Koninklijke Philips N.V.	30/06/2014	3024398	14752939.0	
3024526	Hollister Incorporated	22/07/2014	3024526	14748078.4	
3024648	Gripmetal Limited	21/07/2014	3024648	14828679.2	
3025112	Anova Applied Electronics, Inc.	23/07/2014	3025112	14829207.1	
3025535	D&M Holdings, Inc.	23/07/2013	3025535	13826590.5	
3025967	The Boeing Company	23/10/2015	3025967	15191257.3	
3026353	Samsung Electronics Co., Ltd.	06/10/2015	3026353	15188637.1	
3026578	SAP SE	28/10/2015	3026578	15003084.9	
3026649	Samsung Electronics Co., Ltd.	10/11/2015	3026649	15193836.2	
3026715	LG Electronics Inc.	25/11/2015	3026715	15003367.8	
3026997	Lemken GmbH & Co. KG	15/07/2014	3026997	14766102.9	German
3027863	Sonceboz Automative SA	30/07/2014	3027863	14745132.2	French
3027870	United Technologies Corporation	17/07/2014	3027870	14850140.6	
3027918	Kiekert AG	08/07/2014	3027918	14752257.7	German
3028492	LG Electronics Inc.	04/08/2014	3028492	14834603.4	
3029235	dormakaba Deutschland GmbH	04/12/2014	3029235	14196228.2	German
3029320	Krones Aktiengesellschaft	10/11/2015	3029320	15193950.1	German
3029436	YAMATO SCALE CO., LTD.	25/11/2015	3029436	15196166.1	
3030387	Société BIC	26/11/2013	3030387	13798635.2	
3030940	Safran Aircraft Engines	30/07/2014	3030940	14759020.2	French

3031142	Qualcomm Incorporated	07/08/2014	3031142	14758441.1	
3031182	Cisco Technology, Inc.	29/05/2014	3031182	14734654.8	
3031583	ROBERT BOSCH GMBH	03/12/2015	3031583	15197713.9	German
3031676	Huf Hülsbeck & Fürst GmbH & Co. KG	09/12/2015	3031676	15198607.2	German
3031721	Insitu, Inc.	20/11/2015	3031721	15195677.8	
3032137	Shanghai Micro Electronics Equipment (Group) Co., Ltd.	06/08/2014	3032137	14833907.0	
3032527	LG Display Co., Ltd.	04/12/2015	3032527	15197977.0	
3033509	United Technologies Corporation	11/08/2014	3033509	14836394.8	
3033879	LG Electronics Inc.	14/08/2014	3033879	14836062.1	
3034322	KUHN S.A.	16/12/2015	3034322	15200443.8	French
3034844	MAN Truck & Bus Österreich AG	11/12/2015	3034844	15003532.7	German
3034977	Vaillant GmbH	01/12/2015	3034977	15197315.3	German
3035061	LG Chem, Ltd.	26/09/2014	3035061	14849189.7	
3035361	Schneider Electric Industries SAS	17/11/2015	3035361	15194891.6	French
3035747	Alcatel Lucent	19/02/2015	3035747	15305253.5	
3035832	Kenwood Limited	22/08/2014	3035832	14772404.1	
3035943	Gynea Laboratorios, S. L.	11/08/2014	3035943	14757862.9	
3036433	Gravity Power LLC	21/08/2014	3036433	14837373.1	
3036975	Signify Holding B.V.	23/07/2014	3036975	14759321.4	
3037675	IHI Corporation	16/06/2014	3037675	14837785.6	
3038418	NTT DoCoMo, Inc.	20/08/2014	3038418	14837826.8	
3038511	TRUPHATEK INTERNATIONAL LTD	20/08/2014	3038511	14842496.3	
3038829	3D-Micromac AG	08/08/2014	3038829	14748226.9	German
3038905	Sikorsky Aircraft Corporation	07/08/2014	3038905	14860807.8	
3038980	Guardian Glass, LLC	28/08/2014	3038980	14762184.1	
3039075	SABIC Global Technologies B.V.	25/08/2014	3039075	14841036.8	
3039738	Robert Bosch GmbH	27/08/2014	3039738	14862503.1	
3040378	LG Hausys, Ltd.	29/08/2014	3040378	14839916.5	
3040387	General Electric Company	21/12/2015	3040387	15201549.1	
3041270	GN Hearing A/S	30/12/2014	3041270	14200593.3	
3041312	Hytera Communications Corp., Ltd.	14/08/2014	3041312	14839002.4	
3041383	Samsung Electronics Co., Ltd.	28/05/2014	3041383	14840608.5	
3041774	Kimberly-Clark Worldwide, Inc.	15/08/2014	3041774	14841981.5	
3042132	Saudi Arabian Oil Company	15/08/2014	3042132	14755760.7	
3042133	Solfence Holding B.V.	05/09/2014	3042133	14781317.4	

4024	(No. 2387)	<i>Patents Office Journal</i>		(12/06/2019)	
3042454	Samsung Electronics Co., Ltd.	22/07/2014	3042454	14829457.2	
3042595	Allemann, Oliver	07/01/2015	3042595	15000011.5	German
3043784	Peloton Therapeutics, Inc.	05/09/2014	3043784	14842085.4	
3044428	Siemens Aktiengesellschaft	08/09/2014	3044428	14771218.6	German
3044516	United Technologies Corporation	06/08/2014	3044516	14844542.2	
3044679	SAGEMCOM BROADBAND SAS	09/09/2014	3044679	14761841.7	French
3044870	Vayyar Imaging Ltd.	11/09/2014	3044870	14844714.7	
3045794	Nexans	16/01/2015	3045794	15305040.6	
3046196	General Electric Technology GmbH	16/01/2015	3046196	15275019.6	
3046422	Kraft Foods R & D, Inc.	19/09/2014	3046422	14787057.0	
3046727	Marposs Societa' Per Azioni	16/09/2014	3046727	14796241.9	
3046753	Pumpart System	22/09/2014	3046753	14784325.4	French
3047282	Quantum Biosystems Inc.	17/09/2014	3047282	14845728.6	
3047583	LG Electronics Inc.	16/09/2014	3047583	14844327.8	
3047853	Lynch, Stephanie Dake, Roger L. Durham, Paul L. Norton, Rhy Hawkins, Jordan L.	26/01/2016	3047853	16152839.3	
3047922	United Technologies Corporation	20/01/2016	3047922	16152118.2	
3047930	Ersa GmbH	14/09/2015	3047930	15185068.2	German
3049420	Nerviano Medical Sciences S.r.l.	16/09/2014	3049420	14771251.7	
3049546	China Triumph International Engineering Co. Ltd. CTF Solar GmbH	16/07/2014	3049546	14739191.6	German
3049870	ASML Netherlands B.V.	24/09/2014	3049870	14777038.2	
3050499	Biosense Webster (Israel) Ltd.	23/12/2015	3050499	15202371.9	
3051168	FCA Italy S.p.A.	29/01/2016	3051168	16153523.2	
3051352	Kyocera Document Solutions Inc.	21/01/2016	3051352	16152231.3	
3051597	LG Innotek Co., Ltd.	27/01/2016	3051597	16153008.4	
3052176	Biocardia, Inc.	30/09/2014	3052176	14848948.7	
3052662	The J. David Gladstone Institutes	01/10/2014	3052662	14851396.3	
3052786	United Technologies Corporation	30/09/2014	3052786	14851011.8	
3053708	ROBERT BOSCH GMBH	30/12/2015	3053708	15203044.1	German
3053769	Nishikawa Rubber Co., Ltd.	19/01/2016	3053769	16151894.9	
3053949	Sekisui Plastics Co., Ltd.	11/09/2014	3053949	14846852.3	
3054243	Pick Five Imports, Inc.	15/12/2015	3054243	15199993.5	
3054471	ABB Schweiz AG	28/01/2016	3054471	16153120.7	

3054578	Hitachi Automotive Systems, Ltd.	29/09/2014	3054578	14850880.7	
3054783	Nutrition Sciences N.V.	09/10/2014	3054783	14806065.0	
3054798	Nicoventures Holdings Limited	08/10/2014	3054798	14784354.4	
3055217	Videojet Technologies Inc.	10/10/2014	3055217	14784364.3	
3055220	United Technologies Corporation	08/10/2014	3055220	14853060.3	
3055459	Vossloh-Werke GmbH	09/10/2013	3055459	13779172.9	German
3055906	Panduit Corp.	10/10/2014	3055906	14790920.4	
3056117	HARTING Systems GmbH	19/01/2016	3056117	16000110.3	German
3056383	VALEO ILUMINACION	05/02/2016	3056383	16154524.9	French
3056399	Autoliv Nissin Brake Systems Japan Co., Ltd.	11/02/2016	3056399	16155232.8	
3056727	Danfoss A/S	11/02/2015	3056727	15154610.8	
3056728	Danfoss A/S	11/02/2015	3056728	15154612.4	
3057422	Janssen Pharmaceutica NV	14/10/2014	3057422	14854325.9	
3057516	Covidien LP	15/10/2014	3057516	14790454.4	
3057694	Universidade Do Porto Universidade do Minho	13/10/2014	3057694	14799546.8	
3058139	K.F. Innovative Trade Ltd	19/10/2014	3058139	14853991.9	
3059100	Sumitomo Rubber Industries, Ltd.	17/07/2014	3059100	14860364.0	
3059502	Louit, Claude	19/02/2016	3059502	16156600.5	French
3059583	Koninklijke Philips N.V.	29/02/2008	3059583	16159364.5	
3059596	Osaka City University	10/09/2014	3059596	14853530.5	
3060058	Amoeba	22/10/2014	3060058	14824878.4	French
3060489	International Paper Company	21/10/2014	3060489	14792961.6	
3060550	Merck Patent GmbH	21/10/2014	3060550	14799584.9	
3060849	United Technologies Corporation	13/10/2014	3060849	14855449.6	
3060917	Siemens Healthcare Diagnostics Inc.	21/10/2014	3060917	14856561.7	
3061038	Continental Reifen Deutschland GmbH	23/07/2014	3061038	14744806.2	German
3061473	B. Braun Avitum AG	16/02/2016	3061473	16155912.5	German
3061955	Kohler Co.	28/01/2016	3061955	16153201.5	
3062423	Mitsubishi Electric Corporation	23/10/2014	3062423	14855326.6	
3063022	Pirelli Tyre S.p.A.	21/10/2014	3063022	14789417.4	
3064620	Braskem S.A.	29/10/2014	3064620	14858160.6	
3064641	KOMATSU MATERE Co., Ltd. Kaneka Corporation	27/10/2014	3064641	14859001.1	
3065271	Deere & Company	03/03/2016	3065271	16158457.8	German
3065280	Tridonic GmbH & Co KG	03/03/2015	3065280	15157385.4	
3065493	LG Electronics Inc.	04/03/2016	3065493	16158698.7	

4026	(No. 2387)	Patents Office Journal	(12/06/2019)		
3065777	Generon (Shanghai) Corporation Ltd. Memorial Sloan-Kettering Cancer Center	07/11/2014	3065777	14860998.5	
3065920	Koninklijke Philips N.V.	28/10/2014	3065920	14793827.8	
3066003	Quer Puignau, Josep Maria	09/09/2014	3066003	14765909.8	
3066130	Memorial Sloan-Kettering Cancer Center Eureka Therapeutics, Inc.	07/11/2014	3066130	14803300.4	
3066135	CreaSearch bvba De Neef Chemical Processing NV	04/11/2014	3066135	14806190.6	
3066371	SAMES KREMLIN	03/11/2014	3066371	14796015.7	French
3068467	SHL Medical AG	03/11/2014	3068467	14802825.1	
3068743	Rhodia Operations	06/10/2014	3068743	14781854.6	French
3069006	E. P. Barrus Limited	17/10/2014	3069006	14787047.1	
3069195	Tangible Science, LLC	14/11/2014	3069195	14861728.5	
3070507	Olympus Corporation	10/11/2014	3070507	14861990.1	
3070629	Nagravision S.A.	20/03/2015	3070629	15159981.8	
3070726	Alps Alpine Co., Ltd. JX Nippon Mining & Metals Corporation	10/11/2014	3070726	14861043.9	
3071469	INEO Urban Transportation Solutions	29/12/2014	3071469	14824850.3	French
3071497	KHS GmbH	31/10/2014	3071497	14793513.4	German
3071601	Academisch Ziekenhuis Leiden	20/11/2014	3071601	14802043.1	
3071710	Erasmus Universiteit Medisch Centrum Rotterdam	18/11/2014	3071710	14815428.9	
3071781	National Oilwell Varco, L.P.	20/11/2014	3071781	14809237.2	
3071904	Emerson Climate Technologies, Inc.	30/10/2014	3071904	14858897.3	
3072269	LG Electronics Inc.	17/11/2014	3072269	14864899.1	
3072388	Yuan Mei Corp.	23/03/2015	3072388	15160421.2	
3072948	Chevron Japan Ltd.	09/03/2016	3072948	16159333.0	
3073000	MASCHINENFABRIK RIETER AG	17/03/2016	3073000	16160893.0	German
3073001	MASCHINENFABRIK RIETER AG	17/03/2016	3073001	16160896.3	German
3073057	Ansaldo Energia Switzerland AG	27/03/2015	3073057	15161400.5	
3073413	Rohde & Schwarz SIT GmbH	25/08/2015	3073413	15182305.1	German
3073532	TDK Corporation	14/11/2014	3073532	14864839.7	
3073631	Senvion GmbH	09/03/2016	3073631	16159309.0	German
3073861	Colgate-Palmolive Company	18/12/2013	3073861	13815659.1	

3074076	St. Jude Medical, Cardiology Division, Inc.	08/01/2015	3074076	15700412.8	
3074216	Pirelli Tyre S.p.A.	24/10/2014	3074216	14800142.3	
3074824	Adept AI Systems Inc.	27/11/2014	3074824	14865286.0	
3075130	Cisco Technology, Inc.	25/11/2014	3075130	14812095.9	
3075309	St. Jude Medical Coordination Center BVBA	28/04/2011	3075309	16166321.6	
3075375	Kao Corporation	20/11/2014	3075375	14865159.9	
3075847	Asymchem Laboratories (Tianjin) Co., Ltd Asymchem Life Science (Tianjin) Co., Ltd Tianjin Asymchem Pharmaceutical Co., Ltd Asymchem Laboratories (Fuxin) Co., Ltd Jilin Asymchem Laboratories Co., Ltd	31/10/2014	3075847	14865656.4	
3076310	SAP SE	30/03/2016	3076310	16000744.9	
3076383	BOE Technology Group Co., Ltd. Hefei BOE Optoelectronics Technology Co., Ltd.	29/05/2014	3076383	14861137.9	
3077110	Danmarks Tekniske Universitet	30/10/2014	3077110	14792464.1	
3077701	Vibracoustic CV Air Springs GmbH	05/12/2014	3077701	14815605.2	German
3078198	LG Electronics Inc.	03/12/2014	3078198	14867076.3	
3078269	Sumitomo Chemical Company, Limited	26/11/2014	3078269	14867158.9	
3078553	CAP Corporation	10/11/2014	3078553	14861966.1	
3078747	NEC Solution Innovators, Ltd.	26/06/2014	3078747	14867903.8	
3078854	Sysko AG	05/04/2016	3078854	16163809.3	German
3078955	Nippon Steel & Sumitomo Metal Corporation	03/12/2014	3078955	14867549.9	
3078972	F. Hoffmann-La Roche AG	07/04/2015	3078972	15162612.4	
3079017	Ricoh Company, Ltd.	03/12/2014	3079017	14867646.3	
3080109	UCB Biopharma SPRL	08/12/2014	3080109	14808638.2	
3080323	United Technologies Corporation	03/12/2014	3080323	14869585.1	
3080355	PRINOTH LTD.	18/11/2014	3080355	14821845.6	
3080378	Mare Beheer B.V.	15/12/2014	3080378	14828330.2	

4028	(No. 2387)	Patents Office Journal	(12/06/2019)		
3080383	Vallourec Oil and Gas France Nippon Steel & Sumitomo Metal Corporation	05/12/2014	3080383	14809383.4	
3080539	Mahle International GmbH	28/10/2014	3080539	14795586.8	German
3081559	Sumitomo Chemical Company, Limited	10/12/2014	3081559	14869686.7	
3081866	EC Power A/S	07/07/2008	3081866	16172878.7	
3082212	NR Electric Co., Ltd. NR Electric Engineering Co., Ltd.	22/01/2015	3082212	15796911.4	
3082403	Isi Sementi S.p.A.	20/12/2013	3082403	13811572.0	
3082725	Colgate-Palmolive Company	19/12/2014	3082725	14824728.1	
3082899	Medtronic Inc.	17/12/2014	3082899	14827643.9	
3082901	Sanofi-Aventis Deutschland GmbH	18/12/2014	3082901	14824452.8	
3083303	Robert Bosch GmbH	22/10/2014	3083303	14786687.5	German
3083342	Valeo Comfort and Driving Assistance	19/12/2014	3083342	14815745.6	French
3083716	Dow Global Technologies LLC	20/11/2014	3083716	14812072.8	
3084025	General Electric Company	17/12/2014	3084025	14828605.7	
3084039	Leibniz-Institut für Neue Materialien gemeinnützige GmbH	04/12/2014	3084039	14806299.5	German
3084132	Safran Aircraft Engines	08/12/2014	3084132	14828201.5	French
3084963	Electrolux Appliances Aktiebolag	17/12/2013	3084963	13811878.1	
3084994	Cisco Technology, Inc.	18/12/2014	3084994	14827649.6	
3085789	Mkrtchyan, Ovik Leonardovich	04/11/2014	3085789	14871485.0	
3086667	Bertocchi, Alessandro	23/12/2014	3086667	14853145.2	
3086856	L'OREAL	19/12/2014	3086856	14820860.6	
3086859	L'OREAL	19/12/2014	3086859	14815759.7	
3087078	Purdue Pharma LP	23/12/2014	3087078	14837032.3	
3087242	Halliburton Energy Services, Inc.	23/12/2013	3087242	13900148.1	
3087381	Lifescan Scotland Limited	22/12/2014	3087381	14816307.4	
3087494	Intel Corporation	23/12/2013	3087494	13900253.9	
3088563	POSCO	26/12/2014	3088563	14874603.5	
3088572	SUMCO Corporation	25/12/2014	3088572	14873978.2	
3089312	Fujikura Ltd.	26/12/2014	3089312	14875875.8	
3090207	L'Air Liquide Société Anonyme pour l'Etude et l'Exploitation des Procédés Georges Claude	23/12/2014	3090207	14827376.6	
3090646	Trisa Holding AG	20/04/2016	3090646	16166241.6	German
3090671	Samsung Electronics Co., Ltd.	29/12/2014	3090671	14876178.6	
3090942	The Boeing Company	30/03/2016	3090942	16162961.3	

3091563	Nuctech Company Limited	15/12/2014	3091563	14876323.8	
3092270	Reliance Industries Limited	06/01/2015	3092270	15733231.3	
3092335	Reliance Industries Limited	30/12/2014	3092335	14880260.6	
3092598	Google LLC	08/01/2015	3092598	15735172.7	
3093171	Zhejiang Geely Automobile Research Institute Co., Ltd. Zhejiang Geely Holding Group Co., Ltd.	23/12/2014	3093171	14877615.6	
3093613	Tiroler Rohre GmbH	29/03/2016	3093613	16162630.4	German
3093662	FUJIFILM CORPORATION	09/01/2015	3093662	15735185.9	
3093792	GIE i-datech	10/05/2016	3093792	16169031.8	French
3094492	Centrient Pharmaceuticals Netherlands B.V.	12/01/2015	3094492	15701485.3	
3094539	TRW Automotive U.S. LLC	14/01/2015	3094539	15737172.5	
3096086	Valvasori Marmi di Valvasori Maurizio & C. S.A.S.	20/05/2016	3096086	16170574.4	
3096106	Hyundai Motor Company	07/12/2015	3096106	15198209.7	
3096572	Xiaomi Inc.	31/03/2016	3096572	16163274.0	
3096749	Celgene Corporation	21/01/2015	3096749	15702348.2	
3096825	University of Maryland, Baltimore	22/01/2015	3096825	15740996.2	
3097013	Sikorsky Aircraft Corporation	19/01/2015	3097013	15776688.2	
3097144	Stora Enso Oyj	22/01/2015	3097144	15741066.3	
3098124	Renault S.A.S.	26/05/2016	3098124	16171557.8	French
3098864	Atsumitec Co., Ltd.	21/01/2015	3098864	15740304.9	
3098949	ALSTOM Transport Technologies	27/05/2016	3098949	16171820.0	French
3099360	Beller, Klaus-Dieter	20/01/2015	3099360	15705188.9	German
3099425	PPG Industries Ohio, Inc.	27/01/2015	3099425	15702951.3	
3099799	Dice Molecules SV. LLC	28/01/2015	3099799	15743623.9	
3100379	Sa Photonics, Inc.	28/01/2015	3100379	15742838.4	
3100815	Nippon Steel & Sumitomo Metal Corporation	30/01/2015	3100815	15743959.7	
3101040	Japan Polyethylene Corporation Japan Polypropylene Corporation	26/01/2015	3101040	15742823.6	
3101159	FUJIFILM Corporation	29/01/2015	3101159	15743341.8	
3101177	Pave Tech, Inc.	03/06/2016	3101177	16172867.0	
3101426	National Institute of Advanced Industrial Science and Technology	16/12/2011	3101426	16173307.6	
3101507	Kosmek Ltd.	01/04/2015	3101507	15774417.8	

4030	(No. 2387)	Patents Office Journal	(12/06/2019)		
3101552	Goodrich Corporation	02/06/2016	3101552	16172711.0	
3101770	Guangdong Oppo Mobile Telecommunications Corp., Ltd	09/01/2015	3101770	15742819.4	
3101779	Resonant Circuits Ltd	27/05/2016	3101779	16171731.9	
3103224	Microsoft Technology Licensing, LLC	11/03/2015	3103224	15712475.1	
3103275	Nokia Solutions and Networks Oy	06/02/2014	3103275	14703339.3	
3103399	Boston Scientific Scimed, Inc.	26/07/2011	3103399	16168451.9	
3103461	LifeCell Corporation	17/08/2010	3103461	16176482.4	
3103669	Mitsubishi Jidosha Kogyo Kabushiki Kaisha	07/06/2016	3103669	16173374.6	
3103772	Danish Clean Water A/S	09/06/2015	3103772	15171218.9	
3103942	Kabushiki Kaisha Honda Lock	03/12/2014	3103942	14880486.7	
3104071	LG Innotek Co., Ltd.	05/02/2015	3104071	15746078.3	
3104575	Climax Technology Co., Ltd.	28/07/2015	3104575	15178578.9	
3104629	ZTE Corporation	29/05/2014	3104629	14881515.2	
3104640	HTC Corporation	09/06/2016	3104640	16173710.1	
3105461	Spieth-Maschinenelemente Gmbh & Co Kg	06/02/2015	3105461	15705195.4	German
3105940	Warwick Acoustics Limited	11/02/2015	3105940	15706268.8	
3106078	KOHAN CO., LTD. Osaka University	12/02/2015	3106078	15749657.1	
3106093	Deutschmann, Heinrich	20/07/2012	3106093	16176573.0	
3106363	TOYOTA JIDOSHA KABUSHIKI KAISHA	13/06/2016	3106363	16174082.4	
3106677	Kobelco Construction Machinery Co., Ltd.	07/01/2015	3106677	15748708.3	
3106799	Dongbu Daewoo Electronics Corporation	25/09/2015	3106799	15186864.3	
3106821	BORGWARNER EMISSIONS SYSTEMS SPAIN, S.L.U.	18/06/2015	3106821	15382321.6	
3107133	Samsung SDI Co., Ltd.	08/02/2016	3107133	16154679.1	
3107713	Novoplan GmbH	11/02/2015	3107713	15703987.6	German
3108448	Ventana Medical Systems, Inc.	23/02/2015	3108448	15708459.1	
3108780	Neussel, Jürgen	22/06/2016	3108780	16175611.9	German
3108785	Vorwerk & Co. Interholding GmbH	14/06/2016	3108785	16174403.2	German
3108930	Medtronic Ardian Luxembourg S.à.r.l.	05/10/2005	3108930	16184488.1	
3108981	United Technologies Corporation	24/06/2016	3108981	16176117.6	
3109193	FERAG AG	13/06/2016	3109193	16174172.3	German

3109512	NSK Ltd.	29/01/2015	3109512	15748931.1	
3109730	Onkyo Corporation	21/06/2016	3109730	16175456.9	
3109940	Huawei Technologies Co., Ltd.	21/03/2014	3109940	14886066.1	
3110936	Reckitt Benckiser (Brands) Limited Huntsman International LLC	23/02/2015	3110936	15706286.0	
3110987	Gebr. Brasseler GmbH & Co. KG	26/01/2015	3110987	15701217.0	German
3111512	Phoenix Contact GmbH & Co. KG	28/01/2015	3111512	15701371.5	German
3112051	Nippon Steel & Sumitomo Metal Corporation	30/01/2015	3112051	15754485.9	
3112099	MARTOR KG	09/05/2016	3112099	16001041.9	German
3112313	Ronchi Mario S.p.A.	29/06/2016	3112313	16176978.1	
3113127	HYOSUNG TNS INC.	01/07/2016	3113127	16177482.3	
3113595	Hard Metals Australia Pty Limited	03/03/2015	3113595	15757947.5	
3114927	Harris, Nigel Paine, John	29/06/2016	3114927	16177020.1	
3115176	Kureha Corporation	23/02/2015	3115176	15758149.7	
3115331	Gebhardt Fördertechnik GmbH	30/06/2016	3115331	16001465.0	German
3115388	REVOPUR GmbH	19/05/2016	3115388	16001139.1	German
3115653	Ford Global Technologies, LLC	06/07/2016	3115653	16178141.4	
3115937	ASSA ABLOY AB	01/07/2016	3115937	16177454.2	
3116623	Hydac Fluidcarecenter GmbH	12/02/2015	3116623	15708437.7	German
3116774	Johnson Outdoors, Inc.	11/03/2015	3116774	15761336.5	
3116841	PTA Solutions GmbH	11/03/2015	3116841	15709905.2	German
3116945	Milliken & Company	09/03/2015	3116945	15710697.2	
3116956	The Chemours Company FC, LLC	27/02/2015	3116956	15709052.3	
3116967	Rohm and Haas Company	11/03/2014	3116967	14885304.7	
3116981	Cargill, Incorporated	13/03/2015	3116981	15761498.3	
3116997	Editas Medicine, Inc.	10/03/2015	3116997	15714320.7	
3117439	Westinghouse Electric Company Llc	11/02/2015	3117439	15792311.1	
3117580	Microsoft Technology Licensing, LLC	10/03/2015	3117580	15711979.3	
3118329	Universiteit Gent	12/07/2016	3118329	16179021.7	
3118470	Hamilton Sundstrand Corporation	18/07/2016	3118470	16179957.2	
3118911	MITSUBISHI JIDOSHA KOGYO KABUSHIKI KAISHA	15/07/2016	3118911	16179611.5	
3119182	Exel Industries	18/03/2015	3119182	15715347.9	French
3119249	TVS S.p.A.	30/01/2015	3119249	15710886.1	
3120075	Webasto SE	11/03/2015	3120075	15716720.6	German
3120179	Klein, Avner	23/03/2015	3120179	15765288.4	

4032	(No. 2387)	Patents Office Journal	(12/06/2019)		
3120344	Google LLC	12/02/2015	3120344	15706628.3	
3120691	Suzhou Cleve Electric Appliance Co., Ltd.	11/03/2015	3120691	15765943.4	
3121261	Anaergia Inc.	30/03/2016	3121261	16162806.0	
3121326	LG ELECTRONICS INC.	18/07/2016	3121326	16179924.2	
3121542	Seiko Epson Corporation	16/03/2015	3121542	15764562.3	
3121560	Snap-on Equipment Srl a unico socio	24/07/2015	3121560	15178335.4	
3121651	Zeon Corporation	18/03/2015	3121651	15764394.1	
3122428	Inoex Investment Corporation	27/03/2015	3122428	15768469.7	
3122472	Schertz Aerial Service, Inc.	27/03/2015	3122472	15768732.8	
3122703	Commissariat à l'Énergie Atomique et aux Énergies Alternatives	27/03/2015	3122703	15722657.2	French
3122847	The Procter & Gamble Company	26/03/2015	3122847	15715933.6	
3122925	L&P Property Management Company	24/03/2015	3122925	15770055.0	
3122935	Wacker Chemie AG	27/03/2014	3122935	14887444.9	
3122979	C&D Zodiac, Inc.	26/03/2015	3122979	15767722.0	
3123327	International Business Machines Corporation	17/03/2015	3123327	15711709.4	
3123808	LG ELECTRONICS INC.	30/03/2015	3123808	15769511.5	
3124115	Hitachi Zosen Corporation	27/03/2015	3124115	15768958.9	
3124618	Nitto Boseki Co., Ltd.	27/02/2015	3124618	15769789.7	
3124800	Mobility Holdings, Limited	31/07/2015	3124800	15179413.8	
3124999	Rohde & Schwarz GmbH & Co. KG	30/07/2015	3124999	15179140.7	
3125234	Google LLC	12/07/2016	3125234	16186281.8	
3125381	Amec Foster Wheeler Group Limited	26/07/2016	3125381	16181296.1	
3125390	NXP B.V.	25/07/2016	3125390	16180999.1	
3125466	ZTE Corporation	10/07/2014	3125466	14887181.7	
3125470	LSIS Co., Ltd.	28/06/2016	3125470	16176638.1	
3125483	Acorn Technologies, Inc.	26/07/2016	3125483	16181206.0	
3125769	CHISON Medical Technologies Co., Ltd.	09/03/2016	3125769	16761101.1	
3125816	DENTSPLY SIRONA Inc.	30/03/2015	3125816	15715630.8	
3126120	LOHIA CORP LIMITED	31/03/2015	3126120	15718757.6	German
3126177	Valeo Comfort and Driving Assistance	09/01/2015	3126177	15704037.9	French
3126601	Cisa S.p.a.	31/03/2014	3126601	14732423.0	
3126910	ASML Netherlands B.V.	30/03/2015	3126910	15712652.5	
3127290	Fraunhofer-Gesellschaft zur Förderung der angewandten Forschung e.V.	09/03/2015	3127290	15712264.9	German

3127381	Qualcomm Incorporated	28/03/2015	3127381	15718027.4	
3127758	Toyoda Gosei Co., Ltd.	05/08/2016	3127758	16183007.0	
3127804	The Boeing Company	25/05/2016	3127804	16171216.1	
3128077	Joseph Vögele AG	04/08/2015	3128077	15179644.8	German
3128215	Safran Aero Boosters S.A.	13/07/2016	3128215	16179250.2	French
3128286	Dancing Fireworks Group Co., Ltd.	21/07/2010	3128286	16190440.4	
3128513	Fraunhofer-Gesellschaft zur Förderung der angewandten Forschung e.V.	23/03/2015	3128513	15774034.1	
3128668	Ebara Corporation	11/03/2015	3128668	15762076.6	
3129025	Genentech, Inc.	08/04/2015	3129025	15776904.3	
3129277	Techlam S.A. IFP Energies nouvelles	19/03/2015	3129277	15711157.6	French
3129671	Dayco IP Holdings, LLC	25/03/2015	3129671	15776989.4	
3130093	Qualcomm Incorporated	08/04/2015	3130093	15718061.3	
3130253	Colgate-Palmolive Company	10/12/2012	3130253	16191494.0	
3130273	MedicalTek Co., Ltd.	13/08/2015	3130273	15180882.1	
3130432	Kagawa, Seiji	05/03/2015	3130432	15777244.3	
3130463	SK Chemicals Co., Ltd.	11/02/2015	3130463	15777451.4	
3130617	King Abdulaziz City for Science and Technology	11/08/2016	3130617	16183672.1	
3132183	SENGLED OPTOELECTRONICS CO., LTD	09/03/2015	3132183	15773371.8	
3132329	Qualcomm Incorporated	08/04/2015	3132329	15720139.3	
3132825	Medtronic Ardian Luxembourg S.à.r.l.	05/10/2005	3132825	16183801.6	
3132870	Rolls-Royce plc	21/07/2016	3132870	16180562.7	
3133297	Rolls-Royce plc	25/07/2016	3133297	16181027.0	
3135156	King Slide Works Co., Ltd. King Slide Technology Co., Ltd.	30/12/2015	3135156	15203099.5	
3135905	Teral Inc.	24/11/2015	3135905	15872150.6	
3136000	General Electric Company	22/08/2016	3136000	16185122.5	
3136153	Ricoh Company, Ltd.	25/08/2016	3136153	16185696.8	
3136193	Robert Bosch GmbH	18/08/2016	3136193	16184645.6	
3136218	LG ELECTRONICS INC.	12/07/2016	3136218	16179111.6	
3136479	Sumitomo Metal Mining Co., Ltd.	02/09/2011	3136479	16190328.1	
3136508	Huawei Technologies Co., Ltd.	23/05/2014	3136508	14892752.8	
3137388	Kimberly-Clark Worldwide, Inc.	31/10/2014	3137388	14890992.2	
3138337	Qualcomm Incorporated	02/04/2015	3138337	15721062.6	
3139486	LG ELECTRONICS INC.	17/08/2016	3139486	16184510.2	

4034	(No. 2387)	Patents Office Journal	(12/06/2019)		
3139523	Allied Telesis Holdings Kabushiki Kaisha Allied Telesis, Inc.	01/09/2016	3139523	16186876.5	
3139544	Wipro Limited	29/01/2016	3139544	16153517.4	
3139709	Milwaukee Electric Tool Corporation	02/09/2016	3139709	16187003.5	
3141139	Fritz Stephan GmbH	23/08/2016	3141139	16001840.4	German
3141670	Easy Sanitary Solutions B.V.	23/08/2011	3141670	16190055.0	
3141805	VALEO VISION	09/09/2016	3141805	16187989.5	French
3141844	LG ELECTRONICS INC.	07/09/2016	3141844	16187586.9	
3142076	Imagination Technologies Limited	31/08/2016	3142076	16186712.2	
3142262	LG ELECTRONICS INC.	09/09/2016	3142262	16187990.3	
3142445	Huawei Technologies Co., Ltd.	27/05/2014	3142445	14893585.1	
3144137	Knauf Insulation SPRL	15/09/2016	3144137	16189034.8	
3145051	QUALCOMM Incorporated	25/11/2013	3145051	16190225.9	
3145352	Bell Sports, Inc.	31/07/2015	3145352	15827177.5	
3146320	GE Oil & Gas UK Limited	25/03/2015	3146320	15714612.7	
3146888	Boston Scientific Limited	26/08/2005	3146888	16191488.2	
3147169	Volkswagen Aktiengesellschaft	31/08/2016	3147169	16186618.1	German
3147373	Genomic Health, Inc.	25/07/2011	3147373	16195347.6	
3147472	Eberspächer Exhaust Technology GmbH & Co. KG	13/09/2016	3147472	16188440.8	German
3147912	Samsung Electronics Co., Ltd.	26/09/2016	3147912	16190652.4	
3148003	The Boeing Company	09/09/2016	3148003	16188160.2	
3148187	Samsung Electronics Co., Ltd.	19/09/2016	3148187	16189531.3	
3148328	Krekoukis, Ioannis	25/05/2015	3148328	15733875.7	
3148724	Knipping, Daniel	19/05/2015	3148724	15723700.9	German
3149093	Henkel AG & Co. KGaA	28/05/2015	3149093	15729765.6	German
3149450	The Government of the United States of America as represented by the Secretary of the Navy	01/06/2015	3149450	15799376.7	
3150072	Albert Handtmann Maschinenfabrik GmbH & Co. KG	29/09/2015	3150072	15187282.7	German
3150260	Head Technology GmbH	23/10/2008	3150260	16189743.4	
3150503	Focke & Co. (GmbH & Co. KG)	03/12/2009	3150503	16002376.8	German
3150685	Isunza Rebolledo, Itzeder Alejandro	26/05/2015	3150685	15800074.5	
3150705	Kyoto University	29/05/2015	3150705	15799980.6	
3150721	Micromedmark Biotech Co., Ltd	24/12/2009	3150721	16188494.5	
3151803	Indeelift Inc.	02/06/2015	3151803	15803894.3	

3152191	Synthon Biopharmaceuticals B.V.	05/06/2014	3152191	14728565.4	
3152194	Universita Federico II Arizona Board of Regents on Behalf of the University of Arizona	03/06/2015	3152194	15802538.7	
3152421	DBK David + Baader GmbH	29/05/2015	3152421	15726135.5	German
3153305	Mimaki Engineering Co., Ltd.	09/06/2015	3153305	15805763.8	
3153509	ABA Chemicals Corporation	06/01/2015	3153509	15803726.7	
3153511	Astellas Pharma Inc.	05/06/2015	3153511	15803484.3	
3153667	Rolls-Royce Deutschland Ltd & Co KG	06/10/2016	3153667	16192668.8	German
3153683	Kohler Co.	21/09/2016	3153683	16189895.2	
3153734	NTN Corporation Ogura Clutch Co., Ltd.	28/05/2015	3153734	15802629.4	
3154763	BASF SE	29/05/2015	3154763	15729768.0	
3155128	Erasmus University Medical Center Rotterdam	10/06/2015	3155128	15732984.8	
3155378	Sanofi-Aventis Deutschland GmbH	09/06/2015	3155378	15726638.8	
3156154	Meidensha Corporation	29/05/2015	3156154	15809862.4	
3156400	Valoralia I Más D, SL	27/05/2016	3156400	16382237.2	
3156725	Cox Geelen B.V.	17/10/2016	3156725	16194139.8	
3157080	Suzhou Institute of Nano-tech and Nano-bionics (SINANO) Chinese Academy of Sciences	05/06/2015	3157080	15807123.3	
3157900	Saltigo GmbH	17/06/2015	3157900	15728903.4	German
3157926	Intra-Cellular Therapies, Inc.	22/06/2015	3157926	15810064.4	
3158747	Qualcomm Incorporated	19/06/2015	3158747	15741652.0	
3158805	Telefonaktiebolaget LM Ericsson (publ)	18/06/2014	3158805	14739238.5	
3159247	Dura Operating, LLC	21/10/2016	3159247	16195184.3	
3159257	Airbus Operations GmbH	21/10/2015	3159257	15190861.3	
3159267	Goodrich Corporation	18/10/2016	3159267	16194317.0	
3159334	Samsung Electronics Co., Ltd.	18/10/2016	3159334	16194430.1	
3159678	Industrial Technology Research Institute	10/03/2010	3159678	16186952.4	
3160016	Shanghai Moons' Electric Co., Ltd	11/03/2016	3160016	16823150.4	
3160061	Huawei Technologies Co., Ltd.	23/10/2015	3160061	15853952.8	
3160274	JT International SA	05/06/2015	3160274	15733487.1	
3160402	Ottobock SE & Co. KGaA	24/06/2015	3160402	15731580.5	German

4036	(No. 2387)	<i>Patents Office Journal</i>		(12/06/2019)	
3160670	Mahavadi Management and Technology Services GmbH Mahavadi, Purushotham	30/06/2015	3160670	15815190.2	
3160971	Council of Scientific and Industrial Research	18/06/2015	3160971	15759949.9	
3161282	Eto Magnetic GmbH	25/06/2015	3161282	15738599.8	German
3161423	Rosemount Inc.	26/06/2015	3161423	15815494.8	
3161507	Connaught Electronics Ltd.	29/04/2015	3161507	15721644.1	
3162168	MICROCHIP TECHNOLOGY INC.	24/06/2015	3162168	15739386.9	
3162548	Evonik Degussa GmbH	07/10/2016	3162548	16192833.8	German
3162605	Yachiyo Industry Co., Ltd.	12/03/2015	3162605	15796891.8	
3162702	Cho, Jinsoo Lockheed Martin Corporation	06/10/2016	3162702	16192580.5	
3162992	Nabtesco Corporation	07/03/2012	3162992	16176321.4	
3163154	Panasonic Intellectual Property Management Co., Ltd.	25/05/2015	3163154	15811331.6	
3163299	Inficon GmbH	29/10/2015	3163299	15192115.2	
3164356	Gas Technology Institute	29/06/2015	3164356	15734048.0	
3164421	Basell Poliolefine Italia S.r.l.	08/06/2015	3164421	15726636.2	
3164907	Kamstrup A/S	02/07/2015	3164907	15734289.0	
3164960	Apple Inc.	01/07/2015	3164960	15814676.1	
3165152	Flytech Technology Co., Ltd.	15/12/2015	3165152	15003570.7	
3165242	ReinHeart GmbH	05/11/2015	3165242	15193212.6	
3165535	Mogam Biotechnology Research Institute	22/08/2012	3165535	16202979.7	
3165566	Sumitomo Rubber Industries, Ltd.	16/06/2015	3165566	15815513.5	
3165792	Motive Power Industry Co., Ltd.	04/11/2015	3165792	15192901.5	
3166350	Sharp Kabushiki Kaisha	08/06/2015	3166350	15815865.9	
3166595	Amphastar Pharmaceuticals, Inc.	08/07/2015	3166595	15747618.5	
3166796	Funai Electric Co., Ltd.	08/07/2015	3166796	15819035.5	
3166847	C&D Zodiac, Inc.	10/07/2015	3166847	15818886.2	
3166865	Scholle IPN Corporation	10/07/2015	3166865	15818659.3	
3167002	Basell Poliolefine Italia S.r.l.	29/06/2015	3167002	15734620.6	
3167020	Benjamin Moore&Co.	26/06/2015	3167020	15818184.2	
3167026	Albemarle Europe Sprl.	07/07/2015	3167026	15741953.2	
3167477	Canon Kabushiki Kaisha	18/08/2015	3167477	15836759.9	
3167574	Oracle International Corporation	09/07/2015	3167574	15745631.0	
3167989	Siemens Aktiengesellschaft	22/09/2016	3167989	16190133.5	German

3168093	Valeo Systèmes d'Essuyage	12/10/2016	3168093	16193428.6	French
3168311	Seegene, Inc.	11/01/2012	3168311	16205399.5	
3168329	Siedentop GmbH	12/11/2015	3168329	15194329.7	German
3168676	Talex Optical Co., Ltd.	26/06/2015	3168676	15819273.2	
3168839	TOYOTA JIDOSHA KABUSHIKI KAISHA	11/06/2015	3168839	15819369.8	
3168939	Yazaki North America, Inc.	09/11/2016	3168939	16197920.8	
3169193	SELECT COMFORT CORPORATION	17/07/2015	3169193	15822566.4	
3169244	Koninklijke Philips N.V.	14/07/2015	3169244	15762708.4	
3169602	WestRock Packaging Systems, LLC	19/06/2015	3169602	15795062.7	
3170419	ASICS Corporation	08/10/2015	3170419	15871324.8	
3170629	FUJI Corporation	15/07/2014	3170629	14897647.5	
3171340	GRG Banking Equipment Co., Ltd.	01/07/2015	3171340	15822519.3	
3171744	Nestec S.A.	28/07/2015	3171744	15747130.1	
3171852	Colgate-Palmolive Company	21/07/2014	3171852	14747488.6	
3172007	Mitsubishi Electric Corporation	23/07/2015	3172007	15750825.0	
3172875	Big Switch Networks, Inc.	17/07/2015	3172875	15750855.7	
3173010	Ovesco Endoscopy AG	25/11/2015	3173010	15196319.6	
3173150	Airbus Operations (S.A.S.)	23/11/2016	3173150	16200179.6	French
3173166	SMS group GmbH	23/11/2016	3173166	16200278.6	German
3173585	MTU Aero Engines AG	25/10/2016	3173585	16195558.8	German
3173779	LAMTEC Meß- und Regeltechnik für Feuerungen GmbH	26/11/2016	3173779	16020467.3	German
3173966	Fenwal, Inc.	08/11/2016	3173966	16197656.8	
3174079	Power Idea Technology (Shenzhen) Co., Ltd.	26/07/2014	3174079	14898536.9	
3174188	Rockwell Automation Technologies, Inc.	24/11/2016	3174188	16200530.0	
3174861	Boehringer Ingelheim International GmbH	30/07/2015	3174861	15744229.4	
3174998	Moleculink AB	31/07/2015	3174998	15744928.1	
3175641	Qualcomm Incorporated	22/07/2015	3175641	15760531.2	
3176152	Linde Aktiengesellschaft	30/03/2016	3176152	16000734.0	German
3176328	Daeji Precision Industries Company Limited Cho, Hang Woo	03/03/2015	3176328	15826743.5	
3176407	IHI Corporation	27/08/2015	3176407	15859014.1	
3176667	Asco Numatics GmbH	04/12/2015	3176667	15198053.9	German

4038	(No. 2387)	<i>Patents Office Journal</i>		(12/06/2019)	
3176788	VIA Alliance Semiconductor Co., Ltd.	25/02/2016	3176788	16157240.9	
3176866	Hsu, Fu-Tzu Tu, Chieh-Sen	17/11/2016	3176866	16199410.8	
3177243	Whitehurst, Michael C. Lutz, Michael	04/08/2015	3177243	15830214.1	
3177364	Institut Hospitalier Universitaire de Strasbourg Université de Strasbourg Centre National de la Recherche Scientifique - CNRS	31/07/2015	3177364	15744587.5	
3177478	WiTricity Corporation	27/08/2015	3177478	15760354.9	
3177641	Probiocon GmbH	12/11/2015	3177641	15794549.4	
3178064	Ubisense Limited	30/07/2015	3178064	15748302.5	
3178944	Genomic Health, Inc.	07/01/2011	3178944	17153152.8	
3179087	HINO MOTORS, LTD.	31/07/2015	3179087	15829876.0	
3179155	Konnex B.V.	18/09/2015	3179155	16020499.6	German
3179765	Huawei Technologies Co. Ltd.	03/09/2014	3179765	14901070.4	
3179858	CELGENE CAR LLC	12/08/2015	3179858	15831372.6	
3180093	Werz, Matthias	13/08/2015	3180093	15750997.7	German
3180203	Volkswagen Aktiengesellschaft	09/07/2015	3180203	15738037.9	German
3180224	Meier, Wolfgang	13/08/2015	3180224	15766381.6	German
3180825	Illinois Tool Works Inc.	10/07/2015	3180825	15745635.1	
3181397	GRAMMER AG	23/11/2016	3181397	16200164.8	German
3181456	Hamilton Sundstrand Corporation	16/12/2016	3181456	16204835.9	
3181669	The Procter & Gamble Company	16/12/2015	3181669	15200549.2	
3181886	MAHLE Filter Systems Japan Corporation	11/11/2016	3181886	16198304.4	
3182028	Hamilton Sundstrand Corporation	30/11/2016	3182028	16201442.7	
3182152	Mitsubishi Electric Corporation	12/08/2014	3182152	14899693.7	
3182653	Whirlpool Corporation	14/11/2016	3182653	16198689.8	
3182849	Speedo International Limited	14/08/2015	3182849	15753157.5	
3182932	St. Jude Medical, Cardiology Division, Inc.	13/08/2015	3182932	15763117.7	
3183207	Automatic Bar Controls, Inc.	02/09/2015	3183207	15837365.4	
3183340	Arcticzymes AS Universitetet I Tromsø - Norges Arktiske Universitet	19/08/2015	3183340	15770444.6	
3183889	Cisco Technology, Inc.	15/05/2015	3183889	15727162.8	

3184401	Unique Product & Design Co., Ltd.	23/12/2016	3184401	16206799.5	
3184938	TGK CO., Ltd.	20/12/2016	3184938	16205290.6	
3185178	Idemia Identity & Security France	22/12/2016	3185178	16206495.0	French
3185355	Xiaomi Inc.	21/12/2016	3185355	16205892.9	
3185943	Koninklijke Philips N.V.	25/08/2015	3185943	15754210.1	
3185968	SATA GmbH & Co. KG	25/08/2015	3185968	15787129.4	German
3186362	Instytut Biochemii I Biofizyki Polskiej Akademii Nauk Instytut Immunologii I Terapii Doswiadczalnej Polskiej Akademii	31/08/2015	3186362	15797403.1	
3186462	Dobrovolny, Jiri	31/08/2015	3186462	15781856.8	
3187033	Ball Horticultural Company	22/12/2016	3187033	16206153.5	
3187287	Meidensha Corporation	27/08/2015	3187287	15839469.2	
3188257	LG ELECTRONICS INC.	27/12/2016	3188257	16206937.1	
3188556	LG Electronics Inc.	28/08/2015	3188556	15836611.2	
3188827	Exxonmobil Research And Engineering Company	28/08/2015	3188827	15760033.9	
3188923	Renault S.A.S.	20/08/2015	3188923	15759913.5	French
3188961	Maya	28/07/2015	3188961	15763043.5	French
3189366	Ostendo Technologies, Inc.	01/09/2015	3189366	15763730.7	
3189737	Sodetech	05/01/2017	3189737	17150430.1	French
3190151	Zeon Corporation	04/09/2015	3190151	15838570.8	
3190298	Bombardier Transportation GmbH	04/01/2017	3190298	17150219.8	German
3190329	LG Display Co., Ltd.	03/09/2014	3190329	14901133.0	
3190488	Fujikura Ltd.	25/12/2015	3190488	15873291.7	
3190613	A.L.M.T. Corp. Sumitomo Electric Industries, Ltd.	01/09/2015	3190613	15837587.3	
3190732	LG Electronics Inc.	02/09/2015	3190732	15839016.1	
3190927	Linak A/S	09/09/2015	3190927	15781291.8	
3191570	The Procter & Gamble Company	08/09/2015	3191570	15771325.6	
3191619	Covestro Deutschland AG	28/08/2015	3191619	15756399.0	German
3191905	Siemens Energy, Inc.	03/09/2015	3191905	15766688.4	
3192312	HFI Innovation Inc.	28/01/2016	3192312	16742772.3	
3192472	Japanese Organization for Medical Device Development, Inc.	19/08/2015	3192472	15840515.9	
3192542	Nikkiso Company Limited	11/09/2015	3192542	15839272.0	
3192739	David, Benjamin	09/01/2017	3192739	17150611.6	French
3192745	Georgia-Pacific Corrugated LLC	02/09/2011	3192745	17159609.1	

4040	(No. 2387)	<i>Patents Office Journal</i>		(12/06/2019)	
3192854	SIKEMIA	15/01/2016	3192854	16305041.2	French
3193006	GE Renewable Technologies	12/01/2016	3193006	16290007.0	
3193322	LG Display Co., Ltd.	23/12/2016	3193322	16206719.3	
3193326	Sony Corporation	04/06/2015	3193326	15840104.2	
3193331	Huawei Technologies Co., Ltd.	01/03/2013	3193331	16187948.1	
3193568	Marquardt GmbH	10/12/2003	3193568	17159040.9	German
3194214	Magna Mirrors Of America, Inc.	18/09/2015	3194214	15841787.3	
3194568	Institut National Des Sciences Appliquees Institut National de la Recherche Agronomique Centre National de la Recherche Scientifique (CNRS)	18/09/2015	3194568	15766154.7	
3194705	Premier Coil Solutions Inc.	07/08/2015	3194705	15829920.6	
3195558	Microsoft Technology Licensing, LLC	16/09/2015	3195558	15775039.9	
3195820	Moximed, Inc.	07/12/2012	3195820	17159670.3	
3196421	United Technologies Corporation	23/01/2017	3196421	17152611.4	
3196627	NTN Corporation	25/08/2015	3196627	15842121.4	
3196991	Fujikura Ltd.	15/06/2015	3196991	15838193.9	
3197012	ZTE Corporation	20/10/2014	3197012	14881923.8	
3197421	International Flavors & Fragrances Inc.	25/09/2015	3197421	15844096.6	
3197589	I-Stone GmbH	22/09/2015	3197589	15771071.6	
3197968	certoplast Technische Klebebänder GmbH	21/08/2015	3197968	15759691.7	German
3199450	Airbus Operations GmbH	29/01/2016	3199450	16153298.1	
3199587	Sumitomo Rubber Industries, Ltd.	16/10/2015	3199587	15850099.1	
3199638	Hirosaki University	24/09/2015	3199638	15844697.1	
3199796	Enplas Corporation	16/07/2015	3199796	15843839.0	
3199846	Eagle Industry Co., Ltd.	26/08/2015	3199846	15843801.0	
3200507	ZTE Corporation	18/03/2015	3200507	15803147.6	
3200542	Huawei Technologies Co., Ltd.	15/03/2016	3200542	16779490.8	
3201302	Evonik Degussa GmbH	02/09/2015	3201302	15760136.0	German
3201392	Stora Enso Oyj	30/09/2015	3201392	15847724.0	
3201881	Samsung Electronics Co., Ltd.	05/10/2015	3201881	15847378.5	
3201967	Johnson Controls Technology Company	15/06/2015	3201967	15738164.1	
3202019	Valeo Equipements Electriques Moteur	02/09/2015	3202019	15763965.9	French
3202585	Dai Nippon Printing Co., Ltd.	17/09/2015	3202585	15846060.0	
3202896	JTEC Corporation	30/09/2015	3202896	15845721.8	

3203337	B&R Industrial Automation GmbH	30/01/2017	3203337	17153690.7	German
3203466	Yamaha Corporation	18/09/2015	3203466	15846073.3	
3204751	Zebrasci, Inc.	26/02/2015	3204751	15848803.1	
3205017	Telefonaktiebolaget LM Ericsson (publ)	07/10/2014	3205017	14793647.0	
3205105	QUALCOMM INCORPORATED	09/10/2015	3205105	15787083.3	
3205253	Olympus Corporation	30/09/2015	3205253	15849015.1	
3205307	Mojito	10/02/2017	3205307	17155733.3	French
3205499	AKK GmbH	10/02/2016	3205499	16155066.0	German
3206511	International Tobacco Machinery Poland Sp. z o.o.	21/09/2015	3206511	15775643.8	
3208072	Leister Technologies AG	18/02/2016	3208072	16156237.6	German
3208252	Shin-Etsu Chemical Co., Ltd.	26/01/2017	3208252	17153310.2	
3208407	dormakaba Deutschland GmbH	17/02/2016	3208407	16156158.4	German
3208897	Fujikura, Ltd.	13/10/2015	3208897	15851587.4	
3209162	Sissons, Peter White, Siobain	23/10/2015	3209162	15790200.8	
3210096	Robert Bosch GmbH	21/10/2015	3210096	15852028.8	
3210310	AT&T Intellectual Property I, L.P.	21/09/2015	3210310	15775321.1	
3210878	Yanmar Co., Ltd.	24/08/2015	3210878	15852263.1	
3211212	General Electric Company	14/02/2017	3211212	17156019.6	
3211681	Samsung Electronics Co., Ltd. University of Utah Research Foundation	16/08/2016	3211681	16184356.0	
3211751	NXP B.V.	07/02/2017	3211751	17155023.9	
3212734	Merck Patent GmbH	01/10/2015	3212734	15778867.0	
3213146	Institut Mines Telecom - IMT Atlantique - Bretagne - Pays de la Loire NEXTER Systems	22/10/2015	3213146	15807686.9	French
3213260	Robert Bosch GmbH	13/10/2015	3213260	15780828.8	German
3213619	TTI (Macao Commercial Offshore) Limited	03/03/2017	3213619	17159227.2	
3214674	National University Corporation Yokohama National University	23/10/2015	3214674	15855521.9	
3214732	Hitachi Automotive Systems, Ltd.	21/10/2015	3214732	15854301.7	
3214978	Luigi Lavazza S.p.A.	23/10/2015	3214978	15790285.9	
3215019	St. Jude Medical, Cardiology Division, Inc.	10/12/2015	3215019	15817697.4	
3215070	Implantcast GmbH	06/11/2015	3215070	15805402.3	

3215218	Galvani Bioelectronics Limited Faculdade De Ciências Médicas Da Universidada Nova De Lisboa	03/11/2015	3215218	15816263.6	
3215639	The United States of America, as represented by The Secretary, Department of Health and Human Services	28/10/2015	3215639	15790793.2	
3216453	Dr. Kenneth Adams Medicine Professional Corporation	03/12/2010	3216453	17168653.8	
3216567	Black & Decker Inc.	02/11/2016	3216567	16196807.8	
3216660	Mitsuba Corporation	15/10/2015	3216660	15856785.9	
3216689	Monnin, Eric	10/03/2016	3216689	16159726.5	
3216703	ORTEC EXPANSION	06/03/2017	3216703	17159365.0	French
3216853	Airbus Defence and Space GmbH	10/03/2016	3216853	16159673.9	German
3217061	Mose, Wilfried	10/03/2017	3217061	17160323.6	German
3217645	Osram Opto Semiconductors GmbH	14/09/2010	3217645	17167911.1	German
3217801	Arla Foods a.m.b.a.	16/11/2015	3217801	15797639.0	
3217840	MAKROS SRL	06/10/2014	3217840	14815069.1	
3218359	Synvina C.V.	10/11/2015	3218359	15828680.7	
3218435	L'OREAL	18/12/2015	3218435	15871168.9	
3218536	Nanomedic Technologies Ltd.	10/11/2015	3218536	15859271.7	
3218564	PSA Automobiles SA	06/10/2015	3218564	15788150.9	French
3218980	Siemens Aktiengesellschaft	12/01/2015	3218980	15700448.2	German
3219019	Fraunhofer Gesellschaft zur Förderung der angewandten Forschung E.V.	13/10/2015	3219019	15781625.7	German
3219443	CEMBRE S.p.A.	10/03/2017	3219443	17160270.9	
3219626	L'AIR LIQUIDE, Société Anonyme pour l'Etude et l'Exploitation des Procédés Georges Claude	18/03/2016	3219626	16161147.0	
3219947	Isuzu Motors Limited	06/11/2015	3219947	15859011.7	
3220066	Techem Energy Services GmbH	01/03/2017	3220066	17158628.2	German
3220770	SEB S.A.	16/11/2015	3220770	15808723.9	French
3220830	Koninklijke Philips N.V.	11/11/2015	3220830	15793828.3	
3220836	Ethicon, Inc.	17/11/2015	3220836	15801300.3	
3220987	McNeil AB	17/11/2015	3220987	15797077.3	
3221235	Sonoco Development, Inc.	18/11/2015	3221235	15804234.1	
3222259	Palfinger Tail Lifts GmbH	12/10/2016	3222259	17000805.6	German
3222955	JVC KENWOOD Corporation	22/03/2017	3222955	17162338.2	

3223060	Lumus Ltd	09/09/2004	3223060	17163372.0	
3223413	Rolls-Royce plc	27/02/2017	3223413	17158084.8	
3223833	Matoke Holdings Limited	24/11/2015	3223833	15804915.5	
3224291	BASF SE	26/11/2015	3224291	15801796.2	
3224305	Teknologian tutkimuskeskus VTT Oy	30/11/2015	3224305	15862244.9	
3225660	KYOCERA Corporation	05/11/2015	3225660	15862296.9	
3225918	LG Electronics Inc.	27/03/2017	3225918	17163052.8	
3226306	Riken	17/09/2015	3226306	15856885.7	
3226471	Wipro Limited	19/07/2016	3226471	16180239.2	
3226575	Sonos, Inc.	23/03/2017	3226575	17000484.0	
3226760	Mergent B.V.	04/12/2015	3226760	15841083.7	
3227166	TRW Automotive GmbH	06/10/2015	3227166	15781603.4	German
3227291	Council of Scientific and Industrial Research	21/10/2015	3227291	15807703.2	
3227903	MKS Instruments, Inc.	02/12/2015	3227903	15865151.3	
3228696	Honda Motor Co., Ltd.	05/12/2014	3228696	14907207.6	
3228807	Hawle Water Technology Norge AS	06/04/2016	3228807	16164117.0	
3229139	Huawei Technologies Co., Ltd.	31/12/2014	3229139	17150332.9	
3229959	Life Technologies AS Life Technologies Corporation Thermo Fisher Scientific GENEART GmbH	09/12/2015	3229959	15823227.2	
3229975	The Trustees of the Selectacoat Pension Scheme	09/02/2016	3229975	16703778.7	
3231546	Tecna S.p.A.	12/04/2017	3231546	17166192.9	
3231720	Webomatic Maschinenfabrik GmbH	12/04/2016	3231720	16164917.3	German
3231766	Grunwald GmbH	10/03/2017	3231766	17160359.0	German
3231914	Changzhou Wujin Wuyang Textile Machinery Co.,Ltd.	15/04/2015	3231914	15867128.9	
3232269	Goo Chemical Co., Ltd.	10/12/2014	3232269	14907950.1	
3232827	Philip Morris Products S.A.	18/12/2015	3232827	15820492.5	
3233607	Joyson Safety Systems Germany GmbH	01/12/2015	3233607	15808554.8	German
3233820	V. Mane Fils	14/12/2015	3233820	15828740.9	French
3233844	GlaxoSmithKline Intellectual Property Development Limited	17/12/2015	3233844	15810681.5	
3233924	Sanofi Pasteur	18/12/2015	3233924	15817288.2	
3234255	Electrolux Appliances Aktiebolag	16/12/2014	3234255	14823954.4	
3234499	Korach, Haim	25/11/2015	3234499	15869463.8	

4044	(No. 2387)	Patents Office Journal	(12/06/2019)		
3235146	Huawei Technologies Co. Ltd.	15/12/2015	3235146	15877676.5	
3235440	Perimetrics, LLC	18/06/2011	3235440	17168221.4	
3235472	Kowa Company, Ltd.	01/12/2011	3235472	17174158.0	
3235714	Yamaha Hatsudoki Kabushiki Kaisha	18/12/2015	3235714	15870099.7	
3235747	Kyoraku Co., Ltd.	09/12/2015	3235747	15869873.8	
3237676	Kemira Oyj	03/12/2015	3237676	15808256.0	
3238306	Wago Verwaltungsgesellschaft mbH	17/12/2015	3238306	15826021.6	German
3238482	Telefonaktiebolaget LM Ericsson (publ)	22/12/2014	3238482	14837027.3	
3239701	Rigaku Corporation	02/10/2015	3239701	15872403.9	
3240263	Aisin AW Co., Ltd.	22/12/2015	3240263	15873030.9	
	TOYOTA JIDOSHA KABUSHIKI KAISHA				
3240604	The Spectranetics Corporation	30/12/2015	3240604	15876308.6	
3242446	Huawei Technologies Co. Ltd.	20/01/2016	3242446	16739797.5	
3243925	Mitsubishi Heavy Industries Aero Engines, Ltd.	09/02/2016	3243925	16749232.1	
3244593	Samsung Display Co., Ltd.	16/01/2017	3244593	17151617.2	
3245128	CAYAGO TEC GmbH	12/01/2016	3245128	16700698.0	German
3245255	PolyOne Corporation	11/01/2016	3245255	16737679.7	
3245350	IWIS Insulation Waterproofing Industrial Systems S.R.L.	15/01/2015	3245350	15704835.6	
3245737	IHP GmbH-Innovations for High Performance Microelectronics / Leibniz-Institut für innovative Mikroelektronik	15/01/2016	3245737	16700822.6	German
3245873	Bayer CropScience Aktiengesellschaft	08/07/2014	3245873	17179957.0	German
3245990	National University of Ireland, Maynooth	21/11/2011	3245990	17162598.1	
3246126	Flexxaire Inc.	15/05/2017	3246126	17171092.4	
3246204	STANLEY ELECTRIC CO., LTD.	16/05/2017	3246204	17171316.7	
3246216	Joyson Safety Systems Japan K.K.	16/10/2015	3246216	15877918.1	
3246759	Canon Kabushiki Kaisha	07/10/2010	3246759	17171699.6	
3247020	Panasonic Intellectual Property Management Co., Ltd.	21/12/2015	3247020	15877764.9	
3247039	Qualcomm Incorporated	24/06/2012	3247039	17177957.2	
3247148	Huawei Technologies Co., Ltd.	29/10/2015	3247148	15881816.1	
3247233	Nicoventures Holdings Limited	21/01/2016	3247233	16701857.1	
3247272	Ford Global Technologies, LLC	14/01/2016	3247272	16700709.5	German

3247620	Rasmussen Maritime Design AS	21/12/2015	3247620	15817835.0	
3247699	Sanofi-Aventis Deutschland GmbH	21/01/2016	3247699	16701157.6	
3247852	Delta Zbigniew Rózycki	09/11/2015	3247852	15820659.9	
3247972	ATLAS ELEKTRONIK GmbH	05/01/2016	3247972	16707616.5	German
3248268	WiTricity Corporation	21/01/2016	3248268	16703410.7	
3248434	Qualcomm Incorporated	07/01/2016	3248434	16706023.5	
3248481	JT International SA	03/11/2015	3248481	17170100.6	
3248572	Swiss Capital - Engineering AG	26/05/2016	3248572	16171467.0	
3248638	B. Braun Melsungen AG	14/03/2014	3248638	17181793.5	
3249101	Caterpillar Paving Products Inc.	23/05/2016	3249101	16170841.7	
3249215	WTF Engineering OÜ	03/02/2017	3249215	17154651.8	
3249334	Hamilton Sundstrand Corporation	23/05/2017	3249334	17172475.0	
3249583	Nidec Sankyo Corporation	27/09/2013	3249583	17176447.5	
3249869	Telefonaktiebolaget LM Ericsson (publ)	31/03/2008	3249869	17179776.4	
3250294	Henkel AG & Co. KGaA	12/11/2015	3250294	15793842.4	German
3250302	Studio24 S.r.l.	28/01/2016	3250302	16717486.1	
3251126	Framatome GmbH	19/01/2016	3251126	16700992.7	
3251864	Sato Holdings Kabushiki Kaisha	08/04/2015	3251864	15880033.4	
3252211	Electrolux Appliances Aktiebolag	03/06/2016	3252211	16172901.7	
3252710	GRG Banking Equipment Co., Ltd.	13/07/2015	3252710	15879610.2	
3253352	Maquet GmbH	01/02/2016	3253352	16701977.7	German
3253362	Henkel AG & Co. KGaA	30/10/2015	3253362	15788390.1	German
3253743	Dermira, Inc.	04/02/2016	3253743	16706095.3	
3254217	Qualcomm Incorporated	08/01/2016	3254217	16704721.6	
3254398	Telefonaktiebolaget LM Ericsson (publ)	04/02/2015	3254398	15880718.0	
3254675	Reata Pharmaceuticals, Inc.	12/02/2010	3254675	17181174.8	
3254962	Bell Helicopter Textron Inc.	02/06/2017	3254962	17174294.3	
3254983	Cabka GmbH & Co. KG	08/06/2016	3254983	16173533.7	German
3255146	Pangu Biopharma Limited aTyr Pharma, Inc.	16/03/2010	3255146	17169885.5	
3255208	EPS ITALIA SRL	09/06/2017	3255208	17175384.1	
3255242	Inflowcontrol AS	06/03/2013	3255242	17177372.4	
3255488	View, Inc.	31/03/2010	3255488	17179038.9	
3255496	Xerox Corporation	02/06/2017	3255496	17174405.5	
3256848	The University of Liverpool	12/02/2016	3256848	16704919.6	
3257108	Telefonaktiebolaget LM Ericsson (publ)	12/02/2015	3257108	15704531.1	
3257467	Colgate-Palmolive Company	29/12/2004	3257467	17180872.8	
3257734	Ergon International GmbH	13/06/2017	3257734	17175648.9	German

4046	(No. 2387)	<i>Patents Office Journal</i>		(12/06/2019)	
3257981	Trützschler GmbH & Co. KG	24/03/2017	3257981	17162766.4	German
3258479	IMS Nanofabrication GmbH	08/06/2017	3258479	17175033.4	
3258771	CNH Industrial Belgium nv	28/12/2015	3258771	15830937.7	
3258905	Unilever PLC	15/02/2016	3258905	16704615.0	
3260082	Colgate-Palmolive Company	18/12/2009	3260082	17182033.5	
3260178	Salomon S.A.S.	07/09/2015	3260178	17184665.2	French
3260212	Sund Birsta AB	20/06/2016	3260212	16175294.4	
3260342	Haldex Brake Products Corporation	14/03/2013	3260342	17180119.4	
3260541	CureVac AG	27/03/2013	3260541	17001061.5	
3260632	SIHGA GmbH	13/06/2017	3260632	17000997.1	German
3260639	Metalglas Bonomi S.r.l.	20/06/2017	3260639	17176912.8	
3260776	Steinmüller Engineering GmbH	20/06/2016	3260776	16175167.2	German
3261475	Honeywell International Inc.	15/02/2016	3261475	16709853.2	
3261755	EKATO Rühr- und Mischtechnik GmbH	22/02/2016	3261755	16705938.5	German
3261823	Volkswagen Aktiengesellschaft BASF SE	15/02/2016	3261823	16705425.3	German
3262221	Kipas Mensucat Isletmeleri Anonim Sirketi	28/12/2016	3262221	16836182.2	
3262465	Merck Patent GmbH AZ Electronic Materials (Luxembourg) S.à.r.l.	05/02/2016	3262465	16703714.2	
3262809	Frequentis AG	18/02/2016	3262809	16709684.1	German
3262926	Enplas Corporation	23/02/2016	3262926	16755441.9	
3262932	Regeneron Pharmaceuticals, Inc.	26/10/2012	3262932	17184955.7	
3263665	3M Innovative Properties Company	30/06/2016	3263665	16177176.1	
3263744	Commissariat à l'énergie atomique et aux énergies alternatives Université de Lorraine	30/06/2017	3263744	17179196.5	French
3263795	Wong, Seng Leow, Geok Mui Heng, Kim Huat	13/06/2017	3263795	17175623.2	
3263983	OSRAM GmbH	26/06/2017	3263983	17177797.2	
3264703	Intel IP Corporation	01/06/2017	3264703	17174093.9	
3264861	NXP USA, Inc.	27/06/2017	3264861	17178213.9	
3265095	Les Hôpitaux Universitaires de Genève Universität Zürich Université de Genève	02/03/2016	3265095	16709145.3	

3265459	Suven Life Sciences Limited	07/01/2016	3265459	16711355.4	
3265495	BASF SE	03/03/2016	3265495	16707761.9	German
3265653	Turboden S.p.A.	01/03/2016	3265653	16713990.6	
3265697	Valeo Systemes Thermiques	18/01/2016	3265697	16700828.3	French
3265746	Davey Bickford	29/02/2016	3265746	16712958.4	French
3266550	Newfrey LLC	23/06/2017	3266550	17177586.9	
3266695	CAMPAGNOLO S.R.L.	22/06/2017	3266695	17177296.5	
3266814	Garmor Inc.	23/10/2012	3266814	17185605.7	
3267099	GLP German Light Products GmbH	18/03/2016	3267099	17183548.1	German
3267316	Delta Electronics (Shanghai) Co., Ltd.	28/06/2017	3267316	17178524.9	
3267415	LindaCare NV	07/07/2016	3267415	16178399.8	
3267493	Commissariat à l'énergie atomique et aux énergies alternatives	05/07/2017	3267493	17179780.6	French
3267588	Commissariat à l'Energie Atomique et aux Energies Alternatives	04/07/2017	3267588	17179661.8	
3267700	VOLKSWAGEN AKTIENGESELLSCHAFT	12/06/2017	3267700	17175397.3	German
3268289	Crown Packaging Technology, Inc.	07/03/2016	3268289	16709543.9	
3268398	Basell Poliolefine Italia S.r.l.	08/03/2016	3268398	16709346.7	
3268400	Centre National de la Recherche Scientifique CPE Lyon Formation Continue et Recherche - CPE Lyon FCR Université Claude Bernard Lyon 1	09/03/2016	3268400	16709385.5	
3269620	Zephyros Inc.	14/03/2013	3269620	17179549.5	
3269741	The Goodyear Tire & Rubber Company	10/07/2017	3269741	17180451.1	
3269900	SIHGA GmbH	04/07/2017	3269900	17001140.7	German
3269916	Delphia	03/07/2017	3269916	17179253.4	French
3269931	Rolls-Royce plc	03/10/2013	3269931	17184894.8	
3270002	Nabtesco Corporation	05/07/2017	3270002	17179682.4	
3270039	Valeo Iluminacion	04/07/2017	3270039	17179481.1	French
3270401	Thermik Gerätebau GmbH	11/07/2016	3270401	16178866.6	German
3270469	Tyco Electronics (Shanghai) Co. Ltd.	05/07/2017	3270469	17179681.6	
3270678	Illinois Tool Works, Inc.	21/07/2014	3270678	17187642.8	
3270795	H & B Electronic GmbH & Co. KG	15/03/2016	3270795	16711800.9	German
3271185	Habasit AG	10/03/2016	3271185	16709393.9	
3271349	GlaxoSmithKline Intellectual Property Development Limited	17/03/2016	3271349	16710214.4	

4048	(No. 2387)	<i>Patents Office Journal</i>		(12/06/2019)	
3271540	Renson Sunprotection-Screens NV	09/01/2017	3271540	17700877.8	
3271653	SchwoererHaus KG	19/03/2015	3271653	15741743.7	German
3271667	Smartvolt AG	09/12/2015	3271667	15808377.4	
3272276	National University Corporation Asahikawa Medical University Kabushiki Kaisha Topcon	08/03/2013	3272276	17184898.9	
3272588	Faurecia Intérieur Industrie	11/07/2017	3272588	17180750.6	French
3272589	MAN Truck & Bus AG	04/07/2017	3272589	17179537.0	German
3272698	Giema GmbH	21/07/2017	3272698	17182530.0	German
3272714	Doosan Heavy Industries & Construction Co., Ltd.	10/03/2016	3272714	17188076.8	
3272760	Evonik Degussa GmbH	19/07/2016	3272760	16180056.0	German
3272918	Staubli Faverges	21/07/2017	3272918	17182512.8	French
3272940	Bayards Aluminium Constructies B.V.	24/07/2017	3272940	17182769.4	
3272997	Weatherford Technology Holdings, LLC	09/06/2014	3272997	17188254.1	
3273325	IMEC vzw	18/07/2017	3273325	17181763.8	
3273358	Huawei Technologies Co., Ltd.	28/06/2014	3273358	17182017.8	
3273417	HPB Optoelectronics (SZ) Co Ltd	18/07/2017	3273417	17181942.8	
3273458	Schneider Electric Industries SAS	13/03/2017	3273458	17160603.1	French
3273613	Peraso Technologies Inc.	18/07/2017	3273613	17181953.5	
3274062	Antonio Zamperla S.p.A.	24/03/2016	3274062	16711676.3	
3274161	Deutsche Institute für Textil- und Faserforschung Denkendorf	22/03/2016	3274161	16719777.1	German
3274273	Numa-Beaujour, Sylvia	24/03/2016	3274273	16718411.8	French
3274381	ExxonMobil Chemical Patents Inc.	19/04/2016	3274381	16719679.9	
3275686	Giesecke+Devrient Currency Technology GmbH	20/07/2017	3275686	17001246.2	German
3275691	DT Swiss AG	26/07/2017	3275691	17183409.6	German
3275692	DT Swiss AG	26/07/2017	3275692	17183406.2	German
3275693	DT Swiss AG	26/07/2017	3275693	17183412.0	German
3275694	DT Swiss AG	26/07/2017	3275694	17183420.3	German
3275708	Inalfa Roof Systems Group B.V.	28/07/2016	3275708	16181793.7	
3275759	Bombardier Transportation GmbH	27/07/2017	3275759	17183568.9	German
3275793	Emmebi System S.r.l.	19/07/2017	3275793	17182156.4	
3275798	Oscartielle S.p.A.	26/07/2017	3275798	17183321.3	
3275813	Laitram, L.L.C.	25/09/2013	3275813	17186186.7	
3275845	MaXXcon Energie GmbH & Co. KG	20/07/2017	3275845	17182341.2	German

3276199	Huang, Jui-Fa	22/05/2017	3276199	17000877.5	
3276311	WATTS INDUSTRIES ITALIA S.r.l.	25/07/2017	3276311	17182972.4	
3276426	Xerox Corporation	20/07/2017	3276426	17182340.4	
3276433	Omega SA	26/07/2016	3276433	16181143.5	French
3276462	Samsung Display Co., Ltd.	27/07/2017	3276462	17183505.1	
3276492	Amazon Technologies, Inc.	26/10/2010	3276492	17186495.2	
3276896	Juniper Networks, Inc.	23/03/2015	3276896	17187579.2	
3277217	Leone S.p.A.	23/03/2016	3277217	16723183.6	
3277418	Saipem S.p.A.	01/04/2016	3277418	16722940.0	
3277421	SMH Co., Ltd.	29/06/2016	3277421	16732668.5	
3277657	BASF SE	30/03/2016	3277657	16712342.1	German
3277968	Aktiebolaget SKF	24/03/2016	3277968	16727534.6	
3278201	Google LLC	08/12/2015	3278201	15826078.6	
3278375	Koninklijke Philips N.V.	24/03/2016	3278375	16712818.0	
3278450	Qualcomm Incorporated	09/03/2016	3278450	16711472.7	
3278685	Nolangroup S.p.A.	02/08/2017	3278685	17184474.9	
3278893	Mille S.r.l.	03/08/2017	3278893	17184807.0	
3279668	National Institute of Advanced Industrial Science and Technology	16/12/2011	3279668	17184546.4	
3279829	Hand Held Products, Inc.	30/01/2012	3279829	17190778.5	
3279982	Robert Bosch GmbH	05/08/2016	3279982	16183015.3	
3280722	Biotechnologicky Ustav AV CR, v.v.i. Ustav organicke chemie a biochemie AV CR, v.v.i.	08/04/2016	3280722	16721001.2	
3281197	Fraunhofer Gesellschaft zur Förderung der angewandten Forschung E.V.	06/04/2016	3281197	16714448.4	
3281452	Intel Corporation	24/12/2015	3281452	15828794.6	
3281508	Deere & Company	11/07/2017	3281508	17180823.1	
3281529	VEMAG Maschinenbau GmbH	04/08/2017	3281529	17184953.2	German
3281555	O.M.M. Srl dell'Ing. Roberto Natale Mariani	08/08/2017	3281555	17185311.2	
3281557	CIAR S.P.A.	20/07/2017	3281557	17182290.1	
3281726	SLM Solutions Group AG	09/08/2016	3281726	16183393.4	
3281737	Eberspächer Exhaust Technology GmbH & Co. KG	31/07/2017	3281737	17183977.2	German
3281824	LG Electronics Inc.	07/08/2017	3281824	17185072.0	
3282050	Whirlpool Corporation	31/07/2017	3282050	17184083.8	
3282083	Varel International Ind., L.P.	07/08/2017	3282083	17185066.2	

4050	(No. 2387)	<i>Patents Office Journal</i>		(12/06/2019)	
3282432	Honeywell International Inc.	09/08/2017	3282432	17185613.1	
3282464	Siemens Aktiengesellschaft	11/07/2017	3282464	17180648.2	German
3282542	Alfred Kärcher SE & Co. KG	14/08/2017	3282542	17186084.4	German
3282624	Alcatel Lucent	10/08/2016	3282624	16290149.0	
3282815	Electrolux Appliances Aktiebolag	08/08/2016	3282815	16183254.8	
3282976	Teixeira Dos Santos Paulo, Nelson Jorge	13/04/2016	3282976	16723161.2	
3283039	National University of Ireland Galway	15/04/2016	3283039	16717610.6	
3283362	PIAGGIO & C. S.p.A.	08/04/2016	3283362	16719523.9	
3283696	Caterpillar SARL	13/04/2016	3283696	16715596.9	
3283733	MAN Energy Solutions SE	31/03/2016	3283733	16712909.7	German
3284503	Edwards Lifesciences Corporation	14/07/2010	3284503	17190971.6	
3284714	Fraunhofer-Gesellschaft zur Förderung der angewandten Forschung e.V.	21/08/2017	3284714	17187125.4	German
3284978	Nissan Motor Co., Ltd.	08/04/2016	3284978	16779992.3	
3285154	LG Electronics Inc.	16/08/2017	3285154	17186510.8	
3285329	Honeywell International Inc.	16/08/2017	3285329	17186403.6	
3285407	Sony Mobile Communications, Inc	16/08/2016	3285407	16184391.7	
3285425	Datang Mobile Communications Equipment Co., Ltd.	21/01/2016	3285425	16779411.4	
3285897	Peiler, Joachim	13/04/2016	3285897	16732947.3	German
3286073	ThyssenKrupp Marine Systems GmbH thyssenkrupp AG	09/03/2016	3286073	16710123.7	German
3286972	Intel IP Corporation	22/12/2015	3286972	15823903.8	
3287031	Aria S.r.l.	21/08/2017	3287031	17187091.8	
3287090	Covidien LP	22/08/2017	3287090	17187177.5	
3287404	KONE Corporation	01/11/2010	3287404	17188256.6	
3287508	Limited Liability Company "INOIL"	03/03/2016	3287508	16724745.1	
3287578	FAP S.r.l.	24/08/2017	3287578	17187722.8	
3287629	Rolls-Royce Corporation	24/07/2017	3287629	17182790.0	
3287663	iwis antriebssysteme GmbH & Co. KG	24/08/2017	3287663	17187713.7	German
3288070	Semiconductor Manufacturing International (Shanghai) Corporation Semiconductor Manufacturing International (Beijing) Corporation	16/08/2017	3288070	17186344.2	
3288135	LG Chem, Ltd.	04/08/2016	3288135	16842131.1	
3288218	Optis Cellular Technology, LLC	10/09/2008	3288218	17193618.0	
3288640	Herb Uk Limited	21/03/2016	3288640	16713023.6	

3289886	Mars, Incorporated	12/01/2011	3289886	17196882.9	
3290035	Vanquish Oncology, Inc. The Board of Trustees of the University of Illinois The Johns Hopkins University	06/03/2013	3290035	17180400.8	
3290222	Müller Martini Holding AG	28/08/2017	3290222	17188066.9	German
3290418	Wuxi Fortune Pharmaceutical Co., Ltd	26/04/2016	3290418	16785915.6	
3290500	Richli, Remo	25/08/2017	3290500	17020388.9	German
3290501	Richli, Remo	25/08/2017	3290501	17020387.1	German
3290681	Bayerische Motoren Werke Aktiengesellschaft	24/07/2017	3290681	17182711.6	German
3290724	Carl Freudenberg KG	14/08/2017	3290724	17186172.7	
3290737	Stabilus GmbH	24/08/2017	3290737	17187728.5	German
3290758	Pierburg GmbH	30/08/2017	3290758	17188471.1	German
3290783	Harman Professional Denmark ApS	14/07/2017	3290783	17181370.2	
3290785	Zedel	28/08/2017	3290785	17188218.6	French
3290787	OSRAM GmbH	16/08/2017	3290787	17186384.8	
3290824	SunPower Corporation	30/08/2017	3290824	17188452.1	
3290931	ABB Schweiz AG	02/09/2016	3290931	16187127.2	
3290998	Samsung Display Co., Ltd.	29/08/2017	3290998	17188231.9	
3291252	Ogura Clutch Co., Ltd.	02/08/2017	3291252	17184503.5	
3291763	Trisa Holding AG	20/04/2016	3291763	16721689.4	German
3291952	Berhalter AG	23/03/2016	3291952	16716454.0	German
3292350	Sumitomo SHI FW Energia Oy	22/03/2017	3292350	17715959.7	
3292727	Qualcomm Incorporated	22/04/2016	3292727	16720302.5	
3292794	Zhejiang Natural Outdoor Goods Inc.	01/08/2017	3292794	17184247.9	
3292808	Whirlpool Corporation	21/09/2012	3292808	17194615.5	
3292818	Poly Medicure Limited	07/09/2010	3292818	17199090.6	
3292826	Ethicon LLC	28/01/2010	3292826	17196212.9	
3292867	Université de Liège	09/09/2016	3292867	16188201.4	
3292896	Mattel, Inc.	29/08/2011	3292896	17190307.3	
3292932	Ott-Jakob Spanntechnik GmbH	17/07/2017	3292932	17181602.8	German
3293035	ALSTOM Transport Technologies	23/08/2017	3293035	17187571.9	French
3293062	Simol S.P.A.	01/08/2017	3293062	17184301.4	
3293159	Baunit Beteiligungen GmbH	17/07/2017	3293159	17181584.8	German
3293399	Miele & Cie. KG	09/08/2017	3293399	17185430.0	German
3293451	Zedel	28/08/2017	3293451	17188219.4	French
3293516	NGK Spark Plug Co., Ltd.	04/09/2017	3293516	17189261.5	

4052	(No. 2387)	Patents Office Journal	(12/06/2019)		
3293611	Apple Inc.	21/06/2017	3293611	17177493.8	
3293670	Aptiv Technologies Limited	30/08/2017	3293670	17188612.0	
3293734	Dolby International AB	08/09/2014	3293734	17185213.0	
3293952	Guangdong Oppo Mobile Telecommunications Corp., Ltd	16/08/2017	3293952	17186377.2	
3295110	Fabbrica d'Armi Pietro Beretta S.p.A.	30/03/2016	3295110	16723517.5	
3295257	Dualitas Ltd.	22/12/2016	3295257	16822728.8	
3295530	HPS GmbH Berlin Hochspannungsprüfungen & Beratung IPH Institut "Prüffeld für elektrische Hochleistungstechnik" GmbH Polymeric GmbH BAM Bundesanstalt für Materialforschung und -prüfung	10/05/2016	3295530	16733276.6	German
3295704	Intel IP Corporation	23/12/2015	3295704	15828896.9	
3295864	Carl Zeiss Vision International GmbH	15/09/2016	3295864	16188905.0	
3295963	Latoschinski, Jürgen	07/09/2017	3295963	17189759.8	German
3295967	Milliken & Company	27/02/2006	3295967	17197503.0	
3295975	B. Braun Avitum AG	23/08/2017	3295975	17187517.2	German
3296125	VBG Group AB (Publ)	15/09/2016	3296125	16189019.9	
3296224	Tetra Laval Holdings & Finance S.A.	18/09/2017	3296224	17191694.3	
3296387	Siemens Aktiengesellschaft	16/09/2016	3296387	16189105.6	German
3296428	ATOTECH Deutschland GmbH	16/09/2016	3296428	16189278.1	
3296613	L'AIR LIQUIDE SOCIETE ANONYME POUR L'ETUDE ET L'EXPLOITATION DES PROCEDES GEORGES CLAUDE	25/07/2017	3296613	17182891.6	French
3296664	LG ELECTRONICS INC.	18/09/2017	3296664	17191590.3	
3296670	Rittal GmbH & Co. KG	27/06/2017	3296670	17178038.0	German
3296773	Honeywell International Inc.	21/08/2009	3296773	17178296.4	
3296917	Bastille Networks, Inc.	02/06/2015	3296917	17189635.0	
3297135	Ikeda, Kydo	22/02/2016	3297135	16796139.0	
3297263	LG Electronics Inc.	10/01/2013	3297263	17200846.8	
3297265	Universal Electronics, Inc.	19/03/2009	3297265	17192835.1	
3297761	NETZSCH-Feinmahltechnik GmbH	24/02/2016	3297761	16714215.7	German
3297987	Integrative Research Laboratories Sweden AB	20/05/2016	3297987	16724046.4	
3298753	Qualcomm Incorporated	04/04/2016	3298753	16718071.0	

3298922	Sabelt S.p.A.	19/09/2017	3298922	17191880.8	
3298934	Carimali S.p.A. Con Socio Unico	15/09/2017	3298934	17191458.3	
3299252	Kabushiki Kaisha Tokai Rika Denki Seisakusho	25/09/2017	3299252	17192825.2	
3299329	Otis Elevator Company	23/09/2016	3299329	16190397.6	
3299517	Seiko Epson Corporation	16/03/2016	3299517	17196012.3	
3299637	Jungheinrich Aktiengesellschaft	19/09/2017	3299637	17191979.8	German
3299708	Fraen Corporation S.r.l.	28/12/2012	3299708	17198516.1	
3299891	BASF SE	01/07/2013	3299891	17195200.5	
3299897	Toshiba TEC Kabushiki Kaisha KABUSHIKI KAISHA TOSHIBA	22/09/2017	3299897	17192598.5	
3300493	Wittur Holding GmbH	18/05/2017	3300493	17734467.8	
3300746	Molecular Insight Pharmaceuticals, Inc.	10/01/2014	3300746	17187271.6	
3300803	F. Hoffmann-La Roche AG	30/09/2016	3300803	16191771.1	
3300834	United Technologies Corporation	04/03/2016	3300834	17202625.4	
3300914	Shachihata Inc.	25/09/2017	3300914	17192876.5	
3300963	PSA Automobiles SA	22/08/2017	3300963	17187279.9	French
3300967	Valeo Systèmes d'Essuyage	28/08/2017	3300967	17188098.2	French
3300968	Valeo Systèmes d'Essuyage	28/08/2017	3300968	17188099.0	French
3300977	Mitsubishi Jidosha Kogyo Kabushiki Kaisha	27/09/2017	3300977	17193530.7	
3300979	LG Electronics Inc.	27/06/2017	3300979	17178016.6	
3301036	Hoffmann Neopac AG	29/08/2017	3301036	17188225.1	German
3301210	Deutsche Institute für Textil- und Faserforschung Denkendorf	20/03/2015	3301210	17172464.4	German
3301298	SMR Patents S.à.r.l.	04/11/2016	3301298	17200543.1	German
3301404	SICK ATech GmbH	13/09/2017	3301404	17190968.2	German
3301602	Google LLC	23/10/2014	3301602	17192419.4	
3301645	Given Imaging Ltd.	01/10/2014	3301645	17202270.9	
3301739	Toshiba Fuel Cell Power Systems Corporation	22/06/2017	3301739	17177519.0	
3301741	Sumitomo Osaka Cement Co., Ltd	15/02/2017	3301741	17156172.3	
3301897	LENOVO ENTERPRISE SOLUTIONS (SINGAPORE) PTE. LTD.	27/09/2017	3301897	17193431.8	
3301956	Qualcomm Incorporated	02/04/2015	3301956	17201713.9	
3302016	Lemken GmbH & Co. KG	25/05/2016	3302016	16731497.0	German
3302115	Rosenbauer International AG	03/06/2016	3302115	16738052.6	German
3302364	Epygon	03/06/2016	3302364	16732955.6	

4054	(No. 2387)	Patents Office Journal	(12/06/2019)		
3302655	Novo Nordisk A/S	27/05/2016	3302655	16726526.3	
3302989	Avery Dennison Retail Information Services, LLC	26/05/2016	3302989	16728491.8	
3303154	Marchesini Group S.p.A.	26/05/2016	3303154	16734743.4	
3303233	Pilkington Group Limited	27/05/2016	3303233	16726394.6	
3304101	AGT S.r.l. LISO S.r.l.	03/06/2016	3304101	16745859.5	
3304633	TBS Engineering Limited	03/06/2016	3304633	16736553.5	
3305073	Samumed, LLC	15/12/2010	3305073	17187452.2	
3305252	Stryker European Holdings I, LLC	22/10/2014	3305252	17192912.8	
3305284	ALLERGAN, INC.	07/01/2004	3305284	17188114.7	
3305512	Pirelli Tyre S.p.A.	30/09/2013	3305512	17202371.5	
3305516	Giemme S.A.S. di Corradini Marco & C.	03/10/2017	3305516	17194592.6	
3305521	Koshcheeva, Anastasiya Claus, Burghard	06/10/2016	3305521	16192563.1	
3305624	NEXTER Systems	20/09/2017	3305624	17192216.4	French
3305627	R.P.F. S.p.A.	03/10/2017	3305627	17194527.2	
3306002	SAINT-GOBAIN CONSTRUCTION PRODUCTS Saint-Gobain Isover	02/10/2017	3306002	17194391.3	
3306073	Yamaha Hatsudoki Kabushiki Kaisha	22/09/2017	3306073	17192707.2	
3306261	Panda Consumer GmbH	22/09/2017	3306261	17192521.7	German
3306312	Thermo Fisher Scientific S.p.A	10/10/2016	3306312	16425096.1	
3306350	Thales	06/10/2017	3306350	17195219.5	French
3306399	Mitsubishi Chemical Corporation	01/06/2016	3306399	16803383.5	
3306400	Mitsubishi Chemical Corporation	01/06/2016	3306400	16803403.1	
3306411	Konica Minolta, Inc.	02/10/2017	3306411	17194326.9	
3306678	Commissariat à l'Energie Atomique et aux Energies Alternatives	10/10/2017	3306678	17195579.2	French
3306737	Microvast Power Systems Co., Ltd.	20/07/2015	3306737	15898530.9	
3307496	KUKA Deutschland GmbH	09/06/2016	3307496	16728929.7	German
3307804	BASF Coatings GmbH	01/06/2016	3307804	16727448.9	German
3307850	Nettenergy B.V.	10/06/2016	3307850	16745200.2	
3308144	Gas Measurement Instruments Ltd.	27/07/2016	3308144	16760537.7	
3308681	Whirlpool Corporation	11/10/2017	3308681	17196044.6	
3308682	Müller Mechanik GmbH & Co. KG	28/09/2017	3308682	17193631.3	German
3309099	Murata Machinery, Ltd.	10/10/2017	3309099	17195655.0	

3309197	JSP Corporation	13/07/2016	3309197	16824474.7	
3309493	Binici, Paris Aldemir, Alper	11/10/2017	3309493	17195940.6	
3309650	PopSockets LLC	14/03/2012	3309650	17186392.1	
3309817	Ionicon Analytik Gesellschaft m.b.h.	14/10/2016	3309817	16194037.4	
3309861	Yamabiko Corporation	06/10/2017	3309861	17195271.6	
3309911	WAYMO LLC	16/10/2017	3309911	17196549.4	
3310133	eldoLAB Holding B.V.	22/12/2011	3310133	17206397.6	
3310534	Hilti Aktiengesellschaft	14/06/2016	3310534	16732540.6	German
3310749	Université des Sciences et Technologies de Lille - Lille 1 Ecole Centrale De Lille Hokkaido University Centre National de la Recherche Scientifique	18/06/2015	3310749	15777997.6	
3310930	Administración General De La Comunidad Autónoma De Euskadi Basque Center for Macromolecular Design and Engineering, POLYMAT Fundazioa Universidad Del Pais Vasco Euskal Herriko Unibertsitatea	10/11/2016	3310930	16794331.5	
3311045	Federal-Mogul Burscheid GmbH	19/04/2016	3311045	16717158.6	German
3311057	Kanon Loading Equipment B.v.	09/06/2016	3311057	16751362.1	
3311081	BASF SE	08/06/2016	3311081	16730758.6	
3311223	AGFA NV	09/06/2016	3311223	16727728.4	
3311588	Sony Mobile Communications Inc.	21/12/2015	3311588	15816771.8	
3311897	Tomy Company, Ltd.	13/09/2017	3311897	17190890.8	
3311931	Teda S.R.L	23/10/2017	3311931	17197771.3	
3312135	Delaware Capital Formation, Inc.	08/11/2013	3312135	17198671.4	
3312236	Hankook Tire Co., Ltd.	13/10/2017	3312236	17196428.1	
3312333	Bitron S.p.A.	12/07/2017	3312333	17181006.2	
3312371	Roto Frank AG	17/10/2017	3312371	17196869.6	German
3312407	Nissan Motor Co., Ltd.	19/06/2015	3312407	15895654.0	
3312410	Shindengen Electric Manufacturing Co., Ltd.	18/06/2015	3312410	15895616.9	
3312422	Novartis AG	14/03/2014	3312422	17208369.3	
3312537	Jünger + Gräter GmbH Feuerfestbau	19/10/2017	3312537	17197307.6	German

4056	(No. 2387)	Patents Office Journal	(12/06/2019)		
3312551	Gill Corporate Limited	24/10/2016	3312551	16020413.7	
3312676	Nikon Corporation	31/08/2007	3312676	17200084.6	
3312754	Ersek, Otto	21/10/2016	3312754	16195000.1	German
3312771	Idemia Identity & Security France	12/02/2009	3312771	17202921.7	French
3313722	Ferretti S.p.A.	23/06/2015	3313722	15738750.7	
3313742	Dow Global Technologies LLC	24/06/2016	3313742	16738595.4	
3314074	Technics & Applications, afgekort T&A, besloten vennootschap met beperkte aansprakelijkheid	10/06/2016	3314074	16739395.8	
3314155	Technip France	29/06/2016	3314155	16745785.2	French
3314468	Microsoft Technology Licensing, LLC	22/06/2016	3314468	16736324.1	
3314964	Sony Corporation	23/06/2016	3314964	16732585.1	
3315094	Edwards Lifesciences Corporation	19/08/2009	3315094	17197643.4	
3315117	The Procter & Gamble Company	26/10/2016	3315117	16195676.8	
3315220	Achenbach Buschhütten GmbH & Co. KG	20/09/2017	3315220	17192208.1	German
3315339	Dawbarn and Sons Ltd	30/08/2017	3315339	17188653.4	
3315496	Evonik Degussa GmbH	30/05/2017	3315496	17173459.3	German
3315614	Poltrona Frau S.P.A.	05/10/2017	3315614	17195008.2	
3315642	Shima Seiki Mfg., Ltd.	27/10/2017	3315642	17199054.2	
3315959	ARKRAY, Inc.	26/10/2017	3315959	17198692.0	
3315965	AGRIAL	26/10/2017	3315965	17198626.8	French
3316096	LG Display Co., Ltd.	31/10/2017	3316096	17199409.8	
3316257	FUJITSU LIMITED	29/09/2017	3316257	17194055.4	
3317083	Sisma S.p.A.	20/01/2017	3317083	17709174.1	
3317257	Studiengesellschaft Kohle mbH	21/06/2016	3317257	16731137.2	
3317316	Dow Global Technologies LLC	26/05/2016	3317316	16729119.4	
3317415	Ethris GmbH	30/06/2016	3317415	16742171.8	
3317482	Kiekert AG	30/06/2016	3317482	16738662.2	German
3317911	BASF SE	14/06/2016	3317911	16728947.9	
3318678	REHAU AG + Co	06/11/2017	3318678	17200080.4	German
3318777	Haldex Brake Products AB	11/03/2011	3318777	17181612.7	German
3319067	Skeyecode	02/11/2016	3319067	16196947.2	
3319108	Valeo Japan Co., Ltd.	12/10/2017	3319108	17196213.7	
3319110	Rockwell Automation Switzerland GmbH	03/11/2016	3319110	16197145.2	
3320021	Solvay Specialty Polymers Italy S.p.A.	07/07/2016	3320021	16738107.8	
3320244	Itrec B.V.	28/06/2016	3320244	16745523.7	

3320799	Rettore S.A.S. di Federica Rettore & C.	09/11/2017	3320799	17200885.6	
3320821	Black & Decker Inc.	15/11/2016	3320821	16198817.5	
3320869	Heraeus Medical GmbH	08/11/2017	3320869	17200592.8	German
3321108	Hankook Tire Co., Ltd.	07/11/2017	3321108	17200269.3	
3321409	Dürkopp Adler AG	03/11/2017	3321409	17199804.0	German
3321411	Whirlpool Corporation	21/10/2017	3321411	17197661.6	
3321539	Schoppel, Karin Walter-Sennewald, Thomas	25/10/2017	3321539	17001758.6	German
3321816	Google LLC	12/03/2014	3321816	17207569.9	
3322114	Panasonic Intellectual Property Corporation of America	10/03/2006	3322114	17201318.7	
3322384	Zephyr Surgical Implants	13/07/2016	3322384	16750958.7	French
3322497	Momentive Performance Materials Inc.	15/06/2016	3322497	16732852.5	
3322609	ZF Friedrichshafen AG	13/06/2016	3322609	16728686.3	German
3322699	F. Hoffmann-La Roche AG	11/07/2016	3322699	16736493.4	
3323154	MAHLE International GmbH	07/07/2016	3323154	16736854.7	German
3323155	MAHLE International GmbH	17/06/2016	3323155	16731112.5	German
3323156	MAHLE International GmbH	07/07/2016	3323156	16736853.9	German
3323333	Black & Decker Inc.	16/11/2016	3323333	16199161.7	
3323386	Cousin Biotech	15/11/2017	3323386	17201759.2	French
3323695	VOLKSWAGEN AKTIENGESELLSCHAFT	25/10/2017	3323695	17198350.5	German
3323789	Zero Technologies, LLC	17/03/2014	3323789	18150830.0	
3323975	Serge Ferrari SAS	09/11/2017	3323975	17200935.9	French
3324615	BENQ CORPORATION	17/11/2017	3324615	17202209.7	
3324876	Align Technology, Inc.	05/01/2016	3324876	16703354.7	
3325164	Colombo Giovanni Srl	22/07/2016	3325164	16760785.2	
3325165	Colombo Giovanni Srl	22/07/2016	3325165	16763942.6	
3325219	Hilti Aktiengesellschaft	12/07/2016	3325219	16738743.0	German
3325252	Universita Degli Studi di Trieste	27/07/2016	3325252	16766366.5	
3325270	Safran Nacelles	25/07/2016	3325270	16760522.9	French
3325354	Harro Höfliger Verpackungsmaschinen GmbH	18/07/2015	3325354	15739179.8	German
3325718	Neuhäuser GmbH	23/08/2016	3325718	16754513.6	German
3325802	aerodyn consulting Singapore pte ltd	19/09/2016	3325802	16782179.2	German
3326293	CommScope Connectivity Belgium BVBA CommScope Connectivity UK Limited	13/07/2016	3326293	16738426.2	

4058	(No. 2387)	<i>Patents Office Journal</i>		(12/06/2019)	
3326842	Sumitomo Rubber Industries, Ltd.	16/11/2017	3326842	17202009.1	
3326868	AISIN SEIKI KABUSHIKI KAISHA	24/11/2017	3326868	17203578.4	
3326919	Hübner GmbH & Co. KG	07/09/2017	3326919	17189852.1	German
3327143	Base4 Innovation Ltd	04/10/2013	3327143	17206000.6	
3327200	VISTAL GDYNIA S.A. Europrojekt Gdansk S.A.	29/11/2016	3327200	16460090.0	
3327290	MITSUBISHI HEAVY INDUSTRIES THERMAL SYSTEMS, LTD.	27/11/2017	3327290	17203898.6	
3327306	Valeo Embrayages	22/11/2017	3327306	17203095.9	French
3327504	Shin-Etsu Chemical Co., Ltd.	21/11/2017	3327504	17202732.8	
3327938	Astrolink International LLC Dominion Energy Technologies, Inc.	14/02/2014	3327938	18152637.7	
3327981	QUALCOMM Incorporated	04/03/2015	3327981	18151946.3	
3328002	Lantiq Deutschland GmbH	02/12/2011	3328002	18151169.2	
3328003	Fuji Electric Co., Ltd.	16/01/2017	3328003	17756009.1	
3328079	Guangdong Oppo Mobile Telecommunications Corp., Ltd	13/11/2017	3328079	17201321.1	
3328238	SEB S.A.	08/07/2016	3328238	16744818.2	French
3328324	Ottobock SE & Co. KGaA	27/07/2016	3328324	16753270.4	German
3328481	Boston Scientific Neuromodulation Corporation	13/06/2016	3328481	16732137.1	
3328682	Conti Temic microelectronic GmbH	20/07/2016	3328682	16741034.9	German
3328690	Zodiac Seats France	29/07/2016	3328690	16745463.6	French
3328855	F. Hoffmann-La Roche AG	25/07/2016	3328855	16750408.3	
3328858	F. Hoffmann-La Roche AG	25/07/2016	3328858	16741943.1	
3328918	Dow Silicones Corporation	21/07/2016	3328918	16745953.6	
3329167	WESTFALIA Metallschlauchtechnik GmbH & Co. KG	08/06/2016	3329167	16733311.1	German
3329241	Conti Temic microelectronic GmbH	14/07/2016	3329241	16765913.5	German
3329284	Siemens Healthcare Diagnostics Products GmbH	28/03/2017	3329284	17714685.9	German
3329332	Technische Universität Darmstadt	18/10/2017	3329332	17794681.1	German
3329559	TE Connectivity Germany GmbH	28/07/2016	3329559	16747761.1	
3329881	DePuy Ireland Unlimited Company	24/02/2012	3329881	18152814.2	
3330167	Campagnolo S.r.l.	13/11/2017	3330167	17201259.3	
3330194	Cavanna S.p.A.	02/11/2017	3330194	17199707.5	
3330788	LG Electronics Inc.	30/10/2015	3330788	18150438.2	
3330922	Scopis GmbH	28/06/2012	3330922	17203950.5	German

3331030	Commissariat à l'Energie Atomique et aux Energies Alternatives	14/11/2017	3331030	17201476.3	French
3331070	LG Chem, Ltd.	31/03/2017	3331070	17775886.9	
3331126	Nissan Motor Co., Ltd.	28/07/2015	3331126	15899614.0	
3331190	Samsung Electronics Co., Ltd.	30/11/2017	3331190	17204604.7	
3331289	GEOTAB Inc.	30/11/2017	3331289	17204582.5	
3331370	KMB Produktions AG	10/11/2016	3331370	16808922.5	German
3331399	SEB S.A.	12/07/2016	3331399	16745799.3	French
3331665	Hilti Aktiengesellschaft	26/07/2016	3331665	16744724.2	German
3331881	ratiopharm GmbH	12/07/2016	3331881	16739090.5	
3331932	COATEX	03/08/2016	3331932	16757708.9	French
3332052	Kordsa Teknik Tekstil Anonim Sirketi	07/09/2016	3332052	16788585.4	
3332135	Schaeffler Technologies AG & Co. KG	03/08/2016	3332135	16763434.4	German
3332669	Zhuhai Shichang Metals Ltd.	05/03/2018	3332669	18160048.7	
3332992	Sumitomo Rubber Industries, Ltd.	27/11/2017	3332992	17203828.3	
3333025	Valeo Systèmes d'Essuyage	07/12/2017	3333025	17206043.6	
3333074	Bell Helicopter Textron Inc.	10/10/2017	3333074	17195818.4	
3333095	Toppan Printing Co., Ltd.	25/07/2014	3333095	18154709.2	
3333125	Xylem IP Management S.à.r.l.	07/12/2016	3333125	16202684.3	German
3333243	Merck Patent GmbH	06/12/2017	3333243	17205589.9	
3333361	Wirtgen GmbH	06/12/2017	3333361	17205743.2	German
3333407	TOYOTA JIDOSHA KABUSHIKI KAISHA	17/11/2017	3333407	17202398.8	
3333634	KYOCERA Document Solutions Inc.	08/12/2017	3333634	17206088.1	
3333956	Commissariat à l'Energie Atomique et aux Energies Alternatives	04/12/2017	3333956	17205268.0	French
3334625	Faiveley Transport Italia S.p.A.	09/08/2016	3334625	16766382.2	
3334727	F. Hoffmann-La Roche AG	09/08/2016	3334727	16748125.8	
3334805	Shell Internationale Research Maatschappij B.V.	11/08/2016	3334805	16750842.3	
3335297	Qualcomm Incorporated	12/07/2016	3335297	16744996.6	
3335472	Telefonaktiebolaget LM Ericsson (PUBL)	15/08/2016	3335472	16756654.6	
3335488	Sony Corporation	30/06/2016	3335488	16734342.5	
3335596	Medina Casado, C.B.	15/12/2017	3335596	17382854.2	
3335938	MEKRA LANG GmbH & Co. KG	07/12/2017	3335938	17205917.2	German
3335998	Messersì Packaging S.R.L.	18/12/2017	3335998	17207977.4	
3336249	ALSTOM Transport Technologies	14/12/2017	3336249	17207253.0	French

4060	(No. 2387)	Patents Office Journal	(12/06/2019)			
3336510	Airbus Helicopters	22/11/2017	3336510	17202943.1	French	
3336577	Honeywell International Inc.	04/12/2017	3336577	17205308.4		
3336908	Meijo University	11/12/2017	3336908	17206524.5		
	STANLEY ELECTRIC CO., LTD.					
3337360	Plastec S.r.l.	12/08/2016	3337360	16751586.5		
3338284	Parker-Hannifin Corporation	22/08/2016	3338284	16766695.7		
3339185	Airbus Defence and Space GmbH	21/12/2016	3339185	16205978.6	German	
3339400	AXENS	19/12/2017	3339400	17306820.6	French	
3339768	Mitsubishi Electric Corporation	27/11/2015	3339768	18155649.9		
3339975	Manufacture et fabrique de montres et chronomètres, Ulysse Nardin Le Locle S.A.	18/12/2017	3339975	17208171.3	French	
3340336	LG Chem, Ltd.	20/10/2016	3340336	16862322.1		
3340392	Nexans	23/12/2016	3340392	16306804.2	German	
3341590	Saudi Arabian Oil Company	23/08/2016	3341590	16757529.9		
3342267	LG Electronics Inc.	21/12/2017	3342267	17209697.6		
3343039	LG Electronics Inc.	28/12/2017	3343039	17210838.3		
3343552	LG Display Co., Ltd.	03/08/2017	3343552	17184659.5		
3343645	NICHIA CORPORATION	15/12/2017	3343645	17207588.9		
3344296	AskAt Inc.	02/11/2017	3344296	17809396.9		
3344501	VHIT S.p.A.	02/09/2016	3344501	16779185.4		
3344914	Volkswagen Aktiengesellschaft	16/08/2016	3344914	16753646.5	German	
3345006	Continental Automotive GmbH	08/06/2016	3345006	16728926.3	German	
3345023	ASML Netherlands B.V.	03/08/2016	3345023	16753864.4		
3346576	WEIDPLAS GmbH	02/12/2014	3346576	18158928.4	German	
3346632	Idemia Identity & Security France	10/01/2018	3346632	18305016.0	French	
3346682	Samsung Electronics Co., Ltd.	26/02/2016	3346682	18159083.7		
3348160	NIKE Innovate C.V.	15/07/2015	3348160	18000186.9		
3348161	NIKE Innovate C.V.	13/11/2014	3348161	18000149.7		
3348421	R.P.F. S.p.A.	17/10/2017	3348421	17196785.4		
3348508	KONE Corporation	17/01/2017	3348508	17151782.4		
3348568	Temasek Life Sciences Laboratory Limited	23/08/2013	3348568	18158352.7		
3348681	Bridgestone Corporation Synvina C.V.	07/09/2016	3348681	16843952.9		
3349202	Harris Corporation	16/01/2018	3349202	18151781.4		
3349392	Panasonic Intellectual Property Corporation of America	09/01/2018	3349392	18150739.3		

3350363	Kordsa Teknik Tekstil Anonim Sirketi	07/09/2016	3350363	16788584.7	
3350610	Leibniz - Institut Für Analytische Wissenschaften	13/09/2016	3350610	16765964.8	German
3351431	F.LLI MENABO' S.R.L.	18/01/2018	3351431	18152399.4	
3351886	Alfa Laval Corporate AB	19/01/2017	3351886	17152268.3	
3352315	Omron Corporation	18/10/2017	3352315	17197006.4	
3352416	Deutsche Telekom AG	19/01/2017	3352416	17152197.4	German
3352854	Koninklijke Philips N.V.	24/07/2017	3352854	17742754.9	
3353878	Siemens Aktiengesellschaft	07/09/2016	3353878	16766264.2	German
3354414	The Boeing Company	24/01/2018	3354414	18153300.1	
3355101	Carl Zeiss Vision International GmbH Carl Zeiss AG	27/01/2017	3355101	17153557.8	German
3355123	Ricoh Company Ltd.	26/01/2018	3355123	18153654.1	
3355150	Airbus Helicopters	12/12/2017	3355150	17206827.2	French
3355151	Honeywell International Inc.	24/01/2018	3355151	18153261.5	
3356585	Teijin Aramid B.V.	27/09/2016	3356585	16775165.0	
3356734	Signify Holding B.V.	15/09/2016	3356734	16769941.2	
3357580	NETZSCH-Feinmahltechnik GmbH	03/02/2017	3357580	17000174.7	German
3357726	Denso Corporation Toyota Jidosha Kabushiki Kaisha	06/09/2016	3357726	16851043.6	
3358409	FUJIFILM Corporation	24/06/2016	3358409	16850773.9	
3358802	Insta GmbH	07/11/2017	3358802	17200297.4	German
3359261	Unilever PLC	04/10/2016	3359261	16778325.7	
3359464	suki.international GmbH	12/12/2017	3359464	17826161.6	German
3360483	Siemens Healthcare GmbH	05/02/2018	3360483	18155025.2	
3361310	FUJIFILM Corporation	08/02/2018	3361310	18155828.9	
3362133	L'Air Liquide Société Anonyme pour l'Etude et l'Exploitation des Procédés Georges Claude	05/10/2016	3362133	16788173.9	French
3362761	Blücher GmbH	15/02/2017	3362761	17705132.3	German
3362858	Omega SA	30/11/2016	3362858	16802084.0	French
3363339	Franz Kaldewei GmbH & Co. KG	15/02/2018	3363339	18156863.5	German
3364169	Siemens Aktiengesellschaft	17/02/2017	3364169	17156753.0	German
3364572	NTT DOCOMO, INC.	13/02/2012	3364572	18164969.0	
3366248	Biosense Webster (Israel) Ltd.	21/02/2018	3366248	18157893.1	
3366942	Valeo Embrayages	23/02/2018	3366942	18158273.5	French
3367129	Sick AG	16/01/2018	3367129	18151967.9	German
3367414	Siemens Aktiengesellschaft	22/01/2018	3367414	18152667.4	

4062	(No. 2387)	Patents Office Journal	(12/06/2019)		
3368181	Synfuel Americas Corporation	16/12/2016	3368181	16820022.8	
3368241	Stirtec GmbH Technische Universität Wien	31/10/2016	3368241	16808550.4	German
3369652	Bell Helicopter Textron Inc.	29/09/2017	3369652	17194263.4	
3370386	The Boeing Company	03/03/2017	3370386	17382110.9	
3370983	PTG Reifendruckregelsysteme GmbH	02/11/2016	3370983	16794239.0	German
3372437	LG Electronics Inc.	05/03/2018	3372437	18159971.3	
3372954	Kabushiki Kaisha Toyota Chuo Kenkyusho	26/01/2018	3372954	18153686.3	
3373272	The Boeing Company	09/03/2017	3373272	17382119.0	
3375068	Koninklijke Philips N.V.	01/11/2016	3375068	16790963.9	
3375128	Koninklijke Philips N.V.	20/10/2016	3375128	16784190.7	
3375408	3M Innovative Properties Company	14/03/2017	3375408	17160707.0	
3375792	Novahealth Biosystems LLC	23/10/2014	3375792	18170785.2	
3376345	HTC Corporation	09/03/2018	3376345	18161073.4	
3378258	Telefonaktiebolaget LM Ericsson (publ)	16/11/2015	3378258	15794211.1	
3378757	AIRBUS HELICOPTERS DEUTSCHLAND GmbH	06/02/2015	3378757	18169958.8	
3379068	Airbus Operations S.A.S.	24/01/2018	3379068	18153125.2	French
3379080	Airbus Defence and Space GmbH	25/01/2018	3379080	18153413.2	
3379292	Sick AG	22/02/2018	3379292	18158007.7	German
3380855	AUDI AG	12/01/2017	3380855	17700510.5	German
3381106	Koninklijke Philips N.V.	07/11/2016	3381106	16794557.5	
3381751	Ford Global Technologies, LLC	09/01/2018	3381751	18150875.5	
3381809	Airbus Operations S.A.S.	25/01/2018	3381809	18153344.9	French
3382349	Dr. Johannes Heidenhain GmbH	29/03/2017	3382349	17163542.8	German
3382451	Appotronics Corporation Limited	10/08/2012	3382451	18171153.2	
3384197	Senior Flexonics Blois SAS	30/11/2016	3384197	16815875.6	French
3384802	Newtonoid Technologies, LLC	04/04/2018	3384802	18165647.1	
3385137	BPW Bergische Achsen KG	07/02/2018	3385137	18155439.5	German
3385215	STILL GmbH	29/03/2018	3385215	18164844.5	German
3387052	Brugg Rohr Ag Holding	11/07/2017	3387052	17745658.9	German
3387186	Centre Technique de l'Industrie des Papiers, Cartons et Celluloses Kadant Lamort	29/11/2017	3387186	17805204.9	
3388827	FUJITSU LIMITED	12/04/2017	3388827	17166228.1	
3390711	Nikwax Limited	04/01/2017	3390711	17700613.7	
3390869	Federal-Mogul Burscheid GmbH	22/05/2017	3390869	17727140.0	German

3390944	3M Innovative Properties Company	13/12/2016	3390944	16871749.4	
3393048	Guangdong OPPO Mobile Telecommunications Corp., Ltd.	08/01/2018	3393048	18150569.4	
3393351	Koninklijke Philips N.V.	07/12/2016	3393351	16810287.9	
3394445	Hologic Inc.	22/12/2016	3394445	16828849.6	
3394566	AUDI AG	07/02/2017	3394566	17704433.6	German
3395024	Telefonaktiebolaget LM Ericsson (PUBL)	07/03/2016	3395024	16708650.3	
3395126	Koninklijke Philips N.V.	15/12/2016	3395126	16816252.7	
3395319	Distraimed	19/03/2018	3395319	18162620.1	French
3395357	Ferring B.V.	08/08/2012	3395357	18167552.1	
3395709	ICA S.p.A.	13/04/2018	3395709	18167184.3	
3395820	Pharma Mar, S.A.	27/04/2018	3395820	18382287.3	
3395821	Pharma Mar, S.A.	27/04/2018	3395821	18382288.1	
3396191	Valeo Embrayages	06/04/2018	3396191	18166193.5	French
3398181	Audi AG	28/02/2017	3398181	17707842.5	German
3399147	Rolls-Royce plc	04/04/2018	3399147	18165734.7	
3399204	Valeo Embrayages	06/04/2018	3399204	18166192.7	French
3399220	TI Automotive (Fuldabrück) GmbH	08/11/2013	3399220	18172466.7	German
3400631	Harting Electric GmbH & Co. KG	22/06/2017	3400631	17732111.4	German
3402701	Di Pietro, Giovanni	30/12/2016	3402701	16831527.3	
3403313	Koninklijke Philips N.V.	05/01/2017	3403313	17700071.8	
3404328	MCZ Group S.p.A.	07/05/2018	3404328	18171032.8	
3404798	Nissan Motor Co., Ltd.	10/01/2017	3404798	17738385.8	
3405260	Medical Intelligence Medizintechnik GmbH	20/03/2017	3405260	17716803.6	
3405352	Unibind Limited	17/01/2017	3405352	17701359.6	
3406337	Saudi Arabian Oil Company JGC Catalysts and Chemicals Ltd. Japan Cooperation Center Petroleum	02/08/2011	3406337	18178201.2	
3408408	Devyser Holding AB	27/01/2017	3408408	17702824.8	
3408710	Dualitas Ltd.	01/12/2017	3408710	17817032.0	
3410870	Unilever PLC	06/01/2017	3410870	17700203.7	
3412550	Krykun, Gennadii Pavlovych Fedotov, Serhii Oleksiyovych	14/07/2017	3412550	17181536.8	
3416631	Intrabio Ltd	11/08/2017	3416631	17767934.7	
3418347	Carl Zeiss Vision International GmbH	21/06/2017	3418347	17177103.3	
3419565	Ulrich GmbH & Co. KG	11/08/2017	3419565	17754680.1	

4064	(No. 2387)	<i>Patents Office Journal</i>		(12/06/2019)	
3419849	Vibracoustic GmbH	07/03/2017	3419849	17709643.5	German
3421994	Biohope Scientific Solutions for Human Health S.L.	26/06/2017	3421994	17382399.8	
3427005	IFM Electronic GmbH	28/06/2017	3427005	17739211.5	German
3428361	Raimund Beck Nageltechnik GmbH	04/06/2018	3428361	18175791.5	German
3428835	Sick AG	13/07/2017	3428835	17181248.0	German
3430344	Verney-Carron S.A.	07/03/2017	3430344	17713731.2	French
3435482	MD Elektronik GmbH	25/07/2017	3435482	17183028.4	German
3437304	Audi AG	10/02/2017	3437304	17705576.1	German
3438848	51 Degrees Mobile Experts Limited	31/07/2017	3438848	17184134.9	

Grants Published in EPO Bulletin No. 21/19, dated 22nd May 2019

1220288	Kratos Analytical Limited	29/08/2001	1220288	01307313.5	
1252256	China Petroleum&Chemical Corporation	11/12/2000	1252256	00993412.6	
1303096	Microsoft Technology Licensing, LLC	15/10/2002	1303096	02023016.5	
1395616	CALIFORNIA INSTITUTE OF TECHNOLOGY	16/04/2002	1395616	02762142.4	
1410252	Koninklijke Philips N.V.	19/03/2001	1410252	01933712.0	
1466435	Seven Networks, LLC	08/01/2003	1466435	03707338.4	
1472773	SEW-Eurodrive GmbH & Co	19/12/2002	1472773	02795231.6	German
1511826	Sasol Technology (Pty) Ltd	06/06/2003	1511826	03752638.1	
1527422	Koninklijke Philips N.V.	24/06/2003	1527422	03732929.9	
1552353	THE PROCTER & GAMBLE COMPANY	03/10/2003	1552353	03808980.1	
1554548	system Controls Mess- und Regeltechnik GmbH	31/05/2003	1554548	03755916.8	German
1565826	Solarflare Communications Inc	15/09/2003	1565826	03750913.0	
1572362	Shell Internationale Research Maatschappij B.V.	24/11/2003	1572362	03796045.7	
1572585	Commissariat à l'Énergie Atomique et aux Énergies Alternatives	15/12/2003	1572585	03809985.9	French
1603010	BlackBerry Limited	02/06/2004	1603010	04253288.7	
1610559	Google Technology Holdings LLC	01/06/2005	1610559	05253369.2	
1610605	HMS Industrial Networks AB	03/06/2005	1610605	05012005.4	
1614903	GRUNDFOS A/S	07/07/2004	1614903	04015972.5	German
1617125	Yamaha Hatsudoki Kabushiki Kaisha	12/07/2005	1617125	05015142.2	

1626901	SRC Innovations, LLC	15/04/2004	1626901	04760007.7	
1642366	Esab AB	03/06/2004	1642366	04754185.9	
1665715	BAE SYSTEMS PLC	10/09/2004	1665715	04768416.2	
1671401	HUBER+SUHNER AG	21/06/2004	1671401	04737074.7	German
1676158	Nufern	27/09/2004	1676158	04789126.2	
1682450	CULLIGAN INTERNATIONAL COMPANY	28/10/2004	1682450	04796658.5	
1722191	SICK AG	06/11/2001	1722191	06018462.9	German
1730588	Draper, Inc.	02/03/2005	1730588	05724122.6	
1733296	Sony Interactive Entertainment Inc.	28/03/2005	1733296	05727576.0	
1737525	ResMed Ltd.	08/04/2005	1737525	05729503.2	
1744425	Hager Electro GmbH	07/07/2006	1744425	06014181.9	German
1746154	Purpose Co., Ltd.	30/01/2006	1746154	06250497.2	
1747692	BlackBerry Limited	04/03/2005	1747692	05714585.6	
1751559	ExxonMobil Upstream Research Company	24/01/2005	1751559	05706048.5	
1754803	HIRAIDE PRECISION CO., LTD.	30/05/2005	1754803	05743718.8	
1770335	ELECTROLUX PROFESSIONAL S.p.A.	05/09/2006	1770335	06120146.3	
1777414	Klaus Union GmbH & Co. KG	21/10/2005	1777414	05023064.8	German
1779662	Industry Academic Cooperation Foundation Kyunghee University Samsung Electronics Co., Ltd.	13/08/2005	1779662	05780538.4	
1784763	Leica Biosystems Imaging, Inc.	01/09/2004	1784763	04782757.1	
1787673	Kaneka Corporation	29/07/2005	1787673	05767125.7	
1788160	KOBELCO CONSTRUCTION MACHINERY CO., LTD.	11/10/2006	1788160	06122095.0	
1789142	JOHNS HOPKINS UNIVERSITY Key Technologies, Inc.	26/08/2005	1789142	05791776.7	
1789196	Doppstadt Familienholding GmbH	16/09/2005	1789196	05784053.0	German
1802178	Eltex-Elektrostatik GmbH	01/08/2006	1802178	06118255.6	German
1819417	Baldwin Filters, Inc.	07/09/2005	1819417	05797727.4	
1830063	SIEMENS GAMESA RENEWABLE ENERGY INNOVATION & TECHNOLOGY, S.L.	15/12/2005	1830063	05825222.2	
1830948	Shell Internationale Research Maatschappij B.V.	28/12/2005	1830948	05823598.7	

4066	(No. 2387)	Patents Office Journal	(12/06/2019)
1831923	Commissariat à l'Énergie Atomique et aux Énergies Alternatives Soitec	22/12/2005	1831923 05825588.6 French
1843840	RESEARCH TRIANGLE INSTITUTE	06/01/2005	1843840 05791819.5
1846642	Carrier Corporation	07/02/2005	1846642 05713018.9
1849428	Biosense Webster, Inc.	27/04/2007	1849428 07251788.1
1850071	Rainer, Johann	15/02/2007	1850071 07003261.0 German
1854041	Vodafone GmbH	27/02/2006	1854041 06706020.2 German
1856299	Stichting Wageningen Research	16/02/2006	1856299 06716624.9
1858620	PALL CORPORATION	03/03/2006	1858620 06736736.7
1861485	BASF SE	13/03/2006	1861485 06708734.6
1861765	QUALCOMM INCORPORATED	03/03/2006	1861765 06736860.5
1862295	CooperVision International Holding Company, LP	31/05/2007	1862295 07010755.2
1863503	Sangart, Inc.	07/03/2006	1863503 06737428.0
1866391	Badger Licensing LLC	01/03/2006	1866391 06736555.1
1869061	CustomArray, Inc.	27/03/2006	1869061 06739757.0
1872533	Audinate Pty Limited	21/04/2006	1872533 06721418.9
1883155	Valeo Systèmes Thermiques	19/07/2007	1883155 07112734.4 French
1885875	PROMEGA CORPORATION	31/05/2006	1885875 06771475.8
1889609	Meda AB	12/07/2007	1889609 07013703.9
1905239	Nielsen Media Research, Inc.	03/06/2005	1905239 05823128.3
1907884	ExxonMobil Upstream Research Company	26/06/2006	1907884 06773953.2
1916369	Adler S.A.	23/10/2007	1916369 07119047.4 French
1916917	NIKE Innovate C.V.	15/08/2006	1916917 06813409.7
1920291	Essilor International	01/08/2006	1920291 06809230.3
1925182	Qualcomm Incorporated	15/09/2006	1925182 06814947.5
1927200	Cisco Technology, Inc.	18/09/2006	1927200 06814940.0
1928391	AlterG, Inc.	28/09/2006	1928391 06816096.9
1935144	Mavenir Systems, Inc.	19/09/2006	1935144 06790702.2
1942557	Delphi Technologies, Inc.	19/11/2007	1942557 07120978.7
1945367	KNECHT MASCHINENBAU GMBH	19/10/2006	1945367 06805459.2 German
1953999	Schmidt, Christian Grap, Arndt-Helge	05/02/2008	1953999 08151058.8 German
1960044	CARDIAC PACEMAKERS, INC.	29/11/2006	1960044 06838547.5
1971067	Innovative Sonic Limited	14/03/2008	1971067 08004792.1
1975439	Yamaha Hatsudoki Kabushiki Kaisha	22/02/2008	1975439 08003274.1

1979984	Nokia Technologies Oy	18/01/2007	1979984	07700625.2	
1993736	Boehringer Ingelheim International GmbH	23/02/2007	1993736	07711637.4	
1993949	CENTRE NATIONAL DE LA RECHERCHE SCIENTIFIQUE - CNRS-	22/02/2007	1993949	07731027.4	French
1997356	Lutron Electronics Co., Inc.	15/03/2007	1997356	07753124.2	
1999253	VIACYTE, INC.	02/03/2007	1999253	07752255.5	
2007552	3M Innovative Properties Company	09/04/2007	2007552	07781554.6	
2007858	Shell Internationale Research Maatschappij B.V.	16/04/2007	2007858	07728134.3	
2008448	Sony Mobile Communications Inc.	17/10/2006	2008448	06809045.5	
2010642	Quorus Biotech (Proprietary) Limited	27/03/2007	2010642	07734092.5	
2013971	Aito B.V.	25/04/2007	2013971	07747403.9	
2018935	Renishaw PLC	03/07/2008	2018935	08252273.1	
2020847	DeLaval Holding AB	04/04/2007	2020847	07748379.0	
2029882	Continental Automotive Systems, Co., Ltd.	31/05/2007	2029882	07746793.4	
2031280	HONDA MOTOR CO., LTD.	18/08/2008	2031280	08252730.0	
2035331	Colorobbia Italia S.p.a.	08/06/2007	2035331	07730001.0	
2036125	Koninklijke Philips N.V.	20/06/2007	2036125	07789762.7	
2039138	Genband US LLC	20/06/2007	2039138	07766792.1	
2040227	Crane Payment Innovations GmbH	20/08/2008	2040227	08014737.4	German
2046511	Oilfield Mineral Solutions Limited	27/07/2007	2046511	07813486.3	
2047622	HID Global Corporation	30/07/2007	2047622	07873909.1	
2048641	Sony Corporation	17/07/2007	2048641	07790851.5	
2048938	Rockwool International A/S	20/07/2007	2048938	07786228.2	
2050254	Eagle Technology, LLC	06/08/2007	2050254	07873300.3	
2051459	Huawei Technologies Co., Ltd.	01/02/2008	2051459	08706609.8	
2052085	Cognosci, Inc.	21/12/2007	2052085	07870165.3	
2053593	TREVES Products, Services & Innovation	23/10/2008	2053593	08291001.9	French
2053736	Elsy S.r.l.	08/09/2008	2053736	08015758.9	
2062011	Posiva Oy	11/09/2007	2062011	07803742.1	
2063951	Boston Scientific Limited	13/09/2007	2063951	07842423.1	
2064908	QUALCOMM Incorporated	21/08/2007	2064908	07814307.0	
2070297	Citrix Systems Inc.	03/08/2007	2070297	07813757.7	

4068	(No. 2387)	Patents Office Journal	(12/06/2019)		
2071455	Giesecke+Devrient Mobile Security GmbH	10/11/2008	2071455	08019615.7	German
2073789	Radius Health, Inc. IPSEN PHARMA S.A.S.	03/10/2007	2073789	07870768.4	
2078210	Koninklijke Philips N.V.	29/08/2007	2078210	07826192.2	
2079401	Biomet 3i, LLC	24/10/2007	2079401	07861488.0	
2084114	Guardian Glass, LLC	15/10/2007	2084114	07839539.9	
2087316	Robert Bosch GmbH	14/09/2007	2087316	07803484.0	German
2092499	ABB Schweiz AG	13/12/2007	2092499	07856694.0	German
2097126	Becton, Dickinson and Company	02/08/2007	2097126	07811026.9	
2100274	3D Systems, Inc.	30/11/2007	2100274	07853197.7	
2101686	Johnson & Johnson Surgical Vision, Inc.	07/12/2007	2101686	07865409.2	
2102099	Universidade Federal Do Pará	21/12/2007	2102099	07845480.8	
2102456	Karlsson, Karl-Gunnar	29/12/2003	2102456	03783027.0	
2106310	ARKEMA FRANCE	22/01/2008	2106310	08708087.5	
2108910	Valeo Systèmes Thermiques	07/04/2009	2108910	09157512.6	French
2109224	Nautel Limited	14/04/2009	2109224	09157880.7	
2111267	A. Svensson International AB	21/01/2008	2111267	08705331.0	
2114285	DENTSPLY SIRONA Inc.	12/02/2008	2114285	08729659.6	
2120100	Konica Minolta Business Technologies, Inc.	28/04/2009	2120100	09158937.4	
2121241	3M Innovative Properties Company	21/12/2007	2121241	07869755.4	
2122436	Rohde & Schwarz GmbH & Co. KG	20/09/2007	2122436	07818297.9	
2123296	Hisamitsu Pharmaceutical Co., Inc.	31/01/2008	2123296	08710659.7	
2124253	Mitsubishi Electric Corporation	26/02/2008	2124253	08720878.1	
2127334	Samsung Electronics Co., Ltd.	03/03/2008	2127334	08723250.0	
2129852	Hettich-ONI GmbH & Co. KG	14/03/2008	2129852	08717834.9	German
2134282	AngioDynamics, Inc.	09/04/2008	2134282	08745403.9	
2137292	Rymco International AG	17/04/2008	2137292	08759378.6	
2137894	Apple Inc.	11/04/2008	2137894	08727337.1	
2138859	Northrop Grumman Guidance And Electronic Company, Inc.	15/06/2009	2138859	09162674.7	
2143295	NEC Corporation	30/04/2008	2143295	08752475.7	
2144315	SEI CORPORATION TOYOTA JIDOSHA KABUSHIKI KAISHA	24/04/2008	2144315	08740831.6	
2152402	ARKEMA FRANCE	02/06/2008	2152402	08805908.4	French

2153569	Nokia Technologies Oy	30/04/2008	2153569	08738050.7	
2156775	LG Electronics Inc.	17/08/2009	2156775	09010552.9	
2156936	HP Printing Korea Co., Ltd.	09/06/2009	2156936	09162288.6	
2157316	General Electric Company	28/07/2009	2157316	09166579.4	
2157479	FUJIFILM Corporation	12/06/2008	2157479	08765543.7	
2161973	Princo Corp.	24/05/2007	2161973	07721251.2	
2166171	ANCOTECH AG	23/09/2009	2166171	09012089.0	German
2166289	BSH Hausgeräte GmbH	17/09/2009	2166289	09170501.2	German
2166416	Xerox Corporation	10/09/2009	2166416	09169894.4	
2166779	Sonion Nederland B.V.	11/06/2009	2166779	09162475.9	
2168172	Microlink Devices, Inc.	03/07/2008	2168172	08779968.0	
2169374	NGK SPARK PLUG CO., LTD.	30/09/2009	2169374	09171893.2	
2169935	Brother Kogyo Kabushiki Kaisha	22/09/2009	2169935	09252259.8	
2169984	Sivantos Pte. Ltd.	14/09/2009	2169984	09170157.3	German
2170718	IAMS Europe B.V.	25/07/2008	2170718	08776572.3	
2171004	Evonik Röhm GmbH	25/06/2008	2171004	08761349.3	German
2171873	Nokia Technologies Oy	28/06/2007	2171873	07804543.2	
2173619	L'Air Liquide Société Anonyme pour l'Etude et l'Exploitation des Procédés Georges Claude	11/07/2008	2173619	08826964.2	French
2174482	Nokia Technologies Oy	23/06/2008	2174482	08776454.4	
2174646	Kao Corporation	08/08/2008	2174646	08790433.0	
2176529	BorgWarner Inc.	11/07/2008	2176529	08781693.0	
2176836	Robert Bosch GmbH	04/07/2008	2176836	08774766.3	German
2179425	Micrometal Technologies Inc.	11/07/2008	2179425	08794456.7	
2181505	Google Technology Holdings LLC	10/09/2008	2181505	08830942.2	
2183367	Dutch DNA Biotech B.V.	21/07/2008	2183367	08779045.7	
2183937	QUALCOMM Incorporated	18/07/2008	2183937	08796341.9	
2186233	Huawei Technologies Co., Ltd.	05/09/2008	2186233	08829265.1	
2186977	Abloy Oy	05/11/2009	2186977	09175105.7	
2187833	Institut Straumann AG	24/07/2008	2187833	08785047.5	German
2188593	TeleNav, Inc.	02/09/2008	2188593	08828707.3	
2195934	Panasonic Corporation	19/09/2008	2195934	08831337.4	
2196144	C.N.R.S. Université de Rennes 1	11/12/2009	2196144	09178988.3	French
2198215	Carrier Corporation	14/09/2007	2198215	07838285.0	
2200354	BlackBerry Limited	30/07/2009	2200354	09166894.7	
2202839	Thales	02/09/2009	2202839	09169222.8	French

4070	(No. 2387)	Patents Office Journal	(12/06/2019)		
2204765	IDEMIA France	21/12/2009	2204765	09180076.3	French
2204901	Daikin Industries, Ltd.	21/10/2008	2204901	08841192.1	
2206228	TEXAS INSTRUMENTS DEUTSCHLAND GMBH	23/09/2008	2206228	08804604.0	
2207670	Liquidia Technologies, Inc.	13/10/2008	2207670	08838460.7	
2207696	Robert Bosch GmbH	26/09/2008	2207696	08804768.3	German
2208412	CNH Industrial Belgium nv	13/01/2010	2208412	10150669.9	
2211944	Becton Dickinson France	25/09/2007	2211944	07859096.5	
2213762	United Technologies Corporation	21/12/2009	2213762	09252843.9	
2217293	Warsaw Orthopedic, Inc.	10/11/2008	2217293	08863954.7	
2220295	Jeld-Wen, Inc.	07/11/2008	2220295	08847575.1	
2220437	Opra Technologies B.V.	07/11/2008	2220437	08848825.9	
2220473	Westport Power Inc.	27/11/2008	2220473	08855343.3	
2221446	Halliburton Energy Services, Inc.	17/02/2010	2221446	10153885.8	
2221865	Nikon Corporation	07/01/2005	2221865	10165357.4	
2223482	ATI Technologies ULC	26/11/2008	2223482	08857730.9	
2224079	Röder HTS Höcker GmbH	12/02/2010	2224079	10153410.5	German
2229524	Daimler AG	11/11/2008	2229524	08864867.0	German
2231072	MAKO SURGICAL CORP.	08/12/2008	2231072	08860388.1	
2231743	Henkel AG & Co. KGaA Henkel IP & Holding GmbH	02/12/2008	2231743	08859986.5	
2234283	Huawei Technologies Co., Ltd.	31/12/2008	2234283	08870143.8	
2234388	Tsinghua University Omron Corporation	24/12/2008	2234388	08870563.7	
2235647	Signify Holding B.V.	16/12/2008	2235647	08864126.1	
2236204	Nippon Steel & Sumitomo Metal Corporation	26/12/2008	2236204	08866954.4	
2238073	ENI S.p.A.	17/11/2008	2238073	08852817.9	
2240121	St. Jude Medical, Inc.	08/01/2009	2240121	09702504.3	
2240170	Vanderbilt University	02/02/2009	2240170	09708687.0	
2241094	Sony Mobile Communications Inc.	09/07/2008	2241094	08788873.1	
2241774	NTN Corporation	14/01/2009	2241774	09710814.6	
2242563	Fresenius Medical Care Deutschland GmbH	30/12/2008	2242563	08868015.2	German
2243963	Goodrich Corporation	15/03/2010	2243963	10156477.1	
2245221	TOTAL RESEARCH & TECHNOLOGY FELUY	19/02/2009	2245221	09712446.5	
2245905	NXP B.V.	09/02/2009	2245905	09709781.0	

2245907	Signify Holding B.V.	16/01/2009	2245907	09704845.8	
2246125	Musashi Engineering, Inc.	18/02/2009	2246125	09713491.0	
2249005	General Electric Company	03/03/2010	2249005	10155290.9	
2249919	Stryker Corporation	11/02/2009	2249919	09716307.5	
2250037	Robert Bosch GmbH	26/11/2008	2250037	08872046.1	German
2250304	Federal-Mogul Powertrain LLC	26/02/2009	2250304	09716669.8	
2251614	MITSUBISHI HEAVY INDUSTRIES THERMAL SYSTEMS, LTD.	26/02/2009	2251614	09715494.2	
2252199	Gil, Tamir	05/03/2009	2252199	09716310.9	
2254999	Boehringer Ingelheim RCV GmbH & Co KG	06/02/2009	2254999	09707888.5	
2256423	MITSUBISHI HEAVY INDUSTRIES THERMAL SYSTEMS, LTD.	09/01/2009	2256423	09725760.4	
2259247	Terumo Corporation	27/03/2009	2259247	09726020.2	
2259768	Merck Patent GmbH	08/04/2009	2259768	09731301.9	
2260805	Carl Zeiss Meditec AG	23/07/2004	2260805	10182173.4	German
2261116	Sikorsky Aircraft Corporation	24/03/2010	2261116	10157531.4	
2261995	Panasonic Intellectual Property Management Co., Ltd.	18/03/2009	2261995	09721439.9	
2262105	Axiom Microdevices, Inc.	31/03/2005	2262105	10182813.5	
2262743	AGC Glass Europe	20/03/2009	2262743	09721364.9	French
2264526	FUJIFILM Corporation	30/03/2009	2264526	09728590.2	
2265438	HBK Family, LLC	23/03/2009	2265438	09721657.6	
2268240	ConvaTec Technologies Inc.	07/04/2009	2268240	09836548.9	
2269179	Echostar Technologies L.L.C.	08/04/2009	2269179	09733307.4	
2270250	Kubota Corporation	18/03/2009	2270250	09725795.0	
2271431	Baker, William John	08/04/2009	2271431	09729274.2	
2271723	3M Innovative Properties Company	09/04/2009	2271723	09735453.4	
2272152	Randax OY	07/04/2009	2272152	09733476.7	
2279034	DIONEX CORPORATION	23/04/2009	2279034	09743262.9	
2281598	Drägerwerk AG & Co. KGaA	05/08/2009	2281598	09167232.9	German
2282463	LG Electronics Inc.	11/11/2009	2282463	09014120.1	
2282492	BlackBerry Limited	07/06/2010	2282492	10165134.7	
2283081	3M Innovative Properties Company	17/04/2009	2283081	09733720.8	
2283229	AWS Ocean Energy Limited	27/02/2009	2283229	09715907.3	
2285576	Hewlett-Packard Development Company, L.P.	05/06/2008	2285576	08756718.6	
2285906	SABIC Global Technologies B.V.	26/03/2009	2285906	09755356.4	

4072	(No. 2387)	<i>Patents Office Journal</i>		(12/06/2019)	
2288395	Fresenius Medical Care Deutschland GmbH	04/06/2009	2288395	09757296.0	German
2290118	Samsung Display Co., Ltd.	27/08/2010	2290118	10251514.5	
2290435	Sharp Kabushiki Kaisha	13/03/2009	2290435	09769934.2	
2290942	Bond TV LLC	25/08/2009	2290942	09168631.1	
2292669	tesa SE	30/07/2010	2292669	10171349.3	German
2293113	Fraunhofer-Gesellschaft zur Förderung der Angewandten Forschung e.V.	02/02/2009	2293113	10194910.5	German
2293285	AU Optronics Corporation	23/12/2009	2293285	09180711.5	
2294034	Snecma Propulsion Solide	05/06/2009	2294034	09772703.6	French
2295821	Black & Decker Inc.	26/08/2010	2295821	10174225.2	
2296145	Fraunhofer-Gesellschaft zur Förderung der Angewandten Forschung e.V.	17/02/2009	2296145	10194086.4	
2296389	ZTE Corporation	15/06/2009	2296389	09765394.3	
2297003	S.C. Johnson & Son, Inc.	22/06/2009	2297003	09788817.6	
2301092	OSRAM OLED GmbH	19/06/2009	2301092	09775897.3	German
2301217	Skype	16/06/2009	2301217	09765849.6	
2302968	Samsung Electronics Co., Ltd.	28/09/2010	2302968	10181063.8	
2306405	Continental Automotive GmbH	21/09/2010	2306405	10177787.8	German
2306768	BlackBerry Limited	30/09/2010	2306768	10184900.8	
2307260	Horiba Instruments Incorporated	21/07/2009	2307260	09803389.7	
2307831	BSH Hausgeräte GmbH	21/07/2009	2307831	09780888.5	German
2311197	Maxim Integrated Products, Inc.	05/06/2009	2311197	09759573.0	
2313838	Google LLC	25/06/2009	2313838	09794964.8	
2315457	Omron Corporation	19/02/2009	2315457	09800160.5	
2315498	GE Lighting Solutions, LLC	29/03/2006	2315498	10011049.3	
2315865	Honeywell International Inc.	19/06/2009	2315865	09770807.7	
2316062	Microsoft Technology Licensing, LLC	26/07/2009	2316062	09810421.9	
2317903	ELTEK S.p.A.	29/07/2009	2317903	09802580.2	
2318075	Antares Pharma, Inc.	05/08/2009	2318075	09805495.0	
2318201	Compagnie Générale des Etablissements Michelin	27/06/2008	2318201	08772154.4	
2326724	Evonik Degussa GmbH	21/08/2009	2326724	09782063.3	
2327660	Sumitomo Chemical Company, Limited	28/08/2009	2327660	09810101.7	
2329975	DURA Automotive Holdings U.K., Ltd.	26/10/2010	2329975	10013981.5	German
2332015	Hewlett-Packard Development Company, L.P.	01/10/2008	2332015	08877201.7	
2334761	Catalytic Distillation Technologies	04/09/2009	2334761	09818197.7	

2334918	PSA Automobiles SA GM Global Technology Operations LLC	31/08/2009	2334918	09740507.0	French
2336938	Inside Secure	01/12/2010	2336938	10358008.0	French
2337663	TOTAL RESEARCH & TECHNOLOGY FELUY	01/10/2009	2337663	09783626.6	
2337953	Innolith Assets AG	09/10/2009	2337953	09741266.2	
2338852	OFS Fitel, LLC	15/02/2010	2338852	10153635.7	
2339928	The Quaker Oats Company	20/10/2009	2339928	09744535.7	
2340427	Agilent Technologies, Inc.	20/10/2009	2340427	09822583.2	
2340932	JFE Steel Corporation	17/09/2009	2340932	09816261.3	
2342083	Fujifilm Dimatix, Inc.	22/09/2009	2342083	09818244.7	
2343706	Sony Corporation	28/10/2009	2343706	09823718.3	
2344562	The Chemours Company FC, LLC	11/11/2009	2344562	09752973.9	
2346100	LG Innotek Co., Ltd.	07/01/2011	2346100	11150403.1	
2347035	BL Technologies, Inc.	07/10/2009	2347035	09741084.9	
2348547	LG Innotek Co., Ltd.	18/01/2011	2348547	11151329.7	
2349111	Mako Surgical Corp.	01/10/2009	2349111	09736740.3	
2349600	CiTech Energy Recovery System Malaysia Sdn. Bhd.	11/09/2009	2349600	09785629.8	
2351001	AMST-Systemtechnik GmbH	06/10/2009	2351001	09778853.3	German
2351593	Cardinal Health Switzerland 515 GmbH	19/01/2011	2351593	11151452.7	
2351979	LG Electronics Inc.	11/01/2011	2351979	11150572.3	
2352984	BIT Group France	01/12/2009	2352984	09801729.6	French
2353921	TOYOTA JIDOSHA KABUSHIKI KAISHA	21/11/2008	2353921	08878276.8	
2354087	Kao Corporation	16/11/2009	2354087	09825940.1	
2355187	LG Innotek Co., Ltd.	02/02/2011	2355187	11153003.6	
2356081	Centrum Voor Technische Informatica B.V.	21/10/2008	2356081	08876219.0	
2356160	Sun Chemical B.V.	19/10/2009	2356160	09740109.5	
2356197	ENI S.p.A.	16/10/2009	2356197	09759987.2	
2357361	Mitsubishi Heavy Industries, Ltd.	26/11/2009	2357361	09830332.4	
2360748	LG Innotek Co., Ltd.	02/02/2011	2360748	11153078.8	
2362566	Samsung Electronics Co., Ltd.	22/02/2011	2362566	11155356.6	
2364346	AIR PRODUCTS AND CHEMICALS, INC.	03/12/2009	2364346	09764515.4	
2367115	Kabushiki Kaisha Toshiba	24/02/2011	2367115	11155881.3	

4074	(No. 2387)	<i>Patents Office Journal</i>		(12/06/2019)	
2367131	Konica Minolta Business Technologies, Inc.	07/03/2011	2367131	11157144.4	
2367383	Nintendo Co., Ltd.	01/06/2010	2367383	10164575.2	
2369106	dormakaba Deutschland GmbH	10/03/2011	2369106	11001974.2	German
2369771	InterDigital Technology Corporation	22/08/2006	2369771	11170284.1	
2370037	Aesculap AG	03/12/2009	2370037	09765037.8	
2370420	TRANSITIONS OPTICAL, INC.	24/11/2009	2370420	09764654.1	
2370918	Haskolinn I Reykjavik	02/12/2009	2370918	09801289.1	
2371072	Astrium Limited	23/12/2009	2371072	09801982.1	
2372075	HALLIBURTON ENERGY SERVICES, INC.	22/03/2011	2372075	11159218.4	
2372090	General Electric Company	16/03/2011	2372090	11158418.1	
2372105	Rolls-Royce plc	09/03/2011	2372105	11157430.7	
2372370	Symex Corporation	30/03/2011	2372370	11160392.4	
2373148	Pasteuria Bioscience, Inc.	18/12/2009	2373148	09837991.0	
2373244	Mako Surgical Corp.	11/12/2008	2373244	08876503.7	
2373578	thyssenkrupp Industrial Solutions AG	01/12/2009	2373578	09767960.9	German
2373769	voestalpine Stahl GmbH	23/11/2009	2373769	09760141.3	German
2375091	Doosan Infracore Co., Ltd.	01/12/2009	2375091	09830562.6	
2377013	Schneider Electric Systems USA, Inc.	07/12/2009	2377013	09831259.8	
2377258	BlackBerry Limited	29/10/2009	2377258	09752588.5	
2377428	Cambro Manufacturing Company	19/04/2011	2377428	11163053.9	
2377927	EMD Millipore Corporation	14/04/2011	2377927	11162488.8	
2383995	Nvidia Corporation	14/02/2011	2383995	11001188.9	
2384590	Nokia Technologies Oy	14/12/2009	2384590	09839081.8	
2385264	ZF Friedrichshafen AG	04/04/2011	2385264	11160936.8	German
2385453	LG ELECTRONICS INC.	07/03/2011	2385453	11001862.9	
2385513	FUJITSU LIMITED	14/03/2011	2385513	11157990.0	
2386053	M.C. Rombach Holding B.V.	08/01/2010	2386053	10700187.7	
2388346	H.C. Starck Inc.	21/08/2006	2388346	11177836.1	
2391634	Bangor University	29/01/2010	2391634	10702345.9	
2393083	Samsung Electronics Co., Ltd.	27/01/2010	2393083	10736005.9	
2393144	GS Yuasa International Ltd.	01/02/2010	2393144	10735932.5	
2396352	Clariant International Ltd	05/02/2010	2396352	10703419.1	German
2396729	Toshiba Memory Corporation	12/02/2010	2396729	10741329.6	
2398552	Sage Products, LLC	22/02/2010	2398552	10744441.6	
2399278	Mapper Lithography IP B.V.	18/02/2010	2399278	10705585.7	

2399567	Natural Medicine Institute Of Zhejiang Yangshengtang Co., Ltd.	27/01/2010	2399567	10743388.0	
2400950	Glaxo Group Limited	26/02/2009	2400950	09779096.8	
2401084	BASF SE Siemens Aktiengesellschaft	22/02/2010	2401084	10704938.9	German
2403093	Hitachi, Ltd.	28/06/2011	2403093	11005278.4	
2403867	Deutsches Krebsforschungszentrum Medigene AG	04/03/2010	2403867	10708716.5	
2407636	Mitsubishi Electric Corporation	12/04/2011	2407636	11003080.6	
2409132	Centre National de la Recherche Scientifique Université d'Orléans	12/03/2010	2409132	10712454.7	French
2409224	SubCom, LLC	16/03/2010	2409224	10753958.7	
2410121	Weatherford Technology Holdings, LLC	26/05/2011	2410121	11167645.8	
2414153	GO ENERGY S.r.l.	24/03/2010	2414153	10710039.8	
2414505	University of Florida Research Foundation, Inc.	02/04/2010	2414505	10759450.9	
2414901	BL Technologies, Inc.	08/03/2010	2414901	10716652.2	
2415500	Siemens Medical Solutions USA, Inc.	20/07/2011	2415500	11174759.8	
2415980	TOYOTA JIDOSHA KABUSHIKI KAISHA	31/03/2009	2415980	09829856.5	
2417248	Sartorius Stedim Cellca GmbH	09/04/2010	2417248	10713840.6	
2417941	University of Tsukuba	09/04/2010	2417941	10761764.9	
2418297	Rolls-Royce plc	02/08/2011	2418297	11176269.6	
2419160	Bivacor Pty Ltd	16/04/2010	2419160	10763985.8	
2420180	Tearscience, Inc.	01/04/2010	2420180	11183259.8	
2421587	SHL Medical AG	19/04/2010	2421587	10767386.5	
2422020	Saipem S.p.A.	20/04/2010	2422020	10725366.8	
2422460	NEC Corporation	19/04/2010	2422460	10719130.6	
2423290	Takasago International Corporation	23/04/2010	2423290	10767165.3	
2424658	Chevron U.S.A., Inc.	08/04/2010	2424658	10770110.4	
2424663	Chevron U.S.A., Inc.	08/04/2010	2424663	10770108.8	
2424664	Chevron U.S.A., Inc.	08/04/2010	2424664	10770109.6	
2425581	ASSA ABLOY AB	28/04/2010	2425581	10727055.5	French
2426927	CANON KABUSHIKI KAISHA	02/09/2011	2426927	11179896.3	
2428060	Nokia Technologies Oy	12/03/2010	2428060	10772061.7	
2431161	The Boeing Company	19/09/2011	2431161	11181859.7	

4076	(No. 2387)	Patents Office Journal	(12/06/2019)		
2432037	Mitsubishi Chemical Corporation	24/08/2010	2432037	10811868.8	
2434042	WHIRLPOOL CORPORATION	19/09/2011	2434042	11181783.9	
2436210	Microsoft Technology Licensing, LLC	28/05/2010	2436210	10781354.5	
2439310	Nippon Steel & Sumitomo Metal Corporation	04/06/2010	2439310	10783493.9	
2440255	Sterilucent, Inc.	02/04/2010	2440255	10786476.1	
2442083	Rolls-Royce plc	06/09/2011	2442083	11180140.3	
2442163	Nitto Denko Corporation	18/06/2010	2442163	10789577.3	
2442356	Sharp Kabushiki Kaisha	24/02/2010	2442356	10785868.0	
2443837	IMAX Theatres International Limited	09/06/2010	2443837	10726669.4	
2444826	Toppan Printing Co., Ltd.	17/06/2010	2444826	10789559.1	
2445670	BASF SE	22/06/2010	2445670	10726956.5	German
2445841	James Hardie Technology Limited	14/06/2010	2445841	10792524.0	
2447980	Thermo Fisher Scientific (Bremen) GmbH	02/11/2010	2447980	10189667.8	
2450790	Brother Kogyo Kabushiki Kaisha	03/11/2011	2450790	11187734.6	
2451031	Raytheon Company	17/11/2008	2451031	12150106.8	
2451050	TOYOTA JIDOSHA KABUSHIKI KAISHA	27/04/2010	2451050	10793907.6	
2452410	ABB Research Ltd.	27/05/2010	2452410	10724049.1	
2454778	Schumacher Electric Corporation	07/07/2010	2454778	10800331.0	
2455789	Valeo Schalter und Sensoren GmbH	11/11/2011	2455789	11188721.2	German
2459248	biolitec Unternehmensbeteiligungs II AG	02/06/2010	2459248	10783996.1	
2459459	Linpac Packaging Limited	10/01/2011	2459459	11704299.4	
2460403	SMC Global Asset, Inc.	31/07/2009	2460403	09847838.1	
2461265	Novomatic AG	03/12/2010	2461265	10015270.1	
2461552	LG Electronics Inc.	18/11/2011	2461552	11189796.3	
2462410	TeleNav, Inc.	05/08/2010	2462410	10807137.4	
2462711	Telefonaktiebolaget LM Ericsson (publ)	10/09/2009	2462711	09782891.7	
2463623	Systron Donner Inertial, Inc.	13/12/2011	2463623	11193233.1	
2464357	Berg LLC	06/08/2010	2464357	10808565.5	
2464920	Carrier Corporation	06/08/2010	2464920	10808560.6	
2465371	Salomon S.A.S.	04/11/2011	2465371	11008806.9	French
2465511	Baylor College Of Medicine	19/10/2007	2465511	11193768.6	
2465688	CANON KABUSHIKI KAISHA	06/12/2011	2465688	11009609.6	
2466290	Bruker Daltonik GmbH	07/12/2011	2466290	11009640.1	
2466414	ZTE Corporation	22/12/2010	2466414	10851670.9	

2467852	Rambus Inc.	17/06/2010	2467852	10810321.9	
2468617	Honda Motor Co., Ltd.	22/11/2011	2468617	11190101.3	
2469583	Infineon Technologies Americas Corp.	18/11/2011	2469583	11189846.6	
2469988	Hager Controls SAS	27/12/2011	2469988	11306779.7	French
2470059	Indian Ocean Medical Inc.	12/08/2010	2470059	10754963.6	
2470199	Icahn School of Medicine at Mount Sinai Genzyme Corporation	28/08/2010	2470199	10812683.0	
2470885	Fraunhofer-Gesellschaft zur Förderung der angewandten Forschung e.V. Miopas GmbH	24/08/2010	2470885	10751894.6	German
2472040	Verolux S.r.l.	30/12/2010	2472040	10425401.6	
2472518	Sony Corporation	20/12/2011	2472518	11194617.4	
2472739	Samsung Electronics Co., Ltd.	25/08/2010	2472739	10812266.4	
2474980	STMicroelectronics Pte Ltd.	23/12/2011	2474980	11195540.7	
2476495	Lignyte Co., Ltd.	08/09/2010	2476495	10815390.9	
2477199	Nissan Motor Co., Ltd.	04/08/2010	2477199	10815232.3	
2478651	Samsung Electronics Co., Ltd.	16/09/2010	2478651	10817429.3	
2480065	Syngenta Participations AG	19/09/2010	2480065	10755162.4	
2480325	ARKEMA FRANCE	23/09/2010	2480325	10769023.2	French
2483512	Baker Hughes, a GE company, LLC Element Six (Production) (Pty) Ltd.	01/10/2010	2483512	10821344.8	
2484022	Qualcomm Incorporated	29/09/2010	2484022	10768325.2	
2484033	Qualcomm Incorporated	30/09/2010	2484033	10766426.0	
2484317	Tokyo University Of Science Educational Foundation Administrative Organization	04/03/2010	2484317	10818583.6	
2484866	General Electric Company	30/01/2012	2484866	12153161.0	
2485218	YAMAHA Corporation	07/02/2012	2485218	12154218.7	
2488018	Copperhead Chemical Company	18/10/2010	2488018	10824241.3	
2489055	Altera Corporation	15/10/2010	2489055	10773196.0	
2489299	Miele & Cie. KG	14/02/2012	2489299	12401021.6	German
2490629	Cook Medical Technologies, LLC	14/10/2010	2490629	10774047.4	
2492803	Ricoh Company, Ltd.	14/02/2012	2492803	12155468.7	
2493291	Dendritic Nanotechnologies, Inc. Priostar Pty Ltd	26/10/2010	2493291	10827405.1	
2493700	De La Rue International Limited	27/10/2010	2493700	10775856.7	
2494437	Canon Kabushiki Kaisha	14/10/2010	2494437	10826282.5	

4078	(No. 2387)	<i>Patents Office Journal</i>		(12/06/2019)	
2495989	Samsung Electronics Co., Ltd.	01/03/2012	2495989	12157672.2	
2496227	SK Biopharmaceuticals Co., Ltd.	01/11/2010	2496227	10828479.5	
2497678	General Electric Company	05/03/2012	2497678	12158055.9	
2498139	Brother Kogyo Kabushiki Kaisha	16/01/2012	2498139	12151207.3	
2498144	Manufacture et fabrique de montres et chronomètres Ulysse Nardin Le Locle S.A.	13/02/2012	2498144	12155255.8	French
2499016	SEW-EURODRIVE GmbH & Co. KG	09/11/2010	2499016	10779249.1	German
2499584	Altera Corporation	10/11/2010	2499584	10830620.0	
2500544	TOYOTA JIDOSHA KABUSHIKI KAISHA	11/11/2009	2500544	09851261.9	
2501214	Weiss Klimatechnik GmbH	16/03/2012	2501214	12159822.1	German
2501584	Volkswagen Aktiengesellschaft	18/10/2010	2501584	10772975.8	German
2501585	Volkswagen Aktiengesellschaft	18/10/2010	2501585	10772976.6	German
2503823	QUALCOMM Incorporated	09/02/2010	2503823	12004591.9	
2504497	ExxonMobil Upstream Research Company	22/10/2010	2504497	10833743.7	
2504780	Briffid AB	26/11/2010	2504780	10833672.8	
2505786	General Electric Company	29/03/2012	2505786	12162281.5	
2507828	Schlumberger Technology B.V.	01/12/2010	2507828	10835067.9	
2509378	Sharp Kabushiki Kaisha	25/11/2010	2509378	10833288.3	
2509662	Sanofi-Aventis Deutschland GmbH	06/12/2010	2509662	10790536.6	
2510404	Sorama Holding B.V.	06/12/2010	2510404	10787755.7	
2511433	Glackin, Desmond	11/04/2012	2511433	12394003.3	
2513661	Koninklijke Philips N.V.	13/12/2010	2513661	10809186.9	
2514008	Molecular Rebar Design, LLC	14/12/2010	2514008	10812970.1	
2514026	Thales	16/12/2010	2514026	10795672.4	French
2514813	Kao Corporation	14/12/2010	2514813	10837601.3	
2515946	The Board of Trustees of the University of Illinois	23/12/2010	2515946	10840174.6	
2516034	GE Healthcare Bio-Sciences AB	21/12/2010	2516034	10805422.2	
2517012	Cellestis Limited	21/12/2010	2517012	10838413.2	
2517071	RealD Inc.	22/12/2010	2517071	10843601.5	
2520465	WESTFALIA - Automotive GmbH	20/03/2008	2520465	12005694.0	German
2520677	Nippon Steel & Sumitomo Metal Corporation	16/12/2010	2520677	10840934.3	
2521413	ZTE Corporation	21/01/2011	2521413	11741851.7	
2524437	BlackBerry Limited	07/01/2011	2524437	11732202.4	

2524553	Apple Inc.	25/08/2010	2524553	10762785.3	
2525381	Fuji Electric Fa Components & Systems Co., Ltd.	13/09/2010	2525381	10842979.6	
2526550	Dolby International AB	05/01/2011	2526550	11700033.1	
2527689	Goodrich Actuation Systems Ltd.	23/05/2012	2527689	12250113.3	
2527996	SAP SE	24/05/2012	2527996	12004039.9	
2528425	JUKI Corporation	25/05/2012	2528425	12169432.7	
2529166	LG Electronics Inc.	20/08/2010	2529166	10844791.3	
2531017	Mayer, Frank F. E.	04/02/2011	2531017	11713469.2	German
2531310	Crown Packaging Technology, Inc.	04/02/2011	2531310	11702226.9	
2532502	Schukra Gerätebau GmbH	10/06/2011	2532502	11004795.8	
2532800	HILTI Aktiengesellschaft	22/05/2012	2532800	12168783.4	German
2532936	Zodiac Pool Systems LLC	07/12/2010	2532936	12181405.7	
2533947	Irvin, Timothy James	08/02/2011	2533947	11740096.0	
2534540	Phase Holographic Imaging PHI AB	07/02/2011	2534540	11742554.6	
2534576	Google LLC	10/01/2011	2534576	11700767.4	
2534592	Aspen Technology Inc.	21/04/2011	2534592	11718581.9	
2534822	Genesys Telecommunications Laboratories, Inc.	26/01/2011	2534822	11703536.0	
2534857	BlackBerry Limited	14/02/2011	2534857	11742949.8	
2535226	Renault S.A.S.	04/06/2012	2535226	12305624.4	French
2535764	BOE Technology Group Co., Ltd.	12/06/2012	2535764	12171610.4	
2536240	Sharp Kabushiki Kaisha	17/01/2011	2536240	11742073.7	
2537267	Samsung Electronics Co., Ltd.	16/02/2011	2537267	11744886.0	
2538283	CANON KABUSHIKI KAISHA	13/06/2012	2538283	12171742.5	
2539415	Intercontinental Great Brands LLC	24/02/2011	2539415	11707526.7	
2540399	Menarini Silicon Biosystems S.p.A.	06/07/2005	2540399	12177401.2	
2540939	Aug. Winkhaus GmbH & Co. KG	19/06/2012	2540939	12172612.9	German
2541910	LG Electronics Inc.	23/02/2011	2541910	11747643.2	
2542256	MacroGenics, Inc.	01/03/2011	2542256	11751204.6	
2543088	BOE Technology Group Co., Ltd.	25/02/2011	2543088	11707306.4	
2544696	Inovobiologic, Inc.	10/03/2011	2544696	11752778.8	
2544965	Entegris, Inc.	11/03/2011	2544965	11754236.5	
2545606	Duracell U.S. Operations, Inc.	08/03/2011	2545606	11712072.5	
2546235	Nippon Soda Co., Ltd.	08/03/2011	2546235	11753363.8	
2547155	Nippon Telegraph And Telephone Corporation	10/03/2011	2547155	11753437.0	
2547416	Smartpolymer GmbH	11/03/2011	2547416	11708242.0	German

4080	(No. 2387)	Patents Office Journal	(12/06/2019)		
2549585	Harris Corporation	06/07/2012	2549585	12005036.4	
2549979	Beiersdorf AG	21/02/2011	2549979	11704071.7	German
2550001	Phio Pharmaceuticals Corp.	24/03/2011	2550001	11760245.8	
2551114	Gallus Druckmaschinen GmbH	19/07/2012	2551114	12177050.7	German
2552004	Brother Kogyo Kabushiki Kaisha	25/07/2012	2552004	12177782.5	
2552590	Safran Aircraft Engines	21/03/2011	2552590	11715956.6	French
2552600	Saint-Gobain PAM	01/04/2011	2552600	11719325.0	French
2552996	The Procter & Gamble Company	01/04/2011	2552996	11713622.6	
2553708	Thermo Finnigan LLC	31/03/2011	2553708	11714190.3	
2553964	Nokia Solutions and Networks Oy	01/04/2010	2553964	10848661.4	
2554296	Schmelzmetall AG	17/07/2012	2554296	12176775.0	German
2554690	NGK SPARK PLUG CO., LTD.	18/01/2011	2554690	11765169.5	
2554921	Lu, Yijian	08/03/2011	2554921	11752826.5	
	Lu, Jinhe				
2555354	NGK Sparkplug Co., Ltd.	28/03/2011	2555354	11765208.1	
2555410	Hitachi Automotive Systems, Ltd.	31/03/2011	2555410	11765763.5	
2557390	Hexagon Metrology S.p.A.	12/08/2011	2557390	11177514.4	
2557562	BlackBerry Limited	08/08/2011	2557562	11176796.8	
2558079	S. Zhaveri Pharmakem PVT. Ltd	03/06/2010	2558079	10778730.1	
2558779	Whirlpool EMEA S.p.A.	08/04/2011	2558779	11721363.7	
2558787	Whirlpool EMEA S.p.A.	12/04/2011	2558787	11722531.8	
2560239	DMC Power, Inc.	20/07/2012	2560239	12177292.5	
2560577	Johnson & Johnson Surgical Vision, Inc.	22/04/2011	2560577	11717438.3	
2561034	BASF SE	27/01/2011	2561034	11700857.3	German
2561596	Tigo Energy, Inc.	22/04/2011	2561596	11772811.3	
2562347	BAUER Maschinen GmbH	23/08/2011	2562347	11006878.0	German
2563529	National Oilwell Varco, L.P.	11/04/2011	2563529	11714825.4	
2564173	AGELLIS Group AB	27/04/2011	2564173	11775378.0	
2564398	Commissariat à l'Énergie Atomique et aux Énergies Alternatives	26/04/2011	2564398	11722906.2	French
2564539	Nokia Solutions and Networks Oy	30/04/2010	2564539	10850442.4	
2564606	Alcatel Lucent	13/04/2011	2564606	11716722.1	
2564990	The Boeing Company	24/06/2004	2564990	12189441.4	
2565960	Samsung SDI Co., Ltd. Robert Bosch GmbH	06/01/2012	2565960	12150349.4	
2567675	Cellsafe Co. Ltd.	25/04/2011	2567675	11775218.8	
2570727	Rolls-Royce plc	03/09/2012	2570727	12182739.8	

2573360	GENERAL ELECTRIC COMPANY	14/09/2012	2573360	12184388.2	
2573430	NISSAN MOTOR CO., LTD.	20/04/2011	2573430	11783360.8	
2574747	MANN + HUMMEL GMBH	25/09/2012	2574747	12185772.6	German
2574759	Hamilton Sundstrand Corporation	14/09/2012	2574759	12184370.0	
2575922	TC1 LLC	07/06/2011	2575922	11793033.9	
2577129	Bermad CS Ltd.	31/10/2010	2577129	10852818.3	
2577307	Cellestis Limited	23/05/2011	2577307	11785895.1	
2577468	Privowny, Inc.	26/05/2011	2577468	11787449.5	
2577915	Orange	24/05/2011	2577915	11726894.6	French
2577928	Qualcomm Incorporated	02/06/2011	2577928	11727581.8	
2578477	NISSAN MOTOR CO., LTD.	29/03/2011	2578477	11792207.0	
2579999	STERIS Corporation	11/06/2010	2579999	10853015.5	
2580052	Avery Dennison Corporation	14/06/2011	2580052	11728738.3	
2580057	Avery Dennison Corporation	14/06/2011	2580057	11741323.7	
2580058	Stolle Machinery Company, LLC	18/04/2011	2580058	11792824.2	
2580715	Avery Dennison Corporation	14/06/2011	2580715	11739207.6	
2581037	Seiko Instruments Inc.	10/10/2012	2581037	12187894.6	
2582002	Electricité de France Electricité Réseau Distribution France	12/10/2012	2582002	12188337.5	French
2583054	Ultra Electronics Forensic Technology Inc.	02/06/2011	2583054	11795004.8	
2583084	Schlumberger Technology B.V.	26/04/2011	2583084	11798549.9	
2583774	United Technologies Corporation	18/10/2012	2583774	12189082.6	
2584136	Pengo Corporation	18/10/2012	2584136	12189128.7	
2585779	Eisenmann SE	09/06/2011	2585779	11725339.3	German
2586868	E.ON Bioerdgas GmbH	22/10/2012	2586868	12007275.6	German
2586896	L.G.L. Electronics S.p.A.	03/08/2012	2586896	12005650.2	
2587807	Ricoh Company, Ltd.	18/10/2012	2587807	12188967.9	
2588071	Nestec S.A. L'Oréal	28/06/2011	2588071	11730933.6	
2588859	Canon U.S. Life Sciences, Inc.	29/06/2011	2588859	11804174.8	
2589841	Eagle Industry Co., Ltd.	05/11/2010	2589841	10846308.4	
2589927	Sony Mobile Communications Inc.	18/10/2012	2589927	12007217.8	
2590095	Somfy Activites SA	07/11/2012	2590095	12191646.4	French
2593152	aap Implantate AG	18/07/2011	2593152	11748888.2	
2593388	BOBST MEX SA	24/06/2011	2593388	11729064.3	French
2593785	Petroleum Analyzer Company, LP	08/07/2011	2593785	11807314.7	

4082	(No. 2387)	<i>Patents Office Journal</i>		(12/06/2019)	
2594713	ASSA ABLOY Sicherheitstechnik GmbH	16/11/2012	2594713	12193015.0	German
2595247	Commтел Innovate Limited	16/11/2012	2595247	12193027.5	
2596191	Kaba Gallenschütz GmbH	23/07/2010	2596191	10749772.9	German
2596586	Novero Dabendorf GmbH	18/07/2011	2596586	11746193.9	German
2596761	Lee, Cheol-Gyu	20/07/2011	2596761	11809855.7	
2596981	TOYOTA JIDOSHA KABUSHIKI KAISHA	23/06/2010	2596981	10853640.0	
2597293	ArianeGroup GmbH	11/09/2012	2597293	12006377.1	German
2597870	LG Electronics Inc.	19/07/2011	2597870	11809851.6	
2598450	Rockwool International A/S	29/07/2011	2598450	11736396.0	
2598589	Merck Patent GmbH	27/07/2011	2598589	11757411.1	
2599307	LG Electronics Inc.	15/12/2010	2599307	10855386.8	
2600553	Hughes Network Systems, LLC	28/11/2012	2600553	12194700.6	
2601794	Lindsey Manufacturing Company	02/08/2011	2601794	11815230.5	
2603128	ROLPH, Ian Douglas	09/08/2011	2603128	11761100.4	
2603338	voestalpine Stahl GmbH	12/08/2011	2603338	11810987.5	German
2603692	Jupiter Hydro Inc.	11/08/2011	2603692	11815972.2	
2604068	Qualcomm Incorporated	12/08/2011	2604068	11745904.0	
2604826	General Electric Company	11/12/2012	2604826	12196597.4	
2604976	QUALCOMM Incorporated	20/01/2011	2604976	13158813.9	
2606800	BSH Hausgeräte GmbH	18/12/2012	2606800	12197738.3	German
2607670	TOYOTA JIDOSHA KABUSHIKI KAISHA	20/08/2010	2607670	10856163.0	
2607717	Kawasaki Jukogyo Kabushiki Kaisha	13/07/2011	2607717	11817882.1	
2608809	Gilead Biologics, Inc.	26/08/2011	2608809	11820759.6	
2610892	Hitachi High-Technologies Corporation	17/12/2012	2610892	12197461.2	
2610933	Nichia Corporation	28/12/2012	2610933	12199636.7	
2611232	NEC Corporation	31/05/2011	2611232	11819531.2	
2611237	NEC Corporation	12/08/2011	2611237	11819562.7	
2611483	Dispenser Technologies Limited	05/09/2011	2611483	11752333.2	
2614527	Canon Kabushiki Kaisha	12/08/2011	2614527	11823390.7	
2614751	Hettich Franke GmbH & Co. KG	04/01/2013	2614751	13150256.9	German
2615704	NGK SPARK PLUG CO., LTD.	11/07/2011	2615704	11823325.3	
2616843	Landauer, Inc.	14/09/2011	2616843	11824678.4	
2617872	Mitsubishi Electric Corporation	16/09/2010	2617872	10836819.2	
2617966	United Technologies Corporation	15/01/2013	2617966	13151333.5	
2618027	Kubota Corporation	23/03/2011	2618027	11824822.8	

2619329	The Board of Trustees of The Leland Stanford Junior University	21/09/2011	2619329	11827484.4	
2619445	Sea Wind Towers, S.L. Esteyco S.A.P.	21/09/2011	2619445	11758478.9	
2619673	Micron Technology, Inc.	08/09/2011	2619673	11827202.0	
2620428	Wave Life Sciences Ltd.	22/09/2011	2620428	11826893.7	
2620717	Takubo Machine Works Co., Ltd.	19/12/2012	2620717	12198285.4	
2621233	Fujitsu Limited	20/09/2010	2621233	10857430.2	
2621294	Essentra Filter Products Development Co. Pte. Ltd.	27/09/2011	2621294	11767741.9	
2622336	Cilag GmbH International	30/09/2011	2622336	11791045.5	
2622357	Landis + Gyr Innovations, Inc.	08/09/2011	2622357	11831150.5	
2623042	Covidien LP	01/02/2013	2623042	13153611.2	
2624438	Andreas Stihl AG & Co. KG	31/01/2013	2624438	13000464.1	German
2626060	Shiseido Company, Ltd.	06/10/2011	2626060	11830730.5	
2626183	Hiroshima University SunAllomer Ltd.	07/10/2011	2626183	11830789.1	
2626658	LG Electronics Inc.	06/02/2013	2626658	13000612.5	
2627356	Janssen Biotech, Inc.	10/10/2011	2627356	11833202.2	
2628428	Festool GmbH	08/02/2013	2628428	13000691.9	German
2628458	Covidien LP	06/02/2013	2628458	13154178.1	
2628499	Boston Scientific Scimed, Inc.	26/11/2008	2628499	13168109.0	
2628527	Mitsubishi Hitachi Power Systems, Ltd.	15/10/2010	2628527	10858419.4	
2628682	Airbus Defence and Space, S.A.	20/02/2012	2628682	12382057.3	
2628936	Rolls-Royce Deutschland Ltd & Co KG	06/02/2013	2628936	13000624.0	German
2629159	Honeywell International Inc.	13/02/2013	2629159	13155129.3	
2629396	NEC Energy Devices, Ltd. NEC Corporation	07/10/2011	2629396	11832497.9	
2633006	Inaeris Technologies, LLC.	07/10/2011	2633006	11836833.1	
2633362	Lawrence Livermore National Security, LLC	21/10/2011	2633362	11836901.6	
2634371	General Electric Company	01/03/2013	2634371	13157496.4	
2634910	Sumida Corporation	01/09/2011	2634910	11835768.0	
2635269	AFT Pharmaceuticals Limited	26/10/2011	2635269	11838295.1	
2635485	SPEEDPLAY, INC.	09/11/2010	2635485	10779399.4	
2636829	Volkswagen Aktiengesellschaft	12/02/2013	2636829	13154929.7	German
2637182	JTEKT CORPORATION	27/02/2013	2637182	13156908.9	
2637657	MannKind Corporation	09/11/2011	2637657	11788696.0	

4084	(No. 2387)	<i>Patents Office Journal</i>			(12/06/2019)
2637827	Thomas, Hughen Gerrard	11/11/2011	2637827	11839546.6	
2637875	Oberthur Fiduciaire SAS	10/11/2011	2637875	11779701.9	French
2638510	Smartrac Investment B.V.	08/11/2011	2638510	11839058.2	
2639062	Mitsui Chemicals, Inc.	10/11/2011	2639062	11840530.7	
2639708	Ricoh Company, Ltd.	13/03/2012	2639708	12159331.3	
2639709	Ricoh Company, Ltd.	13/03/2012	2639709	12159337.0	
2640273	Koninklijke Philips N.V.	14/11/2011	2640273	11799134.9	
2640835	BASF SE	17/11/2011	2640835	11785004.0	German
2642189	KOITO MANUFACTURING CO., LTD.	20/03/2013	2642189	13160072.8	
2642306	Yazaki Corporation	02/11/2011	2642306	11838064.1	
2642325	Nanchang O-FILM Optical-Electronic Tech Co., LTD.	09/11/2011	2642325	11840920.0	
2642405	NEC Corporation	14/11/2011	2642405	11841533.0	
2642731	Gigaset Communications GmbH	19/10/2012	2642731	12189229.3	German
2642947	Aria CV, Inc.	22/11/2011	2642947	11843546.0	
2643017	Pantheryx, Inc.	21/11/2011	2643017	11843171.7	
2643940	Force 10 Networks, Inc.	22/11/2011	2643940	11843451.3	
2644444	UD Trucks Corporation	25/11/2010	2644444	10860016.4	
2644504	ZIM Flugsitz GmbH	25/03/2013	2644504	13001531.6	German
2645377	General Electric Company	25/03/2013	2645377	13160926.5	
2647526	Koito Manufacturing Co., Ltd.	29/03/2013	2647526	13161825.8	
2647865	BPW Bergische Achsen KG	28/03/2013	2647865	13161681.5	German
2650633	Mitsubishi Electric Corporation	20/03/2013	2650633	13160236.9	
2650709	Shin-Etsu Chemical Co., Ltd.	12/04/2013	2650709	13163496.6	
2651540	Umicore AG & Co. KG	14/12/2010	2651540	10794891.1	
2651617	Gimac di Maccagnan Giorgio	13/12/2010	2651617	10813089.9	
2652463	VEGA Grieshaber KG	16/12/2010	2652463	10795342.4	German
2653501	Zeon Corporation	16/12/2011	2653501	11848304.9	
2653934	Kyocera Document Solutions Inc.	15/04/2013	2653934	13163741.5	
2654806	Ortner Cleanroom Engineering GmbH	22/12/2011	2654806	11804697.8	
2655046	Stratasys, Inc.	21/12/2011	2655046	11810961.0	
2655293	Canon Kabushiki Kaisha	15/12/2011	2655293	11810902.4	
2655680	Constellium Isoire	16/12/2011	2655680	11808899.6	French
2656829	Tosho, Inc.	05/09/2011	2656829	11851805.9	
2657172	Mitsubishi Electric Corporation	22/12/2010	2657172	10860917.3	
2657452	Mitsubishi Hitachi Power Systems, Ltd.	22/12/2011	2657452	11851503.0	

2657499	IHI Aerospace Co., Ltd. IHI Corporation	23/04/2013	2657499	13164974.1	
2657685	BOBST ITALIA S.P.A.	27/04/2012	2657685	12425079.6	
2658322	Apple Inc.	20/04/2013	2658322	13164613.5	
2658465	biolitec Unternehmensbeteiligungs II AG	29/12/2011	2658465	11852256.4	
2658531	Avon Products, Inc.	21/11/2011	2658531	11853384.3	
2658600	Medtronic, Inc.	21/12/2011	2658600	11808097.7	
2660999	FUJITSU LIMITED	18/04/2013	2660999	13164265.4	
2661274	Bespoke Bioscience, LLC	06/01/2011	2661274	11854913.8	
2662350	Bayern-Chemie Gesellschaft für flugchemische Antriebe mbH	22/04/2013	2662350	13164672.1	German
2663012	BlackBerry Limited	05/06/2009	2663012	13179751.6	
2664379	ENGELHARD CORPORATION	22/08/2005	2664379	13178810.1	
2664605	Clariant Catalysts (Japan) K.K. National University Corporation Chiba University	12/01/2012	2664605	12734077.6	
2666504	Arven Ilac Sanayi Ve Ticaret A.S.	24/05/2013	2666504	13169276.6	
2666975	Mitsubishi Hitachi Power Systems, Ltd.	21/12/2011	2666975	11856314.7	
2668032	New Balance Athletics, Inc. Trexel, Inc.	27/01/2012	2668032	12704182.0	
2668717	Vysoké Učení Technické V Brne	03/08/2011	2668717	11784576.8	
2669220	Interroll Holding AG	29/05/2013	2669220	13169625.4	German
2669224	Valmet Technologies, Inc.	29/05/2012	2669224	12169784.1	
2669269	The University of North Carolina At Chapel Hill	30/05/2006	2669269	13175233.9	
2669536	TOYOTA JIDOSHA KABUSHIKI KAISHA	24/01/2011	2669536	11842458.9	
2669598	Mitsubishi Electric Corporation	26/01/2011	2669598	11856898.9	
2670533	BASF SE BASF Corporation	31/01/2012	2670533	12701754.9	
2670686	S.C. Johnson & Son, Inc.	30/01/2012	2670686	12703386.8	
2671188	Qualcomm Incorporated	31/01/2012	2671188	12704191.1	
2671403	Nokia Technologies Oy	01/02/2011	2671403	11704817.3	
2672512	Hamilton Sundstrand Space Systems International, Inc.	29/05/2013	2672512	13169616.3	
2672532	Panasonic Intellectual Property Management Co., Ltd.	29/08/2011	2672532	11857477.1	

4086	(No. 2387)	<i>Patents Office Journal</i>			(12/06/2019)
2672880	Apple Inc.	09/02/2012	2672880	12745037.7	
2676017	MTU Friedrichshafen GmbH	07/02/2012	2676017	12702992.4	German
2676677	Kyowa Hakko Kirin Co., Ltd.	16/02/2012	2676677	12747045.8	
2677352	FUJIFILM Corporation	15/02/2012	2677352	12747322.1	
2678499	Gardner Denver Schopfheim GmbH	20/02/2012	2678499	12706518.3	
2679134	Candy S.p.A.	25/06/2012	2679134	12425115.8	
2679135	Miele & Cie. KG	25/06/2012	2679135	12401126.3	German
2680474	Mitsubishi Electric Corporation	20/02/2012	2680474	12750102.1	
2681649	The Boeing Company	24/01/2012	2681649	12711707.5	
2681893	The Boeing Company	25/01/2012	2681893	12702143.4	
2682015	YKK Corporation	04/03/2011	2682015	11860394.3	
2682116	NIPPON SUISAN KAISHA, LTD.	29/02/2012	2682116	12755438.4	
2682271	Seiko Epson Corporation	08/07/2013	2682271	13175626.4	
2682684	LG Hausys, Ltd.	28/02/2012	2682684	12752956.8	
2683270	GlaxoSmithKline Consumer Healthcare GmbH & Co. KG	07/03/2012	2683270	12709043.9	
2683820	3M Innovative Properties Company	05/03/2012	2683820	12711054.2	
2684572	KM Biologics Co., Ltd.	09/03/2012	2684572	12757500.9	
2685432	Yamaha Hatsudoki Kabushiki Kaisha	15/11/2012	2685432	12192793.3	
2685639	BlackBerry Limited	11/07/2013	2685639	13176214.8	
2686215	KNORR-BREMSE Systeme für Nutzfahrzeuge GmbH	15/03/2012	2686215	12709853.1	German
2686530	Wärtsilä Finland Oy	12/03/2012	2686530	12713200.9	
2686771	EntIT Software LLC	15/03/2011	2686771	11861195.3	
2687103	BASF SE	20/07/2012	2687103	12177364.2	
2688459	Lensar, Inc.	22/03/2012	2688459	12764966.3	
2689437	Siemens Aktiengesellschaft	22/03/2012	2689437	12761246.3	
2690361	Kyungdong Navien Co., Ltd.	20/12/2011	2690361	11862540.9	
2690608	Glory Ltd.	24/07/2013	2690608	13177753.4	
2691027	Ahluwalia, Prabhat K. Ahluwalia, Puja	28/03/2012	2691027	12765768.2	
2692931	LG Electronics Inc.	29/07/2013	2692931	13178371.4	
2693737	Samsung Electronics Co., Ltd.	02/08/2013	2693737	13179134.5	
2693832	Alcatel Lucent	31/07/2012	2693832	12178663.6	
2694017	The Procter & Gamble Company	04/04/2012	2694017	12719132.8	
2694218	ETH Zurich	02/04/2012	2694218	12717047.0	
2695739	Seiko Epson Corporation	06/08/2013	2695739	13179387.9	
2696005	Malagrida Group S.r.l.	09/08/2013	2696005	13179995.9	

2696772	St. Jude Medical, LLC	12/04/2012	2696772	12715799.8	
2697572	Belimo Holding AG	11/04/2012	2697572	12713862.6	German
2697842	Bayerische Motoren Werke Aktiengesellschaft	13/03/2012	2697842	12709534.7	German
2698091	Miele & Cie. KG	01/08/2013	2698091	13401080.0	German
2700777	Aisin Seiki Kabushiki Kaisha	12/04/2012	2700777	12774822.6	
2701729	BIOM'UP	26/04/2012	2701729	12717682.4	
2702496	Qualcomm Incorporated	27/04/2012	2702496	12722568.8	
2703047	Honeywell International Inc.	26/08/2013	2703047	13181745.4	
2703048	Honeywell International Inc.	26/08/2013	2703048	13181747.0	
2703721	Ansaldo Energia IP UK Limited	31/08/2012	2703721	12182600.2	
2704289	Samsung SDI Co., Ltd.	16/07/2013	2704289	13176641.2	
2705844	AJINOMOTO CO., INC.	13/04/2012	2705844	12771356.8	
2707212	Romaco Kilian GmbH	09/05/2012	2707212	12724404.4	
2708100	Nokia Technologies Oy	26/04/2012	2708100	12782245.0	
2708777	ArvinMeritor Technology, LLC	02/09/2013	2708777	13182565.5	
2709305	LG Electronics, Inc.	19/09/2011	2709305	13005792.0	
2709393	Alcatel Lucent	13/09/2012	2709393	12360066.0	
2711227	Scania CV AB	17/09/2013	2711227	13184726.1	
2711282	Mando Corporation	26/10/2012	2711282	12190245.6	
2711720	RISE Acreo AB	25/09/2012	2711720	12185908.6	
2711798	Omron Corporation	12/03/2012	2711798	12814595.0	
2712110	QUALCOMM Incorporated	27/07/2007	2712110	13190952.5	
2713017	Nuovo Pignone S.p.A.	27/09/2013	2713017	13186436.5	
2713166	EPPENDORF AG	01/10/2012	2713166	12006836.6	German
2713515	ARES TRADING S.A.	30/01/2007	2713515	13005783.9	
2713749	Suncor Energy Inc.	04/06/2012	2713749	12793919.7	
2714084	Dyax Corp.	01/06/2012	2714084	12793948.6	
2714848	Sicat LLC Total SA University Of Strasbourg Centre National de la Recherche Scientifique	31/05/2012	2714848	12729686.1	French
2716299	Chonnam National University Hospital	01/06/2012	2716299	12793200.2	
2716613	AGC Inc.	24/05/2012	2716613	12789598.5	
2716773	JFE Steel Corporation	01/06/2012	2716773	12792750.7	
2717126	Huawei Device Co., Ltd.	23/05/2011	2717126	11777231.9	
2717191	BIT4ID S.r.l.	30/09/2013	2717191	13186755.8	

4088	(No. 2387)	<i>Patents Office Journal</i>		(12/06/2019)	
2717551	LG Electronics, Inc.	30/08/2013	2717551	13182540.8	
2718187	Airbus Defence and Space GmbH	25/05/2012	2718187	12740466.3	German
2720377	Samsung Electronics Co., Ltd.	09/06/2008	2720377	13194448.0	
2720535	Ecolab USA Inc.	26/04/2012	2720535	12801213.5	
2720773	MANN + HUMMEL GMBH	14/06/2012	2720773	12728243.2	German
2720812	ENVIT, Environmental Technologies and Engineering Ltd.	15/06/2012	2720812	12783688.0	
2722527	Edwards Japan Limited	02/04/2012	2722527	12800013.0	
2724021	Logima ApS	20/06/2012	2724021	12802424.7	
2725236	Terex Global GmbH	16/09/2013	2725236	13075064.9	German
2726113	Paul Hartmann AG	29/06/2012	2726113	12734803.5	German
2726393	Monteferro S.p.A.	27/06/2012	2726393	12745545.9	
2726445	Stamicarbon B.V. acting under the name of MT Innovation Center Universität Stuttgart	28/06/2012	2726445	12737905.5	
2727439	Signify Holding B.V.	25/06/2012	2727439	12748532.4	
2728889	Comcast Cable Communications, LLC	04/11/2013	2728889	13191348.5	
2729012	Valio Ltd	19/06/2012	2729012	12761639.9	
2729583	The Govt. Of The U.S.A. As Represented By The Secretary Of The Department Of Health & Human Services	05/07/2012	2729583	12808072.8	
2730263	Maquet GmbH	08/11/2013	2730263	13192142.1	German
2730368	Andreas Maier GmbH & Co. KG	05/11/2013	2730368	13191658.7	German
2730603	JNC Corporation	28/06/2012	2730603	12807435.8	
2731437	Sumitomo Chemical Company, Limited	12/07/2012	2731437	12811430.3	
2731817	Faurecia Intérieur Industrie	12/07/2012	2731817	12733764.0	French
2731856	Schlage Lock Company LLC	16/07/2012	2731856	12814573.7	
2732364	Samsung Electronics Co., Ltd.	11/07/2012	2732364	12811538.3	
2732986	Bridgestone Corporation	13/07/2012	2732986	12810571.5	
2733288	F. Hesterberg & Söhne GmbH & Co. KG	11/11/2013	2733288	13192320.3	German
2733746	Fuji Electric Co., Ltd.	06/09/2012	2733746	12830610.7	
2733753	Koito Manufacturing Co., Ltd.	21/06/2012	2733753	12811949.2	
2733807	Fuji Electric Co., Ltd.	08/11/2013	2733807	13192186.8	
2734636	Sozzi, Gabriella Boeri, Mattia Pastorino, Ugo	07/02/2012	2734636	12720568.0	

2734862	Airthings AS	19/07/2012	2734862	12746381.8	
2735131	Raketu Communications, Inc.	19/07/2012	2735131	12743302.7	
2735291	Pohlig GmbH	26/11/2013	2735291	13194458.9	German
2736028	Toyota Jidosha Kabushiki Kaisha	21/07/2011	2736028	11869524.6	
2736236	LG Electronics Inc.	17/03/2008	2736236	14155663.9	
2736650	Sumitomo Chemical Company Limited	22/06/2012	2736650	12735343.1	
2736916	ELITechGroup, Inc.	24/07/2012	2736916	12748296.6	
2738141	Tokuyama Corporation	11/07/2012	2738141	12818442.1	
2738188	Mitsui Chemicals, Inc.	25/07/2011	2738188	11870129.1	
2738783	Samsung Electronics Co., Ltd.	06/11/2013	2738783	13191717.1	
2738887	Mitsubishi Heavy Industries, Ltd.	05/06/2013	2738887	13170626.9	
2739029	HP Printing Korea Co., Ltd.	23/10/2013	2739029	13189890.0	
2739172	NIKE Innovate C.V.	31/07/2012	2739172	12762100.1	
2739314	Alfasigma S.p.A.	25/07/2012	2739314	12740137.0	
2739922	LG Electronics Inc.	19/07/2012	2739922	12821595.1	
2740696	Datamax-O'Neil Corporation	09/12/2013	2740696	13196187.2	
2741134	BOE Technology Group Co., Ltd.	06/12/2013	2741134	13196020.5	
2741917	R. R. Donnelley & Sons Company	10/08/2012	2741917	12748359.2	
2741973	S.C. Johnson & Son, Inc.	09/08/2012	2741973	12748114.1	
2742319	Leica Geosystems AG	31/07/2012	2742319	12740617.1	German
2742942	Unilever PLC	15/11/2013	2742942	13193158.6	
2743453	General Electric Company	12/12/2013	2743453	13196951.1	
2743477	Rolls-Royce plc	05/12/2013	2743477	13195848.0	
2743613	Whirlpool Corporation	27/11/2013	2743613	13194685.7	
2744906	Genomatica, Inc.	17/08/2012	2744906	12826412.4	
2747461	Amadeus S.A.S.	20/12/2012	2747461	12290450.1	
2747473	Huawei Technologies Co., Ltd.	28/06/2012	2747473	12839628.0	
2747568	Novozymes Bioag A/S Novozymes Biologicals, Inc.	24/09/2012	2747568	12769846.2	
2747829	Koninklijke Philips N.V.	29/11/2012	2747829	12816346.6	
2748817	Skype	29/09/2012	2748817	12784775.4	
2749391	SUMITOMO HEAVY INDUSTRIES, LTD.	23/12/2013	2749391	13199332.1	
2749548	Forgione, Debora	23/12/2013	2749548	13006007.2	
2749795	Mitsubishi Hitachi Power Systems, Ltd.	25/10/2012	2749795	12844359.5	
2750249	NEC Corporation	24/08/2012	2750249	12825436.4	
2750472	Sony Corporation	08/08/2012	2750472	12827022.0	
2752152	Yang, Song	15/06/2012	2752152	12827616.9	

4090	(No. 2387)	Patents Office Journal	(12/06/2019)		
2753207	NIKE Innovate C.V.	31/08/2012	2753207	12830448.2	
2754670	ICB International, Inc.	13/06/2013	2754670	13171872.8	
2755033	Hamilton Bonaduz AG	08/01/2014	2755033	14150467.0	German
2755231	Tamura Corporation	02/08/2012	2755231	12829259.6	
2755576	Teleflex Medical Incorporated	14/09/2012	2755576	12762181.1	
2755662	UNIVERSITE DE MONTREAL	13/09/2012	2755662	12832430.8	
2756671	Intel Corporation	12/09/2011	2756671	11872364.2	
2756885	Sharp Life Science (EU) Limited	07/01/2014	2756885	14000044.9	
2757500	Hosiden Corporation	10/01/2014	2757500	14150783.0	
2757688	HS Elektronik Systeme GmbH	18/01/2013	2757688	13151860.7	
2759518	MKS-DEVO Kimyevi Mad. San. Tic. A.S.	24/01/2013	2759518	13152560.2	
2759551	Fujirebio Inc.	04/07/2012	2759551	12833103.0	
2759906	NEC Corporation	10/09/2012	2759906	12833100.6	
2760791	Dynatec Engineering AS	25/09/2012	2760791	12835547.6	
2761167	Innolith Assets AG	26/09/2012	2761167	12762297.5	
2761168	Innolith Assets AG	26/09/2012	2761168	12766077.7	
2761704	Yazaki Corporation	27/09/2012	2761704	12790978.6	
2762278	Panasonic Intellectual Property Management Co., Ltd.	29/01/2014	2762278	14153030.3	
2762358	ZKW Group GmbH	13/01/2014	2762358	14150927.3	German
2762562	NGK Insulators, Ltd.	14/09/2012	2762562	12832061.1	
2762575	Wollsdorf Leder Schmidt & Co. Ges.m.b.H.	01/02/2013	2762575	13153581.7	German
2762584	JFE Steel Corporation	27/09/2012	2762584	12835898.3	
2763443	Ruckus Wireless, Inc.	01/12/2006	2763443	14163071.5	
2764617	Centre National de la Recherche Scientifique (C.N.R.S.) Université de Franche-Comté Centre National d'Etudes Spatiales ECOLE NATIONALE SUPERIEURE DE MECANIQUE ET DES MICROTECHNIQUES	05/10/2012	2764617	12769100.4	French
2765383	Mitsubishi Electric Corporation	30/01/2012	2765383	12835922.1	
2766142	Bourn & Koch, Inc.	10/10/2012	2766142	12839631.4	
2766209	Volkswagen Aktiengesellschaft	09/10/2012	2766209	12783502.3	German
2767025	Telefonaktiebolaget LM Ericsson (publ)	19/09/2012	2767025	12766040.5	
2767141	Aurora3M+ d.o.o.	12/10/2012	2767141	12773229.5	

2768198	Samsung Electronics Co., Ltd.	15/10/2012	2768198	12840497.7	
2768294	Mektec Europe GmbH	30/09/2013	2768294	13004726.9	German
2768381	Tissot Medical Research SA	19/10/2012	2768381	12780637.0	
2768523	Endo Global Ventures	19/10/2012	2768523	12842537.8	
2769214	Hewlett-Packard Development Company, L.P.	18/10/2011	2769214	11874315.2	
2769568	Samsung Electronics Co., Ltd.	18/10/2012	2769568	12842219.3	
2770833	Vink Chemicals GmbH & Co KG	02/02/2012	2770833	12701913.1	
2771190	Hewlett-Packard Development Company, L.P.	28/10/2011	2771190	11874607.2	
2771364	Genmab A/S	26/10/2012	2771364	12783931.4	
2771494	H.C. Starck Tungsten GmbH	26/10/2012	2771494	12779053.3	German
2772112	Qualcomm Incorporated	22/10/2012	2772112	12787230.7	
2772853	Huawei Technologies Co., Ltd.	31/10/2011	2772853	11867473.8	
2773021	Mitsubishi Electric Corporation	24/10/2011	2773021	11874480.4	
2773595	Corning Incorporated	30/10/2012	2773595	12791348.1	
2773743	Bio-Rad Laboratories, Inc. Technion Research & Development Foundation Ltd.	05/11/2012	2773743	12845192.9	
2774002	E. I. du Pont de Nemours and Company	02/11/2012	2774002	12783843.1	
2774380	Intuitive Surgical Operations, Inc. Imperial Innovations Ltd	29/10/2012	2774380	12846020.1	
2774513	RÖSSLE & WANNER GMBH	06/03/2014	2774513	14157992.0	German
2774632	Jian, Jiqi	22/12/2011	2774632	11874872.2	
2775631	Funai Electric Co., Ltd.	04/03/2014	2775631	14157573.8	
2775707	Saturn Licensing LLC	29/10/2012	2775707	12845976.5	
2775985	Roll Recovery, LLC	06/11/2012	2775985	12848115.7	
2776324	Störtebeker Braumanufaktur GmbH	08/11/2012	2776324	12790415.9	German
2776719	TOYOTA JIDOSHA KABUSHIKI KAISHA DENSO CORPORATION	06/11/2012	2776719	12806106.6	
2776799	IMEC VZW	30/10/2012	2776799	12788155.5	
2776943	The MathWorks, Inc.	02/11/2012	2776943	12788693.5	
2777610	Cook Medical Technologies LLC	11/03/2014	2777610	14275054.6	
2778400	GE Infrastructure Technology, LLC	12/03/2014	2778400	14159295.6	
2779305	VeriFone, Inc.	16/01/2014	2779305	14151464.6	
2779388	Yamaha Hatsudoki Kabushiki Kaisha	09/10/2012	2779388	12846037.5	

4092	(No. 2387)	Patents Office Journal	(12/06/2019)		
2779655	Dolby Laboratories Licensing Corporation	03/01/2011	2779655	14164418.7	
2779868	Buttonfix Limited	09/11/2012	2779868	12809301.0	
2781162	KARIS	12/03/2014	2781162	14159069.5	French
2781834	MITSUBISHI HEAVY INDUSTRIES, Ltd.	31/10/2012	2781834	12848949.9	
2781905	Fraunhofer-Gesellschaft zur Förderung der angewandten Forschung e.V.	24/01/2014	2781905	14152470.2	German
2782134	Kabushiki Kaisha Toshiba	17/02/2014	2782134	14155483.2	
2782802	Gustav Magenwirth GmbH & Co. KG	21/11/2012	2782802	12788540.8	German
2782906	Celanese Sales Germany GmbH	23/11/2012	2782906	12788601.8	
2783233	Continental Teves AG & Co. OHG	21/11/2012	2783233	12797804.7	German
2783682	Boehringer Ingelheim Vetmedica GmbH	01/03/2005	2783682	14171534.2	
2784166	Sumitomo Metal Mining Co., Ltd.	19/11/2012	2784166	12851102.9	
2785480	Sintokogio, Ltd. TOYOTA JIDOSHA KABUSHIKI KAISHA	27/11/2012	2785480	12806123.1	
2785491	Lufthansa Technik AG	28/11/2012	2785491	12797709.8	German
2786743	Evonik Degussa GmbH	07/03/2014	2786743	14158263.5	German
2786783	Fallsafe Limited	13/05/2005	2786783	13184840.0	
2787078	Chugai Seiyaku Kabushiki Kaisha	31/10/2012	2787078	12846665.3	
2787397	Kyocera Document Solutions Inc.	31/03/2014	2787397	14162846.1	
2787633	JTEKT CORPORATION	01/04/2014	2787633	14162992.3	
2788234	Continental Teves AG & Co. OHG	16/08/2012	2788234	12746368.5	German
2788476	Fred Hutchinson Cancer Research Center Novartis AG	07/12/2012	2788476	12806795.6	
2788738	Sumitomo SHI FW Energia Oy VALMET AUTOMATION OY	22/11/2012	2788738	12855987.9	
2788938	Amazon Technologies, Inc.	04/12/2012	2788938	12855577.8	
2789126	Telefonaktiebolaget LM Ericsson (publ)	30/11/2012	2789126	12813125.7	
2789128	Cisco Technology, Inc.	07/12/2012	2789128	12855521.6	
2789134	ASSIA SPE, LLC	05/12/2011	2789134	11802826.5	
2789995	Honeywell International Inc.	27/03/2014	2789995	14162021.1	
2790480	Vacon Oy	21/03/2014	2790480	14161003.0	
2790921	HP Scitex Ltd	14/12/2011	2790921	11805617.5	
2792095	Qualcomm Incorporated	10/12/2012	2792095	12810470.0	

2793302	LG Chem, Ltd.	17/01/2014	2793302	14733952.7	
2794204	Edgewell Personal Care Brands, LLC	17/12/2012	2794204	12814072.0	
2794510	Imertech	19/12/2012	2794510	12816735.0	French
2794654	Janssen Biotech, Inc.	19/12/2012	2794654	12859920.6	
2794811	Akzo Nobel Chemicals International B.V.	20/12/2012	2794811	12812946.7	
2794850	Evonik Degussa GmbH	14/12/2012	2794850	12812555.6	
2794896	Xyleco, Inc.	20/12/2012	2794896	12821350.1	
2795145	Schneeberger Holding AG	21/12/2012	2795145	12818987.5	German
2796089	Fujifilm Corporation	11/12/2012	2796089	12860481.6	
2796375	Shanghai Yamato Scale Co., Ltd	12/11/2012	2796375	12866997.5	
2796453	Amino Up Chemical Co., Ltd.	20/12/2012	2796453	12860350.3	
2796600	Kolon Industries, Inc.	21/12/2012	2796600	12858851.4	
2797008	CASIO COMPUTER CO., LTD.	03/04/2014	2797008	14163394.1	
2797195	Obschestvo S Ogranichennoi Otvetstvennostyu Finansovo- Promyshlennaya Kompaniya "Kosmos- Neft-Gaz"	10/08/2012	2797195	12860988.0	
2797396	KUKA Deutschland GmbH	15/04/2014	2797396	14164748.7	German
2797658	Custom Medical Applications, Inc.	28/12/2011	2797658	11878776.1	
2798724	Haga, Hidehiro Aono, Masato Hattori, Takashi Nidec Corporation	21/12/2012	2798724	12861723.0	
2798764	Nokia Technologies Oy	30/12/2011	2798764	11878808.2	
2799782	Dongbu Daewoo Electronics Corporation	22/11/2013	2799782	13194105.6	
2799857	Lifescan Scotland Limited	29/04/2014	2799857	14166463.1	
2799928	Toray Industries, Inc.	21/12/2012	2799928	12861162.1	
2799978	Konica Minolta, Inc.	23/04/2014	2799978	14165605.8	
2800575	NoNO Inc.	13/12/2012	2800575	12857611.3	
2800640	Stolle Machinery Company, LLC	07/01/2013	2800640	13733593.1	
2800846	James Hardie Technology Limited	20/12/2012	2800846	12808382.1	
2800959	Provost, Dan	02/09/2011	2800959	11795003.0	
2801020	Microsoft Technology Licensing, LLC	05/01/2013	2801020	13733917.2	
2801176	TTTech Computertechnik AG	19/04/2013	2801176	13724151.9	German
2801348	Hayashibara Co., Ltd.	12/12/2012	2801348	12856621.3	
2801950	Fuji Xerox Co., Ltd.	04/07/2012	2801950	12864205.5	

4094	(No. 2387)	Patents Office Journal	(12/06/2019)		
2802177	Fujitsu Limited	06/01/2012	2802177	12864614.8	
2802533	UOP LLC	13/12/2012	2802533	12860456.8	
2802537	BL Technologies, Inc.	20/12/2012	2802537	12812485.6	
2802939	Lexmark International, Inc.	11/01/2013	2802939	13735627.5	
2803344	Obshchestvo S Ogranichennoy Otvetstvennostyu "Krisaf"	15/10/2012	2803344	12864947.2	
2803613	Kone Corporation	20/11/2008	2803613	14180489.8	
2804080	Elo Touch Solutions, Inc.	23/04/2008	2804080	14178896.8	
2804539	Boston Scientific Scimed, Inc.	11/01/2013	2804539	13735794.3	
2805415	Samsung Electronics Co., Ltd.	04/06/2012	2805415	12866165.9	
2806940	International Scientific PTY Ltd	24/01/2013	2806940	13740749.0	
2807062	Halwes, Dennis, Ray	23/01/2013	2807062	13740603.9	
2807292	Tecan Genomics, Inc.	25/01/2013	2807292	13740653.4	
2807875	BlackBerry Limited	11/01/2013	2807875	13740650.0	
2808586	Elcam Medical Agricultural Cooperative Association Ltd.	29/08/2005	2808586	14177670.8	
2809930	United Technologies Corporation	28/01/2013	2809930	13778961.6	
2810529	Nokia Technologies Oy	03/02/2012	2810529	12867320.9	
2810532	Signify Holding B.V.	18/01/2013	2810532	13707716.0	
2810677	ResMed Limited	23/04/2003	2810677	14168092.6	
2811644	Mitsubishi Electric Corporation	30/01/2013	2811644	13743139.1	
2811888	Bradshaw International, Inc.	11/02/2013	2811888	13746750.2	
2812439	Annikki GmbH	06/02/2013	2812439	13703568.9	German
2812727	Oxford University Innovation Limited	08/02/2013	2812727	13710520.1	
2812946	Sew-Eurodrive GmbH & Co. KG	14/01/2013	2812946	13700845.4	German
2813362	Flexopack S.A.	13/06/2014	2813362	14172313.0	
2813742	DILO Armaturen und Anlagen GmbH	28/02/2014	2813742	14157330.3	German
2814552	Green Cross Medico Limited	11/02/2013	2814552	13705241.1	
2814900	Halliburton Energy Services, Inc.	05/02/2013	2814900	13705068.8	
2816047	AGC Inc.	07/02/2013	2816047	13749533.9	
2816327	Yokogawa Electric Corporation	13/06/2014	2816327	14172298.3	
2816863	Huawei Technologies Co., Ltd.	07/03/2013	2816863	13757311.9	
2818112	Samsung Electronics Co., Ltd.	25/06/2014	2818112	14173868.2	
2818195	Air Liquide Medical Systems	27/06/2013	2818195	13173924.5	
2818452	Sumitomo Metal Mining Co., Ltd.	22/02/2013	2818452	13751304.0	
2818482	Toray Industries, Inc.	21/02/2013	2818482	13751278.6	
2818940	Kyocera Document Solutions Inc.	25/04/2014	2818940	14165933.4	
2819156	General Electric Company	27/06/2014	2819156	14174706.3	

2819569	Koninklijke Philips N.V.	21/02/2013	2819569	13716412.5	
2819602	Biosense Webster (Israel) Ltd.	01/03/2013	2819602	13708637.7	
2819699	Bayer New Zealand Limited	27/02/2013	2819699	13755420.0	
2820279	United Technologies Corporation	16/02/2013	2820279	13784980.8	
2820448	Thalhammer, Stefan	15/02/2013	2820448	13705915.0	German
2820991	V.Brøndum A/S	02/07/2014	2820991	14175426.7	
2821096	Toppan Printing Co., Ltd.	01/02/2013	2821096	13755630.4	
2821720	EvoSwitch IP B.V.	05/07/2013	2821720	13175385.7	
2821850	Mitsubishi Electric Corporation	26/02/2013	2821850	13755468.9	
2821931	Precise Biometrics AB	01/07/2014	2821931	14175310.3	
2822030	BOE Technology Group Co., Ltd.	21/11/2012	2822030	12844653.1	
2822428	Unovo, LLC	11/03/2013	2822428	13758469.4	
	Alipour, Ehsan				
	Strecker, Joseph, Benjamin				
	Moinzadeh, Farshad				
2822726	LIBURDI ENGINEERING LIMITED	05/12/2012	2822726	12889603.2	
2823308	Invisible Sentinel, Inc.	07/03/2013	2823308	13758127.8	
2823463	Cydar Limited	01/03/2013	2823463	13709509.7	
2823533	Canon Kabushiki Kaisha	12/02/2013	2823533	13711977.2	
2823797	Airbus Operations GmbH	09/07/2013	2823797	13175757.7	
2824114	Toray Industries, Inc.	21/02/2013	2824114	13751164.8	
2824365	NTN Corporation	05/09/2011	2824365	14003261.6	
2825030	GEA Farm Technologies GmbH	14/03/2013	2825030	13709138.5	German
2825298	Kraton Polymers U.S. LLC	07/03/2013	2825298	13760333.8	
2825840	Koninklijke Philips N.V.	11/03/2013	2825840	13718228.3	
2825850	Strava, Inc.	08/03/2013	2825850	13760859.2	
2825860	Oxsensis Limited	13/03/2013	2825860	13711733.9	
2826450	The Procter & Gamble Company	07/04/2006	2826450	14178000.7	
2827196	Ricoh Company, Ltd.	14/07/2014	2827196	14176967.9	
2827254	Kyocera Document Solutions Inc.	20/02/2013	2827254	13761440.0	
2827285	Xeikon Manufacturing NV	15/07/2013	2827285	13176488.8	
2828117	Jaguar Land Rover Limited	21/03/2013	2828117	13710874.2	
2830143	Mitsubishi Chemical Corporation	15/03/2013	2830143	13765069.3	
2830708	Koninklijke Philips N.V.	26/03/2013	2830708	13723552.9	
2833094	Thales	31/07/2014	2833094	14179391.9	French
2834236	Lupin Limited	11/03/2013	2834236	13711973.1	
2834714	Rubicon Research Pty Ltd.	05/04/2013	2834714	13771881.3	
	The University of Melbourne				

4096	(No. 2387)	<i>Patents Office Journal</i>		(12/06/2019)	
2835395	Buergofol GmbH	11/08/2014	2835395	14180540.8	German
2835746	LG Electronics Inc.	31/01/2014	2835746	14000371.6	
2835935	Huawei Technologies Co., Ltd.	18/03/2013	2835935	13780976.0	
2836141	Ethicon LLC	05/04/2013	2836141	13716935.5	
2836264	ResMed Limited	12/04/2013	2836264	13775522.9	
2836471	Verallia France	11/04/2013	2836471	13720471.5	French
2836609	Enviroligix Inc. Shaffer, Daniel Judice, Stephen A.	09/04/2013	2836609	13775206.9	
2836706	KK Wind Solutions A/S	11/04/2012	2836706	12718895.1	
2837652	Amorepacific Corporation	12/04/2013	2837652	13775492.5	
2837736	Sigma Alimentos, S. A. De C. V.	12/04/2013	2837736	13775835.5	
2837984	UPTIME HOLDING GMBH	05/08/2014	2837984	14179842.1	
2838199	Commissariat à l'Énergie Atomique et aux Énergies Alternatives	12/08/2014	2838199	14180654.7	French
2838260	JVC KENWOOD Corporation	12/04/2013	2838260	13775455.2	
2838500	The Procter & Gamble Company	18/04/2013	2838500	13719673.9	
2838857	Sibelco UK Limited	10/04/2013	2838857	13717831.5	
2838907	OHR Pharmaceutical, Inc.	19/04/2013	2838907	13721176.9	
2838924	PolyPlexx, LLC	12/02/2013	2838924	13714726.0	
2838964	Arkema, Inc.	02/04/2013	2838964	13777889.0	
2839825	Mitsubishi Pencil Company, Limited	26/02/2013	2839825	13754073.8	
2840878	FUJI Corporation	18/04/2012	2840878	12874580.9	
2841664	Bacacier 3 S	26/04/2013	2841664	13721620.6	French
2842668	Sumitomo Electric Hardmetal Corp.	09/04/2013	2842668	13780604.8	
2843163	dormakaba Deutschland GmbH	19/08/2014	2843163	14002882.0	German
2843503	Fujitsu Client Computing Limited	15/07/2014	2843503	14177175.8	
2843631	Kabushiki Kaisha Toshiba	18/08/2014	2843631	14181322.0	
2845169	Phase Focus Limited	03/05/2013	2845169	13722010.9	
2846354	Diftek Lasers, Inc.	27/08/2014	2846354	14182511.7	
2848600	ETEX SERVICES NV	13/09/2013	2848600	13184402.9	
2848864	Doosan Heavy Industries & Construction Co., Ltd.	17/09/2014	2848864	14185149.3	
2849413	Netflix, Inc.	15/09/2014	2849413	14184823.4	
2849676	Boston Scientific Scimed, Inc.	11/04/2013	2849676	13718963.5	
2851588	ITT Manufacturing Enterprises LLC	22/09/2014	2851588	14003269.9	
2852998	Toyota Jidosha Kabushiki Kaisha	14/08/2013	2852998	13783658.1	
2853302	SYSMEX CORPORATION	28/08/2014	2853302	14182643.8	

2853933	Carl Zeiss Meditec AG	16/09/2014	2853933	14184905.9	German
2853951	Canon Kabushiki Kaisha	26/09/2014	2853951	14186517.0	
2856209	LANDAUER, INC.	31/05/2013	2856209	13796895.4	
2856255	Chapman/Leonard Studio Equipment, Inc.	24/05/2013	2856255	13800332.2	
2856617	Baumüller Nürnberg GmbH	24/05/2012	2856617	12727592.3	German
2857265	Clarion Co., Ltd.	31/05/2013	2857265	13796862.4	
2858160	Hamilton Sundstrand Corporation	02/10/2014	2858160	14187400.8	
2858445	Huawei Technologies Co., Ltd.	11/06/2010	2858445	14192178.3	
2858853	Cochet	11/06/2013	2858853	13727903.0	French
2859665	QUALCOMM Incorporated	12/06/2013	2859665	13733160.9	
2859719	Supponor Oy	12/06/2013	2859719	13727953.5	
2859789	Saipem S.p.A.	10/10/2014	2859789	14188549.1	
2860312	Valmet Technologies, Inc.	08/10/2013	2860312	13187694.8	
2860963	Sony Interactive Entertainment Inc.	11/06/2012	2860963	12878668.8	
2861428	BASF SE	10/06/2013	2861428	13727624.2	
2861988	The Whitehead Institute for Biomedical Research Dana-Farber Cancer Institute, Inc.	14/06/2013	2861988	13737006.0	
2862668	Andreas Maier GmbH & Co. KG	05/11/2013	2862668	14197249.7	German
2864461	Ecolab USA Inc.	19/06/2013	2864461	13807799.5	
2865327	Seiko Instruments Inc.	15/10/2014	2865327	14189074.9	
2865361	Mati Therapeutics Inc.	05/09/2008	2865361	14192229.4	
2865570	Hyundai Motor Company Kia Motors Corporation	19/06/2013	2865570	13806455.5	
2866400	Tsinghua University	06/06/2013	2866400	13800415.5	
2866834	University of Central Florida Research Foundation, Inc.	28/06/2013	2866834	13809630.0	
2867037	Continental Reifen Deutschland GmbH	06/06/2013	2867037	13727159.9	German
2867530	Schaeffler Technologies AG & Co. KG	23/05/2013	2867530	13725342.3	German
2867733	HP Indigo B.V.	27/06/2012	2867733	12732614.8	
2868629	China Petroleum & Chemical Corporation Research Institute Of Petroleum ProcessingSinopec	27/06/2013	2868629	13810624.0	
2868762	JFE Steel Corporation	27/06/2012	2868762	12879635.6	
2868839	The Boeing Company	05/11/2014	2868839	14191933.2	
2869073	Dialog Semiconductor GmbH	30/10/2013	2869073	13190864.2	

4098	(No. 2387)	<i>Patents Office Journal</i>		(12/06/2019)	
2869571	Samsung Electronics Co., Ltd.	18/03/2014	2869571	14160582.4	
2869686	Bayer Cropscience Inc	09/07/2012	2869686	12880924.1	
2869952	Tenneco Inc.	02/07/2013	2869952	13737950.9	
2870016	C.R.F. Società Consortile per Azioni	05/07/2013	2870016	13762270.0	
2870735	Telefonaktiebolaget LM Ericsson (publ)	06/07/2012	2870735	12880362.4	
2870771	ARRIS Enterprises LLC	05/07/2013	2870771	13737968.1	
2871647	ABB Schweiz AG	15/10/2014	2871647	14003535.3	German
2871786	ZTE Corporation	13/08/2013	2871786	13829499.6	
2871864	GN Hearing A/S	12/11/2013	2871864	13192513.3	
2871928	Minelli Elettromeccanica	10/07/2013	2871928	13765479.4	
2873161	Telefonaktiebolaget LM Ericsson (publ)	12/06/2013	2873161	13748371.5	
2874160	Uchiyama Manufacturing Corp.	10/11/2014	2874160	14192453.0	
2874205	Yazaki North America, Inc.	12/11/2014	2874205	14192828.3	
2874694	Cyberonics, Inc.	12/07/2013	2874694	13741950.3	
2874850	Purple Line Limited	19/07/2013	2874850	13750910.5	
2875435	Canon Kabushiki Kaisha	11/07/2013	2875435	13820650.3	
2875915	Koninklijke Philips N.V.	22/11/2013	2875915	13193972.0	
2875975	Weber-Hydraulik GmbH	22/11/2014	2875975	14194415.7	German
2877685	FMC Kongsberg Subsea AS	18/04/2013	2877685	13717504.8	
2877933	Google LLC	24/07/2013	2877933	13823385.3	
2878368	UMICORE AG & CO. KG	29/11/2013	2878368	13195132.9	
2878503	Airbus Operations Limited	27/11/2014	2878503	14195206.9	
2878528	Kuhn, Andreas Kuhn, Birgit	27/11/2014	2878528	14450050.1	German
2878638	LG Chem, Ltd.	29/07/2013	2878638	13823623.7	
2878695	JFE Steel Corporation JFE Bars & Shapes Corporation	22/07/2013	2878695	13823507.2	
2878778	Toyota Jidosha Kabushiki Kaisha	27/07/2012	2878778	12881947.1	
2879124	Samsung Display Co., Ltd.	20/11/2014	2879124	14194094.0	
2879187	BOE Technology Group Co., Ltd.	08/11/2012	2879187	12867720.0	
2879306	LG Electronics Inc.	26/07/2013	2879306	13822699.8	
2879546	L'OREAL	29/07/2013	2879546	13744501.1	
2879550	Harting Systems GmbH	30/07/2013	2879550	13759429.7	German
2880750	Brose Fahrzeugteile GmbH & Co. Kommanditgesellschaft, Würzburg	11/07/2013	2880750	13747967.1	German
2880960	Samsung Electronics Co., Ltd.	06/08/2013	2880960	13827634.0	
2881061	Olympus Corporation	19/07/2013	2881061	13825932.0	
2881066	KUKA Deutschland GmbH	25/04/2013	2881066	14004405.8	German

2881875	Micrel Medical Devices S.A.	03/12/2014	2881875	14196141.7	
2883276	CommScope Technologies LLC	25/06/2014	2883276	14740095.6	
2884206	Linde Aktiengesellschaft	14/08/2014	2884206	14181101.8	
2884761	Alcatel Lucent	11/12/2013	2884761	13306699.3	
2885261	Koch Agronomic Services, LLC	15/08/2013	2885261	13829263.6	
2886675	CRS Holdings, Inc.	19/12/2014	2886675	14199446.7	
2886970	Mitsubishi Electric Corporation	05/11/2014	2886970	14191953.0	
2887020	ROBERT BOSCH GMBH	25/09/2014	2887020	14186406.6	German
2887657	Thales	27/11/2014	2887657	14195079.0	French
2887846	Deasy, Matthew Joseph	21/08/2013	2887846	13766622.8	
2888206	Outotec (Finland) Oy	22/08/2013	2888206	13833295.2	
2888725	Connect-in Ltd	22/08/2013	2888725	13765389.5	
2889197	Autoliv Nissin Brake Systems Japan Co., Ltd.	19/12/2014	2889197	14199234.7	
2889690	Canon Kabushiki Kaisha	16/12/2014	2889690	14198175.3	
2890080	BlackBerry Limited	16/12/2014	2890080	14198265.2	
2890665	Carver Scientific, Inc.	31/12/2012	2890665	12883727.5	
2890997	Reflex Imaging Limited	02/09/2013	2890997	13771165.1	
2891460	Covidien LP	18/12/2014	2891460	14199033.3	
2892158	Mitsubishi Electric Corporation	27/08/2013	2892158	13832457.9	
2892232	Clarion Co., Ltd.	18/07/2013	2892232	13834055.9	
2893061	Arizona Board of Regents, a Body Corporate of the State of Arizona acting for and on behalf of Arizona State University	05/09/2013	2893061	13834985.7	
2893742	Telefonaktiebolaget LM Ericsson (publ)	06/09/2012	2893742	12884047.7	
2893760	Huawei Technologies Co., Ltd.	20/08/2013	2893760	13834674.7	
2894062	TS Tech Co., Ltd.	03/09/2012	2894062	12883794.5	
2894781	Panasonic Intellectual Property Management Co., Ltd.	19/08/2013	2894781	13836150.6	
2894811	Deutsche Telekom AG	16/12/2014	2894811	14198205.8	German
2894855	NTT DoCoMo, Inc.	25/04/2003	2894855	15155943.2	
2895223	Maquet Critical Care AB	12/09/2013	2895223	13762474.8	
2896685	Hitachi, Ltd.	11/09/2012	2896685	12884600.3	
2896875	Shenzhen University	11/09/2013	2896875	13837609.0	
2897071	Medtronic MiniMed, Inc.	14/08/2013	2897071	15157703.8	
2897131	Heraeus Precious Metals North America Conshohocken LLC	16/01/2015	2897131	15151441.1	

4100	(No. 2387)	Patents Office Journal	(12/06/2019)			
2897503	Helbling Technik AG	16/09/2013	2897503	13762136.3	German	
2897835	Magnemotion, Inc.	18/09/2013	2897835	13839639.5		
2897902	Toray Industries, Inc.	22/09/2013	2897902	13839137.0		
2898150	Combi Wear Parts AB	12/09/2013	2898150	13838946.5		
2898246	Binder GmbH	24/09/2013	2898246	13770664.4	German	
2898958	Mitsubishi Heavy Industries, Ltd.	28/10/2013	2898958	13852311.3		
2900008	Huawei Technologies Co., Ltd.	15/10/2012	2900008	12886555.7		
2900045	Celeste	26/01/2015	2900045	15152540.9	French	
	Enia Architectes					
2900409	Rhodia Operations	27/09/2013	2900409	13842613.5		
2900436	BIC-Violex S.A.	26/09/2012	2900436	12768772.1		
2900932	United Technologies Corporation	19/02/2013	2900932	13841894.2		
2901162	Genethon	26/09/2013	2901162	13786523.4	French	
2901203	Google LLC	25/07/2013	2901203	13840224.3		
2901515	Cabot Corporation	27/09/2013	2901515	13773575.9		
2901589	Intel Corporation	19/09/2013	2901589	13842882.6		
2901590	Intel Corporation	17/09/2013	2901590	13842972.5		
2902077	Xi'an Westpeace Fire Technology Co., Ltd	18/09/2013	2902077	13842486.6		
2902104	Japan Science And Technology Agency	27/09/2013	2902104	13840660.8		
2902113	Lapp Engineering & Co.	02/02/2014	2902113	14153573.2	German	
2902917	LG Electronics Inc.	27/09/2013	2902917	13842868.5		
2903232	Sumitomo Electric Industries, Ltd.	22/08/2013	2903232	13840521.2		
2903691	F.HOFFMANN-LA ROCHE AG	04/10/2013	2903691	13844154.8		
2904033	SABIC Global Technologies B.V.	03/10/2013	2904033	13776689.5		
2904108	INSERM - Institut National de la Santé et de la Recherche Médicale UNIVERSITE DE MONTPELLIER Centre Hospitalier Universitaire de Montpellier	08/10/2013	2904108	13773791.2		
2904130	Lufthansa Technik AG	18/09/2013	2904130	13765705.2	German	
2904410	Sagemcom Energy & Telecom SAS	16/09/2013	2904410	13762156.1	French	
2904630	Intellec Limited	02/10/2013	2904630	13771580.1		
2904867	Sierra Wireless, Inc.	04/10/2013	2904867	13843386.7		
2905287	Bioapplications Inc.	25/09/2013	2905287	13843431.1		
2905602	LEONARDO S.P.A.	05/02/2015	2905602	15153892.3		
2905793	ASAHI KASEI KABUSHIKI KAISHA	30/09/2013	2905793	13843320.6		
2905801	TRUMPF Huettinger Sp. Z o. o.	07/02/2014	2905801	14461506.9		

2905802	TRUMPF Huettinger Sp. Z o. o.	07/02/2014	2905802	14461507.7	
2906472	Airbus Operations GmbH	10/10/2013	2906472	13776776.0	
2907172	The Regents of The University of Michigan	11/10/2013	2907172	13789067.9	
2907295	Qualcomm Incorporated	15/10/2013	2907295	13785711.6	
2908172	Jenner, Oliver	11/02/2015	2908172	15154712.2	German
2909230	Danisco US Inc.	18/10/2013	2909230	13789088.5	
2909331	Rapid Pathogen Screening Inc.	03/03/2014	2909331	14760721.2	
2909579	Leica Geosystems AG	15/10/2013	2909579	13776519.4	
2910072	BlackBerry Limited	02/10/2013	2910072	13779985.4	
2910900	Northrop Grumman Systems Corporation	18/02/2015	2910900	15155621.4	
2910980	Tsinghua University Nuctech Company Limited	18/12/2014	2910980	14275262.5	
2911308	Huawei Technologies Co., Ltd.	22/02/2014	2911308	14753619.7	
2911567	Pachanga Holdings, LLC	24/10/2013	2911567	13848379.7	
2911717	Insuline Medical Ltd.	22/10/2013	2911717	13849631.0	
2911750	Valorbec S.E.C.	25/10/2013	2911750	13849300.2	
2912747	TOYOTA JIDOSHA KABUSHIKI KAISHA	27/12/2013	2912747	13824345.6	
2913811	TOYOTA JIDOSHA KABUSHIKI KAISHA	26/10/2012	2913811	12887126.6	
2914200	University of Southern California	30/10/2013	2914200	13850778.5	
2914289	Takeda GmbH Amgen Research (Munich) GmbH	31/10/2013	2914289	13798260.9	
2914329	Given Imaging Ltd.	29/10/2013	2914329	13851116.7	
2914421	HBK Family, LLC	30/10/2013	2914421	13851187.8	
2915022	Audi AG	18/10/2013	2915022	13786625.7	German
2915103	Entrust Datacard Corporation	31/10/2013	2915103	13851984.8	
2915549	TriVascular, Inc.	28/03/2006	2915549	14182323.7	
2916031	Wölfel Beratende Ingenieure GmbH & Co. KG	06/03/2014	2916031	14157996.1	German
2916895	Biosurgical S.L.	07/11/2013	2916895	13789277.4	
2917290	ALLNEX AUSTRIA GmbH	06/11/2013	2917290	13788958.0	
2917687	SIKORA AG	09/10/2013	2917687	13774177.3	German
2917915	Nokia Technologies OY	23/10/2013	2917915	13853214.8	

4102	(No. 2387)	<i>Patents Office Journal</i>		(12/06/2019)	
2918339	Fushun Research Institute of Petroleum and Petrochemicals, Sinopec China Petroleum & Chemical Corporation	31/10/2013	2918339	13853150.4	
2918707	Rolls-Royce North American Technologies, Inc.	06/03/2015	2918707	15158123.8	
2919583	Dynamic Solutions Worldwide, LLC	29/08/2013	2919583	13854502.5	
2919875	Oceaneering International Inc.	08/11/2013	2919875	13853039.9	
2920010	Cooper Tire & Rubber Company	13/11/2013	2920010	13854320.2	
2920808	Ut-battelle, Llc Remaxco Technologies, LLC	19/11/2013	2920808	13795981.3	
2921081	TS Tech Co., Ltd.	15/11/2013	2921081	13854475.4	
2921323	NHK Spring Co., Ltd.	14/11/2013	2921323	13855147.8	
2921872	Mitsubishi Electric Corporation	06/11/2013	2921872	13855236.9	
2922358	Huawei Technologies Co., Ltd.	11/01/2012	2922358	15154145.5	
2922368	Goodrich Lighting Systems GmbH	18/03/2014	2922368	14160545.1	
2922541	TECNIMEDE-SOCIEDADE TECNICO-MEDICINAL, S.A.	20/11/2013	2922541	13811632.2	
2922600	Clisson, Laurent	21/11/2013	2922600	13808091.6	French
2922664	PSA Automobiles SA	20/11/2013	2922664	13803159.6	French
2922762	AptarGroup, Inc.	20/11/2012	2922762	12888668.6	
2922968	Epiontis GmbH	25/11/2013	2922968	13795265.1	
2923172	Hexagon Technology Center GmbH	20/11/2013	2923172	13792925.3	
2923927	HONDA MOTOR CO., LTD.	05/03/2015	2923927	15157819.2	
2924167	Matiere	25/03/2015	2924167	15160695.1	French
2924195	Hoppe AG	24/03/2015	2924195	15160643.1	German
2924247	United Technologies Corporation	25/03/2015	2924247	15160776.9	
2924303	Iwata Bolt Co., Ltd.	21/03/2013	2924303	13857368.8	
2924509	Kyocera Document Solutions Inc.	25/03/2015	2924509	15160810.6	
2924890	FUJITSU LIMITED	19/03/2015	2924890	15159911.5	
2925448	The Secretary of State for Environment, Food and Rural Affairs	03/12/2013	2925448	13817710.0	
2925617	SEDA INTERNATIONAL PACKAGING GROUP SPA	28/11/2013	2925617	13798939.8	
2925720	Chinoin Gyógyszer és Vegyszeti Termékek Gyára Zrt.	26/11/2013	2925720	13811611.6	
2926195	The University Of Birmingham	11/11/2013	2926195	13789892.0	
2926567	LG Electronics Inc.	27/11/2013	2926567	13858377.8	

2926679	Samsonite IP Holdings S.a.r.l	04/04/2014	2926679	14163518.5	
2926747	Phenox GmbH	22/08/2005	2926747	15161473.2	German
2926979	Matsuura Machinery Corporation	14/10/2014	2926979	14188719.0	
2927042	Volkswagen Aktiengesellschaft	11/03/2015	2927042	15158647.6	German
2927128	Thompson Aero Seating Limited	31/03/2015	2927128	15162108.3	
2927189	Krones AG	02/04/2015	2927189	15162344.4	German
2927299	Panasonic Intellectual Property Management Co., Ltd.	19/03/2015	2927299	15159769.7	
2927754	Brother Kogyo Kabushiki Kaisha	27/03/2015	2927754	15161221.5	
2927980	Sekisui Chemical Co., Ltd.	22/11/2013	2927980	13858364.6	
2928409	Exsomed Holding Company LLC	06/12/2013	2928409	13811723.9	
2929144	Schlumberger Technology B.V.	05/11/2013	2929144	13860663.7	
2929284	THALES	10/12/2013	2929284	13802627.3	French
2929971	FANUC CORPORATION	25/03/2015	2929971	15160862.7	
2930149	TOYOTA JIDOSHA KABUSHIKI KAISHA	14/11/2013	2930149	13859954.3	
2930214	Shin-Etsu Chemical Co., Ltd.	01/04/2015	2930214	15162124.0	
2930758	Maven Optronics International Limited	13/11/2009	2930758	15167769.7	
2930888	Alcatel Lucent	11/04/2014	2930888	14305535.8	
2931406	Umicore AG & Co. KG	06/12/2013	2931406	13801583.9	
2933256	Samyang Corporation	12/12/2013	2933256	13862769.0	
2933536	NOK Corporation	21/06/2013	2933536	13862367.3	
2933841	JTEKT CORPORATION	09/04/2015	2933841	15163002.7	
2933847	NGK Insulators, Ltd.	12/12/2013	2933847	13862186.7	
2933968	Qualcomm Incorporated	26/06/2010	2933968	15167956.0	
2933970	Mitsubishi Electric Corporation	18/11/2013	2933970	13862983.7	
2934029	MediaTek Inc.	23/03/2015	2934029	15160387.5	
2934917	Bridgestone Americas Tire Operations, LLC	09/12/2013	2934917	13864536.1	
2935213	Bayer CropScience Aktiengesellschaft	16/12/2013	2935213	13805381.4	
2935509	Quarzwerke GmbH	19/12/2013	2935509	13811530.8	German
2936252	Two Trees Photonics Ltd	20/12/2013	2936252	13812041.5	
2936440	Intel Corporation	19/12/2013	2936440	13868697.7	
2936747	Robert Bosch GmbH	19/12/2013	2936747	13814919.0	German
2936889	BlackBerry Limited	07/01/2014	2936889	14740212.7	
2937112	The Procter & Gamble Company	25/04/2014	2937112	14165920.1	
2938099	Funktion One Research	01/04/2015	2938099	15162134.9	

4104	(No. 2387)	Patents Office Journal	(12/06/2019)		
2938115	Datang Mobile Communications Equipment Co., Ltd.	30/07/2013	2938115	13863768.1	
2938202	Nestec S.A.	23/12/2013	2938202	13817688.8	
2938859	United Technologies Corporation	17/12/2013	2938859	13869381.7	
2938877	Healy, James W.	17/12/2013	2938877	13868216.6	
2940122	Yeditepe Universitesi	06/04/2015	2940122	15162520.9	
2940154	The Government of the United States of America as represented by the Secretary of the Department of Health and Human Services	22/05/2002	2940154	15150784.5	
2940451	Heinrich Bareiss Prüfgeräteeau GmbH	30/04/2014	2940451	14166735.2	German
2940591	Google LLC	31/05/2012	2940591	15169846.1	
2940684	Iflytek Co., Ltd.	20/12/2013	2940684	13869206.6	
2942414	JFE Steel Corporation	11/03/2014	2942414	14763386.1	
2943557	Aktiebolaget SKF	08/01/2014	2943557	14700251.3	
2943776	Max-Planck-Gesellschaft zur Förderung der Wissenschaften e.V.	09/01/2014	2943776	14700571.4	German
2943958	Fraunhofer-Gesellschaft zur Förderung der angewandten Forschung e.V. Technische Universität Ilmenau	14/01/2013	2943958	13701230.8	
2944035	Orange	09/01/2014	2944035	14703123.1	French
2944609	KMTR Co., Ltd.	18/11/2013	2944609	13870463.0	
2944674	Asahi Kasei Kabushiki Kaisha	06/01/2014	2944674	14737713.9	
2945564	Kometabio Inc.	14/01/2014	2945564	14740548.4	
2946094	United Technologies Corporation	16/01/2013	2946094	13871712.9	
2946926	FUJI Corporation	18/01/2013	2946926	13872072.7	
2947296	United Technologies Corporation	27/03/2015	2947296	15161313.0	
2947903	Cisco Technology, Inc.	24/03/2015	2947903	15160611.8	
2947943	Huawei Technologies Co., Ltd.	07/01/2014	2947943	14740502.1	
2948125	ICU Medical, Inc.	21/01/2014	2948125	14743275.1	
2948322	SAF-Holland, Inc.	21/01/2014	2948322	14743381.7	
2948472	Syddansk Universitet	22/01/2014	2948472	14743707.3	
2949142	Nokia Solutions and Networks Oy	05/11/2013	2949142	13872525.4	
2949190	Dot Hill Systems Corporation	23/01/2014	2949190	14703511.7	
2949251	Bissell Homecare, Inc.	27/02/2012	2949251	15172788.0	
2949701	Daikin Industries, Ltd.	15/01/2014	2949701	14743532.5	
2950190	Sumitomo Riko Company Limited	30/06/2014	2950190	14831907.2	
2950952	Aerojet Rocketdyne of DE, Inc.	31/05/2013	2950952	13873192.2	

2951025	Kaspar Papir Pte Ltd	16/12/2013	2951025	13821456.4	
2951203	Xencor, Inc.	17/03/2014	2951203	14733393.4	
2951204	Vaccinex, Inc.	31/01/2014	2951204	14704507.4	
2951426	Minesto AB	04/02/2013	2951426	13873238.3	
2951843	Instytut Niskich Temperatur i Badan Strukturalnych PAN im. Wlodzimierza Trzebiatowskiego	27/01/2014	2951843	14708702.7	
2951856	Hewlett-Packard Development Company, L.P.	29/01/2013	2951856	13873334.0	
2952252	Osaka University N.E. Chemcat Corporation	31/01/2014	2952252	14746478.8	
2952353	Brother Kogyo Kabushiki Kaisha	30/03/2011	2952353	15172994.4	
2952940	Murata Manufacturing Co., Ltd. Mitsui Chemicals, Inc.	24/01/2014	2952940	14746589.2	
2953190	Nippon Shokubai Co., Ltd.	30/01/2014	2953190	14745621.4	
2953277	ZTE Corporation	13/08/2013	2953277	13873801.8	
2953386	Huawei Technologies Co., Ltd.	08/03/2013	2953386	13877128.2	
2953456	Merck Sharp & Dohme Corp.	03/02/2014	2953456	14748737.5	
2954201	Voith Patent GmbH	29/01/2014	2954201	14702523.3	German
2954262	Siemens Aktiengesellschaft	07/02/2014	2954262	14705083.5	German
2954308	Schlumberger Technology B.V.	05/02/2014	2954308	14749191.4	
2955018	Toyobo Co., Ltd.	31/01/2014	2955018	14749514.7	
2955389	Parker Hannifin Manufacturing Finland OY	13/06/2014	2955389	14397522.5	
2955926	Alticast Corporation	25/06/2013	2955926	13874624.3	
2956358	Gulfstream Aerospace Corporation	10/02/2014	2956358	14751884.9	
2956571	Rohm and Haas Company	15/04/2014	2956571	14722964.5	
2956695	CBSG 3D FREIFORM GMBH	25/03/2014	2956695	14733315.7	German
2957675	Gebr. Sträb GmbH + Co.	21/11/2014	2957675	14194350.6	German
2958919	Boehringer Ingelheim International GmbH	21/02/2013	2958919	13705185.0	
2959148	Rolls-Royce North American Technologies, Inc.	16/12/2013	2959148	13866508.8	
2959573	Microchip Technology Incorporated	20/02/2014	2959573	14708421.4	
2959897	Kyoto University Nitro Pharmaceutical Industries, Ltd.	13/02/2014	2959897	14754333.4	
2959918	J-Pharma Co., Ltd.	07/06/2014	2959918	14809268.7	
2960545	K+G Pneumatik GmbH	11/06/2015	2960545	15001726.7	German

4106	(No. 2387)	Patents Office Journal	(12/06/2019)		
2960630	LG Electronics Inc.	09/01/2015	2960630	15150643.3	
2961541	Primetals Technologies Austria GmbH	17/02/2014	2961541	14705139.5	German
2961971	United Technologies Corporation	26/02/2014	2961971	14756466.0	
2962009	Piaggio&C. S.p.A.	26/02/2014	2962009	14708696.1	
2962036	BRAMAL LED INC.	21/01/2014	2962036	14743524.2	
2962145	Xieon Networks S.à r.l.	26/02/2013	2962145	13709792.9	
2964248	Water-Jel Europe LLP	06/03/2014	2964248	14714943.9	
2964532	Rolls-Royce Corporation	31/12/2013	2964532	13821650.2	
2965540	Fraunhofer-Gesellschaft zur Förderung der angewandten Forschung e.V.	23/10/2013	2965540	13788708.9	
2965613	CNH Industrial Belgium nv	07/07/2015	2965613	15175673.1	
2965730	Unicharm Corporation	19/02/2014	2965730	14760643.8	
2966207	La Navetta S.r.l.	16/12/2014	2966207	14198152.2	
2966711	IUCF-HYU (Industry-University Cooperation Foundation Hanyang University)	03/02/2014	2966711	14745653.7	
2966894	Huawei Technologies Co., Ltd.	06/01/2012	2966894	15174932.2	
2967219	SELECT COMFORT CORPORATION	10/03/2014	2967219	14716677.1	
2967404	Cameron Health, Inc.	10/03/2014	2967404	14714520.5	
2968631	Ecolab USA Inc.	03/03/2014	2968631	14773524.5	
2969165	ABBOTT LABORATORIES	27/12/2013	2969165	13821411.9	
2969631	Allison Transmission, Inc.	14/03/2014	2969631	14764577.4	
2969733	Seaflex Invest AB	19/03/2013	2969733	13765220.2	
2969793	Hewy Wine Chillers, LLC	11/03/2014	2969793	14780153.4	
2969991	Vitro, S.A.B. de C.V.	11/03/2014	2969991	14715767.1	
2970124	The Board of Trustees of the Leland Stanford Junior University	13/03/2014	2970124	14723925.5	
2970230	Boehringer Ingelheim International GmbH	12/03/2014	2970230	14709933.7	
2970591	PRC-Desoto International, Inc.	11/03/2014	2970591	14721041.3	
2971077	Sorbonne Université INSERM (Institut National de la Santé et de la Recherche Médicale) Université Paris Descartes Assistance Publique-Hôpitaux de Paris (APHP)	14/03/2014	2971077	14710259.4	
2971537	United Technologies Corporation	14/03/2014	2971537	14765779.5	
2971668	United Technologies Corporation	11/03/2014	2971668	14807114.5	

2971793	WHW Group, Inc.	14/03/2014	2971793	14763439.8	
2973468	Wiseman, Brian, M.	12/03/2014	2973468	14769683.5	
2973507	Illinois Tool Works Inc.	24/02/2014	2973507	14709130.0	
2973538	BAE SYSTEMS plc	07/03/2014	2973538	14712707.0	
2973597	Westinghouse Electric Company Llc	04/03/2014	2973597	14771171.7	
2974111	Microchip Technology Incorporated	13/03/2014	2974111	14714550.2	
2975333	The Yokohama Rubber Co., Ltd.	11/03/2014	2975333	14762321.9	
2975455	iPEK International GmbH	15/06/2015	2975455	15172188.3	German
2975620	Sanyo Chemical Industries, Ltd.	03/03/2014	2975620	14763901.7	
2976725	Viavi Solutions UK Limited	21/03/2014	2976725	14711538.0	
2976867	Telefonaktiebolaget LM Ericsson (publ)	22/03/2013	2976867	13711428.6	
2977123	Hitachi Metals, Ltd.	18/03/2014	2977123	14769789.0	
2977935	NHK Spring Co., Ltd.	12/03/2014	2977935	14769655.3	
2978549	BASF SE	26/03/2014	2978549	14712672.6	
2978621	Scania CV AB (publ)	20/03/2014	2978621	14773899.1	
2978624	Scania CV AB	20/03/2014	2978624	14776471.6	
2978708	FMC Technologies	28/03/2014	2978708	14718768.6	
2978891	Universidade do Minho	27/03/2013	2978891	13716466.1	
2979154	LG Electronics Inc.	26/11/2013	2979154	13879699.0	
2979265	Bose Corporation	28/02/2014	2979265	14709519.4	
2979300	Soitec	26/03/2014	2979300	14713102.3	
	Fraunhofer Gesellschaft zur Förderung der angewandten Forschung e.V.				
2979462	Mobileum Inc.	28/03/2014	2979462	14775777.7	
2979889	Mitsui Chemicals, Inc.	27/03/2014	2979889	14775395.8	
2980405	Poclairn Hydraulics Industrie	29/07/2015	2980405	15178761.1	French
2981138	FUJITSU LIMITED	25/03/2013	2981138	13879881.4	
2981387	LIMO GmbH	13/03/2014	2981387	14709709.1	German
2981621	Life Technologies Corporation	03/04/2014	2981621	14722494.3	
2982031	Raytheon Company	02/04/2014	2982031	14789903.3	
2982255	JT International SA	23/08/2011	2982255	15171948.1	
2982346	Terumo Kabushiki Kaisha	01/04/2013	2982346	13880916.5	
2983040	LG Display Co., Ltd.	22/07/2015	2983040	15177875.0	
2983041	Mitsumi Electric Co., Ltd.	12/08/2010	2983041	15168350.5	
2983137	Sony Corporation	10/03/2014	2983137	14778137.1	
2983611	Biomet 3i, LLC	09/04/2014	2983611	14783499.8	
2983743	SANOFI	08/04/2014	2983743	14718939.3	
2983752	SANOFI	08/04/2014	2983752	14715617.8	

4108	(No. 2387)	<i>Patents Office Journal</i>		(12/06/2019)	
2983753	SANOFI	08/04/2014	2983753	14715619.4	
2983893	Tetra Laval Holdings & Finance SA	08/04/2014	2983893	14716555.9	
2984105	Danisco US Inc. The Goodyear Tire & Rubber Company	10/04/2014	2984105	14727659.6	
2984396	ZKW Group GmbH	07/04/2014	2984396	14723675.6	German
2984477	Rosemount Inc.	28/03/2014	2984477	14774477.5	
2985028	MIZ Co., Ltd.	13/03/2015	2985028	15760863.9	
2985136	Sumitomo Rubber Industries, Ltd.	11/08/2015	2985136	15180548.8	
2985319	Fujita, Masanori	18/03/2014	2985319	14782962.6	
2985660	Montres Tudor S.A.	14/08/2014	2985660	14180913.7	French
2985675	Samsung Electronics Co., Ltd.	13/08/2015	2985675	15180868.0	
2985937	ARM Limited	29/06/2015	2985937	15174242.6	
2986244	Venus Concept Ltd	13/04/2014	2986244	14784768.5	
2986268	Dance Biopharm Inc.	16/04/2014	2986268	14785659.5	
2986518	SA des Eaux Minérales d'Evian SAEME Compagnie Gervais Danone	10/04/2014	2986518	14716360.4	
2986918	H.B.N. AGENCIES	11/04/2014	2986918	14747417.5	
2986941	TomTom Navigation B.V.	17/04/2014	2986941	14718119.2	
2986983	Laboratoires Expanscience	22/04/2014	2986983	14718599.5	French
2987455	Cook Medical Technologies LLC	07/08/2015	2987455	15180264.2	
2987641	Konica Minolta, Inc.	15/04/2014	2987641	14785739.5	
2987653	The Yokohama Rubber Co., Ltd.	09/04/2014	2987653	14784904.6	
2987654	The Yokohama Rubber Co., Ltd.	01/04/2014	2987654	14785807.0	
2987955	Mitsubishi Hitachi Power Systems, Ltd.	24/02/2011	2987955	15181429.0	
2988463	Nokia Technologies Oy	04/08/2015	2988463	15179631.5	
2988587	AGCO International GmbH	27/03/2014	2988587	14713461.3	
2988639	Essity Hygiene and Health Aktiebolag	22/04/2013	2988639	13883325.6	
2988708	Mueller Sports Medicine, Inc.	23/04/2014	2988708	14788726.9	
2988782	Giuliani S.p.A.	22/04/2014	2988782	14731011.4	
2989170	Arkema France	10/04/2014	2989170	14720674.2	French
2989736	SubCom, LLC Subsea Communications Australia Pty Ltd	16/04/2014	2989736	14726045.9	
2989912	Fontem Holdings 1 B.V.	01/09/2014	2989912	14183073.7	
2990892	dSPACE digital signal processing and control engineering GmbH	01/09/2014	2990892	14183024.0	German
2991233	NXP B.V.	18/08/2015	2991233	15181370.6	

2991577	3M Innovative Properties Company	28/04/2014	2991577	14727675.2	
2992624	Qualcomm Incorporated	30/04/2014	2992624	14726869.2	
2992881	LG Chem, Ltd.	25/03/2014	2992881	14776253.8	
2993187	Daiichi Sankyo Europe GmbH Amgen Inc.	29/12/2006	2993187	15181115.5	
2993265	Zuercher Holding GmbH	02/09/2015	2993265	15002576.5	German
2993303	United Technologies Corporation	03/09/2015	2993303	15183638.4	
2993462	Personal Genomics, Inc.	11/08/2015	2993462	15180592.6	
2993809	Huawei Technologies Co., Ltd.	25/08/2015	2993809	15182256.6	
2993847	THALES Centre National d'Etudes Spatiales	27/08/2015	2993847	15182622.9	French
2995432	Stanley Black & Decker, Inc.	13/08/2015	2995432	15181008.2	
2996153	NXP B.V.	12/09/2014	2996153	14184549.5	
2998219	The Boeing Company	17/09/2015	2998219	15185618.4	
2998689	Stanley Black & Decker, Inc.	26/08/2015	2998689	15182583.3	
2999206	Fujifilm Corporation	09/09/2015	2999206	15184515.3	
3000475	Kledos Cell Tech, S.L.	10/04/2014	3000475	14801136.4	
3000839	The Boeing Company	23/09/2015	3000839	15186480.8	
3000841	The Boeing Company	23/09/2015	3000841	15186490.7	
3001179	Agilent Technologies, Inc. (A Delaware Corporation)	24/09/2015	3001179	15186716.5	
3001639	Accenture Global Services Limited	23/09/2015	3001639	15186506.0	
3001745	Samsung Electronics Co., Ltd.	25/09/2015	3001745	15186887.4	
3002021	Gerresheimer Regensburg GmbH	16/09/2015	3002021	15185439.5	German
3002263	Tru Vue, Inc.	13/08/2015	3002263	15180867.2	
3002284	F. Hoffmann-La Roche AG	02/11/2012	3002284	15188086.1	
3002575	Balance Systems S.r.L.	30/09/2015	3002575	15187648.9	
3003438	Valeritas, Inc.	30/05/2014	3003438	14803383.0	
3004472	Caterpillar Inc.	30/05/2014	3004472	14804346.6	
3004592	MAN Energy Solutions SE	03/06/2014	3004592	14727561.4	German
3004785	Profense, LLC	03/06/2014	3004785	14832235.7	
3004899	Sikorsky Aircraft Corporation	22/05/2014	3004899	14836717.0	
3005901	King Slide Works Co., Ltd. King Slide Technology Co., Ltd.	08/10/2014	3005901	14188099.7	
3005918	Huiyang Allan Plastic & Electric Industries Co., Limited	22/06/2015	3005918	15173088.4	
3005962	Aesculap AG	21/09/2015	3005962	15186068.1	German

4110	(No. 2387)	<i>Patents Office Journal</i>		(12/06/2019)	
3006733	MITSUBISHI HEAVY INDUSTRIES, LTD.	29/05/2015	3006733	15169860.2	
3007287	Fujikura Ltd.	28/05/2014	3007287	14804200.5	
3008411	BSH Hausgeräte GmbH	10/06/2014	3008411	14730499.2	German
3009125	Kao Corporation	04/06/2014	3009125	14811630.4	
3009210	Ishihara Chemical Co., Ltd.	13/06/2013	3009210	13886682.7	
3009275	Continental Reifen Deutschland GmbH	29/07/2015	3009275	15178746.2	German
3009727	Majus Limited	16/10/2015	3009727	15190299.6	
3009921	Samsung Display Co., Ltd.	16/10/2014	3009921	14189283.6	
3010193	Gambro Lundia AB	17/10/2014	3010193	14189409.7	
3010394	Novartis AG	18/09/2014	3010394	14845117.2	
3010803	B/E Aerospace, Inc.	17/06/2014	3010803	14736579.5	
3011052	Verinata Health, Inc.	17/06/2014	3011052	14739612.1	
3011214	Parker-Hannifin Corporation	19/06/2014	3011214	14738990.2	
3011241	Electrolux Home Products, Inc.	23/05/2014	3011241	14735728.9	
3011760	Med-El Elektromedizinische Geräte GmbH	17/06/2014	3011760	14813888.6	
3012128	WESTFALIA - Automotive GmbH	21/10/2015	3012128	15190735.9	German
3012136	HONDA MOTOR CO., LTD.	22/10/2015	3012136	15190999.1	
3012281	United Technologies Corporation	13/10/2015	3012281	15189542.2	
3012825	LG Display Co., Ltd.	21/10/2015	3012825	15190844.9	
3012920	PHOENIX CONTACT E-Mobility GmbH	29/09/2015	3012920	15187500.2	German
3013177	Verily Life Sciences LLC	24/06/2014	3013177	14817518.5	
3013481	Nelson Irrigation Corporation	24/06/2014	3013481	14745257.7	
3013748	CAP III B.V.	20/06/2014	3013748	14738414.3	
3014485	Oracle International Corporation	23/06/2014	3014485	14740064.2	
3014645	Schneider Electric Industries SAS	26/06/2014	3014645	14735512.7	French
3014867	Canon Kabushiki Kaisha	23/06/2014	3014867	14817183.8	
3015251	Cmet Inc.	27/06/2014	3015251	14816566.5	
3015696	United Technologies Corporation	27/10/2015	3015696	15191618.6	
3015964	Amadeus S.A.S.	30/10/2014	3015964	14003668.2	
3016490	FUJI Corporation	27/06/2013	3016490	13888015.8	
3016494	Baß Antriebstechnik GmbH	25/06/2014	3016494	14732573.2	German
3016782	Rothenberger AG	17/06/2014	3016782	14752255.1	German
3016901	Liebherr-Werk Biberach GmbH	01/07/2014	3016901	14738383.0	German
3016970	Glykos Finland Oy	03/07/2014	3016970	14734515.1	

3017038	Biolamina AB National University of Singapore	02/07/2014	3017038	14805655.9	
3017099	Bekaert Combustion Technology B.V.	01/07/2014	3017099	14735914.5	
3017522	Dräger Safety AG & Co. KGaA	27/06/2014	3017522	14734742.1	German
3017553	Telefonaktiebolaget LM Ericsson (publ)	11/06/2014	3017553	14731195.5	
3017631	Telefonaktiebolaget LM Ericsson (publ)	05/07/2013	3017631	13734122.8	
3017697	Evrard, Eric	06/11/2015	3017697	15193553.3	French
3018365	Elleprogetti di Enzo Landi	03/11/2015	3018365	15192685.4	
3018579	OPEN TEXT SA ULC	09/11/2015	3018579	15193659.8	
3018678	Rockwell Automation Technologies, Inc.	06/11/2015	3018678	15193379.3	
3018706	Mitsubishi Electric Corporation	07/10/2015	3018706	15188718.9	
3018776	Hamamatsu Photonics K.K.	23/05/2014	3018776	14819679.3	
3019578	UOP LLC	30/06/2014	3019578	14823669.8	
3020230	Orange	09/07/2014	3020230	14736846.8	
3020711	Institute of Pharmacology and Toxicology Academy of Military Medical Sciences P.L. A. China	09/07/2014	3020711	14822521.2	
3020814	Fundación Pedro Barrié de la Maza, Conde de Fenosa Universidade de Santiago de Compostela	10/07/2014	3020814	14822500.6	
3022556	Saudi Arabian Oil Company	16/07/2014	3022556	14747253.4	
3022675	Nokia Technologies OY	16/07/2013	3022675	13889358.1	
3023478	Embraer S.A.	19/11/2015	3023478	15195269.4	
3023796	Renesas Electronics Corporation	11/11/2015	3023796	15194183.8	
3024342	Altria Client Services LLC	22/07/2014	3024342	14747788.9	
3024659	Hewlett-Packard Development Company, L.P.	26/07/2013	3024659	13742438.8	
3024736	Cryovac, LLC	23/07/2014	3024736	14742510.2	
3024776	Elaflex Hiby Tanktechnik GmbH & Co. KG	11/07/2014	3024776	14738523.1	German
3025317	Intellivision Technologies Corp.	22/07/2014	3025317	14829295.6	
3025323	Exaqtworld	22/07/2014	3025323	14790151.6	French
3025627	Whirlpool Corporation	11/11/2015	3025627	15194072.3	
3025645	TOYOTA JIDOSHA KABUSHIKI KAISHA	09/11/2015	3025645	15193651.5	

4112	(No. 2387)	Patents Office Journal	(12/06/2019)		
3026126	Nippon Steel & Sumitomo Metal Corporation	24/07/2014	3026126	14829151.1	
3026213	General Electric Company	20/11/2015	3026213	15195701.6	
3026228	United Technologies Corporation	26/11/2015	3026228	15196477.2	
3026274	Steering Solutions IP Holding Corporation	25/11/2015	3026274	15196256.0	
3026344	Ansaldo Energia Switzerland AG	26/11/2014	3026344	14194930.5	
3027236	Sahajanand Medical Technologies Private Limited	30/07/2014	3027236	14781268.9	
3027487	PSA Automobiles SA	11/06/2014	3027487	14738553.8	French
3027583	UOP LLC	10/07/2014	3027583	14831603.7	
3028060	HERE Global B.V.	16/07/2014	3028060	14741561.6	
3028750	Immersion Corporation	30/11/2015	3028750	15197035.7	
3029163	CMI UVK GmbH	02/12/2014	3029163	14195949.4	
3029261	Services Pétroliers Schlumberger Schlumberger Holdings Limited Schlumberger Technology B.V. (STBV)	02/12/2015	3029261	15197619.8	
3029489	Nokia Technologies Oy	11/04/2011	3029489	15202774.4	
3030037	Acer Incorporated	01/04/2015	3030037	15162211.5	
3030694	Rio Tinto Alcan International Limited	30/07/2014	3030694	14834525.9	French
3030746	Kashafutdinov, Varis	09/08/2013	3030746	13771045.5	German
3030949	Qualcomm Incorporated	07/08/2014	3030949	14756166.6	
3031010	PerceptiMed, Inc.	08/08/2014	3031010	14834230.6	
3031073	KLA - Tencor Corporation	11/08/2014	3031073	14836663.6	
3031612	Kabushiki Kaisha Pilot Corporation	08/08/2014	3031612	14834835.2	
3031655	Ricoh Company, Ltd.	19/11/2015	3031655	15195457.5	
3031853	Borealis AG	12/12/2014	3031853	14197550.8	
3031898	Panasonic Corporation	08/08/2014	3031898	14835405.3	
3031976	LG Electronics Inc.	02/12/2015	3031976	15197566.1	
3032065	Yamabiko Corporation	10/12/2015	3032065	15199339.1	
3032068	United Technologies Corporation	10/12/2015	3032068	15199416.7	
3032083	Rolls-Royce Corporation	02/12/2015	3032083	15197419.3	
3032863	NTT DoCoMo, Inc.	07/07/2014	3032863	14833785.0	
3033115	Steriliz, LLC	28/04/2014	3033115	14837206.3	
3033961	Skylotec GmbH	30/11/2015	3033961	15197039.9	German
3034413	The Boeing Company	11/12/2015	3034413	15199572.7	
3035990	Boston Scientific Scimed, Inc.	21/08/2014	3035990	14761491.1	

3036162	We Designs, LLC	21/08/2014	3036162	14837991.0	
3036349	Heraeus Materials Technology North America LLC Heraeus Deutschland GmbH & Co. KG	18/08/2014	3036349	14752337.7	
3036921	Microsoft Technology Licensing, LLC	18/08/2014	3036921	14759382.6	
3037333	Electrike Japan Co., Ltd	19/06/2013	3037333	13887499.5	
3037417	SANOFI	25/07/2012	3037417	15190731.8	
3037697	KITZ CORPORATION	28/08/2014	3037697	14841012.9	
3037934	Valeo Japan Co., Ltd.	01/12/2015	3037934	15197385.6	
3038173	LG Innotek Co., Ltd.	10/12/2015	3038173	15199381.3	
3038584	Mölnlycke Health Care AB	04/09/2015	3038584	15837218.5	
3039036	GlaxoSmithKline Biologicals S.A. The United States of America, as represented by The Secretary, Department of Health and Human Services	26/08/2014	3039036	14777272.7	
3039243	General Electric Company	28/07/2014	3039243	14750286.8	
3039736	Robert Bosch GmbH	27/08/2014	3039736	14840694.5	
3040524	United Technologies Corporation	08/12/2015	3040524	15198395.4	
3040681	NISSAN MOTOR CO., LTD.	29/08/2013	3040681	13892752.0	
3040811	Harman International Industries, Incorporated	22/12/2015	3040811	15201953.5	
3040960	Humanetics Innovative Solutions, Inc.	30/12/2015	3040960	15203038.3	
3041099	Caspro, S.A.	04/11/2015	3041099	15192883.5	
3041299	NTT DoCoMo, Inc.	06/08/2014	3041299	14840899.0	
3041391	SEB S.A.	03/09/2014	3041391	14777695.9	French
3042164	Metryx Limited	21/08/2014	3042164	14755908.2	
3042428	Maschinenfabrik Reinhausen GmbH	13/08/2014	3042428	14750734.7	German
3042710	MANN + HUMMEL GMBH	30/11/2015	3042710	15196936.7	German
3043138	Hamilton Sundstrand Corporation	05/01/2016	3043138	16150245.5	
3043381	Murata Integrated Passive Solutions	08/05/2008	3043381	16156470.3	
3043497	Huawei Technologies Co., Ltd.	11/08/2014	3043497	14842584.6	
3043860	Incube Labs, Llc	10/09/2014	3043860	14844895.4	
3044186	ETEX SERVICES NV	08/09/2014	3044186	14761632.0	
3044339	Mockv Solutions	09/09/2014	3044339	14843784.1	
3044716	GEMALTO SA	11/07/2014	3044716	14738526.4	
3044897	Rai Radiotelevisione Italiana S.p.A.	02/09/2014	3044897	14777844.3	
3044925	Symbol Technologies, LLC	22/08/2014	3044925	14759419.6	

4114	(No. 2387)	<i>Patents Office Journal</i>		(12/06/2019)	
3045254	Rolls-Royce Corporation	06/01/2016	3045254	16150297.6	
3045570	IIA Technologies Pte. Ltd.	30/09/2015	3045570	15187789.1	
3045793	Honeywell International Inc.	06/01/2016	3045793	16150356.0	
3045836	Giannoulis, Stylianos	15/01/2015	3045836	15151236.5	
3046434	NIKE Innovate C.V.	18/09/2014	3046434	14790802.4	
3046669	BL Technologies, Inc.	17/09/2013	3046669	13770765.9	
3046726	EMAG Holding GmbH	26/08/2014	3046726	14814686.3	German
3046886	Hilti Aktiengesellschaft	19/09/2014	3046886	14767020.2	German
3047366	Microsoft Technology Licensing, LLC	12/09/2014	3047366	14776957.4	
3047728	Unitron A/S	20/01/2016	3047728	16152081.2	
3047892	Honeywell International Inc.	19/01/2016	3047892	16151969.9	
3049082	Purdue Pharma L.P.	23/09/2014	3049082	14799198.8	
3049142	Androphin Medical Ltd.	30/10/2014	3049142	14860573.6	
3049536	The University of Chicago	23/09/2014	3049536	14845394.7	
3049754	Quantum Ammunition, LLC	24/09/2014	3049754	14781788.6	
3050985	Seiko Epson Corporation	27/01/2016	3050985	16152921.9	
3051166	Goodrich Corporation	27/01/2016	3051166	16152897.1	
3051167	Goodrich Corporation	29/01/2016	3051167	16153489.6	
3051307	Veoneer Sweden AB	09/09/2014	3051307	14847125.3	
3051364	Cartier International AG	29/01/2015	3051364	15153054.0	French
3052167	Medimop Medical Projects Ltd.	30/09/2014	3052167	14789668.2	
3052306	Bayerische Motoren Werke Aktiengesellschaft	21/08/2014	3052306	14753087.7	German
3053398	Qualcomm Incorporated	03/10/2014	3053398	14793674.4	
3053502	LG Electronics Inc.	30/06/2009	3053502	16158471.9	
3053765	FCA Italy S.p.A.	05/02/2016	3053765	16154581.9	
3054782	Evonik Degussa GmbH	01/10/2014	3054782	14777620.7	German
3055017	Koninklijke Philips N.V.	29/09/2014	3055017	14780441.3	
3055433	University of Rochester The UAB Research Foundation	09/10/2014	3055433	14851985.3	
3056973	LG Electronics Inc.	04/02/2016	3056973	16154302.0	
3057220	Qualcomm Incorporated	13/11/2012	3057220	16153906.9	
3057340	Oticon A/S	10/02/2016	3057340	16154994.4	
3057474	Sarong Societa' Per Azioni	15/10/2014	3057474	14802159.5	
3057592	Indiana University Research and Technology Corporation	16/10/2014	3057592	14853713.7	
3057904	Tetra Laval Holdings & Finance S.A.	25/09/2014	3057904	14777050.7	
3058092	Illumina, Inc.	16/10/2014	3058092	14796335.9	

3058105	Seegene, Inc.	17/10/2014	3058105	14854330.9	
3058339	APDN (B.V.I.) Inc.	07/10/2014	3058339	14852842.5	
3058941	Boston Biomedical, Inc.	10/09/2008	3058941	16156290.5	
3059642	MONTRES BREGUET S.A.	23/02/2015	3059642	15156070.3	French
3059898	Nippon Telegraph and Telephone Corporation	07/10/2014	3059898	14854587.4	
3059991	Huawei Technologies Co., Ltd.	11/11/2013	3059991	13896862.3	
3060311	The Procter & Gamble Company	23/10/2014	3060311	14792975.6	
3060859	Nederlandse Organisatie voor toegepast- natuurwetenschappelijk onderzoek TNO	10/10/2014	3060859	14790378.5	
3061509	New Health Sciences, Inc.	10/08/2012	3061509	16154118.0	
3062373	LG Chem, Ltd.	31/10/2014	3062373	14853151.0	
3062525	Polar Electro Oy	11/02/2016	3062525	16155202.1	
3062663	Liverpool School of Tropical Medicine	23/10/2014	3062663	14790269.6	
3062895	Franklin, Richard James Allen	30/10/2014	3062895	14815788.6	
3064567	School Juridical Person Kitasato Institute Mitsubishi Paper Mills Limited	17/10/2014	3064567	14858411.3	
3064624	TMT Machinery, Inc.	29/02/2016	3064624	16157816.6	
3064958	Navico Holding AS	07/03/2016	3064958	16158998.1	
3065268	Ansaldo Energia S.p.A.	04/03/2016	3065268	16158845.4	
3065322	Panasonic Intellectual Property Corporation of America	28/10/2014	3065322	14857636.6	
3065335	Hangzhou Wopuwulian Science&technology Co., Ltd.	15/04/2015	3065335	15853646.6	
3066078	Bristol-Myers Squibb Pharma Company	16/01/2014	3066078	14702707.2	
3066941	Fontem Holdings 1 B.V.	13/03/2015	3066941	15158978.5	
3067360	Samsung Electronics Co., Ltd.	10/03/2016	3067360	16159719.0	
3067702	Siemens Industry, Inc.	25/02/2016	3067702	16157296.1	
3067864	Koninklijke Philips N.V.	21/08/2006	3067864	16157354.8	
3068087	Huizhou TCL Mobile Communication Co., Ltd.	21/04/2014	3068087	14812398.7	
3069188	Carl Zeiss Microscopy GmbH	13/11/2014	3069188	14798837.2	German
3069534	Knowroaming Ltd Telecom North America Inc.	12/11/2014	3069534	14825186.1	
3069617	Conings, Bert	17/03/2016	3069617	16160941.7	
3069884	Jeute, Piotr	24/12/2015	3069884	15202694.4	

4116	(No. 2387)	Patents Office Journal	(12/06/2019)		
3070142	Tokuyama Corporation	07/11/2014	3070142	14859834.5	
3070341	Azbil Corporation	17/03/2016	3070341	16160805.4	
3070499	Hamamatsu Photonics K.K.	10/10/2014	3070499	14861967.9	
3070808	Volvo Lastvagnar Aktiebolag	13/11/2013	3070808	13897354.0	
3071150	Edwards Lifesciences Corporation	21/11/2014	3071150	14864719.1	
3071253	ICU Medical, Inc.	19/11/2014	3071253	14863637.6	
3071355	MAPAL Fabrik für Präzisionswerkzeuge Dr. Kress KG	20/11/2014	3071355	14805218.6	German
3071656	BASF Coatings GmbH Henkel AG & Co. KGaA	18/11/2013	3071656	13792027.8	German
3071681	Rhodia Operations	20/11/2014	3071681	14800060.7	
3072314	Sonova AG	20/11/2013	3072314	13795716.3	
3072538	Orthovita, Inc.	23/03/2016	3072538	16161967.1	
3073035	Volkswagen Aktiengesellschaft	17/03/2016	3073035	16160799.9	German
3073123	Samsung Electronics Co., Ltd.	23/03/2016	3073123	16161821.0	
3073146	Valeo Embayages	25/03/2016	3073146	16162462.2	French
3073226	Northrop Grumman Systems Corporation	09/02/2016	3073226	16154929.0	
3074384	Chong Kun Dang Pharmaceutical Corp.	25/11/2014	3074384	14866648.0	
3074640	ArcelorMittal	30/11/2014	3074640	14865580.6	
3074661	IDBIKE B.V.	28/11/2014	3074661	14810006.8	
3075474	National University Corporation Tohoku University OSG Corporation	26/11/2013	3075474	13898341.6	
3076626	LG Electronics Inc.	28/11/2014	3076626	14865722.4	
3077695	KNORR-BREMSE Systeme für Nutzfahrzeuge GmbH	02/12/2014	3077695	14808921.2	German
3078482	Prismlab China Ltd.	16/10/2014	3078482	14867693.5	
3078507	Sumitomo Rubber Industries, Ltd.	25/11/2014	3078507	14871688.9	
3078598	RUAG Space GmbH	09/04/2015	3078598	15450017.7	German
3078755	Toyota Jidosha Kabushiki Kaisha	05/04/2016	3078755	16163796.2	
3080087	Lycera Corporation	10/12/2014	3080087	14870064.4	
3080233	BL Technologies, Inc.	06/11/2014	3080233	14802760.0	
3080261	The Broad Institute, Inc. Massachusetts Institute of Technology The Rockefeller University	12/12/2014	3080261	14830911.5	
3080269	Texas Heart Institute Baylor College of Medicine	09/12/2014	3080269	14868815.3	

3080368	Zeal Innovation Ltd.	09/12/2014	3080368	14825430.3	
3080395	SWS ENGINEERING S.p.A.	15/12/2014	3080395	14830649.1	
3080536	Tmt - Tapping Measuring Technology Sàrl	09/12/2014	3080536	14812435.7	
3080589	Abionic SA	17/11/2014	3080589	14821282.2	
3080840	Heptagon Micro Optics Pte. Ltd.	08/12/2014	3080840	14868746.0	
3081129	Lifeak Job Accommodation Solutions For Life, S.L.	10/12/2014	3081129	14869099.3	
3081413	AUDI AG	27/01/2016	3081413	16000189.7	German
3081579	Zhonghao Chenguang Research Institute of Chemical Industry Company Limited	16/10/2014	3081579	14870289.7	
3082221	LSIS Co., Ltd.	15/01/2016	3082221	16151538.2	
3082231	Nidec Sankyo Corporation	08/12/2014	3082231	14869850.9	
3082305	Huawei Technologies Co., Ltd.	31/12/2013	3082305	13900756.1	
3082314	Huawei Technologies Co., Ltd.	24/12/2014	3082314	14877644.6	
3082659	Fillauer Europe AB	08/12/2014	3082659	14871272.2	
3083378	Renault S.A.S.	09/12/2014	3083378	14827808.8	French
3083774	United Technologies Corporation	14/08/2014	3083774	14871082.5	
3083796	Borealis AG	19/08/2014	3083796	14752640.4	
3083832	EMS-PATENT AG	16/12/2014	3083832	14823937.9	German
3083926	Unilever PLC	16/12/2014	3083926	14812253.4	
3084782	Koninklijke Philips N.V.	11/12/2014	3084782	14812213.8	
3085297	Fujifilm Corporation	21/04/2016	3085297	16166424.8	
3085517	Technology Research Association For Future Additive Manufacturing	27/02/2015	3085517	15762908.0	
3085706	Guangzhou Shenglu Biotech Limited Company	19/12/2014	3085706	14870788.8	
3086957	Pirelli Tyre S.p.A.	04/12/2014	3086957	14808600.2	
3087124	DuPont Nutrition Biosciences ApS	19/12/2014	3087124	14827206.5	
3087140	Arlanxeo Singapore Pte. Ltd.	22/12/2014	3087140	14875732.1	
3087347	GRDF	23/12/2014	3087347	14831016.2	French
3087756	Tata Communications (America) Inc.	22/12/2014	3087756	14830455.3	
3087844	Gruppo Cimbali S.p.A.	15/04/2016	3087844	16165532.9	
3087935	Greatbatch Ltd.	18/04/2016	3087935	16165826.5	
3088413	Chen, Pu Positec Power Tools (Suzhou) Co., Ltd	18/12/2014	3088413	14872058.4	
3088516	Collectis	01/12/2003	3088516	16172420.8	

4118	(No. 2387)	Patents Office Journal	(12/06/2019)		
3088564	POSCO	26/12/2014	3088564	14874919.5	
3089527	Samsung Electronics Co., Ltd.	11/02/2014	3089527	16173000.7	
3089539	Vodafone GmbH	03/06/2015	3089539	15170463.2	
3089616	L V M H RECHERCHE	09/12/2014	3089616	14827804.7	French
3089631	Eli - Equipments for Life Improvement Ltd.	30/12/2014	3089631	14876859.1	
3089671	Koninklijke Philips N.V.	02/01/2015	3089671	15704590.7	
3089749	Immutep S.A.S.	19/12/2014	3089749	14830806.7	
3089829	PMC International B.V.	23/12/2014	3089829	14828349.2	
3090105	Schrijver Vochtbestrijding B.V.	23/12/2014	3090105	14828350.0	
3090159	Dayco IP Holdings, LLC	10/12/2014	3090159	14869930.9	
3090457	Dynantis Corp.	31/12/2014	3090457	14876898.9	
3090979	Doosan Corporation	06/10/2014	3090979	14876660.3	
3091203	Kaymacor S.r.l.	28/04/2016	3091203	16167519.4	
3092005	Oklahoma Medical Research Foundation	06/01/2015	3092005	15734930.9	
3092411	ATLAS COPCO AIRPOWER, naamloze vennootschap	08/01/2015	3092411	15710412.6	
3092490	Pierre Fabre Dermo-Cosmétique	06/01/2015	3092490	15700961.4	French
3092931	LG Electronics Inc.	05/03/2015	3092931	16171922.4	
3093038	Access Scientific, Inc.	18/04/2008	3093038	16000849.6	
3093060	Witzenmann GmbH	14/04/2016	3093060	16165299.5	German
3093539	Yokogawa Electric Corporation	04/12/2014	3093539	14877965.5	
3093548	Carbotainer, S.L.	11/11/2015	3093548	15382559.1	
3094098	Spotify AB	26/04/2016	3094098	16167129.2	
3094509	Compagnie Générale des Etablissements Michelin	10/12/2014	3094509	14809418.8	French
3094526	SAF-HOLLAND GmbH	14/01/2015	3094526	15700246.0	German
3095046	Microsoft Technology Licensing, LLC	08/01/2015	3095046	15701611.4	
3096872	Johnson Matthey Public Limited Company	23/01/2015	3096872	15701404.4	
3096875	Johnson Matthey Public Limited Company	23/01/2015	3096875	15701406.9	
3096878	Johnson Matthey Public Limited Company	23/01/2015	3096878	15701405.1	
3097055	ISB Water	21/01/2015	3097055	15705714.2	French
3097228	Dow Global Technologies LLC	16/01/2015	3097228	15702072.8	
3097309	Novartis AG	17/04/2015	3097309	15779373.8	

3097582	Intel Corporation	09/12/2014	3097582	14879315.1	
3098002	Yuanmeng Precision Technology (Shenzhen) Institute	31/03/2015	3098002	15874381.5	
3098071	Dai Nippon Printing Co., Ltd.	09/01/2015	3098071	15735031.5	
3099137	Huawei Technologies Co., Ltd.	25/02/2014	3099137	14883830.3	
3099621	Manitowoc Crane Companies, Inc.	26/01/2015	3099621	15740166.2	
3100108	Hewlett-Packard Development Company, L.P.	31/01/2014	3100108	14880813.2	
3100391	Telefonaktiebolaget LM Ericsson (publ)	26/01/2015	3100391	15712673.1	
3100832	Proytec Security, S.L.	20/04/2016	3100832	16166173.1	
3101550	Kyocera Document Solutions Inc.	22/01/2015	3101550	15743106.5	
3102734	Solenis Technologies, L.P.	21/01/2015	3102734	15705403.2	
3102862	ROHO, INC.	18/11/2014	3102862	14880927.0	
3103172	Rittal GmbH&Co. Kg	28/01/2015	3103172	15705902.3	German
3103631	The Boeing Company	21/03/2016	3103631	16161455.7	
3104424	Atsumitec Co., Ltd.	21/01/2015	3104424	15746764.8	
3104486	GYRK International Technology Co., Ltd	05/02/2015	3104486	15746860.4	
3104878	Immune Design Corp.	13/02/2015	3104878	15709383.2	
3105132	Palletkraft Europe Ltd.	14/02/2014	3105132	14718155.6	
3105494	L'Air Liquide Société Anonyme pour l'Etude et l'Exploitation des Procédés Georges Claude	03/02/2015	3105494	15706884.2	French
3106322	Bridgestone Corporation	16/01/2015	3106322	15749663.9	
3107246	Huawei Technologies Co., Ltd.	26/03/2014	3107246	14886935.7	
3108173	LEDVANCE GmbH	16/12/2014	3108173	14814836.4	German
3108192	BSH Hausgeräte GmbH	23/01/2015	3108192	15700767.5	German
3108250	Biomérieux	12/02/2015	3108250	15706913.9	French
3108319	Ghaly, Nabil N.	15/02/2015	3108319	15752621.1	
3108693	Qualcomm Incorporated	17/02/2015	3108693	15708385.8	
3108742	Vermeer Manufacturing Company	17/06/2016	3108742	16175026.0	
3108859	Boileau, Pascal Bouletreau, Jean Christophe	25/06/2015	3108859	15306005.8	
3108986	Kochi University, National University Corporation Sumitomo Metal Mining Co., Ltd.	17/02/2015	3108986	15748557.4	
3109680	Enplas Corporation	16/02/2015	3109680	15751954.7	
3109792	Cognex Corporation	12/11/2008	3109792	16176501.1	

4120	(No. 2387)	Patents Office Journal	(12/06/2019)		
3109971	Alber GmbH	01/06/2016	3109971	16172452.1	German
3110068	Huawei Technologies Co., Ltd.	05/06/2015	3110068	15840371.7	
3110086	Juniper Networks, Inc.	15/12/2015	3110086	15200019.6	
3110370	Highlife SAS	25/02/2015	3110370	15739668.0	
3110735	Eastman Kodak Company	15/12/2014	3110735	14825018.6	
3110789	ratiopharm GmbH	27/02/2015	3110789	15708168.8	
3110988	Nemaska Lithium Inc.	24/02/2015	3110988	15752880.3	
3111011	Peikko Group Oy	13/02/2015	3111011	15707692.8	
3111479	Sony Corporation	17/02/2015	3111479	15709558.9	
3111735	Schreiner Group GmbH & Co. KG	25/02/2015	3111735	15708464.1	German
3111881	Ormco Corporation	27/06/2016	3111881	16176517.7	
3113157	Harman Professional Denmark ApS	30/06/2015	3113157	15174496.8	
3113355	NSK Ltd.	26/02/2015	3113355	15754550.0	
3113387	Huawei Technologies Co., Ltd.	21/03/2014	3113387	14886067.9	
3113393	MediaTek Inc.	13/06/2016	3113393	16174180.6	
3113955	Bundesdruckerei GmbH	05/03/2015	3113955	15707950.0	German
3114049	Raymond, Loubert, Joseph	03/03/2015	3114049	15758120.8	
3114079	Praxair Technology Inc.	04/03/2015	3114079	15710064.5	
3114166	Bridgestone Corporation	05/03/2015	3114166	15718581.0	
3114319	Tulino Research & Partners Ltd. Tulino, Rosario Rocco	06/02/2015	3114319	15711265.7	
3114651	Microsoft Technology Licensing, LLC	27/02/2015	3114651	15716195.1	
3115707	Toshiba Carrier Corporation	19/02/2015	3115707	15751873.9	
3115842	Djouidi, Abdelhakim	06/07/2016	3115842	16178260.2	French
3116086	Siemens Gamesa Renewable Energy A/S	07/07/2015	3116086	15175607.9	
3116331	Altria Client Services LLC	13/03/2015	3116331	15713289.5	
3116781	Endurant Systems LLC	05/03/2015	3116781	15762275.4	
3117427	NewMusicNow, S.L.	12/03/2015	3117427	15709490.5	
3117482	Google Technology Holdings LLC	06/03/2015	3117482	15710395.3	
3117761	Canon Kabushiki Kaisha	12/07/2016	3117761	16179000.1	
3117837	Bayer HealthCare LLC	28/08/2013	3117837	16180643.5	
3118011	Konica Minolta, Inc.	13/03/2015	3118011	15761864.6	
3118319	Innovative Cellular Therapeutics Co., Ltd.	06/09/2013	3118319	16180856.3	
3118571	Mitutoyo Corporation	29/06/2016	3118571	16001456.9	
3118831	NISSAN MOTOR CO., LTD.	10/03/2014	3118831	14885213.0	
3119122	Huawei Technologies Co. Ltd.	28/10/2014	3119122	14886674.2	

3119662	Caterpillar Inc.	18/02/2015	3119662	15765311.4	
3119766	Boehringer Ingelheim International GmbH	12/03/2015	3119766	15711453.9	
3119772	Boehringer Ingelheim International GmbH	12/03/2015	3119772	15711451.3	
3119988	Halliburton Energy Services, Inc.	15/05/2014	3119988	14891851.9	
3120129	Daedalus Innovations LLC	05/03/2015	3120129	15766001.0	
3120592	Telefonaktiebolaget LM Ericsson (publ)	05/03/2015	3120592	15765552.3	
3120718	Fontem Holdings 1 B.V.	24/07/2015	3120718	15178291.9	
3121069	Volkswagen Aktiengesellschaft	07/06/2016	3121069	16173284.7	German
3121117	Sikorsky Aircraft Corporation	23/05/2016	3121117	16170850.8	
3121455	HAWE Hydraulik SE	22/07/2015	3121455	15177908.9	German
3121510	Automotive Lighting Reutlingen GmbH	24/06/2016	3121510	16176224.0	German
3121545	Samsung Electronics Co., Ltd.	17/03/2015	3121545	15764496.4	
3121962	Laird Dabendorf GmbH	29/04/2014	3121962	16187058.9	German
3122065	Kabushiki Kaisha Audio-Technica	21/07/2016	3122065	16180604.7	
3122228	Electrolux Appliances Aktiebolag	24/03/2014	3122228	14711794.9	
3122305	Université catholique de Louvain	26/03/2015	3122305	15712377.9	
3122391	DePuy Synthes Products, Inc.	26/03/2015	3122391	15715601.9	
3122574	Continental Reifen Deutschland GmbH	20/01/2015	3122574	15700702.2	German
3122687	SCG Chemicals Co., Ltd.	25/03/2015	3122687	15719621.3	
3122779	Cancer Research Technology Limited	24/03/2015	3122779	15716147.2	
3122815	Kraton Polymers U.S. LLC	27/03/2015	3122815	15770061.8	
3123277	Hewlett-Packard Development Company, L.P.	28/03/2014	3123277	14887317.7	
3123593	Tridonic GmbH & Co. KG	18/03/2015	3123593	15715130.9	German
3124314	Zollner Elektronik AG	28/07/2016	3124314	16181805.9	German
3124770	General Electric Company	27/05/2016	3124770	16171821.8	
3124921	Dr. Johannes Heidenhain GmbH	30/07/2015	3124921	15179014.4	German
3125471	Mitsubishi Electric Corporation	21/04/2014	3125471	14890347.9	
3125481	Huawei Technologies Co., Ltd.	20/03/2015	3125481	15769681.6	
3125797	Zimmer, Inc.	03/04/2015	3125797	15717068.9	
3125865	Unifarco S.p.A.	01/04/2015	3125865	15718629.7	
3126030	Caterpillar Inc.	10/03/2015	3126030	15711621.1	
3126138	Dow Global Technologies LLC	01/04/2015	3126138	15716682.8	
3126214	Keppel Offshore & Marine Technology Centre Pte Ltd	10/04/2015	3126214	15888631.7	
3126327	Ineos Europe AG	24/03/2015	3126327	15715915.3	

4122	(No. 2387)	Patents Office Journal	(12/06/2019)		
3126379	Ares Trading SA	01/04/2015	3126379	15773707.3	
3126513	Laboratoires Expanscience	31/03/2015	3126513	15713488.3	French
3127046	STMicroelectronics S.r.l.	17/03/2015	3127046	15714652.3	
3127358	Sony Corporation	01/04/2014	3127358	14887799.6	
3127364	Telefonaktiebolaget LM Ericsson (publ)	31/03/2015	3127364	15715204.2	
3128033	JFE Steel Corporation	31/03/2015	3128033	15774406.1	
3128720	Huawei Technologies Co., Ltd.	05/08/2015	3128720	15874862.4	
3128908	Bogazici University	10/04/2015	3128908	15776710.4	
	Georgia Tech Research Corporation				
3128944	Kulzer GmbH	09/04/2015	3128944	15715253.9	German
3128948	The Procter & Gamble Company	09/04/2015	3128948	15716971.5	
3128956	DePuy Synthes Products, Inc.	08/04/2015	3128956	15719049.7	
3129080	Carnegie Mellon University	07/04/2015	3129080	15776535.5	
3129541	Whirlpool EMEA S.p.A.	02/04/2015	3129541	15720460.3	
3129552	Essity Hygiene and Health Aktiebolag	08/04/2014	3129552	14888854.8	
3129577	Varel International, Ind., L.P.	10/04/2015	3129577	15776900.1	
3130106	Alcatel Lucent	03/04/2015	3130106	15718046.4	
3130178	Level 3 Communications, LLC	08/04/2015	3130178	15776621.3	
3130391	fluvicon GmbH	14/08/2015	3130391	15181170.0	
3130701	Whirlpool Corporation	01/08/2016	3130701	16182226.7	
3130764	Kabushiki Kaisha Toshiba	07/04/2015	3130764	15776819.3	
3130836	Meljac	28/07/2016	3130836	16181622.8	French
3131259	Accenture Global Services Limited	05/08/2016	3131259	16182916.3	
3131427	Kaligis, Shina	16/04/2015	3131427	15718631.3	
3131516	ReActive Robotics GmbH	13/04/2015	3131516	15716514.3	German
3131684	Commonwealth Scientific and Industrial Research Organisation	13/04/2015	3131684	15780222.4	
3131956	Arkema France	15/04/2015	3131956	15725738.7	French
3132199	Honeywell International Inc.	30/03/2015	3132199	15779939.6	
3132608	Intel Corporation	25/03/2015	3132608	15780398.2	
3132701	Aderans Company Limited	06/03/2015	3132701	15779641.8	
3133041	Daifuku Co., Ltd.	04/06/2015	3133041	15806600.1	
3133340	LG Innotek Co., Ltd.	26/01/2012	3133340	16182877.7	
3133659	Toray Industries, Inc.	07/04/2015	3133659	15779593.1	
3134316	Neustadt, Roi	22/04/2015	3134316	15783179.3	
3134374	Endress+Hauser SE+Co. KG	18/12/2014	3134374	14812774.9	German
3134930	TOYOTA JIDOSHA KABUSHIKI KAISHA	21/04/2015	3134930	15722764.6	

3135399	Hyundai Motor Company Kia Motors Corporation	20/11/2015	3135399	15195578.8	
3135592	The Boeing Company	06/07/2016	3135592	16178214.9	
3135807	BSH Hausgeräte GmbH	29/07/2016	3135807	16182049.3	German
3135977	Surpass Industry Co., Ltd.	22/08/2016	3135977	16185128.2	
3136472	AutoNetworks Technologies, Ltd. Sumitomo Wiring Systems, Ltd. Sumitomo Electric Industries, Ltd.	03/04/2015	3136472	15783567.9	
3137171	L'OREAL	29/04/2015	3137171	15721630.0	
3137409	Hyster-Yale Group, Inc.	29/04/2015	3137409	15785824.2	
3137670	Guardian Manufacturing, Inc.	23/04/2015	3137670	15721452.9	
3138412	Guilin GFS Monk Fruit Corporation	07/08/2013	3138412	16189800.2	
3138544	Unicharm Corporation	20/01/2015	3138544	15786111.3	
3138591	Sorin Group Italia S.r.l.	20/04/2010	3138591	16192546.6	
3138614	Alpha Group Co., Ltd. Guangdong Auldey Animation & Toy Co., Ltd. Guangzhou Alpha Culture Communications Co., Ltd.	01/07/2015	3138614	15888072.4	
3138913	Imagen Bioscience	31/08/2016	3138913	16186708.0	
3139021	United Technologies Corporation	26/03/2013	3139021	16190896.7	
3139686	Kabushiki Kaisha Toshiba	28/04/2015	3139686	15786367.1	
3140571	Bayerische Motoren Werke Aktiengesellschaft	16/03/2015	3140571	15709951.6	German
3141029	Intel IP Corporation	08/04/2015	3141029	15789930.3	
3141224	Coloplast A/S	01/06/2011	3141224	16188304.6	
3141414	Aptiv Technologies Limited	08/09/2015	3141414	15184319.0	
3141486	Easy Cup	08/09/2016	3141486	16187902.8	French
3141553	National Institute of Advanced Industrial Science and Technology	30/04/2015	3141553	15789345.4	
3141558	Merck Patent GmbH	08/09/2016	3141558	16187838.4	
3141656	Konica Minolta, Inc.	23/04/2015	3141656	15788988.2	
3141932	Nokia Technologies Oy	09/09/2015	3141932	15184538.5	
3141933	Johnson & Johnson Vision Care Inc.	29/04/2012	3141933	16175519.4	
3141936	Iridian Spectral Technologies Ltd	07/09/2016	3141936	16187529.9	
3142416	Huawei Technologies Co., Ltd.	02/06/2011	3142416	16177405.4	
3142739	The Guy P. Curtis and Frances L. Curtis Trust	26/03/2015	3142739	15792584.3	

4124	(No. 2387)	<i>Patents Office Journal</i>		(12/06/2019)	
3143168	Teck Resources Limited Aurubis AG	16/04/2015	3143168	15792973.8	
3143689	Robert Bosch GmbH	25/02/2015	3143689	15708463.3	German
3143998	Teva Branded Pharmaceutical Products R & D, Inc.	06/12/2012	3143998	16185402.1	
3144229	Korea Aerospace Research Institute	19/08/2014	3144229	14891649.7	
3144319	Tryggvason, Karl Rodin, Sergey	19/09/2012	3144319	16195839.2	
3144378	KITAZATO BioScience Co., Ltd.	28/04/2015	3144378	15792375.6	
3148563	Kyowa Hakko Bio Co., Ltd.	22/05/2015	3148563	15795949.5	
3149602	Micron Technology, Inc.	01/06/2015	3149602	15802804.3	
3149808	Microsoft Technology Licensing, LLC	27/05/2015	3149808	15726502.6	
3150210	FB Dermatology Limited	06/11/2009	3150210	16199672.3	
3150392	Fujitsu Component Limited	26/05/2015	3150392	15800244.4	
3150463	Mitsubishi Electric Corporation	30/05/2014	3150463	14892893.0	
3150563	Ivoclar Vivadent AG	30/09/2015	3150563	15187666.1	German
3150583	EMS-PATENT AG	13/11/2012	3150583	16197899.4	German
3151006	Abbott Laboratories	05/06/2012	3151006	16198871.2	
3151334	Mitsubishi Electric Corporation	02/04/2015	3151334	15800142.0	
3151343	LG Chem, Ltd.	21/08/2015	3151343	15836529.6	
3152540	Okinawa Institute of Science and Technology School Corporation	02/06/2015	3152540	15802362.2	
3153083	Nice-Pak International Ltd.	06/10/2016	3153083	16192674.6	
3153163	Zhejiang Kanglaite Group Co., Ltd.	17/07/2015	3153163	15821314.0	
3153164	Zhejiang Kanglaite Group Co., Ltd.	17/07/2015	3153164	15822401.4	
3153720	Häfele GmbH & Co KG	17/06/2016	3153720	16174920.5	German
3153812	JUNGHANS Microtec GmbH	07/10/2016	3153812	16002164.8	German
3154168	Chou, Wen-San	05/10/2016	3154168	16192496.4	
3154198	Sofics BVBA	04/10/2016	3154198	16192233.1	
3155022	Fina Technology, Inc.	12/06/2015	3155022	15806311.5	
3155355	Rheinmetall Waffe Munition GmbH	16/06/2015	3155355	15729818.3	German
3155408	Parker-Hannifin Corporation	11/06/2015	3155408	15806811.4	
3156101	Sumitomo Heavy Industries, Ltd.	16/06/2015	3156101	15809175.1	
3156153	SLM Solutions Group AG	16/10/2015	3156153	15190170.9	
3156648	INNAS B.V.	11/02/2014	3156648	16199256.5	
3156649	INNAS B.V.	11/02/2014	3156649	16199258.1	
3156722	LG Innotek Co., Ltd.	07/09/2012	3156722	16188395.4	
3157017	Carl Zeiss X-Ray Microscopy, Inc.	17/10/2016	3157017	16194240.4	

3157144	Kubota Corporation	09/06/2015	3157144	15809098.5	
3157370	Fidlock GmbH	19/06/2014	3157370	14739064.5	
3157538	Neste Oyj	16/06/2015	3157538	15809746.9	
3157539	Neste Oyj	16/06/2015	3157539	15809840.0	
3157600	Maquet Critical Care AB	18/06/2014	3157600	14736048.1	
3157856	Socage S.r.l.	23/06/2014	3157856	14758418.9	
3158039	Rhodia Operations	15/01/2015	3158039	15701122.2	
3158104	ArvinMeritor Technology, LLC	28/05/2015	3158104	15727829.2	
3158274	King Abdullah University of Science and Technology	18/06/2015	3158274	15781406.2	
3158704	Telefonaktiebolaget LM Ericsson (publ)	23/06/2014	3158704	14895586.7	
3159603	CLAY PAKY S.p.A.	19/10/2016	3159603	16194541.5	
3159657	TOPCON CORPORATION	20/10/2016	3159657	16194802.1	
3159758	Makino Milling Machine Co., Ltd.	19/06/2014	3159758	14895080.1	
3159885	BOE Technology Group Co., Ltd. Chengdu BOE Optoelectronics Technology Co., Ltd.	02/09/2014	3159885	14864995.7	
3160110	ZTE Corporation	25/11/2014	3160110	14896104.8	
3160512	Novartis AG	24/06/2015	3160512	15736046.2	
3160784	SRI International	22/06/2015	3160784	15812612.8	
3161488	Università degli Studi della Basilicata	23/06/2015	3161488	15739524.5	
3161827	Google LLC	19/06/2015	3161827	15739064.2	
3161894	ABERTAX RESEARCH AND DEVELOPMENT LTD.	17/07/2014	3161894	14747834.1	
3162373	Kao Corporation	27/06/2014	3162373	14896111.3	
3162578	OCE-Technologies B.V.	07/10/2016	3162578	16192853.6	
3163049	United Technologies Corporation	26/10/2016	3163049	16195846.7	
3163089	Hamilton Sundstrand Corporation	30/09/2016	3163089	16191855.2	
3163230	BSH Hausgeräte GmbH	24/10/2016	3163230	16195318.7	German
3163312	Asahi Kasei Microdevices Corporation	26/06/2015	3163312	15811265.6	
3163377	Ricoh Company, Ltd.	26/09/2016	3163377	16190602.9	
3163715	CSEM Centre Suisse d'Electronique et de Microtechnique SA - Recherche et Développement	29/10/2015	3163715	15192228.3	
3164067	Drägerwerk AG & Co. KGaA	01/07/2015	3164067	15739511.2	German
3164823	Integrated Health Partners Limited	29/06/2015	3164823	15733510.0	
3164958	Intel Corporation	10/06/2015	3164958	15815875.8	
3164999	Dynamount, LLC	25/06/2015	3164999	15819315.1	

4126	(No. 2387)	Patents Office Journal	(12/06/2019)		
3165026	Google LLC	25/06/2015	3165026	15814969.0	
3165364	Hitachi Zosen Corporation	26/06/2015	3165364	15815844.4	
3165467	Hamilton Sundstrand Corporation	03/11/2015	3165467	15461574.4	
3165572	Kaneka Corporation	02/07/2015	3165572	15814337.0	
3165761	Nordex Energy GmbH	03/11/2015	3165761	15192757.1	German
3166096	BOE Technology Group Co., Ltd.	11/12/2014	3166096	14882166.3	
3166206	Panasonic Intellectual Property Management Co., Ltd.	26/06/2015	3166206	15815085.4	
3166210	VALEO EQUIPEMENTS ELECTRIQUES MOTEUR	30/09/2016	3166210	16191674.7	French
3166715	Koenig, Mark E. Koenig, Larry E.	02/12/2014	3166715	14867521.8	
3166774	Stratasys Ltd.	13/07/2015	3166774	15821817.2	
3166878	Qimarox Patenten B.V.	07/07/2015	3166878	15751124.7	
3167594	Cisco Technology, Inc.	23/06/2015	3167594	15736882.0	
3167681	MediaTek Inc.	12/08/2015	3167681	15832355.0	
3167932	INTERMEDIC ARFRAN, S.A.	01/04/2015	3167932	15819640.2	
3168227	CENTRE NATIONAL DE LA RECHERCHE SCIENTIFIQUE Université de Montpellier	30/04/2004	3168227	16197090.0	
3168394	ASSA ABLOY (Schweiz) AG	08/11/2016	3168394	16197671.7	German
3168445	Lapinski, Krzysztof	14/11/2016	3168445	16198579.1	
3168848	Fujifilm Corporation	01/07/2015	3168848	15819041.3	
3168903	Hitachi Chemical Company, Ltd.	03/07/2015	3168903	15819102.3	
3169561	Valeo Systèmes d'Essuyage	16/07/2015	3169561	15738369.6	French
3169802	Qualicon Diagnostics LLC	16/07/2015	3169802	15744821.8	
3169808	Blueprint Medicines Corporation	15/07/2015	3169808	15753223.5	
3170194	Siemens Healthcare GmbH	17/07/2014	3170194	14841371.9	
3170324	Telefonaktiebolaget LM Ericsson (publ)	16/07/2014	3170324	14744011.9	
3170564	Arnold, Rick Formanek, Dan	20/09/2016	3170564	16189784.8	
3171075	Valeo Comfort and Driving Assistance	23/11/2016	3171075	16200317.2	French
3171128	Bridgestone Corporation	15/06/2015	3171128	15809217.1	
3171724	O&M Halyard International Unlimited Company	16/10/2015	3171724	15791078.7	
3172488	Signify Holding B.V.	08/06/2015	3172488	15725677.7	
3172507	BSH Hausgeräte GmbH	20/07/2015	3172507	15739280.4	German
3172634	Oventrop GmbH & Co. KG	30/06/2015	3172634	15766740.3	German

3172725	Diebold Nixdorf, Incorporated	16/06/2016	3172725	16738580.6	
3172751	Legrand France Legrand SNC	17/07/2015	3172751	15753117.9	French
3172861	Cisco Technology, Inc.	23/07/2015	3172861	15756703.3	
3173044	Olympus Winter & Ibe GmbH	10/11/2016	3173044	16198105.5	German
3173047	Olympus Corporation	04/06/2015	3173047	15825510.9	
3174393	Ecolab USA Inc.	29/07/2015	3174393	15827169.2	
3174721	Hewlett-Packard Development Company, L.P.	28/07/2014	3174721	14898606.0	
3175090	Safran Helicopter Engines	21/07/2015	3175090	15753725.9	French
3175710	Ecolab INC.	09/06/2008	3175710	17150764.3	
3175957	Kawasaki Jukogyo Kabushiki Kaisha	22/07/2015	3175957	15827126.2	
3176055	I.G. Bauerhin GmbH	03/11/2016	3176055	16002341.2	German
3176135	AGC Inc.	29/07/2015	3176135	15827288.0	
3176240	Chevron Oronite Company LLC	04/11/2016	3176240	16197328.4	
3176304	Whirlpool Corporation	30/11/2016	3176304	16201585.3	
3176402	Caterpillar Energy Solutions GmbH	02/12/2015	3176402	15197638.8	
3176850	AutoNetworks Technologies, Ltd. Sumitomo Wiring Systems, Ltd. Sumitomo Electric Industries, Ltd.	29/07/2015	3176850	15828322.6	
3176855	Zeon Corporation	25/06/2015	3176855	15827714.5	
3177051	Sony Corporation	30/07/2015	3177051	15827842.4	
3177060	Huawei Technologies Co., Ltd.	21/08/2014	3177060	14899991.5	
3178321	DOW AGROSCIENCES LLC	06/10/2010	3178321	17152922.5	
3178597	Bolzenschweißtechnik Heinz Soyer GmbH	01/12/2016	3178597	16201752.9	German
3178708	TOYOTA JIDOSHA KABUSHIKI KAISHA	25/06/2015	3178708	15830241.4	
3178725	NSK Ltd.	03/08/2015	3178725	15830059.0	
3178778	UniCarriers Europe AB	10/12/2015	3178778	15199182.5	
3178818	Astex Therapeutics Limited	28/04/2011	3178818	16207610.3	
3178843	Spiber Technologies AB	25/10/2011	3178843	16198836.5	
3178922	Samsung Electronics Co., Ltd.	07/12/2016	3178922	16202662.9	
3178960	JFE Steel Corporation	19/08/2015	3178960	15850575.0	
3179389	Dassault Systèmes	07/12/2015	3179389	15306947.1	
3179668	Institut Mines-Télécom	11/12/2015	3179668	15306992.7	
3179777	NTT DOCOMO, INC.	06/08/2015	3179777	15829259.9	

4128	(No. 2387)	<i>Patents Office Journal</i>		(12/06/2019)	
3180427	Baxalta Incorporated Baxalta GmbH	12/08/2015	3180427	15757369.2	
3180529	Safran Electrical and Power UK Limited	12/08/2015	3180529	15753144.3	
3180636	Robert Bosch GmbH	13/08/2015	3180636	15753585.7	
3180659	ABB Schweiz AG	13/08/2014	3180659	14755622.9	
3180850	Woodward Kempen GmbH	10/08/2015	3180850	15750038.0	German
3181296	Illinois Tool Works Inc.	06/12/2016	3181296	16202440.0	French
3181447	Sikorsky Aircraft Corporation	17/10/2016	3181447	16194132.3	
3181630	Sumitomo Rubber Industries, Ltd.	10/07/2015	3181630	15839827.1	
3181883	IHI Corporation	06/10/2015	3181883	15872410.4	
3182224	MONTRES BREGUET S.A.	18/12/2015	3182224	15201020.3	French
3182508	Fujikura Ltd.	12/09/2016	3182508	16838078.0	
3183254	Boehringer Ingelheim International GmbH	20/08/2015	3183254	15751029.8	
3183398	Form 700 Pty Ltd	19/08/2015	3183398	15834106.5	
3183637	Microchip Technology Germany GmbH	20/08/2015	3183637	15751031.4	
3184888	Telebrands Corporation	09/11/2016	3184888	16197895.2	
3185024	Schneider Electric USA, Inc.	15/12/2016	3185024	16204520.7	
3185105	Immersion Corporation	15/12/2016	3185105	16204276.6	
3185320	STMicroelectronics S.r.l.	20/06/2016	3185320	16175277.9	
3185600	Huawei Technologies Co., Ltd.	17/09/2014	3185600	14902119.8	
3186388	Pioneer Hi-Bred International, Inc.	04/06/2015	3186388	15729707.8	
3186599	Sony Corporation	16/06/2015	3186599	15736658.4	
3186959	Brocade Communications Systems, Inc.	25/08/2015	3186959	15836426.5	
3187606	Kubota Corporation	06/08/2015	3187606	15835002.5	
3187681	Cameron Technologies Limited	30/12/2015	3187681	15307172.5	
3187795	BDR Thermea Group	20/12/2016	3187795	16205544.6	French
3187834	Magneti Marelli S.p.A.	28/12/2016	3187834	16207195.5	
3188462	Huawei Technologies Co., Ltd.	05/11/2014	3188462	14905422.3	
3188468	Huawei Technologies Co., Ltd.	29/08/2014	3188468	14900396.4	
3189580	University of Washington through its Center for Commercialization	04/09/2015	3189580	15837653.3	
3189913	StrikoWestofen GmbH	08/01/2016	3189913	16150561.5	German
3190032	TOYOTA JIDOSHA KABUSHIKI KAISHA	07/11/2016	3190032	16197528.9	
3190194	Institute Of Research Of Iron And Steel, Jiangsu Province/Sha-Steel, Co., Ltd	19/09/2014	3190194	14901343.5	

3190195	Sumitomo Metal Mining Co., Ltd.	23/07/2015	3190195	15831422.9
3190421	Analog Devices, Inc.	22/12/2016	3190421	16206408.3
3190495	Wacom Co., Ltd.	15/12/2016	3190495	16204207.1
3190540	NEOPOST TECHNOLOGIES	06/01/2016	3190540	16305010.7
3190781	Huawei Technologies Co. Ltd.	30/09/2014	3190781	14903347.4
3190986	Ecole Polytechnique Fédérale de Lausanne (EPFL)	03/09/2015	3190986	15778722.7
3192878	GC Lymphotec Inc. National University Corporation Tokyo Medical and Dental University	07/09/2015	3192878	15840654.6
3192976	United Technologies Corporation	15/11/2016	3192976	16198829.0
3193059	Hamilton Sundstrand Corporation	15/01/2016	3193059	16461504.9
3193138	Medvedeva, Marina Vladimirovna Utkin, Konstantin Borisovich	21/04/2016	3193138	16821718.0
3193579	Once Innovations, Inc.	21/07/2015	3193579	15824334.5
3193713	DeVilbiss Healthcare LLC	17/09/2015	3193713	15842322.8
3194043	The Upper Deck Company, LLC	14/09/2015	3194043	15778410.9
3194202	Magna Seating Inc.	21/09/2015	3194202	15775543.0
3194433	City of Hope	18/09/2015	3194433	15775539.8
3194475	The Coca-Cola Company The Georgia Tech Research Corporation	15/09/2015	3194475	15842639.5
3195062	HP Indigo B.V.	18/09/2014	3195062	14771850.6
3195232	Alibaba Group Holding Limited	17/09/2015	3195232	15842760.9
3195325	Holtec International	04/08/2015	3195325	15830356.0
3195502	Xieon Networks S.à r.l.	22/06/2015	3195502	15730182.1
3195821	Gyrus ACMI, Inc. (D.B.A. Olympus Surgical Technologies America)	19/08/2015	3195821	16206030.5
3196066	Kabushiki Kaisha Tokai Rika Denki Seisakusho	07/08/2015	3196066	15842921.7
3196334	Mitsubishi Materials Corporation	18/02/2016	3196334	16755337.9
3196907	Zhejiang Chint Electrics Co., Ltd.	28/01/2015	3196907	15842628.8
3196908	LSIS Co., Ltd.	18/10/2016	3196908	16194388.1
3197009	YAMAHA CORPORATION	19/01/2017	3197009	17152083.6
3197070	Huawei Technologies Co., Ltd.	27/12/2012	3197070	16195533.1
3197619	Crucible Intellectual Property, LLC	25/09/2015	3197619	15777808.5
3198051	Nano Resources Limited	24/09/2015	3198051	15784420.0
3198319	Corning Optical Communications LLC	18/09/2015	3198319	15771445.2

4130	(No. 2387)	<i>Patents Office Journal</i>		(12/06/2019)	
3198455	Xilinx, Inc.	21/09/2015	3198455	15781180.3	
3198876	Orange	21/09/2015	3198876	15778371.3	French
3199341	Hofer Textilveredelungs GmbH	15/11/2016	3199341	16198930.6	German
3199347	Heidelberger Druckmaschinen AG	15/12/2016	3199347	16204222.0	German
3199444	Yaxley Yachts Limited	27/01/2017	3199444	17153441.5	
3199687	Qingdao Haier Drum Washing Machine Co., Ltd.	17/11/2014	3199687	14902866.4	
3199788	TOYOTA JIDOSHA KABUSHIKI KAISHA	24/01/2017	3199788	17152759.1	
3200289	iLOX GmbH	20/01/2017	3200289	17152345.9	German
3200719	Brainlab AG	02/11/2016	3200719	16790600.7	
3200798	The Provost, Fellows, Foundation Scholars, & the other members of Board, of the College of the Holy & Undiv. Trinity of Queen Elizabeth near Dublin	29/09/2015	3200798	15771948.5	
3200969	SIG Technology AG	29/09/2015	3200969	15774575.3	German
3201092	Packsize LLC	24/09/2015	3201092	15846645.8	
3201200	Rohm And Haas Electronic Materials Korea Ltd.	25/09/2015	3201200	15846923.9	
3201393	E. I. du Pont de Nemours and Company	29/09/2015	3201393	15781003.7	
3201969	Johnson Controls Technology Company	15/06/2015	3201969	15738166.6	
3202249	Shanghai Worth Garden Products Co., Ltd.	04/02/2015	3202249	15841036.5	
3202345	Fujifilm Corporation	29/09/2015	3202345	15847163.1	
3202347	Arslan Makina Dokum Sanayi ve Ticaret Limitd Sirketi Yeditepe Universitesi	03/02/2017	3202347	17154521.3	
3202972	Qingdao Jiaonan Haier Washing Machine Co., Ltd.	17/11/2014	3202972	14903028.0	
3203095	NISSAN MOTOR CO., LTD.	03/10/2014	3203095	14903210.4	
3203242	HITACHI HIGH-TECHNOLOGIES CORPORATION	02/09/2015	3203242	15847562.4	
3203733	Huawei Technologies Co., Ltd.	19/08/2013	3203733	16193850.1	
3204697	Airedale International Air Conditioning Ltd	31/07/2015	3204697	15750094.3	
3205110	Telefonaktiebolaget LM Ericsson (publ)	07/10/2014	3205110	14795684.1	
3205166	Telefonaktiebolaget LM Ericsson (publ)	08/10/2014	3205166	14781881.9	

3205229	Chen, Wensheng Perego, Andrea	03/11/2016	3205229	16197030.6	
3205640	Shin-Etsu Chemical Co., Ltd.	06/02/2017	3205640	17154786.2	
3205868	General Electric Company	06/02/2017	3205868	17154880.3	
3205921	lin konepaja Oy	11/02/2016	3205921	16000345.5	
3206734	Debiotech S.A.	15/10/2015	3206734	15801931.5	French
3206919	Federal-Mogul Motorparts LLC	16/10/2015	3206919	15790354.3	
3207489	PCMS Holdings, Inc.	02/10/2015	3207489	15782173.7	
3207794	Shi, Fuyou	15/10/2014	3207794	14903971.1	
3207997	Graco Minnesota Inc.	20/02/2017	3207997	17156992.4	
3208217	Leemans Waste Centre B.V.	19/02/2016	3208217	16156596.5	
3208663	MPS Micro Precision Systems AG	13/02/2017	3208663	17155835.6	French
3208859	Sekisui Chemical Co., Ltd.	14/10/2015	3208859	15850889.5	
3209537	PSA Automobiles SA	08/09/2015	3209537	15775761.8	French
3209755	Dow Global Technologies LLC	22/09/2014	3209755	14902742.7	
3209897	Schaeffler Technologies AG & Co. KG	07/10/2015	3209897	15793699.8	German
3210447	Deere & Company	16/02/2017	3210447	17156436.2	German
3211112	Nippon Steel & Sumitomo Metal Corporation	24/10/2014	3211112	14904512.2	
3211283	Ramspott GmbH & Co. KG	20/02/2017	3211283	17156957.7	German
3211857	Wangsu Science & Technology Co., Ltd.	30/12/2014	3211857	14905704.4	
3212296	Unilever PLC	22/10/2015	3212296	15784070.3	
3213038	Horst Siedle GmbH & Co. KG.	10/09/2015	3213038	15762976.7	German
3213372	Sony Corporation	30/04/2015	3213372	15724076.3	
3213826	CEFLA SOCIETA' COOPERATIVA	28/02/2017	3213826	17158321.4	
3213832	Kawasaki Jukogyo Kabushiki Kaisha	13/10/2015	3213832	15855067.3	
3213995	Guangzhou Xaircraft Technology Co., Ltd.	12/10/2015	3213995	15855700.9	
3214785	Kyynel Oy	02/03/2016	3214785	16158201.0	
3215688	Kemper System GmbH & Co. KG	23/10/2015	3215688	15784707.0	German
3216770	Shin-Etsu Chemical Co., Ltd.	24/02/2017	3216770	17158007.9	
3216846	Turbulence Ltd.	02/11/2015	3216846	15857638.9	
3216969	ROMA KG	10/03/2016	3216969	16020073.9	German
3216990	Honda Motor Co., Ltd.	28/12/2016	3216990	16207091.6	
3217014	MITSUBISHI HEAVY INDUSTRIES THERMAL SYSTEMS, LTD.	12/08/2015	3217014	15866661.0	
3217084	H4X e.U.	15/02/2017	3217084	17156266.3	German

4132	(No. 2387)	<i>Patents Office Journal</i>		(12/06/2019)	
3217184	JFE Steel Corporation	02/11/2015	3217184	15857476.4	
3217258	Framy Inc.	02/02/2017	3217258	17154404.2	
3217405	STMicroelectronics S.r.l.	19/10/2016	3217405	16194682.7	
3217523	Renesas Electronics Corporation	02/03/2017	3217523	17158951.8	
3217537	Mitsubishi Electric Corporation	04/11/2014	3217537	14905635.0	
3218035	Air Liquide Medical Systems	26/02/2016	3218035	16710259.9	French
3218211	Volvo Truck Corporation	14/11/2014	3218211	14906103.8	
3218259	Ecole Polytechnique Fédérale de Lausanne (EPFL)	11/11/2015	3218259	15804232.5	
3218316	Fosbel, Inc.	12/11/2015	3218316	15797790.1	
3218345	Celanese International Corporation	02/10/2015	3218345	15781268.6	
3218939	Goertek, Inc	18/08/2015	3218939	15901411.7	
3219067	Telefonaktiebolaget LM Ericsson (publ)	12/11/2014	3219067	14905893.5	
3219073	Motorola Solutions, Inc.	05/11/2015	3219073	15795298.7	
3219260	Siemens Healthcare GmbH	15/03/2017	3219260	17161123.9	German
3219561	MAN Truck & Bus AG	20/01/2017	3219561	17152362.4	German
3219611	Pratt & Whitney Canada Corp.	17/03/2017	3219611	17161688.1	
3220610	Huawei Technologies Co., Ltd.	29/08/2016	3220610	16854615.8	
3220725	Langner, Manfred H.	15/03/2017	3220725	17161059.5	German
3220729	Aptiv Technologies Limited	09/02/2017	3220729	17155427.2	French
3221466	Nestec S.A.	09/11/2015	3221466	15791598.4	
3222051	LG Electronics Inc.	03/03/2015	3222051	15860445.4	
3222058	Huawei Technologies Co. Ltd.	16/02/2015	3222058	15706195.3	
3222335	FUJITSU LIMITED	20/12/2016	3222335	16205542.0	
3222338	NGK Insulators, Ltd.	03/09/2013	3222338	17168512.6	
3222514	Airbus Operations GmbH	21/03/2016	3222514	16161416.9	
3222517	SZ DJI Technology Co., Ltd.	16/04/2014	3222517	17170326.7	
3222582	Northwestern University	29/08/2007	3222582	16202059.8	
3222703	Boon-Weets N.V.	26/01/2017	3222703	17153394.6	
3223493	ZTE Corporation	05/02/2015	3223493	15862045.0	
3223704	Koninklijke Philips N.V.	29/10/2015	3223704	15787589.9	
3223724	Bio-Medical Engineering (HK) Limited	15/03/2016	3223724	16782508.2	
3224011	BASF SE	24/11/2015	3224011	15819870.5	
3224124	PSA Automobiles SA	09/10/2015	3224124	15788162.4	French
3224169	Koenig & Bauer AG	20/04/2016	3224169	16717919.1	German
3224206	Wallenius Water Innovation AB	16/11/2015	3224206	15816547.2	
3224814	ABB Schweiz AG	27/11/2014	3224814	14805572.6	
3225145	New Ermes Europe S.r.l.	24/03/2017	3225145	17162714.4	

3225760	Kim, Chung Gi	24/11/2015	3225760	15863278.6	
3225784	General Electric Company	26/01/2017	3225784	17153383.9	
3226240	Thales	15/03/2017	3226240	17161122.1	French
3226585	Intel IP Corporation	03/03/2017	3226585	17159211.6	
3226661	Plasma Surgical Investments Limited	22/07/2010	3226661	16203010.0	
3227163	Valeo Schalter und Sensoren GmbH	25/11/2015	3227163	15812970.0	German
3227590	LB Bentley Limited	03/12/2015	3227590	15807993.9	
3227615	PlasmaTreat GmbH	30/11/2015	3227615	15801845.7	German
3227774	Hewlett-Packard Development Company, L.P.	01/12/2014	3227774	14907400.7	
3228205	MRM HK LIMITED	05/04/2017	3228205	17164993.2	
3228228	Pantene Industrial Co., Limited	19/12/2016	3228228	16865278.2	
3228687	The Procter & Gamble Company	08/04/2016	3228687	16164576.7	
3228688	The Procter & Gamble Company	08/04/2016	3228688	16164580.9	
3228689	The Procter & Gamble Company	02/01/2017	3228689	17150063.0	
3229068	Samsung Display Co., Ltd.	05/01/2017	3229068	17150361.8	
3229297	National Institute of Technology Toyo Tanso Co., Ltd.	04/12/2015	3229297	15866112.4	
3229874	SANOFI	09/12/2015	3229874	15807673.7	
3229955	Université des Sciences et Technologies De Lille - Lille 1 Centre National de la Recherche Scientifique Ecole Centrale De Lille	08/12/2015	3229955	15816819.5	French
3230004	Illinois Tool Works Inc.	18/10/2015	3230004	15787405.8	
3230151	Volkswagen Aktiengesellschaft	03/12/2015	3230151	15805161.5	German
3230434	LAVANGA, Vito	14/12/2015	3230434	15839147.4	
3230442	Novozymes A/S	08/12/2015	3230442	15805507.9	
3231002	Verein Zur Förderung Der Elektronenmikroskopie Und Feinstrukturforschung	09/12/2015	3231002	15813239.9	German
3231200	Alibaba Group Holding Limited	04/12/2015	3231200	15868364.9	
3231256	DST Innovations Limited	08/12/2015	3231256	15823520.0	
3231371	Ethicon LLC	13/04/2017	3231371	17166429.5	
3231460	Centre Hospitalier Universitaire Vaudois (CHUV)	12/04/2016	3231460	16164929.8	
3231559	Wera Werkzeuge GmbH	13/04/2017	3231559	17166480.8	German
3231823	tesa SE	10/03/2017	3231823	17160276.6	German

4134	(No. 2387)	<i>Patents Office Journal</i>			(12/06/2019)
3232031	Hino Motors, Ltd. Excell Corporation	03/12/2015	3232031	15867818.5	
3232052	Venpower GmbH	06/04/2017	3232052	17165229.0	German
3232108	Nitto Kohki Co., Ltd.	30/09/2016	3232108	16851889.2	
3232620	Huawei Technologies Co., Ltd.	18/12/2015	3232620	15875103.2	
3232819	Nestec S.A.	17/12/2015	3232819	15813827.1	
3233040	NUTRICOS Technologies	14/12/2015	3233040	15808628.0	
3233453	Compagnie Générale des Etablissements Michelin	13/12/2015	3233453	15825809.5	French
3233491	Saint-Gobain Glass France	14/10/2015	3233491	15777975.2	German
3233499	Université de Bordeaux Institut National de la Santé et de la Recherche Médicale (INSERM)	17/12/2015	3233499	15837086.6	French
3234292	Invisifold Limited	07/12/2015	3234292	15813484.1	
3234415	EagleBurgmann Germany GmbH & Co. KG	03/11/2015	3234415	15788065.9	German
3234559	Oxford University Innovation Limited	16/12/2015	3234559	15813533.5	
3235363	TTI (Macao Commercial Offshore) Limited	20/04/2017	3235363	17167417.9	
3235684	Panasonic Intellectual Property Corporation of America	21/02/2017	3235684	17157070.8	
3235786	Messer Group GmbH	22/03/2017	3235786	17162279.8	German
3235829	Genentech, Inc.	27/04/2009	3235829	17157837.0	
3236015	United Technologies Corporation	24/03/2017	3236015	17162774.8	
3236443	Panasonic Intellectual Property Management Co., Ltd.	19/04/2017	3236443	17167107.6	
3236733	Husqvarna AB	26/11/2015	3236733	15801171.8	
3237284	Esmar Engineering ApS	08/12/2015	3237284	15820429.7	
3237343	L'Air Liquide Société Anonyme pour l'Etude et l'Exploitation des Procédés Georges Claude	22/12/2015	3237343	15823336.1	
3237359	SAFRAN AIRCRAFT ENGINES SAFRAN	18/12/2015	3237359	15823676.0	French
3237618	uniQure IP B.V.	23/12/2015	3237618	15817385.6	
3238367	Telefonaktiebolaget LM Ericsson (publ)	23/12/2014	3238367	14819028.3	
3238661	Boston Scientific Scimed, Inc.	13/10/2009	3238661	17162616.1	
3239050	JAMCO CORPORATION	22/12/2014	3239050	14908922.9	
3239399	Flexiskin GmbH	27/04/2017	3239399	17168421.0	German

3239694	Nihon Kohden Corporation	19/04/2017	3239694	17167028.4	
3240276	Intel Corporation	29/04/2016	3240276	16167713.3	
3240984	Nestec S.A.	23/12/2015	3240984	15817870.7	
3241002	Teknologian Tutkimuskeskus VTT OY	18/12/2015	3241002	15875303.8	
3241024	ECIL Met Tec Ltda.	24/12/2015	3241024	15822950.0	
3241720	NSK Ltd.	30/10/2015	3241720	15883321.0	
3241813	Baustoffwerke Löbnitz GmbH & Co. KG	28/04/2017	3241813	17168723.9	German
3242372	LSIS Co., Ltd.	14/12/2016	3242372	16204098.4	
3242637	Waldemar Link GmbH & Co. KG	24/09/2015	3242637	15767497.9	German
3242773	Titan Medical Inc.	08/01/2016	3242773	16734867.1	
3243191	Sensormatic Electronics, LLC	04/01/2016	3243191	16701698.9	
3244217	Osaka City University	10/09/2014	3244217	17172922.1	
3244657	Huawei Technologies Co. Ltd.	26/01/2015	3244657	15879320.8	
3245082	PSA Automobiles SA	09/12/2015	3245082	15823633.1	French
3245648	Taction Enterprises Inc.	31/12/2015	3245648	15834667.6	
3246079	CARMATT S.r.L.	16/05/2017	3246079	17171381.1	
3246114	Nissan Motor Co., Ltd.	15/01/2015	3246114	15877831.6	
3246840	AO Kaspersky Lab	27/10/2016	3246840	16195894.7	
3246854	A.T Communications Co., Ltd.	13/01/2015	3246854	15877797.9	
3247470	Giroto Brevetti Srl	10/01/2016	3247470	16709564.5	
3247931	Polo S.R.L.	11/01/2016	3247931	16709109.9	
3248344	Telefonaktiebolaget LM Ericsson (publ)	12/01/2015	3248344	15877727.6	
3248512	Bridgestone Corporation	13/01/2016	3248512	16740030.8	
3248521	Gruppo Cimbali S.p.A.	18/04/2017	3248521	17166778.5	
3248770	adidas AG	23/05/2017	3248770	17172474.3	
3248916	Konica Minolta, Inc.	11/04/2017	3248916	17165941.0	
3249066	Kyocera Corporation	25/02/2016	3249066	16755638.0	
3249118	Komatsu Ltd.	28/04/2016	3249118	16814046.5	
3249381	Abbott Laboratories	21/12/2012	3249381	17170691.4	
3249982	Kyocera Corporation	23/08/2013	3249982	17181764.6	
3250179	The Procter & Gamble Company	04/01/2017	3250179	17700757.2	
3250762	BAM International B.V.	27/01/2016	3250762	16713614.2	
3250891	Honeywell Limited	27/01/2016	3250891	16742605.5	
3250911	Oxford University Innovation Limited Universidade Estadual Paulista "Júlio De Mesquita Filho" - UNESP	26/01/2016	3250911	16701879.5	
3251388	Signify Holding B.V.	30/12/2015	3251388	15820184.8	

4136	(No. 2387)	Patents Office Journal	(12/06/2019)		
3251523	Wuhan Polytechnic University	30/05/2017	3251523	17000914.6	
3251700	Merck Sharp & Dohme Corp.	04/09/2012	3251700	17171651.7	
3251834	JFE Steel Corporation	25/03/2016	3251834	16768071.9	
3252066	MEDIVIR AB	02/09/2014	3252066	17176973.0	
3252197	LG Electronics Inc.	30/05/2017	3252197	17173494.0	
3252270	General Electric Company	23/05/2017	3252270	17172397.6	
3252709	Huawei Technologies Co., Ltd.	15/09/2015	3252709	15903820.7	
3253098	Huawei Technologies Co., Ltd.	17/02/2015	3253098	15882328.6	
3253616	PSA AUTOMOBILES S.A.	29/01/2016	3253616	16703171.5	French
3253644	ThyssenKrupp Presta AG thyssenkrupp AG	22/12/2015	3253644	15813871.9	German
3254030	ExxonMobil Upstream Research Company	04/02/2016	3254030	16706096.1	
3254550	Kuhn S.A.	08/06/2017	3254550	17174938.5	French
3254710	ETEX CORPORATION	12/04/2004	3254710	16195867.3	
3254736	Nintendo Co., Ltd.	30/01/2017	3254736	17153682.4	
3254954	Airbus Operations GmbH Airbus Operations Limited	09/06/2016	3254954	16173832.3	
3254976	Focke & Co. (GmbH & Co. KG)	26/05/2017	3254976	17000898.1	German
3255738	Dawon DNS Co., Ltd	21/12/2016	3255738	16205650.1	
3255836	Huawei Technologies Co., Ltd.	29/05/2015	3255836	15893605.4	
3256606	10X Genomics, Inc.	09/02/2016	3256606	16749735.3	
3256708	KOLEV, Nikola	27/01/2016	3256708	16719003.2	
3256834	Nederlandse Organisatie voor toegepast- natuurwetenschappelijk onderzoek TNO	08/02/2016	3256834	16715124.0	
3257461	Covidien LP	12/06/2017	3257461	17175428.6	
3257737	Pappagione, Luca	14/06/2017	3257737	17176085.3	
3257753	Pratt & Whitney Canada Corp.	08/06/2017	3257753	17175099.5	
3258681	Hitachi Information & Telecommunication Engineering, Ltd.	25/08/2015	3258681	15899908.6	
3259306	BASF SE	09/02/2016	3259306	16704561.6	
3259538	King Abdullah University of Science and Technology	16/02/2016	3259538	16715082.0	
3259697	Universität des Saarlandes	16/02/2016	3259697	16709293.1	
3259771	Ellenberger & Poensgen GmbH	08/12/2015	3259771	15813300.9	German
3260186	Linde Aktiengesellschaft	23/06/2016	3260186	16001413.0	German
3260360	Althimasse	26/05/2017	3260360	17173066.6	French

3260716	Robert Bosch GmbH	13/06/2017	3260716	17175707.3	German
3260988	Huawei Technologies Co., Ltd.	12/03/2015	3260988	15884269.0	
3261854	Compagnie Générale des Etablissements Michelin	12/02/2016	3261854	16704020.3	French
3261865	Sistemi Sospensioni S.p.A.	26/02/2016	3261865	16706860.0	
3262471	Schuler Pressen GmbH	25/04/2016	3262471	16723033.3	German
3262980	Gollinucci, Giacomo	29/06/2017	3262980	17178872.2	
3263050	Synthes GmbH	01/04/2011	3263050	17185253.6	
3263284	Basso Industry Corp.	16/03/2017	3263284	17161407.6	
3263289	Robert Bosch GmbH	20/06/2017	3263289	17176819.5	German
3263489	Interroll Holding AG	01/07/2016	3263489	16290126.8	
3263719	JFE Steel Corporation	11/12/2015	3263719	15883385.5	
3263752	Oskar Dilo Maschinenfabrik KG	28/06/2016	3263752	16176707.4	German
3264045	NIPPON SEIKI CO., LTD. Honda Motor Co., Ltd.	27/06/2017	3264045	17178222.0	
3264060	Siemens Gamesa Renewable Energy A/S	30/06/2016	3264060	16177071.4	
3264069	Niigata Co., Ltd. Keio University	26/02/2016	3264069	16755681.0	
3264281	Wipro Limited	29/09/2016	3264281	16191604.4	
3264480	Commissariat à l'Energie Atomique et aux Energies Alternatives	18/06/2017	3264480	17176516.7	French
3264512	Commissariat à l'énergie atomique et aux énergies alternatives	30/06/2017	3264512	17179198.1	French
3264707	Huawei Technologies Co., Ltd.	30/03/2015	3264707	15886848.9	
3264716	INTEL Corporation	12/06/2017	3264716	17175598.6	
3265062	Regents of the University of Minnesota Dow Global Technologies LLC Rohm and Haas Company	24/02/2016	3265062	16719554.4	
3265555	TESSA THERAPEUTICS PTE LTD	25/10/2016	3265555	16785490.0	
3266110	Telefonaktiebolaget LM Ericsson (publ)	02/03/2015	3266110	15710961.2	
3266333	The Swatch Group Research and Development Ltd.	07/07/2016	3266333	16178320.4	French
3266762	3V SIGMA S.p.A	03/07/2017	3266762	17179322.7	
3266978	Halliburton Energy Services, Inc.	06/12/2011	3266978	17181146.6	
3267619	MTG AG	05/07/2017	3267619	17179815.0	German
3267842	DewertOkin GmbH	11/03/2016	3267842	16709466.3	German
3267843	DewertOkin GmbH	11/03/2016	3267843	16709468.9	German

4138	(No. 2387)	<i>Patents Office Journal</i>		(12/06/2019)	
3268692	BAE Systems PLC	01/03/2016	3268692	16709498.6	
3268816	Dualitas Ltd.	03/03/2017	3268816	17709776.3	
3269153	Sonova AG	09/03/2015	3269153	15711620.3	
3269299	Nipro Corporation	23/03/2016	3269299	16776271.5	
3269470	Rolls-Royce plc	03/07/2017	3269470	17179361.5	
3269531	Sidel Participations	12/12/2016	3269531	16306667.3	
3269532	Deutsches Zentrum für Luft- und Raumfahrt e.V.	21/06/2017	3269532	17177178.5	German
3270546	Huawei Technologies Co., Ltd.	16/12/2015	3270546	15890646.1	
3270673	Hamilton Sundstrand Corporation	12/07/2017	3270673	17180868.6	
3270910	BASF SE	18/03/2016	3270910	16710443.9	German
3271036	Klarer Freizeitanlagen AG	16/03/2016	3271036	16715467.3	German
3271132	North Thin Ply Technology Sarl	18/03/2016	3271132	16710479.3	
3271600	Schaeffler Technologies AG & Co. KG	08/03/2016	3271600	16714225.6	German
3271604	KNORR-BREMSE Systeme für Nutzfahrzeuge GmbH	18/03/2016	3271604	16710439.7	German
3271731	Mediagnost Gesellschaft für Forschung und Herstellung von Diagnostika GmbH	23/12/2015	3271731	15820531.0	German
3272200	Pilzkulturen Wesjohann GbR	16/02/2012	3272200	17186255.0	German
3272312	Bolton Medical, Inc.	16/11/2012	3272312	17159404.7	
3272556	Continental Reifen Deutschland GmbH	29/05/2017	3272556	17173228.2	German
3272622	Unique Product & Design Co., Ltd.	08/06/2017	3272622	17174957.5	
3273877	Goble, E. Marlowe	25/03/2016	3273877	16718745.9	
3273879	DePuy Ireland Unlimited Company	03/02/2016	3273879	16702725.9	
3275099	Qualcomm Incorporated	25/03/2016	3275099	16714196.9	
3275498	St. Jude Medical International Holding S.à r.l.	30/04/2014	3275498	17191723.0	
3275650	FUJIFILM Corporation	24/02/2016	3275650	16771988.9	
3275663	CANON KABUSHIKI KAISHA	26/07/2017	3275663	17183376.7	
3275970	SFC Co., Ltd.	27/07/2017	3275970	17183553.1	
3276071	LG Electronics Inc.	19/07/2017	3276071	17182103.6	
3276403	LG Electronics Inc.	26/11/2014	3276403	17190750.4	
3276746	Murata Manufacturing Co., Ltd.	12/03/2010	3276746	17190125.9	
3277020	Huawei Technologies Co., Ltd.	28/07/2017	3277020	17183712.3	
3277137	Bravilor Holding B.V.	10/03/2016	3277137	16718511.5	
3277215	Dentsply DeTrey GmbH	31/03/2016	3277215	16712890.9	
3277560	E4V	31/03/2016	3277560	16720159.9	French

3277590	LINPAC Packaging Limited	01/04/2016	3277590	16720470.0	
3277872	Pimsa Otomotiv Tekstilleri Sanay Ve Ticaret Anonim Sirketi	04/10/2016	3277872	16805543.2	
3278058	X Development LLC	30/03/2016	3278058	16716122.3	
3278598	British Telecommunications public limited company	30/03/2016	3278598	16712881.8	
3278630	Teledyne e2v (UK) Limited	31/03/2016	3278630	16715064.8	
3278662	Guangzhou Institute of Energy Conversion, Chinese Academy of Sciences	24/06/2016	3278662	16897468.1	
3279059	JTEKT CORPORATION	30/06/2017	3279059	17179040.5	
3279608	Murata Manufacturing Co., Ltd.	27/06/2013	3279608	17184146.3	
3279742	Kyocera Document Solutions Inc.	25/07/2017	3279742	17182983.1	
3280177	Alcatel Lucent	01/08/2016	3280177	16305995.9	
3280586	Covestro Deutschland AG	06/04/2016	3280586	16714433.6	
3280706	Bostik SA	05/04/2016	3280706	16722280.1	French
3280819	Illumina, Inc.	07/04/2016	3280819	16717764.1	
3280838	BSH Hausgeräte GmbH	29/03/2016	3280838	16711851.2	German
3280858	MULTIMATIC INC.	09/04/2015	3280858	15718403.7	
3280962	The Sure Chill Company Limited	04/04/2016	3280962	16717213.9	
3281796	Seiko Epson Corporation	10/08/2017	3281796	17185714.7	
3281816	TOYOTA JIDOSHA KABUSHIKI KAISHA	11/04/2017	3281816	17165872.7	
3282095	Rolls-Royce Deutschland Ltd & Co KG	08/08/2017	3282095	17185263.5	German
3282190	United Technologies Corporation	03/07/2015	3282190	17184965.6	
3282191	General Electric Company	20/06/2017	3282191	17176815.3	
3282885	L'Oréal	15/04/2016	3282885	16716601.6	
3283186	Traxxas LP	18/04/2016	3283186	16718963.8	
3283187	Traxxas LP	18/04/2016	3283187	16718964.6	
3283240	TRUMPF Maschinen Austria GmbH & Co. KG.	13/04/2016	3283240	16724267.6	German
3283458	Dow Agrosiences LLC	07/04/2016	3283458	16718097.5	
3283459	Dow Agrosiences LLC	07/04/2016	3283459	16718098.3	
3283460	Dow Agrosiences LLC	07/04/2016	3283460	16718785.5	
3283567	SABIC Global Technologies B.V.	12/04/2016	3283567	16715551.4	
3283634	Janssen Vaccines & Prevention B.V.	12/04/2016	3283634	16719791.2	
3283702	Mohorn, Wilhelm Mohorn, Caroline	15/04/2016	3283702	16716861.6	German

4140	(No. 2387)	<i>Patents Office Journal</i>			(12/06/2019)
3284630	CYBEX GmbH	13/06/2013	3284630	17194344.2	German
3284770	ARKEMA FRANCE	14/04/2015	3284770	17191086.2	French
3285046	Robert Bosch GmbH	27/07/2017	3285046	17183441.9	German
3285178	Huawei Technologies Co., Ltd.	18/03/2016	3285178	16779500.4	
3285341	FUJIKURA LTD.	28/05/2014	3285341	17192557.1	
3285460	Capital One Services, LLC	15/08/2017	3285460	17186319.4	
3285608	Nike Innovate C.V.	20/04/2016	3285608	16721563.1	
3285681	Kulzer GmbH	19/04/2016	3285681	16717155.2	German
3286243	Covestro Deutschland AG	21/04/2016	3286243	16717411.9	
3286285	Exxonmobil Research And Engineering Company	05/04/2016	3286285	16716783.2	
3286354	Arkema France	08/04/2016	3286354	16733125.5	French
3286786	SanDisk Technologies LLC	06/06/2016	3286786	16730173.8	
3287285	Konica Minolta, Inc.	12/04/2016	3287285	16783053.8	
3287588	BAUER Maschinen GmbH	24/08/2016	3287588	16185467.4	German
3287734	Sentry Solutions Products Group LLC	23/08/2017	3287734	17187541.2	
3287735	Sentry Solutions Products Group LLC	23/08/2017	3287735	17187543.8	
3287880	Fujitsu Limited	21/04/2015	3287880	15889841.1	
3288279	Foxconn (Kunshan) Computer Connector Co., Ltd. Foxconn Interconnect Technology Limited	20/07/2017	3288279	17182321.4	
3288652	Microsoft Technology Licensing, LLC	07/04/2016	3288652	16716444.1	
3289060	3M Innovative Properties Company	26/04/2016	3289060	16724157.9	
3289061	3M Innovative Properties Company	26/04/2016	3289061	16724158.7	
3289124	Trützschler GmbH & Co. KG	24/02/2016	3289124	16706803.0	German
3289176	Zilift Holdings Limited	27/04/2016	3289176	16720499.9	
3289591	Framatome GmbH	30/04/2015	3289591	15720329.0	
3289918	BaByliss Faco sprl	04/11/2016	3289918	16197399.5	
3290174	SWISS KRONO Tec AG	02/09/2016	3290174	16186925.0	German
3290307	Reich GmbH Regel- und Sicherheitstechnik	10/08/2017	3290307	17185666.9	German
3290325	Silverstream Technologies B.V.	30/08/2016	3290325	16186407.9	
3290351	Samwha Plastic Ind. Co.	14/03/2016	3290351	16786636.7	
3290529	Life Technologies Corporation	10/06/2011	3290529	17183001.1	
3290554	Semyung Inc. KIM, Young Min	25/08/2017	3290554	17187987.7	

3291023	BROTHER KOGYO KABUSHIKI KAISHA	22/08/2016	3291023	17172620.1	
3291278	Panasonic Intellectual Property Management Co., Ltd.	18/03/2016	3291278	16786094.9	
3291328	Fujian Nanping Nanfu Battery Co., Ltd.	08/12/2015	3291328	15894823.2	
3291385	KOMAX HOLDING AG	23/08/2017	3291385	17187387.0	German
3291450	Intel Corporation	04/04/2012	3291450	17198130.1	
3291655	INGENICO GROUP	30/08/2017	3291655	17188476.0	French
3291698	Élő, Gábor Ray, Zoltán	06/05/2015	3291698	15728129.6	
3291928	Henn GmbH & Co KG.	29/04/2016	3291928	16728588.1	German
3292124	Bristol-Myers Squibb Company	04/04/2016	3292124	16766105.7	
3292132	FUNDACIÓN MEDINA. Centro de Excelencia en Investigación de Medicamentos Innovadores en Andalucía	09/02/2016	3292132	16705078.0	
3292389	Doosan Babcock Limited	03/05/2016	3292389	16721217.4	
3292404	Sensirion Automotive Solutions AG	03/02/2017	3292404	17702401.5	
3292701	Bose Corporation	29/07/2016	3292701	16750576.7	
3293058	Nissan Motor Manufacturing (UK) Ltd.	11/09/2017	3293058	17190393.3	
3293256	FUJIFILM Cellular Dynamics, Inc.	30/06/2008	3293256	17192886.4	
3293378	Eberspächer North America Inc.	12/09/2017	3293378	17190548.2	
3293411	Nichias Corporation	07/10/2016	3293411	16853738.9	
3293755	Thermo Fisher Scientific (Bremen) GmbH	02/06/2017	3293755	17174330.5	
3294609	Siemens Mobility GmbH	14/06/2016	3294609	16728955.2	German
3295058	Fondazione Istituto Italiano di Tecnologia	12/05/2016	3295058	16731658.7	
3295820	Noxell Corporation	15/09/2016	3295820	16188964.7	
3296109	Hosokawa Yoko Co., Ltd.	12/09/2017	3296109	17190583.9	
3296160	CLAAS Tractor S.A.S.	26/04/2017	3296160	17168181.0	German
3296316	Forschungszentrum Jülich GmbH	10/09/2013	3296316	17001678.6	German
3296407	The Johns Hopkins University	18/02/2005	3296407	17197306.8	
3296542	United Technologies Corporation	19/09/2017	3296542	17191922.8	
3296614	Ledvance GmbH	14/09/2017	3296614	17191071.4	
3296716	Luo, Rong	14/07/2015	3296716	15892298.9	
3296736	SP Technical Research Institute Of Sweden	20/09/2016	3296736	16189761.6	

4142	(No. 2387)	Patents Office Journal	(12/06/2019)		
3297073	LG Chem, Ltd.	23/12/2016	3297073	16879409.7	
3297210	HUAWEI TECHNOLOGIES CO., LTD.	14/09/2017	3297210	17191136.5	
3297829	HP INDIGO B.V.	23/10/2015	3297829	15787526.1	
3297891	Bayerische Motoren Werke Aktiengesellschaft	08/04/2016	3297891	16715517.5	German
3298062	Bostik SA Université de Rennes I Centre National de la Recherche Scientifique	20/04/2016	3298062	16723423.6	French
3298336	Siti - B&T Group S.p.A.	23/05/2016	3298336	16739545.8	
3298751	Microsoft Technology Licensing, LLC	28/06/2016	3298751	16744963.6	
3299202	Raval A.C.S. LTD	21/03/2013	3299202	17198079.0	
3299302	S.P. Automation S.r.l. a Socio Unico	21/09/2017	3299302	17192336.0	
3299513	Samsung Electronics Co., Ltd.	02/06/2015	3299513	15892649.3	
3299898	Toshiba TEC Kabushiki Kaisha KABUSHIKI KAISHA TOSHIBA	22/09/2017	3299898	17192599.3	
3300126	Jiangsu Cherrity Optronics Co., Ltd	18/12/2015	3300126	15901632.8	
3300127	Jiangsu Cherrity Optronics Co., Ltd	16/12/2015	3300127	15901619.5	
3300146	Industrial Technology Research Institute	20/09/2017	3300146	17192136.4	
3300149	NGK Insulators, Ltd.	13/12/2012	3300149	17185353.4	
3300416	Huawei Technologies Co., Ltd.	30/07/2013	3300416	17182536.7	
3300433	NTT DOCOMO, INC.	13/09/2016	3300433	16851140.0	
3300487	Valeo Comfort and Driving Assistance	13/04/2016	3300487	16721460.0	French
3301010	Bernhardt Apparatebau GmbH u. Co.	29/09/2016	3301010	16191575.6	German
3301015	Bombardier Inc. Learjet Inc.	21/06/2013	3301015	17194415.0	
3301037	Graphic Packaging International, LLC	12/03/2013	3301037	17195117.1	
3301212	Chee Siang Industrial Co., Ltd.	27/06/2017	3301212	17178235.2	
3301517	Ricoh Company Ltd.	29/09/2017	3301517	17193962.2	
3301877	Samsung Electronics Co., Ltd.	02/12/2008	3301877	17199186.2	
3302875	Arnold Umformtechnik GmbH & Co. KG	27/05/2016	3302875	16727389.5	German
3302918	Basell Poliolefine Italia S.r.l.	24/05/2016	3302918	16725494.5	
3302997	Giesecke+Devrient Currency Technology GmbH	02/06/2016	3302997	16730682.8	German
3303409	Roquette Frères	03/06/2016	3303409	16741056.2	French

3303877	DSM IP Assets B.V.	27/05/2016	3303877	16726522.2	
3303921	Polidoro S.p.A.	31/05/2016	3303921	16732758.4	
3304398	Osirium Limited	10/01/2017	3304398	17700311.8	
3304574	Hochschule für Angewandte Wissenschaft und Kunst Hildesheim/Holzminde/Göttingen	03/06/2016	3304574	16726873.9	German
3305130	Calligaris S.P.A.	06/10/2017	3305130	17195344.1	
3305155	Eurofilters N.V.	06/10/2016	3305155	16192650.6	German
3305168	Henke-Sass, Wolf GmbH	04/09/2017	3305168	17189190.6	German
3305230	Biosense Webster (Israel), Ltd.	13/03/2014	3305230	17204809.2	
3305636	HONDA MOTOR CO., LTD.	09/08/2017	3305636	17185503.4	
3305690	F. Hoffmann-La Roche AG	07/10/2016	3305690	16192909.6	
3305969	Miele & Cie. KG	28/09/2017	3305969	17193695.8	German
3306008	Trockle, Herbert Theissen, Christoph	28/09/2017	3306008	17193664.4	German
3306232	mitsubishi heavy industries thermal systems, ltd.	03/10/2017	3306232	17194600.7	
3306257	Zhong Shan New Swan Technology Co.Ltd	24/03/2016	3306257	16884595.6	
3306720	Panasonic Corporation	01/06/2016	3306720	16802814.0	
3307017	Whirlpool Corporation TEKA Industrial S.A.	06/10/2016	3307017	16192709.0	
3307125	De' Longhi Appliances S.r.l. Con Unico Socio	10/06/2016	3307125	16735694.8	
3307466	SMS group GmbH	25/05/2016	3307466	16739397.4	German
3307602	ThyssenKrupp Marine Systems GmbH thyssenkrupp AG	03/06/2016	3307602	16726882.0	German
3307604	ThyssenKrupp Presta AG thyssenkrupp AG	03/06/2016	3307604	16728280.5	German
3307922	Mahle International GmbH	10/06/2016	3307922	16732963.0	German
3307923	Siemens Aktiengesellschaft	10/06/2016	3307923	16728937.0	
3308502	Telefonaktiebolaget LM Ericsson (PUBL)	15/06/2015	3308502	15730460.1	
3308850	Alliance Bio Expertise	06/10/2017	3308850	17195135.3	French
3308984	Continental Reifen Deutschland GmbH	17/07/2017	3308984	17181572.3	German
3309096	Asservimentipresse SRL	10/10/2017	3309096	17195723.6	
3309116	Qiu, Diqing	27/01/2017	3309116	17153633.7	
3309170	GENENTECH, INC.	14/12/2006	3309170	17185184.3	

4144	(No. 2387)	Patents Office Journal	(12/06/2019)		
3309270	Hyundai Motor Company	12/12/2016	3309270	16203424.3	
3309369	Yamaha Hatsudoki Kabushiki Kaisha	24/08/2017	3309369	17187629.5	
3309528	WIKA Alexander Wiegand SE & Co. KG	15/09/2017	3309528	17191270.2	German
3309588	Mediso Medical Imaging Systems Kft.	28/08/2017	3309588	17188189.9	
3310399	Commissariat à l'Energie Atomique et aux Energies Alternatives	15/06/2016	3310399	16736798.6	French
3310652	BAE Systems PLC	17/06/2016	3310652	16731643.9	
3311225	Qualcomm Incorporated	15/06/2016	3311225	16732178.5	
3311281	ARM Limited	28/04/2016	3311281	16720505.3	
3312098	Boix Maquinaria Spain, S.L.U.	11/04/2016	3312098	16811064.1	
3312322	Oerlikon Textile GmbH & Co. KG	11/10/2017	3312322	17195863.0	German
3312907	Robert Bosch GmbH	04/10/2017	3312907	17194737.7	German
3312933	TTI Norte, S.L.	19/10/2016	3312933	16382474.1	
3313164	Defrancq, Hubert	17/06/2016	3313164	16733702.1	French
3313893	Contipro a.s.	24/06/2016	3313893	16751149.2	
3313910	Covestro Deutschland AG	22/06/2016	3313910	16731145.5	German
3314606	Amazon Technologies, Inc.	27/06/2016	3314606	16736343.1	
3314682	Blue Solutions	23/06/2016	3314682	16731169.5	French
3314688	Robert Bosch GmbH	25/05/2016	3314688	16725503.3	German
3315041	La Sportiva S.P.A.	24/10/2017	3315041	17197968.5	
3315048	King Slide Works Co., Ltd. King Slide Technology Co., Ltd.	04/07/2017	3315048	17179510.7	
3315383	JTEKT CORPORATION	12/09/2017	3315383	17190713.2	
3315931	Rolls-Royce Deutschland Ltd & Co KG	18/10/2017	3315931	17197043.7	German
3316217	Siemens Healthcare GmbH	27/10/2017	3316217	17198839.7	
3316416	Powertech Industrial Co., Ltd.	04/09/2017	3316416	17189193.0	
3316792	Koninklijke Philips N.V. Volcano Corporation	29/06/2016	3316792	16733531.4	
3316818	Boston Scientific Scimed, Inc.	28/06/2016	3316818	16736720.0	
3316957	GVS S.p.A.	30/06/2016	3316957	16745835.5	
3317171	Innova Patent GmbH	20/06/2016	3317171	16729938.7	German
3317252	Boehringer Ingelheim International GmbH	01/07/2016	3317252	16733966.2	
3317578	GAZTRANSPORT ET TECHNIGAZ	01/07/2016	3317578	16750919.9	French
3318005	Signify Holding B.V.	23/06/2016	3318005	16734590.9	
3318093	QUALCOMM Incorporated	03/06/2016	3318093	16732060.5	
3318237	Unicharm Corporation	23/05/2016	3318237	16817595.8	

3318653	JFE Steel Corporation	20/09/2016	3318653	16850632.7	
3319002	Skeyecode	02/11/2016	3319002	16196957.1	
3319655	Cardiac Pacemakers, Inc.	08/07/2016	3319655	16739666.2	
3319786	VMI Holland B.V.	27/06/2016	3319786	16750511.4	
3319920	Saint-Gobain Glass France	01/07/2016	3319920	16750917.3	French
3319967	Audion Therapeutics Eli Lilly and Company	01/07/2016	3319967	16741742.7	
3320158	Trespa International B.V.	29/06/2016	3320158	16750513.0	
3320181	Safran Aircraft Engines	06/07/2016	3320181	16745791.0	French
3320253	Ergonomic Solutions International Limited	05/07/2016	3320253	16736061.9	
3320461	Sorbonne Université Centre National de la Recherche Scientifique (CNRS)	07/07/2016	3320461	16741563.7	French
3320618	Forschungszentrum Jülich GmbH	05/07/2016	3320618	16742192.4	German
3321041	Makita Corporation	25/10/2017	3321041	17198407.3	
3321089	Miyakoshi Printing Machinery Co., Ltd.	03/04/2017	3321089	17164460.2	
3321196	Nexes Control Design Engineering S.L.U.	14/11/2016	3321196	16382530.0	
3321412	Leifheit AG	09/11/2017	3321412	17200892.2	German
3321464	Europrofili Group S.p.A.	23/10/2017	3321464	17197834.9	
3321603	Mitsubishi Electric Corporation	16/08/2016	3321603	16908357.3	
3322138	Huawei Technologies Co., Ltd.	10/09/2014	3322138	17190716.5	
3322304	Alfred Ritter GmbH & Co. KG	16/07/2015	3322304	15739174.9	German
3322323	Gebäudereinigung Lissowski GmbH	07/04/2016	3322323	16727930.6	German
3322618	Key Safety Systems, Inc.	08/07/2016	3322618	16741484.6	
3322990	Université de Bordeaux INSERM - Institut National de la Santé et de la Recherche Médicale	13/07/2016	3322990	16750957.9	French
3323497	Umicore AG & Co. KG	16/11/2016	3323497	16199053.6	German
3323708	Offshore Windservice A/S	30/10/2017	3323708	17199165.6	
3323978	General Electric Company	03/11/2017	3323978	17199889.1	
3324429	Pezy Computing K.K.	16/07/2015	3324429	15898324.7	
3324728	Spies, Klaus	15/07/2016	3324728	16756566.2	German
3324839	Nihon Kohden Corporation Kyoto University	13/07/2016	3324839	16745513.8	
3324849	Koninklijke Philips N.V.	01/07/2016	3324849	16738225.8	

4146	(No. 2387)	Patents Office Journal	(12/06/2019)		
3325087	Sorbonne Université Centre National de la Recherche Scientifique (C.N.R.S.) INSERM (Institut National de la Santé et de la Recherche Médicale)	18/07/2016	3325087	16741905.0	
3325372	Renata AG	21/07/2016	3325372	16751503.0	
3325413	WashTec Holding GmbH	15/07/2016	3325413	16750629.4	German
3325696	UNIVERSITE PARIS 13 PARIS NORD Centre National de la Recherche Scientifique CNRS	12/07/2016	3325696	16741579.3	French
3325699	SSM Giudici S.r.l.	14/07/2016	3325699	16739458.4	
3325706	Milanese, Pier Antonio	21/07/2016	3325706	16770374.3	
3325999	Thales	23/06/2016	3325999	16734591.7	French
3326162	Drägerwerk AG & Co. KGaA	01/07/2016	3326162	16734196.5	German
3326178	TDK Electronics AG	16/06/2016	3326178	16732553.9	
3326304	Worldvu Satellites Limited	21/07/2016	3326304	16745508.8	
3326336	Telefonaktiebolaget LM Ericsson (publ)	18/07/2016	3326336	16745504.7	
3326779	Technocrats Corporation	28/11/2017	3326779	17203990.1	
3327671	Robert Bosch GmbH	24/10/2017	3327671	17197982.6	German
3327672	Robert Bosch GmbH	24/10/2017	3327672	17198075.8	German
3328222	Hauni Maschinenbau GmbH	25/07/2016	3328222	16745095.6	German
3328314	Koninklijke Philips N.V.	23/06/2016	3328314	16735704.5	
3328339	Maquet GmbH	19/07/2016	3328339	16739508.6	German
3328433	Dow Global Technologies LLC	08/07/2016	3328433	16741762.5	
3328480	Carefusion 303 Inc.	08/07/2016	3328480	16742509.9	
3328488	Medtronic Inc.	29/07/2016	3328488	16748018.5	
3328703	Faiveley Transport Italia S.p.A.	27/07/2016	3328703	16760786.0	
3328957	ARKEMA FRANCE	08/07/2016	3328957	16744808.3	French
3329035	BASF SE	21/07/2016	3329035	16742266.6	
3329475	Inventio AG	26/07/2016	3329475	16750663.3	German
3329493	Société Technique pour l'Energie Atomique	28/07/2016	3329493	16745707.6	French
3329543	Alma Mater Studiorum -Università di Bologna	29/07/2016	3329543	16754330.5	
3329594	Fraunhofer-Gesellschaft zur Förderung der angewandten Forschung e.V.	25/07/2016	3329594	16745677.1	

3329735	I.R.C.A. S.p.A. Industria Resistenze Corazzate e Affini	29/07/2016	3329735	16766376.4	
3329763	HONDA MOTOR CO., LTD.	22/11/2017	3329763	17203151.0	
3330093	Seiko Epson Corporation	28/11/2017	3330093	17204023.0	
3330505	Volvo Construction Equipment AB	29/07/2015	3330505	15899705.6	
3330762	Carl Zeiss SMT GmbH	11/07/2017	3330762	17180813.2	
3331094	KATHREIN Sachsen GmbH	29/11/2017	3331094	17001956.6	German
3331228	Wipro Limited	15/03/2017	3331228	17161227.8	
3331377	Even Santé Industrie	08/08/2016	3331377	16763898.0	French
3331437	Medyria AG	20/07/2016	3331437	16741620.5	
3331463	Tecres S.P.A.	29/07/2016	3331463	16766612.2	
3331654	Granger, Maurice	28/07/2017	3331654	17765209.6	French
3331719	Audi AG	29/06/2016	3331719	16734558.6	German
3331755	Fincantieri Oil & Gas S.p.A.	24/06/2016	3331755	16745831.4	
3331771	Philip Morris Products S.A.	02/08/2016	3331771	16745751.4	
3331893	Universite Clermont Auvergne Enterome Centre National de la Recherche Scientifique (CNRS) Universite de Nantes	05/08/2016	3331893	16750780.5	
3332038	SMS group S.p.A.	03/08/2016	3332038	16766620.5	
3332395	Siemens Schweiz AG	26/07/2016	3332395	16745687.0	German
3332434	Robert Bosch GmbH	03/08/2016	3332434	16745762.1	German
3332480	Dehn + Söhne GmbH + Co. KG	11/03/2016	3332480	16710136.9	German
3332556	Fraunhofer-Gesellschaft zur Förderung der angewandten Forschung e.V.	21/07/2016	3332556	16742274.0	
3332571	Square, Inc.	23/09/2016	3332571	16775952.1	
3332886	Robert Bosch GmbH	07/11/2017	3332886	17200281.8	German
3332984	Bindomatic AB	08/12/2016	3332984	16202897.1	
3333031	Robert Bosch GmbH	09/11/2017	3333031	17200745.2	
3333321	Versabar, Inc.	04/04/2014	3333321	17196112.1	
3333450	MBDA France	28/11/2017	3333450	17290154.8	French
3334645	Givi S.p.A.	28/10/2016	3334645	16823316.1	
3334715	Syngenta Participations AG	08/08/2016	3334715	16747803.1	
3334898	Technip France	09/08/2016	3334898	16763903.8	French
3334982	NRG Energia S.r.l.	12/08/2016	3334982	16781542.2	
3335000	Danieli Automation S.P.A.	10/08/2016	3335000	16781539.8	
3335316	Qualcomm Incorporated	13/07/2016	3335316	16751383.7	

4148	(No. 2387)	<i>Patents Office Journal</i>		(12/06/2019)	
3335594	Industrias Auxiliares, S.A.	02/11/2017	3335594	17199649.9	
3335941	Wang, Liang-Hsiung	13/12/2017	3335941	17207032.8	
3336055	L'AIR LIQUIDE, SOCIÉTÉ ANONYME POUR L'ÉTUDE ET L'EXPLOITATION DES PROCÉDÉS GEORGES CLAUDE	19/12/2016	3336055	16400061.4	German
3338294	Microchip Technology Incorporated	22/08/2016	3338294	16760858.7	
3338352	Microchip Technology Incorporated	22/08/2016	3338352	16757509.1	
3338541	J.D. Irving, Limited	19/12/2017	3338541	17208410.5	
3339182	Airbus Helicopters	23/11/2017	3339182	17203414.2	French
3339424	Eppendorf AG	23/12/2016	3339424	16206714.4	German
3339806	Gestalt Systems GmbH	22/12/2016	3339806	16206179.0	
3340536	Axis AB	20/12/2016	3340536	16205215.3	
3340589	Samsung Electronics Co., Ltd.	21/12/2017	3340589	17209730.5	
3340702	STMicroelectronics S.r.l.	23/11/2017	3340702	17203381.3	
3340837	Iniciativa Exterior 3i S.A.	25/08/2016	3340837	16766993.6	
3341263	ThyssenKrupp Presta AG thyssenkrupp AG	09/08/2016	3341263	16748305.6	German
3341264	ThyssenKrupp Presta AG thyssenkrupp AG	17/08/2016	3341264	16757840.0	German
3341572	Saudi Arabian Oil Company	23/08/2016	3341572	16766409.3	
3341573	Saudi Arabian Oil Company	23/08/2016	3341573	16766413.5	
3341594	PSA AUTOMOBILES S.A.	11/07/2016	3341594	16744821.6	French
3341676	Atlantis Specialist Technologies Proprietary Limited	28/07/2016	3341676	16750267.3	
3343024	Mitsubishi Heavy Industries, Ltd.	20/10/2011	3343024	18152981.9	
3343587	Carling Technologies, Inc.	19/12/2017	3343587	17208284.4	
3344438	Wacker Chemie AG	26/08/2016	3344438	16762753.8	German
3344505	Renault s.a.s.	08/07/2016	3344505	16744815.8	French
3344576	Northrop Grumman Systems Corporation	19/08/2016	3344576	16843214.4	
3344881	FBR Facondrehteile GmbH	05/10/2017	3344881	17791292.0	German
3344899	Kongsberg Automotive AB	03/09/2015	3344899	15756675.3	
3345192	Solvay Specialty Polymers Italy S.p.A.	07/07/2016	3345192	16736155.9	
3345410	Koninklijke Philips N.V.	30/08/2016	3345410	16758158.6	
3345741	XYZprinting, Inc. Kinpo Electronics, Inc.	20/04/2017	3345741	17167321.3	
3345749	Evonik Degussa GmbH	10/01/2017	3345749	17150840.1	German

3345750	Evonik Degussa GmbH	10/01/2017	3345750	17150841.9	German
3346103	Eberspächer Exhaust Technology GmbH & Co. KG	13/12/2017	3346103	17207004.7	German
3346136	IHI Corporation	28/03/2007	3346136	18156937.7	
3346676	Guangdong Oppo Mobile Telecommunications Corp., Ltd	19/09/2017	3346676	17191794.1	
3346845	WP Kemper GmbH	02/09/2016	3346845	16760083.2	German
3346846	WP Kemper GmbH	02/09/2016	3346846	16760084.0	German
3346962	Ehrensperger, Samuel M.	09/09/2016	3346962	16763263.7	German
3347596	Robert Bosch GmbH	20/07/2016	3347596	16741621.3	German
3348967	Sick AG	03/01/2018	3348967	18150223.8	German
3349105	Apple Inc.	09/08/2016	3349105	18155939.4	
3350310	Okinawa Institute of Science and Technology School Corporation	16/09/2016	3350310	16845972.5	
3350552	Endress+Hauser SE+Co. KG	22/06/2016	3350552	16731583.7	German
3351246	Novartis AG	18/02/2002	3351246	18155644.0	
3351704	MOB MONDELIN SAS	09/01/2018	3351704	18150824.3	French
3352882	Aenitis Technologies	23/09/2016	3352882	16777602.0	
3353078	Blueprint Holding B.V.	22/09/2016	3353078	16781866.5	
3353961	Telefonaktiebolaget LM Ericsson (PUBL)	19/08/2016	3353961	16757846.7	
3355002	AGO AG Energie + Anlagen	26/01/2017	3355002	17153311.0	German
3355275	Advanced Micro Devices, Inc.	03/02/2017	3355275	17154680.7	
3355406	Schriebl, Markus Pensold, Andreas	30/01/2017	3355406	17153719.4	German
3355775	Koninklijke Philips N.V.	28/09/2016	3355775	16775636.0	
3357368	All Star C.V.	30/09/2011	3357368	18165245.4	
3359732	Siemens Aktiengesellschaft	26/09/2016	3359732	16774905.0	German
3359809	Lai, At Ba	05/04/2016	3359809	16721340.4	
3359829	Autec S.r.l. Fondriest, Ivan Giovanni	28/09/2016	3359829	16795145.8	
3360257	Audi AG	27/09/2016	3360257	16774624.7	German
3360484	Imaginalis S.r.l.	22/02/2016	3360484	18160848.0	
3361114	C. & E. Fein GmbH	09/01/2018	3361114	18150808.6	German
3363237	Telefonaktiebolaget LM Ericsson (PUBL)	12/10/2016	3363237	16781400.3	
3363748	Schoeller Allibert GmbH	20/02/2017	3363748	17157009.6	German
3364029	Daikin Industries, Ltd.	03/10/2016	3364029	16855286.7	

4150	(No. 2387)	<i>Patents Office Journal</i>		(12/06/2019)	
3364468	Commissariat à l'Energie Atomique et aux Energies Alternatives	13/02/2018	3364468	18156500.3	French
3365593	ZKW Group GmbH	24/10/2016	3365593	16791301.1	German
3365980	Telefonaktiebolaget LM Ericsson (publ)	21/10/2016	3365980	16788252.1	
3366050	GEMALTO SA	27/09/2016	3366050	16775186.6	
3368681	Centrient Pharmaceuticals Netherlands B.V.	17/11/2016	3368681	16797886.5	
3370317	Nexans	03/03/2017	3370317	17305229.1	French
3370612	Koninklijke Philips N.V.	17/10/2016	3370612	16784844.9	
3370840	Pharmalundensis AB	01/11/2016	3370840	16790584.3	
3370981	Pirelli Tyre S.p.A.	25/10/2016	3370981	16810033.7	
3373814	Koninklijke Philips N.V.	02/11/2016	3373814	16790336.8	
3373878	Robotssystem, s.r.o. Haladova, Petra	13/11/2015	3373878	15813244.9	
3375727	Becker Stahl-Service GmbH	13/03/2017	3375727	17160628.8	German
3377126	Marbelle Threads Ltd.	26/07/2017	3377126	17761928.5	
3378595	HEGENSCHEIDT-MFD GmbH	24/03/2017	3378595	17162750.8	German
3379007	Baintex Technologies, S.L.	04/11/2016	3379007	16865822.7	
3379770	STMicroelectronics (Crolles 2) SAS STMicroelectronics (Rousset) SAS	18/08/2017	3379770	17186783.1	French
3382179	Rolls-Royce plc	28/02/2018	3382179	18159114.0	
3382226	Rolls-Royce plc Rolls-Royce Deutschland Ltd & Co KG	31/01/2018	3382226	18154338.0	
3382484	Airbus Helicopters	07/02/2018	3382484	18155496.5	French
3382779	LG Chem, Ltd.	09/12/2016	3382779	16873388.9	
3383795	Wacker Chemie AG	07/11/2016	3383795	16791398.7	German
3385206	Murata Machinery, Ltd.	04/04/2018	3385206	18165655.4	
3385483	Huf Hülsbeck & Fürst GmbH & Co. KG	12/07/2017	3385483	17180979.1	German
3387274	SMS Group GmbH	12/12/2016	3387274	16816625.4	German
3387876	Ofinno Technologies, LLC	12/06/2017	3387876	17733237.6	
3387956	L&P Property Management Company	12/04/2017	3387956	17166198.6	
3388297	Knott GmbH	28/03/2018	3388297	18164512.8	German
3389433	Koninklijke Philips N.V.	10/02/2017	3389433	17703445.1	
3389504	Koninklijke Philips N.V.	01/12/2016	3389504	16805098.7	
3390208	RMBLStrip AB	16/12/2016	3390208	16822945.8	
3390800	Safran Nacelles	14/12/2016	3390800	16825506.5	French
3393624	Klein, Harald	28/07/2015	3393624	15750926.6	German

3394069	Lupin Limited	15/12/2016	3394069	16829437.9	
3395685	The Boeing Company	17/08/2015	3395685	18175308.8	
3397894	Signify Holding B.V.	21/12/2016	3397894	16825405.0	
3399105	Ammann Schweiz AG	04/05/2018	3399105	18170921.3	German
3401214	Bell Helicopter Textron Inc.	21/06/2017	3401214	17177261.9	
3401964	Commissariat à l'Energie Atomique et aux Energies Alternatives Aledia	30/09/2014	3401964	18178576.7	French
3402108	Godo Kaisha IP Bridge 1	18/06/2010	3402108	18181360.1	
3402938	Wilhelm Layher Verwaltungs-GmbH	27/03/2017	3402938	17718817.4	German
3403627	Drylock Technologies NV	13/10/2017	3403627	17196434.9	
3409230	Siemens Healthcare GmbH	31/05/2017	3409230	17173787.7	German
3409405	Panasonic Intellectual Property Management Co., Ltd.	29/03/2018	3409405	18164872.6	
3410458	Sick AG	02/06/2017	3410458	17174254.7	German
3411512	PLATIT a.s.	26/01/2017	3411512	17706405.2	
3411742	Google LLC	05/12/2016	3411742	16819764.8	
3413756	HTS Hans Torgersen & Sønn AS	09/02/2017	3413756	17704722.2	
3414013	Loesche GmbH	08/02/2016	3414013	16706546.5	German
3416486	Battelle UK Limited Mitsui AgriScience International S.A./N.V.	21/06/2017	3416486	17733415.8	
3421189	Sick AG	28/06/2017	3421189	17178332.7	German
3422206	Deutsche Telekom AG	27/06/2017	3422206	17178243.6	
3433321	Wacker Chemie AG	06/03/2017	3433321	17708815.0	German
3442249	SKIDATA AG	07/08/2017	3442249	17185122.3	German
3447439	Modellbau Mayer GmbH	24/08/2017	3447439	17187843.2	German
3456033	AUDI AG	20/07/2017	3456033	17742423.1	German

Deemed to have been Withdrawn - Section 23(9)

- 20170221 A lifting load alarm device. GERARD GERAGHTY
S20180066 A bale separation and feeding apparatus. NICK RACKARD

Refused - Section 31(1)

- 20080495 Int. Cl. (2019.01)**A61B 17/03**. A closure device. Vivasure Medical Limited
20130362 Int. Cl. (2019.01)**A61G 7/00**. Extendable frame, kit and method of use.
HELEN MARGARET GUTTERIDGE; PHILIP GARETH LLEWELLYN
GUTTERIDGE
20160037 Int. Cl. (2019.01)**G06F 12/00; G06F 3/00**. Logical block address mapping
for hard disk drives. HGST NETHERLANDS B.V.
20160087 Int. Cl. (2019.01)**G06F 17/00**. Indirection data structures to manage file
system metadata. HGST NETHERLANDS B.V.
20160113 Int. Cl. (2019.01)**B82Y 25/00; G11B 5/00; G11C 11/00; H01F 10/00;**
H01L 43/00. Tunneling magnetoresistive (tmr)device with magnesium
oxide tunneling barrier layer and free layer having insertion layer. HGST
NETHERLANDS B.V.
20180226 Int. Cl. (2019.01)**F03D 1/00; F03D 7/00**. An apparatus for improving the
performance of a horizontal axis wind generator. PETER J. LYNCH

**Applications Lapsed Through Non-Payment of Renewal Fees
Section (35) 1**

- S20150195** Int. Cl. (2019.01) **H02J 3/00**. A method for global signal selection in microgrid control. ABB
AB
-

Request for Grant of Supplementary Protection Certificate

The name and address of the requestor follow the number allocated to the request. The date in brackets following the name and address is the date of receipt of the request. The Patent number is that under which the product in respect of which a certificate is sought is, allegedly, protected. Market Authorisation references in respect of the product concerned are also shown.

2019029 BAYER HEALTHCARE LLC, 100 Bayer Boulevard, Whippany,
New Jersey 07981-0915, United States of America
(10 May 2019)
Patent No: 1824988; SITE-DIRECTED MODIFICATION OF FVIII
Product: Damoctocog alfa pegol
Market Authorisation: Ireland EU/1/18/1324, 26/11/2018

Supplementary Protection Certificates Granted

The name and address of the grantee follows the number allocated to the application for grant of a certificate; this number applies also to the granted certificate. The date in brackets following the name and address is the date of grant of the certificate. The number of the basic Patent and the title of the invention are followed by the name of the product for which the certificate is granted. Market authorisation references in respect of the product concerned are also shown, followed by the date of expiry of the certificate.

2016048 Bioverativ Therapeutics Inc., 225 2nd Avenue, Waltham MA 02451, United
States of America
(16/05/2019)
Patent No: 2298347; Clotting factor chimeric proteins for treatment of a
hemostatic disorder
Product: Eftrenonacog alfa
Market Authorisation: Ireland EU/1/16/1098, 12/05/2016
European Union EU/1/16/1098, 12/05/2016
Certificate Expires on: 05/05/2029

Supplementary Protection Certificates Withdrawn

The name and address of the requestor follow the number allocated to the request. The date in brackets following the name and address is the date of receipt of the request. The Patent number is that under which the product in respect of which a certificate is sought is, allegedly, protected. Market Authorisation references in respect of the product concerned are also shown.

2018041 KUDOS PHARMACEUTICALS LIMITED, 1 Francis Crick avenue, Cambridge
Biomedical Campus, Cambridge CB2 0AA, United Kingdom
(07/11/2018)
Patent No: 2346495; PHARMACEUTICAL FORMULATION 514
Product: Amorphous olaparib or a salt or solvate thereof, in a solid dispersion
Market Authorisation: Ireland EU/1/14/959, 08/05/2018

Application for Extension of the Duration of a Supplementary Protection Certificate

The name and address of the applicant follow the number allocated to the Supplementary Protection Certificate (SPC). The date in brackets following the name and address is the date of receipt of the application for an extension of the duration of the SPC. The Patent number is that under which the product in respect of which an extension of the duration of the SPC is sought is, allegedly, protected. Market authorisation references in respect of the product concerned are also shown, followed by the original date of expiry of the certificate.

2019029 BAYER HEALTHCARE LLC, 100 Bayer Boulevard, Whippany, New Jersey
07981-0915, United States of America
(10/05/2019)
Patent No: 1824988; SITE-DIRECTED MODIFICATION OF FVIII
Product: Damoctocog alfa pegol
Market Authorisation: Ireland EU/1/18/1324, 26/11/2018

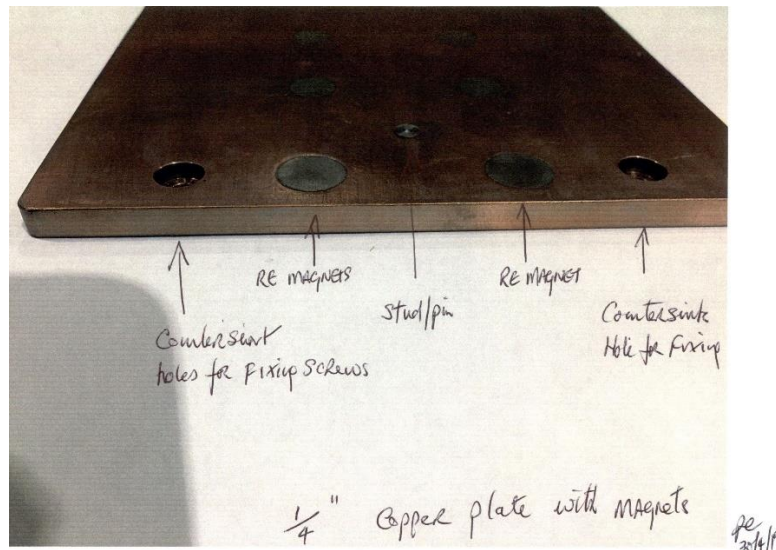
Original SPC Expiry Date:

Designs Registered Under The Industrial Designs Act, 2001

22872 18.02 RORY CONNAUGHTON, 87 Avondale Road, Killiney, Co Dublin, A96 N290, Ireland
Address for service is c/o RORY CONNAUGHTON
87 Avondale Road, Killiney, Co Dublin, A96 N290, Ireland

Date of Registration: 01 May 2019.

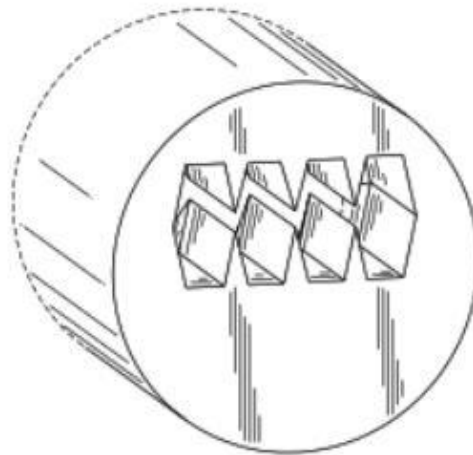
A tool to assist the hot foil printing process. The tool being a copper plate - reduced in thickness from 1/4" (6.35mm) overall thickness by 0.73mm to accommodate a thin steel photo polymer plate. Held in contact with the copper plate by magnets which are pressed into the copper plate. These 'rare earth' magnets are not affected by high temperature and will maintain their polarity and magnetic property



22873 31.00 Land O'Lakes, Inc., 4001 Lexington Avenue N., Arden Hills, Minnesota
55126, United States of America
Address for service is c/o Hanna, Moore + Curley
Garryard House, 25/26 Earlsfort Terrace, Dublin 2 D02 PX51, Ireland

Date of Registration: 18 February 2019.

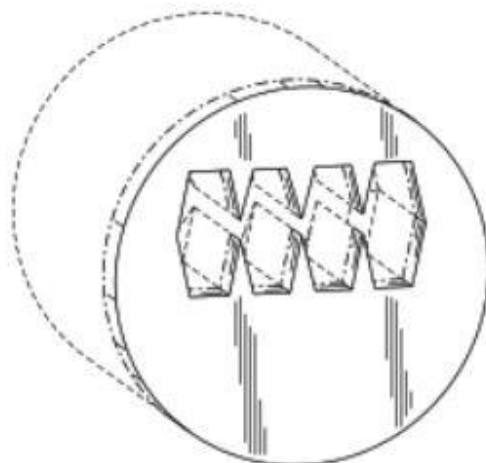
Die which will be used to define the shape of a food product such as a dairy
product
United States of America-22/08/2018



22874 31.00 Land O'Lakes, Inc., 4001 Lexington Avenue N., Arden Hills, Minnesota
55126, United States of America
Address for service is c/o Hanna, Moore + Curley
Garryard House, 25/26 Earlsfort Terrace, Dublin 2 D02 PX51, Ireland

Date of Registration: 18 February 2019.

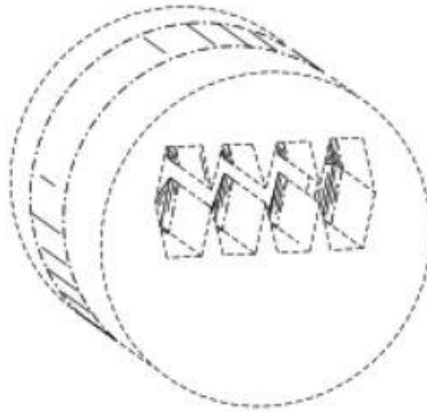
Die which will be used to define the shape of a food product such as a dairy
product
United States of America-22/08/2018



22875 31.00 Land O'Lakes, Inc., 4001 Lexington Avenue N., Arden Hills, Minnesota 55126, United States of America
Address for service is c/o Hanna, Moore + Curley
Garryard House, 25/26 Earlsfort Terrace, Dublin 2 D02 PX51, Ireland

Date of Registration: 18 February 2019.

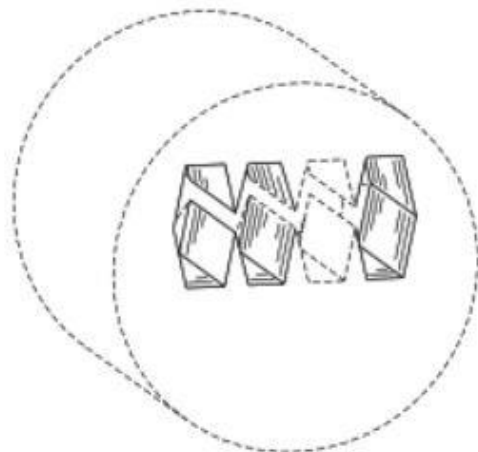
Die which will be used to define the shape of a food product such as a dairy product
United States of America-22/08/2018



22876 31.00 Land O'Lakes, Inc., 4001 Lexington Avenue N., Arden Hills, Minnesota 55126, United States of America
Address for service is c/o Hanna, Moore + Curley
Garryard House, 25/26 Earlsfort Terrace, Dublin 2 D02 PX51, Ireland

Date of Registration: 18 February 2019.

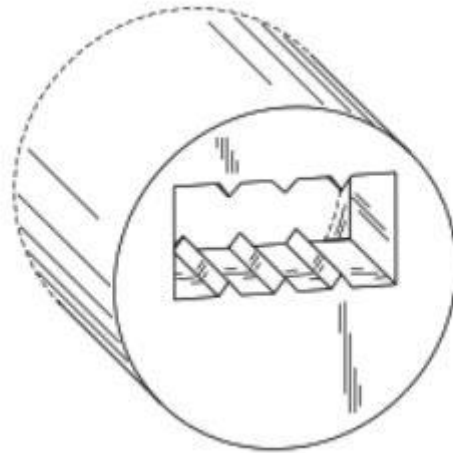
Die which will be used to define the shape of a food product such as a dairy product
United States of America-22/08/2018



22877 31.00 Land O'Lakes, Inc., 4001 Lexington Avenue N., Arden Hills, Minnesota
55126, United States of America
Address for service is c/o Hanna, Moore + Curley
Garryard House, 25/26 Earlsfort Terrace, Dublin 2 D02 PX51, Ireland

Date of Registration: 18 February 2019.

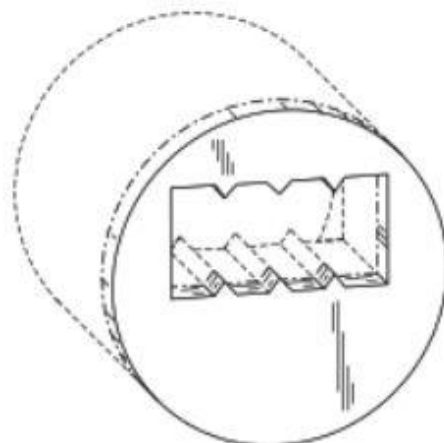
Die which will be used to define the shape of a food product such as a dairy
product
United States of America-22/08/2018



22878 31.00 Land O'Lakes, Inc., 4001 Lexington Avenue N., Arden Hills, Minnesota
55126, United States of America
Address for service is c/o Hanna, Moore + Curley
Garryard House, 25/26 Earlsfort Terrace, Dublin 2 D02 PX51, Ireland

Date of Registration: 18 February 2019.

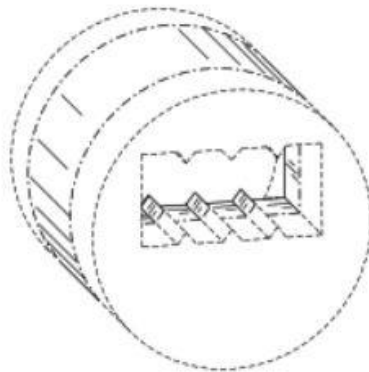
Die which will be used to define the shape of a food product such as a dairy
product
United States of America-22/08/2018



22879 31.00 Land O'Lakes, Inc., 4001 Lexington Avenue N., Arden Hills, Minnesota 55126, United States of America
Address for service is c/o Hanna, Moore + Curley
Garryard House, 25/26 Earlsfort Terrace, Dublin 2 D02 PX51, Ireland

Date of Registration: 18 February 2019.

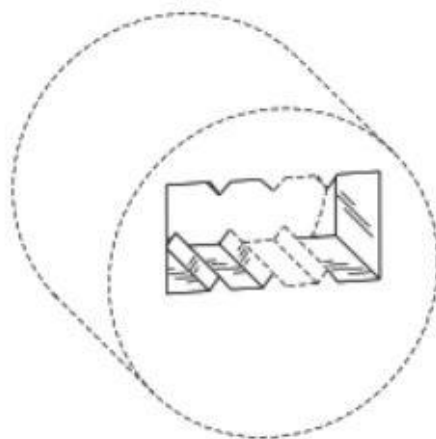
Die which will be used to define the shape of a food product such as a dairy product
United States of America-22/08/2018



22880 31.00 Land O'Lakes, Inc., 4001 Lexington Avenue N., Arden Hills, Minnesota 55126, United States of America
Address for service is c/o Hanna, Moore + Curley
Garryard House, 25/26 Earlsfort Terrace, Dublin 2 D02 PX51, Ireland

Date of Registration: 18 February 2019.

Die which will be used to define the shape of a food product such as a dairy product
United States of America-22/08/2018



Renewal of Designs Registered under the Industrial Designs Act, 2001

Registration renewed for 2nd period of 5 Years

Design Number	Class
21816	19-06, 19-03, 19-01
21817	06-13
21818	07-99

Registrations renewed for 4th period of 5 Years

Design Number	Class
20643	08-07

Patents Office Journal

Irisleabhar Oifig Na bPaitinní

Cuid II

Trádmharcanna

No. 2387

Wednesday, 12 June, 2019

NOTE: *The office does not guarantee the accuracy of its publications nor undertake any responsibility for errors or omissions or their consequences.*

In this Part of the Journal, unless the context otherwise requires, a reference to the 1963 Act means the Trade Marks Act, 1963, a reference to the 1963 Rules means the Trade Marks Rules, 1963, a reference to the 1996 Act means the Trade Marks Act, 1996 and a reference to the 1996 Rules means the Trade Marks Rules, 1996.

Application for Registration of marks published under Section 43(1) of the 1996 Act following acceptance

Notice is hereby given that Applications for the Registration of the undermentioned trade marks have been accepted.

Any person who desires to oppose the registration of these trade marks may within three months from the date of this Journal give notice to the Controller, Patents Office, Government Buildings, Hebron Road, Kilkenny, in accordance with the provisions of Rule 18.

It should be noted that under the provisions of Rule 63(2) no extension of the opposition period is allowed for lodging opposition under Rule 18.

It is desirable before lodging formal opposition that a communication should be addressed to the Applicant affording him an opportunity to withdraw his application for registration. In this way cost of opposition proceedings may be avoided.

KTO

260885 15 November 2018

Class 9. Computer software; game software; gaming software; betting software; gambling software; computer games; computer games programmes.

Class 41. Provision of internet games; gaming services; gambling services; betting services; online gaming services; online gambling services; online betting services; online slot machine games; slot machine games provided through mobile software.

Priority Date Claimed: 05 June 2018 United Kingdom

SBK Brand Ltd, First Floor Block One, Quayside Business Park, Dundalk A91 DP8R, Ireland. Address for service is c/o David Slattery, c/o Wilson Gunn, 5th Floor, Blackfriars House, The Parsonage, Manchester M3 2JA, United Kingdom.

XFMEXPRESS

260886 05 November 2018

Class 9. SD memory cards; non-volatile memory cards; flash memory cards; solid-state drives.

Priority Date Claimed: 19 June 2018 Japan

Toshiba Memory Corporation, 1-1, Shibaura 1-chome, Minato-ku, Tokyo, Japan. Address for service is c/o FRKelly, 27 Clyde Road, Ballsbridge, Dublin 4, Ireland.

FOR:SIGHT

for:sight

Application is for a Series of 2 Trade Marks.

260887 20 February 2019

Class 9. Computer programmes; computer apps, pre-recorded media containing computer

programmes or apps including digital video discs, compact discs and memory sticks; Computer programmes; computer apps, pre-recorded media containing computer programmes or apps including digital video discs, compact discs and memory sticks, all the aforementioned relating to data uploading, downloading and enhanced interactions.

Class 38. Data transmission via the internet.

Class 42. Provision of websites, access to content via websites and portals relating to data and creation of reports in various formats, including XBRL, XML, Excel.

Priority Date Claimed: 31 August 2018 United Kingdom

Arkk Consulting Limited, 44-46 New Inn Yard, London EC2A 3EY, United Kingdom. Address for service is c/o Bromhead Johnson, 57-59 High Street, Twyford, Berkshire RG10 9AJ, United Kingdom.



260888 20 February 2019

Class 25. Clothing.

JIM FOX, 8 AILESBRURY GROVE, BALLSBRIDGE, DUBLIN D4, Ireland. Address for service is c/o JIM FOX, 8 AILESBRURY GROVE, BALLSBRIDGE, DUBLIN D4, Ireland.

Arts 'n Flowers

260889 20 February 2019

Class 16. Arts, crafts and modelling equipment.

Sharon Callis, 2 Ballybailie, Dundalk Road, Ardee A92 A6D8, Ireland. Address for service is c/o Sharon Callis, 2 Ballybailie, Dundalk Road, Ardee A92 A6D8, Ireland.

The mark in use is/will be in the colour(s) Pink, Blue, White, Black, Rosegold, Green

AgileNation

260890 21 February 2019

Class 35. Professional business consultancy services.

Class 42. Professional advisory services relating to computer software; Professional consultancy services relating to computer programming.

Lisa Moloney, Baggotstown, Bruff, Co. Limerick V35AK27, Ireland. Address for service is c/o Lisa Moloney, Baggotstown, Bruff, Co. Limerick V35AK27, Ireland.

Lenny The Leprechaun

260891 21 February 2019

Class 35. Advertising services to create corporate and brand identity.

Ciaran McCreanor, 22 Bellingham Heights, Castlebellingham, Dundalk, Co. Louth A91DC97, Ireland. Address for service is c/o Ciaran McCreanor, 22 Bellingham Heights, Castlebellingham, Dundalk, Co. Louth A91DC97, Ireland.



260892 22 February 2019

Class 9. Mobile apps; Mobile software; Software; Web application software; Platform software.

Gigable Ltd, Dog Patch Labs, Unit 1 the CHQ building, North Wall Quay, Dublin D01 Y6H7, Ireland. Address for service is c/o Gigable Ltd, Dog Patch Labs, Unit 1 the CHQ building, North Wall Quay, Dublin D01 Y6H7, Ireland.

PRIMETOP

260893 20 February 2019

Class 19. Building materials (non-metallic); non-metallic rigid pipes for building; paving; masonry; walling; kerbs and

edges; paving bricks; paving blocks; building blocks; pavers; walling blocks and bricks; paving materials; cobbles; paving slabs; paving flags; concrete paving blocks; materials for use in paving; retaining walls.

Priority Date Claimed: 29 January 2019 United Kingdom

Tobermore Concrete Products Limited, 2 Lisnamuck Road, Tobermore, County Londonderry, Northern Ireland BT45 5QF, United Kingdom. Address for service is c/o FRKelly, 27 Clyde Road, Ballsbridge, Dublin 4, Ireland.

EfStop

EFSTOP

Application is for a Series of 2 Trade Marks.

260894 20 February 2019

Class 19. Building materials (non-metallic); non-metallic rigid pipes for building; paving; masonry; walling; kerbs and edges; paving bricks; paving blocks; building blocks; pavers; walling blocks and bricks; paving materials; cobbles; paving slabs; paving flags; concrete paving blocks; materials for use in paving; retaining walls.

Tobermore Concrete Products Limited, 2 Lisnamuck Road, Tobermore, County Londonderry, Northern Ireland BT45 5QF, United Kingdom. Address for service is c/o FRKelly, 27 Clyde Road, Ballsbridge, Dublin 4, Ireland.

1.1:



2.1:



Application is for a Series of 2 Trade Marks.

260895 20 February 2019

- Class 9. Computer software; computer software platforms; mobile application software; electronic online payment software; Software for processing electronic payments to and from others; business administration software; software applications for club management.
- Class 36. Financial sponsorship of sports events; electronic payment services; processing of electronic payments.
- Class 42. Software as a service; design and development of computer software; hosting and maintenance services; software development programming and implementation services.

Net Beo Teoranta, Unit 11, Fifth Floor, Dock Road, Galway, Ireland. Address for service is c/o FRKelly, 27 Clyde Road, Ballsbridge, Dublin 4, Ireland.

The first mark in the series, in use, is/will be in the colour blue



260896 20 February 2019

- Class 28. Toys; Toy banks; Toy plants; Toy jewellery; Toy cameras; Toy wheelbarrows; Toy projectors; Masks (Toy -); Toy balls; Toy bicycles; Pistols (Toy -); Toy holsters; Toy periscopes; Toy microphones; Toy automobiles; Toy playsets; Toy wagons; Toy brooches; Toy sets; Toy fireworks; Toy hats; Toy windmills; Toy nuchukus; Toy tableware; Toy tents; Toy telescopes; Toy dogs; Toy microscopes; Toy pinwheels; Toy bakeware; Toy garages; Toy cookware; Toy cars; Toy arrows; Toy animals; Toy watches; Toy weapons; Toy telephones; Toy furniture; Toy glockenspiels; Toy figures; Toy guitars; Toy binoculars; Toy harmonicas; Toy houses; Toy pianos; Toy trains; Toy xylophones; Toy scooters; Toy vehicles; Toy food; Toy tools; Toy castles; Toy balloons; Toy putty; Toy dough; Toy pistols; Toy robots; Toy masks; Toy models; Toy birds; Toy gliders; Toy strollers; Toy aeroplanes; Toy airplanes; Toy prams; Toy guns; Toy pushchairs; Toy swords; Toy rockets; Toy armor; Toy fingernails; Toy figurines; Toy horns; Toy trumpets; Toy aircraft; Toy boats; Toy whistles; Toy flowers; Toy fish; Toy lorries; Toy trucks;

Toy mobiles; Toy blocks; Toy dolls; Developmental toys; Puzzles [toys]; Fluffy toys; Windup toys; Rattles [toys]; Bouncing toys; Whistling toys; Noisemakers [toys]; Whistles [toys]; Model toys; Rocking toys; Drawing toys; Wheeled toys; Assembly toys; Modular toys; Mobiles [toys]; Cloth toys; Fabric toys; Intelligent toys; Smart toys; Stuffed toys; Outdoor toys; Musical toys; Action toys; Scooters [toys]; Pet toys; Drones [toys]; Sand toys; Punching toys; Sketching toys; Talking toys; Squeeze toys; Pull toys; Push toys; Educational toys; Electronic toys; Sandbox toys; Water toys; Plastic toys; Plush toys; Mechanical toys; Infant toys; Wooden toys; Cuddly toys; Soft toys; Stacking toys; Construction toys; Crib toys; Dog toys; Bathtub toys; Bath toys; Bendable toys; Inflatable toys; Toy bakeware and toy cookware; Toy hand tools; Toy household apparatus; Toy hoop sets; Toy building structures; Toy building components; Toy camping apparatus; Toy model vehicles; Toy model cars; Toy scale models; Toy construction kits; Toy gardening sets; Cosaques [toy fireworks]; Toy spinning tops; Toy fingerprinting kits; Toy car tracks; Toy vehicle tracks; Toy exercise apparatus; Toy ninja weapons; Toy sewing sets; Toy pedal cars; Toy mail boxes; Toy roller skates; Toy tea sets; Toy gum machines; Toy snow globes; Toy trick noisemakers; Toy air vehicles; Toy action figurines; Toy cable railways; Toy beanbags [Otedama]; Toy action figures; Toy sporting apparatus; Toy foam hands; Toy vehicle playsets; Toy knitting machines; Toy figure playsets; Toy glow sticks; Toy

printing sets; Toy human characters; Toy model kits; Toy vanity cases; Toy wrestling rings; Toy water guns; Toy sling planes; Toy Christmas trees; Toy musical instruments; Toy tool sets; Toy imitation cosmetics; Toy modelling dough; Positionable toy figures; Toy prism glasses; Toy butterfly nets; Stuffed toy animals; Toy artificial fingernails; Toy cap pistols; Toy gun holsters; Stuffed toy bears; Toy racing sets; Toy record players; Toy musical boxes; Toy music boxes; Toy prism spectacles; Toy pistol holsters; Toy air pistols; Toy construction blocks; Toy building blocks; Toy construction sets; Collectable toy figures; Air pistols [toys]; Battery operated toys; Electronic learning toys; Remote control toys; Toys for animals; Tops (Spinning -) [toys]; Stuffed plush toys; Plush stuffed toys; Stuffed animals [toys]; Toys for sandpits; Electronic activity toys; Music box toys; Toys for birds; Disc toss toys; Models being toys; Transforming robotic toys; Blocks (Building -) [toys]; Building bricks [toys]; Puzzle mats [toys]; Interlocking construction toys; Spinning fidget toys; Smart robot toys; Smart plush toys; Radio-controlled toys; Children's toys; Wind-up toys; Water squirting toys; Water-squirting toys; Action figure toys; Lever action toys; Inflatable pool toys; Detonating caps [toys]; Percussion caps [toys]; Spinning tops [toys]; Soap bubbles [toys]; Toys for pets; Controllers for toys; Building blocks [toys]; Plastic character toys; Ride-on toys; Squeezable squeaking toys; Soft sculpture toys; Pop up toys; Rubber character toys;

Electronic action toys; Flying discs [toys]; Mechanical action toys; Inflatable bath toys; Toys for infants; Infant development toys; Toys for babies; Fantasy character toys; Electric action toys; Toys for dogs; Crib mobiles [toys]; Toys for cats; Toy aeroplane launching devices; Toy computers [not working]; Toy traffic control apparatus; Toy building block sets; Toy record cassette players; Motor driven toy animals; Toy cosmetics [not usable]; Modeled plastic toy figurines; Toy torches [not working]; Sit-in toy vehicles; Toy stick gum dispensers; Toy vehicle track sets; Toy buckets and spades; Transforming robotic toy vehicles; Toy model hobbycraft kits; Rockets being toy models; Vehicles (Radio-controlled toy -); Toy supermarket checkout apparatus; Wooden toy building blocks; Clothing for toy figures; Ride-on toy vehicles; Toy model kit cars; Electronically operated toy vehicles; Toy miniature model boats; Interlocking toy construction pieces; Radio-controlled toy robots; Visors for toy helmets; Toy LED light sticks; Toy petrol supply apparatus; Toy intruder alert devices; Toy clocks and watches; Wheels for toy vehicles; Radio-controlled toy helicopters; Four-wheeled toy vehicles; Model toy steam engines; Radio-controlled toy aeroplanes; Radio-controlled toy airplanes; Smart electronic toy vehicles; Remote-controlled toy vehicles; Radio-controlled toy vehicles; Toy bows and arrows; Toy model train sets; Cases for toy vehicles; Toys incorporating money boxes; Plug-in bricks [toys]; Toys relating to magic; Scale model vehicles [toys]; Xylophones being musical

toys; Electronic remote controlled toys; Toys made of metal; Multi-part construction toys; Toys made of rubber; Remote controlled flying toys; Stuffed and plush toys; Pedal-propelled wheeled toys; Toys made of plastics; Clockwork toys [of plastics]; Pinball games machines [toys]; Stuffed bean-filled toys; Clockwork toys [of metal]; Inflatable thin rubber toys; Toys made of wood; Toys made of bamboo; LED light sticks (toys); Plastic models being toys; Pistols (Caps for -) [toys]; Infants' action crib toys; Toys for domestic pets; Toys for pet animals; Bendy balls being toys; Scale model kits [toys]; Wind-up walking toys; Scale model cars [toys]; Caps for pistols [toys]; Novelty toys for parties; Tricycles for infants [toys]; Soft sculpture plush toys; Scale model structures [toys]; Pet toys containing catnip; Scale model buildings [toys]; Inflatable ride-on toys; Battery-operated action toys; Toy walkie-talkies [not functioning]; Children's multiple activity toy; Toy and novelty face masks; Radio controlled toy model cars; Toy bucket and shovel sets; Toy model hobby craft kits; Toy candy bowl mechanical dispensers; Caps [percussive] for toy pistols; Toy musical boxes [play articles]; Electronically operated toy motor vehicles; Electronic remote controlled toy vehicles; Toy vehicles with transforming parts; Toy sets of carpenters' tools; Non-motorised toys for riding; Ride-on toy vehicles (Motorised -); Imitation toilet articles being toys; Toys adapted for educational purposes; Model cars [toys or playthings]; Toys for use in perambulators; Toys sold in

kit form; Action figures [toys or playthings]; Play mats containing infant toys; Imitation toilet preparations being toys; Toys, games, playthings and novelties; Inflatable toys resembling air vehicles; Toys and playthings for pets; Novelty noisemaker toys for parties; Magnetic building blocks being toys; Articles of clothing for toys; Novelty toys for playing jokes; Pet toys made of rope; Children's multiple activity toys; Multiple activity toys for babies; Battery operated remote controlled toy vehicles; Children's ride-on toy vehicles; Model craft kits of toy figures; Toy building blocks capable of interconnection; Craft toys sold in kit form; Toys for use in swimming pools; Miniature car models [toys or playthings]; Toys presented in an advent calendar; Imitation bones being toys for dogs; Toys in the form of puzzles; Toys and playthings for pet animals; Hand throwing foam airplanes being toys; Plush toys with attached comfort blanket; Play mats incorporating infant toys [playthings]; Play mats for use with toy vehicles; Toy environments for use with action figures; Plastic model kits for making toy vehicles; Toys being for sale in kit form; Soft toys in the form of elks; Inflatable toys in the form of boats; Toys in the nature of imitation foodstuffs; Inflatable swimming pools for recreational use [toys]; Toys, games and playthings for pet animals; Portable games and toys incorporating telecommunication functions; Plastic toys for use in the bath; Soft toys in the form of animals; Toy cameras [not capable of taking a photograph]; Children's toy

bicycles other than for transport; Toy figures capable of transforming into various shapes; Play mats for use with toy vehicles [playthings]; Remote controlled toys in the form of vehicles; Party favors in the nature of small toys; Kits of parts [sold complete] for making toy models; Toy model theatres in the form of children's theatre sets.

Robert Hedderman, 36 Beaumont Road, Whitehall, Dublin 9, Ireland. Address for service is c/o Robert Hedderman, 36 Beaumont Road, Whitehall, Dublin 9, Ireland.

Sons

260897 20 February 2019

Class 5. Hair growth preparations (Medicinal -); Medicinal hair growth preparations; Medicinal preparations for stimulating hair growth; Vitamin and mineral supplements.

Priority Date Claimed: 16 September 2018 United Kingdom

Careforsons Ltd, Number 2, 2 Upper Wimpole Street, London W1G 6LD, United Kingdom. Address for service is c/o Careforsons Ltd, Number 2, 2 Upper Wimpole Street, London W1G 6LD, United Kingdom.

The mark in use is/will be in the colour(s) Black font

The Template

260898 23 January 2019

- Class 9. Podcasts; Downloadable podcasts.
- Class 38. Podcasting; Podcasting services; Transmission of podcasts.
- Class 41. Provision of entertainment via podcast.
- Class 42. Hosting of podcasts.

Host PR Ltd. trading as Host & Co., 22 South William Street, Dublin 2, Ireland. Address for service is c/o Host PR Ltd. trading as Host & Co., 22 South William Street, Dublin 2, Ireland.

LAO 海底捞

260899 19 December 2018

- Class 43. Restaurant services; services for providing food and drink; temporary accommodation.

Yuyang Xin, 102 Parnell Street, Dublin 1, Ireland. Address for service is c/o FRKelly, 27 Clyde Road, Ballsbridge, Dublin 4, Ireland.

ARDFALLEN

260901 25 February 2019

- Class 33. Alcoholic beverages (except beers); spirits and liquors; whiskey, Irish whiskey, malt whiskey, blended whiskey,

grain whiskey; rye whiskey, corn whiskey; whiskey based liqueurs; whiskey cocktails.

Aldi Stores (Ireland) Limited, 67-68 Fitzwilliam Square, Dublin 2, Ireland. Address for service is c/o FRKelly, 27 Clyde Road, Ballsbridge, Dublin 4, Ireland.



260902 25 February 2019

- Class 43. Sushi restaurant services.

Kuraudo Foods Limited, 185 Townsend Street, Dublin 2, Ireland. Address for service is c/o Kuraudo Foods Limited, C/o Prudent Associates, 39 Arran Quay, Dublin 7, Ireland.

1.1:



2.1:



Application is for a Series of 2 Trade Marks.

260903 26 February 2019

- Class 24. Printed fabrics; furnishing fabrics; textile goods; bed linen and blankets.
- Class 25. Clothing, footwear and headgear.
- Class 41. Organisation of conferences, exhibitions and conferences; education and instructions services; education and training services; organisation and conducting of seminars; planning of seminars for educational services; arranging and conducting of workshops; arranging and conducting of workshops and seminars; meditation training; teaching of meditation practises; education services relating to meditation.

Una Curley, Ivy House, Ivy Lane, Carrickmacross, Co Monaghan, Ireland. Address for service is c/o FRKelly, 27 Clyde Road, Ballsbridge, Dublin 4, Ireland.

CareMatch Portal

CareMatchPortal

Application is for a Series of 2 Trade Marks.

260904 26 February 2019

- Class 9. Electronic databases; information stored in electronic, digital and magnetic form; computer software and firmware; application software; software, for the creation, management, updating and operating of databases; software, for the creation, management, updating and operating of records systems; software, for the collaboration, management, updating and operation of databases; electronic publications; downloadable sounds, downloadable images, downloadable text and information provided electronically, by telecommunications networks, by online delivery, by way of the Internet or world wide web.
- Class 42. Software as a service; development and design of computer software; quality assurance services; database design; database development services; reconstitution of databases; design of computer database; rental of a database server (to third parties); design of cd-rom electronic format for computer databases; maintenance of databases; updating of software databases; data warehousing; data recovery services; data migration services; data security services; data encryption services; electronic data storage; technical data analysis services; design and

development of data programs and programmes for data processing and transmission; computerised analysis of data; compilation of data-processing programs; research relating to data processing; data conversion of electronic information; writing of programs for data processing; professional consultancy relating to data processing; engineering services relating to data processing; information, consultancy and advisory services relating to all of the aforesaid services.

Antser Tech Solutions Limited, Vicarage Court, 4 Vicarage Road, Edgbaston, Birmingham B15 3ES, United Kingdom. Address for service is c/o Antser Tech Solutions Limited, c/o Barker Brettell LLP, 100 Hagley Road, Edgbaston, Birmingham B16 8QQ, United Kingdom.

antser

260905 26 February 2019

Class 9. Electronic databases; information stored in electronic, digital and magnetic form; computer software and firmware; application software; software, for the creation, management, updating and operating of databases; software, for the creation, management, updating and operating of records systems; software, for the collaboration, management, updating and operation of databases; electronic publications; downloadable sounds, downloadable images, downloadable text and information provided

electronically, by telecommunications networks, by online delivery, by way of the Internet or world wide web.

Class 42. Software as a service; development and design of computer software; quality assurance services; database design; database development services; reconstitution of databases; design of computer database; rental of a database server (to third parties); design of cd-rom electronic format for computer databases; maintenance of databases; updating of software databases; data warehousing; data recovery services; data migration services; data security services; data encryption services; electronic data storage; technical data analysis services; design and development of data programs and programmes for data processing and transmission; computerised analysis of data; compilation of data-processing programs; research relating to data processing; data conversion of electronic information; writing of programs for data processing; professional consultancy relating to data processing; engineering services relating to data processing; information, consultancy and advisory services relating to all of the aforesaid services.

Antser Tech Solutions Limited, Vicarage Court, 4 Vicarage Road, Edgbaston, Birmingham B16 8QQ, United Kingdom. Address for service is c/o Antser Tech Solutions Limited, c/o Barker Brettell LLP, 100 Hagley Road, Edgbaston, Birmingham B16 8QQ, United Kingdom.

1.1:



2.1:



Application is for a Series of 2 Trade Marks.

260906 26 February 2019

Class 9. Electronic databases; information stored in electronic, digital and magnetic form; computer software and firmware; application software; software, for the creation, management, updating and operating of databases; software, for the creation, management, updating and operating of records systems; software, for the collaboration, management, updating and operation of databases; electronic publications; downloadable sounds, downloadable images, downloadable text and information provided electronically, by telecommunications networks, by online delivery, by way of the Internet or world wide web.

Class 42. Software as a service; development and design of computer software; quality assurance services; database design; database development services; reconstitution of databases; design of computer database; rental of a database server (to third parties); design of cd-rom electronic format for computer databases; maintenance of databases; updating of software databases; data warehousing; data recovery

services; data migration services; data security services; data encryption services; electronic data storage; technical data analysis services; design and development of data programs and programmes for data processing and transmission; computerised analysis of data; compilation of data-processing programs; research relating to data processing; data conversion of electronic information; writing of programs for data processing; professional consultancy relating to data processing; engineering services relating to data processing; information, consultancy and advisory services relating to all of the aforesaid services.

Antser Tech Solutions Limited, Vicarage Court, 4 Vicarage Road, Edgbaston, Birmingham B15 3ES, United Kingdom. Address for service is c/o Barker Brettell LLP, 100 Hagley Road, Edgbaston, Birmingham B16 8QQ, United Kingdom.

1.1:



2.1:



3.1:



4.1:



Application is for a Series of 4 Trade Marks.

260907 26 February 2019

Class 9. Electronic databases; information stored in electronic, digital and magnetic form; computer software and firmware; application software;

software, for the creation, management, updating and operating of databases; software, for the creation, management, updating and operating of records systems; software, for the collaboration, management, updating and operation of databases; electronic publications; downloadable sounds, downloadable images, downloadable text and information provided electronically, by telecommunications networks, by online delivery, by way of the Internet or world wide web.

Class 42. Software as a service; development and design of computer software; quality assurance services; database design; database development services; reconstitution of databases; design of computer database; rental of a database server (to third parties); design of cd-rom electronic format for computer databases; maintenance of databases; updating of software databases; data warehousing; data recovery services; data migration services; data security services; data encryption services; electronic data storage; technical data analysis services; design and development of data programs and programmes for data processing and transmission; computerised analysis of data; compilation of data-processing programs; research relating to data processing; data conversion of electronic information; writing of programs for data processing; professional consultancy relating to data processing; engineering services relating to data processing; information, consultancy and advisory services relating to all of the aforesaid services.

Antser Tech Solutions Limited, Vicarage Court, 4 Vicarage Road, Edgbaston, Birmingham B15 3ES, United Kingdom. Address for service is c/o Barker Brettell LLP, 100 Hagley Road, Edgbaston, Birmingham B16 8QQ, United Kingdom.



260908 05 February 2019

- Class 14. Keychains, cufflinks, necklaces, jewellery boxes, earrings, ankle bracelets.
- Class 20. Pillows; cushions.
- Class 24. Bed throws.
- Class 28. Teddy bears; dolls.
- Class 38. Online messaging services.
- Class 45. Funeral arrangement services; legal services relating to wills.

Digital Afterlife Services Ltd, Fitzwilliam Business Center, Suite 9986 Balmoral Industrial Estate, Navan C15 A893, Ireland. Address for service is c/o Digital Afterlife Services Ltd, Fitzwilliam Business Center, Suite 9986 Balmoral Industrial Estate, Navan C15 A893, Ireland.

CLUBFORCE

Clubforce

Application is for a Series of 2 Trade Marks.

260909 20 February 2019

- Class 9. Computer software; computer software platforms for the management of clubs and

associations; mobile application software; electronic online payment software; Software for processing electronic payments to and from others; business administration software; software applications for club management.

- Class 36. Financial sponsorship of sports events; electronic payment services; processing of electronic payments.
- Class 42. Software as a service; design and development of computer software; hosting and maintenance services; software development programming and implementation services.

Net Beo Teoranta, Unit 11, Fifth Floor, Dock Road, Galway, Ireland. Address for service is c/o FRKelly, 27 Clyde Road, Ballsbridge, Dublin 4, Ireland.

PropertyPal

260910 27 February 2019

- Class 35. Advertising.

Errol Maxwell, Unit 2D Jennymount Business Park, North Derby St, Belfast BT15 3HN, United Kingdom. Address for service is c/o Errol Maxwell, Unit 2D Jennymount Business Park, North Derby St, Belfast BT15 3HN, United Kingdom.

CAP'N CRUNCH

260911 27 February 2019

Class 25. Clothing, footwear and headgear.

THE QUAKER OATS COMPANY, Quaker Plaza, 555 West Monroe Street, Chicago, Illinois 60661, United States of America. Address for service is c/o TOMKINS & CO., 5 Dartmouth Road, Dublin 6, Ireland.

1.1:



2.1:



Application is for a Series of 2 Trade Marks.

260912 27 February 2019

Class 25. Clothing, footwear and headgear.

Class 30. Cereals and cereal

preparations; biscuits; snack bars containing oat (confectionery); muesli and muesli preparations; breakfast cereals, ready-to-eat cereal, oatmeal, porridge, grain-based snack food, cereal-based snack food, cookies and crackers; grain-based food bars and cereal bars.

THE QUAKER OATS COMPANY, Quaker Plaza, 555 West Monroe Street, Chicago, Illinois 60661, United States of America. Address for service is c/o TOMKINS & CO., 5 Dartmouth Road, Dublin 6, Ireland.

The mark in use is/will be in the colour(s) blue, white, yellow, gold, pink and red (first mark only)

1.1:



2.1:



Application is for a Series of 2 Trade Marks.

260913 25 February 2019

Class 36. Insurance and reinsurance; insurance and reinsurance broking; risk assessment for insurance; financial services.

Risk Transfer Group Limited, 28 Esplanade, St Helier JE2 3QA, Jersey. Address for service is c/o Joanne Lecky, Dewdney Drew, Christian Finn, c/o Murgitroyd & Company, Unit 1, Block 8, Blanchardstown Corporate Park, Cruiserath Road, Dublin 15, Ireland.

The mark in use is/will be in the colour(s) First mark - black and white. Second mark - shades of blue and bright pink.

equidaq

260914 27 February 2019

Class 36. Online service for the purchase and trading of shares in racehorses.

Michael Young, Fernbrook House, Kilva, Cloyne P25FK71, Ireland. Address for service is c/o Michael Young, Fernbrook House, Kilva, Cloyne P25FK71, Ireland.

WORKHUMAN

260915 21 February 2019

Class 35. Arranging and conducting special events for commercial, promotional or advertising purposes; consulting services in the field of human resources development, namely, for the promotion of employee retention, career growth, and increased productivity for employees and employers; providing incentive award programmes

as part of employee recognition programmes to promote job quality and job productivity, namely, distribution of products to employees of others as part of incentive and employee reward programmes; advertising and promotion for others, operation of employee incentive bonus and motivation schemes.

Class 36. Management and operation of voucher, discount, gift certificate and employee financial reward schemes; issuing gift certificates, gift cards and vouchers which may then be redeemed for goods or services.

Class 41. Education services, namely, developing, providing and conducting education and training programmes, seminars, classes, workshops and conferences in the field of human resources, including employee motivation, personal and professional development and relationship building; entertainment services, namely hosting conferences featuring music, yoga and other forms of entertainment; arranging and conducting business conferences.

Class 42. Creating and maintaining customised websites for others; providing software-as-a-service application for tracking employee performance and managing and measuring employee incentive and recognition programmes.

Globoforce Limited, Unit 19 Beckett Way, Park West Business Park, Dublin 12 D12 H993, Ireland. Address for service is c/o McCann FitzGerald, Riverside One, Sir John Rogerson's Quay, Dublin 2 D02 X576, Ireland.

WORLD TRADE CENTER

260916 16 August 2018

Class 35. Organization of trade fairs, exhibitions, displays, conventions, workshops and conferences for commercial or advertising purposes; economic forecasting; business consultation in relation to import-export, and other business consultancy; market research; business research; rental of office machines and secretarial equipment; secretarial, typing, word processing, photocopying, and telephone answering services; provision of trade and business statistics and other comparable information; compilation of information into computer databases; dissemination of advertising or promotional matter; advertising and the advertising of goods and services of others; providing an on-line computer database featuring international trade information; office management services.

Class 36. Leasing of real estate; real estate agencies; real estate management; apartment house management; apartment house rental; rental of accommodation (apartments); rental of offices (real estate); sale of commercial housing; real estate brokerage; real estate appraisal; housing agencies; management of real estate assets, funds, finances and investments.

Class 37. Real estate development services; real estate property cleaning, repair and maintenance services; building construction; installation and repair of office equipment and apparatus; repair of office

buildings.

World Trade Centers Association, Inc., 120 Broadway, Suite 3350, New York NY, United States of America. Address for service is c/o FRKelly, 27 Clyde Road, Ballsbridge, Dublin 4, Ireland.

FITZWILLIAM 
BEDDING COMPANY

260917 27 February 2019

Class 20. Mattresses.

Murphys Liquidation Furniture Ltd., Unit 4, Riverside Business Centre, Tinahely, Co. Wicklow Y14 F576, Ireland. Address for service is c/o Murphys Liquidation Furniture Ltd., Unit 4, Riverside Business Centre, Tinahely, Co. Wicklow Y14 F576, Ireland.

1.1:



2.1:



Application is for a Series of 2 Trade Marks.

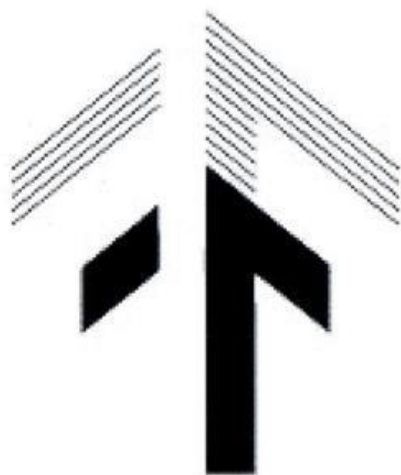
260918 27 February 2019

Class 44. Veterinary assistance and advice; veterinary services;

animal health care services;
 animal pharmacy services;
 care services for animals;
 hygienic and beauty care
 services for animals;
 veterinary diagnostic testing
 and examination services; pet
 care advice; consulting
 services relating to all the
 aforesaid.

Independent Vetcare Limited, The Chocolate Factory,
 Keynsham, Bristol BS31 2AU, United Kingdom.
 Address for service is c/o TOMKINS & CO., 5
 Dartmouth Road, Dublin 6, Ireland.

The mark in use is/will be in the colour(s) blue,
 orange and black (first mark only)



260919 25 February 2019

Class 9. Mobile phone app for
 arranging of loans; mobile
 phone app for financial and
 lending services and for
 managing financial affairs;
 app for a mobile
 communications device;
 interactive software
 application delivered online
 through a web-browser, being
 a downloadable application;
 app delivered to any
 computing device including

desktop, laptop and tablet
 computers as well as mobile
 devices; mobile phone app
 software; downloadable
 computer software for
 accessing, managing,
 controlling and interacting
 with financial services and
 making loan applications.

Class 35. Business intermediary and
 advisory services in the field
 of selling products and
 rendering services.

Class 36. Provision of consumer loans;
 arranging of credit; consumer
 credit services; provision of
 consumer credit; financial
 services; financial affairs;
 monetary affairs; arranging of
 loans over a computer
 network and mobile
 applications; financial
 intermediary services;
 insurance broking; mortgage
 broking; mortgage and
 insurance services; electronic
 transfers of money; foreign
 exchange services; wealth
 management services.

FUTURE FINANCE LOAN CORPORATION
 LIMITED, 6th Floor, 2 Grand Canal Square, Dublin
 2, D02 A342, Ireland. Address for service is c/o
 ARTHUR COX, 10 Earlsfort Terrace, Dublin 2, DO2
 T380, Ireland.

260920 01 March 2019

Class 36. Financial services; financial
 information, advice and
 consultancy services.

Glanbia Ireland Designated Activity Company,
 Ballyconra, Ballyragget, Co. Kilkenny, Ireland.
 Address for service is c/o FRKelly, 27 Clyde Road,
 Ballsbridge, Dublin 4, Ireland.

The mark in use is/will be in the colour(s) navy and orange

IDEAL HALO

260921 26 February 2019

Class 9. Electric, smart, remote and/ or electronic control devices for heating management, room thermostats, thermostat control apparatus, thermal controls, smart meters and heating controls, central heating programmers, heat sensors, heat regulators, temperature monitors for boilers, apparatus for monitoring heat consumption, heat regulating apparatus, temperature sensors, thermal sensors [thermostats], temperature control apparatus [thermostats], touch pads [electronic]; parts and fittings for the foregoing.

Class 11. Controls for boilers; heating boilers; central heating boilers; parts and fittings for the aforesaid goods including controls.

Priority Date Claimed: 26 September 2018 United Kingdom

Ideal Boilers Limited, 69-75 Side, Newcastle Upon Tyne, United Kingdom NE1 3JE, United Kingdom. Address for service is c/o Page, White & Farrer, Bedford House, John Street, London WC1N 2BF, United Kingdom.

Koldklene

260922 01 March 2019

Class 1. Chemical preparations for use in dairy production; chemical preparations for use in the dairy industry; chemical preparations for use in livestock farming; chemicals (agricultural), except fungicides, weed killers, herbicides, insecticides and parasiticides; surface active chemical agents for use in agriculture; bacteriological preparations for use in agriculture; bacterial preparations for use in agriculture; caustic soda; surfactants for use in the manufacture of synthetic detergents; surfactants for use in connection with agricultural pesticides; chemical additives for detergents; detergents for industrial use; chemical products for preventing scale formation; scale removing preparations other than for household purposes; Chemical preparations, namely wetness absorbing chemical powders for treatment of mats and mattresses, concrete stalls, maternity pens and calf hutches.

Class 3. Cleaning and sanitising products; products for the cleaning of premises, farms, parlours, dairies, machinery, pipelines and storage tanks; products for the cleaning and sanitising of premises and equipment for the milking of animals; detergents; detergent soaps; foam, liquid and powder detergents; detergents and other cleaning preparations for dairy farm equipment; detergents for cleaning and sterilising components of a milking

- system, including milklines, teat cups and teat cup holders for attaching to teats of an animal.
- Class 5. Disinfectants; sterilising preparations; germicidal preparations; pesticides; biocides; fungicides; sanitary products for agricultural use; agricultural disinfectants; disinfectants for hygiene purposes; germicidal detergents; sanitising teat dip; teat dip for dairy animals; medicated and sanitising soaps and detergents; sanitisers for dairy farm equipment; disinfectants, antiseptics and preparations for destroying vermin, all for use in connection with dairy animals.

Biocel Ltd., Rockgrove, Little Island, Cork, Ireland.
Address for service is c/o Cruickshank, 8A Sandyford Business Centre, Sandyford, Dublin 18, Ireland.

Parlosan

260923 01 March 2019

- Class 1. Chemical preparations for use in dairy production; chemical preparations for use in the dairy industry; chemical preparations for use in livestock farming; chemicals (agricultural), except fungicides, weed killers, herbicides, insecticides and parasiticides; surface active chemical agents for use in agriculture; bacteriological preparations for use in agriculture; bacterial preparations for use in agriculture; caustic soda; surfactants for use in the manufacture of synthetic

- detergents; surfactants for use in connection with agricultural pesticides; chemical additives for detergents; detergents for industrial use; chemical products for preventing scale formation; scale removing preparations other than for household purposes; Chemical preparations, namely wetness absorbing chemical powders for treatment of mats and mattresses, concrete stalls, maternity pens and calf hutches.
- Class 3. Cleaning and sanitising products; products for the cleaning of premises, farms, parlours, dairies, machinery, pipelines and storage tanks; products for the cleaning and sanitising of premises and equipment for the milking of animals; detergents; detergent soaps; foam, liquid and powder detergents; detergents and other cleaning preparations for dairy farm equipment; detergents for cleaning and sterilising components of a milking system, including milklines, teat cups and teat cup holders for attaching to teats of an animal.
- Class 5. Disinfectants; sterilising preparations; germicidal preparations; pesticides; biocides; fungicides; sanitary products for agricultural use; agricultural disinfectants; disinfectants for hygiene purposes; germicidal detergents; sanitising teat dip; teat dip for dairy animals; medicated and sanitising soaps and detergents; sanitisers for dairy farm equipment; disinfectants, antiseptics and preparations for destroying vermin, all for use in connection with dairy animals.

Biocel Ltd., Rockgrove, Little Island, Cork, Ireland.
Address for service is c/o Cruickshank, 8A Sandyford
Business Centre, Sandyford, Dublin 18, Ireland.

Thermodex

260924 01 March 2019

Class 1. Chemical preparations for use in dairy production; chemical preparations for use in the dairy industry; chemical preparations for use in livestock farming; chemicals (agricultural), except fungicides, weed killers, herbicides, insecticides and parasiticides; surface active chemical agents for use in agriculture; bacteriological preparations for use in agricultural; bacterial preparations for use in agriculture; caustic soda; surfactants for use in the manufacture of synthetic detergents; surfactants for use in connection with agricultural pesticides; chemical additives for detergents; detergents for industrial use; chemical products for preventing scale formation; scale removing preparations other than for household purposes; Chemical preparations, namely wetness absorbing chemical powders for treatment of mats and mattresses, concrete stalls, maternity pens and calf hutches.

Class 3. Cleaning and sanitising products; products for the cleaning of premises, farms, parlours, dairies, machinery, pipelines and storage tanks; products for the cleaning and sanitising of premises and

equipment for the milking of animals; detergents; detergent soaps; foam, liquid and powder detergents; detergents and other cleaning preparations for dairy farm equipment; detergents for cleaning and sterilising components of a milking system, including milklines, teat cups and teat cup holders for attaching to teats of an animal.

Class 5. Disinfectants; sterilising preparations; germicidal preparations; pesticides; biocides; fungicides; sanitary products for agricultural use; agricultural disinfectants; disinfectants for hygiene purposes; germicidal detergents; sanitising teat dip; teat dip for dairy animals; medicated and sanitising soaps and detergents; sanitisers for dairy farm equipment; disinfectants, antiseptics and preparations for destroying vermin, all for use in connection with dairy animals.

Biocel Ltd., Rockgrove, Little Island, Cork, Ireland.
Address for service is c/o Cruickshank, 8A Sandyford
Business Centre, Sandyford, Dublin 18, Ireland.

Cluster Max

260925 01 March 2019

Class 1. Chemical preparations for use in dairy production; chemical preparations for use in the dairy industry; chemical preparations for use in livestock farming; chemicals (agricultural), except fungicides, weed killers, herbicides, insecticides and

parasiticides; surface active chemical agents for use in agriculture; bacteriological preparations for use in agricultural; bacterial preparations for use in agriculture; caustic soda; surfactants for use in the manufacture of synthetic detergents; surfactants for use in connection with agricultural pesticides; chemical additives for detergents; detergents for industrial use; chemical products for preventing scale formation; scale removing preparations other than for household purposes; Chemical preparations, namely wetness absorbing chemical powders for treatment of mats and mattresses, concrete stalls, maternity pens and calf hutches.

Class 3. Cleaning and sanitising products; products for the cleaning of premises, farms, parlours, dairies, machinery, pipelines and storage tanks; products for the cleaning and sanitising of premises and equipment for the milking of animals; detergents; detergent soaps; foam, liquid and powder detergents; detergents and other cleaning preparations for dairy farm equipment; detergents for cleaning and sterilising components of a milking system, including milklines, teat cups and teat cup holders for attaching to teats of an animal.

Class 5. Disinfectants; sterilising preparations; germicidal preparations; pesticides; biocides; fungicides; sanitary products for agricultural use; agricultural disinfectants; disinfectants for hygiene purposes; germicidal detergents; sanitising teat dip; teat dip for dairy animals; medicated and sanitising soaps and detergents;

sanitisers for dairy farm equipment; disinfectants, antiseptics and preparations for destroying vermin, all for use in connection with dairy animals.

Biocel Ltd., Rockgrove, Little Island, Cork, Ireland.
Address for service is c/o Cruickshank, 8A Sandyford Business Centre, Sandyford, Dublin 18, Ireland.

Supersan

260926 01 March 2019

Class 1. Chemical preparations for use in dairy production; chemical preparations for use in the dairy industry; chemical preparations for use in livestock farming; chemicals (agricultural), except fungicides, weed killers, herbicides, insecticides and parasiticides; surface active chemical agents for use in agriculture; bacteriological preparations for use in agricultural; bacterial preparations for use in agriculture; caustic soda; surfactants for use in the manufacture of synthetic detergents; surfactants for use in connection with agricultural pesticides; chemical additives for detergents; detergents for industrial use; chemical products for preventing scale formation; scale removing preparations other than for household purposes; Chemical preparations, namely wetness absorbing chemical powders for treatment of mats and mattresses, concrete stalls, maternity pens and calf hutches.

Class 3. Cleaning and sanitising products; products for the cleaning of premises, farms, parlours, dairies, machinery, pipelines and storage tanks; products for the cleaning and sanitising of premises and equipment for the milking of animals; detergents; detergent soaps; foam, liquid and powder detergents; detergents and other cleaning preparations for dairy farm equipment; detergents for cleaning and sterilising components of a milking system, including milklines, teat cups and teat cup holders for attaching to teats of an animal.

Class 5. Disinfectants; sterilising preparations; germicidal preparations; pesticides; biocides; fungicides; sanitary products for agricultural use; agricultural disinfectants; disinfectants for hygiene purposes; germicidal detergents; sanitising teat dip; teat dip for dairy animals; medicated and sanitising soaps and detergents; sanitisers for dairy farm equipment; disinfectants, antiseptics and preparations for destroying vermin, all for use in connection with dairy animals.

Biocel Ltd., Rockgrove, Little Island, Cork, Ireland.
Address for service is c/o Cruickshank, 8A Sandyford Business Centre, Sandyford, Dublin 18, Ireland.

Thrive Cafe

260927 26 February 2019

Class 43. Cafe.

Lorraine Demetriou, Grove House, Munny Upper, Tullow R93F902, Ireland
Helen Demetriou, Meadowbrook, Laney, Carlow R93W4C6, Ireland.
Address for service is c/o Helen Demetriou, Meadowbrook, Laney, Carlow R93W4C6, Ireland.

IDEAL HELIX

260928 26 February 2019

Class 9. Electric, smart, remote and/ or electronic control devices for heating management; thermostats; room thermostats; thermostat control apparatus; thermal controls; smart meters and heating controls; central heating programmers; heat sensors; heating meters; heat regulators; temperature monitors for boilers and /or central heating radiators; apparatus for monitoring heat consumption; heat regulating apparatus; temperature sensors; thermal sensors [thermostats]; temperature control apparatus [thermostats]; touch pads [electronic]; parts and fittings for the foregoing.

Class 11. Control units [thermostatic valves] for heating installations namely for boilers, cylinders, thermal stores, hybrid boilers, heat recovery apparatus, electrical heating apparatus and heat pumps; controls for heating installations namely boilers, cylinders, thermal stores, hybrid boilers, heat recovery apparatus, electrical heating apparatus and heat pumps; temperature control valves [parts of central heating installations]; valves (temperature sensitive

controls for automatically operating) [parts of heating installations]; heating boilers; heat pumps, hybrid boilers, electric heating apparatus, heat recovery apparatus thermal stores, cylinders, all being heating apparatus; central heating boilers; electric central heating boiler systems and renewable heating apparatus, including controls.

Priority Date Claimed: 12 October 2018 United Kingdom

Ideal Boilers Limited, 69-75 Side, Newcastle Upon Tyne, United Kingdom NE1 3JE, United Kingdom. Address for service is c/o Page, White & Farrer, Bedford House, John Street, London WC1N 2BF, United Kingdom.



260929 26 February 2019

Class 9. Software; Platform software; Software applications; Industrial software; Utility software; Business software; Cloud computing software.

Nebula Innovations Limited, The Mill Enterprise Hub, Drogheda, Louth A92 CD3D, Ireland. Address for service is c/o Nebula Innovations Limited, The Mill Enterprise Hub, Drogheda, Louth A92 CD3D, Ireland.

FRUIT SPOOKS

260930 28 February 2019

Class 32. Non-alcoholic beverages and preparations for making beverages; waters; flavoured waters; vegetable juices (beverages); fruit beverages (non-alcoholic); fruit drinks and fruit juices; fruit flavoured drinks; fruit and/or herbal based beverages; fruit nectars; energy drinks; apéritifs, non-alcoholic; non-alcoholic cocktails; cordials (non-alcoholic beverages); squashes (non-alcoholic beverages); dilutable preparations for beverages; carbonated non-alcoholic drinks; syrups and concentrates for beverages; slush drinks; tablets, powders, pastilles and/or other preparations for making effervescent non-alcoholic drinks; sodas; sherbets (beverages).

Robinsons Soft Drinks Limited, Breakspear Park, Breakspear Way, Hemel Hempstead HP2 4TZ, United Kingdom. Address for service is c/o Lewis Silkin Ireland, 26 Lower Baggot Street, Dublin 2, D02 P211, Ireland.



260931 27 February 2019

- Class 25. Clothing, footwear and headgear.
- Class 41. Organising of horse racing events, provision of horse riding facilities; organising of sporting activities; provision of recreation facilities; timing of sports events; provision of club recreation facilities.

The Trustees For The Time Being Of Galway Racecourse Committee, Racecourse, Ballybrit, Galway, Ireland. Address for service is c/o FRKelly, 27 Clyde Road, Ballsbridge, Dublin 4, Ireland.

1.1:

SISKLIVING

2.1:

SISKLIVING

Application is for a Series of 2 Trade Marks.

260932 08 February 2019

- Class 37. Construction and building services; building maintenance and repair

services provided by a handyman; consultancy services relating to the repair of buildings; advisory services relating to the repair of buildings; pipe installation services; electrical installation services; roof installation services; plumbing installation advisory services; installation services of elevators and lifts; services for the installation of sewers; services for the installation of alarms; services for the installation of drains; installation services of working and building platforms; advisory services relating to the installation of lighting apparatus; supervision of building construction, repair, maintenance and installation; housing and property development services; fitting services; installation of fixtures and fittings for domestic and commercial premises; renovation and restoration services; advisory, information and consultancy services in relation to maintenance, repair and installation services relating to property; consulting and advisory services in respect of the foregoing.

John Sisk & Son (Holdings) Limited, Wilton Works, Naas Road, Clondalkin, Dublin 22, Ireland. Address for service is c/o TOMKINS & CO., 5 Dartmouth Road, Dublin 6, Ireland.

The first mark in the series in use is/will be in the colour(s) red and grey.



260933 25 October 2018

- Class 35. Advertising, business management, business administration, office functions
- Class 38. Telecommunications.
- Class 41. Education, providing of training, entertainment, sporting and cultural activities
- Class 42. Scientific and technological services and research and design relating thereto; industrial analysis and research services; design and development of computer hardware and software.
- Class 45. Personal letter writing; security services for the protection of property and individuals; legal services.

ADRIAN MCCUSKER, 3 St. Flannan's Terrace, Clare Road, Ennis, Co. Clare, Ireland. Address for service is c/o ROISIN HORGAN SOLICITOR, Horgan Solicitors, Henry Street, Kilrush, Co. Clare, Ireland.

The mark in use is/will be in the colours green, orange and white

The180Club

260934 02 March 2019

Class 41. Entertainment services.

Suzanne Zelman, 2 Templeville Avenue, Templeogue, Dublin 6W, Ireland. Address for service is c/o Suzanne Zelman, 2 Templeville Avenue, Templeogue, Dublin 6W, Ireland.

The mark in use is/will be in the colour(s) black



260935 04 March 2019

- Class 42. Software development; Design and development of software for website development; Development of computer software; Computer software design and development; Computer software development for others; Programming of software for website development.

Codepak Solutions, Castlemaine Road, Tralee, Co. Kerry V92 X016, Ireland. Address for service is c/o Codepak Solutions, Castlemaine Road, Tralee, Co. Kerry V92 X016, Ireland.

The mark in use is/will be in the colour(s) #CFD92A, #25B3CE & 767575 logo color on ~FFFFFF background color OR #FFFFFF logo color on gradient background



260936 31 January 2019

Class 5. Nutritional supplements.

Mairtin McCraith, Prospect, Maree, Oranmore, Co. Galway H91 AX01, Ireland. Address for service is c/o Mairtin McCraith, Prospect, Maree, Oranmore, Co. Galway H91 AX01, Ireland.

Registration of this Trade Mark gives no right to the exclusive use of Neuro Rejuvenate

The mark in use is/will be in the colour(s) purple (Pantone 7527C)(60,90,0,0), gray (Pantone Cool Gray 9C)(0,0,0,60) and yellow/amber (Pantone 130C)(3,31,100,0)

Boundary Blade

260937 05 March 2019

Class 9. Electricity measuring instruments.

Aidan Murphy, 184 Kimmage Road West, Dublin 12, Ireland. Address for service is c/o Aidan Murphy, 184 Kimmage Road West, Dublin 12, Ireland.

LAWDIT

260938 05 March 2019

Class 45. Legal services.

Lawdit Solicitors Limited, 4 Brunswick Place, Southampton SO15 2AN, United Kingdom. Address for service is c/o Lawdit Solicitors Limited, 4 Brunswick Place, Southampton SO15 2AN, United Kingdom.

ASSIST

260939 05 March 2019

Class 12. Pedal land vehicles; cycles; bicycles; electric bicycles; tricycles; cycle cars; parts and fittings for all the aforesaid goods; baskets, panniers, bag carriers, luggage carriers, bells, covers, mudguards, pumps, saddles, direction indicators, all for use on pedal land vehicles; stands and kickstands for pedal land vehicles.

Priority Date Claimed: 05 September 2018 Office for Harmonization in the Internal Market

Halfords Limited, Icknield Street Drive, Washford West, Redditch, Worcestershire B98 0DE, United Kingdom. Address for service is c/o Halfords Limited, c/o HGF Limited, 4th Floor, Merchant Exchange, 17-19 Whitworth Street West, Manchester M1 5WG, United Kingdom.



260940 05 March 2019

Class 25. Clothing; sportswear; leisure wear; athletic shirts; athletic shorts; clothing accessories for men, women and children, namely hats, gloves, socks, scarves, belts and neckties; jerseys (clothing); linen (body-garments); ready made linings [parts of clothing]; sports jerseys; jeans; leggings; ponchos; sweat absorbent underclothing; underclothing; underclothing (anti-sweat); underwear; underwear (anti-sweat); wristbands (clothing); compression clothing for sports purposes; baselayer bottoms; baselayer tops; bottoms; bras; headbands; headwear; coats; jackets; raincoats; pants; polo shirts; shirts; shorts; skirts; socks; sweatpants; sweatshirts; t-shirts; tank tops; tops; vests; headgear.

Paul Galvin, 31 Leeson Village, Upper Leeson Street, Dublin 4, Ireland. Address for service is c/o FRKelly, 27 Clyde Road, Ballsbridge, Dublin 4, Ireland.

1.1:



2.1:

THE IRISH PUB SHOP

Application is for a Series of 2 Trade Marks.

260941 04 March 2019

Class 42. Design of brand names.

Declan Mulvany, Gortaree, Aghadoe, Killarney V93Y6TN, Ireland. Address for service is c/o Declan Mulvany, Gortaree, Aghadoe, Killarney V93Y6TN, Ireland.

DRUID

260942 02 March 2019

Class 4. Candles.

Cloon Keen Atelier Ltd, Threadneedle Road, Galway H91WNT7, Ireland. Address for service is c/o MARGARET MANGAN, C/o Cloon Keen Atelier LTD, Threadneedle Road, Galway H91WNT7, Ireland.

1.1:



2.1:



Application is for a Series of 2 Trade Marks.

260943 06 March 2019

Class 33. Alcoholic beverages, except beers.

Diageo Ireland, St James's Gate, Dublin 8, Ireland.
Address for service is c/o William Fry, 2 Grand Canal Square, Dublin D02 A342, Ireland.

The first mark in the series in use is/will be in the colour(s) green, gold and dark blue. The second mark in the series in use is/will be in the colour(s) black and white.

SNAKECURL

260944 06 March 2019

Class 10. Apparatus for achieving physical fitness [for medical use]; Exercise boots [orthopaedic footwear]; Exercisers [expanders] for medical therapy; Hand exercisers for therapeutic use; Exercise boots for medical rehabilitative purposes; Exercise apparatus for medical rehabilitative purposes; Exercise equipment for medical rehabilitative purposes; Physical exercise apparatus, for medical purposes; Physical exercise apparatus for therapeutic use; Exercise simulating apparatus for medical purposes; Physical exercise apparatus for medical purposes; Exercising apparatus for medical rehabilitative purposes; Physical exercise articles for physical training [for medical purposes]; Apparatus for use in exercising muscles for medical use; Medical apparatus for strengthening muscles of the pelvic floor; Apparatus for the therapeutic toning of the muscles; Apparatus for use in toning muscles for medical rehabilitation; Medical apparatus for strengthening muscles of the pelvic floor; Suspensory bandages for use in sports; Knee guards in the nature of supports [other than sports articles]; Suspensory bandages for use in athletics; Body limb compression sleeves for athletic use; Stretcher straps; Apparatus for medical rehabilitation; Physiotherapy and rehabilitation equipment; Exercise machines for

<p>medical rehabilitative purposes; Rehabilitation apparatus (Body -) for medical purposes; Body rehabilitation apparatus for medical purposes; Physiotherapy apparatus; Apparatus for physiotherapeutic treatment; Physiological apparatus for medical use; parts, fittings and accessories for the aforesaid goods.</p> <p>Class 28. gymnastic and sporting articles not included in other classes; sports training apparatus; sports equipment; exercise platforms; exercisers [expanders]; articles for playing golf; golf training aids; body training apparatus [exercise]; body-building apparatus [exercise]; manually operated exercise equipment; indoor fitness apparatus; grips for sporting articles; ankle and wrist weights for exercise; athletic protective sportswear; grips for exercise equipment and apparatus; gloves for sports; protectors for sports use; protectors for athletic use; knee guards [sporting articles]; leg weights for exercising; leg weights [sporting articles]; leg weights for sports training; portable home gymnastic apparatus; body rehabilitation apparatus; Indoor fitness apparatus; Exercise weights; Exercise bands; Exercise platforms; Exercisers [expanders]; Toy exercise apparatus; Manual leg exercisers; Chest expanders [exercisers]; Body toner apparatus [exercise]; Body training apparatus [exercise]; Body-building apparatus [exercise]; Waist trimmer exercise belts; Stress relief exercise balls; Manually operated exercise equipment; Wrist weights for exercise; Physical exercises (Machines for -); Leg weights for exercising; Spring bars for</p>	<p>exercising; Rollers for stationary exercise bicycles; Ankle and wrist weights for exercise; Wrist and ankle weights for exercise; Stress relief balls for hand exercise; Spring bar tension sets for use in exercising; Manually operated rings for lower and upper body resistance exercise; Hand grip strengthener rings; Gymnastic articles; Gymnastic apparatus; Appliances for gymnastics; Gymnastics (Appliances for -); Portable home gymnastic apparatus; Gymnastic and sporting articles; Sports equipment; Sporting articles; Gloves for sports; Sports training apparatus; Athletic protective sportswear; Protective padding for sports; Shin protectors [sports articles]; Forearm guards [sports articles]; Shin guards [sports articles]; Knee guards [sports articles]; Elbow guards [sports articles]; Leg weights [sports articles]; Grips for sporting articles; Sporting articles and equipment; Fist protectors [sporting articles]; Fist guards [sporting articles]; Pads for use in sports; Hand pads for sports use; Hand wraps for sports use; Shin guards for sports use; Shin pads for sports use; Knee pads for sports use; Knee guards for sports use; Face guards for sports use; Shoulder pads for sports use; Leg weights for sports training; Throat protectors for sports use; Body protectors for sports use; Cases adapted for sporting articles; Leg guards adapted for playing sport; Supporters (Men's athletic -) [sports articles]; Shin pads for use in sports; Paddings (Protective -) [parts of sports suits]; Protective paddings [parts of sports suits]; Men's athletic supporters [sports articles]; Cases adapted for</p>
---	---

carrying sporting apparatus; Hand protectors adapted for sporting use; Gloves made specifically for use in playing sports; Protective supports for shoulders and elbows [sports articles]; Arm pads adapted for use in sporting activities; Protectors for elbows for use when skateboarding [sports articles]; Cases in the form of quivers for sports implements; Shock absorption pads for protection against injury [sporting articles]; Apparatus for use in training for the game of rugby [sporting equipment]; Athletic protective sportswear; Rosin used by athletes; Knee pads for athletic use; Knee guards for athletic use; Leg guards for athletic use; Shin guards for athletic use; Shin pads for athletic use; Leg weights for athletic use; Arm protectors for athletic use; Instep guards for athletic use; Wrist guards for athletic use; Yoga straps; Rehabilitation apparatus (Body -); Body rehabilitation apparatus; parts, fittings and accessories for the aforesaid goods.

Martin Ó Súilleabháin, Ermlandweg 11, 48159 Münster, Germany. Address for service is c/o Martin Ó Súilleabháin, Ermlandweg 11, 48159 Münster, Germany.

YUM Creative Agency

260945 07 March 2019

Class 35. Promoting the designs of others by means of providing online portfolios via a website; Providing marketing consulting in the field of

social media; Advertising and marketing services provided by means of social media; Digital marketing; Marketing services provided by means of digital networks.

Class 42. Website design; Computer website design; Website design services; Website design consultancy; Design of websites; Website design and development; Design of homepages and websites; Designing websites for advertising purposes; Design and development of homepages and websites; Design and construction of homepages and websites; Design and development of software for website development; Consultancy relating to the creation and design of websites; Design, creation, hosting and maintenance of websites for others; Providing information in the field of architectural design via a website; Providing a website featuring information in the field of interior design; Providing information in the field of interior design via a website; Planning, design, development and maintenance of online websites for third parties; Consultancy relating to the creation and design of websites for e-commerce; Creating and designing website-based indexes of information for others [information technology services]; Brand design services; Design of brand names; Website development services; Website development for others; Programming of software for website development; Animation design for others; Animation and special-effects design for others.

YUM Creative Limited, The 059, Wexford Road Business Park, Carlow R93 CD54, Ireland. Address for service is c/o YUM Creative Limited, The 059, Wexford Road Business Park, Carlow R93 CD54, Ireland.

Lioncor Developments Limited, 61 Fitzwilliam Square North, Dublin 2, Ireland. Address for service is c/o FRKelly, 27 Clyde Road, Ballsbridge, Dublin 4, Ireland.

1.1:

LIONCOR DEVELOPMENTS

2.1:

Lioncor Developments

Application is for a Series of 2 Trade Marks.

260946 12 February 2019

Class 36. Real estate services; real estate management services; financing of property development; real estate consultancy services; arranging the sale and rental of residential property, new housing, social housing, student accommodation and apartments; real estate management services relating to retail and business outlets; renting of housing and apartments; real estate appraisal; housing agency services.

Class 37. Building construction; general building contractor services; infrastructure building contractor services; installation, repair and maintenance of buildings; social housing construction; house building.

Class 42. Architectural services; architectural project management; house design services.

Class 44. Landscaping services.



Lioncor Developments

260947 12 February 2019

Class 36. Real estate services; real estate management services; financing of property development; real estate consultancy services; arranging the sale and rental of residential property, new housing, social housing, student accommodation and apartments; real estate management services relating to retail and business outlets; renting of housing and apartments; real estate appraisal; housing agency services.

Class 37. Building construction; general building contractor services; infrastructure building contractor services; installation, repair and maintenance of buildings; social housing construction; house building.

Class 42. Architectural services; architectural project management; house design services.

Class 44. Landscaping services.

Lioncor Developments Limited, 61 Fitzwilliam Square North, Dublin 2, Ireland. Address for service is c/o FRKelly, 27 Clyde Road, Ballsbridge, Dublin 4, Ireland.

LUNII**260948** 11 January 2018

- Class 9. Downloadable image files; downloadable music files; games software; electronic publications, downloadable; audio recordings; sound recording apparatus; apparatus for broadcasting sound, data or images; sound recording carriers; computer programs for editing images, sound and video; readers [data processing equipment]; audio headphones and headphones; mains chargers and USB chargers
- Class 16. Scrapbooks; stationery; stickers [stationery]; drawings; books; printed publications
- Class 28. Games and playthings; games (Apparatus for -)
- Class 41. Writing of stories, songs and poems for children, including music composition; education, entertainment; rental of sound recordings; providing of multimedia entertainment programmes via high-speed, wireless and online services; publication of texts, other than publicity texts; publication of books; publication of electronic books and journals on-line; providing on-line electronic publications, not downloadable

LUNII, 16/18 rue Dubrunfaut, F-75012 Paris, France.
Address for service is c/o FRKelly, 27 Clyde Road,
Ballsbridge, Dublin 4, Ireland.

**260949** 01 August 2018

- Class 44. Assessment and diagnosis services for adult Autism Spectrum disorder. The provision of adapted interventions for adults with Autism Spectrum Disorder. Psychological therapy for adults with or without Autism Spectrum Disorder.

Core Clinical, 90 Leinsterwood, Carton House Estate, Maynooth, Co Kildare W23C8P7, Ireland. Address for service is c/o Core Clinical, PO Box 12956, Castleknock, Dublin 15, Ireland.

UVERSITY**260950** 07 March 2019

- Class 36. Providing educational scholarships; financial grant services; educational financial assistance; providing grants, awards and other financial sponsorship in the field of education; providing scholarships for students and in particular adult learners; raising and providing funds for education and for financial support of students and in particular adult learners; provision of financial and grant aid; financial assistance and financial aid in relation to education projects; providing financial grant applications;

assessing proposals for education projects for the purposes of making financial grants and providing sponsorships.

Uversity, IFSC House, Custom House Quay, Dublin 1, Ireland. Address for service is c/o FRKelly, 27 Clyde Road, Ballsbridge, Dublin 4, Ireland.

1.1:



2.1:



Application is for a Series of 2 Trade Marks.

260951 07 March 2019

Class 36. Providing educational scholarships; financial grant services; educational financial assistance; providing grants, awards and other financial sponsorship in the field of education; providing scholarships for students and in particular adult learners; raising and providing funds for education and for financial

support of students and in particular adult learners; provision of financial and grant aid; financial assistance and financial aid in relation to education projects; providing financial grant applications; assessing proposals for education projects for the purposes of making financial grants and providing sponsorships.

Uversity, IFSC House, Custom House Quay, Dublin 1, Ireland. Address for service is c/o FRKelly, 27 Clyde Road, Ballsbridge, Dublin 4, Ireland.

The first mark in the series in use is/will be in the colour(s) grey, yellow, orange, red, purple.

Nick's Coffee Company

260952 08 March 2019

Class 43. Cafés.

Nicholas Seymour, Ballycastle Lane, Castletown, Carrick on Suir, Co Tipperary, Ireland. Address for service is c/o Nicholas Seymour, Ballycastle Lane, Castletown, Carrick on Suir, Co Tipperary, Ireland.

This is farming

260953 06 March 2019

Class 16. Newspapers; Magazines; Printed matter; Printed publications; Printed periodicals; Periodicals; Periodical publications; Periodical magazines;

Adhesive printed labels;
Printed transfers for
embroidery or fabric
appliqués.

- Class 35. Exhibitions for commercial or advertising purposes;
Planning and conducting of trade fairs, exhibitions and presentations for commercial or advertising purposes;
Planning and conducting of trade fairs, exhibitions and presentations for economic or advertising purposes;
Organization of events, exhibitions, fairs and shows for commercial, promotional and advertising purposes;
Market campaigns;
Development of promotional campaigns; Preparation of advertising campaigns;
Developing promotional campaigns for business;
Advertising services to promote public awareness of environmental matters;
Advertising services to promote public awareness of environmental issues and initiatives; Producing promotional videotapes, video discs, and audio visual recordings; Production of video recordings for publicity purposes; Production of video recordings for advertising purposes; Production of video recordings for marketing purposes; Digital marketing; Digital advertising services;
Advertising and marketing services provided by means of social media.

The Agricultural Trust, Irish Farm Centre, Bluebell, Dublin 12, Ireland. Address for service is c/o Michael Lucey, PurdyLucey Intellectual Property, 6-7 Harcourt Terrace, Dublin 2, Ireland.

A Dietitian In Your Pocket

260954 06 March 2019

- Class 41. Training related to nutrition; Conducting classes in nutrition; Instruction in nutrition [not medical]; Education services relating to nutrition; Provision of instruction relating to nutrition; Conducting training courses relating to nutrition online; Providing of training in the field of health care and nutrition; Dietary education services; Teaching of diet education; Instruction in diet [not medical]; Provision of educational services relating to diet; Provision of educational courses relating to diet; Conducting training courses relating to diet online.
- Class 44. Nutrition consultancy; Nutrition counseling; Nutrition counselling; Nutritional guidance; Nutritional advice; Guidance on nutrition; Food nutrition consultation; Nutritional advisory services; Counselling relating to nutrition; Consultancy relating to nutrition; Information relating to nutrition; Nutrition and dietetic consultancy; Advice relating to nutrition; Dietary and nutritional guidance; Professional consultancy relating to nutrition; Advisory services relating to nutrition; Consultancy services related to nutrition; Consultancy services relating to nutrition; Nutritional advisory and consultation services; Providing nutritional information about food; Provision of information relating to nutrition; Consultancy in the field of nutrition; Providing information about dietary

supplements and nutrition; Consultancy services in the field of nutrition; Providing information relating to dietary and nutritional guidance; Providing information relating to dietary and nutritional supplements; Providing nutritional information about drinks for medical weight loss purposes; Providing nutritional information about food for medical weight loss purposes; Dietary guidance; Dietary advice; Dietician service; Dietitian services; Dietetic advisory services; Diet planning and supervision; Counselling relating to diet; Provision of dietetic advice; Dietetic counselling services [medical]; Professional consultancy relating to diet; Advisory services relating to diet; Weight reduction diet planning services; Services rendered by a dietician; Weight reduction diet planning and supervision.

Aoife Hanna, 15 Fortfield Drive, Terenure, Dublin D6W, Ireland. Address for service is c/o Aoife Hanna, 15 Fortfield Drive, Terenure, Dublin D6W, Ireland.

1.1:



stellar
ALUMINIUM SYSTEMS

2.1:



3.1:



Application is for a Series of 3 Trade Marks.

260955 07 March 2019

Class 6. Aluminium windows; aluminium doors; parts, fittings, fixtures and components made of aluminium for use with windows and doors; aluminium hardware for use with windows and doors; extrusions of aluminium for use with windows and doors; aluminium profiles for use with windows and doors; aluminium strips for use with windows and doors.

Priority Date Claimed: 28 November 2018 United Kingdom

Specialist Building Products Limited, Unit 1b, Stratford Court, Cranmore Boulevard, Solihull, West Midlands, B90 4QT, United Kingdom. Address for service is c/o FRKelly, 27 Clyde Road, Ballsbridge, Dublin 4, Ireland.

The first and third marks in the series in use is/will be in the colour(s) dark blue, light blue. The second mark in the series in use is/will be in the colour(s) dark blue, white



260956 05 November 2018

Class 25. Clothing; School uniforms; Sportswear.

Aoife Ní Raghallaigh, Bóthar an Ulloird, Cluain Dolcáin, Dublin 22, Ireland. Address for service is c/o Aoife Ní Raghallaigh, c/o Gaelscoil na Camóige, Bóthar an Ulloird, Cluain Dolcáin, Dublin 22, Ireland.

Consent for the use of the State emblem has been obtained in respect of the goods for which protection was sought.

The mark in use is/will be in the colour(s) Green, gold, grey, white

1.1:



2.1:



Application is for a Series of 2 Trade Marks.

260957 05 March 2019

Class 41. Arranging and conducting of sports events.

Frances Tobin, Ellismore, Streamstown, Malahide, Co. Dublin K36YW02, Ireland. Address for service is c/o Frances Tobin, Ellismore, Streamstown, Malahide, Co. Dublin K36YW02, Ireland.

The mark in use is/will be in the colours black, white and green

Brad Spicer

260958 05 March 2019

- Class 16. Clothing patterns.
 Class 25. Clothing; Jackets [clothing]; Shorts [clothing]; Weatherproof clothing; Belts [clothing]; Bottoms [clothing]; Athletic clothing; Leather clothing; Casual clothing; Denims [clothing]; Leisure clothing; Cashmere clothing; Woolen clothing; Windproof clothing; Silk clothing; Gloves [clothing]; Outer clothing; Sports clothing; Boys' clothing; Beach clothing; Ties [clothing]; Knitted clothing; Knitwear [clothing]; Tops [clothing]; Collars [clothing]; Drawers [clothing]; Childrens' clothing; Infants' clothing; Babies' clothing; Thermal clothing; Jerseys [clothing]; Hoods [clothing]; Headbands [clothing]; Linen clothing; Girls' clothing; Embroidered clothing; Ladies' clothing; Woven clothing; Rainproof clothing; Waterproof clothing; Leather belts [clothing]; Hats (Paper -) [clothing]; Clothing for skiing; Pocket squares [clothing]; Quilted jackets [clothing]; Jackets (Stuff -) [clothing]; Stuff jackets [clothing]; Water-resistant clothing; Thermally insulated clothing; Clothing for infants; Children's clothing; Clothing for children; Belts for clothing; Men's clothing.
 Class 26. Clothing buckles; Buckles for clothing [clothing buckles]; Feathers [clothing accessories]; Eyelets for clothing; Clothing (Eyelets for -); Bows for clothing.
 Class 42. Fashion design; Design of fashion accessories.

Brad Spicer, Leadmore East, Kilrush, Co. Clare V15 HP02, Ireland. Address for service is c/o Brad Spicer, Leadmore East, Kilrush, Co. Clare V15 HP02, Ireland.

The mark in use is/will be in the colours black, white and pantone colour 7466CP



260959 05 March 2019

- Class 7. Vacuum cleaners for industrial purposes; Industrial cleaning machines [vacuum cleaners]; Industrial vacuum machines for cleaning; Electric vacuum cleaners for industrial use; Industrial vacuum machines for use in manufacture; Industrial floor cleaning machines [vacuum cleaners]; Commercial and industrial vacuum cleaners; Industrial carpet vacuuming machines.

Priority Date Claimed: 23 January 2019 United Kingdom

KHC Ltd., 44 Davis Street, Keady, Co. Armagh BT60 3RS, United Kingdom. Address for service is c/o KHC Ltd., 44 Davis Street, Keady, Co. Armagh BT60 3RS, United Kingdom.

The mark in use is/will be in the colour(s) Blue= Pantone Process Cyan CYellow= Pantone 116 CBlack= Pantone Black C

1.1:



2.1:



3.1:



Application is for a Series of 3 Trade Marks.

260960 03 August 2018

Class 44. Weight management services.

NewWeigh MWMI LTD, Templemichael Technology Park, Ballinalee Road, Longford N39DK82, Ireland. Address for service is c/o NewWeigh MWMI LTD, Templemichael Technology Park, Ballinalee Road, Longford N39DK82, Ireland.

The first and second Marks in the series in use is/will be in the colour(s) Pantone 267 (purple) and Pantone 326 (green). The third mark in the series, in use, is/will be in the colour(s) Pantone 267 (purple) and Pantone 306 (blue).

The logo for 'Celtic Moon' features the brand name in a stylized, black, calligraphic font. The letter 'o' in 'Moon' is replaced by a circular motif with intricate patterns.

260961 05 March 2019

Class 14. Jewellery; Shoe jewellery; Hat jewellery; Key chains for use as jewellery; Bracelets made of embroidered textile [jewellery]; Pet jewelry; Scarf

clips being jewelry.

Class 25. Clothing; Wraps [clothing]; Knitted clothing; Knitwear [clothing].

Class 28. Christmas tree decorations and ornaments.

Aoife Harrington, 3 Coppinger Walk, Stillorgan Park, Blackrock, Co. Dublin, Ireland. Address for service is c/o Aoife Harrington, 3 Coppinger Walk, Stillorgan Park, Blackrock, Co. Dublin, Ireland.

The logo for 'Atlantic dreams' features the brand name in a cursive, handwritten-style font. 'Atlantic' is in a larger, more decorative script, and 'dreams' is in a smaller, simpler script below it.

260962 05 March 2019

Class 14. Jewellery; Ornaments [jewellery]; Jewellery made of glass; Jewellery in the form of beads; Bracelets made of embroidered textile [jewellery].

Class 25. Knitwear; Clothing.

Aoife Harrington, 3 Coppinger Walk, Stillorgan Park, Blackrock, Co. Dublin, Ireland. Address for service is c/o Aoife Harrington, 3 Coppinger Walk, Stillorgan Park, Blackrock, Co. Dublin, Ireland.



260963 08 March 2019

Class 42. Design services.

Ronan Healy, Unit H5, Eastway Business Park, Limerick V94C89P, Ireland. Address for service is c/o Ronan Healy, Unit H5, Eastway Business Park, Limerick V94C89P, Ireland.

#borntostandout challenge

260964 09 March 2019

Class 36. Charitable fundraising; Fundraising; Fundraising services; Charitable fundraising services; Fundraising and sponsorship; Fundraising and financial sponsorship; Arranging charitable fundraising events; Arranging business fundraising activities; Providing information relating to charitable fundraising; Charitable fundraising services for underprivileged children; Charitable fundraising by means of entertainment events; Charitable fundraising through the sale of charity stamps; Provision of charitable fundraising services in relation to carbon offsetting; Providing fundraising activities to support medical research and

procedures for those in need.

Keith Enright, 148 carraig midhe, corbally, limerick v94 H3NX, Ireland. Address for service is c/o Keith Enright, 148 carraig midhe, corbally, limerick v94 H3NX, Ireland.

The mark in use is/will be in the colour(s) blue, black, white, green, yellow, red, pink, purple, orange,

Ollscoil Teicneolaíochta Bhaile Átha Cliath

260965 19 December 2018

Class 9. Scientific, surveying, photographic, optical, measuring and checking (supervision) apparatus and instruments; teaching, instructional and educational apparatus and instruments; data processing equipment and computers; computer software; computers; video games; computer programmes; computer games; electronic publications; apparatus for recording, transmission or reproduction of sound or images; magnetic data carriers; recording discs; sound recordings and audio visual recordings; digital and pre-recorded video tapes, cassettes, compact discs and DVD discs; protective clothing; optician's goods.

Class 16. Printed matter; stationery; instructional and teaching material; educational materials for use in teaching; educational course materials; printed publications; books; pamphlets; journals; magazines; newspapers; prospectuses; periodical

- publications; newsletters; calendars; diaries; paper flags; postcards; advertising material of paper or cardboard; posters; photographs; greeting cards.
- Class 35. Advertising; organisation of exhibitions, events and conferences (for commercial and advertising purposes); publication of publicity texts; rental of advertising space.
- Class 41. Education; providing of training; entertainment; sporting and cultural activities; third level education services; provision of electronic publications; provision of electronic publications in the field of education and training; organising, arranging and conducting workshops, educational seminars, lectures, tutorials, exhibitions, fairs, symposia, conferences, presentations and conventions; provision of on-line educational and training services; library services; publication of books, films, texts, journals, magazines and periodicals; development of research training programmes; provision of correspondence courses; provision of recreation and sporting facilities; hire of sports facilities; sports training; music concert services; orchestra services; physical education services; production of radio and television programmes; translation services; consultancy, research and information services relating to academic subjects or vocational skills; career advisory services; consultancy and information services relating to all the aforesaid.
- Class 42. Scientific and technological services and research and design relating thereto; industrial analysis and research services; design and development of computer

hardware and software; engineering and engineering drawing services; technical project studies; information technology and computing services; computer programming; surveying services; consultancy and information services relating to all the aforesaid.

- Class 44. Optometry; optometry services; opticians' services.

Technological University Dublin, Fitzwilliam House, 30 Upper Pembroke Street, Dublin 2, Ireland. Address for service is c/o Brian McElligott, c/o Mason Hayes & Curran, South Bank House, Barrow Street, Dublin 4, Ireland.

NYSSA BEACH

260966 21 December 2018

- Class 43. Services in providing food and drink; temporary accommodation; restaurants, diners, cafes, snack bars; kiosk and takeaway services; food and drink preparation services; catering services for providing food and drink; fast food restaurant services; provision of prepared meals; reservations and bookings for restaurants; personal chef services; consultancy and advisory services relating to the aforesaid.

Kerten Unlimited Company, 13-18 City Quay, Dublin 2, Ireland. Address for service is c/o FRKelly, 27 Clyde Road, Ballsbridge, Dublin 4, Ireland.

BEAUTY BY SWEDEN

260967 04 January 2019

Class 3. Skin, eye and nail care preparations; Hair care preparations, not for medical purposes; Shampoos; Hair balsam; Soap; Perfumery; Toilet water; Ethereal oils; Cosmetics; Make-up preparations; Lipsticks; Nail varnish; Nail varnish removers; Eyeliner; Mascara; Non-medicated toiletries; Hair lotions; Hair spray; Hair gel; Bath and shower preparations; Bath and shower oils [non-medicated]; Shower and bath gel; Bath creams (Non-medicated -); Shower creams; Shower and bath foam; Face and body masks; Facial scrubs [cosmetic]; Cosmetic body scrubs; Facial washes [cosmetic]; Skin cleansers; Skin moisturisers; Skin toners; Concealers for spots and blemishes; Antiperspirants [toiletries]; Shaving soap; Shaving cream; Shaving gel; After-shave preparations; Pre-shaving preparations; Talcum powder, for toilet use; Toiletries; Dentifrices; Toothpaste; Foot care preparations (Non-medicated -).

Class 35. Retail services, wholesale services, retail services by direct solicitation by independent sales representatives, retail services by telephone shop at home services, retail services by mail order catalog services, retail services by interactive retail store, wholesale services rendered by means of a global computer information network: all the aforementioned services relating to skin, eye and nail care preparations, hair care

preparations, not for medical purposes, shampoos, hair balsam, soap, perfumery, toilet water, ethereal oils, cosmetics, make-up preparations, lipsticks, nail varnish, nail varnish removers, eyeliner, mascara, non-medicated toiletries, hair lotions, hair spray, hair gel, bath and shower preparations, bath and shower oils [non-medicated], shower and bath gel, bath creams (non-medicated -), shower creams, shower and bath foam, face and body masks, facial scrubs [cosmetic], cosmetic body scrubs, facial washes [cosmetic], skin cleansers, skin moisturisers, skin toners, concealers for spots and blemishes, antiperspirants [toiletries], shaving soap, shaving cream, shaving gel, after-shave preparations, pre-shaving preparations, talcum powder, for toilet use, toiletries, dentifrices, toothpaste, foot care preparations (non-medicated -), jewellery, bags, cosmetic bags, dietary supplements, vitamin supplements, soup powders, milk shakes, cereals, bases for making milk shakes [flavourings], cereal bars, high-protein cereal bars, cereal-based snacks, corn-based savoury snacks, rice-based snacks, clothing, footwear and headgear.

Priority Date Claimed: 23 August 2018 Sweden

Oriflame Cosmetics AB, PO Box 1095, SE-101 39 Stockholm, Sweden. Address for service is c/o Sipara Limited, Rochester House, Eynsham Road, Farmoor, Oxford OX2 9NH, United Kingdom.

1.1:



2.1:



Application is for a Series of 2 Trade Marks.

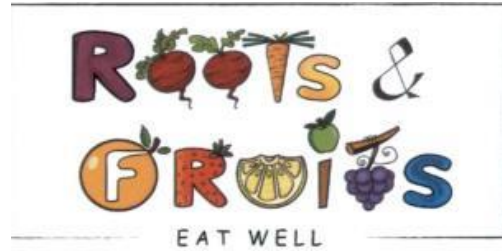
260968 07 March 2019

Class 43. Services for providing food and drink; cafe, coffee shop, and coffee bar services; salad bar; take-out food and drink services; food and beverage preparation.

PATRICK CRONIN, 6 Ardoyne Mews, Pembroke Park, Dublin 4, Ireland. Address for service is c/o FRKelly, 27 Clyde Road, Ballsbridge, Dublin 4, Ireland.

The first mark in the series, in use, is/will be in the colours green, dark red, black, white, orange, yellow

1.1:



2.1:



3.1:



4.1:



Application is for a Series of 4 Trade Marks.

260969 07 March 2019

Class 43. Services for providing food and drink; cafe, coffee shop, and coffee bar services; salad bar; take-out food and drink services; food and beverage preparation.

PATRICK CRONIN, 6 Ardoyne Mews, Pembroke Park, Dublin 4, Ireland. Address for service is c/o FRKelly, 27 Clyde Road, Ballsbridge, Dublin 4, Ireland.

The first and third marks in the series, in use, is/will be in the colours black, purple, green, dark red, orange, yellow, white, red, brown and blue.



260970 11 March 2019

Class 5. Antiviral Pharmaceutical preparations; pharmaceutical preparations for the treatment of hepatitis; pharmaceutical preparations for the treatment of liver diseases and disorders.

Priority Date Claimed: 01 October 2018 United States of America

Asegua Therapeutics LLC, 333 Lakeside Drive, Foster City, California 94404, United States of America. Address for service is c/o Patricia McGovern, DFMG Solicitors, Embassy House, Ballsbridge, Dublin 4, Ireland.

Ciderland

260971 11 March 2019

Class 33. Cider and cider beverages.

Bulmers Limited, Annerville, Clonmel, Co. Tipperary, Ireland. Address for service is c/o FRKelly, 27 Clyde Road, Ballsbridge, Dublin 4, Ireland.

The DPF Doctor

260972 04 March 2019

Class 35. Advertising.

Class 37. Automobile repair; Repair of automobiles; Automobile repair and maintenance; Garage services for automobile repair; Maintenance and repair of automobiles.

Lindsey Darling, 2 Scoular Drive, Ashington NE63 9SE, United Kingdom. Address for service is c/o Lindsey Darling, 2 Scoular Drive, Ashington NE63 9SE, United Kingdom.



260973 28 February 2019

Class 35. Online car sales website

PETER KAVANAGH, Grovehouse, Bolinready, Ballycanew, Gorey, Co. Wexford, Ireland. Address for service is c/o PETER KAVANAGH, Grovehouse, Bolinready, Ballycanew, Gorey, Co. Wexford, Ireland.

The mark in use will/be in the colours blue & white

Lunch Auction

LunchAuction

lunch auction

lunchauction

lunch-auction

Lunch Auction Global

Application is for a Series of 6 Trade Marks.

260974 09 March 2019

Class 35. Advertising; Advertising copywriting; Advertising research; Advertising agencies; Response advertising; Advertising planning; Banner advertising; Recruitment advertising; Cinema advertising; Newspaper advertising; Online advertising; Advertising services; Online advertisements; Online marketing; Online advertising services; Online ordering services; Online business networking services; Online community management services; Online data processing services; Compilation of online business directories; Online retail services relating to clothing; Online retail services relating to toys; Online retail services relating to cosmetics; Online retail services relating to handbags; Online retail services relating to jewelry; Online retail services relating to luggage; Conducting virtual trade show exhibitions online; Conducting online business management research surveys; Provision of online financial

services comparisons; Providing online commercial directory information services; Online advertising on a computer network; Advertising the goods and services of online vendors via a searchable online guide; Providing a searchable online advertising guide featuring the goods and services of online vendors; Online advertising via a computer communications network; Provision of commercial information from online databases; Dissemination of advertising via online communications networks; Arranging commercial transactions, for others, via online shops; Online retail store services in relation to clothing; Providing online marketplaces for sellers of goods and or services; Online advertising network matching services for connecting advertisers to websites; Providing academic course administration services relating to online course registration; Online retail store services relating to cosmetic and beauty products; Online retail services for downloadable and pre-recorded music and movies; Business information services provided online from a computer database or the internet; Business information services provided online from a global computer network or the internet; Provision of an online marketplace for buyers and sellers of goods and services; Promoting the designs of others by means of providing online portfolios via a website; Promoting the music of others by means of providing online portfolios via a website; Promoting the artwork of others by means of providing online portfolios via a website; Providing a

searchable online advertising guide featuring the goods and services of other on-line vendors on the internet; Online advertising; Provision of online financial services comparisons; Arranging commercial transactions, for others, via online shops.

Elena Grabchak, Apartment 88, Eustace Court, Cualanor, Dun Laoghaire Dublin, Ireland. Address for service is c/o Elena Grabchak, Apartment 88, Eustace Court, Cualanor, Dun Laoghaire Dublin, Ireland.

The Nobel Sons Of Ireland

260975 09 March 2019

Class 16. Art prints; Prints; Lithographic prints; Engravings [prints]; Canvas prints; Giclee prints.

Kieran Duddy, 10M Iveagh Trust Buildings, New Bride Street, Dublin D08 C992, Ireland. Address for service is c/o Kieran Duddy, 10M Iveagh Trust Buildings, New Bride Street, Dublin D08 C992, Ireland.

Trip To Tipp

260976 12 March 2019

Class 41. Organisation of festivals.

Cherrycool Ltd, 13 Windsor Place, Dublin 2, Ireland. Address for service is c/o Cherrycool Ltd, 13 Windsor Place, Dublin 2, Ireland.

BTG SENTRY

260977 11 March 2019

Class 10. Surgical and medical apparatus, devices and instruments; surgical and medical apparatus, devices and instruments for use in the prevention and treatment of circulatory system issues and conditions; surgical and medical apparatus, devices and instruments for use in the prevention and treatment of pulmonary embolisms, thrombus, blood clots, vascular issues and conditions; bio-absorbable medical apparatus, devices and instruments; bio-absorbable medical apparatus, devices and instruments for use in the vascular system; medical and surgical filters; vena cava filters; vascular filters; introducers for implanting vena cava filters; medical and surgical catheters; intravenous catheters; parts and fittings for all the aforesaid goods.

Class 41. Education services, namely, developing, arranging and conducting educational programmes and providing courses of instruction in the fields of healthcare, the use of pharmaceuticals and medical devices, medical research, surgery, medical science, medicine and in the fields of the prevention and treatment of circulatory system issues and conditions, pulmonary embolisms, thrombus, blood clots, vascular issues and conditions, and distribution of course material in connection therewith; training in the use and operation of medical devices and medical research apparatus and consultation relating thereto; educational

services, namely, conducting live and online seminars, classes, workshops, lectures, panel discussions, and training programs in the fields of health care and medical diseases, disorders and related treatments and in the fields of the prevention and treatment of circulatory system issues and conditions, pulmonary embolisms, thrombus, blood clots, vascular issues and conditions, and distribution of course material in connection therewith; educational services, namely, providing non-downloadable webinars in the fields of health care and medical diseases, disorders and related treatments and in the fields of the prevention and treatment of circulatory system issues and conditions, pulmonary embolisms, thrombus, blood clots, vascular issues and conditions, and distribution of course material in connection therewith; provision of educational content, namely, providing on-line instruction in the fields of health care and medical diseases, disorders and related treatments and in the fields of the prevention and treatment of circulatory system issues and conditions, pulmonary embolisms, thrombus, blood clots, vascular issues and conditions, and distribution of course material in connection therewith; providing information about medical education in the fields of healthcare, pharmaceuticals, medical devices, medical research, surgery, medical science and medicine and patient care via computer, electronic and on-line databases; advisory services in the field of medical education; educational services, namely, conducting live and online seminars,

classes, workshops, lectures, panel discussions and training in the fields of healthcare, pharmaceuticals, medical devices, medical research, surgery, medical science and medicine; educational services, namely, providing non-downloadable webinars in the fields of healthcare, pharmaceuticals, medical devices, medical research, surgery, medical science and medicine and distribution of course material in connection therewith; non-downloadable electronic publications in the nature of teaching guides, instructional materials, brochures, and course books in the fields of healthcare, the use of pharmaceuticals and medical devices, medical research, surgery, medical science, medicine and in the fields of the prevention and treatment of circulatory system issues and conditions, pulmonary embolisms, thrombus, blood clots, vascular issues and conditions; providing educational information via electronic online databases featuring information about medical education in the field of healthcare, pharmaceuticals, medical devices, medical research, surgery, medical science and medicine.

Priority Date Claimed: 28 September 2018 United Kingdom

NOVATE MEDICAL LIMITED, 1st Floor, Block 11, Galway Technology Park, Parkmore, Galway, H91 VE0H, Ireland. Address for service is c/o MACLACHLAN & DONALDSON, Unit 10, 4075 Kingswood Road, Citywest Business Campus, Dublin 24 D24 C56E, Ireland.

Road to Gold

The Road to Gold

Application is for a Series of 2 Trade Marks.

260978 11 March 2019

Class 33. alcoholic beverages (except beers); cider and cider beverages.

Bulmers Limited, Annerville, Clonmel, Co. Tipperary, Ireland. Address for service is c/o FRKelly, 27 Clyde Road, Ballsbridge, Dublin 4, Ireland.

Welcome to Ciderland

260979 11 March 2019

Class 33. Cider and cider beverages.

Bulmers Limited, Annerville, Clonmel, Co. Tipperary, Ireland. Address for service is c/o FRKelly, 27 Clyde Road, Ballsbridge, Dublin 4, Ireland.



260980 11 March 2019

Class 10. Surgical and medical apparatus, devices and instruments; surgical and medical apparatus, devices

and instruments for use in the prevention and treatment of circulatory system issues and conditions; surgical and medical apparatus, devices and instruments for use in the prevention and treatment of pulmonary embolisms, thrombus, blood clots, vascular issues and conditions; bio-absorbable medical apparatus, devices and instruments; bio-absorbable medical apparatus, devices and instruments for use in the vascular system; medical and surgical filters; vena cava filters; vascular filters; introducers for implanting vena cava filters; medical and surgical catheters; intravenous catheters; parts and fittings for all the aforesaid goods.

Priority Date Claimed: 28 September 2018 United Kingdom

NOVATE MEDICAL LIMITED, 1st Floor, Block 11, Galway Technology Park, Parkmore, Galway, H91 VE0H, Ireland. Address for service is c/o MACLACHLAN & DONALDSON, Unit 10, 4075 Kingswood Road, Citywest Business Campus, Dublin 24 D24 C56E, Ireland.



**CLONAKILTY
PARKHOTEL**

260981 11 March 2019

Class 43. Rental of rooms as temporary

accommodation; agency services for the reservation of temporary accommodation; hotel, motel, bar, cafe, restaurant and catering services; providing banquet facilities; rental of rooms for holding social functions; providing conference rooms, exhibitions, seminar and meeting facilities.

David Henry, Clonakilty Park Hotel, Park Road, Clonakilty, Co. Cork, Ireland. Address for service is c/o FRKelly, 27 Clyde Road, Ballsbridge, Dublin 4, Ireland.

The mark in use is/will be in the colour(s) grey, white, cream

Opposition(s) under Section 43 of the 1996 Act

- 259832** Allied Irish Banks PLC. Opposition filed 27 February 2019
- 259863** Nick Grantham. Opposition filed 27 February 2019
- 260145** The Travelers Indemnity Company. Opposition filed 06 May 2019
- 260224** KALLO FOODS LIMITED. Opposition filed 16 May 2019
- 260224** KALLO FOODS LIMITED. Opposition filed 17 May 2019
- 260344** KALLO FOODS LIMITED. Opposition filed 16 May 2019
- 260344** KALLO FOODS LIMITED. Opposition filed 17 May 2019
- 254945** Nas Nationwide Agri Supplies Ltd. Opposition withdrawn 17 May 2019
- 259036** Glanbia Ireland Designated Activity Company. Opposition withdrawn 17 May 2019

259891 PATRICK GERARD KAAR.
Application deemed withdrawn 22 May 2019

260087 HealthBeacon Ltd. Application withdrawn 14 May 2019

Revocation of Trade mark(s) under Section 51 of the Trade Marks Act, 1996

152754 ILC Trademark Corp.

152755 ILC Trademark Corp.

Application(s) Withdrawn after Advertisement under the 1996 Act

259972 Yvonne Brady

260149 BALLINASLOE CREDIT UNION

Application(s) deemed to be Withdrawn under Section 45(2) of the 1996 Act

259450 Marcin Kulik

259454 Marcin Kulik

Trade Marks Registered under the 1996 Act

- 259556** (2370) Cl. 43. P.V. DOYLE HOTELS LIMITED
- 259591** (2370) Cl. 35 41 43. Image Expo Events
- 259609** (2370) Cl. 3 24 25. Deirdre Daly
- 259610** (2370) Cl. 4 25. Deirdre Daly
- 259664** (2371) Cl. 41 44. Emma Murphy
- 259871** (2374) Cl. 43. Trevor Gately
- 259874** (2374) Cl. 4 14 18. ROBERT SCANLAN
- 259947** (2374) Cl. 18. PETiGO Bandanas
- 259966** (2375) Cl. 1. DuluxGroup (Australia) Pty Ltd
- 259967** (2375) Cl. 41. ROYAL DUBLIN SOCIETY
- 259968** (2375) Cl. 41 43. Mark McCafferty
- 259969** (2375) Cl. 33. Bernard Callaghan
- 259970** (2375) Cl. 35 42. BECAUSE EXPERIENTIAL MARKETING LIMITED

259977	(2375) Cl. 25. Mark O' Dwyer	260197	(2378) Cl. 1 5. Everris International B.V.
259999	(2375) Cl. 5 7 11. Hanley Technology	260201	(2378) Cl. 35 36 37 39 42. Finning (UK) Ltd
260000	(2375) Cl. 35 41. Richard Wilson	260204	(2378) Cl. 30. CADBURY UK LIMITED
260026	(2375) Cl. 39 41 45. Oisín McElvaney	260207	(2378) Cl. 39. Tadhg O'Brien
260054	(2375) Cl. 3. Eternal Dance Media Limited c/o Lee & Thompson LLP	260208	(2378) Cl. 9 12 28. Jia Ma
260059	(2375) Cl. 35. Yup Yup Limited	260209	(2378) Cl. 41. Stella Novus Ltd
260060	(2375) Cl. 41 43. Mark McCafferty	260210	(2378) Cl. 29 30. Kerry Luxembourg S.à.r.l.
260105	(2376) Cl. 29. McCain Foods (GB) Limited	260215	(2378) Cl. 41. Gestalt Institute of Ireland
260121	(2377) Cl. 29. McCain Foods (GB) Limited	260217	(2378) Cl. 9 35 41. Nadine McCarthy
260132	(2377) Cl. 29. McCain Foods (GB) Limited	260219	(2378) Cl. 9 36 42. Fexco Unlimited Company
260136	(2377) Cl. 11. Ideal Standard International NV	260221	(2378) Cl. 1. Hygeia Group Limited
260147	(2378) Cl. 35 36. BALLINASLOE CREDIT UNION	260223	(2378) Cl. 29 31. LAKELAND AGRICULTURAL LIMITED
260150	(2378) Cl. 41. THE PROVOST, FELLOWS, FOUNDATION SCHOLARS, AND THE OTHER MEMBERS OF BOARD OF THE COLLEGE OF THE HOLY AND UNDIVIDED TRINITY OF QUEEN ELIZABETH NEAR DUBLIN	Renewal of Registrations Under Section 48 of the 1996 Act	
260154	(2378) Cl. 42. John Concannon	30906	Cl. 33. Paddy Whiskey Limited
260156	(2378) Cl. 18. Chanel Limited	36303	Cl. 30. Kraft Foods Schweiz Holding GmbH
260158	(2378) Cl. 35 36 38 39 41 43 44. Welcome Break Group Limited	45970	Cl. 31. Fyffes International Unlimited Company
260161	(2378) Cl. 7 8 11 16 20 21 29 30 32. Vow Europe Limited	55886	Cl. 16. BIC U.K. LIMITED
260166	(2378) Cl. 29. McCain Foods (GB) Limited	55947	Cl. 3. DEB LIMITED
260167	(2378) Cl. 9 14 20 45. Sonia Marie Short	56190	Cl. 33. HEAVEN HILL DISTILLERIES, INC.
260168	(2378) Cl. 44. Seapoint Clinic Limited	56611	Cl. 3. S. C. JOHNSON & SON, INC.
260170	(2378) Cl. 14. Time Products (UK) Limited	57082	Cl. 9. UNISYS CORPORATION
260173	(2378) Cl. 9 16 36. Allied Irish Banks PLC	57083	Cl. 16. UNISYS CORPORATION
260174	(2378) Cl. 9 16 36. Allied Irish Banks PLC	61664	Cl. 7. OTIS ELEVATOR COMPANY LIMITED
260175	(2378) Cl. 35 39. Newsread Limited	67218	Cl. 24. Heatons (N.I.) Limited
260176	(2378) Cl. 36. CITY FINANCIAL MARKETING GROUP LIMITED	67613	Cl. 7. HILTI AKTIENGESSELLSCHAFT
260177	(2378) Cl. 14 18 25. Sharon Farren	67772	Cl. 30. KRAFT FOODS DANMARK INTELLECTUAL PROPERTY ApS
260180	(2378) Cl. 41. Tracey Ferry	67846	Cl. 5. DSM IP Assets B.V.
260184	(2378) Cl. 20 21 29 30 35 39 43. Brake Bros Limited	68670	Cl. 17. 3M COMPANY
260185	(2378) Cl. 20 21 29 30 35 39 43. Brake Bros Limited	69000	Cl. 9. Energizer Limited
260186	(2378) Cl. 20 21 29 30 35 39 43. Brake Bros Limited	69001	Cl. 11. Energizer Limited
260190	(2378) Cl. 29 30. Kepak Group Unlimited Company	84335	Cl. 3. THE BOOTS COMPANY PLC.
260192	(2378) Cl. 29 30. Paul McGuigan	85016	Cl. 30. CADBURY UK LIMITED
260194	(2378) Cl. 29 30. McCain Foods (GB) Limited	85393	Cl. 9. TEFAL
		85394	Cl. 11. TEFAL
		85973	Cl. 28. Mattel, Inc
		86530	Cl. 5. Lustucru Riz, S.A.
		86531	Cl. 29. Lustucru Riz, S.A.
		86532	Cl. 30. Lustucru Riz, S.A.
		86533	Cl. 31. Lustucru Riz, S.A.
		86544	Cl. 31. Elanco US Inc.
		92666	Cl. 3. LANCOME PARFUMS ET BEAUTE & CIE
		93203	Cl. 5. PFIZER INC.

94148	Cl. 7. ROBOT COUPE SNC	135211	Cl. 7, Cl. 12. Allison Transmission, Inc.
94196	Cl. 12. TELEDYNE TECHNOLOGIES INCORPORATED	136972	Cl. 9. EMERSON ELECTRIC CO.
94392	Cl. 12. TELEDYNE TECHNOLOGIES INCORPORATED	136973	Cl. 11. EMERSON ELECTRIC CO.
94969	Cl. 29, Cl. 30. Quality Is Our Recipe, LLC.	141828	Cl. 3. MLV Markenzeichen- und Lizenzverwaltungs GmbH
94982	Cl. 3. Colgate-Palmolive Company	146320	Cl. 16. Eagle Star Holdings Limited
94983	Cl. 5, Cl. 10. Colgate-Palmolive Company	147687	Cl. 31. AGRI-SEEDS LTD.
95139	Cl. 3. LANCOME PARFUMS ET BEAUTE & CIE	147874	Cl. 30. CADBURY UK LIMITED
95140	Cl. 3. LANCOME PARFUMS ET BEAUTE & CIE	147971	Cl. 12. AUTOMOBILES CITROEN
95145	Cl. 3. LANCOME PARFUMS ET BEAUTE & CIE	147973	Cl. 12. National Electric Vehicle Sweden AB
95552	Cl. 5. BIO-OIL RESEARCH LIMITED	148095	Cl. 5, Cl. 10, Cl. 16. Laboratorios Indas S.A.
96892	Cl. 3. LANCOME PARFUMS ET BEAUTE & CIE	148097	Cl. 5, Cl. 10, Cl. 16. Laboratorios Indas S.A.
98889	Cl. 7. MAGIMIX (Société par Actions Simplifiée)	148106	Cl. 10. BECTON, DICKINSON AND COMPANY
99907	Cl. 30. Perfetti Van Melle S.p.A.	148230	Cl. 3. MIRATO S.P.A.
101318	Cl. 29, Cl. 30. Quality Is Our Recipe, LLC.	148238	Cl. 3. PANTRESSE, INC.
102500	Cl. 29. CADBURY UK LIMITED	148509	Cl. 1, Cl. 23. Eastman Chemical Company
111377	Cl. 11. Koehler-Bright Star, Inc.	148554	Cl. 12. AUTOMOBILES CITROEN
127433	Cl. 31. BONILAIT PROTEINES S.A	149051	Cl. 25. Pirelli & C. S.p.A.
127751	Cl. 30. CAFFREY'S LTD.	149064	Cl. 20. DONGHIA, INC
128425	Cl. 3. Coty Germany GmbH	149159	Cl. 28. MEGAFORM AG
128572	Cl. 1. ROCHE PRODUCTS LIMITED	149221	Cl. 7, Cl. 9, Cl. 11. Norgren, Inc.
128761	Cl. 3. LOUIS VUITTON MALLETIER	149249	Cl. 9. Ingres Corporation
128762	Cl. 18. LOUIS VUITTON MALLETIER	149898	Cl. 5. CROSS VETPHARM GROUP LIMITED
129039	Cl. 7. CANNON S.P.A.	149964	Cl. 10. Roche Diabetes Care GmbH
129070	Cl. 10. Hakim USA, LLC	150384	Cl. 32. MAHOU, S.A.
129557	Cl. 1. MERCK KGaA	150458	Cl. 5. Merck Sharp & Dohme Corp.
129848	Cl. 17. TPR Fiberdur GmbH & Co. KG	150619	Cl. 5. DuPont Agricultural Caribe Industries, Ltd
129849	Cl. 20. FIBERDUR GmbH	150950	Cl. 29, Cl. 30. SALOMON HITBURGER GmbH
130198	Cl. 29. Lorenz Snack-World Beteiligung GmbH Germany	150962	Cl. 16. Eurocross Assistance Netherlands B.V.
130803	Cl. 5. DR. GERHARD MANN, CHEM-PHARM. FABRIK GmbH	151510	Cl. 30. DALE FARM ICE CREAM LIMITED
131152	Cl. 9. STRATUS TECHNOLOGIES BERMUDA, LTD.	151981	Cl. 5. Roche Diabetes Care GmbH
131600	Cl. 6. Woelm Gesellschaft mit beschränkter Haftung	151982	Cl. 5. Roche Diagnostics GmbH
131601	Cl. 7. Woelm Gesellschaft mit beschränkter Haftung	152761	Cl. 3, Cl. 5, Cl. 17. 3M COMPANY
131602	Cl. 20. Woelm Gesellschaft mit beschränkter Haftung	153216	Cl. 5. DuPont Agricultural Caribe Industries, Ltd
131860	Cl. 3. Colgate-Palmolive Company	153439	Cl. 1, Cl. 9, Cl. 16. 3M COMPANY
131861	Cl. 3. Colgate-Palmolive Company	154060	Cl. 7, Cl. 9, Cl. 11. Norgren, Inc.
132281	Cl. 33. INVERSIONES COUSIÑO MACUL S.A.	154554	Cl. 16. VISA INTERNATIONAL SERVICE ASSOCIATION
132347	Cl. 30. UNITED BISCUITS (UK) LIMITED	155129	Cl. 9. PITNEY BOWES INC.
133606	Cl. 9. VODAFONE GROUP PUBLIC LIMITED COMPANY	156026	Cl. 5. MERCK SHARP & DOHME B.V.
		156138	Cl. 29. AVIKO, Besloten vennootschap
		156144	Cl. 16, Cl. 18, Cl. 25, Cl. 28, Cl. 34. RENAULT s.a.s.
		176472	Cl. 30. CADBURY UK LIMITED
		213497	Cl. 29. ENTREMONT ALLIANCE

213502	Cl. 30. HARIBO Holding GmbH & Co.KG	216976	Cl. 28. TY, INC.
213507	Cl. 4, Cl. 9, Cl. 35. KABUSHIKI KAISHA AUTOBACS SEVEN	217201	Cl. 33. HEIDSIECK & C° MONOPOLE
213753	Cl. 9. Marchon Eyewear, Inc.	217318	Cl. 28. TY, INC.
213797	Cl. 29. Breeo Brands Limited	221059	Cl. 24. MAGEE WEAVING
213888	Cl. 13. SMITH & WESSON CORP.	229670	Cl. 9, Cl. 36, Cl. 38. MASTERCARD INTERNATIONAL INCORPORATED
213907	Cl. 12, Cl. 14, Cl. 28, Cl. 41. BREITLING SA	240633	Cl. 35, Cl. 41. JAMES O'TOOLE
214052	Cl. 14, Cl. 25. The Smiley Company SPRL	240693	Cl. 41. MARIE-LOUISE BOWE
214060	Cl. 9. Marchon Eyewear, Inc.	241425	Cl. 9. NOIZ ENTERTAINMENT LTD
214090	Cl. 12. RENAULT s.a.s.	241463	Cl. 9. NOIZ ENTERTAINMENT LTD
214123	Cl. 7. Goizper, S. Coop	241501	Cl. 35. Aurivo Co-operative Society Limited
214133	Cl. 3. CHANEL LIMITED	241523	Cl. 31. Aurivo Co-operative Society Limited
214151	Cl. 30. HARIBO Holding GmbH & Co.KG	241601	Cl. 30. ROBERT SCANLAN
214203	Cl. 3, Cl. 4, Cl. 5, Cl. 11, Cl. 21. RECKITT BENCKISER (UK) LIMITED	241635	Cl. 7, Cl. 9, Cl. 37. STONE ELECTRICAL LTD
214274	Cl. 25. Mavi Giyim Sanayi ve Ticaret A.S.	241653	Cl. 35. LOVE IRISH FOOD
214446	Cl. 37, Cl. 42. Edwards Limited	241658	Cl. 5. ROWEX LTD.
214575	Cl. 36, Cl. 37, Cl. 39, Cl. 41, Cl. 42. CITADINES	241698	Cl. 9, Cl. 16, Cl. 25, Cl. 35, Cl. 38, Cl. 41. BBC WORLDWIDE LIMITED
214576	Cl. 13. SMITH & WESSON CORP.	241727	Cl. 5. ROWEX LTD.
214577	Cl. 13. SMITH & WESSON CORP.	241739	Cl. 30, Cl. 43. MANOR HILL HOME BAKERY LIMITED
214754	Cl. 1, Cl. 29. DSM IP Assets B.V.	241775	Cl. 6, Cl. 17, Cl. 19. JONATHAN PYLE
214800	Cl. 29. SAVENCIA SA	241837	Cl. 41. CLAREMORRIS CHAMBER OF COMMERCE
215036	Cl. 30. CADBURY UK LIMITED	241856	Cl. 35. RAY WHITE & CO LTD
215052	Cl. 3. Colgate-Palmolive Company	241861	Cl. 5. ROWEX LTD.
215131	Cl. 5. Napp Pharmaceutical Holdings Limited	241863	Cl. 35. LOVE IRISH FOOD
215312	Cl. 4, Cl. 11, Cl. 39. FLOGAS IRELAND LIMITED	241891	Cl. 35. REED EXECUTIVE PLC
215356	Cl. 35. RANDSTAD N.V.	241904	Cl. 35, Cl. 36. SHOP DIRECT IRELAND LIMITED
215436	Cl. 7. Beam Vacuum Systems Limited	241911	Cl. 12. PAUL SHAUGHNESSY
215503	Cl. 32. Molson Coors Brewing Company (UK) Limited	241919	Cl. 5. ACTAVIS IRELAND LIMITED
215568	Cl. 6, Cl. 7, Cl. 9, Cl. 16, Cl. 19. dormakaba Deutschland GmbH	241920	Cl. 30. CADBURY UK LIMITED
215787	Cl. 28. TY, INC.	241922	Cl. 30. CADBURY UK LIMITED
215834	Cl. 30. HOLDER	241960	Cl. 1, Cl. 5. Kerry Luxembourg S.à.r.l.
215873	Cl. 9, Cl. 10, Cl. 11, Cl. 19, Cl. 21. SCHOTT AG	242019	Cl. 9. DECISION SUPPORT SYSTEMS LIMITED
215899	Cl. 5. GUABER S.R.L.	242225	Cl. 10, Cl. 36, Cl. 44. Primacare Medical Limited
215977	Cl. 36. Allied Irish Banks p.l.c.	242234	Cl. 9, Cl. 16, Cl. 21, Cl. 25, Cl. 26, Cl. 35, Cl. 41. PRE-HOSPITAL EMERGENCY CARE COUNCIL
216051	Cl. 40, Cl. 42. MARGARET MOORE and BARRY MOORE trading in Partnership as Photogenic	242252	Cl. 36, Cl. 42. CITIGROUP INC.
216058	Cl. 30. LOOK-O-LOOK INTERNATIONAL B.V.	242269	Cl. 29. Kraft Foods UK Intellectual Property Limited
216400	Cl. 9, Cl. 35, Cl. 36, Cl. 37, Cl. 38, Cl. 41, Cl. 42. NTT Communications Kabushiki Kaisha	242275	Cl. 12. BIKE TO WORK LTD.
216974	Cl. 28. TY, INC.	242437	Cl. 9, Cl. 30, Cl. 41. CADBURY UK LIMITED
216975	Cl. 28. TY, INC.	242438	Cl. 9, Cl. 30, Cl. 41. CADBURY UK LIMITED
		242453	Cl. 5. COMBE INTERNATIONAL LTD.
		242567	Cl. 12. KIA MOTORS CORPORATION
		242756	Cl. 41, Cl. 44. NORBERT HALASZ

243334	Cl. 19, Cl. 21. SOLAGLAS LIMITED
243625	Cl. 35. SINEAD GLENNON T/A TRANSCRIBE
244566	Cl. 4, Cl. 16, Cl. 35, Cl. 36, Cl. 37, Cl. 38, Cl. 39, Cl. 40, Cl. 42. NTR Plc
252846	Cl. 1. FERRING B.V.
260110	Cl. 37, Cl. 42. THERMATIC MAINTENANCE LIMITED

International Registrations under the Madrid Protocol seeking protection in the State.

Any person desiring to oppose the conferring of protection in the State to the undermentioned marks may, within three months from the date of this Journal give notice to the Controller, Patents Office, Government Buildings, Hebron Road, Kilkenny, in accordance with the provisions of Rule 18.

It should be noted that under the provisions of Rule 63(2) no extension of the opposition period is allowed for lodging opposition under Rule 18.

It is desirable before lodging formal opposition that a communication should be addressed to the holder affording him an opportunity to withdraw his application for protection of the International Registration in the State. In this way cost of opposition proceedings may be avoided.

R ^ Z E R

1300622 30/12/2015

Class 9. Head-mounted display screen devices; electronically encoded identity wristbands; armbands with electronics; microprocessor or microcontroller to be incorporated in necklaces; global positioning system (GPS) device; computer mice; computer keyboards; computer keypads; computer mice mats; computer graphics tablets; graphics amplifiers; computer pens; computer joysticks; earphones; headphones; microphones; headsets; apparatus for cable management for the aforementioned goods; light-emitting diodes (LED); LED lighting specially adapted for the illumination of computer hardware, computer peripherals, light emitting diode displays; programmable light-emitting diodes [LED] controlled by computer software; downloadable computer software, namely downloadable computer

software for controlling LED lighting; computer controls for lighting apparatus; downloadable software that allows subscribers to utilize voice over Internet protocol (VOIP) communication services.

- Class 18. Bags; messenger bags; travel bags; backpacks; knapsacks
- Class 25. Clothing; polo shirts; T-shirts; headgear; caps; sweatbands.
- Class 35. : Retail services; retail sale services; retail store services and online retail services, all in relation to electronic goods, computers, computer hardware, computer peripherals, computer software, computer apparatus, computer programs, games, video games, computer game controls, video game controls, gaming accessories, wristbands specially adapted for electronics, batteries, power supplies, headsets, earphones, speakers, microphones, clothing, footwear, headgear, eyewear, bags, fashion accessories, consumer electronics, apparatus for recording, transmission or reproduction of data, sound or images, audio equipment, audio

apparatus, webcams, electrical machinery, electrical apparatuses, pouches, cases, covers, lighting apparatus, lighting equipment, photographic and cinematographic equipment, photographic and cinematographic apparatus, photographic and cinematographic accessories, horological instruments, chronometric instruments, jewellery, video game apparatus, furniture, furnishings, home appliances, telecommunications devices, mobile phones, mobile phone accessories, preparations for making beverages, preparations for beverages, preparations for foodstuffs, virtual currency, coupons, vouchers, gift cards, prepaid cards, stored value cards, tokens, tickets for shows, tickets for entertainment events, financial products and insurance; demonstration of goods and services, namely electronic goods, computers, computer hardware, computer peripherals, computer software, computer apparatus, computer programs, games, video games, computer game controls, video game controls, gaming accessories, wristbands specially adapted for electronics, batteries, power supplies, headsets, earphones, speakers, microphones, clothing, footwear, headgear, eyewear, bags, fashion accessories, consumer electronics, apparatus for recording, transmission or reproduction of data, sound or images, audio equipment, audio apparatus, webcams, electrical machinery, electrical apparatuses, pouches, cases, covers, lighting apparatus, lighting equipment, photographic and cinematographic equipment,

photographic and cinematographic apparatus, photographic and cinematographic accessories, horological instruments, chronometric instruments, jewellery, video game apparatus, furniture, furnishings, home appliances, telecommunications devices, mobile phones, mobile phone accessories, preparations for making beverages, preparations for beverages, preparations for foodstuffs, virtual currency, coupons, vouchers, gift cards, prepaid cards, stored value cards, tokens, tickets for shows, tickets for entertainment events, financial products and insurance; the bringing together, for the benefit of others, of a variety of goods (excluding the transport thereof), namely electronic goods, computers, computer hardware, computer peripherals, computer software, computer apparatus, computer programs, games, video games, computer game controls, video game controls, gaming accessories, wristbands specially adapted for electronics, batteries, power supplies, headsets, earphones, speakers, microphones, clothing, footwear, headgear, eyewear, bags, fashion accessories, consumer electronics, apparatus for recording, transmission or reproduction of data, sound or images, audio equipment, audio apparatus, webcams, electrical machinery, electrical apparatuses, pouches, cases, covers, lighting apparatus, lighting equipment, photographic and cinematographic equipment, photographic and cinematographic apparatus, photographic and cinematographic accessories,

horological instruments, chronometric instruments, jewellery, video game apparatus, furniture, furnishings, home appliances, telecommunications devices, mobile phones, mobile phone accessories, preparations for making beverages, preparations for beverages, preparations for foodstuffs, virtual currency, coupons, vouchers, gift cards, prepaid cards, stored value cards, tokens, tickets for shows and tickets for entertainment events, enabling customers to conveniently view and purchase those goods from a general merchandise web site in the global communications network; advertising; administrative processing of purchase orders; customer service management; advisory services relating to customer service; presentation of goods on communication media, for retail purposes; promotional marketing; search engine optimization; advertising, sponsorship (promotion and marketing services) and business management of persons who participate in competitions and events for computer games; advertising, sponsorship (promotion and marketing services) of competitions and events for computer games.

Class 36. Financial sponsorship; financial sponsorship of education, training, entertainment, sporting or cultural activities.

Class 45. Online social networking services.

Priority Date Claimed: 22 December 2015 Singapore

Razer (Asia-Pacific) Pte. Ltd., 514 Chai Chee Lane, #07-05, Singapore 469029, Singapore

Representative: Amica Law LLC, 77 Robinson Road, #22-01 Robinson 77, Singapore 068896, Singapore

Address for service: FRKelly, 27 Clyde Road, Ballsbridge, Dublin 4, Ireland

JUGL

1393144 18/08/2017

Class 35. Arranging commercial transactions for third parties, also within the framework of e-commerce; providing and operating online marketplaces for sellers and buyers of goods and services; providing evaluative feedback and ratings of sellers' goods and services, the value and prices of sellers' goods, buyers' and sellers' performance, delivery, and overall experience in connection therewith; provision of commercial and consumer information via on-line interactive databases evaluating buyers and sellers in on-line marketplaces; promoting the goods and services of others; collection and dissemination of statistical, quantitative and qualitative information regarding the sale and resale of items via a global computer network.

Class 38. Providing access to portals on the internet; providing access to multimedia content by means of telecommunications; providing transmission services in relation to using mobile devices, namely, to look up user profile information, search for users, send messages to users, post information viewable by

- users, add contacts and provide notifications; providing access to information, online forums, chatrooms and blogs via the internet; providing access to computer databases; providing access to platforms on the internet, including social media platforms.
- Class 42. Computer programming especially for data processing; maintenance services for computer software; application service providers (ASP) featuring software to enable uploading, posting, displaying, tagging, blogging, sharing or otherwise providing electronic media or information via the internet.
- Class 45. Online social networking services.

Priority Date Claimed: 06 March 2017 Austria

Dipl.-Ing. (FH) Erwin René Treißmann,
Köstenbergerstraße 119/9, A-9220 Velden am
Wörthersee, Austria



1403857 11/01/2018

- Class 12. Vehicles; automobiles; apparatus for locomotion by land; suspension shock absorbers for vehicles; vehicle

- bodies; anti-skid chains; vehicle chassis; vehicle bumpers; sun-blinds adapted for motorized land vehicles; safety belts for vehicle seats; electric vehicles; motors and engines for land vehicles, parts of motors and engines for land vehicles.
- Class 35. Commercial business management in the automotive field; commercial administration in the automotive field; commercial administration of the licensing of third-party goods and services in the automotive field; commercial information agency services in the automotive field; commercial or industrial company management assistance in the automotive field; business management assistance in the automotive field; procurement services for third parties in the automotive field, namely purchase of spare parts and services for other companies in the automotive field, namely contact between suppliers and dealers; demonstration of spare parts; updating and maintenance of data in computer databases; search engine optimization for sales promotion purposes in the automotive field; presentation of goods on all communication means for the retail sale of goods in the automotive field, of new and used motor vehicles and of spare parts.
- Class 37. Vehicle cleaning; vehicle maintenance; vehicle breakdown assistance (repair); retreading, re-gumming, repair and vulcanization of tires; service station services; anti-rust treatment for vehicles; vehicle breakdown assistance (repair); upholstery repair; installation and repair of electric apparatus; information regarding repair, installation, maintenance and

- repair of computers for vehicles; rebuilding of worn or partially destroyed engines.
- Class 39. Distribution (delivery) of goods for vehicles; rental of garage spaces for parking; vehicle rental; vehicle replacement or lending services; vehicle breakdown assistance (towing); vehicle towing; information relating to vehicle rental; garage rental; transport brokerage; rental of vehicle roof racks; rental of motor racing cars; traffic information.
- Class 42. Vehicle roadworthiness testing services.

Priority Date Claimed: 07 September 2017 France
 RENAULT RETAIL GROUP, 2 avenue Denis Papin,
 F-92140 Clamart, France

Colour Claimed: Blue and white.
 Representative: FIDAL, Mme Natalia MOYA-FERNANDEZ, 4/6 avenue d'Alsace, F-92982 Paris la Défense, France
 Address for service: David Birchall, Venner Shipley LLP, 200 Aldersgate, London EC1A 4HD, United Kingdom

MultiMark

1407581 19/04/2018

- Class 6. Injection moulded parts for making/identifying pipes, cables, wires, equipment and other industrial components and hand operated hand tools for the installation of the moulded parts, signboards, labels and adhesive labels; signboards of metal for marking/ identifying of pipes, cables, wires, equipment and

- other industrial components, as well as hand operated hand tools for the installation of the moulded parts, signboards, labels and adhesive labels; Labels and adhesive labels made of metal for marking/ identifying of pipes, cables, wires, equipment and other industrial components, as well as hand operated hand tools for the installation of the moulded parts, signboards, labels and adhesive labels.
- Class 16. Moulded parts of paper for marking/identifying of pipes, cables, wires, equipment and other industrial components, as well as hand operated hand tools for the installation of the moulded parts, signboards, labels and adhesive labels; signboards of paper for marking/ identifying of pipes, cables, wires, equipment and other industrial components, as well as hand operated hand tools for the installation of the moulded parts, signboards, labels and adhesive labels; Labels and adhesive labels made of paper for marking/ identifying of pipes, cables, wires, equipment and other industrial components, as well as hand operated hand tools for the installation of the moulded parts, signboards, labels and adhesive labels.
- Class 20. Injection moulded parts of plastics for making/identifying of pipes, cables, wires, equipment and other industrial components, and hand operated hand tools for the installation of the moulded parts, signboards, labels and adhesive labels; signboards of plastics for marking/ identifying of pipes, cables, wires, equipment and other industrial components, as well as hand operated hand tools for the installation of the moulded parts, signboards, labels and adhesive labels; Labels and adhesive labels

made of plastics for marking/identifying of pipes, cables, wires, equipment and other industrial components, as well as hand operated hand tools for the installation of the moulded parts, signboards, labels and adhesive labels.

Weidmüller Interface GmbH & Co. KG,
Klingenbergstrasse 16, 32758 Detmold, Germany

Representative: Patent- und Rechtsanwälte
Loesenbeck, Specht und Dantz,
Am Zwinger 2, 33602 Bielefeld,
Germany

Address for service: FRKelly, 27 Clyde Road,
Ballsbridge, Dublin 4, Ireland

OLD BOY MARY JANE

1410809 04/05/2018

Class 32. Lager; beer; ale; stout; porter; mineral and aerated waters and other non-alcoholic drinks; fruit drinks and fruit juices; syrups and other preparations for making beverages.

Priority Date Claimed: 17 April 2018 Australia

CLV Frontier Brands PTY LTD, SE2 L1 / 1 Altona Street, WEST PERTH WA 6005, Australia

Representative: Novagraaf UK, Suite 8b, Lowry House, 17 Marble Street, Manchester M2 3AW, United Kingdom

Address for service: Novagraaf UK, Suite 8B, Lowry House, 17 Marble Street, Manchester M2 3AW, United Kingdom



1416873 11/06/2014

Class 21. Drinking troughs.
Class 22. Ropes, string, nets, tents, awnings, tarpaulins, sails, sacks and bags (not included in other classes); padding and stuffing materials (except of rubber or plastics); raw fibrous textile materials.
Class 27. Carpets, rugs, mats and matting, linoleum and other floor coverings; wall hangings, not of textile material.

Van Baal Woningtextiel B.V., Minervum 7218, NL-4817 ZJ Breda, The Netherlands



1416998 11/09/2017

Class 9. Credit cards; encoded credit cards; magnetically encodeddebit cards; encoded prepaid credit cards; readers forcredit cards; encoding machines for credit cards [computerperipherals]; software for credit screening; software forfacilitating secure transactions by credit card; terminalsfor credit cards; terminals for processing electronicpayment with credit cards; applications for smartphones,tablets and computers; applications for smartphones, tabletsand computers to be used for electronic payments and

money transactions; hardware and software for processing electronic payments and money transactions; apparatus adapted for use with cards and data carriers for monetary transactions, as well as data carriers and cards adapted to be used with such apparatus; apparatus adapted to be used for reception of payments and recording and/or accreditation of payments on memory devices, cards and data carriers, as well as data carriers and cards adapted for use with such apparatus; smartphones; tablets; computers and peripherals; apparatus for recording, transmission and reproduction of sound and images.

Class 35. Telecommunications; data transmission via Internet; data exchange and transmission; provision of access to data or documents stored electronically in central files for remote consultation.

Class 38. Telecommunications; data transmission via Internet; data exchange and transmission; provision of access to data or documents stored electronically in central files for remote consultation.

Priority Date Claimed: 03 August 2017 Italy

SIA S.p.A., Via Gonin, 36, I-20147 Milano, Italy

Colour Claimed: Red (Panton 187).

Representative: Studio Professionale Associato a Baker & McKenzie, Piazza Meda, 3, I-20121 Milano, Italy



1417610 23/01/2018

Class 28. Games that are not included in other classes; gaming machines operating with coins, banknotes and cards; gaming machines for gambling.

Euro Games Technology Ltd., "Maritsa" Str. 4, "Vranya-Lozen-Triugulnika", BG-1151 Sofia, Bulgaria

Colour Claimed: Yellow, brown, pink, white and cyclamen., Yellow, brown, pink, white, cyclamen for word elements.

Representative: KOSTADIN MANEV, MANEV AND PARTNERS, Patriarh Evtimii Blvd. 73, floor 1, BG-1463 Sofia, Bulgaria

AQUAHOM

1417781 07/06/2018

Class 7. Apparatus for making aerated water; aerators; cartridges for water filtering machines; compressors for refrigerators; water pumps; filtering machines; parts of filtering installations or motors; apparatus for making mineral waters; filling machines; bottle washing machines; all excluding any other electrical household appliances.

Class 11. Water-purifying apparatus and machines; sterilizers not for

medical use; water filtering apparatus; water purification installations; filters for drinking water; water sterilizer not for medical use; water refrigeration apparatus and installation; water fountains; all excluding any other electrical household appliances.

Class 32. Non-alcoholic beverages; waters; mineral waters; carbonated waters; products for making aerated water.

Priority Date Claimed: 07 December 2017 France

Monsieur Nicolas WEYL, 71 rue Lepic, F-75018 PARIS, France

Notings: The application for registration is proceeding with the consent of the owner of EUTM No. 009569898.

Representative: DBK, Monsieur Jérôme BUSCAIL, 15 rue Saussier Leroy, F-75017 PARIS, France

Address for service: ACUATUS, 42 Dominick Street Lower, Dublin 1, Ireland

computer peripheral devices; electrical communication machines and instruments; magnetic tape units for computers; juke boxes for computers; mouse [computer peripheral]; silicon wafers for integrated circuits; software and apparatus for downloading, receiving, providing, publishing, encoding, decoding, reading, organizing, carrying, storing, transmitting, retrieving music, sounds, images, text, signals, information and code; computer programmes [programs], recorded; interactive computer game programs.

Class 35. Arranging subscriptions to telecommunication services for others; import-export agency services; commercial information agency services; advertising agency services; cost price analysis; rental of advertising space; account auditing; employment agency services; computerized file management; invoicing; demonstration of goods; opinion polling; market studies; business information; business investigations; personnel recruitment; business management and organization consultancy; business organization consultancy; business management consultancy; professional business consultancy; layout services for advertising purposes; business management of performing artists; news clipping services; updating of advertising material; word processing; organization of exhibitions for commercial or advertising purposes; organization of trade fairs for commercial or advertising purposes; shop window dressing; business appraisals; payroll preparation; sponsorship search; business

QUESTION MORE

1420232 22/12/2017

Class 9. Facsimile machines; computer memory devices; floppy disks; optical discs; disk drives for computers; computers; notebook computers; monitors [computer hardware]; magnetic data media; optical data media; computer programs [downloadable software]; processors [central processing units]; scanners [data processing equipment]; data processing apparatus;

management assistance; commercial or industrial management assistance; economic forecasting; auctioneering; office machines and equipment rental; publicity material rental; rental of vending machines; rental of photocopying machines; publication of publicity texts; radio advertising; bill-posting; distribution of samples; dissemination of advertising matter; writing of publicity texts; advertising; on-line advertising on a computer network; advertising by mail order; television advertising; document reproduction; compilation of statistics; business inquiries; systemization of information into computer databases; tax preparation; drawing up of statements of accounts; commercial administration of the licensing of the goods and services of others; public relations; modelling for advertising or sales promotion; relocation services for businesses; price comparison services; procurement services for others [purchasing goods and services for other businesses]; book-keeping; compilation of information into computer databases; business efficiency expert services; photocopying services; telephone answering for unavailable subscribers; administrative processing of purchase orders; business management of hotels; psychological testing for the selection of personnel; copy writing for advertising and promotional purposes; typing; rental of advertising time on communication media; presentation of goods on communication media, for retail purposes; data search in computer files for others; arranging newspaper

subscriptions for others; secretarial services; business information and appraisal services; marketing; commercial information and advice for consumers [consumer advice shop]; transcription of communications [office functions]; sales promotions at point of purchase or sale, for others; arranging commercial transactions, for others, via on-line shops.

Class 38. News agency services; television broadcasting; cable television broadcasting; electronic bulletin board services [telecommunications services]; information about telecommunication; providing access to databases; providing telecommunications connections to a global computer network; message sending; computer aided transmission of messages and images; transmission of telegrams; rental of message sending apparatus; rental of modems; rental of telecommunication equipment; rental of telephones; rental of facsimile apparatus; radio broadcasting; communications by fiber optic networks; communications by cellular phones; communications by computer terminals; satellite transmission; communications by telegrams; communications by telephone; facsimile transmission; telex services; voice mail services; telegraph services; telephone services; telecommunications routing and junction services; providing Internet chatrooms; providing user access to the Internet [service providers]; providing telecommunication channels for teleshopping services; communication of data by electronic mail; rental of access time to global computer networks;

<p>teleconferencing services.</p> <p>Class 41. Modelling for artists; academies [education]; videotaping; physical education; discotheque services; animal training; dubbing; gambling services; publication of books; education information; recreation information; entertainment information; entertainment in the nature of ongoing television programs in the field of news; production and distribution of television programs in the field of news; movie studio services; microfilming; videotape editing; production of radio and television programmes; religious education; gymnastic instruction; correspondence courses; practical training [demonstration]; organization of balls; arranging and conducting of colloquiums; arranging and conducting of congresses; arranging and conducting of conferences; arranging and conducting of concerts; arranging and conducting of workshops [training]; arranging and conducting of seminars; arranging and conducting of symposiums; arranging of beauty contests; organization of lotteries; organization of shows [impresario services]; organization of sports competitions; vocational guidance [education or training advice]; amusement park services; sign language interpretation; television entertainment; mobile library services; providing golf facilities; providing amusement arcade services; cinema presentations; presentation of live performances; theatre productions; educational examination; production of motion pictures; rental of audio equipment; rental of</p>	<p>video cameras; rental of video cassette recorders; rental of videotapes; rental of show scenery; rental of motion pictures; rental of lighting apparatus for theatrical sets or television studios; rental of radio and television sets; electronic desktop publishing; on-line publication of electronic books and journals; radio entertainment; entertainer services; entertainment services; writing of texts; news reporters services; party planning [entertainment]; music composition services; subtitling; calligraphy services; teaching; orchestra services; translation; recording studio services; photography; photographic reporting; boarding school education; production of shows; booking of seats for shows; sport camp services; providing museum facilities [presentation, exhibitions]; scriptwriting, other than for advertising purposes; ticket agency services [entertainment]; publication of texts, other than publicity texts; rental of stadium facilities; rental of cinematographic apparatus; rental of sound recordings; videotape film production, other than advertising films; holiday camp services [entertainment]; organization of competitions [education or entertainment]; providing recreation facilities; organization of exhibitions for cultural or educational purposes; providing on-line electronic publications, not downloadable; game services provided online from a computer network; presentation of variety shows; layout services, other than for advertising purposes; nightclub services [entertainment]; entertainment</p>
--	---

club services; health club services [health and fitness training]; nursery schools.

Class 42. Computer system analysis; graphic arts design; computer virus protection services; installation of computer software; computer software consultancy; updating of computer software; design of interior decor; conversion of data or documents from physical to electronic media; computer system design; rental of web servers; computer rental; duplication of computer programs; computer software design; creating and maintaining web sites for others; computer programming; hosting web sites on the Internet; rental of computer software; conversion of computer programs and data, other than physical conversion; computer software support services; recovery of computer data.

Priority Date Claimed: 11 December 2017 Russian Federation

Autonomous nonprofit organization "TV-Novosti", Borovaya street, 3, korp. 1, RU-111020 Moscow, Russian Federation

Representative: Grigoryeva Anna reg. 7755, p.o. box 21, RU-125476 Moscow, Russian Federation



1421253 31/01/2018

Class 28. Gaming machines for gambling; chips for gambling; mah-jong; automatic amusement machines; arcade games; playing cards; board

games; LCD game machines; slot machines [gaming machines]; gaming equipment in the field of gambling.

Euro Games Technology Ltd., "Maritsa" Str. 4, "Vranya-Lozen-Triugulnika", BG-1151 Sofia, Bulgaria

Colour Claimed: Yellow, green, blue, light blue, dark blue, brown, white and black., Yellow, green, blue, light blue, dark blue, brown, white and black - for the word and figurative elements.

Representative: KOSTADIN MANEV MANEV AND PARTNERS, 73, Patriarh Evtimii Blvd., Floor 1, BG-1463 SOFIA, Bulgaria

VisionBlue

1421765 02/07/2018

Class 9. 3D virtual reality glasses; optical data carriers; testing apparatus not for medical purposes; electric control apparatus; software for use with 3D virtual reality glasses and optical data carriers; mobile apps for use with 3D virtual reality glasses and optical data carriers; all of the aforesaid goods in the fields of industrial process measurement, industrial process automation, environmental measurement and monitoring, laboratory measurement, laboratory automation technology, supply chain management, plant and inventory' management, manufacturing and building automation.

Class 35. Compilation of electronically transmitted data in the areas of industrial process

measurement, industrial process automation, environmental measurement and monitoring, laboratory measurement, laboratory automation technology, supply chain management, plant and inventory management, manufacturing and building automation.

Class 38. Internet communication services in the fields of industrial process measurement, industrial process automation, environmental measurement and monitoring, laboratory measurement, laboratory automation technology, supply chain management, plant and inventory management, manufacturing and building automation.

Priority Date Claimed: 12 April 2018 Germany

Endress+Hauser SE+Co. KG, Hauptstrasse 1, 79689 Maulburg, Germany

Representative: Dr.Christian Hahn; Dr. Astrid Sotriffer; Veronika Kutscher (each individually entitled to represent) c/o Endress+Hauser (Deutschland) AG+Co. KG, Colmarer Strasse 6, 79576 Weil am Rhein, Germany

Address for service: Dr. Astrid Sotriffer, Endress + Hauser (Deutschland) AG + Co. KG, Colmarer StraBe 6, 79576 Weil am Rhein, Germany



1421959 23/03/2018

Class 35. Advertising; invoicing; business inquiries; providing business information via a web site; compilation of

information into computer databases; compilation of statistics; business information; commercial information and advice for consumers (consumer advice shop); word processing; updating and maintenance of data in computer databases; updating and maintenance of information in registries; commercial information agency services; commercial intermediation services; price comparison services; data search in computer files for others; rental of advertising time on communication media; publication of publicity texts; on-line advertising on a computer network; systemization of information into computer databases; business management; business administration; administration of consumer loyalty programs; cost price analysis; web indexing for commercial or advertising purposes; market studies; opinion polling; business research; economic forecasting; business management of sports people; business management of reimbursement programmes for others; computerized file management; consultancy regarding advertising communications strategy; business organization consultancy; marketing; marketing research; provision of commercial and business contact information; provision of an on-line marketplace for buyers and sellers of goods and services; writing of publicity texts; scriptwriting for advertising purposes; updating of advertising material; web site traffic optimization; organization of exhibitions for commercial or advertising purposes; rental of advertising space; business

Class 41.	<p>appraisals; business management and organization consultancy; business intermediary services relating to the matching of potential private investors with entrepreneurs needing funding; business efficiency expert services; outsourcing services (business assistance); layout services for advertising purposes; news clipping services; modelling for advertising or sales promotion; advertising agency services; public relations; sponsorship search; search engine optimization for sales promotion; presentation of goods on communication media, for retail purposes; publicity material rental; direct mail advertising; radio advertising; registration of written communications and data; pay per click advertising; bill-posting; outdoor advertising; advertising by mail order; distribution of samples; dissemination of advertising matter; design of advertising materials; business investigations; compiling indexes of information for commercial or advertising purposes; sales promotion for others; production of teleshopping programmes; production of advertising films; television advertising; telemarketing services; negotiation and conclusion of commercial transactions for third parties; professional business consultancy.</p> <p>Entertainment; electronic desktop publishing; providing on-line electronic publications, not downloadable; entertainment information; writing of texts; organization of competitions (education or entertainment); news reporters services; publication of texts, other than publicity texts; timing of</p>	<p>sports events; providing of training; sporting and cultural activities; arranging and conducting of conferences; arranging and conducting of in-person educational forums; arranging and conducting of workshops (training); arranging and conducting of seminars; providing on-line videos, not downloadable; providing on-line music, not downloadable; providing television programmes, not downloadable, via video-on-demand transmission services; providing films, not downloadable, via video-on-demand transmission services; providing sports facilities; recreation information; education information; scriptwriting, other than for advertising purposes; organization of exhibitions for cultural or educational purposes; organization of sports competitions; layout services, other than for advertising purposes; photographic reporting; practical training (demonstration); on-line publication of electronic books and journals; publication of books; photography.</p>
		<p>ILICHEV ROMAN, prospekt Nauky, 17/15, kv. 13, Kyiv 03028, Ukraine</p>
		<p>Colour Claimed: Light red, dark red, gray-blue, white and light gray.</p>
		<p>Representative: OSTAPCHUK VIKTORIIA, P.O. Box 280, KYIV 01030, Ukraine</p>

LEXY

1422223 06/06/2018

Class 7. Internal combustion engine (except the engine of automobile, tractor, grain combine harvester, motorcycle, gasoline chain saw and steam locomotive); dynamos; pumps [machines]; valves [parts of machines]; compressed air machines; machines and apparatus for cleaning, electric; motors, other than for land vehicles; kitchen machines, electric; washing machines [laundry]; shoe polishers, electric; dust exhausting installations for cleaning purposes; electric waxing machine for household purpose; food preparation machines, electromechanical; fruit presses, electric, for household purposes; soyabean milk maker for household purposes; mixing machines.

Class 11. Lamps; cooking utensils, electric; refrigerating apparatus and machines; heating apparatus; bath fittings; radiators, electric; hair dryer; water purification installations; heating installations; air purifying apparatus and machines; air humidification facility; microwave ovens [cooking apparatus]; coffee machines, electric; kettles, electric; cooking apparatus and installations.

KINGCLEAN ELECTRIC CO., LTD, No.1
Xiangyang Road, New District, Suzhou, 215009
Jiangsu, China

Representative: NEW SUZHOU
TRADEMARK AGENCY, F6,
79 North Nanyuan Road,
Suzhou, Jiangsu Province,
China



DABALASH
PROFESSIONAL EYELASH ENHANCER

1422992 17/04/2018

Class 3. Cosmetics for the eyebrows and eyelashes.

REGINALDO TORRES ALVAREZ, 5 de Febrero
#902 Altos, Zona NTE Ciudad Obregon, 85010
Sonora, Mexico

Colour Claimed: Pantone Solid Coated Process
Magenta C C= 0% M= 100%
Y= 0% K= 0%, THE ENTIRE
MARK

Representative: LUIS LEONARDO SÁNCHEZ
HERRERA MORO, Hera 76,
Crédito Constructor, Benito
Juárez, 03940 Ciudad de
México, Mexico

Registration of this Trade Mark gives no right to the
exclusive use of PROFESSIONAL EYELASH
ENHANCER

PUREZZA

PREMIUM WATER

1423096 17/07/2018

Class 11. Apparatus for heating, refrigerating and water supply; drinking water dispensing machines; filters, purifying apparatus and parts and fittings for the aforesaid goods.

Class 21. Household or kitchen containers; earthenware; bottles; drinks containers; beverage coolers; thermal insulated containers for drinks; drinking receptacles.

Priority Date Claimed: 28 June 2018 United Kingdom

WLI Trading Limited, Second Floor, Suite 4, Beacon Court, Sandyford, Dublin, Ireland

Representative: Dolleymores, 9 Rickmansworth Road, Watford, Hertfordshire WD18 0JU, United Kingdom

HOTEL QT

1431846 05/09/2018

- Class 41. Entertainment services in the nature of music, performances, artistic displays, cabaret and nightclub entertainment; nightclub services; providing facilities for outdoor recreational activities; providing facilities for outdoor recreational entertainment; providing recreational facilities.
- Class 43. Services for providing food and drink; temporary accommodation; restaurant services; bar, cafe, cocktail lounge services; providing banquet and social function facilities for special occasions; catering services.

Priority Date Claimed: 03 August 2018 United States of America

HotelsAB, LLC, 10th Floor, 158 Mercer Street, New York NY 10012, United States of America

Representative: Christopher M. Dolan BARNES & THORNBURG, One North Wacker Drive, Suite 4400, Chicago IL 60606, United States of America

Address for service: FRKelly, 27 Clyde Road, Ballsbridge, Dublin 4, Ireland

BREW MONDAY

1443233 31/08/2018

- Class 21. Household or kitchen utensils and containers; glassware, porcelain and earthenware; cups, mugs and teapots.
- Class 30. Coffee, tea, cocoa and hot chocolate; tea bags; bread, pastry and confectionery; biscuits.
- Class 36. Charitable fundraising; financial grant-making; organising of charitable collections; management and monitoring of charitable funds.
- Class 41. Education; training; entertainment; sporting and cultural activities; organising of recreational events; provision of social club services; publishing (including electronic publishing); provision of non-downloadable online publications.
- Class 43. Catering services; provision of food and drink; serving of food and drink for guests.
- Class 44. Healthcare including mental healthcare; psychological counselling; medical counselling; health counselling; providing health (including mental health) information on how to alleviate or reduce misery, loneliness, despair, and depression, and concerning physical, mental, psychological or emotional well-being; Medical and psychological services provided for self-help groups; information and advisory services relating to mental health issues, including depression, loneliness and despair; health (including mental health) assessment services.
- Class 45. Provision of emotional support to individuals,

including listening and supporting those who feel isolated, alone, unloved, betrayed, uncertain, undecided or unaccepted.

Priority Date Claimed: 31 May 2018 United Kingdom

Samaritans, The Upper Mill, Kingston Road, Ewell, Surrey KT17 2AF, United Kingdom

Representative: Bates Wells & Braithwaite
London LLP, 10 Queen Street
Place, London EC4R 1BE,
United Kingdom

Address for
service: HANNA MOORE + CURLEY,
Garryard House, 25/26 Earlfort
Terrace, Dublin 2 D02 PX51,
Ireland



1453500 21/12/2018

Class 37. Building construction; building repair and maintenance; installation services, namely, installation of lighting apparatus, security systems, doors, HVAC (Heating, ventilation and air conditioning), flooring, wiring, machinery, audiovisual equipment, fixtures and fittings for buildings, and computer hardware and

telecommunication apparatus; construction supervision; construction project management services; real estate construction services.

Class 42. Non-downloadable computer software platform for the purposes of monitoring, analyzing and controlling environmental conditions and devices within a building, facility, grounds of designated spatial area and providing information to manage activities in the area; non-downloadable computer software platform for the purposes of facilities management to control building environment, access and security systems; non-downloadable computer software platform and software as a service (SAAS) for the purposes of spatial mapping of floor plans and fixtures; non-downloadable computer software platform and software as a service (SAAS) for the purposes of management of spatial information for the purpose of space optimization within a building or other facility; non-downloadable computer software platform and software as a service (SAAS) for the purposes of visualization, animation and analytics of spatial data; non-downloadable software platform and software as a service (SAAS) that manages a pipeline of real estate deals and assets of others; non-downloadable software platform and software as a service (SAAS) for administering leases, tracking lease negotiations and tracking lease documentation; non-downloadable software platform and software as a service (SAAS) for administering and managing co-working facilities; non-downloadable software

platform and software as a service (SAAS) featuring technology enabling users to remotely view, monitor, program, operate and control electrical systems and security systems in offices; planning and layout design services for interior space of business establishments; data mining; planning and layout design services for interior space of business establishments; hosting a website featuring non-downloadable software that enables users to remotely view, monitor, program, operate and control electrical systems and security systems in offices; non-downloadable visitor registration computer software that records entry and exit of visitors and collects visitor information; non-downloadable visitor registration computer software that enables preparation and distribution of signed electronic visitor registration documents; non-downloadable visitor registration computer software that enables the printing of visitor badges with photos; non-downloadable visitor registration computer software that notifies others of the arrival of a visitor; non-downloadable visitor registration computer software that prepares reports of visitors; technical support services, namely troubleshooting in the nature of diagnosing computer hardware and software problems; technical support services, namely, troubleshooting of computer hardware and software problems; architectural design; interior design services; design of specialty interior and exterior environment settings; graphic design services; industrial design services; engineering

services for building and property condition assessment, facility management, repair and restoration and building instrumentation; information and data analysis relating to planning and laying out design for the interior space and fixtures of buildings and offices; planning of buildings and infrastructure systems for buildings; construction planning.

Priority Date Claimed: 25 June 2018 United Kingdom

WeWork Companies Inc., 115 West 18th Street,
NEW YORK NY 10011, United States of America

Representative: Nadine H. Jacobson, Esq.
FROSS ZELNICK LEHRMAN
& ZISSU, P.C., 4 Times Square,
17th Floor, New York NY
10036, United States of
America

Address for service: FRKelly, 27 Clyde Road,
Ballsbridge, Dublin 4, Ireland

International Trade Marks protected in the State

0978651 (2378) Cl. 39, 41, 43
Elke Hare of Germany

1269842 (2378) Cl. 3
Shantou Qincai Cosmetics Co., Ltd. of China

1379094 (2378) Cl. 16, 39
LADM Liesegang Aymans Decker
Mittelstaedt & Partner of Germany

1388655 (2378) Cl. 32, 33
LICORES Y MOJITOS TEOREY, S.L of
Spain

1398782 (2378) Cl. 1, 5
FrieslandCampina Nederland B.V. of The
Netherlands

- 1401661** (2378) Cl. 5
KRKA, tovarna zdravil, d.d., Novo mesto of Slovenia
- 1408873** (2378) Cl. 9, 35, 41
"MOZZART" DOO of Serbia
- 1421809** (2378) Cl. 29, 30, 32, 35
The Coca-Cola Company of United States of America
- 1422579** (2378) Cl. 39, 41
OFFICE DU TOURISME ET DES CONGRES DE PARIS of France
- 1422815** (2378) Cl. 35, 36, 37, 38, 39, 41, 42, 45
RCM Holding & Management AG of Switzerland
- 1423612** (2378) Cl. 3
Zotos International, Inc. of United States of America
- 1423786** (2378) Cl. 9, 35, 42, 45
CONSORT NT HOLDING of France
- 1423867** (2378) Cl. 3, 8, 10, 35, 41, 44
PHIACADEMY DOO BEOGRAD of Serbia
- 1423888** (2378) Cl. 3, 8, 10, 35, 41, 44
PHIACADEMY DOO BEOGRAD of Serbia
- 1423960** (2378) Cl. 1, 8, 11, 16
BOSTIK SA of France
- 1424098** (2378) Cl. 25
Guillaume Linossier of France
- 1424315** (2378) Cl. 11
ECE BANYO GEREÇLERI SANAYI VE TICARET ANONIM SIRKETI of Turkey
- 1424541** (2378) Cl. 35, 42
GROUPE ESTIA of France
- 1424586** (2378) Cl. 6, 7, 9, 17, 37, 40, 42
Ameriforge Group Inc. of United States of America
- 1424730** (2378) Cl. 25, 45
Young Life of United States of America
- 1424747** (2378) Cl. 37, 39, 42
JOINT STOCK COMPANY «RUSSIAN RAILWAYS» of Russian Federation
- 1424758** (2378) Cl. 37, 39, 42
JOINT STOCK COMPANY «RUSSIAN RAILWAYS» of Russian Federation
- 1424776** (2378) Cl. 9, 28
Euro Games Technology Ltd. of Bulgaria
- 1424852** (2378) Cl. 9, 28
Euro Games Technology Ltd. of Bulgaria
- 1425401** (2378) Cl. 29
AKCINE BENDROVE "PIENO ZVAIGZDES" of Lithuania
- 1425425** (2378) Cl. 29
AKCINE BENDROVE "PIENO ZVAIGZDES" of Lithuania
- 1425443** (2378) Cl. 29
AKCINE BENDROVE "PIENO ZVAIGZDES" of Lithuania
- 1425475** (2378) Cl. 9, 28
Euro Games Technology Ltd. of Bulgaria
- 1425529** (2378) Cl. 33
Skrewball Spirits, LLC of United States of America
- 1425567** (2378) Cl. 9, 35, 36, 42
Sunbit, Inc. of United States of America
- 1425723** (2378) Cl. 36
"mBank" S.A. of Poland
- 1425777** (2378) Cl. 39
EMMANKO AG of Switzerland
- 1425788** (2378) Cl. 3, 5, 41, 42, 44
Galenica AG of Switzerland
- 1425958** (2378) Cl. 5, 6, 10, 44
Simpladent GmbH of Switzerland
- 1425963** (2378) Cl. 9
Carl Zeiss Vision GmbH of Germany
- 1426046** (2378) Cl. 9, 10, 44
Carl Zeiss Vision GmbH of Germany
- 1426064** (2378) Cl. 35, 36, 41, 44
Christians Against Poverty of United Kingdom
- 1427875** (2378) Cl. 11
JIANGSU PERSONLITE LIGHTING CO., LTD. of China

1428005 (2378) Cl. 7
GD HAN'S YUEMING LASER GROUP CO.,
LTD. of China

Cancellations effected for the following goods/services under the Madrid protocol

- 1201564** Cancellation in respect of all goods and services registered at WIPO on 26/04/2019.
- 1419629** DMS PRIME ACCESS
Cancellation in respect of all goods and services registered at WIPO on 04/04/2019 00:00:00.
- 1154462** MDLZ
Goods/Services remaining:
Class 29.
Fish, fish and seafood products, all these products in the form of extracts, soups, jellies, spreads, canned products, cooked, deep-frozen or dehydrated dishes; preserved, frozen, preserved, dried and cooked fruits, mushrooms and vegetables; jellies; jams; compotes; eggs; milk and milk products; edible oils and fats; fruit pulp and salads; vegetable salads; tinned fish, vegetables and fruit; edible jellies; pollen prepared as foodstuff; algae essences for food purposes; preserved soya beans for food; protein for human consumption; soups; clear soups; thick soups; concentrated soups; vegetable juices for kitchen use; butter; cream; yoghurts; cheeses; processed cheese; processed cheese foods; cottage cheese; sour cream; cream cheese; preparations for making bouillon; potato products, potato flakes, crisps and chips bases on potato; ready-cooked meals made with the above products; milk substitutes; beverages with a milk base; beverages made with milk; desserts made with milk and desserts made with cream; soya milk (milk substitutes); protein preparations for human consumption; whiteners for coffee and/or tea (cream substitutes); peanut butter; bouillon cubes; stock; broths; pickles; processed nuts; prepared meals containing cheese;

processed cheese dips and spreads; vegetable-based spreads and dips; snack mix consisting primarily of processed fruits and nuts; flavored and sweetened gelatins.

Class 30.

Bakery products; dough preparations; snack products in the form of popcorn, cereal chips as well as snack products based on corn, barley, rye flour or pastry; coffee; tea; cocoa; sugar; rice; tapioca; sago; artificial coffee; flour and preparations made from cereals; bread; pastry and confectionery; ices; honey; treacle; yeast; baking-powder; salt; mustard; vinegar; sauces (condiments); spices; ice; cookies; wafers; waffles; biscuits; chocolate; chocolate products; vegetal preparations for use as coffee substitutes; non-medicinal infusions; natural sweeteners; glucose for food; pasta; semolina; dried cereal flakes; cakes; brioche; pancakes; tarts; pies; sugar confectionery; chocolate confectionery; royal jelly for human consumption (not for medical use); aniseed; star aniseed; malt extract for food; flavourings other than essential oils; aromatic preparations for food; dressings for salads; ketchup; mayonnaise; seasonings; thickening agents for cooking foodstuffs; weeds (condiments); spices; preserved garden herbs; ice for refreshment; sandwiches; pizzas; snacks made of rice; spring rolls; sushi; tabbouleh; tortillas; tacos; ready-cooked meals made with the above products; coffee extracts; beverages made with coffee and preparations made with coffee; iced coffee; artificial coffee; artificial coffee extracts; preparations and beverages made with artificial coffee; tea; tea extracts and preparations made with tea; cocoa; preparations and beverages made with cocoa; chocolate; preparations and beverages made with chocolate; sugar; natural sweeteners; malt-based preparations for human consumption; chewing gum, not for medical purposes; caramels; prepared dessert (confectionery); puddings; ices; water ices; sorbets; frozen confectionery; frozen cakes; ice cream; frozen desserts (confectionery); powders and binding agents (included

in this class) for making ices and/or water ices and/or sorbets and/or frozen confectionery and/or frozen cakes and/or ice cream and/or frozen desserts (confectionery); breakfast cereals; muesli; corn flakes; cereal bars; ready-to-eat cereals; pasta, noodles; foodstuffs containing rice, flour or cereals, also in the form of cooked dishes; pasta and ready-to-bake cake dough preparations; soya sauce; products for flavoring or seasoning foodstuffs; horseradish; relishes; barbeque sauces; marshmallows; grain-based snack foods; crackers; packaged meals consisting primarily of pasta and sauces; cheese sauces; high protein cereal bars.

Class 32.

Mineral and aerated waters and other non-alcoholic drinks; fruit drinks and fruit juices; syrups and other preparations for making beverages; isotonic beverages; lemonades; tomato juice; vegetable juices (beverages); pastilles and powders for aerated drinks; essences for making beverages; non-alcoholic preparations for making liqueurs; beverages containing soya (not being dairy substitutes); non-alcoholic beverages containing malt.

Class 35.

Advertising; business management; business administration; office functions; rental of vending machines; demonstration of goods; presentation of goods on any communication media for retail purposes, namely sales promotion; commercial information and advice to consumers; organization of exhibitions and trade fairs for commercial or advertising purposes; advertising, including via computer networks in the form of data, text, images, sounds or all combinations thereof for selling products and retailing services as well as provision of information about products for advertising and sales purposes; online advertising on a computer network; sale promotion by distributing catalogues online (for others); business management of retail stores; sales promotion for others; procurement for others (purchasing goods and services for other business) as well as export and import agency in respect of a

variety of goods in the field of health, food, beverages, household fittings and equipment, articles and utensils for the kitchen and the household, stationery, electric household appliances, electrical apparatus and printed matter; the bringing together for the benefit of others of a variety of goods, namely, health products, food products, beverages, household fittings and equipment, articles and utensils for the kitchen and the household, stationery, electric household appliances, electrical apparatus and printed matter (excluding the transport thereof), enabling customers to conveniently view and purchase those goods from a wholesale outlet and from a general merchandise web site in the global communications network; publishing of product catalogues and mail order catalogues; sales promotions relating to products in the field of health, food, beverages, household fittings and equipment, articles and utensils for the kitchen and the household, stationery, electric household appliances, electrical apparatus and printed matter; retail services and sample distribution services in connection with beverages and foodstuffs for medical purposes, nutritional and dietetic additives for medical purposes, medicinal herbs, herbal teas, mineral food supplements, chewing gum for medical purposes, antiseptics, dietetic confectionery for medical purposes, automatic vending machines, automatic dispensers for hot and cold foodstuffs and beverages, related refill components, cartridges and spare parts for these machines and apparatus, electric machines and apparatus for preparing all types of refrigerated, cold or hot drinks including coffee, tea, and chocolate and/or cocoa drinks, cappuccinos (except for electromechanical machines), electric coffee pots, percolators and machines, cartridges and refills for these apparatus and machines including capsules and spare parts for these machines, electronic coffee filters, electric fryers, ice appliances, paper, cardboard and goods made from these materials, printed matter, bookbinding material, photographs, stationery, adhesives for

stationery or household purposes, artists' materials, paint brushes, typewriters and office requisites (except furniture), instructional and teaching material (except apparatus), plastic materials for packaging, printers' type, printing blocks, paper coffee and tea filters, paper or plastic packaging bags, pouches and sheets, paper sheets (stationery), paint boxes (articles for use in school), school supplies, office staples, drawing pins, pencil sharpeners, correcting fluids, paper cutters, pencils, pencil lead holders, rubber erasers, envelopes, files, scrapbooks, books, periodicals, almanacs, pamphlets, writing or drawing books, catalogues, calendars, lithographs, engravings, paintings, posters, geographic maps, newspapers, spools for inking ribbons, sealing machines, postage stamps, greeting cards, postcards, table napkins, household or kitchen utensils and containers, unworked or semi-worked glass (except glass used in building), glassware, porcelain and earthenware, non electric coffee percolators and filters, tea pots, tea and coffee cups, non-electric household or kitchen utensils and receptacles (neither of precious metal, nor plated therewith), cooking pot sets, plates, bowls, tumblers, sweetmeats boxes, not of precious metals, drinking vessels, saucepans, glass boxes, biscuit tins, picnic baskets (fitted-) including dishes, thermally insulated containers for food, vacuum bottles, corkscrews, bottle-openers, isothermic bags, drinking flasks for travellers, non-electric portable coolers, non-electric heaters for feeding bottles, bowls, baskets, for domestic use, not of precious metal, clothing, footwear, headgear, tee-shirts, shirts, skirts, pullovers, sweat-shirts, blouses, jeans, trousers, Bermuda shorts, dresses, polo shirts, coats, jackets, denim jackets, anoraks, waistcoats, overalls, blazers, scarves, sashes for wear, shawls, combinations, salopettes, socks, ankle socks, stockings, tights, nightshirts, pyjamas, dressing gowns, babies' clothes, underclothes for babies, rompers, bonnets for babies, underwear, lingerie, corsets, hosiery,

belts, muffler, gloves, ties, braces, headbands, bathing fashion for gentlemen and ladies, bathing trunks, bathing suits, bikinis, bathing caps, beach robes, leisure and city shoes for gentlemen and ladies, children's footwear, caps, hats, work clothing, work shoes, fish, fish and seafood products, all these products in the form of extracts, soups, jellies, spreads, canned products, cooked, deep-frozen or dehydrated dishes, preserved, frozen, dried and cooked fruits, mushrooms and vegetables, jellies, jams, compotes, eggs, milk and milk products, edible oils and fats, fruit pulp and salads, vegetable salads, tinned fish, vegetables and fruit, edible jellies, pollen prepared as foodstuff, algae essences for food purposes, preserved soya beans for food, protein for human consumption, soups, clear soups, thick soups, concentrated soups, vegetable juices for kitchen use, butter, cream, yoghurts, cheeses, processed cheese, processed cheese foods, cottage cheese, sour cream, cream cheese, preparations for making bouillon, potato crisps, ready-cooked meals made with the above products, milk substitutes, beverages made with milk, desserts made with milk and desserts made with cream, soya milk (milk substitutes), protein preparations for human consumption, whiteners for coffee and/or tea (cream substitutes), peanut butter, bouillon cubes, stock, broths, pickles, processed nuts, prepared meals containing cheese, processed cheese dips and spreads, vegetable-based spreads and dips, snack mix consisting primarily of processed fruits and nuts, protein-based snack bars, coffee, tea, cocoa, sugar, rice, tapioca, sago, artificial coffee, flour and preparations made from cereals, bread, pastry and confectionery, ices, honey, treacle, yeast, baking powder, salt, mustard, vinegar, sauces (condiments), spices, ice, cookies, wafers, waffles, biscuits, chocolate, chocolate products, vegetal preparations for use as coffee substitutes, non- medicinal infusions, natural sweeteners, glucose for food, pasta, semolina, dried cereal flakes, cakes, brioches, pancakes, tarts, pies, sugar confectionery, royal jelly for

human consumption (not for medical use), aniseed, star aniseed, malt extract for food, flavourings other than essential oils, aromatic preparations for food, yeast, dressings for salads, ketchup, mayonnaise, seasonings, thickening agents for cooking foodstuffs, weeds (condiments), spices, preserved garden herbs, ice for refreshment, sandwiches, pizzas, snacks made of rice, spring rolls, sushi, tabbouleh, tortillas, tacos, ready-cooked meals made with the above products, coffee extracts, beverages made with coffee and preparations made with coffee, iced coffee, artificial coffee, artificial coffee extracts, preparations and beverages made with artificial coffee, tea, tea extracts and preparations made with tea, cocoa, preparations and beverages made with cocoa, chocolate, preparations and beverages made with chocolate, sugar, natural sweeteners, malt-based preparations for human consumption, chewing gum, not for medical purposes, wafers, caramels, desserts, puddings, ices, water ices, sorbets, frozen confectionery, frozen cakes, ice cream, frozen desserts, powders and binding agents for making ices and/or water ices and/or sorbets and/or frozen confectionery and/or frozen cakes and/or ice cream and/or frozen desserts, breakfast cereals, muesli, corn flakes, cereal bars, ready-to-eat cereals, pasta, noodles, foodstuffs containing rice, flour or cereals, also in the form of cooked dishes, pasta and ready-to-bake cake dough preparations, soya sauce, products for flavoring or seasoning foodstuffs, horseradish, relishes, barbeque sauces, marshmallows, grain-based snack foods, crackers, flavored and sweetened gelatins, stuffing mixes containing bread, packaged meals consisting primarily of pasta and sauces, cheese sauces, mineral and aerated waters and other non-alcoholic drinks, fruit drinks and fruit juices, syrups and other preparations for making beverages, isotonic beverages, lemonades, tomato juice, vegetable juices (beverages), pastilles and powders for aerated drinks, essences for making beverages, preparations for making liqueurs, beverages containing

milk ferments, beverages containing soya and non-alcoholic beverages containing malt; retail services and sample distribution services in connection with medical preparations for slimming purposes, medicinal infusions, vitamin preparations, preparations of trace elements for human and animal use, foodstuffs and lacteal flour for babies, medical or sanitary disinfectants (excluding soaps), anti-insect products, insecticides, insect repellents, antiparasitic preparations, antiparasitic collars for animals, animal washes, sunscreen products (sunburn ointments), antiseptic cotton, absorbent cotton, sanitary pads, napkins and panties, menstruation tampons, breast-nursing pads, sterilising preparations, adhesives for dentures, deodorants, other than for personal use, air purifying preparations, solutions for use with contact lenses, beers.

Date of Recordal of Cancellation:
07/03/2019

1113132

NS&SM

Goods/Services remaining:

Class 6.

Alloys of common metal; aluminium; aluminium foil; aluminium wire; balls of steel; boxes of common metal; brackets of metal for building; brass, unwrought or semi-wrought; brazing alloys; rods of metal for brazing; building boards of metal; buildings of metal; cast iron, unwrought or semi-wrought; cast steel; common metals, unwrought or semi-wrought; containers of metal for storage; copper, unwrought or semi-wrought; crash barriers of metal for roads; fittings of metal for building; flanges of metal (collars); foundry moulds of metal; framework of metal for building; gold solder; indium; ingots of common metal; iron ores; iron, unwrought or semi-wrought; iron wire; joists of metal; lead, unwrought or semi-wrought; linings of metal (building); manhole covers of metal; manifolds of metal for pipelines; materials of metal for funicular railway permanent ways; metals in powder form; nickel; niobium; pillars of metal for buildings; pipe muffs of metal; poles of metal; posts of metal; props of

metal; railroad ties of metal; rails of metal; railway material of metal; railway sleepers of metal; reinforcing materials of metal for building; sheet piles of metal; sheets and plates of metal; silver plated tin alloy; silver solder; sleeves (metal hardware); soldering wire of metal; steel alloys; steel pipes; steel sheets; steel strip; steel, unwrought or semi-wrought; steel wire; strap-hinges of metal; tantalum (metal); tin; tinfoil; tinplate; tinplate packings; titanium; titanium iron; tombac; trellis of metal; tubes of metal; tungsten; vanadium; rods of metal for welding; wire of common metal; wire of common metal alloys, except fuse wire; wire rope; zirconium; steel bars; steel strands; steel cables; steel shapes; wire of metal for welding; heavy steel plates; hot-rolled steel sheets and coils; cold-rolled steel sheets and coils; tin free steel sheets and coils; electrical steel sheets; galvanized steel sheets and coils; bars and plates of copper; bars and plates of zinc; copper sheets; steel bands; advertisement columns of metal; alloy rolls; alloy steel for construction and steel brackets; alloys of nonferrous metals; alloys, heat-resistant, acid-resistant and corrosion-resistant; aluminium pipes; aluminum and its alloys; anchor plates; angle irons; angle valves (of metal, not machine elements); anti-friction metal; anti-friction metal for iron alloys; armour plate; artificial fish reefs of metal; automatic control valves (of metal, not machine elements); ball valves (of metal, not machine elements); bands of metal for tying-up purposes; bars; bars for metal railings; billets; bindings of metal; bins of metal; blooms (metallurgy); bolts of metal; bottles (metal containers) for compressed gas or liquid air; branching pipes of metal; brass and its alloys; brass sheet, strip, bar; bronzes (works of art); building materials of metal; building materials, pipes and tubes of metal (none being boiler tubes or parts of machines), all included in this class; building panels of metal; buildings, transportable, of metal; butterfly valves (of metal, not machine elements); cable joints of metal, non-electric; cables and wires (non-electric); cans of metal; casings of

metal for oilwells; cast iron vessels for packaging; casters of metal; castings; castings, foils, powder, and rolled, drawn or extruded semi-finished articles of titanium or its alloys; ceilings of metal; chains of metal (except driving chains for vehicles); chimneys of metal; chromium; clad steel plates and sheets; cladding of metal for construction and building; clips of metal for cables and pipes; closures of metal for containers; collars of metal for fastening pipes; collecting pipes of metal; columns of metal; iron works of art being sculptures; common metals and their alloys; common metals, unwrought or semi-wrought, not included in other classes; containers of metal for compressed gas or liquid air; containers of metal for liquid fuel; containers of metal for storing acids; containers of metal for transport; copper and its alloys; copper sheet, strip, bar; couplings of metal; drain pipes of metal; duckboards of metal; ductile cast iron rolls; ducts and pipes of metal for central heating installations; elbows of metal for pipes; extruded steels; fish plates (rails); fittings of metal for furniture; fittings of metal for windows; fittings of metal for pipework; flanges of metal; flashing of metal, for building; floor tiles of metal; steel forgings; foundry molds made of steel; frame work of metal for prefabrication; frames of metal for building; free cutting steel plates and sheets; full metallic buildings; gas cylinders; girders of metal; gratings of metal; grilles of metal; guard rails for city street; guard rails of metal; gutter pipes of metal; gutters of metal; handcuffs; hardware of metal; hollow steel bars; hoop iron; hoop steel; industrial packaging containers of metal; ingots of metals, not of precious metals; iron; iron sheets; iron slabs; iron strip; iron and steel; junctions of metal for pipes; keys; loading and unloading pallets of metal; locks; locks of metal, other than electric; locksmith's works; lubricating nipples; machine belt fasteners of metal; magnesium; materials of metal for railway tracks; metal cylinders for compressed gas, semi-wrought; metal flanges; metal foundation plate for

buildings; metal frames for packing, for purposes of transport and storage of pipes; metal joinery fittings; metal junctions for pipes; metal latches of gates; metal lids and caps (for industrial packaging containers); metal materials for building construction or for structure; metal materials for skeletons or frames for building or construction; metal moulds for forming cement products not being parts of machines; metal pipes and tubes; metal pulleys; metal pulleys, springs and valves (not including machine elements); metal sheets for building use; metal stoppers (for industrial packaging containers); metal wires; metal wires rods, non-electric; metallic alloy pipes; metallic barrels; metallic bins; metallic caps for containers; metallic capsules for compressed gas; metallic non-luminous nor mechanical road signals; metallic pipes; swimming pools (metal structures); metals and their alloys; ores of metal; miscellaneous hardware of metal; miscellaneous pilings of metal; miscellaneous steel pipes; molybdenum; nails and screws of metal; non-electric cables and wires of common metal; nonferrous metals and their alloys; nozzles of metal; nuts (of metal); nuts and screws made of metal; oil well pipe of steel; ores; ores of common metal; ores of metal, except sodium, potassium and calcium, not included in fuel; packaging containers of metal; partitions of metal for office use; partitions of metals; pegs of metal; penstock pipes of metal; petroleum and casing pipes of metal; pilings of metal; pipe fittings of metal; pipe joints of metal; pipelines of metal; pipes of metal (not being parts of machines and/or of boilers); pipes and tubes of metal; pipes and tubes of metal and their alloys, not being parts of machines or parts of cooling, warming and distilling installations; pipes of metal; pipes of metal, for central heating installations; pipework of metal; pipework of metal, not included in metal materials for building or construction; plugs of metal; posts of metal for electric lines; prebuilt metallic houses and other buildings; prebuilt metallic sections and panels therefor; props of metal for bridges;

rails and other metallic materials for railway tracks; rare-earth alloys for magnets; refractory construction materials of metal; reinforcing materials of metal for pipes; reinforcing materials, of metal, for concrete; reservoirs of metal; road signs of metal (not luminous nor mechanical); rolled and cast building materials; rolled steels; roof coverings of metal; roof flashing of metal; roofing of metal; ropes of metal; safety boxes; safety cashboxes; screws of metal; sealing caps of metal; semi-finished steel; semi-products of steel; sheet bars of metal; sheet irons; shuttering of metal for concrete; signboards of metal; metal slabs; springs (metal hardware); springs and valves (not being parts of machines); springs for furniture (metal hardware); stainless-steel coils; steel; steel (rolled) for rolling operations; steel angles; steel balls, not included in other classes; steel blooms; steel buildings; steel framework for pre-fabrication; steel joists for use in building; steel materials for building; steel or metallic water and gas pipe; loading and unloading steel pallets; steel panels for flooring; steel tubes; steel plates; steel poles; steel rails; steel tapered poles; steel tire; steels for automobiles; steels for bearings; steels for boilers; steels for machine structural use; steels for pressure vessels; steels for ship structural use; steels, heat-resistant, acid-resistant and corrosion-resistant; stopper-shaped or lid-shaped metallic shield for protecting screw parts of pipes; strips of metal; tanks of metal; thread of metal for tying-up purposes; titanium alloys; titanium bars; transportable buildings of metal; tree protectors of metal; tube and pipe of steel; unwrought and partially wrought common metals and alloys; valves of metal, other than parts of machines; wall cladding of metal for building; wall linings of metal for building; wall plugs of metal; water-pipes of metal; wrapping or binding bands of metal; zinc and its alloys; zinc-coated steel sheets; brass sheets. Class 7.

Air suction machines; bending machines; compressed air machines; compressed air pumps; compressors

(machines); condensing installations for chemical processing; control mechanisms for metalworking machines, construction machines and loading-unloading machines; converters for steel works; crushing machines for metalworking, construction loading-unloading and chemical processing; cutting machines for metalworking and construction; drainage machines for construction; apparatus for dressing for metalworking; finishing machines for metalworking; gasifiers; AC generators of electricity; DC generators of electricity; grinding machines; guides for metalworking machines; hand-held tools, other than hand-operated; heat exchangers for chemical processing machines; hemming machines; holding devices for metalworking machine tools; apparatus for metalworking machining; metal drawing machines; metalworking machines; moulding machines for metalworking; moulds (parts of machines); paring machines for metalworking; pneumatic transporters; electric machines and apparatus for polishing metal surface; presses for metalworking; presses (machines for chemical processing purposes); rams (machines); rolling mill cylinders; rolling mills; sewage pulverizers; slide rests (parts of machines); trimming machines for metalworking; vibrators (machines) for industrial use; waste compacting machines; industrial waste disposers (machines); welding apparatus, gas-operated; welding machines, electric; robots for metal working; continuous casting machines; apparatus for giving a pickling treatment on the surface of metal; apparatus for tin-plating on the surface of metal; annealing machines for metalworking; piston rings; AC generators (alternators); AC motors and DC motors (not including those for land vehicles but including parts for any AC motors and DC motors); actuators for air vehicles; aeronautical engines; aeronautical motors; anti-pollution devices for motors and engines; asphalt finishers; automobile crank shafts and camshafts; axles for machines; back-hoe dragline and hydroexcavators; bearings (machine

elements not for land vehicles); bearings for transmission shafts; speed reducers or variators; belts for conveyors; belts for machines; belts for motors and engines; blow moulding machines; boiler tubes (parts of machines); brakes (machine elements not for land vehicles); bucket wheel reclaimers; butane carburettors; carburettor feeders; carburettors; casting machines, for non-ferrous metals; centrifuges (machines); centrifuges being centrifugal separators; chain feeders for ball mills; chemical processing machines and apparatus; clamshell; classifier; classifier for classifying solids suspended in liquids, being a machines; coal and ore dressing plants; cold strip mills for non-ferrous metals; construction machines and apparatus; control apparatus for machines, engines and motors; converters for steel works; conveyors and auxiliary equipment; couplings other than for land vehicles; cranes and their parts and accessories; crank shafts; cranks (parts of machines); crawler-shovel-cranes; crusher; crusher for mines; cutters for metalworking, construction and plastic processing machines; gears, other than for land vehicles; DC generators; die-cutting and tapping machines; diggers (machines); drag line; drilling rigs, floating or non-floating; drilling towers; electric circuit board processing machines; electrical wire and cable manufacturing machines; electronic motors; excavating machines and parts thereof; exhaust manifold for engines; exhausts for motors and engines; extruders; fans and blowing machinery; feeding apparatus for engine boilers; film laminators; filters for chemical processing machines or non-electric prime movers; couplings other than for land vehicles; industrial machine presses and shearing machines for metal fabrication; forging presses; gear and pinion coupler and draft gear not included in other classes; gear box; heat exchangers for plants (parts of machines); high pressure washers; hydraulic controller for motors and engines; hydraulic door openers and closers (parts of machines); hydraulic presses for metalworking or chemical

processing machines; hydraulic pumps; hydraulic pumps for industrial machines; hydraulic valves; impeller shaft for compressors; infinitely variable gear and other parts and accessories for power engines; blow molding machines; injection blow moulding machines; bucket-ladder excavators; levellers (earth moving machines); link-belt truck cranes; liquid crystal panel etching equipment; LNG carburettors; loading-unloading machines and apparatus; LPG carburettors; machine coupling and transmission components (except for land vehicles); machine couplings and belting (except for vehicles); machine elements (not for land vehicles); mechanical presses; MEMS (micro electro mechanical systems) coating equipment; MEMS (micro electro mechanical systems) etching equipment; metalworking machine tools; milling machines; mixers for construction or chemical processing machines; motor-driven machines for the chemical industry; motors and engines (except for land vehicles); motors, electric, other than for land vehicles; mufflers for motors and engines; natural gas condensers (parts of machines); nautical engines; non-electric prime movers, not for land vehicles (other than water mills and wind mills); nozzles and blades of turbines; oil coolers for aeronautical engines; oil refining machines; other metal-processing machines; parts for non-electric prime movers for land vehicles; parts for power engine; metal pipe mills; pistons; pump diaphragms; pumps (parts of machines, engines or motors); radiators (cooling) for motors and engines; reduction gears other than for land vehicles; roll and roll housing (parts of machines); rolling mills and their parts and fittings; rolls for rolling mills; section rolling mills; semiconductor manufacturing machines and systems; separators for chemical processing machines; shaft couplings or connectors (machine elements not for land vehicles); shaft units; shafts, axles or spindles (not for land vehicles); power shears; ships' gears and pinions; shock absorbers (machine elements not for land vehicles); shovel parts for

machines; silencers for motors and engines; sintering machines for chemical processing; springs (parts of machines); stackers; stacker-reclaimers; starters for aeronautical engines; starters for motors and engines; steam condensers (parts of machines); steam engine boilers; steel making converters; steel mill cranes; steel sheet processing lines; superchargers; threading machines; machine tools for metal fabrication and parts thereof; transmission gears for machines; transmission shafts, other than for land vehicles; transmissions for machines; transmissions, other than for land vehicles; unloaders, loaders, and their related equipment; valves (machine elements not for land vehicles); washing apparatus; waste compacting machines and apparatus; waste crushing machines; wheeled cranes; wire rod mills.

Class 12.

AC motors or DC motors for land vehicles (not including "their parts"); aeronautical apparatus; aeroplanes; air bags (safety devices for automobiles); aircraft and their parts and fittings; air-cushion vehicles; rolling stocks; aircrafts, automobiles, rolling stocks for railways and ships and their apparatus, appliances and accessories; automobile crankshafts; automobiles and their parts and fittings; axle boxes for locomotives; axle journals; axles; axles (rolling stock parts and accessories); axles for land vehicle wheels; axles for vehicles; bodies (of railway cars); bogie trucks (rolling stock parts and accessories); bogies; bogies for railway cars; brake linings for vehicles; brake segments for vehicles; brake shoes for vehicles; brakes (for land vehicles); brakes for vehicles; buffers for railway rolling stock; cable cars; camshafts for use as parts of vessels, aircrafts, railway rolling stocks, automobiles and two-wheeled motor vehicles; car truck coupler; car trucks; railway carriages and parts and accessories thereof; chassis (of railway cars); command gear units (rolling stock parts and accessories); connecting rods for land vehicles, other than parts of motors and engines; coupler and draft gears for use as parts of vessels, aircrafts, railway

rolling stocks, automobiles and two-wheeled motor vehicles; coupler for automobiles; coupling chains for rolling stock; couplings for automobiles and wagons of railroad vehicles; crankshafts for use as parts of vessels, aircrafts, railway rolling stocks, automobiles and two-wheeled motor vehicles; current collecting equipment (for railway cars); draft gears all included in this class being parts and fittings of rolling stock; driveshaft for use as parts of vessels, aircrafts, railway rolling stocks, automobiles, two-wheeled motor vehicles and bicycles; driving gear units; driving gears; engagement apparatus (rolling stock parts and accessories); flanges for railway wheel tires (tyres); fork lift trucks; gear and pinion coupler and draft gear for use as parts of vessels, aircrafts, railway rolling stocks, automobiles, two-wheeled motor vehicles and bicycles; gear boxes for land vehicles; gear units for use as parts of vessels, aircrafts, railway rolling stocks, automobiles, two-wheeled motor vehicles and bicycles; gearing for land vehicles; gears and pinion for land vehicles; hand cars; handstraps (of railway cars); heat exchangers for land vehicles; hydraulic circuits for vehicles; inner tubes for tires of aircrafts and automobiles; leaf-springs for use as parts of vessels, aircrafts, railway rolling stocks, automobiles, two-wheeled motor vehicles and bicycles; transmission components for land vehicles; metal wheels for rolling stock and steel tyres for use therewith; motor coaches; non-electric prime movers for land vehicles (not including "their parts"); parts and accessories for railway freight and passenger cars, namely, railway trucks, wheels, axles, and wheel-axle units; parts and fittings for automobiles; propeller shafts for use as parts of vessels, aircrafts, railway rolling stocks, automobiles and two-wheeled motor vehicles; railway couplings; railway freight cars; railway rolling stock and their parts and fittings; reduction gears for land vehicles; road vehicles and parts thereof; rolling stock and parts and fittings therefor; rolling stock for railways; rotative power transmission

belts connecting engines and radiator cooling fans (for land vehicles); rotor discs for vehicle braking systems; seat covers for vessels, airplanes, railway cars and automobiles; shafts, axles or spindles, bearings, shaft couplings or connectors, power transmissions and gearings (for land vehicles); ships; ships' steering gears; ships' hulls and parts thereof included in this class; shock absorbers and shock absorbing springs (for land vehicles); shock absorbers for railway cars and motorcars; shock absorbing springs for vehicles; solid rolled wheels (rolling stock parts and accessories); spindle ensembles with rotors for land vehicles; suspension springs for automobiles; springs for rolling stocks; springs for vehicles; stabilizer bars for land vehicle suspensions; steel rims for rolling stock wheels; steel tires (rolling stock parts and accessories); stern frames and shafts; suspension shock absorbers for vehicles; suspension springs; suspension systems and accessories there fore; tires of automobiles; traction or hitching apparatus (rolling stock parts and accessories); tractors; train and parts and fittings therefore; transmission shafts for land vehicles; trucks; undercarriages for railway cars; undercarriages for vehicles; valve shafts for aircraft and automobile tires; couplers for use as parts of vessels, aircrafts, railway rolling stocks, automobiles and two-wheeled motor vehicles; vehicle suspension springs; wheels of airplanes, railway cars and automobiles; vehicles, namely, vessels, aircraft, railway cars and automobiles, ships and other carrying machines and appliance, namely, vessels, aircraft, railway cars and automobiles, and parts thereof; vehicles, namely, vessels, aircraft, railway cars and automobiles, structural and component parts thereof; vessels and their parts and fittings; water bikes (personal watercrafts); wheels of airplanes, railway cars and automobile; wheel centers (rolling stock parts and their accessories); wheel rims of airplanes and automobiles; wheel-axle units; wheels (of railway cars).

Date of Recordal of Cancellation:
06/03/2019

- 1015697** FLACO
 Goods/Services remaining:
 Class 7.
 Fuelling, lubricating and oiling apparatus and installations, including automatic oil and fluid dispensers, oil and fluid pumps; hose reels, absorber and aspirator devices, hand lever presses, filling pumps, tank containers for liquids, motor vehicle draining apparatus, namely apparatus for the removal of oil, water, fuel and other liquids from old vehicles, washing machines for milking machines.
 Class 8.
 Hand-operated lubricating apparatus, lubricating guns.
 Class 9.
 Monitoring apparatus for fuelling, lubricating and oiling; automatic oil dispensers, oil and liquid dispensers, oil and liquid distributor, electronic oil and liquid management systems, namely apparatus for the logging and processing of liquid quantities, including data processing equipment and computer software; electronic milk management systems, namely apparatus for the logging and processing of milk quantities, including data processing equipment and computer software.
 Class 11.
 Oil-scrubbing apparatus.
 Date of Recordal of Cancellation:
 28/02/2019
- 1296329** HOOLIGAN GENTLEMAN'S FIGHT CLUB
 Goods/Services remaining:
 Class 3.
 Bleaching preparations and other substances for laundry use; cleaning, polishing, degreasing and abrasive preparations; soaps; perfumery, essential oils, cosmetics, hair lotions; dentifrices; shampoos; ethereal essences; shaving products; cosmetic kits; balms other than for medical use; toiletries; petroleum jelly for cosmetic use; dental bleaching gels; deodorants [perfumery]; depilatories; decorative transfers for cosmetic use; cosmetic preparations for baths; bath preparations, not for medical use; tissues impregnated with cosmetic lotions; cotton sticks for cosmetic use; nail polish (varnish); nail care products; lacquer-removing products; make-up removing products; sunscreen preparations; polish for footwear.
 Class 8.
 Hand-operated hand tools and implements; cutlery, forks and spoons; side arms, other than firearms; razors.
 Class 14.
 Precious metals and their alloys and goods made of these materials or coated therewith not included in other classes; jewelry; jewelry articles; amulets, trinkets [jewelry]; precious stones; semi-precious stones; paste jewelry; timepieces and chronometric instruments; watch straps; watch chains; boxes for time-recording apparatus; watch bands of leather; boxes of precious metal; figurines [statuettes] of precious metal; works of art of precious metal; coins; medals; badges of precious metal; footwear ornaments [of precious metals]; hat ornaments of precious metal; jewelry cases [caskets or boxes].
 Class 16.
 Paper, cardboard and goods made from these materials, not included in other classes; printing products (printed matter); bookbinding material; photographs; stationery; adhesives (glues) for stationery or household purposes; artists' materials; paintbrushes; typewriters and office requisites (except furniture); instructional or teaching material (except apparatus); plastic materials for packaging (not included in other classes); printing type; printing blocks; folders for papers; calendars; booklets; posters; books; school supplies; office stationery; envelopes [stationery]; greeting cards; postcards; postage stamps; photograph stands; works of art of paper, cardboard, papier mâché; framed or unframed paintings [pictures]; engravings (works of art); etchings; prints [engravings]; bookmarkers; bookends; wrapping paper; bags [envelopes, pouches] of paper or plastics, for merchandise packaging; paper gift bags for wine bottles; gift bags of paper or plastic; flags and pennants of paper; labels, not of textile; mats for jugs, plates or cups

of paper or cardboard; mats for beer glasses; stickers [stationery]; writing cases [stationery]; writing materials; drawing materials; geographical maps; small bags [envelopes, pouches] of paper or plastics for packaging; etchings.

Class 20.

Furniture, mirrors, picture frames; goods, not included in other classes, of wood, cork, reed, cane, wicker, horn, bone, ivory, whalebone, shell, amber, mother-of-pearl, meerschaum, rattan and substitutes for all these materials, or of plastics; products of birch bark, of bamboo, of animal claws and of animal hooves; plaited straw except matting; wickerwork; art objects of wood, wax, plaster or plastic; coral; air mattresses; mattresses; pillows; inflatable pillows; sleeping bags; bottle closures not of metal; flagpoles; keyboards for hanging keys; keyrings not of metal; display boards; signboards of plastic or wood; busts of wood, wax, plaster or plastic; mannequins; containers, boxes, not of metal; packaging containers, not of metal; baskets, barrels, trunks not of metal.

Class 21.

Utensils and containers for household or kitchen use and dishwashing; combs and sponges; brushes (except paintbrushes); brush-making materials; articles for cleaning purposes; steel wool; unworked or semi-worked glass (except building glass); glassware, porcelain and earthenware not included in other classes; vases; candelabra [candlesticks]; mosaics of glass, not for building; fitted picnic baskets, including dishes; vanity cases; make-up removing apparatus; cosmetic utensils; toilet utensils; sponge holders; toothpick holders; soap holders; napkin holders; dental floss; toothbrushes; cooking skewers, of metal; non-electric cooking utensils; clothes pegs; portable baby baths; plungers for clearing blocked drains; flasks; aerosol dispensers not for medical use; soap dispensers; toilet paper dispensers; ironing boards; shoe trees; boot jacks; holders for plants [flower arrangements]; indoor aquariums; birdcages; flower-pot covers not of paper; cages for pets; mangers for

animals; toilet paper holders; shaving brush stands.

Class 24.

Fabrics and textile goods not included in other classes; bed blankets; bed throws; table covers; banners; fabric flags; pennants, labels of fabric; door curtains; household linen; loose covers for furniture; covers for cushions.

Class 25.

Clothing, footwear, headgear; underwear; replica soccer shirts, shorts and socks; boxing shoes; clothing for sports; boxer briefs; sports singlets; moisture-wicking sports shirts; moisture-wicking sports pants; uniforms for combat sports; pull-overs, panties for sports.

Class 28.

games, gymnastic and sporting articles not included in other classes, decorations for christmas trees, christmas trees of synthetic materials, bags and covers specifically adapted for sports equipment, machines for physical exercises, fishing tackle, punching balls for boxing practice, punching bags, masks for sports, especially fencing masks, body protection equipment for sports, chest protectors for sports, blocking dummies [sports articles], knee guards [sports articles], elbow guards [sports articles], shoulder pads for sports, harpoon guns [sports articles], shin guards [sports articles], camouflage screens [sports articles], protective paddings [parts of sports suits], barbells.

Class 30.

Coffee, tea, cocoa, sugar, rice, tapioca, sago, artificial coffee; flours and preparations made from cereals, bread, pastry and confectionery, edible ices; honey, treacle; yeast, baking powder; salt, mustard; vinegar, sauces (condiments); spices; ice for refreshment.

Class 32.

Beers; mineral and aerated waters and other non-alcoholic beverages; fruit beverages and fruit juices; syrups and other preparations for making beverages; isotonic beverages.

Class 33.

Alcoholic beverages, except beer.

Class 40.

Treatment of materials; embroidery;

tailoring services; printing services; photographic printing; processing of cinematographic films; photographic film development; photo-engraving; lithographic printing; pattern printing; offset printing; bookbinding; dressmaking; manufacturing of footwear and clothing to order for others; rental of generators, rental of space heating apparatus, rental of temperature control apparatus; food and beverage preservation; custom assembly of materials for others; information relating to the treatment of materials.

Class 41.

Education; training; entertainment; sporting and cultural activities; reservation and booking services for all tickets for shows, cultural and sporting events; physical education services; sports training services including boxing and wrestling; organization of competitions and award ceremonies; fitness training services; rental of stadium facilities; rental of sports grounds; sports teaching; organization of sports competitions; sports club services [health and fitness training]; night club services; club services [entertainment or education]; organization of games and competitions; organization of boxing and wrestling competitions or tournaments; organization and presentation of shows, competitions, games, concerts and entertainment events; sports coaching services; educational sports activities; educational and training services relating to sports; preparing live motion picture events, music events as well as cultural and sporting events; educational, entertainment, sporting and cultural information; sporting activities; reservation services for sporting, scientific and cultural events; game services provided on-line from a computer network; organization of entertainment including organization of shows and concerts; organization of competitions [education or entertainment]; photography services; motion picture studio services; television and radio entertainment; motion picture and video production; videotaping; audio and video recording

services; amusement arcade services; cinematographic film projection; rental of lighting apparatus for theatrical sets or television studios; film, music, video and theater entertainment services; production of shows; rental of television programs; radio and television program production; provision of on-line tutorials; production of television programs; rental of show scenery; production and distribution of television programs; dance teaching; vocational skills training; provision of non-downloadable online electronic publications; publication of books and periodicals except for advertising; publication of printed matter other than advertising texts; electronic publication of books and periodicals on-line; publication of texts other than advertising texts; organization of exhibitions for educational or entertainment purposes; organization and conducting of congresses; organization and conducting of seminars; rental of sound recordings and video recordings; rental of audio equipment and video cameras; operating of lotteries; recreation information; entertainment information; information relating to education; information relating to sport; information relating to culture.

Class 42.

Scientific and technological services as well as research and design relating thereto; industrial analysis and research services; design and development of computers and software; architectural services; non-commercial advice and information on the aforesaid themes; industrial design; graphic arts design services; design of interior decor.

Class 44.

Medical services; veterinary services; hygienic and beauty care for human beings or animals; agriculture, horticulture and forestry services; bathing services; sauna services; hairdressing salon services; visagist's services; solarium services; tattooing; services provided by recovery centers; sanatorium services; landscape design; flower arranging; aquaculture services; medical equipment rental; rental of sanitation facilities; pharmacy advice;

provision of massage parlors; provision of beauty salons.
Date of Recordal of Cancellation:
08/03/2019

1187714 Dyer
Goods/Services remaining:
Class 42.
architecture, industrial design, graphic arts design, technical project studies, material testing, quality control, land surveying, dress designing, design of interior decor, urban planning, surveying.
Date of Recordal of Cancellation:
22/03/2019

Changes/Corrections in the International Register

0691806 Advertised as accepted in Journal No. 2384 dated 01/05/2019.
Class 7.
Machines and parts thereof, especially heating presses for splicing purposes; conveyor belts as parts of machines for manufacturing and processing; processing belts as parts of machines for manufacturing and processing; power transmission belts as parts of machines for manufacturing and processing; timing and flat belts of synthetic materials as parts of machines for manufacturing and processing; all of the aforesaid goods for use in manufacturing processes in industrial and food production, baggage, parcel and letter handling and sorting systems; conveyor belts and belt conveyors for the transport of raw materials in manufacturing processes, food products, baggage pieces, letters, and parcels; belts, mechanical bands and transmission ribbons for engines, industrial machinery, food manufacturing machinery, baggage, parcel and letter handling and sorting systems, exercise equipment parts, and machines for processing and transforming plastic materials.

The remaining classes remain unchanged.

1413627 Advertised as accepted in Journal No. 2384 dated 01/05/2019.

Class 42
Software as a service (SAAS) services featuring software for financial data integration, financial reporting, data analytics, performance analysis and fraud detection; design and development of computer software for financial data integration, financial reporting, data analytics, performance analysis and fraud detection; computer software consulting, configuring and customization of software for financial data integration, financial reporting, data analytics, performance analysis and fraud detection; platform as a service (PAAS) featuring computer software platforms for use in the field of financial services for creating, sharing and analyzing financial data.