



# PATENTS OFFICE JOURNAL

IRISLEABHAR OIFIG NA bPAITINNÍ

Iml. 94

Cill Chainnigh 29 May 2019

Uimh. 2386

## CLÁR INNSTE

<b>Cuid I</b>		<b>Cuid II</b>	
<b>Paitinní</b>	<b>Leath</b>	<b>Trádmharcanna</b>	<b>Leath</b>
Official Notice	3505	Official Notice	2287
Applications for Patents	3507	Applications for Trade Marks	2288
Applications Published	3508	Oppositions under Section 43	2317
Patents Granted	3508	Revocation of Trade mark	2317
European Patents Granted	3509	Application(s) Withdrawn	2317
Applications Withdrawn, Deemed Withdrawn or Refused	3722	Trade Marks Registered	2317
Patents Lapsed	3723	Trade Marks Renewed	2318
Patents Expired	3955	Unpaid Renewal Fees	2320
Request for Grant of Supplementary Protection Certificate	3961	Trade Marks Removed	2326
		Merger of Separate Trade Mark Registrations	2331
		Trade Mark(s) Restored	2331
		International Registrations under the Madrid Protocol	2332
		International Trade Marks Protected	2368
		Errata	2369
<b>Dearachtaí</b>			
Designs Information under the 2001 Act			
Designs Registered	3963		
Designs Renewed	3974		
Design Rights Expired	3974		

*The Patents Office Journal is published fortnightly by the Irish Patents Office.  
Each issue is freely available to view or download from our website at  
[www.patentsoffice.ie](http://www.patentsoffice.ie)*

© *Government of Ireland, 2019*

© *Rialtas na hÉireann, 2019*

---

# Patents Office Journal

Irisleabhar Oifig Na bPaitinní

## Cuid I

### Paitinní agus Dearachtaí

---

**No. 2386**

**Wednesday, 29 May, 2019**

---

**NOTE:** *The office does not guarantee the accuracy of its publications nor undertake any responsibility for errors or omissions or their consequences.*

In this Part of the Journal, a reference to a section is to a section of the Patents Act, 1992 unless otherwise stated.

### Official Notice

#### Patent Rules 1992 – Rule 77 – Office Closure

This Office will be closed to the public on Monday 03<sup>rd</sup> June 2019.

#### Entry in the Register of Patent Agents

Name	Qualification	Address
Mr. Paul O'Hagan	Qualified under Rule 8 (1) of the Register of Patent Agents Rules, 1992 (as amended)	c/o Lincoln IP 9 Victoria Street Aberdeen Scotland

---

**Register of Patent Agent Rules, 1992****October 2019 Examination Arrangements**

Subject to there being a demand therefor by a sufficient number of eligible candidates, the Patent Agents Board proposes to arrange with the UK Patent Examination Board (PEB) for the holding of some or all of the following written examinations in October, 2019 for the purpose of Rules 7 and 8 of the above mentioned rules.

The PEB has been authorised by the UK Intellectual Property Regulation Board (IPReg) to conduct the Final Diploma examinations from 2014.

Therefore, the 2019 examinations will be organised by the PEB and will be in the same format and for the same subjects as previously set by the JEB. The examinations will consist of the following Final Diploma examinations of the PEB.

<b>Tuesday</b>	<b>15 October, 2019</b>	<b>Paper FD4 (P6)</b>
	10.00a.m. – 3.00 p.m.	Infringement and Validity
<b>Wednesday</b>	<b>16 October, 2019</b>	<b>Paper FD3 (P4)</b>
	10.00a.m. – 1.00p.m.	Amendment of Specifications
<b>Thursday</b>	<b>17 October, 2019</b>	<b>Paper FD2 (P3)</b>
	10.00a.m. – 2.00p.m.	Drafting of Patent Specifications

The full timetable can be found here: <http://www.cipa.org.uk/patent-examination-board/support/examination-information/>

Candidates wishing to be examined in these papers should register with the PEB using the form which can be found here: <http://www.cipa.org.uk/patent-examination-board/registration/>.

You will then receive an invoice to pay the appropriate fee **directly to the PEB. Candidates should not pay any fee to the Irish Patents Office.** The current fees can be found here: <http://www.cipa.org.uk/patent-examination-board/support/examination-information/>

Irish candidates are advised that in order to proceed with the PEB registration form they should answer “yes” to Questions 2 and 4. This will then allow the candidate to access entry to the finals examinations listed in question 6.

The PEB have indicated that they will be able to identify an Irish candidate by virtue of that candidate selecting the ‘Ireland’ venue and that Irish candidates are therefore not subject to the same progression rules as UK candidates.

## Applications for Patents From 27/03/2019 to 08/05/2019

The names of applicants are in alphabetical order. In the case of joint applicants, each name is given independently. The title of the invention should not be regarded as an exhaustive indication of the subject-matter. The date immediately following the title is that on which the application was filed; in the case of a divisional application, the filing date of the earlier application is added within parentheses. In the case of a Convention application the Convention country and priority date(s) claimed are given in square brackets and where an application claimed the priority of an earlier application filed at the office, this information is given within the square brackets. The number is that of the application and should be used for correspondence purposes up to the date of grant of a patent. The letter S preceding the number indicates that the application is for a short-term patent. A new number will be given when a patent is granted and this new number should be quoted in all correspondence subsequent to grant.

COSTELLO CAROLE Glazing unit 30 April 2019	<b>20190068</b>
CRYAN COLM VINCENT Apparatus for process loss solution-space mapping. 08 May 2019	<b>S20190072</b>
HERBERT MICHAEL; SHEEDY NUALA; SHEEDY THOMAS; O'CONNELL ANNE A mounting system for mounting a scraper in a tank, and a tank comprising the mounting system 25 April 2019	<b>S20190067</b>
INSTITUTE OF TECHNOLOGY SLIGO Bale handler 02 May 2019	<b>S20190071</b>
KEYSTONE LINTELS LIMITED A cavity wall panel assembly 27 March 2019 [United Kingdom-27 March 2018]	<b>20190069</b>
O'CONNELL ANNE; HERBERT MICHAEL; SHEEDY NUALA; SHEEDY THOMAS A mounting system for mounting a scraper in a tank, and a tank comprising the mounting system 25 April 2019	<b>S20190067</b>
O'REGAN KENNY JACK Touch sensitive reflective display apparatus 01 May 2019	<b>S20190070</b>
SHEEDY THOMAS; SHEEDY NUALA; HERBERT MICHAEL; O'CONNELL ANNE A mounting system for mounting a scraper in a tank, and a tank comprising the mounting system 25 April 2019	<b>S20190067</b>
SHEEDY NUALA; SHEEDY THOMAS; HERBERT MICHAEL; O'CONNELL ANNE A mounting system for mounting a scraper in a tank, and a tank comprising the mounting system 25 April 2019	<b>S20190067</b>

## Applications Published Under Section 28

The following applications become open to public inspection as from the date of this issue of the journal. The date given is the date of filing of the application or the earliest priority claimed.

- |             |                 |   |
|-------------|-----------------|---|
| <b>2017</b> | <b>20170246</b> | DAVID GIALLOMBARDO, An apparatus to blow away rain drops from vehicle windows and wing mirrors. 21 November 2017. Int. Cl. (2019.01) <b>B60S 1/00; B60H 1/00.</b>               |
| <b>2018</b> | <b>20180299</b> | O'NEILLS IRISH INTERNATIONAL SPORTS COMPANY LIMITED. Sports shirt framing device and process for manufacture. 11 September 2018 Int. Cl. (2019.01) <b>A47G 1/00; A41D 1/00.</b> |
|             | <b>20180312</b> | PHILIP FOX HARRIS, Urine bottle distribution and removal system. 30 August 2017. Int. Cl. (2019.01) <b>A61G 12/00; A61G 9/00; A61J 1/00; B65D 85/30.</b>                        |
|             | <b>20180378</b> | COOPERVISION INTERNATIONAL HOLDING COMPANY, LP, Contact lenses having an ion-impermeable portion and related methods. 25 October 2017. Int. Cl. (2019.01) <b>G02C 7/00.</b>     |
|             | <b>20180458</b> | PAVEMAC LIMITED, Vehicle for spreading aggregate chippings. 21 November 2017. Int. Cl. (2019.01) <b>E01C 19/00; B60P 1/00.</b>  |

## Patents Granted Under Section 34

The number of a patent is given in heavy type; the letter S preceding the number indicates a short-term patent. The code numbers following the title of each invention are those of the International Patent Classification. The date of filing the application follows the proprietor's name. The patent application number, which follows the date of application in parenthesis, has been superseded by the patent number. In the case of an application claiming the priority of an earlier application, the name of the country where the earlier application was made and the date of the earlier application are shown in square brackets.

By virtue of Section 65(3), the application relating to any short-term patent appearing in the following list whose date of filing is later than the date which is 18 months prior to the date of this issue of the Journal becomes open to public inspection as and from the date of this issue of the Journal.

- |               |  |
|---------------|--|
| <b>S87015</b> | Sports shirt framing device and process for manufacture. Int. Cl. (2019.01) <b>A47G 1/00; A41D 1/00.</b> O'NEILLS IRISH INTERNATIONAL SPORTS COMPANY LIMITED 11 September 2018 (S20180299) |
| <b>87016</b>  | Adjustable food-portioning device. Int. Cl. (2019.01) <b>A47G 19/00; B65D 25/00; G09B 19/00.</b> DANIEL MCCARTNEY 11 May 2017 (20170103)   |
| <b>S87017</b> | Lifting beam for the lifting of goods with a crane. Int. Cl. (2019.01) <b>B66C 1/00.</b> OCEAN TEAM GROUP A/S 25 September 2018 (S20180317) [Denmark-27 September 2017]                    |

## Patents Granted Under European Patent Convention Designating Ireland

The Irish serial number appears first followed, respectively, by the proprietor's name, the date of filing of the application, the filing number and the European Patent Office publication number.

If the specification of the European patent was published in French or German the word 'French' or 'German', as appropriate, will appear as the last item of information.

### Grants Published in EPO Bulletin No. 18/19, dated 01<sup>st</sup> May 2019

1306116	Smith & Loveless, Inc.	22/10/2002	1306116	02023529.7	
1317918	L'Oréal	14/11/2002	1317918	02292840.2	French
1328826	Smith, Arthur Ernest	26/09/2001	1328826	01969974.3	
1380947	Microsoft Technology Licensing, LLC	30/06/2003	1380947	03014873.8	
1415449	Cambridge Broadband Networks Limited	18/07/2002	1415449	02745654.0	
1441788	Pulse NeedleFree Systems, Inc.	11/10/2002	1441788	02769069.2	
1503164	Mahle Behr France Rouffach S.A.S.	28/07/2003	1503164	03291862.5	German
1506021	Holm, Per Sonne	27/05/2003	1506021	03755145.4	German
1515456	Godo Kaisha IP Bridge 1	13/06/2003	1515456	03733416.6	
1523119	Volkswagen Aktiengesellschaft	28/09/2004	1523119	04077680.9	German
1527326	Aarhus Universitet	15/05/2003	1527326	03722923.4	
1533322	TOHO TITANIUM CO., LTD.	26/08/2003	1533322	03791282.1	
1546881	Sony Mobile Communications Inc.	29/09/2003	1546881	03748393.0	
1555789	Rovi Technologies Corporation	04/01/2005	1555789	05000081.9	
1568178	Cisco Technology, Inc.	02/12/2003	1568178	03790274.9	
1577678	SAAB AB	09/03/2004	1577678	04075768.4	
1604484	EntIT Software LLC	12/03/2004	1604484	04775839.6	
1622045	Microsoft Technology Licensing, LLC	25/05/2005	1622045	05104477.4	
1652361	Intel Corporation	06/08/2004	1652361	04780329.1	
1664158	ARLANXEO Deutschland GmbH	23/09/2004	1664158	04766849.6	German
1664944	CARRIER CORPORATION	31/08/2004	1664944	04782720.9	
1668709	Toyoda Gosei Co., Ltd.	01/10/2004	1668709	04773679.8	
1676431	Genband US LLC	30/09/2004	1676431	04789214.6	
1678821	Axiom Microdevices, Inc.	28/10/2004	1678821	04796637.9	
1703870	Leahy, Patrick	20/12/2004	1703870	04804168.5	
1716094	GRUPO PETROTEMEX, S.A. DE C.V.	02/02/2005	1716094	05712198.0	
1721339	Solibro Research AB	04/03/2005	1721339	05722187.1	

3510	(No. 2386)	Patents Office Journal	(29/05/2019)		
1725654	Asterias Biotherapeutics, Inc.	18/03/2005	1725654	05732662.1	
1736706	Linde AG	01/06/2006	1736706	06011412.1	German
1755035	Hitachi High-Technologies Corporation	03/08/2006	1755035	06016263.3	
1759424	Cree, Inc.	22/03/2005	1759424	05728975.3	
1765314	GW Pharma Limited	07/06/2005	1765314	05749393.4	
1766679	Nokia Corporation	15/10/2004	1766679	04769650.5	
	Epcos AG				
1767862	Electrolux Home Products Corporation N.V.	29/06/2006	1767862	06013416.0	German
1769342	MUXI TECNOLOGIA EM PAGAMENTOS S.A.	25/05/2005	1769342	05746722.7	
1773225	PneumRx, Inc.	14/06/2005	1773225	05758569.7	
1775275	Sumitomo Electric Industries, Ltd.	26/07/2005	1775275	05767185.1	
1781175	Koninklijke Philips N.V.	04/08/2005	1781175	05774147.2	
1792727	NITTO DENKO CORPORATION	06/11/2006	1792727	06023013.3	
1792740	Brother Kogyo Kabushiki Kaisha	26/09/2005	1792740	05785292.3	
1797158	Merck Patent GmbH	20/09/2005	1797158	05791770.0	German
1807005	Koninklijke Philips N.V.	25/10/2005	1807005	05812810.9	
1812822	Gentex Corporation	10/11/2005	1812822	05851505.7	
1820932	Raico Bautechnik GmbH	16/02/2007	1820932	07003329.5	German
1829015	UNITED STATES GOVERNMENT AS REPRESENTED BY THE U.S. ARMY	02/12/2005	1829015	05852857.1	
1831620	Dometic GmbH	26/10/2005	1831620	05799107.7	German
1834243	Webroot Inc.	28/09/2005	1834243	05807741.3	
1844235	Active Tools International (HK) Ltd.	22/12/2005	1844235	05822925.3	
1851630	EMC IP Holding Company LLC	21/12/2005	1851630	05855407.2	
1856714	DH Technologies Development Pte. Ltd.	05/01/2006	1856714	06717665.1	
1862122	Aga Medical Corporation	01/09/1998	1862122	07015958.7	
1864498	Industry Academic Cooperation Foundation Kyunghee University Samsung Electronics Co., Ltd.	31/03/2006	1864498	06732683.5	
1865803	NIKE Innovate C.V.	28/03/2006	1865803	06739847.9	
1877470	ELKEM SILICONES France SAS	22/02/2006	1877470	06725979.6	French
1879760	Kinetic Pty Ltd	01/03/2006	1879760	06704939.5	
1880516	British Telecommunications public limited company	12/05/2006	1880516	06727093.4	



---

1882343	QUALCOMM INCORPORATED	15/05/2006	1882343	06770411.4	
1882357	Cisco Technology, Inc.	18/05/2006	1882357	06770592.1	
1884702	HYDAC Accessories GmbH	30/07/2007	1884702	07014874.7	German
1884734	MAHLE International GmbH	19/07/2007	1884734	07075611.9	
1887958	Cook Medical Technologies LLC	08/06/2006	1887958	06772584.6	
1902894	ALSTOM Transport Technologies	14/09/2007	1902894	07291100.1	French
1903184	Siemens Energy, Inc.	30/08/2007	1903184	07115361.3	
1913795	DONALDSON COMPANY, INC.	03/08/2006	1913795	06789437.8	
1922161	Hubbell Incorporated	03/08/2006	1922161	06789369.3	
1933786	Boston Scientific Limited	28/09/2006	1933786	06815573.8	
1938386	Cambridge Enterprise Limited	09/08/2006	1938386	06779105.3	
1939362	Caterpillar Work Tools B. V.	27/12/2006	1939362	06127227.4	
1949805	Sormac B.V.	27/12/2007	1949805	07025150.9	
1951845	SK Innovation Co., Ltd.	31/10/2006	1951845	06812315.7	
1954892	KEECH CASTINGS AUSTRALIA PTY. LIMITED	01/12/2006	1954892	06817575.1	
1958075	Intel Corporation	30/11/2006	1958075	06838854.5	
1964587	Becton Dickinson France	03/03/2008	1964587	08356032.6	
1967035	Cisco Technology, Inc.	01/12/2006	1967035	06844683.0	
1971023	Harman Becker Automotive Systems GmbH	15/03/2007	1971023	07005405.1	
1971161	Vodafone Holding GmbH	31/01/2008	1971161	08101178.5	German
1971633	Dalli-Werke GmbH & Co. KG	10/01/2007	1971633	07700205.3	
1974503	Qualcomm Incorporated	11/01/2007	1974503	07710052.7	
1976185	Nokia Solutions and Networks GmbH & Co. KG	27/03/2007	1976185	07006325.0	
1987615	Cisco Technology, Inc.	25/10/2006	1987615	06839544.1	
1988170	TORAY INDUSTRIES, INC.	16/02/2007	1988170	07714383.2	
1988765	DeLaval Holding AB	02/10/2006	1988765	06799825.2	
1991688	DuPont Tate & Lyle Bio Products Company, LLC	12/02/2007	1991688	07750663.2	
1996309	Baldwin Filters, Inc.	12/02/2007	1996309	07750687.1	
1997283	Alcatel-Lucent USA Inc.	09/03/2007	1997283	07752741.4	
1998144	Etat français représenté par le Délégué Général pour l'Armement	28/05/2008	1998144	08290492.1	French
2007408	CSIR	28/02/2007	2007408	07705971.5	
2008711	Petroleum Energy Center COSMO OIL CO., LTD.	02/03/2007	2008711	07715160.3	

---

3512	(No. 2386)	<i>Patents Office Journal</i>		(29/05/2019)	
2011029	Microsoft Technology Licensing, LLC	08/03/2007	2011029	07752706.7	
2018662	Vishay-Siliconix	11/05/2007	2018662	07809066.9	
2022283	Telefonaktiebolaget LM Ericsson (publ)	30/05/2006	2022283	06748009.5	
2031945	Elster Messtechnik GmbH	18/08/2008	2031945	08014607.9	German
2041562	LIGHTSHIP MEDICAL LIMITED	28/06/2007	2041562	07733404.3	
2043583	Huntleigh Technology Limited	24/07/2007	2043583	07840496.9	
2044391	Endress + Hauser Flowtec AG	19/07/2007	2044391	07787725.6	German
2048253	Taiho Kogyo Co., Ltd	02/08/2007	2048253	07791805.0	
2052488	Wiersma, Hieronymus Watse	17/08/2007	2052488	07793841.3	
2057491	Lumileds Holding B.V.	24/08/2007	2057491	07826128.6	
2059210	Ohmea Medical Technologies, LLC	30/08/2007	2059210	07841658.3	
2068459	Alcatel Lucent	19/09/2007	2068459	07816379.7	
2071611	Nikon Corporation	31/08/2007	2071611	07806512.5	
2074337	Oracle America, Inc.	12/09/2007	2074337	07842326.6	
2074849	QUALCOMM Incorporated	26/09/2007	2074849	07843266.3	
2077023	Alcatel-Lucent USA Inc.	09/10/2007	2077023	07839392.3	
2084356	Dr. Hahn GmbH & Co. KG	29/08/2007	2084356	07801946.0	German
2084703	LG Electronics Inc.	01/10/2007	2084703	07833119.6	
2084917	T-Mobile USA, Inc.	22/10/2007	2084917	07868537.7	
2087371	Elmos Semiconductor Aktiengesellschaft	30/11/2007	2087371	07846920.2	German
2089556	JFE Steel Corporation	30/08/2007	2089556	07841597.3	
2089999	ViaSat, Inc.	26/09/2007	2089999	07872772.4	
2092269	Hexagon Technology Center GmbH	20/11/2007	2092269	07864697.3	
2092897	Ethicon LLC	13/02/2009	2092897	09250392.9	
2095353	Signify Holding B.V.	17/12/2007	2095353	07849526.4	
2097554	Leica Microsystems CMS GmbH BANKMANN, Joachim	26/11/2007	2097554	07847345.1	German
2103578	ERLUS AKTIENGESELLSCHAFT	13/03/2009	2103578	09003665.8	German
2103697	JFE Steel Corporation	21/12/2007	2103697	07860538.3	
2108183	SensProtect GmbH	20/12/2007	2108183	07866220.2	German
2116571	Nippon Shokubai Co., Ltd.	04/02/2008	2116571	08710756.1	
2117375	Colgate-Palmolive Company	15/02/2008	2117375	08729932.7	
2118494	Delta T, LLC	28/02/2008	2118494	08730941.5	
2122182	SEW-EURODRIVE GmbH & Co. KG	22/01/2008	2122182	08707176.7	German
2123420	tesa SE	11/05/2009	2123420	09159854.0	German
2127148	Samsung Electronics Co., Ltd.	24/03/2008	2127148	08723684.0	
2127880	MUTOH INDUSTRIES LTD.	08/03/2008	2127880	08720384.0	

---

2129115	Nagravision S.A.	29/05/2008	2129115	08157182.0	French
2133794	Vodafone Holding GmbH	11/06/2009	2133794	09007730.6	German
2135468	Nokia Technologies Oy	07/02/2008	2135468	08709959.4	
2136833	The Board of Trustees of the Leland Stanford Junior University	14/03/2008	2136833	08726820.7	
2136936	Derrick Corporation	27/02/2008	2136936	08730825.0	
2137973	InterDigital VC Holdings, Inc.	20/03/2008	2137973	08727011.2	
2139057	Samsung SDI Co., Ltd.	22/06/2009	2139057	09163394.1	
2140426	Covidien LP	26/03/2008	2140426	08789104.0	
2148366	Commissariat à l'Énergie Atomique et aux Énergies Alternatives	15/07/2009	2148366	09165564.7	French
2150900	Microsoft Technology Licensing, LLC	13/03/2008	2150900	08732136.0	
2151930	Oribtal Sciences Corporation	22/07/2009	2151930	09251841.4	
2155375	Shell Internationale Research Maatschappij B.V.	15/05/2008	2155375	08755552.0	
2155575	Diversey, Inc.	09/06/2008	2155575	08770514.1	
2156680	Nokia Technologies Oy	19/06/2008	2156680	08763392.1	
2158698	Samsung Electronics Co., Ltd.	13/06/2008	2158698	08766279.7	
2159490	BSH Hausgeräte GmbH	06/08/2009	2159490	09167333.5	German
2159734	Gemalto SA	01/12/2003	2159734	09176804.4	French
2160249	Life Technologies AS	29/05/2008	2160249	08760241.3	
2160644	3M Innovative Properties Company	19/05/2008	2160644	08755868.0	
2160724	Troxler Electronics Labs	09/06/2008	2160724	08768283.7	
2160892	Disney Enterprises, Inc.	21/05/2008	2160892	08754596.8	
2161732	LS Industrial Systems Co., Ltd	02/09/2009	2161732	09169262.4	
2164733	KNORR-BREMSE Systeme für Nutzfahrzeuge GmbH	16/05/2008	2164733	08758580.8	German
2165409	Siemens Aktiengesellschaft	07/07/2008	2165409	08779994.6	
2165970	Alps Alpine Co., Ltd.	21/09/2009	2165970	09170808.1	
2167056	Merial, Inc.	09/05/2008	2167056	08750563.2	
2168978	Centro De Ingenieria Genetica Y Biotecnologia	30/05/2008	2168978	08757900.9	
2169531	Canon Kabushiki Kaisha	03/09/2009	2169531	09169341.6	
2169780	Ostmeier, Hubert, Dipl.-Ing.	23/08/2008	2169780	08014950.3	German
2169797	Lenze Automation GmbH	30/09/2009	2169797	09171814.8	German
2171830	Valeo Equipements Electriques Moteur	04/07/2008	2171830	08826457.7	French
2183012	Cook Medical Technologies LLC	18/08/2008	2183012	08798061.1	
2183681	Verity Software House	29/08/2008	2183681	08795709.8	

---

3514	(No. 2386)	Patents Office Journal	(29/05/2019)		
2185649	A.L.M. Holding Company Ergon Asphalt & Emulsions Inc.	05/09/2008	2185649	08829370.9	
2187826	Stryker European Holdings I, LLC Woodwelding AG	18/09/2007	2187826	07818232.6	
2188293	Merck Sharp & Dohme Corp.	12/08/2008	2188293	08795217.2	
2189719	BSH Hausgeräte GmbH	20/11/2009	2189719	09176585.9	German
2191405	F. Hoffmann-La Roche AG	12/05/2008	2191405	08769444.4	
2194347	Samsung Electronics Co., Ltd.	28/05/2009	2194347	09161308.3	
2194412	Nikon Corporation	18/09/2008	2194412	08834355.3	
2194893	ArthroCare Corporation	12/09/2008	2194893	08830559.4	
2195758	B. Braun Melsungen AG	01/10/2008	2195758	08804949.9	German
2199791	F. Hoffmann-La Roche AG	19/12/2008	2199791	08022111.2	German
2200499	Medtronic Monitoring, Inc.	12/09/2008	2200499	08830067.8	
2201059	Rhodia Opérations	29/09/2008	2201059	08804861.6	French
2201455	Oracle America, Inc.	09/10/2008	2201455	08837165.3	
2201671	Siemens Aktiengesellschaft	25/09/2008	2201671	08840452.0	German
2204463	Nippon Steel & Sumitomo Metal Corporation	27/10/2008	2204463	08846041.5	
2205401	Koki Holdings Co., Ltd.	02/10/2008	2205401	08836366.8	
2208598	Mazda Motor Corporation	15/12/2009	2208598	09179177.2	
2211110	Ansaldo Energia Switzerland AG	23/01/2009	2211110	09151280.6	
2214007	ARKRAY, Inc.	31/10/2008	2214007	08844630.7	
2214481	United Animal Health, Inc.	15/10/2008	2214481	08840208.6	
2214612	Smith & Nephew PLC	20/11/2008	2214612	08852616.5	
2216312	M Technique Co., Ltd.	11/09/2008	2216312	08843013.7	
2216939	ZTE Corporation	18/01/2008	2216939	08700690.4	
2217986	Kohler Mira Limited	13/11/2008	2217986	08850909.6	
2218011	Microsoft Technology Licensing, LLC	11/10/2008	2218011	08841698.7	
2218205	Unwired Planet International Limited	30/06/2008	2218205	08774521.2	
2219462	Kellogg Company	29/09/2008	2219462	08834292.8	
2219610	Szolcsányi, János Mózsik, Gyula Perjési, Pál Past, Tibor Pannonpharma Gyógyszergyártó Kft.	26/11/2008	2219610	08853661.0	
2224265	Canon Electron Tubes & Devices Co., Ltd.	20/11/2008	2224265	08852316.2	
2224413	JVC KENWOOD Corporation	19/12/2008	2224413	08865585.7	

---

2226947	Robert Bosch GmbH	22/02/2010	2226947	10154185.2	German
2227174	Salient Surgical Technologies, Inc.	24/12/2008	2227174	08867090.6	
2227276	Liebel-Flarsheim Company LLC	02/12/2008	2227276	08857891.9	
2228574	Cattaneo, Piero	08/02/2010	2228574	10152970.9	
2228961	Hitachi, Ltd.	23/02/2010	2228961	10001860.5	
2229461	V & M Do Brasil S/A	01/12/2008	2229461	08855639.4	
2229592	Avent, Inc.	10/09/2008	2229592	08807592.4	
2231507	UNIVERSITEIT TWENTE	22/12/2008	2231507	08869344.5	
2235926	Afiniti International Holdings, Ltd.	21/01/2009	2235926	09705092.6	
2236497	FUJIFILM Corporation	30/03/2010	2236497	10158348.2	
2239015	Vraco SAS	23/03/2010	2239015	10305285.8	French
2244034	Sener Ingenieria Y Sistemas, S.A.	17/03/2010	2244034	10380037.1	
2245152	F. Hoffmann-La Roche AG	19/02/2009	2245152	09712033.1	German
2245508	University Of Southampton	16/01/2009	2245508	09703684.2	
2245621	Unify GmbH & Co. KG	02/02/2009	2245621	09711908.5	German
2247729	Phio Pharmaceuticals Corp.	11/02/2009	2247729	09709626.7	
2247840	Wärtsilä Finland Oy	02/03/2009	2247840	09718195.2	
2248161	Kaixin Inc.	27/05/2009	2248161	09731470.2	
2248402	ATOTECH Deutschland GmbH	27/02/2009	2248402	09717965.9	
2249898	Fresenius Medical Care Deutschland GmbH	08/01/2009	2249898	09700331.3	German
2250643	Fraunhofer-Gesellschaft zur Förderung der angewandten Forschung e.V.	17/02/2009	2250643	09719651.3	
2250875	CNH Industrial Belgium nv	04/05/2010	2250875	10161805.6	
2251956	Magna Powertrain Bad Homburg GmbH	04/05/2010	2251956	10004686.1	
2254283	ZTE Corporation	05/01/2009	2254283	09719140.7	
2254622	Unomedical A/S	06/02/2009	2254622	09707113.8	
2254695	Fraunhofer-Gesellschaft zur Förderung der angewandten Forschung e.V.	11/02/2009	2254695	09710563.9	
2255069	TCO AS	16/03/2009	2255069	09718900.5	
2255309	Koninklijke Philips N.V.	02/02/2009	2255309	09714958.7	
2256830	S.E.I. Inc. Shimane Prefectural Government	19/03/2009	2256830	09724576.5	
2258412	Johnson & Johnson Vision Care, Inc.	09/09/2002	2258412	10178626.7	
2262138	Standard Microsystems Corporation	12/08/2003	2262138	10183313.5	
2262557	Becton, Dickinson and Company	13/03/2009	2262557	09718668.8	
2262559	Becton, Dickinson and Company	13/03/2009	2262559	09767139.0	

---

3516	(No. 2386)	Patents Office Journal	(29/05/2019)		
2263357	Samsung Electronics Co., Ltd.	03/03/2009	2263357	09717236.5	
2265428	CLPH, LLC	10/03/2009	2265428	09720652.8	
2275760	Whirlpool EMEA S.p.A.	15/07/2010	2275760	10169719.1	
2277840	Kao Corporation	26/03/2009	2277840	09725697.8	
2280048	Nitto Denko Corporation	21/05/2009	2280048	09750634.9	
2282259	Samsung Electronics Co., Ltd.	28/07/2010	2282259	10171049.9	
2286358	Liebel-Flarsheim Company LLC	27/02/2009	2286358	09718975.7	
2289264	Samsung Electronics Co., Ltd.	16/06/2009	2289264	09794586.9	
2291234	IKA - Werke GmbH & Co. KG	13/05/2009	2291234	09768872.5	German
2293242	Samsung Medison Co., Ltd.	26/03/2010	2293242	10157865.6	
2294587	Technip France	29/05/2009	2294587	09755269.9	
2295595	DSM IP Assets B.V.	19/01/2001	2295595	10176025.4	
2295863	Robert Bosch GmbH	06/08/2010	2295863	10172195.9	German
2298063	CNH Industrial Belgium nv	16/09/2010	2298063	10176983.4	
2298397	Becton, Dickinson and Company	14/09/2010	2298397	10176676.4	
2298948	Kyocera Corporation	25/05/2009	2298948	09754654.3	
2300630	Fraunhofer-Gesellschaft zur Förderung der angewandten Forschung	28/05/2009	2300630	09757215.0	German
2301186	BlackBerry Limited	27/10/2008	2301186	08841685.4	
2302668	Intel Corporation	05/05/2008	2302668	10197264.4	
2304404	Rosemount Inc.	03/06/2009	2304404	09763295.4	
2305579	Plastic Omnium Systèmes Urbains	30/09/2010	2305579	10184391.0	French
2306431	BlackBerry Corporation	11/07/2008	2306431	11151245.5	
2307076	Flowonix Medical Incorporated	09/07/2009	2307076	09800783.4	
2309611	Schneider Electric Industries SAS	16/09/2010	2309611	10354049.8	French
2310145	Eastman Chemical Company	16/07/2009	2310145	09788922.4	
2311616	Huntonit AS	09/09/2010	2311616	10175982.7	
2312444	Giesecke+Devrient Mobile Security GmbH	28/09/2010	2312444	10011230.9	German
2312585	Sony DADC US Inc. Sony Corporation	13/10/2010	2312585	10187468.3	
2313146	Vatrix Medical, Inc.	13/07/2009	2313146	09798272.2	
2315237	Shin-Etsu Handotai Co., Ltd.	21/07/2009	2315237	09806550.1	
2317308	Seuthe, Ulrich	02/11/2010	2317308	10014179.5	German
2317638	Daikin Industries, Ltd.	27/07/2009	2317638	09808162.3	
2318487	University of York	03/07/2009	2318487	09772817.4	
2318644	I-TEC AS	25/08/2009	2318644	09810272.6	
2320277	Ricoh Company Ltd.	28/10/2010	2320277	10189215.6	

---

2321752	IXICO Technologies Limited	24/07/2009	2321752	09785393.1	
2323432	NTT DoCoMo, Inc.	02/09/2009	2323432	09811278.2	
2323954	PurposeEnergy, Inc.	16/07/2009	2323954	09790518.6	
2325982	Calsonic Kansei Corporation	04/11/2010	2325982	10014302.3	
2326027	Sanechips Technology Co., Ltd.	11/08/2009	2326027	09812630.3	
2326246	Masimo Corporation	11/09/2009	2326246	09813309.3	
2326993	Hewlett-Packard Development Company, L.P.	15/09/2008	2326993	08822396.1	
2327416	Oxurion NV	05/12/2003	2327416	11152414.6	
2329320	FUJIFILM Corporation	25/09/2009	2329320	09816304.1	
2329819	Laboratorios Senosiain, S.A. De C.V.	04/09/2009	2329819	09811170.1	
2330256	Kaltner, Josef	07/12/2010	2330256	10015349.3	German
2330677	NGK Insulators, Ltd.	25/09/2009	2330677	09817700.9	
2331882	Sunnovations Inc.	06/10/2009	2331882	09819545.6	
2332260	Analog Devices, Inc.	16/09/2009	2332260	09792585.3	
2332704	Norwood Industries, Inc.	29/11/2010	2332704	10193004.8	
2333241	United Technologies Corporation	19/11/2010	2333241	10251962.6	
2334235	F. Hoffmann-La Roche AG	08/09/2009	2334235	09778397.1	
2336885	Orange	21/12/2010	2336885	10196243.9	French
2337946	SEG Automotive Germany GmbH	26/08/2009	2337946	09782229.0	German
2339737	Daikin Industries, Ltd.	16/09/2009	2339737	09814606.1	
2339757	NXP B.V.	21/12/2010	2339757	10196104.3	
2340528	Wincor Nixdorf International GmbH	21/09/2009	2340528	09778619.8	German
2341329	Satake Corporation	01/10/2009	2341329	09818928.5	
2342326	E. I. du Pont de Nemours and Company	01/10/2009	2342326	09793244.6	
2343439	Sogefi Air & Cooling (SAS)	06/01/2011	2343439	11305011.6	French
2344141	Egis Gyógyszergyár Zrt.	30/09/2009	2344141	09748467.9	
2344217	KCI Licensing, Inc.	13/03/2009	2344217	09789512.2	
2345158	Novatec SA Carrillo, Jean-Jacques	01/10/2009	2345158	09747878.8	French
2345449	ResMed R&D Germany GmbH	04/08/2000	2345449	10185462.8	German
2347149	Federal-Mogul Burscheid GmbH	15/10/2009	2347149	09744997.9	German
2348260	Meltem Wärmerückgewinnung GmbH & Co. KG	21/03/2003	2348260	10185598.9	German
2350365	Invista Technologies S.à.r.l.	09/10/2009	2350365	09821056.0	
2350615	Nalco Company	20/10/2009	2350615	09744537.3	
2350857	Microsoft Technology Licensing, LLC	16/10/2009	2350857	09822479.3	

---

3518	(No. 2386)	Patents Office Journal	(29/05/2019)		
2351058	Sawyer, Ed Hosking, Terry	02/03/2009	2351058	09823136.8	
2352864	Commissariat à l'Énergie Atomique et aux Énergies Alternatives	12/10/2009	2352864	09783954.2	French
2354533	DENSO CORPORATION	03/02/2011	2354533	11000869.5	
2355454	Ford Global Technologies, LLC	21/01/2011	2355454	11151623.3	
2356631	3M Innovative Properties Company	01/10/2009	2356631	09737259.3	
2357150	Sumitomo Heavy Industries, LTD. Sumitomo (S.H.I.) Construction Machinery Co., Ltd.	17/11/2009	2357150	09827549.8	
2357497	Dexerials Corporation	29/07/2009	2357497	09831746.4	
2360000	Nissan Motor Co., Ltd.	19/10/2009	2360000	09830266.4	
2362640	CSEM Centre Suisse d'Electronique et de Microtechnique SA - Recherche et Développement	15/02/2010	2362640	10153627.4	
2363700	BAM Bundesanstalt für Materialforschung und -prüfung	03/02/2011	2363700	11153257.8	German
2363765	Montres Breguet SA	02/03/2011	2363765	11156530.5	French
2365492	Littelfuse Japan G.K.	06/11/2009	2365492	09824857.8	
2366024	Takeda Vaccines, Inc.	04/12/2009	2366024	09831233.3	
2366220	QUALCOMM Incorporated	12/11/2009	2366220	09752683.4	
2367263	TDK Corporation	18/03/2011	2367263	11158840.6	
2369875	TCL Communication Technology Holdings Limited	22/12/2009	2369875	09834436.9	
2370794	Endress+Hauser Flowtec AG	11/12/2009	2370794	09774893.3	German
2371288	GENERAL ELECTRIC COMPANY	22/03/2011	2371288	11159253.1	
2372083	Fujitsu General Limited	16/03/2011	2372083	11158472.8	
2374087	Google Technology Holdings LLC	12/11/2009	2374087	09830824.0	
2375317	LG ELECTRONICS INC.	08/02/2011	2375317	11153622.3	
2376399	The University of Nottingham	18/12/2009	2376399	09801767.6	
2377181	Universal Display Corporation	01/10/2009	2377181	09793231.3	
2381515	Toda Kogyo Corp.	19/01/2010	2381515	10733462.5	
2382285	REG Life Sciences, LLC	23/12/2009	2382285	09803969.6	
2382557	Mitsubishi Electric Corporation	15/01/2010	2382557	10717880.8	
2384550	Google Technology Holdings LLC	03/12/2009	2384550	09836659.4	
2387708	New York University	14/01/2010	2387708	10749072.4	
2387760	SimQuest LLC	14/01/2010	2387760	10700786.6	
2388606	Tektronix, Inc.	03/05/2011	2388606	11164651.9	



2388636	EIZO Corporation	25/11/2009	2388636	09838232.8	
2389489	Lock II, L.L.C.	11/01/2010	2389489	10733752.9	
2390376	Nippon Steel & Sumitomo Metal Corporation	19/01/2010	2390376	10733454.2	
2390779	Apple Inc.	31/08/2007	2390779	11178259.5	
2392122	Synamedia Limited	27/01/2010	2392122	10701996.0	
2393367	Fava s.n.c. di Adele Turetta & c.	28/01/2010	2393367	10702855.7	
2394152	ANDE Corporation	03/02/2010	2394152	10732498.0	
2395472	Mobileye Vision Technologies Ltd.	11/06/2010	2395472	10165686.6	
2395719	Qualcomm Incorporated	07/07/2005	2395719	11166524.6	
2395773	ZTE Corporation	18/11/2009	2395773	09848191.4	
2397011	QUALCOMM Incorporated	09/02/2010	2397011	10705225.0	
2397941	LG Electronics Inc.	05/01/2011	2397941	11000056.9	
2399693	United Technologies Corporation	31/03/2011	2399693	11250408.9	
2401068	Corning Incorporated	26/02/2010	2401068	10746917.3	
2402686	Daikin Industries, Ltd.	22/02/2010	2402686	10745948.9	
2403107	Hitachi, Ltd.	27/02/2009	2403107	09840693.7	
2404111	Valmet Technologies Oy	08/02/2010	2404111	10748380.2	
2404370	Dyson Technology Limited	22/02/2010	2404370	10706338.0	
2404412	Twilio Inc.	02/03/2010	2404412	10749216.7	
2405244	Bizerba SE & Co. KG	16/06/2011	2405244	11004936.8	German
2405846	Medtronic Xomed, Inc.	09/03/2010	2405846	10708479.0	
2406707	Nokia Technologies Oy	19/02/2010	2406707	10750440.9	
2406755	Choros Cognition AB	09/03/2010	2406755	10751095.0	
2407617	Hörmann KG Eckelhausen	28/06/2011	2407617	11171644.5	German
2407663	SOLARFOCUS Holding GmbH	07/07/2011	2407663	11005584.5	German
2408360	Raytheon Company Arizona Board of Regents on behalf of The University of Arizona	26/02/2010	2408360	10753795.3	
2414585	Cleanflow Ab	30/03/2010	2414585	10759123.2	
2415311	InterDigital Patent Holdings, Inc.	30/03/2010	2415311	10725538.2	
2416011	Daikin Industries, Ltd.	24/03/2010	2416011	10755654.0	
2416479	General Electric Company	13/07/2011	2416479	11173778.9	
2416490	ALSTOM Transport Technologies	01/08/2011	2416490	11306003.2	French
2416496	Murata Manufacturing Co., Ltd.	27/01/2010	2416496	10761478.6	
2419677	LG Electronics Inc.	12/07/2010	2419677	10800002.7	
2420783	BSH Hausgeräte GmbH	02/08/2011	2420783	11176220.9	German
2423548	Nippon Thermostat Co., Ltd.	17/02/2010	2423548	10766892.3	

3520	(No. 2386)	Patents Office Journal	(29/05/2019)		
2424651	CASALE SA	25/03/2010	2424651	10710343.4	
2426966	Comcast Cable Communications, LLC	31/08/2011	2426966	11179627.2	
2427103	OptumInsight, Inc.	05/05/2010	2427103	10772754.7	
2427195	Intellikine, LLC	06/05/2010	2427195	10772857.8	
2428495	Shin-Etsu Chemical Co., Ltd.	07/09/2011	2428495	11180370.6	
2428877	Sony Interactive Entertainment Inc.	13/09/2011	2428877	11007441.6	
2428938	NCR Corporation	15/08/2011	2428938	11177550.8	
2430217	Metalysis Limited	12/05/2010	2430217	10719374.0	
2430811	QUALCOMM Incorporated	14/05/2010	2430811	10721892.7	
2430812	QUALCOMM Incorporated	14/05/2010	2430812	10722465.1	
2431582	Samsung Heavy Ind. Co., Ltd.	03/05/2010	2431582	10775063.0	
2432504	Genocea Biosciences, Inc.	24/05/2010	2432504	10778532.1	
2432846	S.P.C.M. SA	12/06/2009	2432846	09779731.0	
2432893	University Of Miami	19/05/2010	2432893	10778304.5	
2433014	W & S Management GmbH & Co. KG	19/05/2010	2433014	10724699.3	German
2433082	Polaris Solutions, Ltd.	23/05/2010	2433082	10777457.2	
2434818	Huawei Technologies Co., Ltd.	22/05/2009	2434818	09844795.6	
2435301	Société Lorraine de Construction Aéronautique (SLCA)	28/05/2010	2435301	10731774.5	French
2435796	Silixa Ltd	27/05/2010	2435796	10737370.6	
2436049	Northrop Grumman Systems Corporation	28/05/2010	2436049	10781289.3	
2437464	Accenture Global Services Limited	04/10/2010	2437464	10306081.0	
2438223	Albany International Corp.	27/05/2010	2438223	10732532.6	
2439539	Hitachi High-Technologies Corporation	14/05/2010	2439539	10783091.1	
2441365	CC Clinic Consult GmbH	12/10/2010	2441365	10013559.9	
2441923	United Technologies Corporation	12/10/2011	2441923	11250848.6	
2442185	Ricoh Company, Ltd.	11/10/2011	2442185	11184600.2	
2442750	Cartiheal (2009) Ltd	23/05/2010	2442750	10789101.2	
2443198	Rhodia Opérations	18/06/2010	2443198	10724519.3	French
2445004	Hamamatsu Photonics K.K.	03/06/2010	2445004	10789375.2	
2445265	NEC Corporation	01/06/2010	2445265	10789170.7	
2447120	JATCO Ltd Nissan Motor Co., Ltd.	31/10/2011	2447120	11187246.1	
2447122	JATCO Ltd Nissan Motor Co., Ltd.	31/10/2011	2447122	11187251.1	
2447123	JATCO Ltd Nissan Motor Co., Ltd.	31/10/2011	2447123	11187252.9	

---

2447124	JATCO Ltd Nissan Motor Co., Ltd.	31/10/2011	2447124	11187253.7	
2447458	Hörmann KG Freisen	21/09/2011	2447458	11182260.7	German
2447561	JATCO Ltd Nissan Motor Co., Ltd.	31/10/2011	2447561	11187249.5	
2447755	Lumentum Operations LLC	26/10/2011	2447755	11008593.3	
2447849	TOSHIBA MEMORY CORPORATION	08/09/2008	2447849	11183776.1	
2447906	Nexon Corporation	13/08/2009	2447906	09840953.5	
2448412	JDS Therapeutics, LLC	30/06/2010	2448412	10794738.4	
2448654	Nalco Company	29/06/2010	2448654	10800288.2	
2450135	Kyocera Corporation	23/06/2010	2450135	10794042.1	
2450854	dormakaba Deutschland GmbH	27/10/2011	2450854	11008631.1	German
2451241	China Academy of Telecommunications Technology	17/06/2010	2451241	10793560.3	
2451482	Janssen Pharmaceutica NV	07/07/2010	2451482	10735109.0	
2451882	PRC-DE Soto International, Inc.	29/06/2010	2451882	10730316.6	
2454570	Suren Systems, Ltd.	08/07/2010	2454570	10797864.5	
2454697	Cardiac Pacemakers, Inc.	13/07/2010	2454697	10735379.9	
2456757	The Board of Trustees of the University of Illinois	02/07/2010	2456757	10802643.6	
2457332	Nokia Technologies Oy	23/07/2009	2457332	09847520.5	
2458459	Casio Computer Co., Ltd.	24/11/2011	2458459	11190430.6	
2458504	ZTE Corporation	21/05/2010	2458504	10801892.0	
2458872	Oracle International Corporation	15/08/2006	2458872	12154784.8	
2459269	B. Braun Avitum AG	26/07/2010	2459269	10804938.8	
2461367	Panasonic Intellectual Property Management Co., Ltd.	30/07/2010	2461367	10804560.0	
2464182	Deutsche Telekom AG	01/12/2011	2464182	11009513.0	
2464678	Ethicon, Inc	09/08/2010	2464678	10744791.4	
2465951	Dansk Mink Papir A/S	16/09/2004	2465951	12075029.4	
2466993	Panasonic Intellectual Property Management Co., Ltd.	14/12/2011	2466993	11009848.0	
2469049	Kubota Corporation	03/08/2010	2469049	10809842.7	
2470958	FUJIFILM Corporation	27/08/2010	2470958	10812107.0	
2471406	Albéa Services	28/12/2010	2471406	10306532.2	
2472654	Murata Manufacturing Co., Ltd.	24/11/2009	2472654	12002042.5	
2473018	CNH Industrial Belgium nv	30/08/2010	2473018	10747628.5	

---

3522	(No. 2386)	Patents Office Journal	(29/05/2019)		
2473624	GEN-PROBE INCORPORATED	31/08/2010	2473624	10748219.2	
2473634	Seegene, Inc.	02/09/2010	2473634	10813950.2	
2474369	Voith Patent GmbH	09/08/2010	2474369	10811687.2	
2474895	Sony Network Entertainment, Inc. Sony Corporation	11/10/2011	2474895	11184689.5	
2478344	Microlife Intellectual Property GmbH	07/09/2010	2478344	10749868.5	
2479742	Pi Photonics Inc.	23/08/2010	2479742	10817019.2	
2480068	Pioneer Pet Products, LLC	21/09/2010	2480068	10818033.2	
2480493	Memstar Limited	27/09/2010	2480493	10768051.4	
2481559	Siemens Aktiengesellschaft	01/02/2011	2481559	11152904.6	
2481664	Almaco Group Oy	23/01/2012	2481664	12152030.8	
2482399	ABB Schweiz AG	26/01/2012	2482399	12152772.5	
2482648	Koppers Performance Chemicals Inc.	30/09/2009	2482648	09778781.6	
2483497	Brinkmann, Silke Hillebrandt, Veronika	30/09/2010	2483497	10776291.6	German
2484043	Qualcomm Incorporated	01/10/2010	2484043	10766431.0	
2485026	The Boeing Company	08/02/2011	2485026	11382026.0	
2485381	Daikin Industries, Ltd.	27/09/2010	2485381	10818573.7	
2486613	BlackBerry Limited	07/10/2009	2486613	09850171.1	
2486897	Duke University	01/10/2002	2486897	12156889.3	
2487474	Janner, Siegfried	10/02/2012	2487474	12155008.1	German
2488233	Valeritas, Inc.	12/10/2010	2488233	10823957.5	
2489565	NISSAN MOTOR CO., LTD.	13/10/2010	2489565	10823391.7	
2490340	QUADRAC Co., Ltd.	08/10/2010	2490340	10823356.0	
2490805	BASF SE	01/10/2010	2490805	10766243.9	
2491303	Cree, Inc.	08/10/2010	2491303	10771253.1	
2492613	Mitsubishi Electric Corporation	22/10/2009	2492613	09850577.9	
2492984	Westfälische Wilhelms-Universität Münster Yeda Research and Development Co. Ltd.	03/02/2012	2492984	12153747.6	
2493829	UPM-Kymmene Corporation	01/10/2010	2493829	10819963.9	
2494324	VOLK ENTERPRISES INC.	29/10/2010	2494324	10858260.2	
2495289	KANEKA CORPORATION	28/10/2010	2495289	10826822.8	
2495713	TOYOTA JIDOSHA KABUSHIKI KAISHA	23/03/2010	2495713	10826382.3	
2495855	Robert Bosch GmbH SEG Automotive Germany GmbH	10/01/2012	2495855	12150618.2	German

---

2495996	Bernafor AG	11/12/2007	2495996	11192966.7	
2496302	Pulse Therapeutics, Inc.	02/11/2010	2496302	10827657.7	
2497501	The European Union represented by the European Commission	24/06/2005	2497501	11183364.6	
2499242	Indiana University Research & Technology Corporation	15/11/2010	2499242	10830872.7	
2499569	Alibaba Group Holding Limited	01/10/2010	2499569	10830380.1	
2500678	Samsung Electronics Co., Ltd.	06/03/2012	2500678	12158153.2	
2500971	GS Yuasa International Ltd.	15/03/2012	2500971	12159758.7	
2502235	Hana Inspection & Engineering Co., Ltd	12/11/2010	2502235	10831221.6	
2502410	eSight Corporation	27/09/2010	2502410	10830981.6	
2502461	Lutron Electronics Company, Inc.	19/11/2010	2502461	10790702.4	
2503404	Patek Philippe SA Genève	23/03/2011	2503404	11002390.0	French
2504275	Humboldt Universität zu Berlin	22/11/2010	2504275	10803439.8	German
2504949	LG Electronics Inc.	24/11/2010	2504949	10833545.6	
2505778	NSK Ltd.	28/11/2011	2505778	11845128.5	
2506463	Samsung Electronics Co., Ltd.	08/03/2012	2506463	12158544.2	
2506646	Qualcomm Incorporated	27/01/2009	2506646	12173046.9	
2507501	Husqvarna AB	21/05/2010	2507501	10834830.1	
2507608	Robert Bosch GmbH	07/10/2010	2507608	10775730.4	German
2507738	ExxonMobil Upstream Research Company	02/09/2010	2507738	10833725.4	
2509588	Adisseo France S.A.S.	09/12/2010	2509588	10801645.2	French
2509727	Siemens Energy, Inc. Mikro Systems, Inc.	08/12/2010	2509727	10793385.5	
2510443	Beet, LLC	29/11/2010	2510443	10836427.4	
2511632	Liebherr-Hausgeräte Lienz GmbH	23/03/2012	2511632	12002062.3	German
2512211	Skjæveland, Magne Kverneland Group Operations Norway AS	15/12/2010	2512211	10837946.2	
2512226	PIONEER HI-BRED INTERNATIONAL, INC. E. I. du Pont de Nemours and Company	16/12/2010	2512226	10803313.5	
2514078	Siemens Aktiengesellschaft	01/03/2010	2514078	10708494.9	German
2516886	Anvis SD France SAS	13/12/2010	2516886	10794889.5	French
2517704	Innopharmax, Inc.	25/12/2009	2517704	09852462.2	

---

3524	(No. 2386)	Patents Office Journal	(29/05/2019)		
2519044	National Institute of Information and Communications Technology	15/12/2010	2519044	10838912.3	
2521398	ZTE Corporation	25/09/2010	2521398	10850563.7	
2522144	Nokia Technologies Oy	07/01/2011	2522144	11731721.4	
2522811	General Electric Company	09/05/2012	2522811	12167384.2	
2523705	Motus Gi Medical Technologies Ltd.	11/01/2011	2523705	11731727.1	
2524463	Nokia Technologies Oy	17/01/2011	2524463	11732730.4	
2524510	InterDigital Madison Patent Holdings	13/01/2010	2524510	10702936.5	
2525109	Scania CV AB	09/05/2012	2525109	12167239.8	
2526015	Cargotec Sweden AB	20/01/2011	2526015	11734940.7	
2526248	Stanley Black & Decker, Inc.	19/01/2011	2526248	11735082.7	
2526292	Siemens Aktiengesellschaft	16/09/2010	2526292	10755143.4	
2526571	Insiava (Pty) Limited	21/01/2011	2526571	11705035.1	
2527500	JX Nippon Mining & Metals Corporation	19/01/2011	2527500	11734646.0	
2528869	Whiteman, G. Robert	15/03/2011	2528869	11725828.5	
2529463	Robert Bosch GmbH	29/12/2010	2529463	10800949.9	German
2529835	TARTECH eco industries AG	01/06/2012	2529835	12170392.0	German
2530129	Fujikura Kasei Co., Ltd. Central Motor Wheel Co., Ltd.	25/01/2011	2530129	11736988.4	
2530432	Clarion Co., Ltd.	26/01/2011	2530432	11737059.3	
2530504	Honeywell International Inc.	15/05/2012	2530504	12168145.6	
2530651	Connaught Electronics Ltd.	23/05/2012	2530651	12168986.3	
2531153	Sabeti, Saied	01/02/2011	2531153	11736546.0	
2533172	Kobil Systems GmbH	05/06/2012	2533172	12170772.3	German
2534608	TomTom Global Content B.V.	08/02/2010	2534608	10705573.3	
2534788	Tekelec, Inc.	14/02/2011	2534788	11742958.9	
2534806	Alcatel Lucent	31/12/2010	2534806	10845126.1	
2535625	TLX Technologies	13/06/2012	2535625	12171730.0	
2536179	ZTE Corporation	25/11/2010	2536179	10845581.7	
2538462	LG Innotek Co., Ltd.	19/03/2012	2538462	12160221.3	
2538997	Sanofi-Aventis Deutschland GmbH	16/02/2011	2538997	11703891.9	
2539648	LG Electronics Inc.	23/02/2011	2539648	11747681.2	
2542664	Deinove Centre National de la Recherche Scientifique Université de Montpellier	02/03/2011	2542664	11705906.3	

---

2543536	TOYOTA JIDOSHA KABUSHIKI KAISHA	02/03/2010	2543536	10846986.7	
2543977	Asahi Kasei Engineering Corporation	21/02/2011	2543977	11750503.2	
2544826	Netafim Ltd.	01/03/2011	2544826	11713875.0	
2545368	JRB Engineering Pty Ltd	10/03/2011	2545368	11752751.5	
2546144	Airbus Operations GmbH	06/07/2012	2546144	12175233.1	
2547066	Citrix Systems, Inc.	24/11/2009	2547066	12187799.7	
2547396	Nanomed Devices, Inc.	17/03/2010	2547396	10848088.0	
2547554	SC2N	11/03/2011	2547554	11715574.7	French
2548330	UTC Fire & Security Corporation	18/03/2010	2548330	10848104.5	
2548674	Kao Corporation	18/03/2011	2548674	11756441.9	
2548988	Nippon Steel & Sumikin Stainless Steel Corporation	09/03/2011	2548988	11756153.0	
2549624	LG Innotek Co., Ltd.	22/05/2012	2549624	12168920.2	
2549680	Samsung Electronics Co., Ltd.	16/03/2011	2549680	11756555.6	
2550700	Intelligent Energy Limited	18/03/2011	2550700	11711396.9	
2550811	Sivantos Pte. Ltd.	28/06/2011	2550811	11741415.1	
2551526	Mitsubishi Electric Corporation	10/05/2012	2551526	12167431.1	
2551614	Samsung Electronics Co., Ltd.	26/03/2012	2551614	12161188.3	
2551689	Yokogawa Electric Corporation	26/07/2012	2551689	12178073.8	
2553426	Venator Materials UK Limited	25/03/2011	2553426	11718144.6	
2553601	ExxonMobil Upstream Research Company	21/02/2011	2553601	11763192.9	
2553808	MKS Instruments, Inc.	17/01/2011	2553808	11701719.4	
2554007	Orange	30/03/2011	2554007	11719319.3	French
2554074	YKK Corporation	29/03/2010	2554074	10848883.4	
2554250	Nara Machinery Co., Ltd. Japan Atomic Energy Agency	22/02/2011	2554250	11759143.8	
2554351	OROPLASTIC, NAAMLOZE VENNOOTSCHAP	12/06/2012	2554351	12004408.6	
2554531	Daikin Industries, Ltd.	18/02/2011	2554531	11762398.3	
2554675	JXTG Nippon Oil & Energy Corporation	29/03/2011	2554675	11762840.4	
2554936	The Boeing Company	02/08/2012	2554936	12178979.6	
2556141	Terumo BCT, Inc.	09/03/2011	2556141	11708964.9	
2557511	Rakuten, Inc.	30/05/2011	2557511	11786801.8	
2557612	Samsung SDI Co., Ltd. Robert Bosch GmbH	30/07/2012	2557612	12178450.8	

---

3526	(No. 2386)	Patents Office Journal	(29/05/2019)		
2560181	Aclara Meters LLC	16/08/2012	2560181	12180734.1	
2562491	Mahle International GmbH	24/08/2011	2562491	11178644.8	
2562830	LG Innotek Co., Ltd.	19/03/2012	2562830	12160223.9	
2564886	Covidien LP	29/08/2012	2564886	12182193.8	
2565423	United Technologies Corporation	28/08/2012	2565423	12182034.4	
2565777	Seiko Epson Corporation	29/08/2012	2565777	12182138.3	
2565944	Nichia Corporation	31/08/2012	2565944	12182595.4	
2568805	XVIVO Perfusion AB	13/05/2011	2568805	11780879.0	
2569869	Qualcomm Incorporated	13/05/2011	2569869	11721915.4	
2569893	Qualcomm Incorporated	13/05/2011	2569893	11721924.6	
2570593	United Technologies Corporation	24/05/2012	2570593	12169245.3	
2572082	Graco Minnesota Inc.	18/05/2011	2572082	11783862.3	
2573278	Deere & Company	21/08/2012	2573278	12181235.8	German
2573478	MAICO Elektroapparate-Fabrik GmbH	03/08/2012	2573478	12005656.9	German
2574614	BASF SE	30/09/2011	2574614	11183619.3	German
2574979	HannStar Display Corp.	26/09/2012	2574979	12186013.4	
2575557	Grovist Innovations, LLC	06/06/2011	2575557	11790549.7	
2576849	Arcelormittal Wire France	23/03/2011	2576849	11719592.5	French
2577222	Intuitive Surgical Operations Inc.	31/05/2011	2577222	11790271.8	
2577508	Oracle International Corporation	12/05/2011	2577508	11722660.5	
2578719	Nippon Steel & Sumitomo Metal Corporation	31/05/2011	2578719	11789784.3	
2579144	BlackBerry Limited	27/09/2012	2579144	12186233.8	
2579183	Accenture Global Services Limited	03/10/2011	2579183	11306280.6	
2579247	Harman International Industries, Inc.	27/09/2012	2579247	12186430.0	
2579535	China Academy of Telecommunications Technology	25/05/2011	2579535	11786087.4	
2579914	Motus Gi Medical Technologies Ltd.	13/06/2011	2579914	11732520.9	
2581549	Halliburton Manufacturing & Services Limited	19/09/2012	2581549	12185088.7	
2581661	Mitsubishi Heavy Industries Environmental & Chemical Engineering Co., Ltd.	10/06/2011	2581661	11792555.2	
2581985	TE Connectivity Corporation	08/10/2012	2581985	12187612.2	
2582046	National University Corporation Kyoto Institute of Technology	08/06/2011	2582046	11792489.4	



---

2582364	LTS LOHMANN Therapie-Systeme AG Grünenthal GmbH	15/06/2011	2582364	11726705.4	German
2582411	Edwards Lifesciences Corporation	17/06/2011	2582411	11796556.6	
2583560	Suntory Holdings Limited	20/06/2011	2583560	11798085.4	
2584170	United Technologies Corporation	19/10/2012	2584170	12189275.6	
2584714	LG Electronics Inc.	16/06/2011	2584714	11795968.4	
2584932	SWIMC LLC	24/06/2011	2584932	11733717.0	
2585134	Sanofi-Aventis Deutschland GmbH	22/06/2011	2585134	11726829.2	
2586687	Honda Motor Co., Ltd.	28/09/2012	2586687	12186622.2	
2587194	Zhejiang Sanhua Automotive Components Co., Ltd.	17/11/2011	2587194	11841892.0	
2587732	LG Electronics Inc.	27/06/2011	2587732	11798419.5	
2587781	Brother Kogyo Kabushiki Kaisha	12/09/2012	2587781	12183973.2	
2591145	Siemens Energy, Inc.	22/06/2011	2591145	11729840.6	
2591186	CFS Concrete Forming Systems Inc.	06/07/2011	2591186	11803054.3	
2591401	CompliTime SA	04/07/2011	2591401	11729120.3	French
2592360	NuAire Limited	12/11/2012	2592360	12192262.9	
2592778	ACER INCORPORATED	08/11/2012	2592778	12191751.2	
2593269	MAHLE Behr GmbH & Co. KG	12/07/2011	2593269	11736034.7	German
2593830	Carl Zeiss Vision, Inc. Carl Zeiss Vision International GmbH	30/09/2010	2593830	10763289.5	
2594805	IHI Corporation	12/07/2011	2594805	11806782.6	
2595003	Kyocera Document Solutions Inc.	19/11/2012	2595003	12193136.4	
2595418	Samsung Electronics Co., Ltd.	16/11/2012	2595418	12193088.7	
2596881	Sintokogio, Ltd.	28/02/2011	2596881	11809474.7	
2597036	Hamilton Sundstrand Corporation	27/11/2012	2597036	12194488.8	
2597207	Hitachi Construction Machinery Co., Ltd.	20/07/2011	2597207	11809674.2	
2598229	Calcidrata S.p.A.	07/03/2011	2598229	11719375.5	
2598618	Air Liquide Global E&C Solutions Germany GmbH	15/06/2011	2598618	11743964.6	German
2599365	The Board of Trustees of the University of Illinois	27/07/2011	2599365	11813125.9	
2599387	Nordischer Maschinenbau Rud. Baader GmbH + Co. KG	02/12/2011	2599387	11191797.7	German
2600034	Kabushiki Kaisha Toyota Chuo Kenkyusho	27/06/2011	2600034	11812204.3	

---

3528	(No. 2386)	Patents Office Journal	(29/05/2019)		
2601403	Savoie, Yves	25/07/2011	2601403	11813981.5	
2601488	Ecolab USA Inc.	01/08/2011	2601488	11814188.6	
2601812	Qualcomm Incorporated	05/08/2011	2601812	11751706.0	
2603663	Halliburton Energy Services, Inc.	05/08/2011	2603663	11816856.6	
2605073	Canon Kabushiki Kaisha	06/12/2012	2605073	12195796.3	
2606319	Endress+Hauser Flowtec AG	11/07/2011	2606319	11741149.6	German
2606494	Siemens Aktiengesellschaft	19/09/2011	2606494	11766911.9	German
2607191	Valeo Systèmes d'Essuyage	10/12/2012	2607191	12196263.3	French
2607193	Nissan Motor Manufacturing (UK) Ltd.	18/10/2012	2607193	12189038.8	
2607427	Toyobo Co., Ltd.	17/08/2011	2607427	11818212.0	
2607444	Toyo Seikan Kaisha, Ltd.	16/08/2011	2607444	11818196.5	
2607600	Vartanian, Markar	14/06/2012	2607600	12004510.9	
2608436	Huawei Technologies Co., Ltd.	26/07/2011	2608436	11858144.6	
2608443	Spreadtrum Communications (Shanghai) Co., Ltd.	19/12/2012	2608443	12198277.1	
2608827	Sanofi-Aventis Deutschland GmbH	25/08/2011	2608827	11752511.3	
2609346	Litens Automotive Partnership	24/08/2011	2609346	11819244.2	
2610686	Ricoh Company, Ltd.	22/11/2012	2610686	12193744.5	
2610968	ABB Schweiz AG	17/12/2012	2610968	12197433.1	
2611000	Fujitsu General Limited	27/12/2012	2611000	12199495.8	
2611112	VeriSign, Inc.	14/12/2012	2611112	12197268.1	
2612797	TOYOTA JIDOSHA KABUSHIKI KAISHA	03/09/2010	2612797	10856734.8	
2613222	National Institute of Advanced Industrial Science and Technology	30/08/2011	2613222	11821758.7	
2613374	LG Display Co., Ltd.	07/10/2011	2613374	11830939.2	
2613513	Alcatel Lucent	03/01/2012	2613513	12305005.6	
2613777	Regenera Pharma Ltd.	07/09/2011	2613777	11823157.0	
2614777	Samsung Medison Co., Ltd.	30/03/2012	2614777	12162593.3	
2615994	Intuitive Surgical Operations, Inc.	28/10/2011	2615994	11781933.4	
2616102	Sanofi-Aventis Deutschland GmbH	16/09/2011	2616102	11757861.7	
2616147	Amer Sports Canada Inc.	14/09/2011	2616147	11824653.7	
2616641	Siemens Energy, Inc.	23/08/2011	2616641	11749684.4	
2617961	Mitsubishi Heavy Industries Engine & Turbocharger, Ltd.	16/12/2011	2617961	11853195.3	
2618404	LG Chem, Ltd.	23/03/2011	2618404	11730169.7	
2618829	The Regents of the University of Colorado, a body corporate	21/09/2011	2618829	11827421.6	

---

2618968	Robert Bosch GmbH	07/09/2011	2618968	11754400.7	German
2619612	LG Innotek Co., Ltd.	04/03/2011	2619612	11826960.4	
2620547	Wirtgen GmbH	10/01/2013	2620547	13000106.8	German
2620941	Dolby International AB	15/01/2010	2620941	13164569.9	
2621324	Dyson Technology Limited	02/09/2011	2621324	11752631.9	
2621662	WaveLight GmbH	30/09/2010	2621662	10763131.9	German
2622809	Orange	30/09/2011	2622809	11779765.4	French
2623495	Techfields Biochem Co. Ltd Yu, Chongxi	03/09/2006	2623495	13153470.3	
2624243	Ignis Innovation Inc.	04/02/2013	2624243	13153887.8	
2624435	Samsung Electronics Co., Ltd.	23/10/2012	2624435	12189619.5	
2625444	Allison Transmission, Inc.	23/09/2011	2625444	11831219.8	
2626058	KURARAY NORITAKE DENTAL INC.	30/09/2011	2626058	11830599.4	
2627072	Sony Interactive Entertainment Inc.	29/07/2011	2627072	11830312.2	
2627379	Sanofi-Aventis Deutschland GmbH	11/10/2011	2627379	11767701.3	
2628046	RED.COM, LLC	06/05/2011	2628046	11785502.3	
2628906	Ansaldo Energia IP UK Limited	19/02/2013	2628906	13155815.7	
2629112	TDK Electronics AG	17/12/2008	2629112	13168326.0	German
2629937	Robert Bosch GmbH	28/09/2011	2629937	11761622.7	German
2632471	Dignity Health	27/10/2011	2632471	11837115.2	
2632864	Shiseido International France	24/10/2011	2632864	11794533.7	French
2633283	Becton, Dickinson and Company	24/10/2011	2633283	11782698.2	
2633647	Telefonaktiebolaget LM Ericsson (publ)	27/10/2010	2633647	10859035.7	
2635709	Leiden University Medical Center (LUMC) Acting on Behalf Of Academic Hospital Leiden (AZL) Celera Corporation	02/11/2011	2635709	11838747.1	
2636137	Signify Holding B.V.	04/11/2011	2636137	11782742.8	
2636171	Samsung Electronics Co., Ltd.	04/11/2011	2636171	11838264.7	
2636212	Skype	31/08/2011	2636212	11761026.1	
2636246	Opanga Networks, Inc.	02/11/2011	2636246	11838759.6	
2636566	TOYOTA JIDOSHA KABUSHIKI KAISHA	04/11/2010	2636566	10859253.6	
2636839	EXTE GmbH	04/03/2013	2636839	13157560.7	German
2636872	Hamilton Sundstrand Corporation	04/03/2013	2636872	13157705.8	
2636974	DENSO THERMAL SYSTEMS S.p.A.	07/03/2013	2636974	13158114.2	
2637251	Samsung Electronics Co., Ltd.	07/03/2013	2637251	13158246.2	

---

3530	(No. 2386)	Patents Office Journal	(29/05/2019)		
2638794	Seppi M. AG	08/03/2013	2638794	13158452.6	German
2639046	The Boeing Company	02/06/2009	2639046	13172166.4	
2639119	Mitsuba Corporation	29/11/2011	2639119	11847428.7	
2639676	Samsung Electronics Co., Ltd.	12/03/2013	2639676	13158819.6	
2640821	Chevron Oronite Company LLC	15/11/2011	2640821	11841696.5	
2641422	Nokia Solutions and Networks Oy	18/11/2010	2641422	10777036.4	
2642888	Paul Hettich GmbH & Co. KG	15/11/2011	2642888	11782153.8	German
2643872	ads-tec GmbH	26/11/2011	2643872	11794640.0	German
2645027	Whirlpool EMEA S.p.A.	18/03/2013	2645027	13159688.4	
2645278	Orange	28/03/2013	2645278	13161815.9	French
2646153	Abbott Point of Care Inc.	01/12/2011	2646153	11796881.8	
2647341	Covidien LP	01/12/2010	2647341	13175377.4	
2648236	LG Innotek Co., Ltd.	31/03/2003	2648236	13174570.5	
2648238	Shinko Electric Industries Co., Ltd.	18/03/2013	2648238	13159690.0	
2648496	Inertech IP LLC	23/06/2011	2648496	13173395.8	
2648672	Habiche, Leila Benedicte	26/10/2011	2648672	11776424.1	
2649323	Caprari S.p.A.	09/12/2011	2649323	11794479.3	
2649354	BSH Hausgeräte GmbH	05/10/2011	2649354	11764216.5	German
2649435	The Boeing Company	26/10/2011	2649435	11784843.2	
2649969	Abbott Cardiovascular Systems Inc.	20/09/2007	2649969	13174987.1	
2649982	Artec Chemical Company Limited	14/03/2013	2649982	13159161.2	
2650274	Vironova Thionation AB	03/02/2012	2650274	13175186.9	
2650413	Carl Freudenberg KG	12/03/2013	2650413	13001246.1	German
2651168	Datang Mobile Communications Equipment Co., Ltd.	30/11/2011	2651168	11847785.0	
2651582	GKN Sinter Metals, LLC	12/12/2011	2651582	11848714.9	
2652336	Safran Aircraft Engines	15/12/2011	2652336	11817347.5	French
2652444	NEC Corporation	15/12/2011	2652444	11805819.7	
2652614	Advanced Micro Devices, Inc. ATI Technologies ULC	05/12/2011	2652614	11802224.3	
2653636	EMKA BESCHLAGTEILE GmbH & Co. KG	10/04/2013	2653636	13163018.8	German
2656129	Nufern	21/12/2011	2656129	11813849.4	
2656531	Orange	19/12/2011	2656531	11817397.0	French
2657039	Sato Holdings Kabushiki Kaisha	20/12/2011	2657039	11851240.9	
2657482	Mitsubishi Hitachi Power Systems, Ltd.	24/12/2010	2657482	10861150.0	
2657776	Brother Kogyo Kabushiki Kaisha	28/03/2013	2657776	13161645.0	
2658750	Valeo Systèmes d'Essuyage	08/12/2011	2658750	11804975.8	

---

2659109	Rolls-Royce Corporation	23/12/2011	2659109	11853700.0	
2659371	Microsoft Technology Licensing, LLC	22/12/2011	2659371	11853294.4	
2659789	Symrise AG	04/05/2012	2659789	12166745.5	German
2660156	Kawasaki Jukogyo Kabushiki Kaisha	16/12/2011	2660156	11853500.4	
2660652	Nitto Denko Corporation	15/12/2011	2660652	11852906.4	
2661003	Sun Patent Trust	26/12/2008	2661003	13178987.7	
2661335	CTF France	06/01/2012	2661335	12700551.0	French
2661804	Enphase Energy, Inc.	02/01/2012	2661804	12732254.3	
2662648	Miele & Cie. KG Liebherr-Hausgeräte Ochsenhausen GmbH	10/05/2012	2662648	12401091.9	German
2662689	The Boeing Company	10/05/2013	2662689	13167345.1	
2663000	Sun Patent Trust	20/12/2011	2663000	11854608.4	
2663428	Hoelsaeter, Geir	12/12/2011	2663428	11860226.7	
2663954	International Business Machines Corporation	10/01/2012	2663954	12734136.0	
2664196	Qualcomm Incorporated	09/01/2012	2664196	12701790.3	
2664273	livetec Ingenieurbüro GmbH	17/05/2013	2664273	13002610.7	German
2664536	Renk Aktiengesellschaft	15/05/2013	2664536	13002554.7	German
2664939	Skytron Energy GmbH	18/05/2012	2664939	12168530.9	German
2666060	HP Indigo B.V.	21/01/2011	2666060	11700934.0	
2666326	T-Mobile USA, Inc.	20/01/2012	2666326	12737175.5	
2666426	Biosense Webster (Israel) Ltd.	24/05/2013	2666426	13169246.9	
2667095	TOYOTOMI CO., LTD.	15/05/2013	2667095	13275118.1	
2667622	Samsung Electronics Co., Ltd.	19/01/2012	2667622	12736581.5	
2668584	Headwater Research LLC	24/01/2012	2668584	12739482.3	
2669000	EPPENDORF AG	03/11/2010	2669000	13004188.2	German
2670375	3M Innovative Properties Company	12/01/2012	2670375	12701210.2	
2670977	Liftra IP ApS	11/01/2012	2670977	12734295.4	
2671156	Thomson Licensing	09/01/2012	2671156	12702638.3	
2671179	Life Technologies Corporation	01/02/2012	2671179	12707407.8	
2671352	Tata Consultancy Services Ltd.	07/12/2011	2671352	11822869.1	
2671803	The Boeing Company	06/06/2013	2671803	13170866.1	
2672723	Samsung Electronics Co., Ltd.	03/01/2013	2672723	13150177.7	
2672753	Vodafone Holding GmbH	29/05/2013	2672753	13002796.4	German
2672855	K2 Sports, LLC	21/01/2011	2672855	11734963.9	
2673805	Nokia Technologies Oy	03/02/2012	2673805	12744509.6	
2674411	FERTINAGRO BIOTECH, S.L.	07/02/2011	2674411	11715007.8	

---

3532	(No. 2386)	Patents Office Journal	(29/05/2019)		
2675061	Panasonic Corporation	03/02/2012	2675061	12744746.4	
2676150	Koninklijke Philips N.V.	10/02/2012	2676150	12710788.6	
2676792	Mitsubishi Heavy Industries, Ltd.	15/02/2012	2676792	12747044.1	
2676844	HONDA MOTOR CO., LTD.	10/02/2012	2676844	12747380.9	
2677555	Oxford Instruments Technologies Oy	17/06/2013	2677555	13397520.1	
2678033	Oxford University Innovation Limited	24/02/2012	2678033	12749278.3	
2678162	Hewlett-Packard Development Company, L.P.	25/02/2011	2678162	11859445.6	
2678868	Miraco, Inc.	22/02/2012	2678868	12750060.1	
2679214	Lee, Yong Kwon	27/02/2012	2679214	12749931.7	
2679376	Delta Electronics, Inc.	21/02/2013	2679376	13156204.3	
2679644	Dainichiseika Color & Chemicals Mfg. Co., Ltd. Ukima Chemicals & Color Mfg. Co., Ltd.	22/02/2012	2679644	12749523.2	
2681049	Hewlett-Packard Development Company, L.P.	04/03/2011	2681049	11860201.0	
2681171	Geolyth Mineral Technologie GmbH	28/02/2011	2681171	11718229.5	German
2682250	Bosch Sprang B.V.	04/07/2013	2682250	13175182.8	
2682284	Bridgestone Corporation	13/02/2012	2682284	12752938.6	
2682373	Nikon Corporation	02/03/2012	2682373	12752504.6	
2682791	Toppan Printing Co., Ltd.	27/02/2012	2682791	12752008.8	
2682947	Qioptiq Limited	02/07/2013	2682947	13174806.3	
2683051	Intel Corporation	07/07/2008	2683051	13186429.0	
2683168	Sony Corporation	17/01/2013	2683168	13748981.1	
2683261	Lorillard Tobacco Company	05/03/2012	2683261	12754285.0	
2683510	Ceratizit Austria Gesellschaft m.b.H.	08/03/2012	2683510	12721685.1	German
2684248	Thrane & Thrane A/S	29/02/2012	2684248	12707273.4	
2684598	Kurita Water Industries Ltd.	05/03/2012	2684598	12755214.9	
2684814	Papiersackfabrik Tenax GmbH & Co. KG	11/10/2013	2684814	13188353.0	German
2684825	TSUDAKOMA KOGYO KABUSHIKI KAISHA	11/07/2013	2684825	13176020.9	
2685111	Syma Intercontinental AG	12/07/2012	2685111	12176195.1	German
2686016	CELLMID LIMITED	13/03/2012	2686016	12757658.5	
2686046	Becton, Dickinson and Company	17/03/2011	2686046	11861021.1	

---

2686119	Ejlskov A/S Vlaamse Instelling voor Technologisch Onderzoek NV (VITO NV)	14/03/2012	2686119	12713623.2	
2686519	Total SA Université de Pau et des Pays de l'Adour Centre National de la Recherche Scientifique	13/03/2012	2686519	12708047.1	French
2686867	Micromass UK Limited	15/03/2012	2686867	12716065.3	
2687314	Kawasaki Jukogyo Kabushiki Kaisha	16/03/2012	2687314	12760081.5	
2688329	NEC Corporation	01/11/2011	2688329	11861002.1	
2688953	Dow Global Technologies LLC	22/03/2012	2688953	12761119.2	
2691118	Schäfer, Konstanze Libera-Körner, Jeanette	29/03/2012	2691118	12714607.4	German
2691512	Asterias Biotherapeutics, Inc.	28/03/2012	2691512	12763669.4	
2691847	EMC Corporation	07/03/2012	2691847	12763802.1	
2692281	Prodol Meditec, S.A.	20/03/2012	2692281	12764293.2	
2692392	Hitachi, Ltd.	26/07/2013	2692392	13178230.2	
2692855	Robert Bosch GmbH	17/07/2013	2692855	13176891.3	German
2693428	D&M Holdings, Inc.	30/09/2011	2693428	11862358.6	
2694257	Igus GmbH	29/03/2012	2694257	12713668.7	German
2694763	CISA S.p.A.	08/04/2011	2694763	11722929.4	
2695429	Alcatel Lucent	08/11/2011	2695429	11863228.0	
2695897	Astellas Pharma Inc.	30/03/2012	2695897	12767727.6	
2696640	General Dynamics C4 Systems, Inc.	07/08/2013	2696640	13179573.4	
2697501	Robert Bosch GmbH	22/02/2012	2697501	12706236.2	German
2698307	Deutsches Zentrum für Luft- und Raumfahrt e.V.	14/08/2013	2698307	13180353.8	German
2701153	Samsung Electronics Co., Ltd.	14/08/2013	2701153	13180317.3	
2701188	Semiconductor Components Industries, LLC	20/08/2013	2701188	13181098.8	
2701333	Alcatel Lucent	23/08/2012	2701333	12306017.0	
2702948	Canon Kabushiki Kaisha	27/08/2013	2702948	13181765.2	
2703097	Shinko Metal Products Co., Ltd. NHK Spring Co., Ltd.	14/03/2007	2703097	13191278.4	
2704391	Broadpeak	27/08/2012	2704391	12306026.1	
2705223	Safran Aircraft Engines	04/05/2012	2705223	12725107.2	French
2705751	EXEL INDUSTRIES	06/09/2013	2705751	13183414.5	French

---

3534	(No. 2386)	Patents Office Journal	(29/05/2019)		
2706165	IsoBouw Systems B.V.	04/09/2013	2706165	13183025.9	
2707003	Paratek Pharmaceuticals, Inc. Allergan Pharmaceuticals International Limited	14/05/2012	2707003	12782600.6	
2709067	BlackBerry Limited	13/09/2012	2709067	12184333.8	
2709459	Bertocchi, Alessandro	16/05/2012	2709459	12769477.6	
2710095	Praxair Technology, Inc.	11/05/2012	2710095	12727183.1	
2710967	ConforMIS, Inc.	06/02/2007	2710967	13164551.7	
2711494	miimo Ltd. Nakano, Yasuo	11/05/2012	2711494	12782888.7	
2712502	Deere & Company John Deere Fabriek Horst B.V.	20/09/2013	2712502	13185261.8	
2712607	Johnson & Johnson Consumer Inc.	23/09/2013	2712607	13185624.7	
2712742	Mando Corporation	26/10/2012	2712742	12190218.3	
2713562	ROBERT BOSCH GMBH	30/08/2013	2713562	13182317.1	German
2715037	Ultra Premium Oilfield Services, Ltd.	21/05/2012	2715037	12724267.5	
2715101	Jaguar Land Rover Limited	10/05/2012	2715101	12720494.9	
2715485	Microsoft Technology Licensing, LLC	09/10/2011	2715485	11867035.5	
2715755	Logicdata Electronic&Software Entwicklungs GmbH	23/05/2012	2715755	12726602.1	German
2716764	Beijing Bio-Targeting Therapeutics Technology Inc.	29/02/2012	2716764	12792810.9	
2717933	Dentsply IH AB	11/06/2012	2717933	12799856.5	
2718812	International Business Machines Corporation	06/06/2012	2718812	12796002.9	
2718826	International Business Machines Corporation	30/05/2012	2718826	12797604.1	
2720902	Continental Automotive GmbH	11/06/2012	2720902	12726451.3	German
2721783	Osram Sylvania Inc.	15/06/2012	2721783	12733267.4	
2722228	MAN Truck & Bus AG	10/06/2013	2722228	13002970.5	German
2722609	Sanyo Electric Co., Ltd.	20/06/2012	2722609	12803151.5	
2722663	Konica Minolta, Inc.	31/05/2012	2722663	12801279.6	
2723028	ZTE Corporation	19/08/2011	2723028	11867829.1	
2723141	Sony Corporation	08/06/2012	2723141	12800575.8	
2723481	Apiqe Inc. Erigican, Erdogan Huang, Jing	22/06/2012	2723481	12802311.6	
2723569	Eastman Chemical Company	08/06/2012	2723569	12731781.6	



2723882	Centrient Pharmaceuticals Netherlands B.V.	21/06/2012	2723882	12733001.7	
2726069	GW Pharma Limited	29/06/2012	2726069	12731151.2	
2726214	Saint-Gobain Abrasives, Inc. Saint-Gobain Abrasifs	28/06/2012	2726214	12805077.0	
2727656	Sonoco Development, Inc.	31/10/2013	2727656	13190975.6	
2727689	Krones Aktiengesellschaft	08/10/2013	2727689	13187776.3	German
2728170	Envision Energy (Denmark) ApS	28/10/2013	2728170	13190483.1	
2728623	Kaneka Corporation	29/06/2012	2728623	12805375.8	
2729213	Cardiac Pacemakers, Inc.	25/06/2012	2729213	12733359.9	
2729397	Siemens Aktiengesellschaft	05/09/2012	2729397	12769953.6	German
2729534	Brewer Science, Inc.	26/06/2012	2729534	12807860.7	
2729679	Faurecia Emissions Control TechnologiesGermany GmbH	22/06/2012	2729679	12729361.1	German
2729822	Commissariat à l'Énergie Atomique et aux Énergies Alternatives	04/07/2012	2729822	12732652.8	French
2730007	Sony Corporation	02/07/2012	2730007	12808131.2	
2730498	The Boeing Company	12/11/2013	2730498	13192586.9	
2731227	ROBERT BOSCH GMBH	13/09/2013	2731227	13184249.4	German
2732117	dormakaba Deutschland GmbH	30/05/2012	2732117	12727297.9	German
2732136	Siemens Energy, Inc.	22/06/2012	2732136	12733329.2	
2732752	Olympus Corporation	06/09/2012	2732752	12868476.8	
2733042	Hitachi, Ltd.	07/11/2013	2733042	13191851.8	
2734379	Hewlett-Packard Development Company, L.P.	21/07/2011	2734379	11869605.3	
2734532	SAUDI ARAMCO TECHNOLOGIES COMPANY	18/07/2012	2734532	12814377.3	
2734633	Novozymes North America, Inc.	19/07/2012	2734633	12746168.9	
2735675	EMKA BESCHLAGTEILE GmbH & Co. KG	14/11/2013	2735675	13192892.1	German
2737795	The Boeing Company	22/11/2013	2737795	13194092.6	
2737944	NGK Insulators, Ltd.	22/11/2013	2737944	13194028.0	
2738152	Saudi Basic Industries Corporation	28/11/2012	2738152	12194658.6	
2738356	Safran Aero Boosters SA	29/11/2012	2738356	12194852.5	French
2738421	Aichi Kikai Kogyo Kabushiki Kaisha	02/12/2011	2738421	11869849.7	
2739215	W.L. Gore & Associates, Inc.	03/08/2012	2739215	12746239.8	
2739536	Manrex Pty. Ltd	18/07/2012	2739536	12820701.6	
2739596	Blue Cube IP LLC	01/08/2012	2739596	12750649.1	

3536	(No. 2386)	<i>Patents Office Journal</i>		(29/05/2019 )	
2739984	Max-Planck-Gesellschaft zur Förderung der Wissenschaften e.V.	01/08/2011	2739984	11738973.4	
2740031	Viaccess	18/07/2012	2740031	12735890.1	French
2740107	Giesecke+Devrient Currency Technology GmbH	06/07/2012	2740107	12735095.7	German
2740155	Robert Bosch GmbH	19/07/2012	2740155	12737284.5	German
2740533	Hyundai Motor Company POSTECH Academy-Industry Foundation	15/11/2013	2740533	13193113.1	
2740616	The Goodyear Tire & Rubber Company	03/12/2013	2740616	13195466.1	
2741243	LG Electronics Inc.	07/11/2013	2741243	13191868.2	
2741443	Barclays Services Limited	04/12/2013	2741443	13195664.1	
2741567	ZTE Corporation	10/05/2012	2741567	12820692.7	
2742386	Macdermid Graphics Solutions, LLC	18/07/2012	2742386	12821508.4	
2742597	Google Technology Holdings LLC	30/07/2012	2742597	12743862.0	
2742803	Arch Chemicals, Inc.	25/05/2007	2742803	14150293.0	
2743086	Brother Kogyo Kabushiki Kaisha	06/11/2013	2743086	13191745.2	
2744124	Panasonic Intellectual Property Management Co., Ltd.	22/11/2013	2744124	13193994.4	
2744422	Anchor Orthopedics XT Inc.	17/08/2012	2744422	12823308.7	
2745933	IBIDEN CO., LTD.	18/08/2011	2745933	11870891.6	
2747509	Qualcomm Incorporated	05/05/2011	2747509	14001052.1	
2747534	Rittal GmbH & Co. KG	29/11/2013	2747534	13005568.4	German
2748323	BASF Agricultural Solutions Seed US LLC	14/08/2012	2748323	12745881.8	
2748615	Kleinfeld, Alan M.	24/08/2012	2748615	12827317.4	
2748631	Ontario Power Generation Inc.	26/09/2012	2748631	12836517.8	
2749069	Telefonaktiebolaget LM Ericsson (publ)	07/10/2011	2749069	11873600.8	
2749364	JFE Steel Corporation	17/08/2012	2749364	12825292.1	
2749403	Sumitomo Rubber Industries, Ltd.	27/07/2012	2749403	12838681.0	
2750108	Dassault Systèmes	28/12/2012	2750108	12306696.1	
2750408	GN Hearing A/S	28/12/2012	2750408	12199666.4	
2750492	AutoNetworks Technologies, Ltd. Sumitomo Wiring Systems, Ltd. Sumitomo Electric Industries, Ltd.	26/09/2012	2750492	12836587.1	
2750607	Koninklijke Philips N.V.	13/09/2012	2750607	12783299.6	
2750780	Agilent Technologies, Inc.	04/09/2011	2750780	11752222.7	
2751239	Lanxess Corporation	23/08/2012	2751239	12756862.4	

---

2751623	Breitling AG	13/06/2012	2751623	12735626.9	French
2752082	Watlow Electric Manufacturing Company	30/08/2012	2752082	12773421.8	
2752127	Samsung Electronics Co., Ltd.	03/01/2014	2752127	14150096.7	
2752952	Yazaki Corporation	28/08/2012	2752952	12828667.1	
2753008	YAMAHA CORPORATION	18/12/2013	2753008	13197907.2	
2753273	Qool Therapeutics, Inc.	05/09/2012	2753273	12829249.7	
2753343	Probiotical S.p.A.	10/09/2012	2753343	12780277.5	
2753596	Expander Energy Inc.	08/09/2011	2753596	11872153.9	
2754081	McAfee, LLC	06/09/2012	2754081	12830186.8	
2754582	The Nippon Signal Co., Ltd.	25/09/2012	2754582	12836414.8	
2754773	Novo-Tech GmbH & Co. KG	19/12/2013	2754773	13198381.9	German
2755024	Shimadzu Corporation	17/08/2012	2755024	12830678.4	
2755826	Tri-Star Technologies	17/09/2012	2755826	12832320.1	
2756240	Danfoss A/S	14/09/2011	2756240	11872363.4	
2756353	FUJIFILM Corporation	11/09/2012	2756353	12831380.6	
2756928	ROBERT BOSCH GMBH	14/01/2014	2756928	14151084.2	German
2757067	SVT GmbH	16/01/2014	2757067	14151487.7	German
2757848	Deutsche Telekom AG	17/01/2013	2757848	13151566.0	
2758115	Boston Scientific Scimed, Inc.	24/09/2012	2758115	12833430.7	
2759856	LG Electronics, Inc.	20/01/2014	2759856	14000195.9	
2759892	Google LLC	22/01/2014	2759892	14152210.2	
2760110	Kocevar, Joze	23/01/2014	2760110	14000230.4	
2760398	Carl Zeiss Meditec AG	24/09/2012	2760398	12769361.2	German
2760624	Align Technology, Inc.	18/09/2012	2760624	12772412.8	
2761599	Siemens Product Lifecycle Management Software Inc.	21/09/2012	2761599	12778157.3	
2761630	Ross, Owen Venmore	26/09/2012	2761630	12837370.1	
2763263	in.power GmbH	04/02/2014	2763263	14153799.3	German
2763835	Nordson Extrusion Dies Industries, LLC	05/10/2012	2763835	12777997.3	
2764246	Sanofi-Aventis Deutschland GmbH	21/09/2012	2764246	12759778.9	
2764280	Liebherr-Components Biberach GmbH	14/09/2012	2764280	12762216.5	German
2764809	TIF GmbH	28/01/2014	2764809	14000309.6	German
2765028	Deere & Company	05/02/2014	2765028	14153979.1	
2765352	Koito Manufacturing Co., Ltd.	04/02/2014	2765352	14153863.7	
2765451	Samsung Electronics Co., Ltd.	05/02/2014	2765451	14154050.0	

---

3538	(No. 2386)	Patents Office Journal	(29/05/2019)		
2766189	Hewlett-Packard Development Company, L.P.	14/10/2011	2766189	11873972.1	
2766208	Volkswagen Aktiengesellschaft	09/10/2012	2766208	12783501.5	German
2766804	EMC Corporation	28/09/2012	2766804	12836509.5	
2766989	Samsung Electronics Co., Ltd.	10/10/2012	2766989	12840293.0	
2766994	Saint-Gobain Glass France	04/10/2012	2766994	12766994.3	German
2767751	VALEO VISION	06/02/2014	2767751	14154069.0	French
2767924	HELLA GmbH & Co. KGaA	02/05/2013	2767924	13166212.4	
2768391	Biovotion AG	19/10/2011	2768391	11773662.9	
2768514	Mercator Medsystems, Inc.	19/10/2012	2768514	12841245.9	
2768623	Oberheim, Stephen C. Robert Bosch GmbH	18/10/2012	2768623	12781002.6	
2768765	Schroeder Industries, Inc.	19/10/2012	2768765	12788352.8	
2769520	Technische Universität Dortmund	19/10/2011	2769520	11772966.5	
2769597	Watlow Electric Manufacturing Company	30/08/2012	2769597	12769784.5	
2770117	Sumitomo (S.H.I.) Construction Machinery Co., Ltd.	07/02/2014	2770117	14154296.9	
2770393	The Boeing Company	12/02/2014	2770393	14154896.6	
2770652	LG Electronics Inc.	22/10/2012	2770652	12841966.0	
2770960	Homer, Gregg	25/04/2013	2770960	13781709.4	
2771058	Sorrento Therapeutics, Inc.	16/10/2012	2771058	12842788.7	
2772580	LG Electronics Inc.	02/01/2014	2772580	14150081.9	
2772690	Delavan Inc.	03/03/2014	2772690	14157478.0	
2772741	MAN Truck & Bus AG	25/09/2013	2772741	13004641.0	German
2774066	Schlumberger Technology B.V.	02/11/2012	2774066	12845204.2	
2775317	Deutsches Zentrum für Luft- und Raumfahrt e.V.	20/02/2014	2775317	14156023.5	German
2775509	Thermo Finnigan LLC	05/03/2014	2775509	14157893.0	
2775769	ZTE Corporation	15/11/2012	2775769	12853637.2	
2776579	Instituto Carlos Slim de la Salud, A.C. The Broad Institute, Inc. The General Hospital Corporation	07/11/2012	2776579	12788400.5	
2777276	Nokia Technologies Oy	07/11/2012	2777276	12847061.4	
2777483	Tanita Corporation	28/10/2013	2777483	13005116.2	
2777814	Kawasaki Jukogyo Kabushiki Kaisha	08/11/2012	2777814	12847541.5	
2778367	PRATT & WHITNEY CANADA CORP.	11/03/2014	2778367	14158964.8	

2778376	PRATT & WHITNEY CANADA CORP.	12/03/2014	2778376	14159110.7	
2778533	PRATT & WHITNEY CANADA CORP.	11/03/2014	2778533	14158897.0	
2778999	Karl Storz Imaging, Inc.	10/03/2014	2778999	14158648.7	
2779125	Kidde Technologies, Inc.	13/03/2014	2779125	14159615.5	
2779373	Ingersoll-Rand Company	17/03/2014	2779373	14160299.5	
2779442	Analog Devices, Inc.	13/03/2014	2779442	14159434.1	
2779577	Samsung Electronics Co., Ltd.	14/03/2014	2779577	14160037.9	
2779695	Alpine Electronics, Inc.	26/02/2014	2779695	14156794.1	
2779716	Genband US LLC	13/03/2014	2779716	14159647.8	
2779845	Naturex S.A.	19/11/2012	2779845	12787032.7	
2780684	Scania CV AB	13/11/2012	2780684	12849029.9	
2780763	Lens Correction Technologies	13/11/2012	2780763	12795537.5	French
2780853	Life Technologies Corporation	28/09/2012	2780853	12798036.5	
2781677	Allegion (UK) Limited	29/07/2010	2781677	14172627.3	
2782161	Hitachi Automotive Systems, Ltd.	18/11/2011	2782161	11875695.6	
2782194	Phoenix Contact GmbH & Co. KG	11/03/2014	2782194	14158778.2	German
2783374	Intel Corporation	11/06/2013	2783374	13829494.7	
2783986	Hamilton Sundstrand Corporation	20/03/2014	2783986	14160961.0	
2784525	Hamilton Sundstrand Corporation	28/03/2014	2784525	14162283.7	
2784833	Nichia Corporation	27/03/2014	2784833	14162103.7	
2784916	Deere & Company	19/02/2014	2784916	14155750.4	
2785153	Triple Cores Korea Co., Ltd.	25/03/2014	2785153	14161587.2	
2785178	Bikam Pharmaceuticals, Inc.	29/11/2012	2785178	12852566.4	
2785270	Koninklijke Philips N.V.	28/11/2012	2785270	12818816.6	
2785492	Ecole Centrale De Nantes Centre National de la Recherche Scientifique (C.N.R.S.)	03/12/2012	2785492	12795803.1	French
2785495	Tyrolit - Schleifmittelwerke Swarovski K.G.	28/11/2012	2785495	12816639.4	German
2785644	PQ Corporation	30/11/2012	2785644	12801688.8	
2785712	The Johns Hopkins University	30/11/2012	2785712	12853926.9	
2786464	Mach, Elieser Rofe, Arik Greenwald, Oola Raveh, Guy Powermat Technologies Ltd.	29/11/2012	2786464	12821136.4	

3540	(No. 2386)	Patents Office Journal	(29/05/2019)		
2786571	Qualcomm Incorporated	30/11/2012	2786571	12801686.2	
2787312	Panasonic Corporation	19/11/2012	2787312	12853646.3	
2787898	O3 Optix LLC	10/12/2012	2787898	12855977.0	
2788128	Ecolab USA Inc.	04/12/2012	2788128	12855345.0	
2788199	ThyssenKrupp Carbon Components GmbH	03/12/2012	2788199	12797860.9	German
2788596	Volkswagen Aktiengesellschaft	07/12/2012	2788596	12799157.8	German
2789876	GKN Driveline Köping AB	26/07/2011	2789876	14168506.5	German
2790088	Senseg Oy	17/09/2008	2790088	14169239.2	
2790272	Auto-Kabel Management GmbH	01/03/2007	2790272	14176369.8	German
2790354	Lee, Chung Jong	28/11/2012	2790354	12854909.4	
2790742	AL-KO Therm GmbH	14/02/2014	2790742	14705041.3	German
2790939	Airbus Operations GmbH	07/12/2012	2790939	12801533.6	
2791551	PIAGGIO & C. S.p.A.	12/12/2012	2791551	12815830.0	
2791994	Robert Bosch GmbH Samsung SDI Co., Ltd.	15/11/2012	2791994	12794219.1	German
2792040	Sagemcom Broadband SAS	03/12/2012	2792040	12794722.4	French
2793501	NEC Corporation	10/12/2012	2793501	12857690.7	
2793612	Bunge Loders Croklaan B.V.	21/12/2012	2793612	12810306.6	
2793861	Bayer Pharma Aktiengesellschaft	18/12/2012	2793861	12801761.3	German
2794343	Valeo Systèmes de Contrôle Moteur	10/12/2012	2794343	12816703.8	French
2794932	HYL Technologies, S.A. de C.V. Danieli & C. Officine Meccaniche SpA	21/12/2012	2794932	12848748.5	
2795222	Valeo Systèmes de Contrôle Moteur	18/12/2012	2795222	12809788.8	French
2795328	Abbott Point of Care Inc.	21/12/2012	2795328	12818743.2	
2795601	Siemens Aktiengesellschaft	14/03/2013	2795601	13712180.2	German
2797319	NEC Corporation	16/11/2012	2797319	12860913.8	
2797699	Compagnie Générale des Etablissements Michelin The Texas A&M University System	28/12/2012	2797699	12861574.7	
2798035	Nfluids Inc.	01/10/2012	2798035	12867972.7	
2798294	SMS group GmbH	03/12/2012	2798294	12810129.2	German
2798390	Raytheon Company	07/09/2012	2798390	12775868.8	
2798433	Intel Corporation	10/12/2012	2798433	12861421.1	
2798573	Datalogic IP TECH S.r.l.	29/12/2011	2798573	11819122.0	
2798807	Orange	14/12/2012	2798807	12840837.4	
2799141	BRAND GMBH + CO KG	06/12/2007	2799141	14002517.2	German
2799498	Fujifilm Corporation	17/12/2012	2799498	12862816.1	

---

2799503	Fujifilm Speciality Ink Systems Limited FUJIFILM Corporation	29/01/2008	2799503	14170672.1	
2800859	Finalrod IP, LLC	09/08/2012	2800859	12822742.8	
2801234	Alcatel Lucent	20/12/2012	2801234	12829213.3	
2801731	Mitsubishi Steel MFG. CO., LTD.	24/01/2013	2801731	13743416.3	
2802943	Richemont International SA	11/01/2013	2802943	13703132.4	French
2803121	Neolase GmbH	19/12/2012	2803121	12815639.5	German
2803148	X Development LLC	07/01/2013	2803148	13735953.5	
2803491	Brother Kogyo Kabushiki Kaisha	22/12/2011	2803491	14180956.6	
2803671	Mitsubishi Chemical Corporation	10/01/2013	2803671	13736249.7	
2803746	Nippon Steel & Sumitomo Metal Corporation	11/01/2013	2803746	13736290.1	
2804626	Kreutz, Fernando Thome	18/01/2013	2804626	13738941.7	
2804644	Tarsus Products AB	09/01/2013	2804644	13736304.0	
2805920	Tessengerlo Group NV	22/05/2014	2805920	14169444.8	
2806123	Yanmar Co., Ltd.	11/01/2013	2806123	13738698.3	
2806622	Samsung Electronics Co., Ltd.	23/05/2014	2806622	14169670.8	
2808777	Samsung Electronics Co., Ltd.	29/05/2014	2808777	14170483.3	
2810259	CWS-boco International GmbH	03/02/2012	2810259	12707024.1	German
2811234	Soler & Palau Research, S.L.	31/03/2014	2811234	14162894.1	
2811453	Korea Advanced Institute Of Science And Technology	24/01/2013	2811453	13740808.4	
2811983	W.R. Grace & CO. - CONN.	16/09/2013	2811983	13837684.3	
2812837	Bundesdruckerei GmbH	18/01/2013	2812837	13701946.9	German
2813816	Hyundai Mnsoft, Inc.	22/10/2013	2813816	13189710.0	
2813974	Nidec Sankyo Corporation	15/01/2013	2813974	13746948.2	
2814317	Veloce BioPharma LLC	15/11/2012	2814317	12868550.0	
2814410	The University of Toledo	19/02/2013	2814410	13749229.4	
2814432	Allen, John J. Boston Scientific Scimed, Inc.	13/02/2013	2814432	13749644.4	
2814553	Interrad Medical, Inc.	15/02/2013	2814553	13748481.2	
2814702	Renault S.A.S.	11/02/2013	2814702	13704406.1	French
2814866	Ricoh Company, Ltd.	25/01/2013	2814866	13749202.1	
2815124	Subsea-Energy Oy	16/01/2013	2815124	13738139.8	
2815284	Jaguar Land Rover Limited	06/09/2012	2815284	12766928.1	
2815415	HAGER-ELECTRO SAS	15/02/2013	2815415	13710463.4	French
2815556	Sony Mobile Communications Inc.	13/02/2012	2815556	12707376.5	

---

3542	(No. 2386)	Patents Office Journal	(29/05/2019)		
2816236	Mitsubishi Heavy Industries Compressor Corporation	08/02/2013	2816236	13749725.1	
2816754	Samsung Electronics Co., Ltd.	12/03/2012	2816754	14171550.8	
2817040	Liebel-Flarsheim Company LLC	19/02/2013	2817040	13710131.7	
2817243	Crown Packaging Technology, Inc.	25/02/2013	2817243	13705999.4	
2817493	Napier Turbochargers Limited	30/01/2013	2817493	13703866.7	
2818518	Kao Corporation	07/02/2013	2818518	13751881.7	
2818588	Allergosystem S.r.l.	30/06/2014	2818588	14175082.8	
2818632	Gyrodatta, Incorporated	24/06/2014	2818632	14173737.9	
2819048	Extreme Networks, Inc.	27/06/2014	2819048	14174827.7	
2819091	FUJITSU LIMITED	30/05/2014	2819091	14170582.2	
2819128	TDK Corporation	20/02/2013	2819128	13751491.5	
2819558	Nestec S.A.	28/02/2013	2819558	13707161.9	
2820157	Winthrop-University Hospital	04/03/2013	2820157	13754517.4	
2820879	Airbus DS SAS	01/03/2013	2820879	13707614.7	
2821114	Allmann, Andreas	06/06/2014	2821114	14171541.7	German
2822179	Azbil Corporation	01/07/2014	2822179	14175120.6	
2822511	LFC Spolka z o.o. Ciupik, Lechoslaw Franciszek	05/03/2013	2822511	13718919.7	
2823170	Hamilton Sundstrand Corporation	12/02/2013	2823170	13758632.7	
2823486	Medtronic Inc.	01/03/2013	2823486	13708636.9	
2823501	The Board of Trustees of the Leland Stanford Junior University	12/02/2013	2823501	13757604.7	
2823961	LINTEC Corporation	05/03/2013	2823961	13757049.5	
2824792	Sumitomo Electric Industries, Ltd. Sumitomo Wiring Systems, Ltd. AutoNetworks Technologies, Ltd. Toyota Jidosha Kabushiki Kaisha	29/12/2012	2824792	12865433.2	
2825037	Regeneron Pharmaceuticals, Inc.	15/03/2013	2825037	13714127.1	
2825214	BOSTIK SA	12/03/2012	2825214	12713301.5	
2825227	Becton, Dickinson and Company	15/03/2012	2825227	12871394.8	
2825751	United Technologies Corporation	11/03/2013	2825751	13796822.8	
2825982	Capish International AB	15/03/2013	2825982	13714565.2	
2826381	Suntory Holdings Limited	12/03/2013	2826381	13761552.2	
2826762	KYOCERA Corporation	28/02/2013	2826762	13761765.0	
2826901	Otto Weber Band-GmbH	03/07/2014	2826901	14175625.4	German
2827404	LG Chem, Ltd.	24/12/2012	2827404	12882311.9	
2828222	Saint-Gobain Ceramics & Plastics Inc.	22/03/2013	2828222	13764719.4	



---

2828751	Tier 3, Inc.	13/03/2013	2828751	13765129.5	
2829088	HFI Innovation Inc.	24/03/2014	2829088	14767755.3	
2829237	Covidien LP	23/07/2014	2829237	14178107.0	
2829336	Aichi Machine Industry Co., Ltd.	25/07/2014	2829336	14178629.3	
2830020	MegaChips Corporation	12/03/2013	2830020	13781887.8	
2830363	ZTE Corporation	18/05/2012	2830363	12872042.2	
2831395	United Technologies Corporation	26/03/2013	2831395	13812614.9	
2831566	Innovative Science Tools, Inc.	26/03/2013	2831566	13768596.2	
2832037	Orange	27/03/2013	2832037	13715381.3	French
2832473	Rolls-Royce plc	24/07/2014	2832473	14178255.7	
2833043	GEMÜ Gebr. Müller Apparatebau GmbH & Co. Kommanditgesellschaft	04/08/2014	2833043	14179693.8	German
2833395	FUJI Corporation	27/03/2012	2833395	12872525.6	
2833523	Japan Aviation Electronics Industry, Ltd.	25/03/2013	2833523	13767867.8	
2834207	Chryso S.A.S.	05/04/2013	2834207	13714310.3	French
2834498	United Technologies Corporation	25/03/2013	2834498	13772338.3	
2834505	United Technologies Corporation	27/03/2013	2834505	13877780.0	
2834741	Idemia Identity & Security France	19/03/2013	2834741	13713124.9	French
2835989	Samsung Electronics Co., Ltd.	15/10/2013	2835989	13188744.0	
2836612	Alma Mater Studiorum -Università di Bologna	15/02/2012	2836612	12706932.6	
2837056	BYD Company Limited	22/05/2013	2837056	13794537.4	
2837679	IGP s.r.l.	14/08/2014	2837679	14002847.3	
2837795	Ansaldo Energia IP UK Limited	14/08/2013	2837795	13180467.6	
2837944	LG Chem, Ltd.	15/03/2013	2837944	13784242.3	
2839261	Halliburton Energy Services, Inc.	30/05/2013	2839261	13730699.9	
2839791	Ethicon LLC	22/08/2014	2839791	14181941.7	
2839860	MedImmune Limited	11/10/2013	2839860	14191079.4	
2839972	The Goodyear Tire & Rubber Company	18/08/2014	2839972	14181216.4	
2840135	Hangzhou Bioking Biochemical Engineering Co., Ltd.	11/03/2014	2840135	14158884.8	
2840737	Huawei Technologies Co., Ltd.	02/05/2012	2840737	12760221.7	
2846728	JTI Biomed Corp.	03/05/2013	2846728	13787776.7	
2846730	Ethicon LLC	13/05/2013	2846730	13732281.4	
2847049	Arfesan Arkan Fren Elemanlari Sanayi Ve Ticaret A.S.	10/05/2013	2847049	13740080.0	
2847284	Ethox Chemicals, LLC	06/05/2013	2847284	13788498.7	

---

3544	(No. 2386)	Patents Office Journal	(29/05/2019)		
2847528	Carrier Corporation	07/03/2013	2847528	13711788.3	
2847672	Google LLC	21/01/2014	2847672	14743575.4	
2848280	Nordson Corporation	11/09/2014	2848280	14184396.1	
2849634	Gauss Surgical, Inc.	14/05/2013	2849634	13790688.9	
2850101	UCB Biopharma SPRL	13/05/2013	2850101	13725298.7	
2850372	Carrier Corporation	12/03/2013	2850372	13712629.8	
2850741	Khandani, Amir	13/05/2013	2850741	13790948.7	
2852150	BlackBerry Limited	18/09/2014	2852150	14185464.6	
2853001	BYD Company Limited	22/05/2013	2853001	13793885.8	
2853043	Hughes Network Systems, LLC	23/05/2013	2853043	13793496.4	
2853269	Advaxis, Inc.	19/05/2009	2853269	14190388.0	
2853280	Asahi Intecc Co., Ltd.	24/06/2014	2853280	14173720.5	
2853289	Oticon Medical A/S	26/09/2013	2853289	13186153.6	
2853581	LG Display Co., Ltd.	22/09/2014	2853581	14185684.9	
	Yamagata University				
2853653	Braun, August	22/05/2014	2853653	14169426.5	German
2853667	Sugatsune Kogyo Co. Ltd.	13/05/2013	2853667	13793386.7	
2854515	Nestec S.A.	17/05/2013	2854515	13725035.3	
2854761	Ceva Santé Animale	01/06/2013	2854761	13726226.7	French
2855217	Eaton Corporation	14/03/2013	2855217	13711821.2	
2855530	LifeArc	24/05/2013	2855530	13730049.7	
2855789	puren GmbH	20/02/2013	2855789	13709062.7	German
2855975	Volkswagen Aktiengesellschaft	17/05/2013	2855975	13722775.7	German
2856188	Commissariat à l'Énergie Atomique et aux Énergies Alternatives	24/05/2013	2856188	13725355.5	French
2856768	Meta System S.p.A.	27/05/2013	2856768	13737397.3	
2857205	Canon Kabushiki Kaisha	01/10/2014	2857205	14003401.8	
2857445	National Institute of Advanced Industrial Science and Technology	24/05/2013	2857445	13793105.1	
2857493	Peters, Jean-Marc	25/09/2014	2857493	14186392.8	German
2857808	Omron Corporation	28/02/2013	2857808	13796669.3	
	Tokyo Institute of Technology				
2857926	LG Display Co., Ltd.	01/10/2014	2857926	14187357.0	
2858627	Council of Scientific & Industrial Research	07/06/2013	2858627	13739817.8	
2859846	Nihon Kohden Corporation	30/09/2014	2859846	14187000.6	
2860263	SYSMEX CORPORATION	07/10/2014	2860263	14187908.0	
2860919	Nicira Inc.	10/09/2014	2860919	14184270.8	

2860937	FUJITSU LIMITED	08/09/2014	2860937	14183903.5	
2861166	Singh, Jai Singh, Jiwan Steven	23/09/2013	2861166	13839679.1	
2861187	Waldemar Link GmbH & Co. KG	06/06/2013	2861187	13727872.7	German
2861413	Novartis AG	10/06/2013	2861413	13731005.8	
2861746	Jupeng Bio (HK) Limited	14/05/2013	2861746	13727701.8	
2862046	Google LLC	16/05/2013	2862046	13805189.1	
2862065	Microsoft Technology Licensing, LLC	05/06/2013	2862065	13732679.9	
2862725	Globeride, Inc.	14/08/2014	2862725	14180953.3	
2863179	Aisin Aw Co., Ltd.	15/03/2013	2863179	13825799.3	
2863380	EverDisplay Optronics (Shanghai) Limited	04/09/2014	2863380	14183495.2	
2864768	FBS Inc. Siemens Energy, Inc.	21/06/2013	2864768	13734255.6	
2865041	BYD Company Limited	28/08/2013	2865041	13833457.8	
2865584	Kögel Trailer GmbH & Co. KG	29/05/2009	2865584	14197221.6	German
2866404	ZTE Corporation	09/07/2013	2866404	13790022.1	
2866534	Kyocera Corporation	21/06/2013	2866534	13807421.6	
2866897	The Procter & Gamble Company	27/06/2013	2866897	13737070.6	
2866913	3M Innovative Properties Company	26/06/2013	2866913	13809401.6	
2867018	Northeastern University	01/07/2013	2867018	13810095.3	
2867490	Ansaldo Energia Switzerland AG	24/06/2013	2867490	13730889.6	
2867518	Robert Bosch GmbH	16/05/2013	2867518	13724791.2	German
2867550	Outotec (Finland) Oy	28/06/2013	2867550	13745198.5	
2867960	Laselec	26/06/2013	2867960	13744634.0	French
2868821	Véolia Eau - Compagnie Générale des Eaux	29/10/2014	2868821	14190908.5	French
2869004	LG Electronics Inc.	03/11/2014	2869004	14191509.0	
2870415	Chopra, Amrish	14/09/2012	2870415	12775847.2	
2870781	Med-El Elektromedizinische Geräte GmbH	28/02/2013	2870781	13816800.0	
2870923	C.R. BARD, INC.	06/11/2014	2870923	14192144.5	
2871452	Rebellion Photonics, Inc.	12/11/2014	2871452	14192862.2	
2871569	Xiaomi Inc.	05/07/2013	2871569	13855130.4	
2872962	Google LLC	09/07/2013	2872962	13816618.6	
2873300	Merck Patent GmbH	14/06/2013	2873300	13729606.7	
2873507	egeplast international GmbH	29/10/2014	2873507	14190907.7	German
2873825	Kubota Corporation	16/09/2014	2873825	14184865.5	

3546	(No. 2386)	Patents Office Journal	(29/05/2019)		
2874006	Kyocera Document Solutions Inc.	13/11/2014	2874006	14003832.4	
2874599	Xeris Pharmaceuticals, Inc.	27/06/2013	2874599	13736714.0	
2875033	The University of Connecticut Helth Center	23/07/2013	2875033	13823696.3	
2875677	Gemalto M2M GmbH	07/03/2013	2875677	13707680.8	
2875701	Signify Holding B.V.	12/07/2013	2875701	13766699.6	
2875828	Diater, Laboratorio de Diagnóstico y Aplicaciones Terapéuticas, S.A.	19/07/2013	2875828	13766388.6	
2875859	RGenau Industries KG	20/11/2014	2875859	14194030.4	German
2876246	BAUER Maschinen GmbH	21/11/2013	2876246	13193903.5	German
2876260	General Electric Company	25/11/2014	2876260	14194627.7	
2876542	FUJITSU LIMITED	30/10/2014	2876542	14191062.0	
2876710	Huawei Technologies Co., Ltd.	25/02/2014	2876710	14806158.3	
2876883	Velos Media International Limited	01/11/2011	2876883	14200316.9	
2877022	Dow AgroSciences LLC	19/07/2013	2877022	13823554.4	
2877353	Saint Jean Industries	25/07/2013	2877353	13758908.1	French
2877486	Manus Pharmaceuticals (Canada) Ltd.	24/07/2013	2877486	13823250.9	
2877620	E. I. du Pont de Nemours and Company	25/07/2013	2877620	13747913.5	
2877727	United Technologies Corporation	19/07/2013	2877727	13823805.0	
2878003	Raytheon Company	29/11/2012	2878003	12805842.7	
2878082	Nokia Solutions and Networks Oy	27/07/2012	2878082	12881725.1	
2878245	Sunbeam Products, Inc.	11/09/2014	2878245	14003144.4	
2878644	Asahi Kasei Kabushiki Kaisha Japan Elastomer Co., Ltd.	18/07/2013	2878644	13823840.7	
2878750	ROTO FRANK AG	28/11/2013	2878750	13194787.1	German
2880567	Tencent Technology Shenzhen Company Limited	21/05/2013	2880567	13826131.8	
2880747	Moteurs Leroy-Somer	26/07/2013	2880747	13773395.2	French
2880768	Telefonaktiebolaget LM Ericsson (publ)	26/07/2013	2880768	13779350.1	
2880972	Karhia innovations Oy	03/11/2014	2880972	14191447.3	
2880997	Megmilk Snow Brand Co. Ltd.	31/07/2012	2880997	12882174.1	
2881106	Laboratorios Rubio S.A.	31/07/2013	2881106	13777105.1	
2881129	Ulrich GmbH & Co. KG	23/10/2014	2881129	14189985.6	German
2881229	Festool GmbH	14/11/2014	2881229	14003848.0	German
2881684	Daikin Industries, Ltd.	23/07/2013	2881684	13824934.7	
2882217	Sun Patent Trust	05/07/2013	2882217	13824923.0	
2882512	F.HOFFMANN-LA ROCHE AG	07/08/2013	2882512	13750666.3	

2882550	Council of Scientific & Industrial Research	12/08/2013	2882550	13774516.2	
2882694	Qualical International Srl	07/08/2012	2882694	12775319.2	
2883018	Carl Zeiss Industrielle Messtechnik GmbH	07/08/2013	2883018	13747382.3	German
2883100	ADC Communications (Australia) Pty. Limited ADC Telecommunications (Shanghai) Distribution Co., Ltd.	02/08/2013	2883100	13765517.1	
2883132	Amazon Technologies, Inc.	06/08/2013	2883132	13827419.6	
2883392	LG Electronics Inc.	08/08/2013	2883392	13827067.3	
2883542	Taiho Pharmaceutical Co., Ltd. The University of Tokushima	09/08/2013	2883542	13827386.7	
2883793	Airbus Operations GmbH	04/12/2014	2883793	14196239.9	
2884125	PFEIFFER VACUUM GMBH	30/09/2014	2884125	14187050.1	German
2884187	PAS Deutschland GmbH	09/12/2014	2884187	14196990.7	German
2884457	Seiko Epson Corporation	10/12/2014	2884457	14197189.5	
2884962	Smartek International LLC	16/08/2013	2884962	13829914.4	
2885018	Epflex Feinwerktechnik GmbH	09/01/2013	2885018	13700102.0	German
2885174	Jaguar Land Rover Limited	15/08/2013	2885174	13750063.3	
2885184	Jaguar Land Rover Limited	14/08/2013	2885184	13748332.7	
2885186	Jaguar Land Rover Limited	15/08/2013	2885186	13748355.8	
2885412	Kumar, Sandeep Gupta, Manju Alabed, Diaa Dow AgroSciences LLC	08/08/2013	2885412	13752757.8	
2885820	ArianeGroup GmbH	16/08/2013	2885820	13762754.3	
2886030	LG Electronics Inc.	18/12/2014	2886030	14198814.7	
2886499	ORONA, S. COOP.	16/12/2014	2886499	14382521.4	
2886993	SWEP International AB	20/12/2013	2886993	13198757.0	
2887172	Herrmann, Albert Thomas	12/12/2014	2887172	14197751.2	German
2887841	Pongrac, Ivan Pongrac, John	23/08/2013	2887841	13830614.7	
2888944	Plastics Industry Development Center	26/12/2014	2888944	14200357.3	
2889157	The Goodyear Tire & Rubber Company	12/12/2014	2889157	14197656.3	
2889199	ALSTOM Transport Technologies	01/12/2014	2889199	14195581.5	French
2889433	Doosan Infracore Co., Ltd.	16/12/2014	2889433	14198327.0	
2889924	Nichia Corporation	23/12/2014	2889924	14199926.8	

3548	(No. 2386)	Patents Office Journal	(29/05/2019)		
2890277	So Spark Ltd.	18/08/2013	2890277	13833415.6	
2890394	GlaxoSmithKline Biologicals SA	29/08/2013	2890394	13753327.9	
2890712	F.HOFFMANN-LA ROCHE AG	26/08/2013	2890712	13756076.9	
2890778	Lanzatech New Zealand Limited	28/08/2013	2890778	13833516.1	
2890787	Synthetic Genomics, Inc.	30/08/2013	2890787	13833688.8	
2891571	Hino Motors, Ltd.	12/06/2013	2891571	13832067.6	
2891590	ALSTOM Transport Technologies	11/12/2014	2891590	14197347.9	French
2892322	Lely Patent N.V.	08/08/2013	2892322	13756724.4	
2892459	Medtronic Xomed, Inc.	06/09/2013	2892459	13763414.3	
2892523	Massachusetts Eye & Ear Infirmary	06/09/2013	2892523	13834856.0	
2892754	Blue Solutions	10/09/2013	2892754	13759743.1	French
2893145	Ansaldo Energia IP UK Limited	19/08/2013	2893145	13750342.1	
2893319	Johann Wolfgang Goethe-Universität	03/09/2013	2893319	13753895.5	German
2893590	Field Upgrading USA, Inc.	06/09/2013	2893590	13834937.8	
2894023	Funai Electric Co., Ltd.	08/01/2015	2894023	15150497.4	
2894709	Alcatel Lucent	10/01/2014	2894709	14305032.6	
2895182	SLH Optimal Health LLC	11/09/2013	2895182	13836880.8	
2895826	RENAULT s.a.s.	26/06/2013	2895826	13745447.6	French
2896476	M. Technique Co., Ltd.	12/09/2013	2896476	13837294.1	
2897213	Airbus Defence and Space GmbH	14/01/2015	2897213	15000068.5	German
2897838	Thermo King Corporation	24/09/2013	2897838	13838541.4	
2897855	Priest, Richard Fu, Warren Casablanças, Julian	18/03/2013	2897855	13838377.3	
2897940	Boehringer Ingelheim International GmbH	23/09/2013	2897940	13766299.5	
2898267	Webasto SE	09/09/2013	2898267	13762094.4	German
2898275	Ceritherm Direxa Engineering LLC SEIPIA	03/09/2013	2898275	13767034.5	French
2898310	Ovizio Imaging Systems NV/SA	20/09/2013	2898310	13770649.5	
2898684	Qualcomm Incorporated	23/09/2013	2898684	13774005.6	
2898927	Zedel	14/01/2015	2898927	15151152.4	French
2899364	Weatherford Technology Holdings, LLC Weatherford U.K. Limited	22/01/2015	2899364	15152208.3	
2899392	Guido, Hans-Jürgen	21/01/2015	2899392	15152041.8	German
2899952	LG Electronics Inc.	12/11/2014	2899952	14192792.1	

---

2900072	Mars, Incorporated	25/09/2013	2900072	13774021.3	
2900326	Mevion Medical Systems, Inc.	27/09/2013	2900326	13783422.2	
2900528	Robert Bosch GmbH	21/08/2013	2900528	13756818.4	German
2900959	United Technologies Corporation	05/03/2013	2900959	13842614.3	
2901229	Emerson Process Management Regulator Technologies, Inc.	27/09/2013	2901229	13774339.9	
2901903	Vorwerk & Co. Interholding GmbH	26/01/2015	2901903	15152418.8	German
2902521	Suzuki-Sumiden Stainless Steel Wire Co., Ltd. Nippon Steel & Sumikin Stainless Steel Corporation	26/09/2013	2902521	13841641.7	
2902807	FUJIFILM Corporation	10/09/2013	2902807	13842340.5	
2902969	FUJIFILM Corporation	20/09/2013	2902969	13841846.2	
2903308	ZTE Corporation	17/09/2013	2903308	13851032.6	
2903598	Oxford PharmaScience Limited	01/10/2013	2903598	13771206.3	
2903746	Graco Minnesota Inc.	30/09/2013	2903746	13843658.9	
2904112	Sequenom, Inc.	03/10/2013	2904112	13779675.1	
2904217	United Technologies Corporation	01/03/2013	2904217	13844513.5	
2904425	Commissariat à l'Énergie Atomique et aux Énergies Alternatives	08/10/2013	2904425	13774411.6	French
2905042	Medikit Co., Ltd.	05/10/2012	2905042	12886088.9	
2905163	NTN Corporation	30/09/2013	2905163	13843201.8	
2905630	Rolls-Royce plc	16/12/2014	2905630	14198243.9	
2905804	Nikon Corporation	02/10/2013	2905804	13843307.3	
2906025	Ernst-Abbe-Hochschule Jena Technische Universität Ilmenau	06/02/2015	2906025	15154071.3	German
2906259	Keller, Ruprecht	18/09/2013	2906259	13844598.6	
2906795	King Abdullah University of Science and Technology	11/10/2013	2906795	13861507.5	
2906852	BOGE Elastmetall GmbH Audi AG	01/07/2013	2906852	13733287.0	German
2906871	ZKW Group GmbH	13/09/2013	2906871	13791726.6	German
2907455	Ethicon Endo-Surgery, Inc.	11/02/2015	2907455	15154722.1	
2907758	Airbus Defence and Space GmbH	14/02/2014	2907758	14000538.0	
2907856	The Yokohama Rubber Co., Ltd.	10/10/2013	2907856	13845486.3	
2907992	TOYOTA JIDOSHA KABUSHIKI KAISHA	09/10/2012	2907992	12886293.5	
2908408	Mitsubishi Electric Corporation	02/09/2013	2908408	13846624.8	

---

3550	(No. 2386)	Patents Office Journal	(29/05/2019)		
2909315	Wayne State University	18/10/2013	2909315	13847056.2	
2909786	Citrix Systems Inc.	08/10/2013	2909786	13780457.1	
2910504	Bottero S.p.A.	11/02/2015	2910504	15154747.8	
2910657	NTN Corporation	16/10/2013	2910657	13846585.1	
2911333	ZTE (USA) Inc.	16/08/2011	2911333	15155277.5	
2912074	Teoxane	24/10/2013	2912074	13820892.1	
2912135	Sasol Performance Chemicals GmbH	29/10/2013	2912135	13850026.9	
2912166	Scripps Health	29/10/2013	2912166	13851668.7	
2912171	ROAL Oy	15/10/2013	2912171	13849914.0	
2912791	Samsung Electronics Co., Ltd.	04/03/2011	2912791	11750950.5	
2912824	Samsung Electronics Co., Ltd.	25/10/2013	2912824	13848954.7	
2914192	Pythagoras Medical Ltd.	03/11/2013	2914192	13850508.6	
2915279	Nederlandse Organisatie voor toegepast- natuurwetenschappelijk onderzoek TNO	29/10/2013	2915279	13792772.9	
2915681	Bridgestone Corporation	31/10/2013	2915681	13851636.4	
2916079	Kawneer Aluminium Deutschland Inc.	05/03/2015	2916079	15157708.7	German
2916330	TODA KOGYO CORP.	29/10/2013	2916330	13850317.2	
2916466	THOMSON Licensing	04/03/2015	2916466	15305332.7	
2916668	G.D Societa' per Azioni	08/11/2013	2916668	13818414.8	
2917116	Tissue Machinery Company S.p.A.	08/11/2013	2917116	13801819.7	
2917583	Thermo King Corporation	01/10/2013	2917583	13843672.0	
2917675	Wieland-Werke AG	06/11/2013	2917675	13792853.7	
2918354	Viega Technology GmbH & Co. KG	04/03/2015	2918354	15157566.9	German
2918702	Aixtron SE	11/03/2015	2918702	15158596.5	German
2918824	SIEMENS GAMESA RENEWABLE ENERGY INNOVATION & TECHNOLOGY, S.L.	09/03/2015	2918824	15000676.5	
2918932	Daikin Industries, Ltd.	15/05/2013	2918932	13838999.4	
2920465	KPR U.S., LLC	09/09/2013	2920465	13762712.1	
2920929	Microsoft Technology Licensing, LLC	26/12/2013	2920929	13826823.0	
2921063	Hauni Maschinenbau GmbH	10/03/2015	2921063	15158488.5	German
2921199	KCI Licensing, Inc.	10/03/2011	2921199	15163545.5	
2921272	Liu, Kai	11/02/2014	2921272	14818843.6	
2921358	IMS Gear SE & Co. KGaA	21/03/2014	2921358	14161069.1	German
2921617	Siemens Mobility GmbH	04/03/2015	2921617	15157494.4	German
2921819	a.tron3d GmbH	19/03/2015	2921819	15450013.6	German
2922184	IMS Gear SE & Co. KGaA	21/03/2014	2922184	14161067.5	German



2922454	Dyson Technology Limited	13/11/2013	2922454	13792954.3	
2923356	Oracle International Corporation	09/10/2013	2923356	13777463.4	
2923404	Fujifilm Manufacturing Europe BV	18/11/2013	2923404	13792973.3	
2923650	Ethicon LLC	26/03/2015	2923650	15161146.4	
2923682	Steiner, Martin	24/03/2015	2923682	15160645.6	German
2923851	Nippon Soda Co., Ltd.	19/11/2013	2923851	13856824.1	
2924258	General Electric Company	16/03/2015	2924258	15159209.4	
2924340	Goodrich Lighting Systems GmbH	28/03/2014	2924340	14162218.3	
2924684	YAMAHA CORPORATION	24/03/2015	2924684	15160495.6	
2924837	Schneider Electric Industries SAS	24/03/2015	2924837	15160614.2	French
2925112	FUJI Corporation	21/11/2012	2925112	12888848.4	
2925777	Centre for Bioseparation Technology-VIT	27/11/2013	2925777	13857951.1	
2925965	Tuna, Ján Vavrus, Vladimír	20/11/2013	2925965	13818532.7	
2925970	United Technologies Corporation	31/10/2013	2925970	13858825.6	
2926041	Aerojet Rocketdyne of DE, Inc.	14/03/2013	2926041	13858048.5	
2926650	Globeride, Inc.	27/03/2015	2926650	15161322.1	
2927116	Goodrich Corporation	25/03/2015	2927116	15160906.2	
2927400	ROTO FRANK AG	27/03/2015	2927400	15161269.4	German
2927804	Samsung Electronics Co., Ltd.	09/03/2015	2927804	15158316.8	
2927889	Siemens Mobility GmbH	10/03/2015	2927889	15158356.4	German
2928112	STMicroelectronics S.r.l.	24/03/2015	2928112	15160492.3	
2928155	Samsung Electronics Co., Ltd.	21/03/2007	2928155	15166406.7	
2928643	Flex-Elektrowerkzeuge GmbH	04/12/2013	2928643	13802334.6	German
2929525	Motion Icon (Proprietary) Limited	30/09/2013	2929525	13817976.7	
2930849	Analog Devices Global Unlimited Company	16/03/2015	2930849	15159281.3	
2931111	Imricor Medical Systems, Inc.	11/12/2013	2931111	13862105.7	
2931843	Total SA	10/12/2013	2931843	13802965.7	French
2931847	Chevron Lummus Global, LLC Applied Research Associates, Inc.	04/12/2013	2931847	13861979.6	
2932133	ITT Manufacturing Enterprises LLC	05/12/2013	2932133	13811086.1	
2932260	Abbott Point Of Care Inc	06/12/2013	2932260	13815274.9	
2933454	IBIDEN CO., LTD.	14/12/2006	2933454	15171369.0	
2933757	Sony Corporation	28/11/2013	2933757	13863384.7	
2934108	Dynamic Solutions Worldwide, LLC	30/08/2013	2934108	13864617.9	
2934362	avateramedical GmbH	12/12/2013	2934362	13828772.7	German

3552	(No. 2386)	Patents Office Journal	(29/05/2019)		
2934372	Koninklijke Philips N.V.	17/12/2013	2934372	13830103.1	
2934636	Merck Sharp & Dohme Corp.	17/12/2013	2934636	13865827.3	
2935569	Celverum Inc.	20/12/2013	2935569	13865170.8	
2935790	Rolls-Royce PLC	19/12/2013	2935790	13812035.7	
2935918	SKF Aerospace France Liebherr-Aerospace Toulouse SAS	18/12/2013	2935918	13818724.0	
2936291	Volkswagen Aktiengesellschaft Audi AG	16/12/2013	2936291	13817908.0	
2936736	ABB Schweiz AG	19/12/2012	2936736	12809806.8	
2936853	Samsung Electronics Co., Ltd.	18/12/2013	2936853	13865158.3	
2936916	Qualcomm Incorporated	09/12/2013	2936916	13812368.2	
2937593	Steinel Normalien AG	31/03/2015	2937593	15161828.7	German
2938009	InterDigital Technology Corporation	14/05/2002	2938009	15156322.8	
2938375	Hospira, Inc.	20/12/2013	2938375	13868102.8	
2938639	E. I. du Pont de Nemours and Company	20/12/2013	2938639	13821334.3	
2938747	Boehringer Ingelheim Vetmedica GmbH	20/12/2013	2938747	13817835.5	
2940125	OSAKA UNIVERSITY	26/12/2013	2940125	13868965.8	
2940459	Tsinghua University Nuctech Company Limited	31/10/2013	2940459	13869644.8	
2940766	NISSAN MOTOR CO., LTD. Nhk Spring Co., Ltd.	08/11/2013	2940766	13869338.7	
2941286	Animas Corporation	18/12/2013	2941286	13818132.6	
2943020	LG Electronics Inc.	03/01/2014	2943020	14735251.2	
2943216	Apeiron Biologics AG	13/01/2014	2943216	14700370.1	
2943577	DSM IP Assets B.V.	09/01/2014	2943577	14700260.4	
2944025	Analog Devices Global Unlimited Company	10/01/2014	2944025	14702075.4	
2944205	Fontem Holdings 1 B.V.	15/05/2014	2944205	14168436.5	
2944885	Panasonic Intellectual Property Management Co., Ltd.	13/05/2015	2944885	15167504.8	
2945146	GWS Technology Co., Ltd.	08/01/2014	2945146	14738176.8	
2945302	FUJITSU LIMITED	25/03/2015	2945302	15160766.0	
2945355	Comcast Cable Communications, LLC	24/10/2011	2945355	15176141.8	
2945506	DeeLuxe Sportartikel Handels GmbH	10/12/2013	2945506	13807963.7	German
2945548	W. L. Gore & Associates, Inc.	17/01/2014	2945548	14704946.4	
2947665	MITSUBISHI HEAVY INDUSTRIES, LTD.	25/03/2015	2947665	15160697.7	

2947897	KYOCERA Corporation	28/06/2013	2947897	13864576.7	
2947976	Vertiv Integrated Systems GmbH	13/05/2015	2947976	15167472.8	
2947978	CNH Industrial Belgium nv	28/01/2014	2947978	14702512.6	
2948122	Becton Dickinson France	28/01/2014	2948122	14701546.5	
2948307	Hewlett-Packard Development Company, L.P.	25/01/2013	2948307	13702950.0	
2948458	Merck Sharp & Dohme Corp.	22/01/2014	2948458	14743619.0	
2948991	Relyon Plasma GmbH Epcos AG	08/01/2014	2948991	14704656.9	German
2949329	Ochanomizu University Saitama Medical University	28/01/2014	2949329	14743161.3	
2949333	Xu, Kevin Peng	29/05/2013	2949333	13872562.7	
2949692	LG Chem, Ltd.	13/03/2014	2949692	14765283.8	
2950016	AFRISO-Euro-Index GmbH	30/05/2014	2950016	14170533.5	German
2950046	Prüftechnik Dieter Busch AG	20/05/2015	2950046	15168411.5	German
2950842	MEDTRONIC, INC.	01/02/2014	2950842	14746793.0	
2950867	Koninklijke Philips N.V.	09/01/2014	2950867	14701233.0	
2950919	Fresenius Medical Care Deutschland GmbH	28/01/2014	2950919	14703258.5	German
2951609	Siemens Aktiengesellschaft	06/03/2014	2951609	14711705.5	German
2952036	Telefonaktiebolaget LM Ericsson (publ)	29/01/2013	2952036	13705274.2	
2952379	Kang, Miyeon	28/01/2014	2952379	14746699.9	
2952464	KONE Corporation	03/06/2014	2952464	14170894.1	
2953002	Intel Corporation	04/11/2011	2953002	15173934.9	
2953332	Qualcomm Incorporated	04/09/2007	2953332	15177961.8	
2953621	Polichem S.A.	23/01/2014	2953621	14701713.1	
2953967	Massachusetts Institute of Technology	07/02/2014	2953967	14749330.8	
2954022	Dow Silicones Corporation	10/02/2014	2954022	14706749.0	
2954093	Scanwel Limited	10/02/2014	2954093	14704645.2	
2954224	Valeo Embrayages	11/02/2013	2954224	13711557.2	French
2954396	Dizmo AG	04/02/2014	2954396	14731346.4	
2954584	Johnson Matthey Fuel Cells Limited	29/01/2014	2954584	14702909.4	
2955383	Chou, Wen-san	07/02/2013	2955383	13874732.4	
2955528	Holley Technology Ltd.	02/12/2013	2955528	13866598.9	
2955631	Nokia Solutions and Networks Oy	09/06/2014	2955631	14171639.9	
2956563	ArcelorMittal	18/02/2014	2956563	14705338.3	French
2956673	Atlas Copco Airpower, Naamloze Vennootschap	11/02/2014	2956673	14707929.7	

3554	(No. 2386)	Patents Office Journal	(29/05/2019)		
2956674	Edwards Limited	15/02/2013	2956674	13705549.7	
2957054	NEC Corporation	12/02/2014	2957054	14751391.5	
2957072	HCS Kablolama Sistemleri Sanayi ve Ticaret A.S.	30/01/2014	2957072	14710385.7	
2957296	XOMA (US) LLC	25/09/2010	2957296	15174585.8	
2957766	Siemens Energy, Inc.	16/06/2015	2957766	15172277.4	
2958160	Samsung SDI Co., Ltd.	22/05/2015	2958160	15168818.1	
2958245	Commissariat à l'Énergie Atomique et aux Énergies Alternatives	16/06/2015	2958245	15172235.2	French
2958286	Cavium, Inc.	19/06/2015	2958286	15172917.5	
2958288	Cavium, Inc.	19/06/2015	2958288	15172942.3	
2958479	Dyson Technology Limited	17/02/2014	2958479	14705411.8	
2958515	Babiner, Boris, D.S.	18/02/2014	2958515	14754144.5	
2959482	Fraunhofer-Gesellschaft zur Förderung der angewandten Forschung e.V.	20/02/2014	2959482	14706529.6	
2959762	Amazonen-Werke H. Dreyer GmbH & Co. KG	01/06/2015	2959762	15401053.2	German
2959994	Sumitomo Electric Hardmetal Corp.	29/01/2014	2959994	14754770.7	
2960124	Lucas Automotive GmbH	10/05/2011	2960124	15002159.0	German
2960664	SYCOMP Electronic GmbH	24/06/2014	2960664	14173727.0	German
2960712	EIZO Corporation	29/08/2013	2960712	13875891.7	
2960719	GRAPHTEC CORP.	17/06/2015	2960719	15172548.8	
2960859	Tata Consultancy Services Limited	23/09/2014	2960859	14186028.8	
2960894	LG Display Co., Ltd.	28/11/2014	2960894	14195405.7	
2960964	COMMISSARIAT À L'ÉNERGIE ATOMIQUE ET AUX ÉNERGIES ALTERNATIVES	24/06/2015	2960964	15173674.1	French
2961090	Mitsubishi Electric Corporation	18/11/2013	2961090	13875934.5	
2961214	Sony Corporation	21/11/2013	2961214	13875913.9	
2961435	ImmunoGen, Inc.	28/02/2014	2961435	14710746.0	
2961611	Hewlett-Packard Development Company, L.P.	29/07/2013	2961611	13876732.2	
2961925	Xact Downhole Telemetry, Inc.	28/02/2014	2961925	14756385.2	
2961947	Eaton Corporation	03/03/2014	2961947	14756458.7	
2962175	Tobii AB	03/03/2014	2962175	14716455.2	
2962521	Intel IP Corporation	12/12/2013	2962521	13876384.2	
2963192	JC Bamford Excavators Ltd	01/07/2015	2963192	15174738.3	
2963299	Knut, Denecke	22/06/2015	2963299	15001841.4	German

2963393	Canon Kabushiki Kaisha	25/06/2015	2963393	15001887.7	
2963767	LG Chem, Ltd.	03/09/2014	2963767	14842250.4	
2963838	Siemens Aktiengesellschaft	06/03/2013	2963838	13876649.8	
2964161	LimFlow GmbH	28/02/2014	2964161	14760474.8	
2964305	Scientia Vascular, LLC	07/03/2014	2964305	14760849.1	
2964397	NETZSCH-Feinmahltechnik GmbH	01/03/2014	2964397	14714925.6	German
2964808	United Technologies Corporation	30/12/2013	2964808	13877283.5	
2964897	United Technologies Corporation	05/03/2014	2964897	14760482.1	
2964954	Robert Bosch GmbH	30/01/2014	2964954	14702011.9	German
2965301	Qualcomm Incorporated	26/02/2014	2965301	14711063.9	
2965435	Qualcomm Incorporated	05/03/2014	2965435	14711423.5	
2966326	GEMÜ Gebr. Müller Apparatebau GmbH & Co. Kommanditgesellschaft	08/07/2015	2966326	15175916.4	German
2966729	KMW Inc.	06/03/2014	2966729	14760423.5	
2966737	Japan Science and Technology Agency	25/02/2014	2966737	14760954.9	
2967159	NIKE Innovate C.V.	14/03/2014	2967159	14769690.0	
2967165	NIKE Innovate C.V.	07/03/2014	2967165	14774625.9	
2968266	Shifa Biomedical Corporation	11/03/2014	2968266	14770138.7	
2968294	Oncoceutics, Inc.	13/03/2014	2968294	14775569.8	
2968738	CareFusion 303, Inc.	10/03/2014	2968738	14769024.2	
2968777	Sanofi-Aventis Deutschland GmbH	10/03/2014	2968777	14708564.1	
2968856	CLPH, LLC	16/03/2014	2968856	14769281.8	
2968869	Medtronic Xomed, Inc.	14/03/2014	2968869	14718268.7	
2968881	Incube Labs, LLC	12/03/2014	2968881	14774821.4	
2969321	United Technologies Corporation	11/03/2014	2969321	14778329.4	
2969371	Donadon Safety Discs and Devices S.R.L.	12/03/2013	2969371	13723569.3	
2969400	Siemens Aktiengesellschaft Siemens Product Lifecycle Management Software Inc.	07/03/2014	2969400	14715480.1	
2969465	Stratasys Ltd.	13/03/2014	2969465	14721987.7	
2969609	Jaguar Land Rover Limited	14/01/2014	2969609	14700475.8	
2969763	United Technologies Corporation	13/03/2014	2969763	14769280.0	
2969849	Creative Edge Design Group, Ltd.	14/03/2014	2969849	14762646.9	
2970379	EMD Millipore Corporation	07/03/2014	2970379	14722399.4	
2970977	Pioneer Hi-Bred International, Inc.	07/03/2014	2970977	14774677.0	
2971660	United Technologies Corporation	12/03/2014	2971660	14807640.9	
2971663	United Technologies Corporation	12/03/2014	2971663	14778668.5	

3556	(No. 2386)	Patents Office Journal	(29/05/2019)		
2971795	Eaton Corporation	14/03/2014	2971795	14720401.0	
2972395	Epinex Diagnostics, Inc.	11/03/2014	2972395	14779179.2	
2972665	AB Initio Technology LLC	11/02/2014	2972665	14768696.8	
2972965	Rovi Guides, Inc.	05/03/2014	2972965	14712922.5	
2973094	Fresenius Medical Care Holdings, Inc.	07/03/2014	2973094	14713341.7	
2973167	Intel Corporation	27/02/2014	2973167	14779610.6	
2973186	Intel Corporation	26/02/2014	2973186	14773147.5	
2973475	Hill-Rom Services, Inc.	12/03/2014	2973475	14778216.3	
2973488	Aclima Inc.	10/03/2014	2973488	14779524.9	
2973583	Silicon Storage Technology Inc.	14/03/2014	2973583	14720404.4	
2973617	Varian Semiconductor Equipment Associates, Inc.	12/03/2014	2973617	14772977.6	
2973869	United Technologies Corporation	10/03/2014	2973869	14769073.9	
2973976	Technology Research, LLC	14/03/2014	2973976	14770361.5	
2974106	Samsung Electronics Co., Ltd.	13/03/2014	2974106	14763395.2	
2974302	SiOnyx, LLC Haddad, Homayoon Feng, Chen Forbes, Leonard	12/03/2014	2974302	14768046.6	
2974713	Kao Corporation	11/03/2014	2974713	14764366.2	
2975149	Nippon Steel & Sumitomo Metal Corporation	10/03/2014	2975149	14764532.9	
2975733	General Electric Technology GmbH	14/07/2014	2975733	14176847.3	
2976151	Siemens Healthcare Diagnostics Inc.	18/03/2014	2976151	14770970.3	
2976657	KONGSBERG SEATEX AS	18/03/2014	2976657	14768770.1	
2977011	Samsung Electronics Co., Ltd.	22/07/2015	2977011	15177877.6	
2977074	Coloplast A/S	23/07/2014	2977074	14178201.1	
2978555	TOYOTA JIDOSHA KABUSHIKI KAISHA	28/03/2014	2978555	14717184.7	
2979090	Nestec S.A.	13/03/2014	2979090	14710852.6	
2979336	Ecole Polytechnique	27/03/2014	2979336	14715245.8	French
2979760	Cosmo Oil Co., Ltd.	03/03/2014	2979760	14775155.6	
2979901	Continental Reifen Deutschland GmbH	27/05/2015	2979901	15169292.8	German
2979905	Continental Reifen Deutschland GmbH	28/05/2015	2979905	15169542.6	German
2979934	Toyoda Gosei Co., Ltd.	09/07/2015	2979934	15176070.9	
2980094	Konica Minolta, Inc.	20/03/2014	2980094	14776548.1	
2980234	Doosan Infracore Co., Ltd.	30/07/2015	2980234	15179135.7	
2980258	Hitachi Metals, Ltd.	25/03/2014	2980258	14774897.4	

2980267	Oerlikon Surface Solutions AG, Trübbach	24/07/2015	2980267	15178336.2	
2980307	Kuraray Co., Ltd.	06/03/2014	2980307	14774183.9	
2980698	China Unionpay Co., Ltd	17/03/2014	2980698	14773762.1	
2980701	Pivotal Software Inc.	29/07/2015	2980701	15178852.8	
2980755	Omron Corporation	25/02/2014	2980755	14775567.2	
2980769	Mitsubishi Electric Corporation	29/07/2015	2980769	15178843.7	
2980878	Konica Minolta, Inc.	28/03/2014	2980878	14775671.2	
2981233	Salts Healthcare Limited	14/03/2014	2981233	14711597.6	
2981480	Koninklijke Douwe Egberts B.V.	03/04/2014	2981480	14717502.0	
2981483	Koninklijke Douwe Egberts B.V.	03/04/2014	2981483	14717506.1	
2983167	THALES	07/08/2015	2983167	15180270.9	French
2983172	Sony Corporation	17/02/2014	2983172	14778117.3	
2985167	CNH Industrial Italia S.p.A.	12/08/2015	2985167	15180805.2	
2985946	Siemens Aktiengesellschaft	26/03/2013	2985946	13880191.5	
2986024	Samsung Electronics Co., Ltd.	13/02/2015	2986024	15155077.9	
2986453	Brook One Corporation	22/07/2013	2986453	13745747.9	
2986728	Angany Inc.	15/04/2014	2986728	14722279.8	French
2986864	Flender GmbH VEM Sachsenwerk GmbH	09/05/2014	2986864	14724397.6	German
2987164	Next IT Corporation	18/03/2014	2987164	14785575.3	
2987492	Xi'an Libang Pharmaceutical Technology Co., Ltd.	18/04/2013	2987492	13882519.5	
2988414	Daikin Industries, Ltd.	13/03/2014	2988414	14785759.3	
2988727	Pharmathen S.A.	17/04/2014	2988727	14722990.0	
2989318	Robert Bosch GmbH	26/02/2014	2989318	14706620.3	German
2989783	Hewlett-Packard Development Company, L.P.	30/10/2013	2989783	13791946.0	
2990137	LG Chem, Ltd.	03/06/2014	2990137	14807300.0	
2990195	Profol Kunststoffe GmbH	26/08/2014	2990195	14182258.5	German
2990544	Eaton Corporation	05/03/2012	2990544	15186440.2	
2990646	Nabtesco ITG GmbH	01/09/2014	2990646	14183097.6	German
2991598	Tang, John Ing Ching	10/01/2014	2991598	14791527.6	
2991712	Bayer Healthcare LLC	01/05/2014	2991712	14792097.9	
2992923	Abbott Cardiovascular Systems, Inc.	02/09/2015	2992923	15183531.1	
2993670	Nexans	08/09/2014	2993670	14306378.2	
2993772	Astronics Advanced Electronic Systems Corp.	04/09/2015	2993772	15183899.2	

3558	(No. 2386)	Patents Office Journal	(29/05/2019 )		
2993920	Huawei Technologies Co., Ltd.	23/05/2013	2993920	13885296.7	
2994379	Becker Marine Systems GmbH	31/03/2014	2994379	14717112.8	German
2994533	Fundació Privada Institut d'Investigació Oncològica de Vall Hebron	07/05/2014	2994533	14722204.6	
2995753	BKS GmbH	09/09/2014	2995753	14184118.9	German
2996374	LG Electronics Inc.	09/05/2014	2996374	14795517.3	
2996557	Institut de Recherche sur les Cancers de l'Appareil Digestif IRCAD Institut Hospitalo-Universitaire de Chirurgie Mini -Invasive Guidee Par l'Image	11/03/2014	2996557	14730578.3	
2997276	GKN Driveline North America, Inc.	14/05/2014	2997276	14798601.2	
2997773	Samsung Electronics Co., Ltd.	16/05/2014	2997773	14797755.7	
2998177	KNORR-BREMSE Systeme für Nutzfahrzeuge GmbH	19/09/2014	2998177	14185637.7	
2998226	The Boeing Company	03/09/2015	2998226	15183703.6	
2998348	Jackon GmbH	14/09/2015	2998348	15002666.4	German
2998535	Toyota Jidosha Kabushiki Kaisha	16/05/2013	2998535	13884660.5	
2998570	Siemens Aktiengesellschaft	22/09/2014	2998570	14185847.2	
2998992	ROHM CO., LTD.	27/06/2012	2998992	15191514.7	
2999269	ZTE Corporation	14/05/2014	2999269	14798114.6	
2999946	Honeywell Limited	12/05/2014	2999946	14801658.7	
3000012	Samsung Electronics Co., Ltd.	25/02/2014	3000012	14800471.6	
3000154	Corning Optical Communications RF LLC	13/05/2014	3000154	14729814.5	
3000674	Continental Automotive Systems, Inc.	25/09/2015	3000674	15186840.3	
3000701	Büchel GmbH & Co. Fahrzeugteilefabrik KG	22/09/2015	3000701	15186292.7	German
3001385	Agfa Healthcare	29/09/2014	3001385	14186795.2	
3001492	Kyocera Corporation	23/05/2014	3001492	14800526.7	
3001519	DENSO CORPORATION Tanaka Kikinzoku Kogyo K.K.	21/05/2014	3001519	14801406.1	
3001614	Intel Corporation	20/08/2015	3001614	15181766.5	
3002266	Skyworks Solutions, Inc.	30/09/2015	3002266	15187687.7	
3002269	NGK Insulators, Ltd.	02/10/2015	3002269	15188203.2	
3002306	ARKEMA FRANCE	21/10/2013	3002306	15194316.4	French
3002490	Hose Master, LLC	30/09/2015	3002490	15275207.7	
3003078	Clover Mystique Co. Limited	21/05/2014	3003078	14804585.9	



3003461	Fractyl Laboratories, Inc.	04/06/2014	3003461	14807116.0	
3003748	Valeo Systemes Thermiques	28/05/2014	3003748	14726645.6	French
3004125	The Queen's University Of Belfast	27/05/2014	3004125	14726753.8	
3004350	Institut Jean Paoli & Irène Calmettes Institut National de la Santé et de la Recherche Médicale (INSERM) Université de Bordeaux Université d'Aix-Marseille Centre National de la Recherche Scientifique (C.N.R.S.)	05/06/2014	3004350	14728944.1	
3004694	FCA US LLC	28/05/2014	3004694	14734323.0	
3004770	Forbes Marshall Pvt. Ltd.	03/06/2014	3004770	14810532.3	
3004931	Unfors RaySafe AB	30/05/2014	3004931	14808131.8	
3005666	Otter Products, LLC	06/06/2014	3005666	14736170.3	
3005747	Qualcomm Incorporated	31/05/2014	3005747	14733035.1	
3006279	Valeo Systèmes d'Essuyage	22/09/2015	3006279	15186193.7	French
3006585	Nippon Steel & Sumitomo Metal Corporation	21/05/2014	3006585	14803329.3	
3006836	Daikin Industries, Ltd.	03/06/2014	3006836	14808369.4	
3007021	Fisher-Rosemount Systems, Inc.	20/01/2010	3007021	15193370.2	
3007053	NEC CORPORATION	13/05/2014	3007053	14803601.5	
3007357	Murata Manufacturing Co., Ltd.	21/05/2014	3007357	14804827.5	
3007830	3M Innovative Properties Company	03/06/2014	3007830	14747303.7	
3007944	Valeo Systèmes d'Essuyage	13/06/2014	3007944	14736653.8	French
3008080	The Royal Institution for the Advancement of Learning / McGill University	21/05/2014	3008080	14810382.3	
3008140	SICPA HOLDING SA	27/05/2014	3008140	14726972.4	
3008308	Dayco IP Holdings, LLC	13/06/2014	3008308	14810175.1	
3009019	Fontem Holdings 1 B.V.	17/10/2014	3009019	14189416.2	
3009082	Ethicon Endo-Surgery, Inc.	15/10/2015	3009082	15189898.8	
3009138	Kodimule, Shyam Prasad	31/08/2015	3009138	15183167.4	
3009184	Sigma-Technology Inc.	13/06/2013	3009184	13886736.1	
3009480	Nissan Chemical Corporation	05/06/2014	3009480	14811370.7	
3009606	Rolls-Royce plc	25/09/2015	3009606	15186797.5	
3009639	Rolls-Royce plc	17/09/2015	3009639	15185622.6	
3009653	TOYOTA JIDOSHA KABUSHIKI KAISHA	07/10/2015	3009653	15188691.8	

3560	(No. 2386)	Patents Office Journal	(29/05/2019)		
3009987	Alcatel Lucent	16/10/2014	3009987	14306639.7	
3010375	Certwood Ltd	07/04/2014	3010375	14718144.0	
3010484	Fremont Group Ltd	17/06/2014	3010484	14735841.0	
3011198	Continental Teves AG & Co. OHG	23/05/2014	3011198	14726154.9	German
3011222	MZ Liberec, A.S.	12/06/2014	3011222	14752775.8	
3011242	I.M.A. Industria Macchine Automatiche S.p.A.	23/05/2014	3011242	14733344.7	
3011272	Robert Bosch GmbH	11/06/2014	3011272	14730501.5	German
3012943	ABB Schweiz AG	20/10/2015	3012943	15190507.2	
3013590	Hewlett-Packard Development Company, L.P.	28/06/2013	3013590	13887816.0	
3014088	ExxonMobil Upstream Research Company	24/06/2014	3014088	14739015.7	
3014388	LG Electronics Inc.	27/08/2013	3014388	13887694.1	
3014483	Hewlett-Packard Development Company, L.P.	27/06/2013	3014483	13739627.1	
3014515	Symantec Corporation	25/06/2014	3014515	14744991.2	
3014685	Robert Bosch GmbH	18/06/2014	3014685	14734421.2	German
3014816	Weidmüller Interface GmbH & Co. KG	28/05/2014	3014816	14727466.6	German
3015213	JFE Steel Corporation	27/05/2014	3015213	14817396.6	
3015257	JTEKT CORPORATION	27/10/2015	3015257	15191642.6	
3015568	MTU Aero Engines AG	23/09/2015	3015568	15186418.8	German
3015712	MITSUBISHI HEAVY INDUSTRIES THERMAL SYSTEMS, LTD.	20/08/2014	3015712	14849841.3	
3015732	Valeo Matériaux de Friction	29/10/2015	3015732	15192040.2	French
3015739	Kawasaki Jukogyo Kabushiki Kaisha	20/06/2014	3015739	14816646.5	
3015832	Palo Alto Research Center, Incorporated	21/10/2015	3015832	15190915.7	
3016168	LG Display Co., Ltd.	28/10/2015	3016168	15191843.0	
3016348	NCR Corporation	19/10/2015	3016348	15190366.3	
3016483	Leibniz-Institut für Plasmaforschung und Technologie e.V.	28/10/2015	3016483	15191972.7	German
3016540	Dyson Technology Limited	13/06/2014	3016540	14732328.1	
3017138	Tunget, Bruce A.	07/07/2014	3017138	14819707.2	
3017347	Endress+Hauser SE+Co. KG	02/06/2014	3017347	14729264.3	German
3017794	Cook Medical Technologies LLC	04/11/2015	3017794	15193071.6	
3018288	United Technologies Corporation	04/11/2015	3018288	15192939.5	
3018352	Ebara Corporation	03/11/2015	3018352	15192701.9	

---

3018677	Rockwell Automation Technologies, Inc.	06/11/2015	3018677	15193378.5	
3019156	University College Cardiff Consultants Limited	09/07/2014	3019156	14756099.9	
3019771	Safran Transmission Systems	09/07/2014	3019771	14749921.4	French
3020188	Cisco Technology, Inc.	09/07/2014	3020188	14747207.0	
3020934	Mahle International GmbH	09/11/2015	3020934	15193729.9	German
3021064	Mitsubishi Electric Corporation	08/07/2014	3021064	14823375.2	
3021160	LG Electronics Inc.	09/11/2015	3021160	15003205.0	
3021281	Sony Corporation	12/11/2015	3021281	15194380.0	
3021443	General Electric Company	27/10/2015	3021443	15191648.3	
3021895	Bigfoot Biomedical, Inc.	17/07/2014	3021895	14826694.3	
3022001	The Gleason Works	11/07/2014	3022001	14762090.0	German
3022233	ExxonMobil Chemical Patents Inc.	07/07/2014	3022233	14826361.9	
3022461	GKN Hybrid Power Limited	18/07/2014	3022461	14742333.9	
3022875	Samsung Electronics Co., Ltd.	04/03/2014	3022875	14825663.9	
3022997	Kverneland AS	20/11/2014	3022997	14194175.7	German
3023297	GRAMMER AG	17/11/2015	3023297	15195044.1	German
3023977	CASIO COMPUTER CO., LTD.	16/09/2015	3023977	15185463.5	
3023991	Hydrogen Engineering Application& Development Company Clean Planet Inc.	18/07/2014	3023991	14825637.3	
3024190	LG Electronics Inc.	18/07/2014	3024190	14826055.7	
3024317	Jouffray Drillaud	23/07/2014	3024317	14759005.3	French
3024566	Centre National de la Recherche Scientifique (C.N.R.S.) Universite Paris-Sud	24/07/2014	3024566	14750579.6	French
3024608	Emil Müller GmbH	24/07/2014	3024608	14742235.6	German
3024692	Volkswagen Aktiengesellschaft	06/06/2014	3024692	14729296.5	German
3025416	Cummins Generator Technologies Limited	25/07/2014	3025416	14744930.0	
3025521	Fraunhofer-Gesellschaft zur Förderung der angewandten Forschung e.V.	14/07/2014	3025521	14753020.8	
3025919	WABCO GmbH	06/11/2015	3025919	15003174.8	German
3026286	KNORR-BREMSE Systeme für Nutzfahrzeuge GmbH	13/07/2015	3026286	15176441.2	German
3026739	Sumitomo Metal Mining Co., Ltd.	22/07/2014	3026739	14829275.8	
3026805	General Electric Company	30/11/2015	3026805	15196925.0	

---

3562	(No. 2386)	Patents Office Journal	(29/05/2019)		
3027128	Covidien LP	30/07/2014	3027128	14832198.7	
3028464	Xactware Solutions Inc.	04/08/2014	3028464	14832467.6	
3028724	Fenwal, Inc.	19/11/2015	3028724	15195391.6	
3028726	Becton, Dickinson and Company	28/03/2011	3028726	15200853.8	
3029014	Evonik Degussa GmbH	02/12/2015	3029014	15197539.8	German
3029044	Evonik Degussa GmbH	04/12/2014	3029044	14196178.9	German
3029332	Sulzer Management AG	12/10/2015	3029332	15189336.9	German
3029873	Samsung Electronics Co., Ltd.	03/11/2011	3029873	16151943.4	
3030067	FUJI Corporation	31/07/2013	3030067	13890685.4	
3030890	Mayo Foundation for Medical Education and Research	11/08/2014	3030890	14834533.3	
3030957	4P S.r.l.	17/07/2014	3030957	14752426.8	
3031228	Samsung Electronics Co., Ltd.	01/08/2014	3031228	14834491.4	
3031522	LG Chem, Ltd.	30/10/2014	3031522	14858174.7	
3031817	Evonik Degussa GmbH	04/12/2014	3031817	15185854.5	German
3032172	Eisenmann SE	09/12/2015	3032172	15003504.6	German
3032287	Nuctech Company Limited	11/12/2015	3032287	15199532.1	
3032978	BAE SYSTEMS plc	11/08/2014	3032978	14750627.3	
3033046	Novartis AG	20/10/2014	3033046	14860983.7	
3033597	A.T.P. S.p.A.	14/01/2015	3033597	15701844.1	
3033754	Rolls-Royce plc	15/08/2014	3033754	14761964.7	
3034389	NAVAL GROUP	17/12/2015	3034389	15200852.0	French
3034718	Compurobot Technology Company	23/11/2015	3034718	15195875.8	
3034781	BMTS Technology GmbH & Co. KG	27/11/2015	3034781	15196631.4	German
3035719	Facebook, Inc.	16/06/2015	3035719	15172338.4	
3035723	Orange	17/12/2015	3035723	15200905.6	French
3036024	National Research Council of Canada	18/08/2014	3036024	14837608.0	
3036049	Cytec Industries Inc.	30/06/2014	3036049	14742664.7	
3036105	Koenig & Bauer AG	11/06/2014	3036105	14729003.5	German
3036106	Koenig & Bauer AG	11/06/2014	3036106	14729004.3	German
3036442	Rabhi, Vianney	01/08/2014	3036442	14793199.2	French
3036452	Miba Frictec GmbH	20/08/2014	3036452	14796390.4	German
3036603	Qualcomm Incorporated	19/08/2014	3036603	14759402.2	
3036665	Deep-Secure Limited	20/08/2014	3036665	14772170.8	
3037096	University Of Southern California	28/11/2007	3037096	15190591.6	
3037278	Sumitomo Rubber Industries, Ltd.	27/08/2014	3037278	14844468.0	
3037294	TOYOTA JIDOSHA KABUSHIKI KAISHA	14/12/2015	3037294	15199827.5	

3037343	Airbus Operations Limited	21/12/2015	3037343	15201605.1	
3037380	The Coca-Cola Company	01/03/2007	3037380	15174045.3	
3037471	Borealis AG	22/12/2014	3037471	14199663.7	
3037538	Dicerna Pharmaceuticals, Inc.	01/07/2011	3037538	16155285.6	
3037611	Brose Schliesssysteme GmbH & Co. KG	22/12/2015	3037611	15202080.6	German
3037686	Hitachi Automotive Systems, Ltd.	26/05/2014	3037686	14838075.1	
3037784	Nokia Technologies OY	23/12/2014	3037784	14199992.0	
3038071	Continental Automotive GmbH	22/12/2014	3038071	14465529.7	
3038083	LG Display Co., Ltd.	24/07/2015	3038083	15178299.2	
3038129	Schneider Electric USA, Inc.	22/12/2015	3038129	15202183.8	
3038341	Keisoku Giken Co., Ltd.	20/08/2014	3038341	14837499.4	
3038521	Innovative Surface Technologies, Inc.	11/10/2014	3038521	14852138.8	
3038589	Beiersdorf AG	25/08/2014	3038589	14755089.1	German
3038643	UCB Biopharma SPRL	26/08/2014	3038643	14755668.2	
3038957	Intelligrated Headquarters LLC	28/08/2014	3038957	14839207.9	
3038988	LEDVANCE GmbH	22/08/2014	3038988	14761589.2	German
3039009	Centre For Drug Research And Development The University of British Columbia	29/08/2014	3039009	14840485.8	
3039239	Petróleo Brasileiro S.A. - Petrobras Halliburton Energy Services, Inc.	30/10/2013	3039239	13896401.0	
3039372	MAHLE Behr GmbH & Co. KG	08/08/2014	3039372	14749833.1	German
3039744	E-zn Inc.	19/08/2014	3039744	14839312.7	
3040416	Gifu University National Institute of Advanced Industrial Science and Technology	28/08/2014	3040416	14839864.7	
3040854	ZTE Corporation	16/06/2014	3040854	14840123.5	
3041204	Xiaomi Inc.	19/11/2015	3041204	15195319.7	
3041615	Beumer Group A/S	06/09/2013	3041615	13762397.1	
3041669	Optimae S.r.l.	28/08/2014	3041669	14777843.5	
3042193	W.O.M. World of Medicine GmbH	25/08/2014	3042193	14772274.8	German
3042427	LG Fuel Cell Systems Inc.	04/09/2014	3042427	14765992.4	
3042451	Raytheon Company	25/11/2014	3042451	14812096.7	
3042566	Alpro Comm. VA	11/01/2016	3042566	16150770.2	
3042625	Intuitive Surgical Operations, Inc.	18/11/1999	3042625	16157473.6	
3042806	Kolon Industries, Inc.	03/09/2014	3042806	14841717.3	
3043054	Caterpillar Motoren GmbH & Co. KG	09/01/2015	3043054	15150637.5	

3564	(No. 2386)	Patents Office Journal	(29/05/2019)		
3043391	SolAero Technologies Corp.	08/01/2016	3043391	16150567.2	
3043551	Panasonic Corporation	09/07/2014	3043551	14842457.5	
3043768	L'OREAL	13/08/2013	3043768	13753523.3	
3043901	UOP LLC	03/09/2014	3043901	14843655.3	
3044318	California Institute of Technology	12/09/2014	3044318	14843244.6	
3044550	Bourns Incorporated	11/09/2014	3044550	14844358.3	
3044992	BlackBerry Limited	09/07/2014	3044992	14843250.3	
3045118	Covidien LP	26/10/2015	3045118	15191407.4	
3045179	Li, Fuchao	10/07/2014	3045179	14838087.6	
3045413	Glory Ltd.	11/08/2014	3045413	14843751.0	
3045667	Rolls-Royce Corporation	15/12/2015	3045667	15199999.2	
3045758	AKEBONO BRAKE INDUSTRY CO., LTD.	18/01/2016	3045758	16151631.5	
3045806	VALEO VISION	29/09/2009	3045806	16156636.9	French
3046294	Cisco Technology, Inc.	14/12/2015	3046294	15199964.6	
3046383	Telefonaktiebolaget LM Ericsson (publ)	16/08/2012	3046383	16159007.0	
3046386	Cisco Technology, Inc.	06/01/2016	3046386	16150351.1	
3046802	HTS Hans Torgersen & Sønn AS	17/09/2014	3046802	14766506.1	
3046987	Baker Hughes, a GE company, LLC	19/09/2014	3046987	14786741.0	
3047144	Senvion GmbH	01/09/2014	3047144	14758299.3	German
3048115	Jones, Steven Her Majesty The Queen In Right of Canada as represented by The Minister of Health	27/01/2009	3048115	15196615.7	
3048367	Commissariat à l'Énergie Atomique et aux Énergies Alternatives	19/01/2016	3048367	16151958.2	French
3048408	Hamilton Sundstrand Space Systems International, Inc.	13/01/2016	3048408	16151145.6	
3049575	Lamor Corporation Ab	15/09/2014	3049575	14848650.9	
3049698	ElringKlinger AG	10/09/2014	3049698	14766950.1	German
3049781	I1 Sensortech, Inc.	26/09/2014	3049781	14848170.8	
3050147	Lockheed Martin Energy, LLC	22/09/2014	3050147	14845729.4	
3050229	Cisco Technology, Inc.	15/09/2014	3050229	14776964.0	
3050359	Telefonaktiebolaget LM Ericsson (publ)	26/08/2014	3050359	14787268.3	
3050624	Cosmo Oil Co., Ltd.	25/09/2014	3050624	14849796.9	
3050692	Steering Solutions IP Holding Corporation	26/01/2016	3050692	16152723.9	
3051245	Mitsubishi Electric Corporation	26/09/2013	3051245	13894592.8	

---

3051606	Hitachi Automotive Systems, Ltd.	06/08/2014	3051606	14849377.8	
3051990	BSH Hausgeräte GmbH	05/09/2014	3051990	14761344.2	German
3052044	NDental, LLC	02/10/2014	3052044	14851077.9	
3052140	Rochal Industries, LLC	10/09/2014	3052140	14850661.1	
3052277	Koninklijke Philips N.V.	29/09/2014	3052277	14777306.3	
3052534	Novartis AG	23/09/2014	3052534	14781385.1	
3052749	Schlumberger Technology B.V.	03/10/2014	3052749	14861636.0	
3052805	Saudi Arabian Oil Company	22/09/2014	3052805	14778035.7	
3053475	YKK Corporation	03/10/2013	3053475	13895054.8	
3053842	Bormioli Luigi S.p.A.	02/02/2016	3053842	16153879.8	
3054750	Toshiba Mitsubishi-Electric Industrial Systems Corporation	04/10/2013	3054750	13895077.9	
3054982	Ascendis Pharma A/S	07/10/2014	3054982	14784022.7	
3055161	Siemens Mobility GmbH	20/11/2014	3055161	14808868.5	German
3055239	Dotta, Angelo	31/07/2015	3055239	15762747.2	
3055271	Saint-Gobain Ceramics&Plastics, Inc.	07/10/2014	3055271	14852445.7	
3055498	Raise Production, Inc.	14/10/2014	3055498	14851470.6	
3055558	Izquierdo Gonzalez, Aurelio	07/10/2014	3055558	14793793.2	
3055698	Access Medical Systems, Ltd.	06/10/2014	3055698	14852101.6	
3056054	Qualcomm Incorporated	07/10/2014	3056054	14815946.0	
3056159	Olympus Corporation	26/12/2014	3056159	14860655.1	
3056162	Covidien LP	11/02/2016	3056162	16155271.6	
3056237	Avent, Inc.	25/06/2010	3056237	16154798.9	
3056392	TOYOTA JIDOSHA KABUSHIKI KAISHA	08/02/2016	3056392	16154614.8	
3056792	Airbus Operations Limited	10/02/2016	3056792	16154971.2	
3057443	Corbion Biotech, Inc.	17/10/2014	3057443	14796826.7	French
3057958	AbbVie Deutschland GmbH & Co. KG Abbvie Inc.	16/10/2014	3057958	14792415.3	
3058080	Lanzatech New Zealand Limited	16/10/2014	3058080	14853873.9	
3058239	AVL List GmbH	13/10/2014	3058239	14789207.9	German
3058759	Google LLC	17/10/2014	3058759	14796607.1	
3058849	himolla Polstermöbel GmbH	21/12/2015	3058849	15201479.1	German
3059027	NSK Ltd.	01/10/2014	3059027	14854303.6	
3059070	Nissei Asb Machine Co., Ltd.	20/08/2012	3059070	16161303.9	
3059119	Thiele GmbH & Co. KG	17/02/2016	3059119	16156145.1	German
3059337	Adaptive Biotechnologies Corporation	15/01/2010	3059337	16162568.6	
3059392	Mitsubishi Hitachi Power Systems, Ltd.	18/02/2016	3059392	16156376.2	

---

3566	(No. 2386)	<i>Patents Office Journal</i>		(29/05/2019)	
3059431	Rolls-Royce Deutschland Ltd & Co KG	18/02/2016	3059431	16156314.3	German
3060023	Interdigital Patent Holdings, Inc.	31/10/2009	3060023	16154246.9	
3060199	Oxsonics Limited	21/10/2014	3060199	14790261.3	
3060296	Medtronic, Inc.	22/10/2014	3060296	14796945.5	
3060685	F. Hoffmann-La Roche AG	22/10/2014	3060685	14856518.7	
3061175	LG Innotek Co., Ltd.	09/10/2014	3061175	14852170.1	
3061263	Racal Acoustics Limited	23/10/2014	3061263	14790271.2	
3062537	ZTE Corporation	23/05/2014	3062537	14794395.5	
3062630	Nestec S.A.	28/10/2014	3062630	14789581.7	
3064201	University-Industry Cooperation Group of Kyung Hee University	31/12/2013	3064201	13896725.2	
3064258	NXP B.V.	06/03/2015	3064258	15157964.6	
3064478	Bottero S.p.A.	03/03/2016	3064478	16158580.7	
3064483	Zeon Corporation	28/10/2014	3064483	14858176.2	
3064710	United Technologies Corporation	01/03/2016	3064710	16158099.8	
3064716	United Technologies Corporation	04/03/2016	3064716	16158692.0	
3064768	Siemens Aktiengesellschaft	04/03/2015	3064768	15157571.9	
3065378	Samsung Electronics Co., Ltd.	02/03/2016	3065378	16158252.3	
3065883	Strahm Textile Systems AG	04/11/2014	3065883	14799321.6	German
3066005	Subsea 7 Limited	05/11/2014	3066005	14809953.4	
3066192	Dow AgroSciences LLC	03/11/2014	3066192	14858498.0	
3066230	Nestec S.A.	07/11/2014	3066230	14798763.0	
3066235	EBNER Industrieofenbau GmbH	03/11/2014	3066235	14795600.7	
3066444	Kozin, Peter	03/11/2014	3066444	14824153.2	
3066686	Thales Solutions Asia Pte Ltd. CNRS Centre National de la Recherche Scientifique Nanyang Technological University	07/10/2014	3066686	14789901.7	
3067078	Megagen Implant Co., Ltd.	04/11/2014	3067078	14859569.7	
3067198	M.J. International Flooring and Interior Products Inc.	01/07/2015	3067198	15174820.9	
3067834	Intermec IP Corp.	08/09/2014	3067834	16165651.7	
3068033	Hamilton Sundstrand Corporation	14/03/2016	3068033	16160158.8	
3068333	3M Innovative Properties Company	03/11/2014	3068333	14799091.5	
3068405	Gilead Sciences, Inc.	06/11/2014	3068405	14806123.7	
3069532	Harman International Industries, Incorporated	12/11/2013	3069532	13897430.8	
3069566	Qualcomm Incorporated	28/10/2014	3069566	14799075.8	



---

3069742	Nikkiso Company Limited	10/11/2014	3069742	14860814.4	
3069791	OPTOLANE Technologies Inc.	17/03/2016	3069791	16160789.0	
3070277	Hamilton Sundstrand Corporation	21/03/2016	3070277	16161463.1	
3070536	ETA SA Manufacture Horlogère Suisse	19/03/2015	3070536	15159776.2	French
3070875	Watanabe, Hiroshi	14/03/2016	3070875	16160085.3	
3071238	Dom Terry International S.r.l.	19/11/2014	3071238	14830584.0	
3071727	United Technologies Corporation	17/11/2014	3071727	14861864.8	
3072406	Fontem Holdings 1 B.V.	04/08/2011	3072406	16151721.4	
3072702	Seiko Epson Corporation	23/03/2016	3072702	16161945.7	
3073318	Samsung Electronics Co., Ltd.	10/03/2016	3073318	16159730.7	
3074034	E & B Technologies LLC	21/11/2014	3074034	14865347.0	
3074278	Huf Hülsbeck & Fürst GmbH & Co. KG	26/11/2014	3074278	14806177.3	German
3074396	Cancer Research Technology Ltd Institute of Cancer Research: Royal Cancer Hospital (The)	25/11/2014	3074396	14806358.9	
3074534	Illumina, Inc.	26/11/2014	3074534	14830903.2	
3074569	Institut Polytechnique de Bordeaux Université de Bordeaux Centre National de la Recherche Scientifique (C.N.R.S.)	26/11/2014	3074569	14806579.0	French
3074624	Robert Bosch GmbH	25/11/2014	3074624	14802890.5	German
3074737	DETECTOR ELECTRONICS CORPORATION	26/09/2014	3074737	14783739.7	
3075099	McAfee, LLC	25/11/2013	3075099	13897971.1	
3075234	Enplas Corporation	26/11/2014	3075234	14865630.9	
3075948	Petróleo Brasileiro S.A. Petrobras	10/09/2014	3075948	14866720.7	
3076487	Trimborn, Jens	31/03/2016	3076487	16163075.1	German
3076676	LG ELECTRONICS INC.	18/11/2014	3076676	14843154.7	
3076699	Huawei Technologies Co., Ltd.	19/12/2013	3076699	13899821.6	
3076739	HTC Corporation	31/03/2016	3076739	16163211.2	
3076879	W. L. Gore & Associates, Inc.	03/12/2014	3076879	14812859.8	
3077148	Microlution, Inc.	03/12/2014	3077148	14816052.6	
3077168	Vortex Hydra S.r.l.	01/12/2014	3077168	14828296.5	
3077697	Lucas Automotive GmbH	27/11/2014	3077697	14806226.8	German
3078404	Anais France	11/04/2016	3078404	16164682.3	French
3078834	Mitsubishi Heavy Industries, Ltd.	04/12/2013	3078834	13898527.0	
3079485	Nestec S.A.	12/12/2014	3079485	14811887.0	

---

3568	(No. 2386)	Patents Office Journal	(29/05/2019)		
3080038	Dietrich, Karl-Werner	04/12/2014	3080038	14838832.5	German
3080253	VIB VZW Katholieke Universiteit Leuven K.U. Leuven R&D	12/12/2014	3080253	14830956.0	
3080379	Halliburton Energy Services, Inc.	30/01/2014	3080379	14880598.9	
3080403	GENERAL ELECTRIC COMPANY	04/12/2014	3080403	14825487.3	
3080604	Siemens Healthcare Diagnostics Inc.	10/12/2014	3080604	14870173.3	
3081120	Novadelta-Comércio e Industria de Cafés, Lda.	02/12/2014	3081120	14824565.7	
3081641	University of Tsukuba Riken	07/11/2014	3081641	14859851.9	
3082147	SIBA Fuses GmbH	24/03/2016	3082147	16000705.0	German
3082384	Applied Plasma Inc Co., Ltd.	11/12/2013	3082384	13898927.2	
3082463	Nestec S.A.	29/11/2013	3082463	13805304.6	
3082871	The University of Nottingham	18/12/2014	3082871	14821249.1	
3082906	Medtronic MiniMed, Inc.	12/12/2014	3082906	14824275.3	
3083207	Voxeljet AG	09/12/2014	3083207	14833113.5	German
3083277	Continental Reifen Deutschland GmbH	31/10/2014	3083277	14792496.3	German
3083410	bioMérieux	19/12/2014	3083410	14828261.9	French
3083718	Saudi Basic Industries Corporation SABIC Global Technologies B.V.	19/12/2014	3083718	14820856.4	
3083838	Kronos International, Inc.	11/12/2014	3083838	14828446.6	German
3084168	Volvo Truck Corporation	19/12/2013	3084168	13854175.0	
3084205	Husqvarna AB	18/11/2013	3084205	13897681.6	
3084462	Koninklijke Philips N.V.	20/12/2014	3084462	14820863.0	
3084670	Gemalto SA	18/11/2014	3084670	14803080.2	
3084736	Tyco Fire Products LP	17/12/2014	3084736	14825188.7	
3085033	Telefonaktiebolaget LM Ericsson (publ)	06/11/2014	3085033	14802197.5	
3085114	SAGEMCOM BROADBAND SAS	02/12/2014	3085114	14805635.1	French
3085235	Rondo Burgdorf AG	01/04/2016	3085235	16163564.4	German
3086649	Zimplistic Pte Ltd	24/12/2014	3086649	14853162.7	
3086931	Compagnie Générale des Etablissements Michelin	18/12/2014	3086931	14828242.9	French
3087699	Siemens Aktiengesellschaft	19/03/2015	3087699	15713305.9	German
3087901	Intuitive Surgical Operations, Inc.	20/12/2006	3087901	16162402.8	
3088145	Wenzhou Runwe Electrical Appliance Co., Ltd.	13/02/2014	3088145	14874411.3	
3088371	Biesse S.p.A.	11/02/2016	3088371	16155155.1	

---

3088541	JX Nippon Mining & Metals Corporation	11/09/2014	3088541	14873824.8	
3088561	AMP Sp. z o.o.	31/03/2016	3088561	16163235.1	
3088700	MITSUBISHI HEAVY INDUSTRIES, Ltd.	05/01/2015	3088700	15731236.4	
3089172	Fujikura Ltd.	24/12/2014	3089172	14874229.9	
3090117	Kühnl-Kinel, Jacek	30/12/2014	3090117	14833603.5	
3090408	Carestream Health, Inc.	18/11/2014	3090408	14836988.7	
3090709	Thuasne Deutschland GmbH	04/05/2016	3090709	16168365.1	German
3090848	IMA Klessmann GmbH Holzbearbeitungssysteme	21/01/2016	3090848	16000136.8	German
3091192	United Technologies Corporation	04/03/2016	3091192	16158754.8	
3091219	Magneti Marelli S.p.A.	05/05/2016	3091219	16168519.3	
3091604	LG Chem, Ltd.	06/02/2015	3091604	15749366.9	
3091735	Hangzhou Hikvision Digital Technology Co., Ltd.	13/08/2014	3091735	14876452.5	
3092341	BOMAG GmbH	11/12/2014	3092341	14824367.8	German
3092381	Faurecia Emissions Control Technologies, USA, LLC	10/01/2014	3092381	14878138.8	
3092528	Freedom Scientific, Inc.	09/01/2015	3092528	15735063.8	
3092719	Airbus DS SAS	15/12/2014	3092719	14833584.7	French
3092735	Google LLC	18/11/2014	3092735	14878293.1	
3092961	Stryker European Holdings I, LLC	16/08/2013	3092961	16170790.6	
3093379	Asahi Kasei Kabushiki Kaisha	06/01/2015	3093379	15735361.6	
3093703	Ortus Technology Co., Ltd.	04/12/2014	3093703	14877758.4	
3094321	University Of South Florida	13/01/2015	3094321	15776261.8	
3094852	Husqvarna AB	22/11/2013	3094852	13897962.0	
3095178	Siemens Aktiengesellschaft	13/03/2015	3095178	15710759.0	German
3095413	Nitto Jushi Kogyo Co., Ltd. Mitsui Chemicals, Inc.	04/02/2015	3095413	15746884.4	
3095680	TOYOTA JIDOSHA KABUSHIKI KAISHA	26/11/2014	3095680	14878872.2	
3095818	Borealis AG	22/05/2015	3095818	15168961.9	
3095895	MT Coatings, LLC	12/12/2005	3095895	16171410.0	
3096366	MediaTek Inc.	24/06/2015	3096366	15173493.6	
3096506	LG Electronics Inc.	27/10/2015	3096506	15191669.9	
3096810	Eurosets S.r.l.	16/01/2015	3096810	15708274.4	

---

3570	(No. 2386)	Patents Office Journal	(29/05/2019)		
3096876	Johnson Matthey Public Limited Company	23/01/2015	3096876	15701408.5	
3097333	Asco, L.P.	21/01/2014	3097333	14880350.5	
3098197	AIR PRODUCTS AND CHEMICALS, INC.	27/05/2015	3098197	15169417.1	
3098479	Dana Heavy Vehicle Systems Group, LLC	20/05/2016	3098479	16170529.8	
3099453	Dryfhout Properties, LLC	27/01/2015	3099453	15703207.9	
3099810	Qiagen GmbH	15/01/2015	3099810	15701120.6	
3100331	Siemens Aktiengesellschaft	18/03/2014	3100331	14714614.6	
3100422	Sony Corporation	28/03/2014	3100422	14741945.1	
3100558	Sony Corporation	30/12/2014	3100558	14828168.6	
3100935	FCA Italy S.p.A.	23/03/2016	3100935	16161885.5	
3101219	Furukawa Rock Drill Co., Ltd.	26/12/2014	3101219	14880958.5	
3101916	GN Hearing A/S	03/06/2015	3101916	15170402.0	
3102484	Memorial University of Newfoundland	06/02/2015	3102484	15746809.1	
3102844	Ford Global Technologies, LLC	29/01/2015	3102844	15701541.3	German
3102848	Mega Fortris (Malaysia) Sdn. Bhd.	05/02/2015	3102848	15745948.8	
3102882	Siemens Aktiengesellschaft	25/03/2015	3102882	15741831.0	
3103236	Sony Corporation	04/02/2014	3103236	14708937.9	
3103410	avateramedical GmbH	07/06/2016	3103410	16173221.9	German
3103993	TOYOTA JIDOSHA KABUSHIKI KAISHA	30/05/2016	3103993	16171856.4	
3104481	Korea Electric Power Corporation	30/09/2015	3104481	15187587.9	
3104538	NEC Corporation	08/01/2015	3104538	15746489.2	
3104555	Synology Incorporated	20/05/2016	3104555	16170519.9	
3104655	Huawei Technologies Co., Ltd.	12/05/2014	3104655	14891640.6	
3105098	Siemens Mobility GmbH	25/03/2015	3105098	15741835.1	German
3105199	Saudi Arabian Oil Company	29/01/2015	3105199	15706562.4	
3105365	Pac Tech - Packaging Technologies GmbH	28/01/2015	3105365	15701772.4	German
3106249	Meidensha Corporation	17/02/2015	3106249	15757944.2	
3107023	Ingenico Group	14/06/2016	3107023	16174471.9	French
3107227	Nippon Telegraph and Telephone Corporation	19/11/2014	3107227	14885881.4	
3107370	TSM GmbH	04/05/2016	3107370	16736366.2	German
3107542	Aerpio Therapeutics, Inc.	18/02/2015	3107542	15751652.7	
3108024	Honeywell International Inc.	05/02/2015	3108024	15752619.5	

3108664	Markport Limited	08/01/2015	3108664	15700107.4	
3108729	CNH Industrial Italia S.p.A.	22/06/2016	3108729	16175722.4	
3108752	Goto, Kanetaka	18/11/2014	3108752	14882328.9	
3109321	Alnylam Pharmaceuticals, Inc.	25/09/2009	3109321	16156744.1	
3109521	Kohler Co.	17/06/2016	3109521	16175148.2	
3109533	SofSera Corporation	17/02/2015	3109533	15751557.8	
3109572	LG ELECTRONICS INC.	02/06/2016	3109572	16172645.0	
3109974	GE Energy Power Conversion Technology Ltd	20/06/2016	3109974	16175185.4	
3109977	Hitachi, Ltd.	31/05/2016	3109977	16172145.1	
3111113	Audi AG	25/02/2015	3111113	15711044.6	German
3111134	Signify Holding B.V.	12/02/2015	3111134	15703992.6	
3111226	Mologic Limited	02/03/2015	3111226	15708260.3	
3111640	Sony Interactive Entertainment Europe Limited	25/02/2015	3111640	15707734.8	
3112042	TRUMPF Werkzeugmaschinen GmbH + Co. KG	30/06/2015	3112042	15174529.6	German
3112569	HM Veiligheidsbeslag B.V.	30/06/2016	3112569	16177053.2	
3112622	Anest Iwata Corporation	29/06/2016	3112622	16176833.8	
3113080	Ricoh Company, Ltd.	13/08/2014	3113080	16182169.9	
3113442	Alcatel-Lucent España	29/06/2015	3113442	15382342.2	
3113455	Comcast Cable Communications, LLC	01/07/2016	3113455	16177542.4	
3113592	Tseng, Ching-Chao	24/06/2016	3113592	16176116.8	
3113960	Berrang Entwicklungs GmbH	02/03/2015	3113960	15707362.8	German
3114039	Helen of Troy Limited	23/02/2015	3114039	15758304.8	
3114089	Danmarks Tekniske Universitet Krüger A/S	04/03/2015	3114089	15710128.8	
3114119	Centre de Lutte Contre le Cancer Francois Baclesse Institut de Cancérologie de l'Ouest René Gauducheau Université de Caen Basse-Normandie	03/03/2015	3114119	15710263.3	
3114292	Form 700 Pty Ltd	03/03/2015	3114292	15758062.2	
3114339	Scania CV AB	26/02/2015	3114339	15758607.4	
3114674	LG Electronics Inc.	11/12/2014	3114674	14884910.2	

3572	(No. 2386)	Patents Office Journal	(29/05/2019)		
3115402	Qingdao University Of Science And Technology Lv, Xiaolong Lv, Baiyuan Qingdao Gaoji Technology Co., Ltd.	05/11/2014	3115402	14884372.5	
3115437	JNC Corporation JNC Petrochemical Corporation	21/01/2015	3115437	15758956.5	
3115478	Nippon Steel & Sumitomo Metal Corporation	06/03/2015	3115478	15759266.8	
3115699	Panasonic Intellectual Property Management Co., Ltd.	24/06/2016	3115699	16176094.7	
3115728	ABB Schweiz AG	17/06/2016	3115728	16175004.7	
3116300	Koponen, Tenho	13/03/2015	3116300	15761559.2	
3116723	Kordsa Teknik Tekstil A.S	10/03/2015	3116723	15719870.6	
3116787	Mosca GmbH	11/03/2015	3116787	15710748.3	German
3117129	Dryject Inc. Acquisition Corp.	12/08/2014	3117129	14885438.3	
3117932	Mitsubishi Materials Corporation	28/11/2014	3117932	14885776.6	
3117934	Sanyo Special Steel Co., Ltd.	13/03/2015	3117934	15761951.1	
3118364	Haier Group Corporation Qingdao Haier Drum Washing Machine Co., Ltd.	10/06/2014	3118364	14885515.8	
3118396	Heinrich Strenger GmbH & Co. KG	08/07/2016	3118396	16178545.6	German
3118700	Huizhou TCL Mobile Communication Co., Ltd.	29/05/2014	3118700	14851407.8	
3118878	Omron Corporation	17/11/2014	3118878	14885534.9	
3118969	MediaTek Inc.	12/07/2016	3118969	16179119.9	
3119016	FUJITSU LIMITED	05/07/2016	3119016	16177979.8	
3119059	CyberArk Software Ltd.	22/10/2013	3119059	16186649.6	
3119191	Gea Farm Technologies Mullerup A/S GEA Farm Technologies GmbH	04/03/2015	3119191	15707400.6	
3119450	Biomet Biologics, LLC	19/03/2015	3119450	15720229.2	
3119968	KFV Karl Fliether GmbH & Co. KG	16/02/2015	3119968	15706400.7	German
3120212	Hewlett-Packard Development Company, L.P.	20/03/2014	3120212	14886153.7	
3120352	Dolby International AB	20/03/2015	3120352	15715180.4	
3120353	Dolby International AB	20/03/2015	3120353	15715181.2	
3120583	Samsung Electronics Co., Ltd.	20/03/2015	3120583	15764685.2	

3120775	Vatech Ewoo Holdings Co., Ltd. Rayence Co., Ltd.	23/03/2015	3120775	15764895.7	
3120852	Taiho Pharmaceutical Co., Ltd.	29/01/2016	3120852	16743556.9	
3121040	Aleees Eco Ark (Cayman) Co., Ltd.	20/03/2015	3121040	15765372.6	
3121344	Expo Profile	01/07/2016	3121344	16177635.6	French
3121503	GRDF	22/07/2016	3121503	16180708.6	French
3121511	Toshiba Lighting & Technology Corporation	12/07/2016	3121511	16178938.3	
3121558	J. Morita Manufacturing Corporation	11/07/2016	3121558	16178883.1	
3121608	Positive Grid LLC	28/06/2016	3121608	16176571.4	
3121867	Contemporary Amperex Technology Co., Limited	31/08/2015	3121867	15183087.4	
3122066	Harman International Industries, Incorporated	07/07/2016	3122066	16178303.0	
3122204	Axilone Plastique	27/03/2015	3122204	15713451.1	French
3122224	Alfred Kärcher SE & Co. KG	24/03/2014	3122224	14711798.0	German
3122328	Evonik Degussa GmbH	27/02/2015	3122328	15707129.1	German
3122683	Anheuser-Busch InBev S.A.	24/03/2015	3122683	15711538.7	
3122715	Organofuel Sweden AB	27/03/2015	3122715	15712386.0	
3123066	SAIPEM S.p.A.	25/03/2015	3123066	15720435.5	
3123103	Orica International Pte Ltd	23/03/2015	3123103	15767774.1	
3123167	England, Melvin Gerrard Chessman, Paul Frederick	30/03/2015	3123167	15730529.3	
3123454	Choprix LLC	05/09/2014	3123454	14886951.4	
3123581	Igus GmbH	23/03/2015	3123581	15712333.2	German
3123626	LG Electronics Inc.	13/02/2015	3123626	15769817.6	
3123680	Intel IP Corporation	25/02/2015	3123680	15770248.1	
3123759	Intel Corporation	27/03/2014	3123759	14887644.4	
3123775	Qualcomm Incorporated	16/03/2015	3123775	15717287.5	
3123977	Sunstar Suisse SA	25/03/2015	3123977	15770266.3	
3124295	Yorozu Corporation	27/03/2014	3124295	14886959.7	
3124379	Airbus Defence and Space GmbH	29/07/2015	3124379	15178886.6	German
3124502	Sumitomo Seika Chemicals Co. Ltd.	12/03/2015	3124502	15770377.8	
3124969	Konica Minolta, Inc.	23/03/2015	3124969	15770205.1	
3125096	Samsung Electronics Co., Ltd.	10/03/2016	3125096	16159711.7	
3125444	Sony Corporation	13/02/2015	3125444	15768335.0	
3125726	Recaro Aircraft Seating GmbH & Co. KG	11/03/2015	3125726	15773041.7	

3574	(No. 2386)	Patents Office Journal	(29/05/2019)		
3125804	Covidien LP	16/12/2014	3125804	14888535.3	
3126059	Platel, Frédéric	31/03/2015	3126059	15725710.6	French
3126168	PSA Automobiles SA	31/03/2014	3126168	14887723.6	
3126197	Trico Products Corporation	31/03/2015	3126197	15772912.0	
3127803	Airbus Operations GmbH	04/08/2015	3127803	15179673.7	
3128039	JX Nippon Mining & Metals Corp.	24/09/2009	3128039	16190070.9	
3128108	Huf Hülsbeck & Fürst GmbH & Co. KG	23/06/2016	3128108	16175987.3	German
3128345	Murata Manufacturing Co., Ltd.	19/03/2015	3128345	15773622.4	
3128426	NXP B.V.	22/07/2016	3128426	16180731.8	
3129285	Recaro Aircraft Seating GmbH & Co. KG	26/03/2015	3129285	15713701.9	German
3129716	Elica S.p.A.	26/03/2015	3129716	15720439.7	
3130482	Bridgestone Corporation	28/05/2015	3130482	15798797.5	
3131775	Volkswagen Aktiengesellschaft	14/01/2015	3131775	15700261.9	German
3131796	Trico Products Corporation	31/03/2015	3131796	15774100.0	
3132551	Dolby Laboratories Licensing Corporation	09/04/2015	3132551	15718706.3	
3132814	KCI Licensing, Inc.	16/08/2011	3132814	16192619.1	
3132877	Illinois Tool Works, Inc.	10/08/2016	3132877	16183582.2	
3132975	Würth International AG	17/08/2016	3132975	16184470.9	German
3133072	Biolab Sanus Farmacéutica Ltda	24/02/2015	3133072	15752140.2	
3133345	Honeywell International Inc.	02/08/2016	3133345	16182476.8	
3133737	Analog Devices, Inc.	18/08/2011	3133737	16188984.5	
3133867	NEC Corporation	05/02/2015	3133867	15779732.5	
3135406	Rolls-Royce plc	03/08/2016	3135406	16182606.0	
3135500	The Goodyear Tire & Rubber Company	23/08/2016	3135500	16185292.6	
3135517	AGC Inc.	28/07/2016	3135517	16001666.3	
3135610	Becton Dickinson Rowa Germany GmbH	25/08/2015	3135610	15182275.6	German
3135933	ReinHeart GmbH	25/08/2015	3135933	15182300.2	
3136271	Samsung Electronics Co., Ltd.	09/03/2012	3136271	16187927.5	
3137913	Phoenix Contact GmbH & Co. KG	23/03/2015	3137913	15713669.8	German
3138272	Webtext Holdings Limited	26/04/2015	3138272	15727460.6	
3138484	Biosense Webster (Israel) Ltd.	02/09/2016	3138484	16186937.5	
3138740	Valeo Systèmes d'Essuyage	26/08/2016	3138740	16185937.6	
3138746	Valeo Systèmes d'Essuyage	26/08/2016	3138746	16185925.1	
3138773	Airbus Operations GmbH	23/09/2011	3138773	16190739.9	



---

3139079	Funke Kunststoffe GmbH	03/08/2016	3139079	16182575.7	German
3139103	ROBERT BOSCH GMBH	06/07/2016	3139103	16178075.4	German
3139128	STMicroelectronics S.r.l.	21/03/2016	3139128	16161413.6	
3139155	JFE Steel Corporation	14/05/2015	3139155	15818600.7	
3139986	Ino Therapeutics LLC	11/05/2015	3139986	15725461.6	
3140605	Heckler & Koch GmbH	29/06/2016	3140605	16751165.8	German
3141354	Würth International AG	17/08/2016	3141354	16184463.4	German
3141430	Compañía Levantina de Reductores S.L.	19/11/2015	3141430	15872006.0	
3142324	Wipro Limited	29/01/2016	3142324	16153520.8	
3142401	Huawei Technologies Co. Ltd.	23/05/2014	3142401	14892760.1	
3142692	Technion Research & Development Foundation Limited	12/05/2015	3142692	15792833.4	
3142804	Ensitech IP Pty Ltd	12/05/2015	3142804	15793210.4	
3142841	Arkema France	07/05/2015	3142841	15725836.9	French
3143676	Fontem Holdings 4 B.V.	13/05/2015	3143676	15792522.3	
3144294	Daicel Corporation Yamaguchi University	01/05/2015	3144294	15792352.5	
3144566	ROBERT BOSCH GMBH	31/08/2016	3144566	16186630.6	German
3144592	SGT Co. Ltd. We, Hwan	17/12/2014	3144592	14891888.1	
3145286	ABB Schweiz AG	09/09/2016	3145286	16188013.3	
3145804	SAAB AB	22/05/2014	3145804	14892843.5	
3146243	Federal-Mogul Friedberg GmbH	18/03/2015	3146243	15710201.3	German
3146688	LG Electronics Inc.	19/05/2015	3146688	15795765.5	
3146846	Wewalka GmbH Nfg. KG	22/09/2015	3146846	15186294.3	German
3146965	Limited Liability Company "Russian Pharmaceutical Technologies"	06/06/2014	3146965	14892456.6	
3147001	Integrated Design Limited	21/09/2016	3147001	16189955.4	
3147342	Saudi Arabian Oil Company	24/07/2012	3147342	16194523.3	
3147343	Yashentech Corporation	04/11/2015	3147343	15193060.9	
3147490	CENTRE NATIONAL D'ETUDES SPATIALES	22/09/2016	3147490	16190235.8	French
3147872	Panasonic Intellectual Property Management Co., Ltd.	15/09/2016	3147872	16188920.9	
3147923	Mitsubishi Electric Corporation	23/05/2014	3147923	14892603.3	
3149422	Scheuch GmbH	27/05/2015	3149422	15729328.3	German

---

3576	(No. 2386)	Patents Office Journal	(29/05/2019)		
3149955	Fraunhofer-Gesellschaft zur Förderung der angewandten Forschung e.V.	27/03/2015	3149955	15713461.0	
3149988	Telefonaktiebolaget LM Ericsson (publ)	28/05/2014	3149988	14728897.1	
3150093	Geberit International AG	01/10/2015	3150093	15187995.4	German
3150424	MAN Truck & Bus AG	29/07/2016	3150424	16001686.1	German
3150833	NISSAN MOTOR CO., LTD.	27/05/2014	3150833	14893630.5	
3151491	ZTE Corporation	15/09/2014	3151491	14893102.5	
3151588	Yamaha Corporation	02/06/2015	3151588	15803982.6	
3151699	Haworth, Inc.	29/05/2015	3151699	15803002.3	
3151998	University of Leicester	05/06/2015	3151998	15733861.7	
3152177	Binder + Co AG	05/06/2015	3152177	15738814.1	German
3152355	Butterworth Industries, Inc.	03/06/2015	3152355	15794354.9	
3152363	Soletanche Freyssinet	06/06/2014	3152363	14790285.2	
3152426	TOYOTA JIDOSHA KABUSHIKI KAISHA	15/05/2015	3152426	15729249.1	
3152812	Institut Mines-Télécom	02/06/2015	3152812	15726156.1	French
3153496	Zhejiang Hisun Pharmaceutical Co., Ltd.	05/06/2015	3153496	15805807.3	
3153553	Shin-Etsu Chemical Co., Ltd.	23/09/2016	3153553	16002059.0	
3153687	Mitsubishi Jidosha Kogyo K.K.	04/10/2016	3153687	16192257.0	
3154409	Agency for Science, Technology and Research Kabushiki Kaisha Topcon	16/06/2015	3154409	15809094.4	
3154496	Essity Hygiene and Health Aktiebolag	10/06/2014	3154496	14894586.8	
3155172	Gencor Industries Inc.	12/01/2016	3155172	16737690.4	
3155267	Solidsvac Pty Ltd	18/06/2014	3155267	14895142.9	
3155422	Hyglos Invest GmbH	12/06/2015	3155422	15727685.8	
3155478	Verily Life Sciences LLC	12/06/2015	3155478	15807295.9	
3155496	Microsoft Technology Licensing, LLC	08/06/2015	3155496	15730930.3	
3156027	Changzhou Golden Motor Technology Co., Ltd	30/06/2015	3156027	15857322.0	
3156080	FUJIFILM Corporation	08/06/2015	3156080	15806620.9	
3156100	Cardiac Pacemakers, Inc.	30/08/2013	3156100	16194480.6	
3156207	Henkel AG & Co. KGaA	16/10/2015	3156207	15190200.4	German
3156209	Henkel AG & Co. KGaA	16/10/2015	3156209	15190203.8	German
3156323	Airbus Operations S.L.	15/10/2015	3156323	15382507.0	
3156833	Langmatz GmbH	12/10/2016	3156833	16002191.1	German
3156875	Giga-Byte Technology Co., Ltd.	26/09/2016	3156875	16190530.2	

---

3157546	Fraunhofer-Gesellschaft zur Förderung der angewandten Forschung e.V.	17/06/2015	3157546	15729478.6	
3157566	Vertex Pharmaceuticals Incorporated	17/06/2015	3157566	15750488.7	
3157823	Tetra Laval Holdings & Finance S.A.	17/06/2015	3157823	15729839.9	
3157870	Casale SA	03/06/2015	3157870	15725661.1	
3158201	Xylem Europe GmbH	15/06/2015	3158201	15732442.7	
3158229	Litens Automotive Partnership	22/06/2015	3158229	15810519.7	
3158383	BAE Systems PLC	05/02/2015	3158383	15703820.9	
3158537	Siemens Product Lifecycle Management Software Inc.	16/06/2015	3158537	15733954.0	
3158776	TDK Corporation	23/06/2014	3158776	14731671.5	
3158803	Hewlett Packard Enterprise Development LP	09/03/2015	3158803	15884208.8	
3159550	HITACHI CONSTRUCTION MACHINERY TIERRA CO., LTD.	10/06/2015	3159550	15811218.5	
3160154	Sony Corporation	05/06/2015	3160154	15809001.9	
3160357	Koninklijke Philips N.V.	16/06/2015	3160357	15733917.7	
3160700	Dow Global Technologies LLC	30/06/2015	3160700	15741688.4	
3160860	Colgate-Palmolive Company	22/07/2014	3160860	14748085.9	
3161254	Quidnet Energy Inc.	29/06/2015	3161254	15814576.3	
3161718	Nicira Inc.	30/12/2014	3161718	14896895.1	
3161803	Koninklijke Philips N.V.	25/06/2015	3161803	15731583.9	
3161832	Intel Corporation	13/05/2015	3161832	15812283.8	
3162003	Convida Wireless, LLC	30/06/2015	3162003	15738212.8	
3162052	Intel Corporation	27/05/2015	3162052	15811325.8	
3162154	Qualcomm Incorporated	24/06/2015	3162154	15741399.8	
3162323	Spinal Elements, Inc.	04/02/2005	3162323	16180368.9	
3162447	Beijing Kohler Ltd.	28/10/2016	3162447	16196223.8	
3162461	H. Ikeuchi & Co., Ltd.	05/06/2015	3162461	15811240.9	
3162465	Sintokogio, Ltd.	10/08/2015	3162465	15889239.8	
3163481	Japan Science And Technology Agency	24/06/2015	3163481	15812344.8	
3163721	ROBERT BOSCH GMBH	05/09/2016	3163721	16187262.7	German
3163763	NXP B.V.	26/10/2016	3163763	16195872.3	
3163949	Acer Incorporated	15/09/2016	3163949	16188902.7	
3164952	Mitsubishi Electric Corporation	16/06/2015	3164952	15734266.8	
3165014	Telefonaktiebolaget LM Ericsson (publ)	04/07/2014	3165014	14735582.0	
3165624	Nippon Steel & Sumitomo Metal Corporation	02/07/2015	3165624	15814427.9	

---

3578	(No. 2386)	Patents Office Journal	(29/05/2019)		
3166196	EnBW Energie Baden-Württemberg AG	04/11/2016	3166196	16197211.2	German
3166532	Kulzer GmbH	03/07/2015	3166532	15734657.8	German
3166572	The Procter & Gamble Company	10/07/2014	3166572	14897204.5	
3166625	The University of Kansas	13/07/2015	3166625	15818825.0	
3167157	Halliburton Energy Services, Inc.	04/09/2015	3167157	15840296.6	
3167533	Muratov, Vladimir, A. Satyamoorthy, Anand MediaTek Singapore Pte. Ltd.	07/07/2015	3167533	15739151.7	
3167641	Siemens Mobility GmbH	21/08/2015	3167641	15756881.7	German
3167920	Senko Medical Instrument Mfg. Co., Ltd.	20/08/2015	3167920	15833783.2	
3168144	Goodrich Corporation	10/11/2016	3168144	16198191.5	
3168571	BlackBerry Limited	19/10/2016	3168571	16194543.1	
3168582	ABB Limited	09/11/2016	3168582	16198008.1	
3168665	Fujikura Ltd.	09/03/2016	3168665	16791295.5	
3168898	Samsung SDI Co., Ltd.	15/11/2016	3168898	16198995.9	
3168917	Daikin Industries, Ltd.	07/07/2015	3168917	15819618.8	
3169091	Acer Incorporated	08/07/2016	3169091	16178715.5	
3169098	Alcatel Lucent	13/11/2015	3169098	15306805.1	
3169558	Continental Automotive GmbH	14/07/2015	3169558	15745413.3	German
3169563	Valeo Systèmes d'Essuyage	16/07/2015	3169563	15738373.8	French
3169806	Life Technologies Corporation	17/07/2015	3169806	15747666.4	
3170087	BAE SYSTEMS Information and Electronic Systems Integration Inc.	19/05/2015	3170087	15821592.1	
3170228	Siemens Aktiengesellschaft	16/07/2014	3170228	14739825.9	
3170474	Stevens, Julian Douglas	26/08/2010	3170474	16197820.0	
3170720	NSK Ltd.	15/06/2015	3170720	15845587.3	
3170749	The Boeing Company	21/11/2016	3170749	16199785.3	
3170804	Daikin Industries, Ltd.	16/06/2015	3170804	15821671.3	
3171507	NSK Ltd.	13/07/2015	3171507	15822546.6	
3171806	Koninklijke Philips N.V.	24/07/2015	3171806	15741219.8	
3171898	Buzzi, Marco	23/07/2015	3171898	15760260.8	
3172317	Janssen Vaccines & Prevention B.V.	21/07/2015	3172317	15741534.0	
3172588	Honeywell International Inc.	14/07/2015	3172588	15845852.1	
3172904	Qualcomm Incorporated	23/07/2015	3172904	15748121.9	
3173374	Technische Universität Darmstadt	24/11/2016	3173374	16200607.6	German
3173384	AGC Inc.	17/07/2015	3173384	15825545.5	

3173413	Millennium Pharmaceuticals, Inc.	14/02/2013	3173413	16205139.5	
3173552	AISIN SEIKI KABUSHIKI KAISHA	30/11/2016	3173552	16201458.3	
3173619	SIEMENS GAMESA RENEWABLE ENERGY INNOVATION & TECHNOLOGY, S.L.	23/11/2016	3173619	16002484.0	
3173722	Daikin Industries, Ltd. Daikin Europe N.V.	25/11/2015	3173722	15196286.7	
3173820	Toll Collect GmbH	30/11/2015	3173820	15197008.4	German
3174108	Emberion Oy	30/11/2015	3174108	15196932.6	
3174154	REKRIX CO., LTD.	21/07/2015	3174154	15824684.3	
3174510	JOHNSON & JOHNSON CONSUMER INC.	31/07/2014	3174510	14752706.3	
3174659	Illinois Tool Works Inc.	24/07/2015	3174659	15745731.8	
3174764	Volkswagen Aktiengesellschaft	22/07/2015	3174764	15741991.2	German
3175451	Fraunhofer-Gesellschaft zur Förderung der angewandten Forschung e.V.	24/07/2015	3175451	15741221.4	
3175583	Qualcomm Incorporated	29/07/2015	3175583	15748407.2	
3175672	Telefonaktiebolaget LM Ericsson (publ)	29/07/2014	3175672	14750816.2	
3175758	Samsung Electronics Co., Ltd.	25/03/2015	3175758	15828051.1	
3175986	Vivid Laminating Technologies Limited	28/11/2016	3175986	16200851.0	
3176214	Prime Polymer Co., Ltd. Mitsui Chemicals, Inc.	30/07/2015	3176214	15826415.0	
3176534	Frauscher Holding GmbH	30/11/2016	3176534	16201397.3	German
3176552	Hamamatsu Photonics K.K.	29/07/2015	3176552	15827109.8	
3176871	Fujikura Ltd.	04/02/2016	3176871	16746707.5	
3177079	Imagination Technologies Limited	25/11/2016	3177079	16200758.7	
3177084	Sharp Kabushiki Kaisha	29/07/2015	3177084	15827210.4	
3177133	Pioneer Hi-Bred International, Inc.	04/08/2015	3177133	15750218.8	
3177323	The United States Of America, As Represented By The Secretary, Department Of Health And Human Services	07/08/2015	3177323	15760320.0	
3177531	SZ DJI Technology Co., Ltd.	08/08/2014	3177531	14899336.3	
3177624	Pfizer Inc.	23/07/2015	3177624	15760263.2	
3177874	BSH Hausgeräte GmbH	04/08/2015	3177874	15747791.0	German
3177931	Ustav organicke chemie a biochemie AV CR, v.v.i.	04/08/2015	3177931	15767081.1	
3177982	Google LLC	06/08/2015	3177982	15754323.2	

3580	(No. 2386)	Patents Office Journal	(29/05/2019)		
3178195	Identitrade AB	31/07/2015	3178195	15830581.3	
3178355	Coway Co., Ltd.	03/07/2015	3178355	15830267.9	
3178488	CureVac AG	15/02/2013	3178488	16001897.4	
3178501	W.L. Gore & Associates, Inc.	02/03/2012	3178501	16198801.9	
3179003	tremco illbruck GmbH	09/12/2016	3179003	16203272.6	German
3179486	Fujikura Ltd.	02/07/2015	3179486	15829331.6	
3179653	Huawei Technologies Co., Ltd.	24/03/2015	3179653	15834991.0	
3179672	ZTE Corporation	20/03/2015	3179672	15829683.0	
3180210	Scania CV AB	03/08/2015	3180210	15832489.7	
3180456	Grenzebach Maschinenbau GmbH	05/08/2015	3180456	15785048.8	German
3180477	Salmenautio, Hannu	13/08/2015	3180477	15832527.4	
	Salmenautio, Timo				
	Salmenautio, Anne				
3180492	BiSN Tec Limited	14/08/2015	3180492	15753149.2	
3180506	Mcgee, Craig S.	14/08/2015	3180506	15832217.2	
	Fritcher, Sam R.				
3180656	MacDermid Graphics Solutions, LLC	15/07/2015	3180656	15832026.7	
3180845	Chaoyang Semiconductor Jiangyin Technology Co., Ltd.	13/08/2015	3180845	15831702.4	
3181179	Aspire Bariatrics, Inc.	23/08/2012	3181179	17153963.8	
3181382	Car Mate Mfg. Co., Ltd.	29/07/2015	3181382	15832635.5	
3181713	Nippon Steel & Sumitomo Metal Corporation	14/08/2015	3181713	15831535.8	
3181977	Stelia Aerospace	14/12/2016	3181977	16204145.3	French
3182865	SILENT GLISS INTERNATIONAL AG	19/08/2014	3182865	14753247.7	German
3182912	Tecres S.P.A.	30/06/2015	3182912	15751078.5	
3183472	Arntz Beteiligungs GmbH & Co. KG	19/08/2015	3183472	15771502.0	German
3183503	Stork genannt Wersborg, Ingo	18/08/2015	3183503	15759411.0	
3183639	Glu Mobile, Inc.	21/08/2015	3183639	15833671.9	
	Ahuja, Sourabh				
	Wu, Liang				
	Mok, Michael Andrew				
	Amaris, Lian A.				
3183734	Westinghouse Electric Company Llc	10/06/2015	3183734	15833762.6	
3184064	Stryker European Holdings I, LLC	23/12/2015	3184064	15003672.1	
3184293	Diepex Co., Ltd.	25/05/2015	3184293	15834607.2	
3184321	Wipro Limited	02/02/2016	3184321	16153975.4	

3184553	Chugai Seiyaku Kabushiki Kaisha	02/03/2012	3184553	17152228.7	
3184589	Shin-Etsu Chemical Co., Ltd.	19/12/2016	3184589	16205132.0	
3184973	Endress + Hauser Flowtec AG	16/11/2016	3184973	16199023.9	
3184984	Kamstrup A/S	22/12/2015	3184984	15202081.4	
3185104	Immersion Corporation	10/11/2016	3185104	16198135.2	
3185667	Vineland Research and Innovations Centre Inc.	20/08/2015	3185667	15836069.3	
3186033	Heraeus Deutschland GmbH & Co. KG	21/08/2015	3186033	15762933.8	German
3186300	Fraunhofer-Gesellschaft zur Förderung der angewandten Forschung e.V.	12/08/2015	3186300	15752998.3	German
3186518	Energy Recovery, Inc.	28/08/2015	3186518	15766960.7	
3187068	Pum-Tech Korea Co., Ltd	17/09/2015	3187068	15844469.5	
3187271	UACJ Corporation	12/06/2015	3187271	15815880.8	
3187641	Foshan Haier Drum Washing Machine Co. Ltd.	17/11/2014	3187641	14900871.6	
3187778	Stanley Electric Co., Ltd.	29/12/2015	3187778	15203016.9	
3187987	LG Display Co., Ltd.	29/12/2016	3187987	16207260.7	
3188218	Mitsubishi Electric Corporation	28/08/2014	3188218	14900386.5	
3188294	Hyundai Motor Company Kia Motors Corporation	29/06/2016	3188294	16176859.3	
3188308	Synergy Microwave Corporation	23/12/2016	3188308	16206586.6	
3188381	CommScope Technologies LLC	13/08/2008	3188381	17020025.7	
3188538	ZTE Corporation	20/01/2015	3188538	15759305.4	
3188730	Merck Sharp & Dohme Corp.	31/08/2015	3188730	15837715.0	
3188801	Henkel AG & Co. KGaA	24/06/2015	3188801	15730807.3	German
3188955	Goes, Johannes Marie Quirinus Tribotté, Pascal	31/08/2015	3188955	15785199.9	
3189030	Evonik Degussa GmbH	23/07/2015	3189030	15741993.8	German
3189959	MCPP Innovation LLC Mitsubishi Chemical Corporation	04/09/2015	3189959	15837968.5	
3190196	Kabushiki Kaisha Kobe Seiko Sho (Kobe Steel, Ltd.)	02/09/2015	3190196	15838357.0	
3190284	Mitsubishi Heavy Industries, Ltd.	06/02/2015	3190284	15849093.8	
3190415	Riken	24/07/2015	3190415	15824832.8	
3190418	metanomics GmbH Ruprecht-Karls-Universität Heidelberg	27/07/2012	3190418	17152793.0	

3582	(No. 2386)	Patents Office Journal	(29/05/2019)		
3190620	Semiconductor Manufacturing International (Shanghai) Corporation Semiconductor Manufacturing International (Beijing) Corporation	28/12/2016	3190620	16207190.6	
3190991	Robert T. Bock Consultancy LLC	09/08/2015	3190991	15834193.3	
3191325	SAF-HOLLAND GmbH	08/09/2015	3191325	15759812.9	German
3191447	Merck Sharp & Dohme Corp.	08/09/2015	3191447	15840606.6	
3191701	Siemens Mobility GmbH	18/11/2015	3191701	15795195.5	German
3191755	Subsea 7 Limited	10/09/2015	3191755	15777988.5	
3192150	CPG Technologies, LLC	10/09/2015	3192150	15772086.3	
3192349	CNH Industrial Belgium nv	13/01/2017	3192349	17151532.3	
3192466	Cook Medical Technologies LLC	11/01/2017	3192466	17151053.0	
3192490	Henkel IP & Holding GmbH	12/01/2017	3192490	17151109.0	
3192721	Mitsubishi Electric Corporation	12/09/2014	3192721	14901456.5	
3192845	THE PILOT INK CO., LTD.	04/08/2015	3192845	15833364.1	
3193197	SEI Optifrontier Co., Ltd.	09/09/2015	3193197	15839572.3	
3193318	Veoneer Sweden AB	18/01/2016	3193318	16151708.1	
3193357	Shin-Etsu Handotai Co., Ltd.	19/08/2015	3193357	15839615.0	
3193649	Strategic Sports Limited Morgan, Donald, Edward	07/09/2015	3193649	15841871.5	
3194006	Acclarent, Inc.	11/08/2015	3194006	15757367.6	
3194694	Bayerische Motoren Werke Aktiengesellschaft	10/09/2015	3194694	15762981.7	German
3194782	BITZER Kühlmaschinenbau GmbH	09/09/2015	3194782	15760194.9	German
3195063	Ricoh Company, Ltd.	31/08/2015	3195063	15842282.4	
3195226	Voyager Innovations Holdings Pte. Ltd.	14/09/2015	3195226	15842259.2	
3195360	Microsoft Technology Licensing, LLC	10/09/2015	3195360	15770998.1	
3196003	Palo Alto Research Center, Incorporated	12/01/2017	3196003	17151227.0	
3196064	Ford Global Technologies, LLC	09/01/2017	3196064	17150634.8	
3196183	Toray Fine Chemicals Co., Ltd.	07/09/2015	3196183	15841268.4	
3196456	BORGWARNER EMISSIONS SYSTEMS SPAIN, S.L.U.	19/01/2016	3196456	16382019.4	
3197111	Huawei Technologies Co., Ltd.	13/10/2014	3197111	14904040.4	
3197239	Telink Semiconductor (Shanghai) Co., LTD.	21/03/2016	3197239	16000680.5	
3197320	L & P Property Management Company	25/09/2015	3197320	15843565.1	
3197633	Technische Universität Dortmund	01/09/2015	3197633	15777863.0	German



3197963	The Chemours Company FC, LLC	08/09/2015	3197963	15763801.6	
3198290	Koninklijke Philips N.V.	16/09/2015	3198290	15774994.6	
3198500	Google LLC	10/12/2015	3198500	15819975.2	
3198901	Nokia Solutions and Networks Oy	24/09/2014	3198901	14776623.2	
3199439	Suzhou Industrial Park Tongsheng Bicycle Co., Ltd.	18/11/2014	3199439	14902575.1	
3199781	Ansaldo Energia IP UK Limited	27/01/2016	3199781	16152853.4	
3199804	Mitsubishi Heavy Industries, Ltd.	15/12/2016	3199804	16204307.9	
3199805	Mitsubishi Heavy Industries, Ltd.	15/12/2016	3199805	16204308.7	
3200477	Sintai Optical (Shenzhen) Co., Ltd. Asia Optical Co., Inc.	20/10/2016	3200477	16194803.9	
3201000	manroland sheetfed GmbH	30/09/2015	3201000	15770551.8	German
3201072	TMS Turnkey Manufacturing Solutions GmbH	05/03/2015	3201072	15709658.7	German
3201291	Sicpa Holding SA	25/09/2015	3201291	15767537.2	
3201293	Projahn, Frank	24/09/2015	3201293	15823491.4	German
3201464	Tse, Kwong Shing	02/10/2015	3201464	15782026.7	
3201680	Valeo Systemes Thermiques	02/10/2015	3201680	15788141.8	French
3201966	Johnson Controls Technology Company	15/06/2015	3201966	15738163.3	
3201970	Johnson Controls Technology Company	15/06/2015	3201970	15738167.4	
3202064	Avantix	05/10/2015	3202064	15788148.3	French
3202130	British Telecommunications public limited company	29/09/2015	3202130	15781041.7	
3202163	Apple Inc.	04/09/2015	3202163	15766335.2	
3202202	British Telecommunications public limited company	29/09/2015	3202202	15770955.1	
3202478	Ibiden Co., Ltd.	29/09/2015	3202478	15846217.6	
3202935	Yanmar Co., Ltd.	18/09/2015	3202935	15845945.3	
3202942	JFE Steel Corporation	10/09/2015	3202942	15872120.9	
3203175	Daikin Industries, Ltd.	24/09/2015	3203175	15847695.2	
3203411	Shenzhen Goodix Technology Co., Ltd.	06/03/2015	3203411	15846110.3	
3203447	Holding Assessoria I Lideratge, S.L. (HAL SL)	04/02/2016	3203447	16382047.5	
3203563	LG Chem, Ltd.	25/09/2015	3203563	15846345.5	
3204066	SHL Medical AG	15/09/2015	3204066	15770833.0	
3204134	Wacker Chemie AG	07/10/2015	3204134	15781326.2	German
3205306	St. Jude Medical, Atrial Fibrillation DivisionInc.	03/11/2011	3205306	17158528.4	

3584	(No. 2386)	Patents Office Journal	(29/05/2019)		
3205501	BROTHER KOGYO KABUSHIKI KAISHA	27/01/2017	3205501	17153590.9	
3205527	HAMANAKODENSO CO., LTD.	10/01/2017	3205527	17150749.4	
3205686	Lubrizol Advanced Materials, Inc.	03/02/2014	3205686	17164920.5	
3206150	Shenzhen Goodix Technology Co., Ltd.	09/03/2015	3206150	15849622.4	
3207144	Monsanto Technology LLC	15/10/2015	3207144	15791074.6	
3207363	ams International AG	16/10/2015	3207363	15784614.8	
3207417	Ecole Normale Supérieure Institut National de la Santé et de la Recherche Médicale Centre National de la Recherche Scientifique	15/10/2015	3207417	15781105.0	
3207435	Tyco Fire & Security GmbH	16/10/2015	3207435	15720569.1	
3207779	BCS S.p.A.	03/02/2017	3207779	17154713.6	
3207910	Hill-Rom Services, Inc.	10/03/2015	3207910	17164523.7	
3208015	Universidad de Sevilla Fundación Tecnalía Research & Innovation	19/02/2016	3208015	16382069.9	
3208018	Tungaloy Corporation	15/10/2015	3208018	15850041.3	
3208071	Leister Technologies AG	18/02/2016	3208071	16156235.0	German
3208185	Liquid Robotics, Inc.	28/06/2012	3208185	16199890.1	
3208219	Mitsubishi Heavy Industries Machinery Systems, Ltd.	24/09/2015	3208219	15860264.9	
3208245	Bottero S.p.A.	22/02/2017	3208245	17157504.6	
3208339	The Children's Medical Center Corporation President and Fellows of Harvard College	14/09/2009	3208339	16194659.5	
3209605	The Board of Trustees of the Leland Stanford Junior University The Governors of the University of Alberta	23/10/2015	3209605	15852737.4	
3209678	Butalco GmbH	22/10/2015	3209678	15784672.6	
3209944	De Mos, L. J.	23/10/2014	3209944	14798722.6	
3210041	Accurision GmbH Deimos Engenharia S.a.	22/10/2015	3210041	15825633.9	
3210226	Ellenberger & Poensgen GmbH	12/08/2015	3210226	15756858.5	German
3210381	Genetec Inc.	21/10/2015	3210381	15852616.0	

---

3210745	Sumitomo Heavy Industries, Ltd.	23/02/2017	3210745	17157523.6	
3210903	Nippon Closures Co., Ltd.	04/09/2015	3210903	15852951.1	
3210952	JX Nippon Mining & Metals Corporation	25/02/2016	3210952	16755599.4	
3211215	Andritz Hydro GmbH	15/02/2017	3211215	17156195.4	German
3211217	Wobben Properties GmbH	05/10/2012	3211217	17153315.1	German
3211341	Dongguan Lifa Air Technology Limited	27/07/2016	3211341	16825693.1	
3211654	LSIS Co., Ltd.	17/11/2016	3211654	16199363.9	
3212024	Sylvain, Creton Trinel, Sylvie Tribolet, Christelle Bassien-Capsa, Alain	28/10/2015	3212024	15797132.6	French
3212081	Chiaro Technology Limited	28/10/2015	3212081	15791019.1	
3212114	Dental Monitoring	27/10/2015	3212114	15786937.1	French
3212268	W. L. Gore & Associates, Inc.	29/10/2015	3212268	15793985.1	
3212462	Volkswagen Aktiengesellschaft	28/10/2015	3212462	15787187.2	German
3212561	SAIPEM S.p.A.	29/10/2015	3212561	15787210.2	
3212614	Cytec Industries Inc.	22/10/2015	3212614	15791130.6	
3212703	Resinate Materials Group, Inc.	28/10/2015	3212703	15854859.4	
3213621	Deere & Company	03/03/2017	3213621	17159059.9	
3213941	Bucher Hydraulics Erding GmbH	02/03/2016	3213941	16158304.2	German
3214119	Kraiburg TPE GmbH & Co. KG	01/03/2017	3214119	17158645.6	German
3214120	Kraiburg TPE GmbH & Co. KG	01/03/2017	3214120	17158649.8	German
3215230	Colgate-Palmolive Company	17/12/2015	3215230	15820782.9	
3215331	Arkema France	07/10/2015	3215331	15798494.9	French
3215697	SOUTHCO, INC.	06/11/2015	3215697	15794798.7	
3215906	Voltserver, Inc.	06/11/2015	3215906	15857092.9	
3216031	Yale, Thomas, L.	20/07/2015	3216031	15856810.5	
3216362	NIKE Innovate C.V.	28/08/2012	3216362	17000623.3	
3216715	PLASTOTECNICA S.P.A.	07/03/2017	3216715	17159601.8	
3216902	Decitex	09/03/2017	3216902	17159974.9	French
3216946	ABP - AQUILINA BOUVIER POOL	10/03/2016	3216946	16159672.1	French
3217183	Multitest elektronische Systeme GmbH	07/03/2016	3217183	16159029.4	
3217404	Quanta Computer Inc.	23/02/2017	3217404	17157583.0	
3217732	Fujitsu Limited	06/11/2014	3217732	14905564.2	
3218067	The Procter & Gamble Company	04/11/2015	3218067	15795085.8	
3218068	The Procter & Gamble Company	04/11/2015	3218068	15797520.2	
3218267	Novawurks, Inc.	11/11/2015	3218267	15859695.7	

---

3586	(No. 2386)	Patents Office Journal	(29/05/2019)		
3218897	Sony Corporation	08/05/2015	3218897	15721005.5	
3219320	Zenoaq Resource Co. Ltd. Japanese Red Cross Society	13/11/2015	3219320	15859595.9	
3219489	DingZing Advanced Materials Inc.	17/03/2016	3219489	16161009.2	
3219551	Panasonic Intellectual Property Management Co., Ltd.	05/11/2015	3219551	15859367.3	
3219635	Windmüller & Hölscher KG	22/07/2015	3219635	17158506.0	German
3219769	AGC Inc.	06/11/2015	3219769	15858558.8	
3219792	Regenesis Science Co. Ltd.	26/10/2015	3219792	15859245.1	
3219887	ASSA ABLOY Sicherheitstechnik GmbH	14/03/2017	3219887	17160805.2	German
3219928	United Technologies Corporation	09/03/2017	3219928	17160069.5	
3220057	Glen Dimplex Americas Limited	13/03/2017	3220057	17160550.4	
3220113	Université Paris Diderot Centre National de la Recherche Scientifique CNRS	16/03/2016	3220113	16305288.9	
3220520	Mitsubishi Electric Corporation	14/11/2014	3220520	14905679.8	
3220522	Kyosan Electric Mfg. Co., Ltd.	20/02/2015	3220522	15880026.8	
3220562	Nokia Solutions and Networks Oy	02/10/2007	3220562	17163537.8	
3220765	Kulik, Mark	22/10/2015	3220765	15861796.9	
3221084	Harting Electronics GmbH	10/11/2015	3221084	15831044.1	German
3221222	Colines S.p.A.	07/02/2017	3221222	17706422.7	
3221324	Wacker Chemie AG	29/10/2015	3221324	15786984.3	German
3221620	Federal-Mogul Burscheid GmbH	13/10/2015	3221620	15777712.9	German
3221687	Syddansk Universitet	17/11/2015	3221687	15797252.2	
3221879	Eaton Intelligent Power Limited	18/11/2015	3221879	15797318.1	German
3222110	Sony Corporation	21/12/2015	3222110	15813854.5	
3222777	Nippon Pillar Packing Co., Ltd.	30/07/2015	3222777	15860143.5	
3222831	Tenneco (Suzhou) Emission System Co., Ltd.	12/11/2015	3222831	15859425.9	
3223322	LG Innotek Co., Ltd.	22/03/2017	3223322	17162253.3	
3223355	Central Glass Company, Limited	17/09/2015	3223355	15860161.7	
3223419	GE Energy Power Conversion Technology Ltd	22/03/2016	3223419	16161612.3	
3223606	Magyar Tudományos Akadémia Kísérleti Orvostudományi Kutatóintézet	30/11/2015	3223606	15828366.3	
3224072	Audi AG	24/11/2015	3224072	15801120.5	German
3224200	Evonik Degussa GmbH	12/11/2015	3224200	15794169.1	German

---

3224287	Univation Technologies, LLC	24/11/2015	3224287	15805712.5	
3224364	VIB vzw Katholieke Universiteit Leuven K.U. Leuven R&D	24/11/2015	3224364	15800805.2	
3224540	Lumishore Limited	23/11/2015	3224540	15800937.3	
3224634	Renault S.A.S.	26/11/2015	3224634	15808755.1	French
3224635	Renault S.A.S.	26/11/2015	3224635	15808756.9	French
3224636	Renault S.A.S.	26/11/2015	3224636	15808758.5	French
3224759	Hewlett-Packard Development Company, L.P.	26/11/2014	3224759	14906759.7	
3225098	Yamabiko Corporation	08/03/2017	3225098	17275032.5	
3225099	Yamabiko Corporation	08/03/2017	3225099	17275033.3	
3225181	Ethicon LLC	31/03/2017	3225181	17164206.9	
3225207	Tuebingen Scientific Medical GmbH	30/03/2017	3225207	17163774.7	
3225595	Toray Industries, Inc.	26/11/2015	3225595	15863628.2	
3225729	Stäubli Italia S.p.A.	13/03/2017	3225729	17160503.3	
3225866	AISIN SEIKI KABUSHIKI KAISHA	14/03/2017	3225866	17160735.1	
3226250	CEFLA SOCIETA' COOPERATIVA	28/03/2017	3226250	17163214.4	
3227028	Krettek, Guntram	04/12/2015	3227028	15849807.1	German
3227127	Bridgestone Americas Tire Operations, LLC	17/11/2015	3227127	15866219.7	
3227224	Haulotte Group	25/11/2015	3227224	15800839.1	French
3227372	BASF SE	02/12/2015	3227372	15805146.6	German
3227539	Safran Helicopter Engines	02/12/2015	3227539	15817460.7	French
3227682	Meridigen Biotech Co., Ltd.	05/12/2014	3227682	14907398.3	
3228648	LG Chem, Ltd.	03/12/2015	3228648	15866220.5	
3228781	Leisure Concepts, Inc.	31/03/2017	3228781	17164174.9	
3228947	Swegon Operations AB	31/03/2017	3228947	17164166.5	
3229288	Guangzhou Chinaray Optoelectronic Materials Ltd.	03/12/2015	3229288	15865073.9	
3229516	Guangdong Oppo Mobile Telecommunications Corp., Ltd	31/08/2016	3229516	16863467.3	
3229560	FutureDynamics GmbH	16/09/2014	3229560	17000667.0	German
3229656	Steerable Instruments nv	08/12/2015	3229656	15817096.9	
3229894	Medtronic Inc.	03/12/2015	3229894	15820921.3	
3229967	FLSmidth A/S	01/12/2015	3229967	15804307.5	
3230271	Albemarle Corporation	01/12/2015	3230271	15816597.7	
3230308	University of Washington	11/12/2015	3230308	15867844.1	

---

3588	(No. 2386)	<i>Patents Office Journal</i>		(29/05/2019)	
3230334	BASF Coatings GmbH	30/11/2015	3230334	15802081.8	German
3230513	Chomarat, Gilbert	08/12/2015	3230513	15817556.2	French
3230949	Novartis AG	10/02/2016	3230949	16708258.5	
3231581	XYZprinting, Inc. Kinpo Electronics, Inc.	14/10/2016	3231581	16193834.5	
3231640	Bridgestone Corporation	02/12/2015	3231640	15866478.9	
3232359	Nippon Telegraph and Telephone Corporation	04/12/2015	3232359	15867444.0	
3232666	NTT DoCoMo, Inc.	14/07/2011	3232666	17170595.7	
3232997	Coloplast A/S	17/12/2015	3232997	15816652.0	
3233035	Henkel AG & Co. KGaA	29/10/2015	3233035	15786975.1	German
3233110	Neuro-Bio Ltd	18/12/2015	3233110	15816833.6	
3233393	KUKA Deutschland GmbH	03/12/2015	3233393	15805152.4	German
3233759	Aumann, Franz	08/12/2015	3233759	15813725.7	German
3233906	F.HOFFMANN-LA ROCHE AG	15/12/2015	3233906	15817154.6	
3234298	Vallourec Oil and Gas France Nippon Steel & Sumitomo Metal Corporation	16/12/2015	3234298	15810657.5	
3234357	Robert Bosch GmbH	27/10/2015	3234357	15787968.5	German
3234850	Fedex Corporate Services, Inc.	16/12/2015	3234850	15821216.7	
3235865	Kao Corporation	11/11/2015	3235865	15869704.5	
3236031	Tenneco (Suzhou) Emission System Co. Ltd.	12/11/2015	3236031	15860148.4	
3236043	Mitsubishi Heavy Industries, Ltd.	12/01/2016	3236043	16735114.7	
3236192	L&O Hunting Group GmbH	03/04/2017	3236192	17164476.8	German
3236609	LG Electronics Inc.	03/12/2015	3236609	15870224.1	
3237015	Atlanthera	20/11/2015	3237015	15801727.7	French
3237144	Siemens Aktiengesellschaft	14/03/2016	3237144	16711183.0	German
3237159	Dow Global Technologies LLC	30/06/2015	3237159	15736766.5	
3237167	Compagnie Générale des Etablissements Michelin	14/12/2015	3237167	15808613.2	French
3237300	Sonoco Development, Inc.	16/11/2015	3237300	15802203.8	
3237320	Liebherr-Werk Biberach GmbH	09/12/2015	3237320	15808541.5	German
3237363	Public Joint Stock Company "Sibur Holding"	23/12/2014	3237363	14882182.0	
3237416	Gilead Sciences, Inc.	21/12/2015	3237416	15825729.5	
3237436	AADIGEN, LLC	23/12/2015	3237436	15825938.2	
3237727	Exel Industries	24/12/2015	3237727	15817872.3	French

---

3237858	Université des Sciences et Technologies de Lille 1 ISEN Centre National de la Recherche Scientifique	22/12/2015	3237858	15817341.9	French
3237898	Robert Bosch GmbH	08/12/2015	3237898	15807655.4	German
3238347	Telefonaktiebolaget LM Ericsson (publ)	22/12/2014	3238347	14908667.0	
3239379	BROTHER KOGYO KABUSHIKI KAISHA	21/03/2017	3239379	17162159.2	
3239857	Wipro Limited	28/12/2016	3239857	16207207.8	
3240426	Mofin S.R.L.	28/12/2015	3240426	15840968.0	
3240603	The Spectranetics Corporation	30/12/2015	3240603	15876307.8	
3240766	Siemens Aktiengesellschaft	21/03/2016	3240766	16714301.5	German
3241273	ExxonMobil Upstream Research Company	30/12/2015	3241273	15832979.7	
3241291	Huawei Technologies Co. Ltd.	04/01/2016	3241291	16742638.6	
3241320	Oracle International Corporation	02/12/2015	3241320	15816609.0	
3241335	OneSpan International GmbH	29/12/2015	3241335	15885779.7	
3241802	Tetra Laval Holdings & Finance S.A.	04/05/2016	3241802	16168359.4	
3242065	TOTO LTD.	26/04/2017	3242065	17168293.3	
3242094	A-Steel S.R.L.	03/05/2016	3242094	16168181.2	
3242114	ams AG	10/06/2016	3242114	16174001.4	
3242959	Illinois Tool Works Inc.	09/01/2015	3242959	15701628.8	
3243002	Havas, Gábor	12/01/2015	3243002	15706292.8	
3243058	Compagnie Générale des Etablissements Michelin MICHELIN Recherche et Technique S.A.	05/01/2016	3243058	16701084.2	
3243497	Grifols, S.A.	03/05/2017	3243497	17382242.0	
3243744	Airbus Operations Limited	11/05/2016	3243744	16386007.5	
3244129	Team S.r.l. Unipersonale	09/05/2017	3244129	17170188.1	
3244335	Nippon Telegraph and Telephone Corporation	10/02/2016	3244335	16752378.6	
3244700	ROHM CO., LTD.	10/05/2017	3244700	17170438.0	
3244795	Verily Life Sciences LLC	01/02/2016	3244795	16707283.4	
3245194	Pacific Scientific Energetic Materials Company	19/01/2016	3245194	16704094.8	
3245876	Unigra' S.r.l.	16/05/2017	3245876	17171242.5	

---

3590	(No. 2386)	Patents Office Journal	(29/05/2019)		
3245889	adidas AG	15/05/2017	3245889	17171004.9	
3245938	Ethicon, Inc.	17/05/2017	3245938	17171452.0	
3245941	Covidien LP	27/03/2008	3245941	17179538.8	
3246155	Ranpak Corp.	14/11/2011	3246155	17174911.2	
3246227	NSK LTD.	23/06/2016	3246227	16814434.3	
3246272	Deutsche Post AG	30/03/2017	3246272	17163829.9	German
3246276	Nisshin Steel Co., Ltd.	13/01/2016	3246276	16737355.4	
3247826	PrimaLoft, Inc.	20/01/2016	3247826	16740668.5	
3247907	Edwards Limited	06/01/2016	3247907	16700506.5	
3247965	Valeo Systemes Thermiques	19/01/2016	3247965	16700929.9	French
3248107	Microsoft Technology Licensing, LLC	19/01/2016	3248107	16703667.2	
3248418	Mitsubishi Electric Corporation	18/12/2015	3248418	15820651.6	
3248719	MTU Aero Engines AG	23/05/2017	3248719	17172381.0	German
3248896	Bertolin Imballaggi S.r.l.	24/05/2017	3248896	17172707.6	
3249057	Life Technologies Corporation	13/03/2014	3249057	17181624.2	
3249254	Ultra Electronics Limited	10/05/2017	3249254	17170510.6	
3249429	Centre National d'Etudes Spatiales	27/05/2016	3249429	16305611.2	
3250547	Council of Scientific and Industrial Research	29/01/2016	3250547	16712093.0	
3251180	Rosenberger Hochfrequenztechnik GmbH & Co. KG	21/01/2016	3251180	16701256.6	German
3251779	Meteor AG	15/05/2017	3251779	17170958.7	German
3252448	Aptiv Technologies Limited	22/05/2017	3252448	17172302.6	
3252640	Guangdong Oppo Mobile Telecommunications Corp., Ltd	15/05/2017	3252640	17171033.8	
3252771	Huawei Technologies Co., Ltd.	24/12/2010	3252771	17174901.3	
3252876	Aptiv Technologies Limited	01/06/2016	3252876	16172496.8	German
3253113	LG Electronics Inc.	06/05/2011	3253113	17182337.0	
3253430	Sanofi-Aventis Deutschland GmbH	02/02/2016	3253430	16702559.2	
3253638	Siemens Mobility GmbH	24/03/2016	3253638	16714339.5	German
3253652	C SERIES AIRCRAFT LIMITED PARTNERSHIP	03/02/2016	3253652	16703178.0	
3253676	Protechna S.A.	12/11/2015	3253676	15839064.1	German
3253679	Discovery Flexibles Limited	03/02/2016	3253679	16704467.6	
3253921	Codiun Limited	02/02/2016	3253921	16703825.6	
3254500	Telefonaktiebolaget LM Ericsson (publ)	03/02/2015	3254500	15703943.9	
3254771	STERIS Corporation	11/06/2010	3254771	17171232.6	



3255101	Mitsubishi Gas Chemical Company, Inc.	24/12/2015	3255101	15881231.3	
3255176	MacDermid Enthone America LLC	11/01/2012	3255176	17179016.5	
3255528	Apple Inc.	31/05/2017	3255528	17173810.7	
3255917	ZTE Corporation	02/03/2016	3255917	16758476.2	
3256108	Druggability Technologies IP Holdco Limited	09/02/2016	3256108	16705303.2	
3256279	Office National d'Etudes et de Recherches Aérospatiales	05/02/2016	3256279	16707872.4	French
3256392	Tetra Laval Holdings & Finance S.A.	27/01/2016	3256392	16701932.2	
3257044	Dolby Laboratories Licensing Corporation	12/02/2016	3257044	16706957.4	
3257089	Tegma AS	10/02/2016	3257089	16703971.8	
3257178	QUALCOMM Incorporated	15/01/2016	3257178	16704293.6	
3257488	Unicharm Corporation	18/02/2015	3257488	15882002.7	
3257706	Fink SAFETY GmbH Bremicker Verkehrstechnik GmbH & Co. KG	19/10/2016	3257706	16194569.6	German
3258037	U-Shin France	13/06/2016	3258037	16305714.4	French
3258202	Calsonic Kansei Corporation	05/02/2016	3258202	16749174.5	
3258278	LSIS Co., Ltd.	07/06/2017	3258278	17174674.6	
3258386	Rambus Inc.	09/07/2009	3258386	17174681.1	
3259171	Siemens Mobility GmbH	30/03/2016	3259171	16713406.3	German
3259185	Monkeywings IP B.V.	18/02/2016	3259185	16713625.8	
3259444	Beaman, Joseph Jefferson Fish, Scott Foti, David Anthony Winters, Warren Jefferson Board of Regents, The University of Texas System BP Corporation North America Inc.	17/02/2016	3259444	16708844.2	
3260111	JOHNSON & JOHNSON CONSUMER INC.	21/06/2017	3260111	17177233.8	
3260127	Cornell Research Foundation, Inc.	18/09/2006	3260127	17172250.7	
3260251	Braun GmbH	24/06/2016	3260251	16176233.1	
3260442	SCI Pharmtech, Inc.	21/06/2017	3260442	17177166.0	
3260695	Continental Automotive GmbH	24/06/2016	3260695	16176098.8	
3260811	Mitutoyo Corporation	14/06/2017	3260811	17176090.3	

3592	(No. 2386)	Patents Office Journal	(29/05/2019)		
3261120	NXP B.V.	24/06/2016	3261120	16290115.1	
3261230	JTEKT CORPORATION	19/06/2017	3261230	17176546.4	
3261410	Toshiba Lighting & Technology Corporation	15/03/2017	3261410	17161007.4	
3261588	Abbott Cardiovascular Systems Inc.	19/02/2016	3261588	16712566.5	
3261599	NSF Controls Ltd	11/03/2016	3261599	16711336.4	
3261750	W. L. Gore & Associates, Inc.	25/02/2016	3261750	16721274.5	
3261906	Daimler AG	19/02/2016	3261906	16709269.1	German
3262294	Wärtsilä Finland Oy	23/02/2015	3262294	15707406.3	
3262345	PellasX Spółka z o.o. Spółka Komandytowa	08/10/2015	3262345	15798578.9	
3262369	Raytheon Company	28/05/2016	3262369	16730124.1	
3262418	Innovative Concepts in Drug Development	26/02/2016	3262418	16706621.6	
3262476	Fives Landis Limited	22/02/2016	3262476	16706425.2	
3262994	Technopool Sarl	26/06/2017	3262994	17177778.2	French
3263258	Naldi, Valter	23/06/2017	3263258	17001066.4	
3263638	Kaneka Corporation	25/02/2016	3263638	16755619.0	
3263966	Newfrey LLC	01/10/2015	3263966	17185244.5	
3263971	Patlite Corporation	28/12/2015	3263971	15912094.8	
3264009	Mitsubishi Heavy Industries Thermal Systems, Ltd.	28/03/2016	3264009	16779897.4	
3264153	Olympus Corporation	22/06/2017	3264153	17177377.3	
3264660	BlackBerry Limited	25/01/2013	3264660	17185621.4	
3264785	Fujikura Ltd.	26/02/2016	3264785	16755733.9	
3264799	Oticon A/S	27/06/2017	3264799	17178001.8	
3264963	Alfred Kärcher SE & Co. KG	06/03/2015	3264963	15707998.9	German
3265233	thyssenkrupp Industrial Solutions AG thyssenkrupp AG	25/02/2016	3265233	16706191.0	German
3265334	Renault S.A.S.	19/02/2016	3265334	16714471.6	French
3265357	Eurotech SPA	03/03/2016	3265357	16722398.1	
3265380	Wärtsilä Netherlands B.V.	05/03/2015	3265380	15707963.3	
3265401	Baranski, Slawomir	06/01/2016	3265401	16700110.6	German
3265438	Tfchem	04/03/2016	3265438	16707805.4	
3265581	AXOLABS GmbH	02/03/2016	3265581	16707454.1	
3265663	ArianeGroup SAS	02/03/2016	3265663	16714990.5	French
3265701	Robert Bosch GmbH	25/02/2016	3265701	16708624.8	German
3266331	Metal P. di Paris G. & C. S.r.l.	29/06/2017	3266331	17178563.7	

3266350	Sunnylove Baby Products Zhuhai Co., Ltd	06/06/2017	3266350	17174567.2	
3266391	Covidien LP	20/02/2009	3266391	17185818.6	
3266851	Technip France	08/07/2016	3266851	16178736.1	
3267366	OCE Holding B.V.	28/06/2017	3267366	17178281.6	
3267472	Semiconductor Manufacturing International (Shanghai) Corporation Semiconductor Manufacturing International (Beijing) Corporation	05/07/2017	3267472	17179738.4	
3267736	Alps Alpine Co., Ltd.	04/07/2017	3267736	17179580.0	
3267863	De' Longhi Appliances S.r.l. Con Unico Socio	09/03/2016	3267863	16719484.4	
3268203	Sacmi Imola S.C.	10/03/2016	3268203	16709063.8	
3268254	PSA AUTOMOBILES S.A.	02/03/2016	3268254	16714992.1	French
3268698	Endress+Hauser Flowtec AG	15/02/2016	3268698	16704233.2	German
3268742	Genome Identification Diagnostics GmbH	11/03/2016	3268742	16738349.6	German
3269000	Safran Power Units	08/03/2016	3269000	16711878.5	French
3269027	Microchip Technology Incorporated	11/03/2016	3269027	16710646.7	
3269467	NISSHIN STEEL CO., LTD.	09/03/2016	3269467	16764812.0	
3269569	Snap-on Equipment S.r.l.	26/06/2017	3269569	17177921.8	
3270033	Braun, Franz	11/07/2017	3270033	17180764.7	German
3270053	OSRAM GmbH	06/07/2017	3270053	17180022.0	
3270158	SVAR Life Science AB Centre National de la Recherche Scientifique (C.N.R.S.)	30/10/2007	3270158	17187021.5	
3270486	Vertiv Tech Co., Ltd.	26/05/2017	3270486	17173109.4	
3270565	Huawei Technologies Co., Ltd.	28/03/2015	3270565	15886820.8	
3270723	Salvatori, Ettore	17/03/2016	3270723	16710213.6	
3270727	JACQ. GmbH	03/03/2016	3270727	16707487.1	German
3270754	China Manufacturing and Brokerage, Inc.	18/03/2016	3270754	16714591.1	
3270830	Medacta International SA	15/03/2016	3270830	16719500.7	
3270832	Mantovani, Matteo Catani, Fabio	18/03/2016	3270832	16719904.1	
3270875	Dow Global Technologies LLC Rohm and Haas Company	18/03/2016	3270875	16714674.5	

3594	(No. 2386)	Patents Office Journal	(29/05/2019)		
3271184	Hewlett-Packard Development Company, L.P.	17/07/2015	3271184	15745418.2	
3271214	PSA AUTOMOBILES S.A.	03/03/2016	3271214	16714997.0	French
3271236	PSA AUTOMOBILES S.A.	03/03/2016	3271236	16714998.8	French
3271244	Safran Electronics & Defense	03/03/2016	3271244	16707791.6	French
3271279	Otis Elevator Company	18/03/2015	3271279	15712572.5	
3271828	Intel Corporation	17/02/2016	3271828	16765386.4	
3271919	Qualcomm Incorporated	16/03/2016	3271919	16714646.3	
3271923	Hydromine Nuclear Energy S.A.R.L.	17/03/2016	3271923	16719133.7	
3271932	Pilz GmbH & Co. KG	18/03/2016	3271932	16710750.7	German
3271933	Eaton Corporation	17/03/2016	3271933	16714653.9	
3271953	Goertek Inc.	21/05/2015	3271953	15892223.7	
3272060	Hewlett Packard Enterprise Development LP	20/03/2015	3272060	15886621.0	
3272064	Inside Secure	17/03/2016	3272064	16713556.5	French
3272301	Heraeus Medical GmbH	28/06/2017	3272301	17178449.9	German
3272350	Centre Hospitalier Universitaire de Toulouse Affichem INSERM (Institut National de la Santé et de la Recherche Médicale)	03/09/2014	3272350	17187169.2	
3272474	SAMEC S.R.L.	16/11/2016	3272474	16002434.5	
3272508	Airbus Operations GmbH	06/07/2017	3272508	17179945.5	German
3272510	The Goodyear Tire & Rubber Company	20/07/2017	3272510	17182269.5	
3272606	Nissan Motor Co., Ltd.	20/03/2015	3272606	15886217.7	
3272678	Riedl GmbH	18/07/2016	3272678	16179953.1	German
3272731	Evonik Degussa GmbH	19/07/2016	3272731	16180048.7	German
3273363	SAP SE	12/07/2017	3273363	17001187.8	
3273659	Panasonic Intellectual Property Corporation of America	18/07/2017	3273659	17181807.3	
3273887	Silony Medical International AG	21/03/2016	3273887	16720724.0	German
3274118	Profilator GmbH & Co. KG	08/03/2016	3274118	16711163.2	German
3274135	KUKA Deutschland GmbH	21/03/2016	3274135	16711602.9	German
3274212	Dorel France	03/03/2016	3274212	16709312.9	French
3274232	PSA AUTOMOBILES S.A.	03/03/2016	3274232	16711331.5	French
3274578	SAFRAN AIRCRAFT ENGINES	25/03/2016	3274578	16719444.8	French
3274782	SAFRAN AIRCRAFT ENGINES	24/03/2016	3274782	16717984.5	French
3275083	Safran Electronics & Defense SAS	22/03/2016	3275083	16714795.8	French

3275084	Safran Electronics & Defense SAS	23/03/2016	3275084	16714800.6	French
3275090	Sony Corporation	25/03/2015	3275090	15712607.9	
3275683	Bundesdruckerei GmbH	10/07/2017	3275683	17180417.2	German
3275774	Robert Bosch GmbH	12/05/2017	3275774	17170830.8	German
3276025	JFE Steel Corporation	25/03/2016	3276025	16768074.3	
3276320	Kidde Technologies, Inc.	25/07/2017	3276320	17183125.8	
3276777	Guangdong Oppo Mobile Telecommunications Corp., Ltd	28/06/2017	3276777	17178298.0	
3277324	Council Of Scientific & Industrial Research	30/03/2016	3277324	16729072.5	
3277341	Becton, Dickinson and Company	24/03/2016	3277341	16715691.8	
3277391	Mayordomo Vicente, Juan Miguel	24/03/2016	3277391	16712821.4	
3277588	Lourd'innov	30/03/2016	3277588	16712878.4	French
3277630	SASOL Germany GmbH	08/03/2016	3277630	16708940.8	
3277729	AMBIENTE E NUTRIZIONE S.r.l.	11/03/2016	3277729	16713298.4	
3277966	Lafer S.r.l.	01/04/2016	3277966	16721234.9	
3277986	Punch Powertrain N.V.	01/04/2016	3277986	16713456.8	
3278346	Eaton Corporation	17/03/2016	3278346	16712644.0	
3278347	Eaton Corporation	21/03/2016	3278347	16712678.8	
3278348	Eaton Corporation	24/03/2016	3278348	16712709.1	
3278527	Telefonaktiebolaget LM Ericsson (publ)	18/01/2016	3278527	16701430.7	
3278698	LG Electronics Inc.	07/07/2017	3278698	17180229.1	
3278956	BASF SE	03/08/2016	3278956	16182632.6	German
3279563	Mitsubishi Hitachi Power Systems, Ltd.	22/02/2016	3279563	16771965.7	
3279703	DEKA Products Limited Partnership	07/07/2011	3279703	17189188.0	
3280171	Deutsche Telekom AG	03/08/2016	3280171	16182549.2	
3280561	FELSOMAT GmbH & Co. KG	18/03/2016	3280561	16710438.9	German
3281194	Dolby International AB	06/04/2016	3281194	16714898.0	
3281269	Siemens Aktiengesellschaft	30/03/2016	3281269	16713852.8	German
3281409	Dolby Laboratories Licensing Corporation	30/03/2016	3281409	16715434.3	
3281642	SBI Pharmaceuticals Co., Ltd.	27/03/2008	3281642	17193845.9	
3281777	Guangdong Oppo Mobile Telecommunications Corp., Ltd	13/07/2017	3281777	17181184.7	
3282116	Rolls-Royce plc	25/07/2017	3282116	17183004.5	
3282514	LG Chem, Ltd.	01/12/2016	3282514	16873285.7	
3282644	Beijing Xiaomi Mobile Software Co., Ltd.	27/01/2017	3282644	17153640.2	

3596	(No. 2386)	Patents Office Journal	(29/05/2019)		
3283282	VMI Holland B.V.	29/03/2016	3283282	16732779.0	
3283315	PSA AUTOMOBILES S.A.	14/03/2016	3283315	16713547.4	French
3283398	Roiser, Johann	29/03/2016	3283398	16723638.9	German
3283422	VMI Holland B.V.	18/03/2016	3283422	16722415.3	
3283433	TDK Corporation	08/03/2016	3283433	16709349.1	
3283721	SIMU	14/04/2016	3283721	16716230.4	French
3283756	Delphi Technologies IP Limited	18/02/2016	3283756	16704870.1	
3284214	Hewlett Packard Enterprise Development LP	18/11/2015	3284214	15908948.1	
3284333	Forges Gorce	11/05/2017	3284333	17170552.8	French
3284858	BSH Hausgeräte GmbH	24/07/2017	3284858	17182738.9	
3284901	Itrec B.V.	27/05/2014	3284901	17183088.8	
3285133	Samsung Electronics Co., Ltd.	19/08/2016	3285133	16184971.6	
3285196	Bastille Networks, Inc.	02/06/2015	3285196	17189632.7	
3285240	Schell, Jürgen	17/08/2016	3285240	16184521.9	German
3285255	Fraunhofer-Gesellschaft zur Förderung der angewandten Forschung e.V.	27/10/2014	3285255	17191505.1	
3285319	JFE Steel Corporation	22/03/2016	3285319	16779734.9	
3286030	Goldhofer AG	22/04/2016	3286030	16720766.1	German
3286499	Defendi Italy S.r.l.	21/04/2016	3286499	16727547.8	
3287054	BSH Hausgeräte GmbH	15/08/2017	3287054	17186260.0	German
3287608	MTU Aero Engines AG	04/07/2017	3287608	17179470.4	German
3287642	ebm-papst Mulfingen GmbH & Co. KG	11/08/2017	3287642	17185975.4	German
3287678	Rolls-Royce plc	19/07/2017	3287678	17182062.4	
3287855	Meco S.A.	26/08/2016	3287855	16185951.7	French
3287916	SAP SE	26/08/2016	3287916	16185965.7	
3288780	Continental Reifen Deutschland GmbH	26/01/2016	3288780	16701492.7	German
3288799	Kinetix AG	15/03/2016	3288799	16717843.3	German
3289300	ENEXIO Hungary Zrt.	22/04/2016	3289300	16729363.8	
3289871	Camro A/S	01/09/2016	3289871	16186805.4	
3290091	Casdon Limited	10/08/2017	3290091	17185767.5	
3290205	Mondi Gronau GmbH	17/03/2014	3290205	17197807.5	German
3290253	Aptiv Technologies Limited	21/08/2017	3290253	17187000.9	French
3290369	Agronic Oy	01/09/2017	3290369	17189035.3	
3290617	HILTI Aktiengesellschaft	06/09/2016	3290617	16187405.2	German
3290624	Liang, Yelin	01/12/2016	3290624	16892370.4	
3290773	Double Good Co.	05/09/2016	3290773	16187181.9	
3291784	Fitesa Germany GmbH	04/05/2016	3291784	16724858.2	

3292045	SICA S.P.A.	04/05/2016	3292045	16723174.5	
3292068	Otis Elevator Company	06/05/2015	3292068	15719490.3	
3292131	Vaxxilon AG	18/04/2017	3292131	17716941.4	
	Max-Planck-Gesellschaft zur Förderung der Wissenschaften e.V.				
3292394	Emerson Process Management GmbH & Co. OHG	03/05/2016	3292394	16723961.5	German
3292839	Coloplast A/S	07/09/2017	3292839	17189841.4	
3292873	CureVac AG	21/02/2014	3292873	17001347.8	
3293020	Devel S.r.l.	07/09/2017	3293020	17189779.6	
3293144	J.C. Bamford Excavators Limited	01/09/2017	3293144	17189100.5	
3293308	SSL Stahlbeton-Schwellenwerk Linz GmbH	10/09/2016	3293308	16001975.8	German
3294104	Carl Freudenberg KG	18/03/2016	3294104	16710974.3	German
3294204	The Procter & Gamble Company	09/05/2016	3294204	16724211.4	
3294529	dp polar GmbH	10/05/2016	3294529	16723992.0	German
3294666	Luxembourg Institute of Science and Technology (LIST)	12/05/2016	3294666	16726026.4	
3294741	Palacky University Olomouc Ustav Experimentalni Botaniky Av CR, V.V.I.	02/10/2015	3294741	15784268.3	
3294939	Thies GmbH & Co. KG	06/05/2016	3294939	16741526.4	German
3295121	Lynxplus SAS	13/05/2015	3295121	15730826.3	French
3295246	Photocentric Limited	12/05/2016	3295246	16723468.1	
3295534	Siemens Aktiengesellschaft	09/06/2016	3295534	16729856.1	German
3295829	Sedus Stoll AG	10/07/2017	3295829	17180500.5	German
3296096	Stowe Woodward Licensco LLC	08/09/2015	3296096	17197675.6	
3296097	Mitsubishi Gas Chemical Company, Inc.	07/09/2017	3296097	17189939.6	
3296465	Etablissements Mottez & Cie	28/08/2017	3296465	17188138.6	French
3296529	AISIN SEIKI KABUSHIKI KAISHA	14/09/2017	3296529	17190997.1	
3296541	Pratt & Whitney Canada Corp.	10/08/2017	3296541	17185796.4	
3297959	Bayram, Edip	20/05/2016	3297959	16741161.0	
3298021	Tolero Pharmaceuticals, Inc.	18/05/2016	3298021	16725997.7	
3298189	BSH Hausgeräte GmbH	20/05/2016	3298189	16723765.0	German
3298217	Università Degli Studi Di Salerno	17/05/2016	3298217	16734731.9	
3298243	Safran Aircraft Engines	20/05/2016	3298243	16729314.1	French
3298316	egeplast international GmbH	13/05/2016	3298316	16722885.7	German

3598	(No. 2386)	Patents Office Journal	(29/05/2019)		
3298365	IRnova AB	22/05/2015	3298365	15726077.9	
3298606	Telefonaktiebolaget LM Ericsson (PUBL)	19/05/2016	3298606	16724395.5	
3298713	Telefonaktiebolaget LM Ericsson (publ)	10/08/2016	3298713	16751570.9	
3299139	Aptiv Technologies Limited	21/08/2017	3299139	17186996.9	
3299140	Synventive Molding Solutions, Inc.	23/06/2014	3299140	17187064.5	
3299192	BPW Fahrzeugtechnik GmbH & Co. KG Reich GmbH Regel- und Sicherheitstechnik	22/08/2017	3299192	17187173.4	German
3299215	TOYOTA JIDOSHA KABUSHIKI KAISHA	08/09/2017	3299215	17190017.8	
3299268	STG Consulting Co., Limited	27/09/2017	3299268	17193552.1	
3299275	Magnan, Charles Reginald	08/09/2017	3299275	17250010.0	
3299883	Samsung Display Co., Ltd.	12/07/2017	3299883	17181001.3	
3299904	KABUSHIKI KAISHA TOSHIBA Toshiba TEC Kabushiki Kaisha	05/09/2017	3299904	17189345.6	
3299985	Toshiba TEC Kabushiki Kaisha	15/09/2017	3299985	17191388.2	
3300136	LG Chem, Ltd.	12/09/2016	3300136	16870898.0	
3300325	Commissariat à l'Energie Atomique et aux Energies Alternatives	19/09/2017	3300325	17191727.1	French
3300430	Alcatel Lucent	22/09/2016	3300430	16306219.3	
3300518	Allegro MicroSystems, LLC	31/05/2016	3300518	16730126.6	
3300718	Cargill, Incorporated	29/09/2016	3300718	16191263.9	
3300932	King Rack Industrial Co., Ltd.	29/09/2017	3300932	17194265.9	
3300964	Kabushiki Kaisha Tokai Rika Denki Seisakusho	13/09/2017	3300964	17190759.5	
3301032	Lantech.Com LLC	13/02/2014	3301032	17199698.6	
3301139	Brav Norway AS	29/09/2017	3301139	17194101.6	
3301243	Profit Lock Limited	22/09/2017	3301243	17192527.4	
3301272	Plastic Omnium Advanced Innovation and Research	15/05/2008	3301272	17197580.8	
3301380	Mitsubishi Heavy Industries Thermal Systems, Ltd.	11/05/2016	3301380	16841193.2	
3301531	Continental Automotive GmbH	29/09/2017	3301531	17194102.4	German
3301975	Intel IP Corporation	28/09/2016	3301975	16191012.0	
3301988	Intel IP Corporation	29/09/2016	3301988	16191440.3	
3302078	CSK Food Enrichment BV	27/05/2016	3302078	16744565.9	



---

3302181	Friedrich UG (Haftungsbeschränkt)	01/06/2016	3302181	16726569.3	German
3302377	Coloplast A/S	03/06/2016	3302377	16727944.7	
3302889	Hilti Aktiengesellschaft	20/05/2016	3302889	16725473.9	German
3303039	ThyssenKrupp Presta TecCenter AG thyssenkrupp AG	01/06/2016	3303039	16727664.1	German
3303131	Airbus Operations GmbH	02/06/2016	3303131	16726340.9	
3303145	AETNA GROUP S.P.A. Robopac S.p.A.	27/05/2016	3303145	16739253.9	
3303153	Focke & Co. (GmbH & Co. KG)	17/05/2016	3303153	16724286.6	German
3303330	Bristol-Myers Squibb Company	02/06/2016	3303330	16729454.5	
3303439	BYK-Chemie GmbH	03/06/2016	3303439	16732461.5	German
3303774	Safran Aircraft Engines	27/05/2016	3303774	16733638.7	French
3303792	Volvo Truck Corporation	29/05/2015	3303792	15727349.1	
3304391	Google LLC	16/05/2016	3304391	16726251.8	
3304488	Huawei Technologies Co., Ltd.	03/07/2015	3304488	15741505.0	
3304736	Qualcomm Incorporated	12/05/2016	3304736	16724812.9	
3304939	Telefonaktiebolaget LM Ericsson (publ)	26/05/2016	3304939	16726966.1	
3305160	Miele & Cie. KG	27/09/2017	3305160	17193409.4	German
3305298	Kythera Biopharmaceuticals, Inc.	23/08/2011	3305298	17188946.2	
3305946	Varian Semiconductor Equipment Associates, Inc.	02/03/2011	3305946	17201509.1	
3306178	Double Good Co.	10/10/2016	3306178	16192983.1	
3306234	MITSUBISHI HEAVY INDUSTRIES THERMAL SYSTEMS, LTD.	03/10/2017	3306234	17194601.5	
3306247	LU-VE S.P.A.	03/10/2017	3306247	17194597.5	
3306465	Idemia Identity & Security France	06/10/2017	3306465	17195112.2	French
3307104	Geox S.p.A.	08/06/2016	3307104	16727702.9	
3307545	Trodat GmbH	08/06/2016	3307545	16736362.1	German
3307548	Trodat GmbH	08/06/2016	3307548	16738647.3	German
3307635	Sluis Cigar Machinery B.V.	01/06/2016	3307635	16744897.6	
3308039	Hilti Aktiengesellschaft	07/06/2016	3308039	16727212.9	German
3308238	Eaton Intelligent Power Limited	12/06/2016	3308238	16728681.4	
3308532	Assa Abloy AB	14/06/2016	3308532	16729883.5	
3309082	Illinois Tool Works, Inc.	09/10/2017	3309082	17195482.9	
3309343	Lammin Ikkuna Oy	11/10/2016	3309343	16193208.2	
3309620	HP Printing Korea Co., Ltd.	10/03/2017	3309620	17160283.2	
3310081	Airbus Operations GmbH Airbus Defence and Space GmbH	13/10/2016	3310081	16193655.4	German

---

3600	(No. 2386)	Patents Office Journal	(29/05/2019)		
3310186	Tetra Laval Holdings & Finance S.A.	16/06/2016	3310186	16731839.3	
3310210	Viabizzuno S.r.L.	15/06/2016	3310210	16736919.8	
3310296	3M Innovative Properties Company	14/06/2016	3310296	16732151.2	
3310424	Stefanidis, Giannis	30/05/2016	3310424	16733176.8	
3310614	Volkswagen Aktiengesellschaft	17/06/2016	3310614	16731109.1	German
3310869	Dow Global Technologies LLC	14/06/2016	3310869	16741407.7	
3311016	Wärtsilä Finland Oy	17/06/2015	3311016	15738716.8	
3311702	Sedus Stoll AG	02/08/2017	3311702	17184383.2	German
3311925	Sigma Laborzentrifugen GmbH	24/10/2016	3311925	16195366.6	German
3311965	Paper Converting Machine Company Italia S.p.A.	05/10/2017	3311965	17195028.0	
3312051	Deutsche Post AG	17/10/2017	3312051	17196736.7	
3312535	TOYOTA JIDOSHA KABUSHIKI KAISHA	27/09/2017	3312535	17193546.3	
3312555	WiSeNe Sp. z o.o.	20/10/2017	3312555	17001732.1	
3312602	Maselli Misure S.P.A.	11/10/2017	3312602	17195898.6	
3313126	Empire Technology Development LLC	07/06/2010	3313126	17203824.2	
3313237	Nilo S.r.l.	17/11/2016	3313237	16823043.1	
3313298	One Ortho	23/06/2016	3313298	16747810.6	French
3313353	Rondol Industrie	23/06/2016	3313353	16733396.2	French
3313459	ELKEM SILICONES France SAS	23/06/2016	3313459	16745779.5	French
3313494	Coloplast A/S	24/06/2016	3313494	16735569.2	
3313668	Giesecke+Devrient Mobile Security GmbH	29/06/2016	3313668	16733882.1	German
3314207	Bayerische Motoren Werke Aktiengesellschaft	21/06/2016	3314207	16731571.2	German
3314584	Valeo Comfort and Driving Assistance	24/06/2016	3314584	16733428.3	French
3315104	Vlamynck, Elodie Gagnoux, Jérôme	17/10/2017	3315104	17196787.0	French
3315772	DROPSA S.p.A.	23/10/2017	3315772	17197713.5	
3315845	TOYOTA JIDOSHA KABUSHIKI KAISHA	27/09/2017	3315845	17193543.0	
3316754	Dyson Technology Limited	28/06/2016	3316754	16732737.8	
3316781	Koninklijke Philips N.V.	23/06/2016	3316781	16731167.9	
3316800	Boston Scientific Scimed, Inc.	29/06/2016	3316800	16738620.0	
3316803	Ethicon LLC	30/06/2016	3316803	16739352.9	
3317066	Braun GmbH	22/06/2016	3317066	16732347.6	
3317079	Aalto University Foundation SR	28/06/2016	3317079	16738203.5	

---

3317106	Thieme GmbH & Co. KG	29/06/2016	3317106	16733517.3	German
3318132	Serrano Maq. Carnica Comercial, S.L.U.	31/10/2017	3318132	17199305.8	
3318447	Alpine Electronics, Inc.	08/11/2016	3318447	16197848.1	
3318654	JFE Steel Corporation	26/09/2016	3318654	16850651.7	
3318813	Wuhu Midea Kitchen And Bath Appliances Mfg. Co, Ltd. Midea Group Co., Ltd.	30/12/2016	3318813	16869366.1	
3318890	Aptiv Technologies Limited	02/11/2016	3318890	16196798.9	
3319069	Skeyecode	24/05/2017	3319069	17172856.1	
3319522	Arcon Srls	06/07/2016	3319522	16748144.9	
3319759	IPP Industries Sarl	06/07/2016	3319759	16738105.2	French
3319975	Kuros Biosciences AG	06/07/2016	3319975	16736845.5	
3320002	Université de Haute Alsace	06/07/2016	3320002	16736119.5	
3320149	TERRE ARMEE INTERNATIONALE	05/07/2016	3320149	16744806.7	French
3320150	Meccanica Breganzese S.p.A. In Breve Mb S.p.A.	11/07/2016	3320150	16757069.6	
3320165	MACO Technologie GmbH	08/08/2016	3320165	16751562.6	German
3320176	Moog Inc.	29/06/2016	3320176	16738953.5	
3320274	Dyson Technology Limited	30/06/2016	3320274	16736576.6	
3320324	Kay, David SABIC Global Technologies B.V.	08/07/2016	3320324	16748382.5	
3320400	GUANGDONG JIXUN PRECISION EQUIPMENT CO., LTD.	13/06/2016	3320400	16728338.1	
3320465	Brighter AB (Publ)	07/07/2016	3320465	16744322.5	
3320552	Siemens Aktiengesellschaft	28/08/2015	3320552	15759715.4	German
3320868	Stryker European Holdings I, LLC	11/11/2016	3320868	16002390.9	
3320994	Technische Universität Dortmund	09/11/2017	3320994	17400061.2	German
3321305	Wacker Chemie AG	04/07/2016	3321305	16821605.9	
3321630	Topcon Corporation	03/11/2017	3321630	17199895.8	
3322197	Go!Foton Holdings, Inc.	25/01/2013	3322197	17206046.9	
3322701	F. Hoffmann-La Roche AG	11/07/2016	3322701	16739442.8	
3322844	Oerlikon Textile GmbH & Co. KG	06/07/2016	3322844	16736429.8	German
3322909	Schaeffler Technologies AG & Co. KG	12/07/2016	3322909	16766473.9	German
3323223	Cisco Technology, Inc.	19/06/2016	3323223	16732865.7	
3323224	Cisco Technology, Inc.	19/06/2016	3323224	16742062.9	
3323477	No More Boots AB	17/11/2016	3323477	16199352.2	

---

3602	(No. 2386)	Patents Office Journal	(29/05/2019)		
3323648	Tenneco Automotive Operating Company Inc.	28/02/2014	3323648	17207671.3	
3323675	Rolfo S.p.A.	09/11/2017	3323675	17001842.8	
3324867	Neurescue ApS	02/12/2016	3324867	16805427.8	
3325163	thyssenkrupp Industrial Solutions AG thyssenkrupp AG	22/07/2016	3325163	16741940.7	German
3325220	Hilti Aktiengesellschaft	12/07/2016	3325220	16738747.1	German
3325305	Husqvarna AB	20/07/2016	3325305	16742414.2	
3325477	F. Hoffmann-La Roche AG	18/07/2016	3325477	16739479.0	
3325571	Merck Patent GmbH	29/06/2016	3325571	16733304.6	
3325681	Commissariat à l'Énergie Atomique et aux Énergies Alternatives Centre National de la Recherche Scientifique Université Claude Bernard Lyon 1	19/07/2016	3325681	16741604.9	French
3325908	Steno S.r.l.	20/07/2016	3325908	16757722.0	
3326067	Microsoft Technology Licensing, LLC	20/07/2016	3326067	16745948.6	
3327350	Delaite, Alain Michel Decourteix Jean Francois	25/11/2016	3327350	16306559.2	French
3327443	GLP systems GmbH	25/11/2016	3327443	16200627.4	German
3327732	Hexatronic Group AB	23/11/2016	3327732	16200293.5	
3328247	Henry, Gilles	27/07/2016	3328247	16753271.2	
3328686	Conti Temic microelectronic GmbH	11/07/2016	3328686	16757819.4	German
3329075	EFAFLEX INZENIRING d.o.o. Ljubljana	21/07/2016	3329075	16741323.6	German
3329138	Trelleborg Boots France	22/07/2016	3329138	16750982.7	French
3329179	ZKW Group GmbH	18/07/2016	3329179	16750359.8	German
3329492	Neusca SAS	22/07/2016	3329492	16742291.4	French
3329539	Commissariat à l'Énergie Atomique et aux Énergies Alternatives	25/07/2016	3329539	16744364.7	French
3329575	Robert Bosch GmbH	14/06/2016	3329575	16735587.4	German
3329795	Head Technology GmbH	24/11/2017	3329795	17203444.9	
3330105	Bridgestone Corporation	29/07/2016	3330105	16832962.1	
3330196	ALWA GmbH & Co. KG Konstruktion & Formenbau	01/12/2016	3330196	16201630.7	German
3330493	Rolls-Royce Deutschland Ltd & Co KG	02/12/2016	3330493	16202041.6	
3330622	MITSUBISHI HEAVY INDUSTRIES THERMAL SYSTEMS, LTD.	29/11/2017	3330622	17204526.2	

---

3330887	Fujian Landi Commercial Equipment Co., Ltd	02/08/2016	3330887	16843538.6	
3331118	Siemens Aktiengesellschaft	01/11/2017	3331118	17199507.9	German
3331741	PSA AUTOMOBILES S.A.	08/07/2016	3331741	16744817.4	French
3332416	Ellenberger & Poensgen GmbH	19/05/2016	3332416	16728842.2	German
3332438	Jenabatteries GmbH Friedrich-Schiller-Universität Jena	03/08/2016	3332438	16747731.4	German
3332590	Telefonaktiebolaget LM Ericsson (publ)	07/08/2015	3332590	15901099.0	
3332711	Harris Corporation	09/06/2017	3332711	17000983.1	
3333003	LG ELECTRONICS INC.	06/12/2017	3333003	17205633.5	
3333315	Valmet Technologies Oy	08/12/2016	3333315	16202857.5	
3333599	Karl Storz SE & Co. KG	15/11/2017	3333599	17001867.5	
3333868	OMRON Corporation	24/10/2017	3333868	17198108.7	
3333944	LG Chem, Ltd.	28/02/2017	3333944	17760297.6	
3334985	Danfoss A/S	01/07/2016	3334985	16733622.1	
3335264	Commissariat à l'Énergie Atomique et aux Énergies Alternatives	12/08/2016	3335264	16756983.9	French
3335359	Telefonaktiebolaget LM Ericsson (PUBL)	10/08/2016	3335359	16754337.0	
3335370	INEXTO SA	13/08/2016	3335370	16751297.9	
3335605	Sempere Borja, Carlos	12/12/2017	3335605	17206687.0	
3335839	Festool GmbH	14/12/2017	3335839	17207416.3	German
3336081	Microbial Chemistry Research Foundation	24/02/2014	3336081	17001878.2	
3336279	Gierre S.r.L.	31/08/2017	3336279	17188690.6	
3337100	Vodafone GmbH	15/12/2016	3337100	16204369.9	
3338043	Gasconsult Limited	23/06/2016	3338043	16738486.6	
3338205	Ironnet Cybersecurity, Inc.	02/06/2017	3338205	17828119.2	
3338302	Continental Automotive GmbH	08/08/2016	3338302	16750791.2	German
3339057	Sumitomo Rubber Industries, Ltd.	08/12/2017	3339057	17206110.3	
3339540	Wilh. Schlechtendahl & Söhne GmbH & Co. KG	17/01/2017	3339540	17000076.4	German
3339651	PFEIFFER VACUUM GMBH	23/12/2016	3339651	16206675.7	German
3339752	Danfoss A/S	22/12/2016	3339752	16206125.3	
3340442	Kobelco Research Institute, Inc.	15/06/2016	3340442	16836861.1	
3341541	Kiekert AG	16/08/2016	3341541	16770677.9	German
3341570	Safran Aircraft Engines	25/08/2016	3341570	16770056.6	French
3341807	Endress+Hauser Process Solutions AG	26/07/2016	3341807	16742319.3	German

---

3604	(No. 2386)	Patents Office Journal	(29/05/2019)		
3342462	Mevion Medical Systems, Inc.	27/09/2013	3342462	18150010.9	
3342499	Sumitomo Heavy Industries, Ltd.	26/08/2016	3342499	16839372.6	
3342502	Yung Chi Industry Co., Ltd.	29/12/2016	3342502	16207430.6	
3343085	Strasser GmbH	03/01/2017	3343085	17150106.7	German
3343307	Panasonic Intellectual Property Corporation of America	08/08/2016	3343307	16841053.8	
3344101	Nestec S.A.	18/08/2016	3344101	16753656.4	
3344561	Ligalife GmbH&Co. KG	30/08/2016	3344561	16763721.4	German
3345736	Rodolfo Comerio Srl	05/01/2017	3345736	17150443.4	
3346446	Omron Corporation	20/10/2017	3346446	17197551.9	
3346478	Siemens Aktiengesellschaft	09/01/2017	3346478	17150678.5	
3346931	AB Medica	22/08/2016	3346931	16766025.7	French
3347147	Safran Aircraft Engines	08/09/2016	3347147	16775806.9	French
3347338	Resiway-Soluções Sustentáveis, Lda.	12/09/2016	3347338	16791081.9	
3348029	HUAWEI TECHNOLOGIES CO., LTD.	07/08/2017	3348029	17791534.5	
3348858	AISIN AW CO., LTD.	12/12/2016	3348858	16873146.1	
3349130	HUAWEI TECHNOLOGIES CO., LTD.	10/06/2014	3349130	17198084.0	
3350380	Boga Gerätetechnik GmbH Karmrodt, Uwe	21/10/2016	3350380	16791340.9	German
3350493	Macgregor Norway AS	16/09/2016	3350493	16770730.6	
3351152	Zhejiang Zhongxin Cookware Co., Ltd.	22/03/2017	3351152	17162412.5	
3351739	Rolls-Royce plc	16/01/2018	3351739	18151761.6	
3352235	Bruker EAS GmbH	11/01/2018	3352235	18151152.8	German
3352263	LG Chem, Ltd.	30/03/2017	3352263	17813470.6	
3352352	Honeywell International Inc.	23/01/2018	3352352	18153106.2	
3352400	NEC Corporation	16/09/2016	3352400	16845967.5	
3353746	Qualcomm Incorporated	26/07/2016	3353746	16747700.9	
3355584	NTT DOCOMO, INC.	26/09/2003	3355584	18162792.8	
3356742	Koninklijke Philips N.V.	18/09/2016	3356742	16767260.9	
3357301	Watlow Electric Manufacturing Company	03/10/2016	3357301	16785281.3	
3357735	Kawasaki Jukogyo Kabushiki Kaisha Continental Automotive GmbH	24/05/2017	3357735	17172862.9	
3358003	FUJIFILM Corporation	29/09/2016	3358003	16851718.3	
3358072	Teijin Limited	28/09/2016	3358072	16851698.7	

---

3358110	EMKA BESCHLAGTEILE GmbH & Co. KG	01/02/2017	3358110	17154217.8	German
3358221	Motive Power Industry Co., Ltd.	10/01/2018	3358221	18150962.1	
3358304	Nissan Motor Co., Ltd.	30/09/2015	3358304	15905364.4	
3358592	SICK AG	01/02/2017	3358592	17154256.6	
3362932	Apteon S.r.l.	14/10/2016	3362932	16791693.1	
3363139	Telefonaktiebolaget LM Ericsson (publ)	02/11/2016	3363139	16795455.1	
3365416	Unilever PLC	03/10/2016	3365416	16778313.3	
3365815	Google LLC	29/12/2016	3365815	16826667.4	
3366079	Soreq Nuclear Research Center	16/10/2016	3366079	16801574.1	
3366223	Protzek Gesellschaft für Biomedizinische Technik GmbH	24/02/2017	3366223	17157882.6	German
3368773	Berling Aero IP UG (Haftungsbeschränkt)	26/09/2016	3368773	16775148.6	German
3369170	ITP GmbH - Gesellschaft Für Intelligente Textile Produkte	27/10/2016	3369170	16793791.1	German
3371310	Caribou Biosciences, Inc.	02/12/2016	3371310	16822804.7	
3371643	Carl Zeiss Vision International GmbH	06/10/2016	3371643	16779060.9	German
3372422	TOYOTA JIDOSHA KABUSHIKI KAISHA	06/03/2018	3372422	18160281.4	
3379690	Guangdong Oppo Mobile Telecommunications Corp., Ltd	14/05/2014	3379690	18172892.4	
3379994	Remidio Innovative Solutions Pvt. Ltd.	04/09/2017	3379994	17848305.3	
3380372	WABCO GmbH	14/11/2016	3380372	16797743.8	German
3380665	Hope Tree International GmbH	20/11/2017	3380665	17801451.0	German
3382139	Klemm Bohrtechnik GmbH	29/03/2017	3382139	17163583.2	German
3382332	TOPCON CORPORATION	27/03/2018	3382332	18164167.1	
3382823	Jean Müller GmbH Elektrotechnische Fabrik	27/03/2017	3382823	17163096.5	German
3384092	Guinard Energies Sarl	03/12/2015	3384092	15813088.0	French
3384229	Raytheon Company	03/10/2016	3384229	16854614.1	
3384659	Telefonaktiebolaget LM Ericsson (PUBL)	03/12/2015	3384659	15813944.4	
3385217	Fives Filling & Sealing	05/04/2018	3385217	18165934.3	French
3388069	ETH Zurich Universität Zürich	12/04/2017	3388069	17166375.0	
3391495	Wärtsilä Finland Oy	18/12/2015	3391495	15821100.3	
3394861	Gebauer & Griller Metallwerk GmbH	20/03/2017	3394861	17711216.6	German

---

3606	(No. 2386)	Patents Office Journal	(29/05/2019)		
3395338	Amgen Inc.	10/09/2004	3395338	18175495.3	
3398741	Bizerba SE & Co. KG	20/03/2018	3398741	18162694.6	German
3399098	Oradoc S.r.l.	17/04/2018	3399098	18167692.5	
3401130	Knott GmbH	16/04/2018	3401130	18167423.5	German
3404134	Well & David Corp.	18/05/2017	3404134	17020214.7	
3409739	Borealis AG	31/05/2017	3409739	17173681.2	
3410010	SWISS KRONO Tec AG	29/05/2017	3410010	17173281.1	German
3410050	Linde Aktiengesellschaft	17/05/2018	3410050	18020214.5	German
3410859	Ekim	02/02/2017	3410859	17706695.8	French
3410860	Ekim	02/02/2017	3410860	17706696.6	French
3417096	ATOTECH Deutschland GmbH	17/05/2017	3417096	17723144.6	
3418434	Groz-Beckert KG	19/06/2017	3418434	17176608.2	German
3422068	Axis AB	26/06/2017	3422068	17177830.1	
3433142	Audi AG	24/07/2017	3433142	17748691.7	German

**Grants Published in EPO Bulletin No. 19/19, dated 08<sup>th</sup> May 2019**

1200805	HONEYWELL INC.	27/07/2000	1200805	00952232.7	
1209219	Infineum International Limited	13/11/2001	1209219	01204513.4	
1241822	BlackBerry Limited	13/03/2002	1241822	02290638.2	French
1326665	Fisher & Paykel Healthcare Limited	15/10/2001	1326665	01979133.4	
1333210	Steuler Korrosionsschutz Holding GmbH	22/01/2003	1333210	03001422.9	German
1377228	Koninklijke Philips N.V.	04/03/2002	1377228	02702609.5	
1386354	Infineon Technologies Americas Corp.	22/02/2002	1386354	02790164.4	
1398599	HERE Global B.V.	10/09/2003	1398599	03255659.9	
1459602	SAINT-GOBAIN GLASS FRANCE	12/12/2002	1459602	02805796.6	French
1472194	AGC Flat Glass North America, Inc.	27/01/2003	1472194	03734945.3	
1474494	tesa SE	04/03/2002	1474494	02722172.0	German
1482917	GW Pharma Limited	03/02/2003	1482917	03734779.6	
1485996	CALIFORNIA INSTITUTE OF TECHNOLOGY	10/03/2003	1485996	03716400.1	
1495635	Arris Group, Inc.	28/03/2003	1495635	03745661.3	
1518067	NEXTER Mechanics	18/06/2003	1518067	03761623.2	French
1540702	Lumileds Holding B.V.	29/08/2003	1540702	03795138.1	
1545667	Fenwal, Inc.	31/07/2003	1545667	03785031.0	
1546838	Optalysys Ltd	11/09/2003	1546838	03798237.8	
1571867	Ericsson Inc.	23/03/2000	1571867	05007957.3	



1596979	UNIVERSITY OF SURREY	27/02/2004	1596979	04715392.9	
1606764	QUALCOMM INCORPORATED	17/03/2004	1606764	04757611.1	
1627472	Skyworks Solutions, Inc.	31/03/2004	1627472	04785586.1	
1642373	Vector Products, Inc.	22/03/2004	1642373	04757978.4	
1656737	Intel Corporation	06/08/2004	1656737	04780328.3	
1671480	Librestream Technologies Inc.	07/10/2004	1671480	04789695.6	
1675620	AMBRX, INC.	07/10/2004	1675620	04794581.1	
1680724	Panasonic Intellectual Property Corporation of America	26/08/2004	1680724	04772622.9	
1687091	Schwelling, Hermann	12/11/2004	1687091	04797851.5	German
1687514	BASF Corporation	04/11/2004	1687514	04800722.3	
1701284	Microsoft Technology Licensing, LLC	08/03/2006	1701284	06110831.2	
1703306	Microsoft Technology Licensing, LLC	24/10/2005	1703306	05109889.5	
1706471	versalis S.p.A.	13/12/2004	1706471	04803798.0	
1710522	ELECTROLUX PROFESSIONAL S.p.A.	14/03/2006	1710522	06111095.3	
1725854	Luminex Corporation	16/03/2005	1725854	05725804.8	
1729097	Mitutoyo Corporation	18/03/2005	1729097	05721111.2	
1729615	Signify North America Corporation	02/03/2005	1729615	05724343.8	
1732605	Wyeth LLC	28/03/2005	1732605	05731047.6	
1733257	Koninklijke Philips N.V.	23/03/2005	1733257	05709072.2	
1742577	Koninklijke Philips N.V.	30/03/2005	1742577	05718597.7	
1743408	Chase Corporation	18/03/2005	1743408	05731308.2	
1755303	ARRIS Enterprises LLC	02/08/2006	1755303	06254055.4	
1761768	Agroisolab GmbH Forschungszentrum Jülich GmbH	15/06/2005	1761768	05753653.4	German
1784727	Red Hat, Inc.	26/08/2005	1784727	05791686.8	
1787144	Abitibi-Géophysique Soquem	09/09/2005	1787144	05784979.6	
1807187	PIERRE FABRE MEDICAMENT	08/09/2005	1807187	05805587.2	French
1811566	Memsic, Inc.	15/01/2007	1811566	07100559.9	
1817475	GE Oil & Gas UK Limited	01/12/2005	1817475	05823765.2	
1830132	Electrolux Home Products Corporation N.V.	01/03/2007	1830132	07004204.9	German
1833009	First Data Corporation	09/03/2006	1833009	06004895.6	
1834172	Mettler-Toledo GmbH	04/01/2005	1834172	05700691.8	German
1838192	Goh Aow, Lee Lee	20/12/2005	1838192	05823916.1	
1845465	LifeScan, Inc.	30/03/2007	1845465	07251389.8	

3608	(No. 2386)	Patents Office Journal	(29/05/2019)		
1846852	Checksum LLC	09/02/2006	1846852	06734696.5	
1851811	Commissariat à l'Energie Atomique et aux Energies Alternatives	21/02/2006	1851811	06708432.7	French
1858481	Laboratoires THEA	09/03/2006	1858481	06726059.6	French
1865740	Vodafone Holding GmbH	06/06/2007	1865740	07011125.7	German
1866632	Thoms, Michael	22/03/2006	1866632	06707632.3	German
1869571	Cisco Technology, Inc.	21/03/2006	1869571	06739176.3	
1869667	Fraunhofer-Gesellschaft zur Förderung der angewandten Forschung e.V. Dolby International AB Koninklijke Philips N.V.	01/02/2006	1869667	06706552.4	
1869727	Valeo Sécurité Habitable	05/04/2006	1869727	06725590.1	French
1869820	Cisco Technology, Inc.	15/03/2006	1869820	06738276.2	
1870575	MAN Truck & Bus AG	18/05/2007	1870575	07009891.8	German
1871274	Align Technology, Inc.	03/03/2006	1871274	06736955.3	
1872497	Cisco Technology, Inc.	20/03/2006	1872497	06738947.8	
1875668	Cisco Technology, Inc.	27/03/2006	1875668	06748790.0	
1875978	Japan Metals and Chemicals Co., Ltd. National Institute of Advanced Industrial Science and Technology	02/03/2006	1875978	06728794.6	
1876787	Huawei Technologies Co., Ltd.	29/03/2007	1876787	07720596.1	
1877513	Dow Global Technologies LLC	15/03/2006	1877513	06769781.3	
1889642	L'Oréal	02/07/2007	1889642	07301201.5	French
1891287	Monkey Tower Ltd.	02/06/2006	1891287	06744340.8	
1894401	ASSIA SPE, LLC	16/03/2006	1894401	06710580.9	
1905763	Nebolsin, Vladimir Evgenievich Aksionernoe Obschestvo "Otechestvennye lekarstva"	15/06/2006	1905763	06757984.7	
1907509	W.R. GRACE & CO.-CONN.	23/03/2006	1907509	06748634.0	
1909298	Showa Denko K.K.	30/06/2006	1909298	06767695.7	
1910518	Asterias Biotherapeutics, Inc.	20/06/2006	1910518	06785229.3	
1920696	LUCART SPA	07/11/2007	1920696	07021613.0	
1924281	ST. JUDE CHILDREN'S RESEARCH HOSPITAL	28/07/2006	1924281	06813248.9	
1930959	GE Lighting Solutions, LLC	29/08/2003	1930959	08004649.3	
1935335	TOHOKU UNIVERSITY	22/08/2006	1935335	06782890.5	
1937262	IPSEN PHARMA	28/09/2006	1937262	06825239.4	
1941791	GKB Machines B.V.	04/01/2008	1941791	08075009.4	

1945357	Albemarle Netherlands BV	25/10/2006	1945357	06806547.3	
1947079	Mitsui Chemicals, Inc.	26/10/2006	1947079	06832393.0	
1954993	Tecumseh Europe Sales & Logistics	29/11/2006	1954993	06819842.3	French
1958162	Advanced Micro Devices, Inc.	15/11/2006	1958162	06820056.7	
1960823	NIKE Innovate C.V.	14/11/2006	1960823	06846295.1	
1961008	Koninklijke Philips N.V.	01/12/2006	1961008	06832035.7	
1965633	DeLaval Holding AB	20/12/2006	1965633	06835874.6	
1965847	DEBIOTECH S.A.	29/12/2006	1965847	06842700.4	
1967276	General Electric Technology GmbH	05/03/2007	1967276	07103495.3	
1968677	F.HOFFMANN-LA ROCHE AG	12/06/2006	1968677	06754303.3	German
1968686	Confluent Medical Technologies, Inc.	15/12/2006	1968686	06845731.6	
1971714	Arçelik Anonim Sirketi	08/12/2006	1971714	06819933.0	
1971998	DH Technologies Development Pte. Ltd.	11/01/2007	1971998	07701681.4	
1973116	LG Electronics Inc.	17/03/2008	1973116	08004984.4	
1973356	LG Electronics Inc.	19/03/2008	1973356	08005153.5	
1975265	Hitachi Metals, Ltd.	13/03/2006	1975265	06728997.5	
1976360	Data 4	28/03/2008	1976360	08103101.5	French
1984121	HYDROMER, INC.	16/01/2007	1984121	07718288.9	
1984837	Microsemi Frequency and Time Corporation	01/02/2007	1984837	07756590.1	
1989995	Olympus Corporation	19/03/2008	1989995	08005156.8	
1991160	Aesculap AG	03/03/2007	1991160	07723029.0	German
1993347	Novarbo Oy	06/03/2007	1993347	07712613.4	
1993517	Allergan Pharmaceuticals International Limited	07/03/2007	1993517	07789491.3	
1994514	DP Technologies, Inc.	15/03/2007	1994514	07753284.4	
1994679	Airbus Operations	07/03/2007	1994679	07731107.4	French
1996091	Karl Storz SE & Co. KG	02/03/2007	1996091	07703575.6	German
1998114	Cheng Power Systems Inc.	02/06/2008	1998114	08251915.8	
1999367	Continental Automotive Systems, Inc.	19/03/2007	1999367	07753413.9	
1999439	OptaSense Holdings Limited	08/03/2007	1999439	07712861.9	
1999818	SION POWER CORPORATION	21/03/2007	1999818	07753615.9	
2002218	OptaSense Holdings Limited	29/03/2007	2002218	07732201.4	
2005084	L'AIR LIQUIDE, Société Anonyme pour l'Etude et l'Exploitation des Procédés Georges Claude	12/03/2007	2005084	07731729.5	French
2007471	I.C. Medical, Inc.	30/08/2006	2007471	06802612.9	

3610	(No. 2386)	Patents Office Journal	(29/05/2019)		
2008081	Structural Monitoring Systems Ltd	16/03/2007	2008081	07718583.3	
2014726	Impresa Bacchi S.r.l.	28/03/2008	2014726	08153495.0	
2014923	Nortek Air Solutions, LLC	19/03/2004	2014923	08017758.7	
2025102	Cisco Technology, Inc.	06/06/2007	2025102	07795833.8	
2025150	Telecom Italia S.p.A.	31/05/2006	2025150	06754021.1	
2027577	HARMONIX MUSIC SYSTEMS, INC.	29/03/2007	2027577	07759662.5	
2037981	Alchimedics	13/06/2007	2037981	07765400.2	
2038126	De La Rue International Limited	09/07/2007	2038126	07733492.8	
2038713	ROTORK CONTROLS LIMITED	09/07/2007	2038713	07766167.6	
2040230	Gebr. Willach GmbH	18/09/2008	2040230	08164621.8	German
2040677	The University of Liverpool	29/06/2007	2040677	07765733.6	
2044392	Endress + Hauser Flowtec AG	19/07/2007	2044392	07787726.4	German
2045818	Consejo Superior de Investigaciones Científicas (CSIC)	04/07/2006	2045818	06764394.0	
2056473	Saturn Licensing LLC	22/10/2008	2056473	08253429.8	
2056476	Saturn Licensing LLC	24/10/2008	2056476	08253464.5	
2056478	Saturn Licensing LLC	24/10/2008	2056478	08253480.1	
2063881	Ko, Young Hee	15/02/2007	2063881	07750813.3	
2067296	ARRIS Enterprises LLC	23/08/2007	2067296	07814377.3	
2074503	Bombardier Transportation GmbH	31/08/2007	2074503	07841693.0	
2077229	Yamaha Hatsudoki Kabushiki Kaisha	23/12/2008	2077229	08022382.9	
2078217	Emerson Paradigm Holding LLC	01/11/2007	2078217	07827309.1	
2081217	Commissariat à l'Énergie Atomique et aux Énergies Alternatives	12/01/2009	2081217	09150375.5	French
2087446	Sony Ericsson Mobile Communications AB	29/05/2007	2087446	07736040.2	
2092035	Cabot Microelectronics Corporation	07/11/2007	2092035	07861800.6	
2092784	Telefonaktiebolaget LM Ericsson (publ)	05/11/2007	2092784	07834669.9	
2098424	KNORR-BREMSE Systeme für Schienenfahrzeuge GmbH	05/03/2009	2098424	09003171.7	German
2099178	Telefonaktiebolaget LM Ericsson (publ)	03/03/2008	2099178	08152212.0	
2101678	Nobel Biocare Services AG	17/01/2007	2101678	07726200.4	
2102721	Juniper Networks, Inc.	22/08/2007	2102721	07841188.1	
2103887	Stiebel Eltron GmbH & Co. KG	20/03/2009	2103887	09004016.3	German
2105095	Olympus Corporation	27/03/2009	2105095	09004455.3	
2105494	Diversey, Inc.	25/03/2008	2105494	08005457.0	
2107098	Valmet Technologies Oy	26/03/2009	2107098	09397507.6	
2107660	Gustav Hensel GmbH & Co. KG	27/02/2009	2107660	09002863.0	German

---

2108890	BSH Hausgeräte GmbH	31/03/2009	2108890	09100212.1	German
2111640	Cree, Inc.	22/01/2008	2111640	08728021.0	
2115060	Akzo Nobel Chemicals International B.V.	03/03/2008	2115060	08716188.1	
2117079	BlackBerry Limited	31/07/2008	2117079	08161563.5	
2117897	KNORR-BREMSE Systeme für Nutzfahrzeuge GmbH	07/02/2008	2117897	08707594.1	German
2119030	Telefonaktiebolaget LM Ericsson (publ)	18/10/2007	2119030	07835339.8	
2119051	Samsung Electronics Co., Ltd.	01/02/2008	2119051	08712279.2	
2119544	Toray Industries, Inc.	23/01/2008	2119544	08703705.7	
2119558	Fuji Seal International, Inc.	07/02/2007	2119558	07706309.7	
2120283	The Boeing Company	19/03/2009	2120283	09075125.6	
2120566	Idenix Pharmaceuticals LLC Centre National de la Recherche Scientifique Université de Montpellier	28/12/2007	2120566	07872645.2	
2120637	Colgate-Palmolive Company	12/12/2007	2120637	07855074.6	
2122344	Oxford Nanopore Technologies Limited	18/02/2008	2122344	08709448.8	
2122682	ABB Research Ltd	21/12/2006	2122682	06817774.0	
2124705	Intuitive Surgical Operations, Inc.	29/01/2008	2124705	08714117.2	
2124837	Warsaw Orthopedic, Inc.	11/01/2007	2124837	07710057.6	
2125215	UNIVERSITY OF THE WEST OF ENGLAND, BRISTOL	25/03/2008	2125215	08718830.6	
2127009	LG Fuel Cell Systems Inc.	18/01/2008	2127009	08727939.4	
2127635	Shiseido Company, Ltd.	21/03/2008	2127635	08720548.0	
2127850	Toyo Seikan Kaisha, Ltd.	28/03/2008	2127850	08739149.6	
2129452	TOTAL MARKETING SERVICES	14/02/2008	2129452	08761883.1	French
2129518	Imerys Filtration Minerals, Inc.	22/03/2008	2129518	08732726.8	
2130002	Endress+Hauser Flowtec AG	18/03/2008	2130002	08717972.7	German
2132583	THE UNIVERSITY OF QUEENSLAND	26/03/2008	2132583	08714467.1	
2138133	Tequir, S.L.	26/11/2007	2138133	07858256.6	
2138716	SIEMENS GAMESA RENEWABLE ENERGY INNOVATION & TECHNOLOGY, S.L.	25/06/2009	2138716	09008602.6	
2141219	Nippon Oil Corporation	11/03/2008	2141219	08721797.2	
2153464	Heptagon Micro Optics Pte. Ltd.	19/03/2008	2153464	08714772.4	
2155625	Cementa AB	20/05/2008	2155625	08761682.7	

---

3612	(No. 2386)	Patents Office Journal	(29/05/2019)		
2157930	St. Jude Medical International Holding S.à r.l.	23/05/2008	2157930	08826173.0	
2160899	Fraunhofer-Gesellschaft zur Förderung der angewandten Forschung e.V.	01/07/2008	2160899	08773798.7	
2161828	TOYOTA JIDOSHA KABUSHIKI KAISHA	12/06/2008	2161828	08765742.5	
2161953	NTT DoCoMo, Inc.	09/09/2009	2161953	09169862.1	
2167760	Steeldeck Industries Limited	03/06/2008	2167760	08762243.7	
2167890	Trane International Inc.	16/05/2008	2167890	08767753.0	
2168401	BlackBerry Limited	16/07/2008	2168401	08832255.7	
2175921	St. Jude Medical, Cardiology Division, Inc.	25/10/2007	2175921	07852923.7	
2175985	IFP Energies nouvelles	18/06/2008	2175985	08826442.9	French
2177576	Mitsubishi Electric Corporation	29/07/2009	2177576	09166730.3	
2179652	ABiTEP GmbH Gesellschaft für AgroBioTechnische Entwicklung und Produktion	10/09/2008	2179652	08015973.4	German
2180897	The Board of Trustees of The Leland Stanford Junior University	25/06/2008	2180897	08771927.4	
2184010	Kato, Toshinori	27/06/2008	2184010	08777674.6	
2184549	Mitsubishi Electric Corporation	29/07/2009	2184549	09166734.5	
2184720	Glory Ltd.	30/08/2007	2184720	07806393.0	
2187220	Symex Corporation	16/11/2009	2187220	09014282.9	
2187419	Zheng, Chunkai	16/11/2009	2187419	09014290.2	German
2189109	The University of Tokyo Kabushiki Kaisha TOPCON	09/09/2008	2189109	08830716.0	
2195277	P&T Global Solutions, LLC	15/09/2008	2195277	08832539.4	
2195648	President and Fellows of Harvard College	12/09/2008	2195648	08830263.3	
2195715	Rosemount Inc.	23/09/2008	2195715	08833393.5	
2197655	KHS Corpoplast GmbH	08/07/2008	2197655	08784321.5	German
2198542	HMD Global Oy	03/10/2008	2198542	08835627.4	
2200554	Flexyfoot Limited	04/09/2008	2200554	08788528.1	
2203071	Tereos Starch & Sweeteners Belgium	29/10/2007	2203071	07821983.9	
2203266	CML International S.p.A.	15/09/2008	2203266	08834239.9	
2206272	Novatel, Inc.	03/11/2008	2206272	08844532.5	
2208088	University of Washington	03/11/2008	2208088	08844426.0	
2208502	Terumo BCT, Inc.	10/12/2002	2208502	10003389.3	

---

2209496	VANDERBILT UNIVERSITY	05/11/2008	2209496	08846997.8	
2210667	EPPENDORF AG	19/01/2009	2210667	09000662.8	German
2210673	Koninklijke Zeelandia Groep B.V.	22/01/2009	2210673	09151158.4	
2211747	Liang, Junzhong	28/10/2008	2211747	08844582.0	
2214549	Ethicon Endo-Surgery, Inc.	30/10/2008	2214549	08844099.5	
2214818	IFP Energies nouvelles	24/10/2008	2214818	08871363.1	French
2214928	Adient Luxembourg Holding S.à r.l.	29/10/2008	2214928	08844307.2	German
2217224	BASF AS	06/11/2008	2217224	08846228.8	
2217375	NIPRO DIAGNOSTICS, INC.	30/10/2008	2217375	08844528.3	
2217948	Total S.A.	03/11/2008	2217948	08847957.1	
2219039	Tektronix, Inc.	08/02/2010	2219039	10152951.9	
2219341	Telia Company AB	16/02/2009	2219341	09152906.5	
2220272	E. I. du Pont de Nemours and Company	10/12/2008	2220272	08859962.6	
2220449	Umicore AG & Co. KG	24/11/2008	2220449	08853545.5	German
2221357	Budich International GmbH	20/01/2010	2221357	10000528.9	German
2222821	Kovosta-fluid, akciová společnost	14/08/2008	2222821	08801028.5	
2223702	Tomita Pharmaceutical Co., Ltd.	08/09/2008	2223702	08857578.2	
2223736	Kubota Corporation	27/11/2008	2223736	08860780.9	
2224127	General Electric Company	05/02/2010	2224127	10152746.3	
2224170	Honeywell International Inc.	05/02/2010	2224170	10152853.7	
2224306	The Boeing Company	01/03/2010	2224306	10155029.1	
2226155	SUMCO Corporation	22/02/2010	2226155	10154263.7	
2228821	General Electric Company	08/03/2010	2228821	10155717.1	
2230143	KNORR-BREMSE Systeme für Schienenfahrzeuge GmbH	09/03/2010	2230143	10155969.8	German
2232447	Advanced Micro Devices, Inc.	23/12/2008	2232447	08866336.4	
2233272	Auray Plast	15/03/2010	2233272	10290135.2	French
2233533	The Boeing Company	05/03/2010	2233533	10250396.8	
2233808	Nabtesco Corporation	25/03/2010	2233808	10157727.8	
2234023	Sun Chemical Corporation	20/05/2005	2234023	10167576.7	
2234917	Robert Bosch GmbH	20/10/2008	2234917	08862452.3	German
2235464	INGERSOLL-RAND COMPANY	13/11/2008	2235464	08858602.9	
2235807	SolarCity Corporation	19/12/2008	2235807	08865007.2	
2236922	BSH Hausgeräte GmbH	04/03/2010	2236922	10155433.5	German
2238459	F. Hoffmann-La Roche AG	21/01/2009	2238459	09703240.3	
2239446	Mazda Motor Corporation	30/03/2010	2239446	10003472.7	
2239539	Honeywell International Inc.	10/03/2010	2239539	10156147.0	
2241027	Samsung Electronics Co., Ltd.	07/01/2009	2241027	09708920.5	

---

3614	(No. 2386)	Patents Office Journal	(29/05/2019)		
2241174	CNH Industrial Belgium nv	01/04/2010	2241174	10158952.1	
2242968	LG Electronics Inc.	17/12/2008	2242968	08872653.4	
2242992	THALES	11/02/2009	2242992	09710391.5	French
2243162	International Business Machines Corporation	28/01/2009	2243162	09705653.5	
2244133	Canon Kabushiki Kaisha	04/03/2010	2244133	10155435.0	
2244189	Empire Technology Development LLC	25/02/2010	2244189	10154699.2	
2246252	ThyssenKrupp Marine Systems GmbH	24/03/2010	2246252	10003112.9	German
2246595	Aisin AW Co., Ltd.	11/09/2009	2246595	09813152.7	
2250725	Schneider Electric Industries SAS	12/02/2009	2250725	09717285.2	French
2250802	Global Scanning Denmark A/S	06/02/2009	2250802	09745588.5	
2254469	Koninklijke Philips N.V.	11/03/2009	2254469	09721901.8	
2254499	Kaltenbach & Voigt GmbH	13/03/2009	2254499	09720092.7	German
2255222	Microseismic, Inc.	16/03/2009	2255222	09722802.7	
2255508	Cisco Technology, Inc.	04/03/2009	2255508	09725358.7	
2255524	Apple Inc.	14/03/2008	2255524	08716550.2	
2255585	LG Electronics Inc.	13/03/2009	2255585	09721752.5	
2256169	TOYO ALUMINIUM KABUSHIKI KAISHA	05/03/2009	2256169	09718605.0	
2256319	Honeywell International Inc.	25/02/2010	2256319	10154597.8	
2256916	Mitsubishi Electric Corporation	18/03/2009	2256916	09721474.6	
2256951	QUALCOMM Incorporated	15/03/2005	2256951	10176862.0	
2257021	China Iwncomm Co., Ltd	04/03/2009	2257021	09717387.6	
2257057	National University Corporation Hokkaido University	18/03/2009	2257057	09721452.2	
2258748	Sanyo Chemical Industries, Ltd.	23/03/2009	2258748	09724516.1	
2260413	British Telecommunications public limited company	18/02/2009	2260413	09724138.4	
2261551	Panasonic Intellectual Property Management Co., Ltd.	24/03/2009	2261551	09725294.4	
2262127	Intel Corporation	25/08/2004	2262127	10178417.1	
2262417	Koninklijke Philips N.V.	04/03/2009	2262417	09719630.7	
2262939	Crawford Textile Consulting, LLC	18/03/2009	2262939	09721263.3	
2265229	Institut National de la Santé et de la Recherche Médicale (INSERM)	12/03/2009	2265229	09726457.6	French
2265673	3D Systems, Inc.	12/03/2009	2265673	09720126.3	
2265840	Damptech A/S	13/03/2009	2265840	09719743.8	
2268141	Wellstat Therapeutics Corporation	13/03/2009	2268141	09762990.1	



---

2270515	ARKRAY, Inc.	30/03/2009	2270515	09733832.1	
2271847	Gustav Magenwirth GmbH & Co. KG	27/03/2009	2271847	09728729.6	German
2272132	Telezygology Inc.	31/03/2009	2272132	09726772.8	
2272160	Eaton Industries Manufacturing GmbH	27/03/2009	2272160	09724669.8	
2272747	National Institute of Maritime, Port and Aviation Technology	31/03/2009	2272747	09727111.8	
2273704	EM Microelectronic-Marin SA	06/07/2010	2273704	10168581.6	French
2273712	QUALCOMM Incorporated	21/03/2006	2273712	10011887.6	
2274514	Blade Dynamics Limited	30/03/2009	2274514	09725403.1	
2276900	XSPatforms Holding B.V.	04/10/2007	2276900	07834622.8	
2278633	LG Innotek Co., Ltd.	12/07/2010	2278633	10169315.8	
2282797	Schultheiss, Carolin Schultheiss, Georg	24/03/2009	2282797	09723966.9	German
2283515	International Business Machines Corporation	22/05/2009	2283515	09759016.0	
2287037	AISIN SEIKI KABUSHIKI KAISHA	19/08/2010	2287037	10173444.0	
2289856	AGC Flat Glass North America, Inc.	27/01/2003	2289856	10183842.3	
2290632	Schneider Electric Industries SAS	11/06/2010	2290632	10354029.0	French
2290689	LG Innotek Co., Ltd.	27/08/2010	2290689	10174294.8	
2292022	HERE Global B.V.	18/05/2009	2292022	09769405.3	
2293905	Bia	11/05/2009	2293905	09741912.1	French
2293945	Fujifilm Dimatix, Inc.	22/05/2009	2293945	09751676.9	
2298440	Mitsui Mining and Smelting Co., Ltd.	06/07/2009	2298440	09794407.8	
2299280	SYSMEX CORPORATION	15/09/2010	2299280	10176806.7	
2300670	Mcalpine & Company Limited	29/05/2009	2300670	09754124.7	
2301016	Fraunhofer-Gesellschaft zur Förderung der angewandten Forschung e.V.	30/06/2009	2301016	09793876.5	
2301071	Cree, Inc.	29/05/2009	2301071	09758707.5	
2301139	Magnumatics Limited	29/05/2009	2301139	09757749.8	
2302692	Sharp Kabushiki Kaisha	01/07/2009	2302692	09773505.4	
2304941	Avaya Inc.	22/06/2009	2304941	09769678.5	
2305601	NEC Corporation	18/06/2009	2305601	09773369.5	
2313921	International Business Machines Corporation	28/07/2009	2313921	09805365.5	
2314319	Norgine BV	24/10/2003	2314319	10179628.2	
2314639	Mitsubishi Chemical Corporation	10/08/2009	2314639	09806704.4	
2315743	Callery, LLC	10/07/2009	2315743	09780449.6	
2316052	Ricoh Company, Ltd.	04/08/2009	2316052	09809766.0	

---

3616	(No. 2386)	Patents Office Journal	(29/05/2019)		
2316185	Samsung Electronics Co., Ltd.	20/08/2009	2316185	09808402.3	
2317694	ZTE Corporation	17/12/2008	2317694	08876701.7	
2317778	WIDEX A/S	03/03/2006	2317778	10194682.0	
2318024	Beiersdorf AG	08/07/2009	2318024	09777023.4	German
2320691	China Iwncomm Co., Ltd	20/08/2009	2320691	09807889.2	
2324797	Carl Zeiss Meditec SAS	12/11/2010	2324797	10191069.3	
2324834	Fibrogen, Inc.	06/12/2002	2324834	10181843.3	
2325155	AdvanSix Resins & Chemicals LLC	13/01/2007	2325155	11157694.8	
2325593	MAHLE Behr France Hambach S.A.S	19/11/2009	2325593	09290872.2	German
2325737	Orange	21/10/2010	2325737	10188375.9	French
2327134	Schneider Electric IT Corporation	20/08/2009	2327134	09791726.4	
2328688	Ecotech Recycling Ltd.	12/08/2009	2328688	09787531.4	
2331560	Lipotec, S.A.	02/10/2009	2331560	09778806.1	
2334292	Fresenius Medical Care Holdings, Inc.	16/10/2009	2334292	09753247.7	
2334897	WEATHERFORD TECHNOLOGY HOLDINGS, LLC	01/10/2009	2334897	09785714.8	
2335100	Giesecke+Devrient Currency Technology GmbH	15/09/2009	2335100	09744940.9	German
2336021	The Boeing Company	09/12/2010	2336021	10194350.4	
2337597	Becton, Dickinson and Company	18/09/2009	2337597	09815254.9	
2338176	Siemens Aktiengesellschaft	19/10/2009	2338176	09748277.2	German
2338789	Nabtesco Corporation	14/12/2010	2338789	10194922.0	
2339183	Sharp Kabushiki Kaisha	09/10/2009	2339183	09821939.7	
2339323	Vysoka Skola Banska-Technicka Univerzita	05/06/2009	2339323	09466006.5	
2345960	LG Electronics Inc.	04/06/2010	2345960	10164912.7	
2347366	Fortinet, Inc.	09/09/2009	2347366	09785598.5	
2347756	Veloxis Pharmaceuticals A/S	05/07/2002	2347756	10186171.4	
2347762	Amylin Pharmaceuticals, LLC AstraZeneca Pharmaceuticals LP	18/08/2006	2347762	10016112.4	
2349880	CONCEPTION IMPACK DTCI INC.	14/07/2009	2349880	09797321.8	
2350171	versalis S.p.A.	05/11/2009	2350171	09756671.5	
2351231	Microsemi Solutions SDN. BHD.	13/11/2009	2351231	09826845.1	
2353056	Analog Devices, Inc.	24/11/2009	2353056	09775400.6	
2355909	Align Technology, Inc.	06/11/2009	2355909	09760589.3	
2356863	QUALCOMM Incorporated	30/10/2009	2356863	09752248.6	
2359457	Schneider Electric IT Corporation	15/10/2009	2359457	09830782.0	
2360374	LM Wind Power A/S	08/10/2009	2360374	09172597.8	

2361188	SICPA HOLDING SA	24/11/2009	2361188	09759730.6	
2362279	Montres Breguet SA	26/02/2010	2362279	10154767.7	French
2366458	Koki Holdings Co., Ltd.	01/03/2011	2366458	11001701.9	
2366668	Canon Kabushiki Kaisha Fuji Chemical Co., Ltd.	14/03/2011	2366668	11158013.0	
2367637	Illinois Tool Works Inc.	22/12/2009	2367637	09835791.6	
2368447	Ashlock Company, A Division of Vistan Corporation	21/03/2011	2368447	11158965.1	
2369155	Rolls-Royce plc	10/03/2011	2369155	11157612.0	
2369561	Aug. Winkhaus GmbH & Co. KG	08/03/2011	2369561	11157333.3	German
2369775	LG ELECTRONICS INC.	08/03/2011	2369775	11001911.4	
2370623	Zephyros Inc.	04/12/2009	2370623	09829894.6	
2372175	LEONARDO S.P.A.	08/03/2011	2372175	11157281.4	
2372535	Electric Cloud, Inc.	22/03/2004	2372535	11161787.4	
2372536	Electric Cloud, Inc.	22/03/2004	2372536	11161789.0	
2372768	Sony Semiconductor Solutions Corporation	22/03/2011	2372768	11002388.4	
2374482	Sterlab	30/03/2011	2374482	11160359.3	French
2374657	BOMAG GmbH	14/03/2011	2374657	11002098.9	German
2374911	Rolls-Royce plc	09/03/2011	2374911	11157432.3	
2375860	Panasonic Intellectual Property Management Co., Ltd.	30/03/2011	2375860	11002643.2	
2376849	BSH Hausgeräte GmbH	13/11/2009	2376849	09749149.2	German
2378127	KSB SE & Co. KGaA	24/03/2011	2378127	11159500.5	German
2378331	SEI Optifrontier Co., Ltd. Sumitomo Electric Industries, Ltd.	27/10/2010	2378331	10826766.7	
2380793	TOYOTA JIDOSHA KABUSHIKI KAISHA	22/12/2008	2380793	08879106.6	
2381195	Samsung Electronics Co., Ltd.	30/03/2011	2381195	11160426.0	
2381572	Robert Bosch GmbH SEG Automotive Germany GmbH	28/02/2011	2381572	11156122.1	German
2381671	Canon Kabushiki Kaisha	02/03/2011	2381671	11156600.6	
2381821	SEB S.A.	16/12/2009	2381821	09802190.0	French
2381916	Intendis GmbH	22/12/2009	2381916	09801418.6	
2383007	Innova Salud Desarrollos Sanitários, S.L.	29/01/2010	2383007	10735489.6	
2383290	RSR LIMITED	21/08/2002	2383290	11158927.1	
2383895	Panasonic Corporation	25/12/2009	2383895	09834515.0	

3618	(No. 2386)	Patents Office Journal	(29/05/2019)		
2384388	Fluor Technologies Corporation	16/12/2009	2384388	09836879.8	
2384527	Trojan Services Limited	28/01/2010	2384527	10704179.0	
2386463	Volkswagen Aktiengesellschaft	29/03/2011	2386463	11002567.3	German
2386895	Canon Kabushiki Kaisha	12/05/2011	2386895	11165816.7	
2389352	The Trustees of The University of Pennsylvania	26/01/2010	2389352	10734002.8	
	AstraZeneca UK Limited				
2390153	Robert Bosch GmbH	09/03/2011	2390153	11157496.8	German
2390429	fischerwerke GmbH & Co. KG	03/05/2011	2390429	11401504.3	German
2390484	Hamilton Sundstrand Corporation	26/05/2011	2390484	11167781.1	
2390606	LASCO Heutechnik GmbH	19/05/2011	2390606	11004146.4	German
2393808	Merck Sharp & Dohme Corp.	03/02/2010	2393808	10703403.5	
2394250	Bundesdruckerei GmbH	03/02/2010	2394250	10705107.0	German
2394312	Koninklijke Philips N.V.	27/01/2010	2394312	10703693.1	
2395292	Mitsubishi Electric Corporation	15/09/2009	2395292	09839690.6	
2395400	Konica Minolta Business Technologies, Inc.	10/06/2011	2395400	11169484.0	
2395799	BlackBerry Limited	26/10/2010	2395799	10188835.2	
2396073	Incube Labs, Llc	03/02/2010	2396073	10741574.7	
2396741	Biomet Manufacturing, LLC	12/02/2010	2396741	10705951.1	
2397338	CANON KABUSHIKI KAISHA	15/06/2011	2397338	11170030.8	
2397789	Mitsubishi Electric Corporation	15/01/2010	2397789	10741132.4	
2401176	Magna Electronics	25/02/2010	2401176	10746894.4	
2401290	DirectSens GmbH	26/02/2010	2401290	10705393.6	
2402460	Caliper Life Sciences, Inc.	09/02/2007	2402460	11159467.7	
	Canon U.S. Life Sciences, Inc.				
2402898	LG Electronics Inc.	09/03/2011	2402898	11001953.6	
2403230	Konica Minolta Business Technologies, Inc.	30/06/2011	2403230	11172252.6	
2403799	NXP B.V.	04/03/2010	2403799	10710642.9	
2404057	Windjoule Ltd	09/03/2010	2404057	10707902.2	
2404146	Micro Motion, Inc.	01/03/2010	2404146	10705773.9	
2405591	Panasonic Intellectual Property Corporation of America	01/03/2010	2405591	10748480.0	
2405819	Volcano Corporation	08/03/2010	2405819	10751228.7	
2406389	Agios Pharmaceuticals, Inc.	12/03/2010	2406389	10751525.6	
2406841	Daimler AG	12/03/2010	2406841	10751492.9	
	Ford Motor Company				

2407073	LG Electronics Inc.	13/03/2009	2407073	09841543.3	
2407838	Haier US Appliance Solutions, Inc.	12/07/2011	2407838	11173554.4	
2407847	Vorwerk & Co. Interholding GmbH	17/06/2011	2407847	11170289.0	German
2408027	Showa Denko K.K.	03/03/2010	2408027	10750511.7	
2408394	3Shape A/S	18/03/2010	2408394	10722922.1	
2408842	Rhodia Opérations	09/03/2010	2408842	10707897.4	French
2409134	Koninklijke Philips N.V.	15/03/2010	2409134	10710907.6	
2409159	Inpeco Holding Ltd	12/03/2010	2409159	10707933.7	
2409195	ASML Netherlands BV	17/12/2009	2409195	09799331.5	
2410879	Advanced Bionutrition Corporation	24/03/2010	2410879	10756764.6	
2410949	Globus Medical, Inc.	27/03/2010	2410949	10756983.2	
2411125	Wyeth LLC	24/03/2010	2411125	10723831.3	
2411793	Parker-Hannifin Corporation	25/03/2010	2411793	10756870.1	
2411861	CRT Technology, Inc.	25/03/2010	2411861	10756863.6	
2411963	Koninklijke Philips N.V.	18/03/2010	2411963	10711470.4	
2411977	Sirius XM Connected Vehicle Services Inc.	24/03/2010	2411977	10756745.5	
2412144	Telefonaktiebolaget LM Ericsson (publ)	25/03/2009	2412144	09842395.7	
2412362	Shiseido Company, Ltd.	18/03/2010	2412362	10755965.0	
2412926	United Technologies Corporation	14/07/2011	2412926	11173975.1	
2413065	Mitsubishi Electric Corporation	19/03/2010	2413065	10755635.9	
2413772	LG Electronics Inc.	12/03/2010	2413772	10758960.8	
2414284	Oxford University Innovation Limited	03/03/2010	2414284	10707953.5	
2414681	Honeywell International Inc.	23/03/2010	2414681	10759221.4	
2414751	LG Electronics Inc.	16/03/2010	2414751	10758966.5	
2414873	Lumileds Holding B.V.	11/03/2010	2414873	10712781.3	
2414958	Honeywell International Inc.	23/03/2010	2414958	10764816.4	
2414991	GE Healthcare Bio-Sciences Corp.	17/03/2010	2414991	10759197.6	
2415242	Continental Teves AG & Co. OHG	15/03/2010	2415242	10709828.7	German
2415540	Sintokogio, Ltd. Fujiwa Denki Co., Ltd.	19/03/2010	2415540	10758450.0	
2415673	Nabtesco Corporation	01/08/2011	2415673	11176181.3	
2416232	NEC Corporation	31/03/2010	2416232	10758778.4	
2416461	NGK SPARK PLUG CO., LTD.	17/03/2010	2416461	10758189.4	
2416708	Erasmus University Medical Center Rotterdam	01/04/2009	2416708	09788174.2	
2416714	Erbe Elektromedizin GmbH	10/03/2010	2416714	10708929.4	German
2417780	Marvell World Trade Ltd.	14/03/2010	2417780	10761252.5	

3620	(No. 2386)	<i>Patents Office Journal</i>		(29/05/2019)	
2418416	Société de Force et Lumière Electriques	08/08/2011	2418416	11290365.3	French
2420651	Borgwarner Inc.	25/07/2011	2420651	11175184.8	German
2420772	Wild, Johannes	12/07/2011	2420772	11450090.3	German
2421136	Murata Manufacturing Co., Ltd.	26/03/2010	2421136	10764345.4	
2421137	Murata Manufacturing Co., Ltd.	26/03/2010	2421137	10764346.2	
2423331	The General Hospital Corporation Dana-Farber Cancer Institute, Inc.	31/03/2005	2423331	11178200.9	
2423837	HTC Corporation	25/08/2011	2423837	11178784.2	
2424899	Roquette Frères	29/04/2010	2424899	10727063.9	French
2426052	ROSEMOUNT AEROSPACE INC.	26/08/2011	2426052	11250743.9	
2426999	Qualcomm Incorporated	05/07/2006	2426999	11191628.4	
2428684	Mitsubishi Heavy Industries, Ltd.	10/08/2010	2428684	10834418.5	
2428989	Fujitsu Limited	14/06/2011	2428989	11169866.8	
2429140	ZTE Corporation	19/11/2009	2429140	09846403.5	
2431657	Automotive Lighting Reutlingen GmbH	02/09/2011	2431657	11179902.9	German
2433412	Cisco Technology, Inc.	17/05/2010	2433412	10723854.5	
2433422	Sony Corporation	24/03/2011	2433422	11762203.5	
2433933	Sumitomo Chemical Company, Limited	19/05/2010	2433933	10777857.3	
2434808	ZTE Corporation	21/05/2010	2434808	10777388.9	
2434938	Smart Medical Systems Ltd.	30/05/2010	2434938	10780156.5	
2435717	Volvo Construction Equipment AB	29/05/2009	2435717	09845306.1	
2436419	Integra LifeSciences Switzerland Sàrl	28/09/2011	2436419	11183166.5	
2437038	Raytheon Company	30/08/2011	2437038	11179308.9	
2438630	Philips Lumileds Lighting Company (Holding) B.V. Koninklijke Philips N.V.	27/05/2010	2438630	10727926.7	
2439284	The General Hospital Corporation Dana-Farber Cancer Institute, Inc.	31/03/2005	2439284	11178194.4	
2439285	The General Hospital Corporation Dana-Farber Cancer Institute, Inc.	31/03/2005	2439285	11178202.5	
2439623	Sony Corporation	02/08/2011	2439623	11176327.2	
2441462	BioCrine AB	01/09/2008	2441462	12000170.6	
2442183	Ninestar Corporation	29/03/2010	2442183	10785675.9	
2446822	The Yoshida Dental Mfg. Co., Ltd.	21/06/2010	2446822	10792037.3	
2447006	Black & Decker Inc.	28/09/2011	2447006	11183126.9	
2447375	The General Hospital Corporation Dana-Farber Cancer Institute, Inc.	31/03/2005	2447375	11178198.5	
2447638	LG Electronics Inc.	04/10/2011	2447638	11008030.6	

---

2447729	NGK Insulators, Ltd.	11/06/2010	2447729	10791985.4	
2448080	SIEMENS GAMESA RENEWABLE ENERGY INNOVATION & TECHNOLOGY, S.L.	02/09/2011	2448080	11007123.0	
2449865	Fraunhofer-Gesellschaft zur Förderung der angewandten Forschung e.V. Technische Universität Berlin	29/06/2010	2449865	10730382.8	German
2450196	Giesecke+Devrient Currency Technology GmbH	07/11/2011	2450196	11008846.5	German
2450640	Zehnder Group Lenham Limited	09/11/2011	2450640	11188512.5	
2450771	Honeywell International Inc.	31/10/2011	2450771	11187353.5	
2450782	Intel Corporation	31/12/2009	2450782	11192594.7	
2450851	Shenzhen Taishan Online Technology Co., Ltd.	05/03/2010	2450851	10793520.7	
2451032	Sony Corporation Tohoku University	05/10/2011	2451032	11008076.9	
2451731	Lamb Weston, Inc.	09/07/2010	2451731	10797946.0	
2452073	Carrier Corporation	24/05/2010	2452073	10797488.3	
2453693	China Academy of Telecommunications Technology	09/07/2010	2453693	10796741.6	
2453877	Polypid Ltd.	14/07/2010	2453877	10799520.1	
2454909	Qualcomm Incorporated	14/07/2010	2454909	10733131.6	
2456466	University of Utah Research Foundation	23/07/2010	2456466	10802933.1	
2457768	Panasonic Intellectual Property Management Co., Ltd.	19/07/2010	2457768	10802019.9	
2457881	Corning Incorporated	30/11/2010	2457881	10306317.8	
2458760	Sanechips Technology Co., Ltd.	13/06/2010	2458760	10788933.9	
2459090	Medtronic Cryocath LP	23/07/2010	2459090	10803771.4	
2460094	Hewlett Packard Enterprise Development LP	14/12/2009	2460094	09847948.8	
2463599	Mitsubishi Electric Corporation	24/12/2009	2463599	09848080.9	
2464100	Sony Corporation	06/12/2011	2464100	11192086.4	
2464286	Aurum Biosciences Limited	03/09/2010	2464286	10752615.4	
2464686	Union Carbide Chemicals & Plastics Technology LLC	02/08/2010	2464686	10744776.5	
2466928	ZTE Corporation	18/05/2010	2466928	10811160.0	

---

3622	(No. 2386)	Patents Office Journal	(29/05/2019)		
2468598	TOYOTA JIDOSHA KABUSHIKI KAISHA	11/12/2009	2468598	09852069.5	
2469587	Mitsuboshi Diamond Industrial Co., Ltd.	20/12/2011	2469587	11194495.5	
2470976	ATI Technologies ULC	19/10/2010	2470976	10824532.5	
2471014	Zeewise, Inc.	13/07/2010	2471014	10812459.5	
2471100	TRANSPHORM INC.	20/08/2010	2471100	10815813.0	
2471184	Robert Bosch GmbH	03/08/2010	2471184	10739616.0	German
2471778	Dainichiseika Color & Chemicals Mfg. Co., Ltd.	29/10/2010	2471778	10826849.1	
2472102	Soilmec S.p.A.	29/12/2011	2472102	11196070.4	
2472118	Mitsubishi Electric Corporation	07/09/2010	2472118	10818529.9	
2472438	Toppan Printing Co., Ltd.	25/08/2010	2472438	10811893.6	
2472973	Telefonaktiebolaget LM Ericsson (publ)	30/12/2010	2472973	10306538.9	
2473139	THE CLEVELAND CLINIC FOUNDATION	27/08/2010	2473139	10812643.4	
2473918	Intel Corporation	03/09/2010	2473918	10768085.2	
2475155	Mitel Networks Corporation	21/09/2011	2475155	11182156.7	
2475879	National Oilwell Varco, L.P.	26/03/2010	2475879	10815767.8	
2476590	NSK Ltd.	06/09/2011	2476590	11767151.1	
2477217	Mitsubishi Materials Corporation	07/09/2010	2477217	10815351.1	
2478089	Phycoil Biotechnology International, Inc.	17/09/2010	2478089	10817922.7	
2478464	VIION Systems Inc.	14/09/2010	2478464	10814860.2	
2479406	United Technologies Corporation	16/01/2012	2479406	12151296.6	
2479672	Keihin Corporation	14/09/2010	2479672	10817165.3	
2482436	Shindengen Electric Manufacturing Co., Ltd.	13/07/2011	2482436	11806491.4	
2483870	Universal City Studios LLC	13/07/2010	2483870	10737153.6	
2484871	United Technologies Corporation	03/02/2012	2484871	12153837.5	
2484911	Gardner Denver Oy	02/02/2012	2484911	12153581.9	
2485568	Sumitomo Chemical Company, Limited	22/09/2010	2485568	10820413.2	
2487439	General Electric Technology GmbH	14/02/2011	2487439	11154391.4	
2488429	M-Solv Limited	13/10/2009	2488429	09765149.1	
2488672	Safran Aircraft Engines	11/10/2010	2488672	10781969.0	French
2490341	Sony Corporation	09/02/2012	2490341	12154645.1	
2490433	Brother Kogyo Kabushiki Kaisha	01/02/2012	2490433	12153501.7	
2494759	Siemens Aktiengesellschaft	02/09/2010	2494759	10754447.0	German



---

2495233	KABUSHIKI KAISHA SANGI Kochi University	25/10/2010	2495233	10826314.6	
2495888	Fujitsu Limited	12/01/2012	2495888	12150907.9	
2496064	Väderstad Holding AB	05/11/2010	2496064	10828626.1	
2497212	Xieon Networks S.à r.l.	02/11/2009	2497212	09749070.0	
2497619	Krones AG	10/02/2012	2497619	12154911.7	German
2498042	Zimmer, Günther Zimmer, Martin	09/03/2012	2498042	12001632.4	German
2498285	Fuji Electric Co., Ltd.	06/03/2012	2498285	12158245.6	
2498861	Baxter International Inc. Baxter Healthcare S.A.	09/11/2010	2498861	10779396.0	
2499570	Bull SAS	28/10/2010	2499570	10790584.6	French
2500716	Alfavisio GmbH & Co. KG	15/03/2012	2500716	12159712.4	German
2500797	Sony Corporation	14/03/2012	2500797	12159386.7	
2500814	LG Electronics Inc.	09/03/2012	2500814	12158954.3	
2502780	Volvo Car Corporation	23/03/2011	2502780	11159339.8	
2504363	Alethia Biotherapeutics Inc. National Research Council of Canada	24/11/2010	2504363	10832474.0	
2504605	BeijingWest Industries Co., Ltd	23/11/2010	2504605	10832361.9	
2504606	BeijingWest Industries Co., Ltd	23/11/2010	2504606	10832357.7	
2504816	Thomson Licensing	18/11/2010	2504816	10777033.1	French
2505128	Nidek co., Ltd.	30/03/2012	2505128	12002316.3	
2505748	ABUS August Bremicker Söhne KG	28/03/2012	2505748	12002216.5	German
2505905	Aktiebolaget SKF	21/03/2012	2505905	12160542.2	German
2506091	Cartier International AG	21/03/2012	2506091	12001977.3	French
2506407	SVM Schultz Verwaltungs-GmbH & Co. KG	14/03/2012	2506407	12001757.9	German
2506479	Telefonaktiebolaget LM Ericsson (publ)	13/03/2008	2506479	12173734.0	
2506825	Aqua Bio Technology ASA	30/11/2010	2506825	10784313.8	
2508020	Samsung Electronics Co., Ltd.	22/06/2010	2508020	10834710.5	
2508083	Obshestvo S Ogranichennoj Otvetstvennostju "PARAFARM"	21/10/2010	2508083	10833641.3	
2508611	TMS Co., Ltd.	20/03/2007	2508611	12173132.7	
2508731	Mitsubishi Heavy Industries, Ltd.	02/02/2011	2508731	11805365.1	
2508803	Rolls-Royce plc	15/03/2012	2508803	12159628.2	
2510282	Triple E Power Ltd	09/12/2010	2510282	10835611.4	
2510336	FOSS Analytical A/S	10/12/2009	2510336	09801196.8	
2510660	Marvell World Trade Ltd.	09/12/2010	2510660	10836712.9	

---

3624	(No. 2386)	Patents Office Journal	(29/05/2019)		
2510735	Huawei Technologies Co., Ltd.	07/12/2010	2510735	10835466.3	
2510859	Wolf PVG GmbH & Co. KG	14/03/2012	2510859	12159466.7	German
2511030	MTU Aero Engines AG	23/05/2011	2511030	11167147.5	German
2511896	Sharp Kabushiki Kaisha	03/12/2010	2511896	10835902.7	
2512686	Noxell Corporation	17/12/2010	2512686	10801322.8	
2514281	Umicore AG & Co. KG	13/12/2010	2514281	10838186.4	
2515232	ZTE Corporation	31/05/2011	2515232	11800110.6	
2515679	Archer-Daniels-Midland Company	21/12/2010	2515679	10842721.2	
2516903	Robert Bosch GmbH	14/12/2010	2516903	10798510.3	German
2517355	SEMICONDUCTOR ENERGY LABORATORY CO., LTD.	17/12/2010	2517355	10839601.1	
2517960	Northrop Grumman Innovation Systems, Inc.	29/03/2012	2517960	12162174.2	
2518550	Enplas Corporation	22/12/2010	2518550	10838961.0	
2519015	Kabelkom Spolka z o.o.	27/04/2012	2519015	12460019.8	
2520039	Qualcomm Incorporated	23/12/2010	2520039	10803192.3	
2521405	ZTE Corporation	17/05/2010	2521405	10848712.5	
2522856	Samsung Electronics Co., Ltd.	05/11/2010	2522856	10842286.6	
2523162	NEC Corporation	24/12/2010	2523162	10842260.1	
2523839	TOYOTA MOTOR ENGINEERING & MANUFACTURING NORTH AMERICA, INC.	14/01/2011	2523839	11733454.0	
2524575	Signify Holding B.V.	11/01/2011	2524575	11702516.3	
2525444	Yazaki Corporation	14/12/2010	2525444	10843157.8	
2525689	Hunter Douglas Inc.	19/01/2011	2525689	11735068.6	
2525851	Sanofi-Aventis Deutschland GmbH	21/01/2011	2525851	11701084.3	
2526503	GemCar Inc.	20/01/2010	2526503	10733718.0	
2526681	ADTRAN GmbH	21/01/2010	2526681	10701657.8	
2527525	Electrolux Home Products Corporation N.V.	27/05/2011	2527525	11167975.9	
2527851	Schneider Electric Industries SAS	24/04/2012	2527851	12165255.6	French
2527884	National Institute of Information and Communications Technology STANLEY ELECTRIC CO., LTD.	24/05/2012	2527884	12004036.5	
2528522	Aesculap AG	21/12/2010	2528522	10798318.1	German
2528937	OncoTherapy Science, Inc.	24/01/2011	2528937	11734528.0	
2529545	Paul Scherrer Institut	09/12/2010	2529545	10790759.4	
2529593	Elta Systems Ltd.	27/01/2011	2529593	11706360.2	

---

2531455	AGC Glass Europe	01/02/2011	2531455	11701518.0	French
2532447	Krones AG	08/06/2012	2532447	12171316.8	German
2533064	Samsung Electronics Co., Ltd.	02/12/2011	2533064	11191646.6	
2533092	Nikon Corporation	28/01/2011	2533092	11739532.7	
2534277	AGC Glass Europe	07/02/2011	2534277	11702234.3	
2534409	Zumtobel Lighting GmbH	10/02/2011	2534409	11706193.7	German
2534516	CommScope Technologies LLC	11/02/2011	2534516	11711701.0	
2534572	Sato Holdings Kabushiki Kaisha	10/02/2010	2534572	10845670.8	
2535152	Delaware Capital Formation, Inc.	23/12/2009	2535152	12163745.8	
2535177	Von Arx AG	23/03/2012	2535177	12160939.0	
2535942	LG Electronics Inc.	30/03/2012	2535942	12002328.8	
2536227	GoldPeak Innovations Inc.	10/02/2011	2536227	11742487.9	
2536895	Metsäliitto Osuuskunta	18/02/2011	2536895	11744324.2	
2536956	EMB S.R.L.	09/02/2011	2536956	11713350.4	
2538192	Monitech SRL Monitoring Technologies	01/07/2011	2538192	11425169.7	
2539080	HOMAG GmbH	22/02/2011	2539080	11706519.3	German
2540186	YKK Corporation	26/02/2010	2540186	10846531.1	
2540629	EMDE Industrie-Technik Gesellschaft für Rationalisierung und Verfahrenstechnik mbH	29/06/2012	2540629	12174498.1	German
2540911	CDK Zarmutek GbR	29/06/2012	2540911	12174356.1	German
2541136	LG Innotek Co., Ltd.	19/03/2012	2541136	12160155.3	
2541735	Jeumont Electric	21/06/2012	2541735	12172878.6	French
2542120	Andreas Fahlstedt Design	24/02/2011	2542120	11750983.6	
2542193	The University of Western Ontario Trudell Medical International	04/03/2011	2542193	11750254.2	
2542269	UV Light Care, Inc	03/03/2011	2542269	11708440.0	
2542421	Giesecke+Devrient Currency Technology GmbH	02/03/2011	2542421	11706491.5	German
2542706	Grossi, Giulio	02/03/2011	2542706	11750122.1	
2542784	Weir Minerals Australia Ltd	01/03/2011	2542784	11750076.9	
2542913	Elbit Systems Ltd.	01/03/2011	2542913	11719891.1	
2543063	Veeco Instruments Inc.	01/03/2011	2543063	11751170.9	
2543397	FUJIFILM Corporation	01/03/2011	2543397	11750627.9	
2544933	KNORR-BREMSE Systeme für Nutzfahrzeuge GmbH	03/03/2011	2544933	11708434.3	German
2544992	Noram International Limited	06/03/2010	2544992	10710902.7	

---

3626	(No. 2386)	Patents Office Journal	(29/05/2019)		
2545687	Telefonaktiebolaget LM Ericsson (publ)	11/03/2010	2545687	10847573.2	
2545708	ARRIS Enterprises LLC	10/03/2011	2545708	11710080.0	
2545996	Betek GmbH & Co. KG	10/07/2012	2545996	12005105.7	German
2546686	Nippon Telegraph And Telephone Corporation NTT Electronics Corporation	09/03/2011	2546686	11753050.1	
2546806	Deutsche Telekom AG	11/07/2012	2546806	12175950.0	
2547298	Avedro, Inc.	18/03/2011	2547298	11757076.2	
2547431	Quantifoil Instruments GmbH	16/03/2011	2547431	11708856.7	German
2547635	Karlsruher Institut für Technologie	10/03/2011	2547635	11708197.6	German
2547893	Rolls-Royce Corporation	15/03/2011	2547893	11790135.5	
2547904	SP Tech	17/03/2011	2547904	11757021.8	
2548235	Signify Holding B.V.	03/03/2011	2548235	11714420.4	
2548313	LG Electronics Inc.	16/03/2011	2548313	11756552.3	
2549086	Yamaha Hatsudoki Kabushiki Kaisha	20/07/2012	2549086	12177250.3	
2549333	Canon Kabushiki Kaisha	17/07/2012	2549333	12176725.5	
2550002	Phio Pharmaceuticals Corp.	24/03/2011	2550002	11760261.5	
2550103	Compagnie des Salins du Midi et Salines de l'Est	23/03/2011	2550103	11719295.5	French
2550706	Nederlandse Organisatie voor toegepast- natuurwetenschappelijk onderzoek TNO	23/03/2011	2550706	11712048.5	
2550734	Continental Automotive GmbH	23/03/2011	2550734	11710764.9	German
2550797	ML Netherlands C.V.	14/03/2011	2550797	11707685.1	
2550844	D. Swarovski KG	22/03/2011	2550844	11715648.9	German
2550867	Kaijo Corporation University of Miyazaki	18/03/2011	2550867	11759625.4	
2552434	NovaBiotics Limited	30/03/2011	2552434	11730384.2	
2552823	Ecole Polytechnique CENTRE NATIONAL DE LA RECHERCHE SCIENTIFIQUE - CNRS-	28/03/2011	2552823	11719305.2	French
2552865	UOP LLC	23/03/2011	2552865	11763237.2	
2553001	Kolon Industries, Inc.	30/03/2011	2553001	11763014.5	
2553091	Novozymes A/S	25/03/2011	2553091	11709972.1	
2553131	Norsk Hydro ASA	30/03/2011	2553131	11763104.4	
2553274	General Electric Technology GmbH	29/03/2011	2553274	11713999.8	
2553309	Rolls-Royce plc	09/03/2011	2553309	11707844.4	

---

2553317	Siteco Beleuchtungstechnik GmbH	23/03/2011	2553317	11711040.3	German
2553630	Rohde & Schwarz GmbH & Co. KG	22/03/2011	2553630	11711497.5	German
2553920	Sony Corporation	16/03/2011	2553920	11762170.6	
2553955	Sony Corporation	18/03/2011	2553955	11713023.7	
2553978	Telefonaktiebolaget LM Ericsson (publ)	22/03/2011	2553978	11717755.0	
2554061	Japan Tobacco, Inc.	11/03/2011	2554061	11762544.2	
2554191	Thoratec Corporation	24/02/2011	2554191	11759133.9	
2554301	MAKINO MILLING MACHINE CO., LTD.	30/03/2010	2554301	10848969.1	
2554339	Panasonic Corporation	24/03/2011	2554339	11759499.4	
2554638	Zweckverband Abfallbehandlung Kahlenberg	29/09/2011	2554638	11007924.1	German
2554698	Kabushiki Kaisha Kobe Seiko Sho	08/03/2011	2554698	11762503.8	
2555236	Furukawa Electric Co., Ltd. Furukawa Automotive Systems Inc.	11/03/2011	2555236	11762551.7	
2555494	Dexerials Corporation	31/03/2011	2555494	11765750.2	
2555579	Sharp Kabushiki Kaisha	09/03/2011	2555579	11762516.0	
2555806	Lohmann GmbH & Co. KG	29/03/2011	2555806	11727907.5	German
2556389	ISP Investments LLC	22/03/2011	2556389	11766379.9	
2556413	Honeywell International Inc.	23/03/2011	2556413	11766389.8	
2557768	Canon Kabushiki Kaisha	08/08/2012	2557768	12179712.0	
2557773	Sony Corporation	09/03/2012	2557773	12760064.1	
2558327	Schunk Carbon Technology GmbH	16/03/2011	2558327	11714709.0	German
2558523	Borealis AG	01/03/2011	2558523	11706237.2	
2558725	Robert Bosch GmbH	15/03/2011	2558725	11708262.8	German
2559826	SIHGA GmbH	16/08/2012	2559826	12005897.9	German
2561501	The Boeing Company	17/03/2011	2561501	11767313.7	
2563047	Samsung Electronics Co., Ltd.	17/08/2012	2563047	12180850.5	
2565559	Panasonic Corporation	01/03/2012	2565559	12157794.4	
2565653	Fluke Corporation	05/09/2011	2565653	11007172.7	
2567548	Aastra Technologies Limited	08/06/2011	2567548	11791779.9	
2568021	Hewlett-Packard Development Company, L.P.	05/09/2012	2568021	12183075.6	
2568339	Fujifilm Corporation	22/08/2012	2568339	12181329.9	
2569142	The Boeing Company	18/03/2011	2569142	11718534.8	
2569486	Wood, Christopher	13/05/2011	2569486	11722128.3	
2569672	Ricoh Company Ltd.	05/03/2012	2569672	12758255.9	
2570989	Flir Systems AB	21/04/2011	2570989	12189621.1	

---

3628	(No. 2386)	Patents Office Journal	(29/05/2019)		
2573956	The Boeing Company	03/09/2012	2573956	12182813.1	
2574600	TOTO LTD.	18/09/2012	2574600	12184864.2	
2578094	Philip Morris Products S.A.	03/02/2006	2578094	12196322.7	
2578325	Matthews International Corporation	04/10/2012	2578325	12187251.9	
2578757	Hitachi Construction Machinery Co., Ltd.	24/05/2011	2578757	11786645.9	
2581550	Halliburton Manufacturing & Services Limited	19/09/2012	2581550	12185096.0	
2581590	IFP Energies nouvelles	20/09/2012	2581590	12290308.1	French
2581721	Samsung Electronics Co., Ltd.	09/10/2012	2581721	12187837.5	
2582300	Karlsruher Institut für Technologie	15/06/2011	2582300	11737906.5	German
2583856	FAUN Umwelttechnik GmbH & Co. KG	06/11/2007	2583856	13000190.2	German
2584380	PGS Geophysical AS	17/10/2012	2584380	12188855.6	
2584589	Nikon Corporation	16/06/2011	2584589	11795814.0	
2584593	Merck Patent GmbH	10/08/2011	2584593	11795255.6	
2584682	ROBERT BOSCH GMBH	19/09/2012	2584682	12185010.1	German
2585281	Safran Ceramics Safran Aircraft Engines	24/06/2011	2585281	11738022.0	French
2586013	OMG France - Chariots Elevateurs	08/06/2011	2586013	11735394.6	French
2587073	Hitachi Construction Machinery Co., Ltd.	17/06/2011	2587073	11798063.1	
2587363	Brother Kogyo Kabushiki Kaisha	26/10/2012	2587363	12190191.2	
2587660	Sumitomo Heavy Industries, Ltd.	21/06/2011	2587660	11798130.8	
2587862	Huawei Technologies Co., Ltd.	25/08/2011	2587862	11857915.0	
2588413	BASF SE	01/07/2011	2588413	11800291.4	
2588665	Novozymes A/S	01/07/2011	2588665	11728850.6	
2589152	NXP USA, Inc.	29/06/2010	2589152	10749489.0	
2589938	Fujian Metrology Institute	30/05/2011	2589938	11800108.0	
2590363	ZTE Corporation	24/02/2011	2590363	11809163.6	
2590580	Mininvasive Ltd.	11/07/2011	2590580	11806391.6	
2590845	Continental Teves AG & Co. OHG	11/05/2011	2590845	11719004.1	German
2591117	GlaxoSmithKline Biologicals SA	06/07/2011	2591117	11736496.8	
2591291	Glasspoint Solar, Inc.	02/07/2011	2591291	11804236.5	
2591308	Northrop Grumman Innovation Systems, Inc.	06/07/2011	2591308	11748499.8	
2591466	SPARKUP LTD.	06/07/2011	2591466	11803237.4	
2591618	Markport Limited	06/07/2011	2591618	11733913.5	

2592671	Mitsubishi Chemical Corporation	07/07/2011	2592671	11803663.1	
2593797	Bioatla, LLC	04/03/2011	2593797	11807192.7	
2593804	Commissariat à l'Énergie Atomique et aux Énergies Alternatives	08/07/2011	2593804	11741644.6	French
2594255	Kao Corporation	11/07/2011	2594255	11806740.4	
2594870	Linde Aktiengesellschaft	30/12/2011	2594870	11196279.1	
2594918	Mitutoyo Corporation	12/07/2012	2594918	12176081.3	
2595905	Fameccanica.Data S.p.A.	08/07/2011	2595905	11744079.2	
2595906	Nort S.r.L.	30/03/2011	2595906	11720866.0	
2596875	Reinhart Hydrocleaning SA	22/11/2012	2596875	12193834.4	French
2597477	SK INNOVATION CO., LTD.	09/11/2012	2597477	12007624.5	
2597531	Konica Minolta Business Technologies, Inc.	26/10/2012	2597531	12190136.7	
2598633	Koninklijke Nederlandse Akademie van Wetenschappen	29/07/2011	2598633	11764293.4	
2599438	National University Corporation, Tohoku University Mitaya Manufacturing Co., Ltd.	26/07/2011	2599438	11812451.0	
2599688	Mitsubishi Electric Corporation	13/07/2011	2599688	11812001.3	
2600519	Mitsubishi Electric Corporation	25/03/2011	2600519	11812122.7	
2600576	Citrix Systems, Inc.	10/07/2008	2600576	13000979.8	
2601502	Bosch Automotive Service Solutions Inc.	01/08/2011	2601502	11815139.8	
2604670	Dosimetry & Imaging Pty Ltd	16/12/2005	2604670	13159062.2	
2605473	InterDigital Madison Patent Holdings	07/12/2012	2605473	12196084.3	
2605765	Deisher, Theresa	18/08/2011	2605765	11752017.1	
2607946	LG Electronics, Inc.	11/12/2012	2607946	12008267.2	
2608617	Cisco Technology, Inc.	12/03/2012	2608617	12159101.0	
2609711	Giesecke+Devrient Mobile Security GmbH	19/08/2011	2609711	11757163.8	German
2609873	AEEG AB	07/09/2009	2609873	12191513.6	
2610179	Embraer, S.A.	27/12/2012	2610179	12199543.5	
2610909	Shanghai Sansi Electronics Engineering Co., Ltd. Shanghai Sansi Technology Co., Ltd Jiashan Sansi Photoelectricity Technology Co., Ltd.	09/08/2012	2610909	12179922.5	
2612488	Cisco Technology, Inc.	16/08/2011	2612488	11752002.3	

3630	(No. 2386)	Patents Office Journal	(29/05/2019)		
2613076	Kabushiki Kaisha Toshiba Toshiba Materials Co., Ltd.	31/08/2011	2613076	11821326.3	
2613187	Kyocera Corporation	31/08/2011	2613187	11821894.0	
2613290	Morpho, Inc.	26/10/2010	2613290	10848135.9	
2613490	Tencent Technology (Shenzhen) Company Limited	16/08/2011	2613490	11821083.0	
2613578	NINTENDO CO., LTD.	27/03/2012	2613578	12161451.5	
2613709	Occlutech Holding AG	06/09/2011	2613709	11752237.5	
2614619	NEC Corporation	07/09/2011	2614619	11760400.9	
2614693	Heraeus Noblelight GmbH	29/08/2011	2614693	11757165.3	German
2615631	Mitsubishi Gas Chemical Company, Inc.	14/07/2011	2615631	11823334.5	
2615632	Mitsubishi Gas Chemical Company, Inc.	14/07/2011	2615632	11823335.2	
2615761	BlackBerry Limited	23/03/2010	2615761	13162351.4	
2615954	AB Hällde Maskiner	07/09/2011	2615954	11825528.0	
2615984	Ethicon LLC	13/09/2011	2615984	11760652.5	
2617025	Jenkins, Barry Lynn	13/09/2011	2617025	11825795.5	
2617300	Japan Tobacco, Inc.	14/09/2010	2617300	10857243.9	
2618003	Mitsubishi Heavy Industries, Ltd.	06/12/2011	2618003	11852453.7	
2618223	Kyocera Document Solutions Inc.	17/01/2013	2618223	13151576.9	
2618426	Murata Manufacturing Co., Ltd.	13/09/2011	2618426	11825141.2	
2618926	Lipotec, S.A.	20/09/2011	2618926	11763847.8	
2619150	Software & Technologie Glas GmbH (STG)	21/09/2011	2619150	11763625.8	German
2619384	Layne, Richard	20/09/2011	2619384	11776485.2	
2619491	Norgren GmbH	18/09/2011	2619491	11761047.7	
2619700	Zymeworks, Inc.	22/09/2011	2619700	11826255.9	
2621601	Caterpillar Inc. Advanced Filtration Systems, INC. Donaldson Company, Inc.	28/09/2011	2621601	11767557.9	
2622278	Siemens Aktiengesellschaft	30/11/2011	2622278	11790777.4	
2622325	The University Court Of The University Of St Andrews	28/09/2011	2622325	11767742.7	
2623155	Hitachi, Ltd.	24/05/2011	2623155	11828531.1	
2624148	CANON KABUSHIKI KAISHA	25/01/2013	2624148	13152662.6	
2626631	NGK Spark Plug Co., Ltd.	17/08/2011	2626631	11830444.3	
2626694	Cummins IP, Inc.	07/02/2013	2626694	13154457.9	



2626706	Hitachi High-Technologies Corporation	02/09/2011	2626706	11830317.1	
2629142	Fastlite	14/02/2012	2629142	12155266.5	
2629824	Koninklijke Philips N.V.	17/10/2011	2629824	11782474.8	
2630273	KHS Corpoplast GmbH	01/09/2011	2630273	11788021.1	German
2630469	SpectraSensors, Inc.	15/02/2011	2630469	11711169.0	
2630555	DAV	20/10/2011	2630555	11785042.0	French
2630582	Kryterion, Inc.	18/02/2011	2630582	11814923.6	
2630593	Telecom Italia S.p.A.	21/10/2010	2630593	10795064.4	
2630746	WORLDLINE	14/10/2011	2630746	11787705.0	French
2630899	Koninklijke Douwe Egberts B.V.	30/12/2009	2630899	13168992.9	
2630987	Boston Scientific Neuromodulation Corporation	17/08/2011	2630987	13156700.0	
2631735	Fujitsu Component Limited	31/10/2012	2631735	12190880.0	
2632115	The Boeing Company	05/10/2010	2632115	13168506.7	
2632150	ULIS	19/02/2013	2632150	13155702.7	French
2632386	3Shape A/S	31/10/2011	2632386	11835653.4	
2633643	Nokia Solutions and Networks GmbH & Co. KG	29/10/2010	2633643	10775792.4	
2633860	Aptevo BioTherapeutics LLC	16/12/2008	2633860	13165012.9	
2633913	Eppendorf AG	01/03/2012	2633913	12001394.1	German
2633983	VERITAS AG	26/02/2013	2633983	13156680.4	German
2634546	Yamato Scale Co., Ltd.	29/10/2010	2634546	10858894.8	
2634797	Kyocera Corporation	27/10/2011	2634797	11836419.9	
2634823	Citizen Watch Co., Ltd. Citizen Electronics Co., Ltd.	27/10/2011	2634823	11836498.3	
2635074	Huawei Technologies Co., Ltd.	28/10/2011	2635074	11841679.1	
2635663	Corbion Biotech, Inc.	03/11/2011	2635663	11785851.4	
2635822	Bishop-Wisecarver Corporation	04/11/2011	2635822	11838865.1	
2636264	Qualcomm Incorporated	28/10/2011	2636264	11781936.7	
2636312	Bunge Lodders Croklaan B.V.	08/03/2012	2636312	12275021.9	
2636445	Samsung Electronics Co., Ltd.	05/03/2013	2636445	13157871.8	
2636472	Kyocera Corporation	30/09/2011	2636472	11837826.4	
2636554	TOYOTA JIDOSHA KABUSHIKI KAISHA	04/11/2010	2636554	10859254.4	
2636568	TOYOTA JIDOSHA KABUSHIKI KAISHA	04/11/2010	2636568	10859255.1	

3632	(No. 2386)	Patents Office Journal	(29/05/2019)		
2636641	Technical Institute of Physics and Chemistry of the Chinese Academy of Sciences	04/11/2011	2636641	11837399.2	
2636725	Chevron Japan Ltd.	06/03/2013	2636725	13157940.1	
2636883	TOYOTA JIDOSHA KABUSHIKI KAISHA	04/11/2010	2636883	10859248.6	
2636946	Stanley Electric Co., Ltd.	08/03/2013	2636946	13001161.2	
2638321	Nanosys, Inc.	02/11/2011	2638321	11839257.0	
2638770	SCA IPLA Holdings Inc.	28/10/2011	2638770	11781841.9	
2638986	TRUMPF Werkzeugmaschinen GmbH + Co. KG	13/03/2012	2638986	12159180.4	German
2638990	Namics Corporation	04/11/2011	2638990	11840597.6	
2639408	MTU Aero Engines AG	12/03/2012	2639408	12159013.7	German
2639409	General Electric Company	12/03/2013	2639409	13158738.8	
2639458	Mitsubishi Electric Corporation	12/10/2011	2639458	11840618.0	
2639536	Benteler Automobiltechnik GmbH	05/03/2013	2639536	13157845.2	German
2639575	KLA-Tencor Technologies Corporation	12/03/2013	2639575	13001240.4	
2639761	Panasonic Intellectual Property Management Co., Ltd.	09/11/2011	2639761	11840614.9	
2639778	Honeywell International Inc.	01/03/2013	2639778	13157513.6	
2640176	Hamilton Sundstrand Corporation	12/03/2013	2640176	13158785.9	
2640507	Nalco Company	17/11/2011	2640507	11842185.8	
2642012	Electrolux Home Products Corporation N.V.	22/03/2012	2642012	12160679.2	
2642085	Rolls-Royce plc	06/03/2013	2642085	13157988.0	
2642417	Sumitomo Rubber Industries, Ltd.	18/03/2013	2642417	13159681.9	
2642535	Samsung Electronics Co., Ltd.	15/03/2013	2642535	13159429.3	
2642631	Mitsubishi Jidosha Kogyo Kabushiki Kaisha	02/11/2011	2642631	11841422.6	
2642738	Ricoh Company, Ltd.	07/03/2013	2642738	13158073.0	
2642779	Avago Technologies International Sales Pte. Limited	12/03/2013	2642779	13001230.5	
2643419	Arkema France	25/11/2010	2643419	10816413.8	
2643603	Mahle International GmbH Mahle Industries, Incorporated	24/11/2011	2643603	11810571.7	
2643821	Google LLC	22/11/2011	2643821	11799523.3	
2643866	Idemitsu Kosan Co., Ltd.	22/11/2011	2643866	11808815.2	

2643908	The Government of the United States of America as represented by the Secretary of the Navy	21/11/2011	2643908	11843179.0	
2644281	ABB Schweiz AG	29/03/2012	2644281	12002292.6	German
2644836	Rolls-Royce plc	11/03/2013	2644836	13158528.3	
2644920	Schaeffler Technologies AG & Co. KG	11/03/2013	2644920	13158515.0	German
2644950	YAMAHA HATSUDOKI KABUSHIKI KAISHA	21/11/2011	2644950	11843732.6	
2645003	BSH Hausgeräte GmbH	19/03/2013	2645003	13159843.5	German
2645297	Sony Computer Entertainment America LLC	25/03/2013	2645297	13160784.8	
2645364	Honda Research Institute Europe GmbH	29/03/2012	2645364	12162032.2	
2645368	NEC Corporation	21/11/2011	2645368	11842659.2	
2645885	R. J. Reynolds Tobacco Company	29/11/2011	2645885	11790841.8	
2645918	Olympus Endo Technology America Inc.	05/12/2011	2645918	11846524.4	
2645985	L'Oréal	21/10/2011	2645985	11773459.0	
2646274	Sew-Eurodrive GmbH & Co. KG	21/10/2011	2646274	11776104.9	German
2646382	Corning Incorporated	21/11/2011	2646382	11793921.5	
2646637	3G Mermet Corporation	02/12/2011	2646637	11797093.9	
2646654	Xylem IP Holdings LLC	30/11/2011	2646654	11796786.9	
2647130	Telefonaktiebolaget LM Ericsson (publ)	30/11/2010	2647130	10782632.3	
2647801	Honeywell International Inc.	19/03/2013	2647801	13159987.0	
2647902	Siteco Beleuchtungstechnik GmbH	11/03/2013	2647902	13158581.2	German
2648718	Rutgers, the State University of New Jersey	09/12/2011	2648718	11846156.5	
2649031	Chevron Oronite Company LLC	04/10/2011	2649031	11846657.2	
2649463	Wentworth Laboratories, Inc.	09/12/2011	2649463	11847860.1	
2649553	Ingenico Group	07/12/2011	2649553	11794698.8	French
2649644	Tessera, Inc.	08/12/2011	2649644	11810921.4	
2649851	Nokia Solutions and Networks Oy	08/12/2010	2649851	10795267.3	
2650519	Honeywell International Inc.	21/03/2013	2650519	13160504.0	
2650881	TEXAS INSTRUMENTS DEUTSCHLAND GMBH Texas Instruments Incorporated	01/03/2013	2650881	13157438.6	
2650935	LG Innotek Co., Ltd.	27/09/2012	2650935	12186216.3	
2652493	Thermo Finnigan LLC	05/12/2011	2652493	11797286.9	

3634	(No. 2386)	<i>Patents Office Journal</i>		(29/05/2019)	
2652966	Sony Mobile Communications Inc.	16/12/2010	2652966	10812998.2	
2654080	NXP USA, Inc.	29/03/2013	2654080	13161840.7	
2654821	Smith & Nephew, Inc.	22/06/2011	2654821	11729530.3	
2655120	Renault S.A.S.	09/12/2011	2655120	11791596.7	French
2655319	Bayer CropScience Aktiengesellschaft	19/12/2011	2655319	11807900.3	German
2655731	Stora Enso Oyj	16/12/2011	2655731	11851854.7	
2656880	B. Kolormakeup & Skincare S.p.A.	05/03/2013	2656880	13157885.8	
2657940	NXP USA, Inc.	29/03/2013	2657940	13161848.0	
2659159	Newport Corporation	27/12/2011	2659159	11853318.1	
2659211	Technip France	26/12/2011	2659211	11802438.9	French
2659377	Microsoft Technology Licensing, LLC	28/12/2011	2659377	11852446.1	
2659667	Cellcrypt Inc.	29/12/2011	2659667	11852249.9	
2659993	Hitachi Metals, Ltd.	26/12/2011	2659993	11853297.7	
2661308	Prenatal International GmbH	04/01/2012	2661308	12701434.8	German
2663193	Children's Hospital Los Angeles	10/01/2012	2663193	12734547.8	
2663259	Symetis SA	11/01/2012	2663259	12703462.7	
2663626	BASF SE	12/01/2012	2663626	12700184.0	German
2663851	Endoworx Pty Ltd	11/01/2012	2663851	12733887.9	
2664800	Mitsubishi Heavy Industries, Ltd.	25/10/2011	2664800	11855830.3	
2666257	Samsung Electronics Co., Ltd.	19/01/2012	2666257	12736944.5	
2667050	Valeo Embrayages	23/05/2013	2667050	13168939.0	French
2667202	Panasonic Intellectual Property Management Co., Ltd.	20/01/2012	2667202	12736604.5	
2669185	Airbus Operations Limited	23/05/2013	2669185	13169020.8	
2670999	Miba Frictec GmbH	12/01/2012	2670999	12716180.0	German
2671768	TOYOTA JIDOSHA KABUSHIKI KAISHA	03/02/2011	2671768	11857527.3	
2672009	Wirtgen GmbH	28/03/2008	2672009	13183034.1	German
2672257	Korea Institute of Science and Technology	08/03/2005	2672257	13183326.1	
2672359	Google LLC	06/06/2013	2672359	13170931.3	
2672469	Wincor Nixdorf International GmbH	04/06/2012	2672469	12170690.7	German
2674616	innogy SE	22/03/2013	2674616	13160659.2	German
2675732	Raytheon Company	14/12/2011	2675732	11858531.4	
2676526	Signify Holding B.V.	16/02/2012	2676526	12708395.4	
2676882	The Boeing Company	10/06/2013	2676882	13171202.8	
2677510	Harman International Industries, Incorporated	21/06/2013	2677510	13173187.9	

2677609	RAYTHEON COMPANY	17/11/2008	2677609	13182319.7	
2677910	BSH Hausgeräte GmbH	13/02/2012	2677910	12705099.5	German
2678038	CureVac AG	10/02/2012	2678038	12707225.4	
2678619	Cool Sustainable Energy Solutions B.V.	22/02/2012	2678619	12707944.0	
2678630	Prestone Products Corporation	25/02/2012	2678630	12750132.8	
2678854	Prismaflex International	06/02/2012	2678854	12707866.5	French
2679032	Alcatel Lucent	04/01/2012	2679032	12749179.3	
2679333	Mitsubishi Heavy Industries Compressor Corporation	22/11/2011	2679333	11859305.2	
2680678	Dowa Metaltech Co., Ltd	29/03/2011	2680678	11861583.0	
2680813	Nal Pharmaceutical Group Limited	02/03/2012	2680813	12709150.2	
2680864	Ramot at Tel-Aviv University Ltd. Yeda Research and Development Co. Ltd.	01/03/2012	2680864	12711003.9	
2680905	Owen Mumford Limited	02/03/2012	2680905	12709359.9	
2681018	Robert Bosch GmbH	02/03/2012	2681018	12723092.8	German
2681435	Mahle International GmbH	02/03/2012	2681435	12727232.6	German
2681786	Johnson Matthey PLC	29/02/2012	2681786	12708108.1	German
2682196	Canon Kabushiki Kaisha	01/07/2013	2682196	13174471.6	
2682369	Ube Material Industries, Ltd.	02/03/2012	2682369	12752167.2	
2682677	Mitsubishi Heavy Industries, Ltd.	10/11/2011	2682677	11859815.0	
2683292	Medtronic Ablation Frontiers LLC	22/02/2012	2683292	12707211.4	
2683294	Koninklijke Philips N.V.	06/03/2012	2683294	12708971.2	
2683406	Emory University Beth Israel Deaconess Medical Center, Inc.	12/03/2012	2683406	12758099.1	
2683422	Potrero Medical, Inc.	07/03/2012	2683422	12754212.4	
2683482	DiaMed GmbH Bio-Rad Innovations	09/03/2012	2683482	12713220.7	French
2683643	Pestell, Richard G.	09/03/2012	2683643	12755544.9	
2683659	Ostara Nutrient Recovery Technologies Inc.	09/03/2012	2683659	12755256.0	
2683800	The Lubrizol Corporation	07/03/2012	2683800	12710828.0	
2683844	Rolls-Royce Corporation	08/03/2012	2683844	12719105.4	
2683875	Watershed Geosynthetics LLC	11/03/2012	2683875	12716805.2	
2683948	Parker Hannifin Manufacturing France SAS	07/03/2012	2683948	12713206.6	French

3636	(No. 2386)	Patents Office Journal	(29/05/2019)		
2684002	Aavid Thermalloy, LLC	07/03/2011	2684002	11860308.3	
2684192	Ovonyx Memory Technology, LLC	11/03/2011	2684192	11731515.0	
2684224	Lumileds Holding B.V.	05/03/2012	2684224	12710116.0	
2685258	IHI Inspection & Instrumentation Co., Ltd. Tohoku University IHI Corporation	07/03/2012	2685258	12754855.0	
2685655	Telefonaktiebolaget LM Ericsson (publ)	27/03/2007	2685655	13188011.4	
2685773	Qualcomm Incorporated	26/05/2011	2685773	13188275.5	
2685832	Realm Therapeutics, Inc.	19/03/2012	2685832	12760461.9	
2686059	Brown University	19/03/2012	2686059	12758264.1	
2686289	Evonik Degussa GmbH	07/03/2012	2686289	12708534.8	German
2686391	Rudolf Hensel GmbH	17/03/2011	2686391	11719633.7	German
2686441	Eisai R&D Management Co., Ltd.	16/03/2012	2686441	12710643.3	
2686595	Robert Bosch GmbH	23/01/2012	2686595	12700851.4	German
2686688	Cernostics, Inc.	15/03/2012	2686688	12757085.1	
2686729	View, Inc.	06/03/2012	2686729	12757877.1	
2686791	Amazon Technologies, Inc.	07/03/2012	2686791	12758374.8	
2686801	Koninklijke Philips N.V.	16/03/2012	2686801	12714372.5	
2686965	Telefonaktiebolaget LM Ericsson (publ)	16/03/2012	2686965	12713903.8	
2687931	Omron Corporation	06/03/2012	2687931	12757853.2	
2688511	White Implants Development Corp B.V.	19/03/2012	2688511	12712384.2	
2688901	Université Laval	26/03/2012	2688901	12765822.7	
2689257	Wispry, Inc.	21/03/2012	2689257	12760071.6	
2689266	Trimble Inc.	11/03/2012	2689266	12761111.9	
2689280	Koninklijke Philips N.V.	13/03/2012	2689280	12711258.9	
2689307	Rosemount Inc.	02/03/2012	2689307	12713813.9	
2689356	Dalgas, Mikkel Vangilder, James, W. Healey, Christopher, M. Johansen, Martin Schneider Electric IT Corporation	23/03/2012	2689356	12718462.0	
2689473	SEGTON Advanced Technology	22/03/2012	2689473	12728117.8	
2689835	Papierfabrik August Koehler SE Symrise AG	26/07/2012	2689835	12178132.2	German
2690069	Universitat Politècnica De Catalunya	22/03/2012	2690069	12761424.6	

---

2690193	Advanced Micro-Fabrication Equipment Inc, Shanghai	23/03/2012	2690193	12763198.4	
2690424	Boditech Med Inc.	21/03/2012	2690424	12764217.1	
2690463	Hokuyo Automatic Co., Ltd.	24/03/2011	2690463	11861389.2	
2690869	Olympus Corporation	02/03/2012	2690869	12764852.5	
2691048	Smith & Nephew, Inc.	28/03/2012	2691048	12764359.1	
2691217	Nordischer Maschinenbau Rud. Baader GmbH + Co. KG	27/03/2012	2691217	12713044.1	German
2691327	M T C - Macchine Trasformazione Carta S.r.l.	23/03/2012	2691327	12742941.3	
2691402	Atlanthera	28/03/2012	2691402	12711632.5	French
2691880	Google LLC	07/02/2012	2691880	12704210.9	
2691973	DH Technologies Development Pte. Ltd.	30/03/2012	2691973	12765281.6	
2692118	Lattice Semiconductor Corporation	30/03/2012	2692118	12762781.8	
2692807	Dai Nippon Toryo Co., Ltd.	30/03/2012	2692807	12765262.6	
2692886	Nippon Steel & Sumitomo Metal Corporation	19/03/2012	2692886	12764728.7	
2693420	Sharp Kabushiki Kaisha	22/03/2012	2693420	12762819.6	
2693430	Sony Corporation	23/03/2012	2693430	12765534.8	
2693662	LG Electronics Inc.	22/03/2012	2693662	12765574.4	
2694020	Unilever PLC	29/03/2012	2694020	12712641.5	
2694892	BSH Hausgeräte GmbH	29/03/2012	2694892	12713095.3	German
2695086	The Boeing Company	02/03/2012	2695086	12708626.2	
2695298	Oerlikon Surface Solutions AG, Pfäffikon	02/03/2012	2695298	12708497.8	German
2695386	Sony Corporation	15/03/2012	2695386	12748143.0	
2695471	Alcatel Lucent	28/03/2012	2695471	12768001.5	
2695586	Sorin Group Italia S.r.l.	10/08/2012	2695586	12425139.8	
2695761	Yamaha Hatsudoki Kabushiki Kaisha	28/11/2012	2695761	12194603.2	
2696113	Yamaha Hatsudoki Kabushiki Kaisha	29/11/2012	2696113	12194765.9	
2696592	Samsung Electronics Co., Ltd.	09/08/2013	2696592	13179999.1	
2697511	TECAN TRADING AG	03/04/2012	2697511	12717431.6	French
2697695	Siemens Aktiengesellschaft	01/06/2012	2697695	12727342.3	German
2698539	MAHLE Filter Systems Japan Corporation	13/08/2013	2698539	13180160.7	
2698921	CommScope Technologies LLC	15/08/2013	2698921	13180603.6	
2701360	BSH Hausgeräte GmbH	07/08/2013	2701360	13179581.7	German

---

3638	(No. 2386)	Patents Office Journal	(29/05/2019)		
2701727	The Regents of the University of California	01/03/2012	2701727	12755443.4	
2702448	Bron Elektronik AG	06/03/2012	2702448	12708527.2	German
2702708	The Boeing Company	26/03/2012	2702708	12712501.1	
2703687	ZF Friedrichshafen AG	03/03/2011	2703687	13188109.6	German
2703910	The Swatch Group Research and Development Ltd.	09/08/2013	2703910	13179958.7	French
2705060	Robert Bosch GmbH	07/03/2012	2705060	12710191.3	German
2705422	Microsoft Technology Licensing, LLC	10/10/2011	2705422	11864836.9	
2707453	Saudi Arabian Oil Company Cornell University	11/05/2012	2707453	12722624.9	
2707465	Johnson Matthey Public Limited Company	09/05/2012	2707465	12721898.0	
2707539	Valmet Aktiebolag	13/05/2011	2707539	11865841.8	
2707944	Siemens Aktiengesellschaft	30/03/2011	2707944	11711872.9	German
2708365	Ricoh Company Ltd.	17/09/2013	2708365	13184827.7	
2708895	Industrial Technology Research Institute	20/08/2013	2708895	13181084.8	
2709801	Robert Bosch GmbH	16/03/2012	2709801	12711123.5	German
2709880	Valeo Systèmes d'Essuyage	02/04/2012	2709880	12711648.1	French
2709967	BASF SE	15/05/2012	2709967	12786522.8	German
2711999	Universal Display Corporation	24/09/2013	2711999	13185748.4	
2713163	Samsung Electronics Co., Ltd.	04/06/2013	2713163	13170398.5	
2713231	Honeywell International Inc.	16/09/2013	2713231	13184653.7	
2713779	Philip Morris Products S.A.	01/06/2012	2713779	12729909.7	
2713791	Lionhead Helmet Intellectual Properties LP	17/05/2012	2713791	12789200.8	
2715767	Carl Zeiss SMT GmbH	25/05/2012	2715767	12725622.0	
2716495	Samibois-Samiplast	02/10/2013	2716495	13306369.3	French
2717367	NISSAN MOTOR CO., LTD. Kaneka Corporation	22/05/2012	2717367	12788838.6	
2717640	China Mobile Communications Corporation	23/03/2012	2717640	12793411.5	
2717852	LTS LOHMANN Therapie-Systeme AG	30/05/2012	2717852	12725312.8	
2717862	Emory University	14/03/2012	2717862	12760463.5	
2717893	Translate Bio, Inc.	08/06/2012	2717893	12728007.1	
2718602	Hydac Fluidtechnik GmbH	14/03/2012	2718602	12709537.0	German



2719022	TE Connectivity Corporation	12/06/2012	2719022	12751150.9	
2719510	Mulder Europe B.V.	11/10/2012	2719510	12188178.3	
2719966	Mitsubishi Electric Corporation	08/06/2011	2719966	11867130.4	
2720253	Nikon Corporation	25/11/2011	2720253	11867928.1	
2720976	Stamicarbon B.V. acting under the name of MT Innovation Center	15/06/2012	2720976	12730691.8	
2721591	State, Adrian Florentin	18/01/2012	2721591	12732888.8	
2721652	Crystalplex Corporation	20/06/2012	2721652	12801927.0	
2722427	Nantong Cellulose Fibers Co., Ltd.	15/06/2012	2722427	12800129.4	
2723008	LG Electronics Inc.	15/02/2013	2723008	13000794.1	
2723250	Cousin Biotech Université de Lille	15/06/2012	2723250	12738499.8	French
2724059	Kiekert Aktiengesellschaft	16/03/2012	2724059	12727241.7	German
2724623	Natural Medicine Institute of Zhejiang Yangshengtang Co., Ltd.	21/06/2012	2724623	12802566.5	
2724946	The Boeing Company	21/10/2013	2724946	13189590.6	
2725258	KYB Corporation	14/06/2012	2725258	12801964.3	
2725559	Wincor Nixdorf International GmbH	25/10/2012	2725559	12190027.8	German
2725762	Netscout Systems Texas, LLC	25/10/2013	2725762	13190367.6	
2725879	Cancer Intelligence Care Systems, Inc.	31/05/2012	2725879	12805086.1	
2726201	Evonik Degussa GmbH	04/06/2012	2726201	12727028.8	
2726220	Cubility AS	28/06/2012	2726220	12805414.5	
2726238	Gühring KG	13/06/2012	2726238	12743058.5	German
2726331	Federal-Mogul S.A.	28/06/2011	2726331	11727700.4	
2727402	Qualcomm Incorporated	28/06/2012	2727402	12735717.6	
2727818	Yanmar Co., Ltd.	29/03/2012	2727818	12804380.9	
2727919	Fujian Mindong Rejuvenation Pharmaceutical Co., Ltd.	27/06/2012	2727919	12804491.4	
2728738	KOHLER CO.	14/10/2013	2728738	13188525.3	
2728843	Metaswitch Networks Ltd	15/09/2009	2728843	13189188.9	
2729491	Radici Chimica S.p.A.	05/07/2012	2729491	12735751.5	
2729671	Robert Bosch GmbH	29/06/2012	2729671	12733457.1	German
2729840	Zumtobel Lighting GmbH	05/07/2012	2729840	12738056.6	German
2730082	Apple Inc.	26/06/2012	2730082	12735696.2	
2730721	ZIPWALL, LLC	10/05/2005	2730721	13170901.6	
2730982	ETA SA Manufacture Horlogère Suisse	08/11/2012	2730982	12191821.3	French
2731941	Boehringer Ingelheim International GmbH	09/07/2012	2731941	12733144.5	

3640	(No. 2386)	Patents Office Journal	(29/05/2019)		
2732380	Google LLC	31/05/2012	2732380	12810829.7	
2732807	NOF Corporation	06/07/2012	2732807	12811817.1	
2733355	Shenzhen Mindray Bio-Medical Electronics Co., Ltd.	15/11/2013	2733355	13193073.7	
2733591	KDDI Corporation	29/06/2012	2733591	12811480.8	
2734005	NEC Corporation	11/07/2012	2734005	12811795.9	
2734019	Hangzhou Amphenol Phoenix Telecom Parts Co., Ltd.	14/03/2012	2734019	12811141.6	
2734881	ADC Telecommunications, INC.	19/07/2012	2734881	12817330.9	
2735203	BlackBerry Limited	22/07/2011	2735203	11870137.4	
2735418	SUMITOMO HEAVY INDUSTRIES, LTD.	08/11/2013	2735418	13192124.9	
2736200	Facebook, Inc.	13/11/2013	2736200	13192638.8	
2736840	Stamicarbon B.V. acting under the name of MT Innovation Center	26/07/2012	2736840	12748570.4	
2738038	Tokai Chemical Industries, Ltd.	18/07/2013	2738038	13820058.9	
2738148	KOMATSU MATERE Co., Ltd. The Nippon Road Co., Ltd.	29/06/2012	2738148	12807383.0	
2738452	LG Display Co., Ltd.	18/11/2013	2738452	13193295.6	
2739348	Medtronic, Inc. Kyocera Corporation	23/07/2012	2739348	12743601.2	
2739506	PSA Automobiles SA	12/07/2012	2739506	12744089.9	French
2740032	F.HOFFMANN-LA ROCHE AG	31/07/2012	2740032	12740978.7	
2740428	Biedermann Technologies GmbH & Co. KG	05/12/2012	2740428	12195759.1	
2740444	Dedienne Sante	09/12/2013	2740444	13196189.8	French
2740869	ROTO FRANK AG	07/12/2012	2740869	12008188.0	German
2741063	NTN Corporation	27/07/2012	2741063	12819872.8	
2741268	Toyota Jidosha Kabushiki Kaisha	04/08/2011	2741268	11870185.3	
2743536	Wagenaar Wegbebakening	05/11/2013	2743536	13191570.4	
2744052	Fujifilm Corporation	26/07/2012	2744052	12820101.9	
2744099	Zhou, Shunxin	28/06/2012	2744099	12821628.0	
2744480	Keranetics LLC	16/08/2012	2744480	12824532.1	
2744974	Baker Hughes, a GE company, LLC	03/08/2012	2744974	12824284.9	
2745073	The Trustees of Columbia University in the City of New York	15/08/2012	2745073	12823288.1	
2745094	Koninklijke Philips N.V.	27/08/2012	2745094	12787082.2	

2745693	Eidgenössisches Departement für Wirtschaft, Bildung und Forschung, Agroscope	20/12/2012	2745693	12198782.0	
2746740	IMEC VZW	20/12/2013	2746740	13198964.2	
2747099	Toda Kogyo Corp.	06/03/2008	2747099	14160562.6	
2747246	Lucchi R. Elettromeccanica S.r.l.	16/12/2013	2747246	13197328.1	
2747425	2236008 Ontario Inc.	08/03/2013	2747425	13158448.4	
2747479	Leadot Innovation, Inc.	10/12/2013	2747479	13196438.9	
2749152	Apple Inc.	26/10/2012	2749152	12790724.4	
2749179	KOHJIN Life Sciences Co., Ltd.	21/08/2012	2749179	12827062.6	
2749393	SUMITOMO HEAVY INDUSTRIES, LTD.	05/12/2013	2749393	13195830.8	
2750190	Sony Corporation	01/08/2012	2750190	12825220.2	
2750277	Mitsubishi Electric Corporation	17/03/2009	2750277	14162176.3	
2750806	Koninklijke Philips N.V.	13/12/2012	2750806	12821050.7	
2750920	Robert Bosch GmbH	26/07/2012	2750920	12745659.8	German
2751438	Scania CV AB	29/08/2012	2751438	12827396.8	
2751567	University of Iowa Research Foundation Integrated Dna Technologies, Inc.	30/08/2012	2751567	12828187.0	
2751674	Microsoft Technology Licensing, LLC	10/10/2011	2751674	11871515.0	
2751748	Digimarc Corporation	30/08/2012	2751748	12828080.7	
2751818	Cavendish Kinetics Inc.	31/08/2012	2751818	12772159.5	
2752091	OLEDWorks GmbH	22/11/2012	2752091	12816343.3	
2752515	Panasonic Corporation	14/03/2012	2752515	12828918.8	
2752524	Hitachi Construction Machinery Co., Ltd.	10/08/2012	2752524	12828010.4	
2753461	Evoshave Limited	05/09/2012	2753461	12778366.0	
2753825	XEMC Darwind BV	05/09/2012	2753825	12753527.6	
2754040	Microsoft Technology Licensing, LLC	04/09/2012	2754040	12829649.8	
2754237	Robert Bosch GmbH	31/08/2012	2754237	12753485.7	German
2754493	ROBERT BOSCH GMBH	18/12/2013	2754493	13197916.3	German
2755340	Beijing Nufont Mobile Multimedia Tech. Co., Ltd.	16/03/2012	2755340	12808016.5	
2755493	Kraft Foods R & D, Inc.	11/09/2012	2755493	12832511.5	
2755643	Nanocare Technologies, Inc.	17/09/2012	2755643	12832060.3	
2755876	Continental Teves AG & Co. OHG	12/09/2012	2755876	12756753.5	German
2755880	Trackside Services, Inc.	13/09/2012	2755880	12831357.4	

3642	(No. 2386)	Patents Office Journal	(29/05/2019)		
2757063	Toyota Jidosha Kabushiki Kaisha Murata Machinery, Ltd.	13/09/2012	2757063	12831942.3	
2757575	Lintec Corporation	05/09/2012	2757575	12832218.7	
2758116	Ambro B.V.	21/09/2012	2758116	12778461.9	
2758701	Norma U.S. Holding LLC	21/09/2012	2758701	12833416.6	
2758978	Schneider Electric USA, Inc.	17/09/2012	2758978	12766264.1	
2759715	Liebherr-Elektronik GmbH	17/01/2014	2759715	14000181.9	German
2759890	Kyocera Document Solutions Inc.	21/01/2014	2759890	14151944.7	
2760354	Acute Innovations, LLC	01/10/2012	2760354	12836708.3	
2760529	Nyxoah SA	28/09/2012	2760529	12834978.4	
2761237	Koninklijke Philips N.V.	26/09/2012	2761237	12784334.0	
2762164	ALTIMMUNE UK LIMITED	29/08/2008	2762164	14160760.6	
2762283	IMA Klessmann GmbH Holzbearbeitungssysteme	23/01/2014	2762283	14000240.3	German
2762899	EMH metering GmbH & Co. KG	04/02/2013	2762899	13000566.3	German
2762986	JTEKT CORPORATION	27/01/2014	2762986	14152588.1	
2763112	Siemens Schweiz AG	15/01/2014	2763112	14151212.9	German
2763165	Hitachi Automotive Systems, Ltd.	09/08/2012	2763165	12834998.2	
2763387	Samsung Electronics Co., Ltd.	04/02/2014	2763387	14153852.0	
2763490	Samsung Electronics Co., Ltd.	01/02/2008	2763490	14165313.9	
2763740	Becton, Dickinson and Company	05/10/2012	2763740	12778563.2	
2767724	NISSAN MOTOR CO., LTD.	11/10/2012	2767724	12840119.7	
2767813	Dinacell Electronica, S.L.	01/02/2012	2767813	12840492.8	
2768153	Huawei Technologies Co., Ltd.	28/10/2011	2768153	11874533.0	
2768567	B.Braun Medical SAS	19/10/2012	2768567	12788432.8	
2768650	BASF SE	19/10/2012	2768650	12775497.6	German
2768708	Robert Bosch GmbH	28/08/2012	2768708	12759040.4	German
2769314	Qualcomm Incorporated	19/10/2012	2769314	12790716.0	
2770005	Guangdong Shengyi Sci. Tech Co., Ltd	18/10/2011	2770005	11874396.2	
2770389	dSPACE digital signal processing and control engineering GmbH	22/02/2013	2770389	13156323.1	German
2770548	WESTON AEROSPACE LIMITED	17/02/2014	2770548	14155456.8	
2771716	Centre National de la Recherche Scientifique (C.N.R.S.) Université de Strasbourg	24/10/2012	2771716	12775528.8	French
2772212	Biedermann Technologies GmbH & Co. KG	01/03/2013	2772212	13157405.5	
2772255	Amorepacific Corporation	25/10/2012	2772255	12843151.7	

2774686	NSK Ltd.	08/08/2012	2774686	12846474.0	
2774836	Voith Patent GmbH	05/03/2014	2774836	14157885.6	German
2774889	Wacker Neuson Linz GmbH	04/03/2014	2774889	14000775.8	German
2775103	Rolls-Royce plc	03/03/2014	2775103	14157416.0	
2775337	Olympus Corporation	05/03/2014	2775337	14157864.1	
2775620	Ricoh Company, Ltd.	03/03/2014	2775620	14157433.5	
2775694	BlackBerry Limited	08/03/2013	2775694	13158317.1	
2775945	Avinger, Inc.	13/11/2012	2775945	12847102.6	
2776173	Earthway Products, Inc. Kendall, Jeffrey Sevrey, Richard Chapman, Richard H.	26/10/2012	2776173	12843982.5	
2776204	Hyperion Materials & Technologies (Sweden) AB	09/11/2012	2776204	12801448.7	
2777565	Stryker European Holdings I, LLC	10/03/2014	2777565	14158464.9	
2777806	GeniaLab BioTechnologie Produkte Und Dienstleistungen GmbH	12/03/2013	2777806	13158734.7	German
2777889	Panasonic Intellectual Property Management Co., Ltd.	10/03/2014	2777889	14158466.4	
2778116	ITCiCo Spain, S.L.	15/03/2013	2778116	13380008.6	
2778262	MacDermid Enthone America LLC	14/03/2014	2778262	14159998.5	
2778350	General Electric Company	13/03/2014	2778350	14159599.1	
2778503	Palo Alto Research Center Incorporated	11/03/2014	2778503	14158755.0	
2778656	Leica Biosystems Nussloch GmbH	13/03/2014	2778656	14159652.8	
2778665	Bruker AXS GmbH	15/03/2013	2778665	13159569.6	
2778778	Christie Digital Systems Canada, Inc.	11/03/2014	2778778	14158902.8	
2778821	Honeywell International Inc.	11/03/2014	2778821	14159001.8	
2779028	Hong Kong R&D Centre for Logistics and Supply Chain Management Enabling Technologies Limited	14/03/2014	2779028	14159801.1	
2779067	Maxim Integrated Products, Inc.	15/03/2013	2779067	13305296.9	
2779104	DreamWorks Animation LLC	14/03/2014	2779104	14159965.4	
2779149	Volvo Car Corporation	15/03/2013	2779149	13159332.9	
2779531	Arista Networks, Inc.	14/03/2014	2779531	14160106.2	
2779571	Ricoh Company, Ltd.	13/03/2014	2779571	14159372.3	
2780033	Five Prime Therapeutics, Inc.	13/11/2012	2780033	12849489.5	

3644	(No. 2386)	<i>Patents Office Journal</i>		(29/05/2019)	
2781404	Schmitz Cargobull Gotha GmbH KNORR-BREMSE Systeme für Nutzfahrzeuge GmbH	19/03/2014	2781404	14160720.0	German
2781478	Kabushiki Kaisha Toshiba	24/02/2014	2781478	14156328.8	
2781583	IFP Energies nouvelles	10/03/2014	2781583	14305339.5	French
2781599	TagCyx Biotechnologies	15/11/2012	2781599	12850348.9	
2782125	FUJI Corporation	30/10/2012	2782125	12849642.9	
2782378	NTT DoCoMo, Inc.	02/12/2010	2782378	14171364.4	
2782984	ENGIE	20/11/2012	2782984	12790531.3	French
2783156	Nölle, Jürgen	19/11/2012	2783156	12816439.9	German
2783748	Biotage AB	27/03/2013	2783748	13161362.2	
2783862	Brother Kogyo Kabushiki Kaisha	17/03/2014	2783862	14160308.4	
2783863	Brother Kogyo Kabushiki Kaisha	17/03/2014	2783863	14160310.0	
2784395	Electrolux Appliances Aktiebolag	25/03/2013	2784395	13160863.0	
2784429	Rainer, Johann	12/03/2014	2784429	14000881.4	German
2784927	Tokyo Institute of Technology	15/11/2012	2784927	12850833.0	
2784937	Robert Bosch GmbH	28/03/2014	2784937	14162425.4	
2785039	Orange	27/03/2014	2785039	14162044.3	French
2785099	NEC Corporation	03/10/2012	2785099	12852347.9	
2785561	Caterpillar SARL	26/10/2012	2785561	12787038.4	
2786274	Bull SAS	28/11/2012	2786274	12806586.9	French
2786406	Illinois Tool Works Inc.	28/11/2012	2786406	12799004.2	
2786583	Samsung Electronics Co., Ltd.	30/11/2012	2786583	12853626.5	
2786880	Sumitomo Rubber Industries, Ltd.	27/03/2014	2786880	14162109.4	
2787149	Herborner Pumpentechnik GmbH & Co KG	28/01/2014	2787149	14152863.8	German
2787300	MiTek Holdings, Inc.	07/03/2014	2787300	14158439.1	
2787306	Denso Corporation	05/09/2012	2787306	12852573.0	
2787378	Humboldt Universität zu Berlin Karlsruher Institut für Technologie	28/03/2014	2787378	14162345.4	
2787389	FUJITSU LIMITED	27/02/2014	2787389	14156959.0	
2787517	LG Innotek Co., Ltd.	10/08/2012	2787517	14169233.5	
2787903	Aesculap AG	17/11/2012	2787903	12791740.9	German
2788113	Saudi Arabian Oil Company	04/12/2012	2788113	12806764.2	
2788482	BASF SE	13/11/2012	2788482	12850161.6	
2788892	Bio-Rad Laboratories, Inc.	19/11/2012	2788892	12855663.6	
2788912	McAfee, LLC	07/12/2012	2788912	12855031.6	

2789711	Mahle Metal Leve S/A Mahle International GmbH	07/12/2012	2789711	12823236.0	
2789845	Benteler Automobiltechnik GmbH	20/03/2014	2789845	14160817.4	German
2790425	ZTE Corporation	15/03/2012	2790425	12864557.9	
2790706	Biophytis Sorbonne Université Institut National De La Recherche Agronomique	13/12/2012	2790706	12813926.8	French
2791202	Saudi Basic Industries Corporation	13/12/2012	2791202	12808684.0	
2792078	Daintree Networks Pty. Ltd.	06/12/2012	2792078	12856665.0	
2792585	Yamaha Hatsudoki Kabushiki Kaisha	28/03/2014	2792585	14162363.7	
2793137	Renesas Electronics Corporation	25/03/2014	2793137	14161427.1	
2793228	Huawei Technologies Co., Ltd.	04/03/2010	2793228	14174097.7	
2793251	Fuji Electric Co., Ltd.	18/03/2013	2793251	13764611.3	
2793457	Sony Corporation	20/11/2012	2793457	12857038.9	
2793756	The Royal Institution for the Advancement of Learning / McGill University	21/12/2012	2793756	12859682.2	
2794099	IFP Energies nouvelles Total Raffinage France	27/11/2012	2794099	12813900.3	French
2794943	Universal Technical Resource Services, Inc.	21/12/2012	2794943	12859572.5	
2795381	Oracle International Corporation	26/11/2012	2795381	12810445.2	
2795395	Global-OK Vision, Inc.	25/12/2012	2795395	12861923.6	
2795504	Akamai Technologies, Inc.	21/12/2012	2795504	12860306.5	
2795814	Samsung Electronics Co., Ltd.	14/11/2012	2795814	12850476.8	
2796469	Xencor, Inc.	17/09/2009	2796469	14167234.5	
2797238	Huawei Technologies Co., Ltd.	04/01/2013	2797238	13736259.6	
2797554	3DT Holdings, LLC	23/12/2012	2797554	12862624.9	
2798299	MAHLE Behr GmbH & Co. KG	21/12/2012	2798299	12813869.0	German
2799109	Cathrx Ltd	10/06/2005	2799109	14163461.8	
2799477	Rolls-Royce plc	31/03/2014	2799477	14162570.7	
2799690	Mitsubishi Heavy Industries, Ltd.	17/10/2012	2799690	12863532.3	
2799794	Quantrill Estate Inc.	29/12/2011	2799794	11878666.4	
2800312	Huawei Technologies Co., Ltd.	25/02/2013	2800312	13751673.8	
2800328	Huawei Technologies Co., Ltd.	20/01/2012	2800328	12732074.5	
2800390	Samsung Electronics Co., Ltd.	24/02/2014	2800390	14156331.2	

3646	(No. 2386)	Patents Office Journal	(29/05/2019)		
2801679	Zhang, Jia Ming Xu, Bei Jia Zhang, Qi Hui	19/12/2012	2801679	12860227.3	
2801761	Mitsubishi Hitachi Power Systems, Ltd.	25/12/2012	2801761	12864068.7	
2802832	Econotherm UK Limited	20/12/2012	2802832	12822981.2	
2803577	Airbus Operations GmbH	12/05/2014	2803577	14167993.6	
2803774	Qingdao Chuanghui Industry Co., Ltd	25/03/2013	2803774	13857666.5	
2803919	Daikin Industries, Ltd.	09/01/2013	2803919	13735935.2	
2803968	Siemens Industry Software NV	13/05/2013	2803968	13167410.3	
2804587	Yissum Research Development Company of the Hebrew University of Jerusalem Ltd.	17/01/2013	2804587	13703152.2	
2805852	Jungheinrich Aktiengesellschaft	20/05/2014	2805852	14169072.7	German
2806349	Kyocera Document Solutions Inc.	21/05/2014	2806349	14169201.2	
2806475	Samsung Display Co., Ltd.	16/05/2014	2806475	14168752.5	
2807111	The Regents of the University of Colorado, a body corporate	25/01/2013	2807111	13741207.8	
2807319	Kiekert Aktiengesellschaft	24/01/2013	2807319	13710966.6	German
2807737	Sungrow Power Supply Co., Ltd.	13/01/2013	2807737	13741065.0	
2807763	Samsung Electronics Co., Ltd.	28/01/2013	2807763	13740836.5	
2807852	NEC Corporation	22/01/2013	2807852	13741518.8	
2808254	The Boeing Company	08/05/2014	2808254	14167492.9	
2808598	Omron Corporation	09/03/2012	2808598	12826595.6	
2808741	Kyocera Document Solutions Inc.	28/05/2014	2808741	14170184.7	
2809008	Tohoku University Olympus Corporation	14/12/2012	2809008	12866477.8	
2809318	GRI Bio, Inc.	25/05/2012	2809318	12729377.7	
2809380	InjecTec Ltd	24/01/2013	2809380	13743093.0	
2810378	Nokia Solutions and Networks Oy	30/01/2012	2810378	12703032.8	
2810476	Qualcomm Incorporated	01/02/2013	2810476	13706787.2	
2810780	Seiko Epson Corporation	03/06/2014	2810780	14170904.8	
2811068	Valmet Technologies, Inc.	06/06/2013	2811068	13170730.9	
2811139	KCM Corporation	04/02/2013	2811139	13743737.2	
2811200	ContiTech Antriebssysteme GmbH	28/02/2014	2811200	14157113.3	German
2811248	Siemens Aktiengesellschaft	06/06/2013	2811248	13170747.3	German
2811761	Sivantos Pte. Ltd.	04/03/2014	2811761	14157657.9	German
2811981	Infectious Disease Research Institute	07/02/2013	2811981	13746983.9	
2812535	Quantex Patents Limited	31/01/2013	2812535	13704564.7	



2813943	VIA Alliance Semiconductor Co., Ltd.	20/03/2014	2813943	14160953.7	
2814292	BlackBerry Limited	03/06/2014	2814292	14171042.6	
2814788	Rogers Germany GmbH	13/02/2013	2814788	13710284.4	German
2814814	F.HOFFMANN-LA ROCHE AG	08/02/2013	2814814	13703073.0	
2815128	NETZSCH Pumpen & Systeme GmbH	14/02/2013	2815128	13719269.6	German
2815353	Columbus McKinnon Corporation	13/02/2013	2815353	13749217.9	
2815460	Sew-Eurodrive GmbH & Co. KG	14/01/2013	2815460	13700844.7	German
2815553	Apple Inc.	14/02/2013	2815553	13714036.4	
2816421	Oki Data Corporation	12/06/2014	2816421	14172101.9	
2816430	Rolls-Royce plc	11/06/2014	2816430	14171908.8	
2817585	Volcano Corporation	20/02/2013	2817585	13751259.6	
2817623	berYsol GmbH	25/02/2013	2817623	13711297.5	
2818006	Nokia Technologies Oy	22/02/2012	2818006	12869032.8	
2818247	Lehigh Technologies, Inc.	05/03/2008	2818247	14179367.9	
2819140	BlackBerry Limited	27/06/2013	2819140	13173957.5	
2819428	Jiangsu Betterlife Medical Co., Ltd	26/03/2012	2819428	12868997.3	
2819791	Campbell, Keith S.	26/02/2013	2819791	13754527.3	
2820265	United Technologies Corporation	25/02/2013	2820265	13790583.2	
2820405	Speir Hunter Ltd	01/03/2013	2820405	13709988.3	
2820457	OFS Fitel, LLC	04/03/2013	2820457	13755912.6	
2820595	Nokomis, Inc.	04/03/2013	2820595	13754466.4	
2820678	Lumileds Holding B.V.	28/02/2013	2820678	13718387.7	
2820744	Continental Automotive GmbH	26/02/2013	2820744	13706022.4	German
2820893	BlackBerry Limited	08/05/2013	2820893	13787578.7	
2821274	LG Electronics Inc.	26/03/2014	2821274	14161712.6	
2821282	Stanley Electric Co., Ltd.	02/07/2014	2821282	14175453.1	
2821391	Mitsubishi Chemical Corporation	26/02/2013	2821391	13754387.2	
2822036	OmniVision Technologies, Inc.	30/06/2014	2822036	14175090.1	
2822061	Volvo Car Corporation	20/03/2013	2822061	13160142.9	
2822778	Landa Corporation Ltd.	05/03/2013	2822778	13758105.4	
2822787	Prentice, Michael	05/03/2013	2822787	13757751.6	
2822802	Siemens Mobility GmbH	27/05/2013	2822802	13726486.7	German
2822833	ALSTOM Transport Technologies	05/03/2013	2822833	13708133.7	French
2823096	Dbapparel Operations	06/03/2013	2823096	13715271.6	French
2823693	Siemens Aktiengesellschaft	31/05/2012	2823693	12726780.5	German
2824476	Alcatel Lucent	12/07/2013	2824476	13306001.2	
	INRIA - Institut National de Recherche en Informatique et en Automatique				

3648	(No. 2386)	Patents Office Journal	(29/05/2019)		
2825106	Becton Dickinson France	13/03/2013	2825106	13724868.8	
2825145	Ricon Corp.	14/03/2013	2825145	13761896.3	
2825447	Rolls-Royce Marine AS	14/03/2013	2825447	13761538.1	
2825511	Wacker Chemie AG	11/03/2013	2825511	13709187.2	German
2825786	Dana Automotive Systems Group, LLC	13/03/2013	2825786	13712638.9	
2825790	ALSTOM Transport Technologies	05/03/2013	2825790	13709371.2	French
2825872	Element Six Technologies Limited	13/03/2013	2825872	13712177.8	
2825875	MKS Instruments, Inc.	13/03/2013	2825875	13761441.8	
2825876	Commissariat à l'Énergie Atomique et aux Énergies Alternatives	28/02/2013	2825876	13711077.1	French
2825913	BASF SE	18/03/2013	2825913	13761807.0	
2826201	BlackBerry Limited Certicom Corp.	08/03/2013	2826201	13714061.2	
2826268	BlackBerry Limited Certicom Corp.	08/03/2013	2826268	13718664.9	
2826285	Telefonaktiebolaget LM Ericsson (publ)	14/03/2012	2826285	12871474.8	
2826349	Mycronic AB	12/03/2013	2826349	13709417.3	
2826825	Dip-Tech Ltd.	15/07/2014	2826825	14177185.7	
2827057	Panasonic Corporation	12/03/2013	2827057	13760497.1	
2827231	LG Innotek Co., Ltd.	15/07/2014	2827231	14177168.3	
2827267	Disney Enterprises, Inc.	17/07/2014	2827267	14177389.5	
2827342	JX Nippon Oil & Energy Corporation	05/03/2013	2827342	13760864.2	
2827486	Panasonic Intellectual Property Management Co., Ltd.	08/03/2013	2827486	13761838.5	
2827586	Panasonic Corporation	05/03/2013	2827586	13760260.3	
2827877	Duke University The University of North Carolina at Chapel Hill The United States of America, as represented by The Secretary, Department of Health and Human Services MUSC Foundation For Research Development	08/03/2013	2827877	13790928.9	
2827879	Dana-Farber Cancer Institute, Inc. The General Hospital Corporation d/b/a Massachusetts General Hospital	13/03/2013	2827879	13764099.1	

---

2827883	Baxalta GmbH Baxalta Incorporated	31/01/2013	2827883	13703505.1	
2827914	TRB Chemedica International S.A.	22/03/2013	2827914	13714879.7	
2827924	PFM Medical AG	20/03/2013	2827924	13715131.2	German
2828193	Power Towers Limited	19/03/2013	2828193	13724311.9	
2828284	Biogen MA Inc.	15/03/2013	2828284	13765090.9	
2828456	Kiekert Aktiengesellschaft	16/03/2013	2828456	13718089.9	German
2828484	Ansaldo Energia IP UK Limited	21/03/2013	2828484	13714573.6	German
2828753	Triad National Security, LLC Imperial Innovations Limited	14/03/2013	2828753	13800730.7	
2828779	Zymeworks Inc.	12/03/2013	2828779	13763804.5	
2828781	Tata Consultancy Services Limited	05/03/2013	2828781	13781365.5	
2828826	Koninklijke Philips N.V.	22/03/2013	2828826	13723957.0	
2828845	Koninklijke Philips N.V.	01/03/2013	2828845	13718898.3	
2828939	Corning Incorporated	19/03/2013	2828939	13713701.4	
2828978	Zumtobel Lighting GmbH	19/03/2013	2828978	13711031.8	German
2829320	Unicharm Corporation	22/03/2013	2829320	13764449.8	
2829605	Kyoto University	20/02/2013	2829605	13763448.1	
2829893	Panasonic Corporation	12/03/2013	2829893	13765234.3	
2829947	BlackBerry Limited	23/07/2013	2829947	13177671.8	
2830142	UBE Industries, Ltd.	22/03/2013	2830142	13764421.7	
2830197	Bosch Automotive Products (Changsha) Co., Ltd	20/03/2013	2830197	13765050.3	
2830244	LG Electronics Inc.	22/03/2013	2830244	13764508.1	
2830380	Tata Consultancy Services Limited	10/03/2014	2830380	14158577.8	
2830414	The Regents of the University of California	13/03/2013	2830414	13769821.3	
2830491	AD-TECH MEDICAL INSTRUMENT CORPORATION	26/03/2013	2830491	13769089.7	
2830504	ARP Angewandte Radiologische Physik UG	22/03/2013	2830504	13716197.2	German
2830639	University of Central Florida Research Foundation, Inc.	09/03/2013	2830639	13770363.3	
2830806	Mahle International GmbH	25/03/2013	2830806	13714248.5	German
2830884	Hewlett-Packard Development Company, L.P.	30/03/2012	2830884	12872453.1	
2830892	Compagnie Générale des Etablissements Michelin	15/03/2013	2830892	13769293.5	

---

3650	(No. 2386)	<i>Patents Office Journal</i>		(29/05/2019)	
2831114	Eisai R&D Management Co., Ltd.	14/03/2013	2831114	13712651.2	
2831150	UPM-Kymmene Corporation	28/03/2013	2831150	13718605.2	
2831278	Somalogic, Inc.	28/03/2013	2831278	13767724.1	
2831298	SAXONIA Technical Materials GmbH	26/03/2013	2831298	13715919.0	German
2831591	GE Healthcare Bio-Sciences Corp.	21/03/2013	2831591	13715086.8	
2831870	Google LLC	26/03/2013	2831870	13769362.8	
2832083	Afiniti International Holdings, Ltd.	21/03/2013	2832083	13768796.8	
2832244	Japan Tobacco Inc.	27/03/2013	2832244	13769140.8	
2832537	Mitsubishi Chemical Corporation	29/03/2013	2832537	13769734.8	
2832709	Ube Industries, Ltd.	21/03/2013	2832709	13768590.5	
2832814	CCI CORPORATION	26/03/2013	2832814	13768361.1	
2833216	HP Printing Korea Co., Ltd.	12/02/2014	2833216	14154930.3	
2833314	Rakuten, Inc.	11/10/2012	2833314	12873206.2	
2833655	Sony Corporation	22/03/2013	2833655	13769471.7	
2833918	Massachusetts Institute of Technology	15/03/2013	2833918	13715498.5	
2833924	Bracco Imaging S.p.A.	28/03/2013	2833924	13712573.8	
2834005	Robert Bosch GmbH	21/02/2013	2834005	13705186.8	German
2834348	TissUse GmbH	28/02/2013	2834348	13715147.8	
2834511	Robert Bosch GmbH	28/03/2013	2834511	13715648.5	German
2834575	Logothetis, Georgios	28/03/2013	2834575	13716236.8	
2834711	Ricoh Company, Ltd.	28/03/2013	2834711	13771935.7	
2834757	Qwant	15/03/2013	2834757	13715322.7	French
2835040	Hypertherm, Inc.	14/01/2013	2835040	13702677.9	
2835550	NTN Corporation	29/03/2013	2835550	13772686.5	
2835589	LG Electronics Inc.	04/08/2014	2835589	14179736.5	
2835685	Sharp Kabushiki Kaisha	22/03/2013	2835685	13769042.6	
2835831	Samsung Display Co., Ltd.	07/08/2014	2835831	14180162.1	
2835870	Switchlab Inc.	05/08/2014	2835870	14179944.5	
	Switchlab (Shanghai) Co., Ltd.				
2836386	Robert Bosch GmbH	19/03/2013	2836386	13711639.8	German
2836401	Robert Bosch GmbH	18/03/2013	2836401	13709464.5	German
2836698	Robert Bosch GmbH	28/03/2013	2836698	13716747.4	German

---

2836840	Universite Paris Diderot UNIVERSITE PARIS 13 - PARIS NORD ASSISTANCE PUBLIQUE - HÔPITAUX DE PARIS Institut National de la Santé et de la Recherche Médicale (INSERM)	15/03/2013	2836840	13709257.3	
2837208	Ceebus Technologies, LLC	02/04/2013	2837208	13775859.5	
2837514	Bosal ACPS Holding 2 B.V.	04/07/2006	2837514	14183082.8	German
2837560	Immel, Svetlana Fieback, Tobias Ramcke, Lars	16/08/2013	2837560	13180667.1	German
2838145	Showa Denko K.K. DAINICHISEIKA COLOR & CHEMICALS MFG. CO., LTD.	15/03/2013	2838145	13775979.1	
2838154	Honeywell International Inc.	19/05/2014	2838154	14168910.9	
2838284	Sony Corporation	07/03/2013	2838284	13775819.9	
2838285	Sony Corporation	07/03/2013	2838285	13776241.5	
2838355	Lely Patent N.V.	14/03/2013	2838355	13713558.8	
2838452	BioSpine, LLC	15/03/2013	2838452	13777545.8	
2838848	Orbite Technologies Inc.	11/03/2013	2838848	13769350.3	
2839837	Children's Hospital of Eastern Ontario Research Institute Inc.	17/09/2007	2839837	14193656.7	
2840281	Vibracoustic GmbH	18/08/2014	2840281	14181329.5	German
2840324	Fujitsu General Limited	11/03/2014	2840324	14158913.5	
2840379	Institute of Nuclear Energy Research, Atomic	13/08/2013	2840379	13180167.2	
2843217	Keihin Corporation	17/07/2014	2843217	14177419.0	
2843265	Linde Hydraulics GmbH & Co. KG	01/08/2014	2843265	14179562.5	German
2843267	Linde Hydraulics GmbH & Co. KG	01/08/2014	2843267	14179560.9	German
2844038	Mitsui Mining and Smelting Co., Ltd.	26/12/2012	2844038	12875694.7	
2844505	Meijlink, Thomas Josephus Johannes	29/04/2013	2844505	13720133.1	
2848082	Telefonaktiebolaget LM Ericsson (publ)	15/03/2013	2848082	13717339.9	
2848975	Canon Kabushiki Kaisha	04/09/2014	2848975	14183511.6	
2850507	Samsung Electronics Co., Ltd.	10/05/2013	2850507	13790327.4	
2850552	Okta, Inc.	14/03/2013	2850552	13790319.1	
2850861	NEC Corporation	08/11/2012	2850861	12795755.3	

---

3652	(No. 2386)	Patents Office Journal	(29/05/2019)			
2851739	LUNEAU TECHNOLOGY OPERATIONS	08/09/2014	2851739	14183994.4	French	
2852524	Dr. Ing. h.c. F. Porsche AG	15/03/2013	2852524	13709781.2	German	
2852843	BIT Group France	17/05/2013	2852843	13728981.5	French	
2853055	Telefonaktiebolaget LM Ericsson (publ)	26/03/2013	2853055	13717586.5		
2853216	Covidien LP	09/09/2014	2853216	14184088.4		
2853424	Aisin Seiki Kabushiki Kaisha	14/05/2013	2853424	13794451.8		
2853616	Aalberts Surface Treatment GmbH	12/09/2014	2853616	14184532.1	German	
2853787	Eagle Industry Co., Ltd.	15/05/2013	2853787	13793548.2		
2853968	Siemens Aktiengesellschaft	27/09/2013	2853968	13186363.1		
2854416	Mitsubishi Electric Corporation	07/02/2013	2854416	13793924.5		
2854437	AirMagnet, Inc.	19/09/2014	2854437	14185522.1		
2854510	Ponsse OYJ	29/05/2013	2854510	13797125.5		
2854552	Bayer Cropscience AG	29/05/2013	2854552	13726742.3		
2854725	Koninklijke Philips N.V.	17/05/2013	2854725	13734846.2		
2854827	Ocean Spray Cranberries, Inc. The United States of America as represented by The Secretary of Agriculture	22/05/2013	2854827	13794333.8		
2855411	Lyondell Chemical Technology, L.P.	29/05/2013	2855411	13796859.0		
2855729	Applied Materials, Inc.	29/05/2012	2855729	12724615.5		
2856918	Hibiki Co. Ltd	28/05/2012	2856918	12877943.6		
2857377	Mitsubishi Chemical Corporation Genomatica, Inc.	03/06/2013	2857377	13801148.1		
2857451	The Yokohama Rubber Co., Ltd.	08/02/2013	2857451	13797066.1		
2857533	Oschatz Energy and Environment GmbH	24/09/2014	2857533	14186110.4	German	
2857652	Corea Electronics Corporation Fuji Bellows Co., Ltd	18/03/2011	2857652	14195393.5		
2857854	Hitachi Automotive Systems, Ltd.	24/05/2012	2857854	12877273.8		
2858069	Sony Corporation	15/03/2013	2858069	13797124.8		
2858106	Olympus Corporation	04/04/2013	2858106	13797870.6		
2858213	Mitsubishi Electric Corporation	22/10/2012	2858213	12877744.8		
2858664	Amunix Pharmaceuticals, Inc.	14/03/2013	2858664	13712656.1		
2858907	Graphic Packaging International, LLC	13/05/2013	2858907	13800346.2		
2859099	Codexis, Inc.	10/06/2013	2859099	13804239.5		
2859350	Pioma Inc.	05/06/2013	2859350	13800852.9		
2860335	Pyeonghwa Automotive Co., Ltd.	20/01/2014	2860335	14151804.3		

---

2860365	Innio Jenbacher GmbH & Co OG	06/10/2014	2860365	14003429.9	German
2860885	NEC Corporation	28/06/2013	2860885	13812973.9	
2861655	Bridgestone Corporation	18/06/2013	2861655	13807847.2	
2862120	OLogN Technologies AG	18/06/2013	2862120	13742265.5	
2862274	Institut für Rundfunktechnik GmbH	18/06/2013	2862274	13729392.4	
2862446	Morinaga Milk Industry Co., Ltd.	14/06/2013	2862446	13803647.0	
2863471	NGK Insulators, Ltd.	12/03/2013	2863471	13803708.0	
2863680	Cisco Technology, Inc.	08/09/2014	2863680	14183969.6	
2863733	Advanced Animal Diagnostics, Inc.	20/06/2013	2863733	13735126.8	
2863923	Oncoethix GmbH	25/06/2013	2863923	13730912.6	
2865047	RS MICROWAVE CO., INC.	30/05/2013	2865047	13727785.1	
2865412	Mainstay Medical Limited	17/10/2014	2865412	14189412.1	
2865777	JFE Steel Corporation	19/06/2013	2865777	13807143.6	
2866744	Titan Spine, Inc.	14/06/2013	2866744	13734231.7	
2866965	Hatzer, Markus	28/06/2013	2866965	13747951.5	German
2867360	Molecular Partners AG	27/06/2013	2867360	13731809.3	
2867565	Saint-Gobain Performance Plastics Corporation	25/06/2013	2867565	13808732.5	
2867655	Koninklijke Philips N.V.	26/06/2013	2867655	13766136.9	
2867819	McAfee, LLC	27/06/2013	2867819	13808946.1	
2868002	Qualcomm Incorporated	27/06/2013	2868002	13734302.6	
2868243	Airbus Operations GmbH	04/11/2013	2868243	13191377.4	
2869061	Cummins IP Inc.	10/10/2014	2869061	14188475.9	
2869264	Sony Interactive Entertainment Inc.	18/09/2014	2869264	14003243.4	
2869763	Edwards Lifesciences Corporation	02/07/2013	2869763	13813805.2	
2869961	Robert Bosch GmbH	26/06/2013	2869961	13732141.0	German
2869981	LEGO A/S	01/07/2013	2869981	13737123.3	
2870088	Laitram, L.L.C.	03/07/2013	2870088	13816087.4	
2870879	MC Food Specialties Inc.	08/07/2013	2870879	13816073.4	
2871523	Kaneka Corporation	02/07/2013	2871523	13812927.5	
2872046	Dune Medical Devices Ltd.	10/07/2013	2872046	13740371.3	
2873306	Université Grenoble Alpes	10/07/2013	2873306	13735269.6	French
2873645	Kyushu University National University Corporation	17/06/2013	2873645	13817567.4	
	Mitsubishi Gas Chemical Company, Inc.				
2874008	Konica Minolta, Inc.	11/11/2014	2874008	14192657.6	
2874191	Valeo Systemes Thermiques	17/11/2014	2874191	14193383.8	French

---

3654	(No. 2386)	Patents Office Journal	(29/05/2019)		
2874787	Actuant Corporation	19/07/2013	2874787	13820527.3	
2875258	ZF Friedrichshafen AG	20/06/2013	2875258	13731113.0	German
2875347	Astute Medical, Inc.	22/07/2013	2875347	13823735.9	
2875419	Sentons Inc.	09/07/2013	2875419	13820079.5	
2875527	Qualcomm Incorporated	19/07/2013	2875527	13745941.8	
2875660	LG Electronics Inc.	22/07/2013	2875660	13820634.7	
2876796	EM Microelectronic-Marin SA	17/11/2014	2876796	14193492.7	
2876806	Omron Corporation	19/06/2013	2876806	13820193.4	
2877064	Tempur-Pedic Management, LLC	27/07/2012	2877064	12881919.0	
2877200	Case Western Reserve University	17/07/2013	2877200	13820520.8	
2877394	Single Buoy Moorings Inc.	25/07/2013	2877394	13822413.4	
2878280	Z-Systems AG	26/11/2014	2878280	14194928.9	German
2878665	GC Corporation	17/05/2013	2878665	13823846.4	
2879171	SENJU METAL INDUSTRY CO., LTD.	25/07/2013	2879171	13823405.9	
2879470	Panasonic Intellectual Property Corporation of America	28/10/2014	2879470	14190565.3	
2879745	Covidien LP	31/07/2013	2879745	13825820.7	
2879990	Yanshan University	02/08/2013	2879990	13825107.9	
2880624	Koninklijke Philips N.V.	25/03/2013	2880624	13721100.9	
2880763	Brose Fahrzeugteile GmbH & Co. Kommanditgesellschaft, Bamberg	01/08/2013	2880763	13750502.0	German
2881009	E.T.A. S.p.A.	06/08/2014	2881009	14180058.1	
2881224	Lakeview Innovation Ltd.	26/03/2009	2881224	14004385.2	
2881422	Mitsubishi Chemical Corporation	05/08/2013	2881422	13827961.7	
2881897	IDEMIA France	09/12/2014	2881897	14196883.4	French
2882221	NEC Corporation	25/03/2013	2882221	13825468.5	
2882465	Nanyang Technological University	26/07/2013	2882465	13828142.3	
2882798	Patheon Austria GmbH & Co KG	09/08/2013	2882798	13750678.8	
2883205	InterDigital CE Patent Holdings	09/08/2012	2883205	12882631.0	
2883269	Robert Bosch GmbH Albertus, Paul Christensen, John F.	07/08/2013	2883269	13779649.6	
2883907	Daicel Corporation	08/08/2013	2883907	13828277.7	
2883911	NOK Corporation	19/07/2013	2883911	13827742.1	
2884833	Heimers, Karl	14/08/2013	2884833	13750552.5	German
2886414	Schweizerische Bundesbahnen SBB	20/12/2013	2886414	13198848.7	German
2887116	Yokogawa Electric Corporation	11/12/2014	2887116	14197505.2	



---

2887142	THALES	01/12/2014	2887142	14195665.6	French
2887395	SEMICONDUCTOR ENERGY LABORATORY CO., LTD.	29/10/2010	2887395	15154322.0	
2887530	Siemens Aktiengesellschaft	20/12/2013	2887530	13198901.4	German
2888075	Saint-Gobain Glass France	24/07/2013	2888075	13740006.5	German
2888293	Dow Global Technologies LLC	15/08/2013	2888293	13783706.8	
2888667	VMware, Inc.	27/08/2013	2888667	13759937.9	
2888761	Commissariat à l'Énergie Atomique et aux Énergies Alternatives	31/07/2013	2888761	13756637.8	French
2888781	Nokia Technologies Oy	13/08/2013	2888781	13830465.4	
2889032	Ewha University-Industry Collaboration Foundation	02/08/2013	2889032	13834243.1	
2889518	Eagle Industry Co., Ltd.	18/06/2013	2889518	13830404.3	
2889558	Rolls-Royce Corporation	23/12/2014	2889558	14199985.4	
2889742	Sony Corporation	12/12/2014	2889742	14197528.4	
2889923	Nichia Corporation	23/12/2014	2889923	14199933.4	
2890005	Vanchip (Tianjin) Technology Co. Ltd	02/07/2013	2890005	13831423.2	
2890183	InterDigital Technology Corporation	31/10/2007	2890183	15150918.9	
2890198	Google Technology Holdings LLC	27/03/2012	2890198	15152012.9	
2890657	Dow Global Technologies LLC	07/10/2013	2890657	13777437.8	
2891406	TSUJI OIL MILLS CO., LTD.	22/12/2014	2891406	14199655.3	
2892137	Bel Fuse (Macao Commercial Offshore) Ltd. (MCO)	06/01/2015	2892137	15150212.7	
2892453	NewSouth Innovations Pty Limited	28/02/2014	2892453	14839020.6	
2892500	Laboratoire In'Oya Latoxan Universite Aix-Marseille	05/09/2013	2892500	13762403.7	
2892728	Bundesdruckerei GmbH	05/09/2013	2892728	13756516.4	German
2893435	Carnegie Mellon University	09/09/2013	2893435	13834877.6	
2893571	Facebook Technologies, LLC	16/08/2013	2893571	13762755.0	
2893652	BlackBerry Limited	15/03/2013	2893652	13835016.0	
2893822	JAPAN TOBACCO INC.	26/03/2010	2893822	14199677.7	
2894232	JFE Steel Corporation	02/09/2013	2894232	13832537.8	
2894471	Kabushiki Kaisha Kobe Seiko Sho (Kobe Steel, Ltd.)	22/08/2013	2894471	13834625.9	
2894654	Shimadzu Corporation	06/09/2013	2894654	13834797.6	
2894679	Infineon Technologies Americas Corp.	22/02/2002	2894679	15154907.8	
2894710	Alcatel Lucent	10/01/2014	2894710	14305033.4	

---

3656	(No. 2386)	Patents Office Journal	(29/05/2019)		
2895039	The Richards Corporation	11/09/2013	2895039	13766436.3	
2895136	PARI Pharma GmbH	09/09/2013	2895136	13762091.0	
2895156	Pfizer Inc.	16/09/2013	2895156	13771005.9	
2895317	AFPT GmbH	02/09/2013	2895317	13753876.5	German
2895504	Stewart, John M.	16/09/2013	2895504	13837615.7	
2895980	École Polytechnique Fédérale de Lausanne (EPFL)	10/09/2013	2895980	13759239.0	
2896088	Goji Limited	12/09/2013	2896088	13815128.7	
2896447	IFP Energies nouvelles	12/01/2015	2896447	15305019.0	French
2896656	Toray Industries, Inc.	12/09/2013	2896656	13837132.3	
2897182	LG Innotek Co., Ltd.	09/08/2011	2897182	15156227.9	
2897224	KMW Inc.	12/09/2013	2897224	13836683.6	
2897296	NEC Corporation	17/09/2013	2897296	13837064.8	
2897465	International Flavors & Fragrances Inc.	18/09/2013	2897465	13839492.9	
2897742	Sulzer Mixpac AG	12/11/2013	2897742	13789347.5	German
2897953	Ironwood Pharmaceuticals, Inc.	19/09/2013	2897953	13770799.8	
2898615	Samsung Electronics Co., Ltd.	22/01/2013	2898615	13839143.8	
2900073	Mars, Incorporated	25/09/2013	2900073	13774024.7	
2900197	Avent, Inc.	12/09/2013	2900197	13799372.1	
2900358	LIST Technology AG	26/09/2013	2900358	13776984.0	German
2900365	HELSE STAVANGER HF	23/08/2013	2900365	13750897.4	
2900500	Valeo Equipements Electriques Moteur	20/09/2013	2900500	13779273.5	French
2901062	Technip France	27/09/2013	2901062	13782759.8	French
2901413	Apple Inc.	28/09/2012	2901413	12772267.6	
2901560	Samsung Electronics Co., Ltd.	27/09/2013	2901560	13842888.3	
2901630	Alcatel Lucent	09/09/2013	2901630	13815560.1	
2901761	Intel Corporation	16/09/2013	2901761	13842884.2	
2901987	Unicharm Corporation	28/08/2013	2901987	13842450.2	
2902847	Toray Industries, Inc.	11/09/2013	2902847	13840268.0	
2903007	National Institute of Advanced Industrial Science and Technology	11/09/2013	2903007	13840499.1	
2903426	SFD AS	26/09/2013	2903426	13844276.9	
2903432	Inguran, LLC	04/03/2013	2903432	13844253.8	
2904424	Robert Bosch GmbH	31/07/2013	2904424	13748280.8	German
2904462	Google LLC	01/10/2012	2904462	12885946.9	
2904615	AMC Holding	02/10/2013	2904615	13780184.1	French
2904765	Qualcomm Incorporated	04/10/2012	2904765	12886095.4	
2904766	Nokia Technologies OY	02/10/2013	2904766	13844142.3	

2904863	Qualcomm Incorporated	25/09/2013	2904863	13779438.4	
2904905	RHEON AUTOMATIC MACHINERY CO. LTD.	21/01/2015	2904905	15000158.4	
2905927	Honeywell International Inc.	28/01/2015	2905927	15152950.0	
2906325	Ingersoll-Rand Company	10/10/2013	2906325	13780286.4	
2906578	ARMARON BIO PTY LTD	11/10/2013	2906578	13846070.4	
2906776	Halliburton Energy Services, Inc.	15/10/2013	2906776	13847702.1	
2907384	Delkim Products Limited	10/02/2015	2907384	15154578.7	
2908313	Telefonaktiebolaget LM Ericsson (publ)	17/10/2011	2908313	15162742.9	
2908565	Fraunhofer-Gesellschaft zur Förderung der angewandten Forschung e.V.	13/02/2015	2908565	15155047.2	German
2908697	aeris GmbH	16/05/2013	2908697	13722766.6	German
2909554	NIKE Innovate C.V.	16/10/2013	2909554	13846719.6	
2909723	Microsoft Technology Licensing, LLC	16/10/2013	2909723	13786029.2	
2910985	Nippon Kayaku Kabushiki Kaisha	18/10/2013	2910985	13847359.0	
2911051	Xiaomi Inc.	23/02/2015	2911051	15156089.3	
2911382	EIZO Corporation	03/07/2013	2911382	13848489.4	
2911467	Intel Corporation	23/09/2010	2911467	14164162.1	
2911664	The General Hospital Corporation	22/10/2013	2911664	13848340.9	
2911920	Jaguar Land Rover Jaguar Land Rover Limited	28/10/2013	2911920	13783577.3	
2912194	Memorial Sloan-Kettering Cancer Center	25/10/2013	2912194	13791872.8	
2912921	LG Electronics Inc.	28/10/2013	2912921	13850923.7	
2913047	Cardio Incorporated	28/10/2013	2913047	13851236.3	
2913062	Japan Innovative Therapeutics, Inc. National University Corporation Tokyo University of Agriculture and Technology	24/10/2013	2913062	13848627.9	
2913070	Cardinal Health Switzerland 515 GmbH	13/11/2008	2913070	15164213.9	
2913090	Walker Filtration Limited	26/01/2015	2913090	15152454.3	
2913146	Citizen Machinery Co., Ltd. Citizen Watch Co., Ltd.	09/10/2013	2913146	13849057.8	
2913298	National Institute for Materials Science	21/10/2013	2913298	13848707.9	
2913994	Setech Co., Ltd.	10/10/2013	2913994	13851757.8	
2914103	Beagle Products Limited	01/11/2013	2914103	13792057.5	
2914670	Michelman, Inc.	04/11/2013	2914670	13789689.0	
2914685	Ecolab USA Inc.	18/10/2013	2914685	13851036.7	

3658	(No. 2386)	Patents Office Journal	(29/05/2019)			
2914688	Merck Patent GmbH	04/10/2013	2914688	13773619.5	German	
2915007	Carl Zeiss SMT GmbH	22/10/2013	2915007	13779605.8		
2915157	Truinject Corp.	29/10/2013	2915157	13803312.1		
2915243	Cree, Inc.	29/10/2013	2915243	13851497.1		
2915329	Milestone AV Technologies LLC	11/03/2013	2915329	13850449.3		
2915590	MTU Aero Engines AG	02/03/2015	2915590	15157092.6	German	
2915607	Fontaine Holdings NV	04/03/2014	2915607	14157634.8		
2915726	Scania CV AB	03/03/2015	2915726	15157307.8		
2915753	The Boeing Company	05/03/2015	2915753	15157847.3		
2915986	Caterpillar Motoren GmbH & Co. KG	07/03/2014	2915986	14158273.4		
2916181	Seiko Epson Corporation	05/03/2015	2916181	15157748.3		
2916189	Hexagon Technology Center GmbH	06/03/2014	2916189	14158174.4		
2916190	Volvo Car Corporation	04/03/2014	2916190	14157576.1		
2916384	NEC Corporation	25/06/2013	2916384	13850263.8		
2916406	Mecaroute	13/02/2015	2916406	15155003.5	French	
2916412	Huawei Technologies Co., Ltd.	12/02/2015	2916412	15154822.9		
2916447	General Electric Technology GmbH	05/03/2014	2916447	14275043.9		
2916566	GN Hearing A/S	03/03/2014	2916566	14157440.0		
2916756	Med-Sonics Corporation	15/10/2013	2916756	13853468.0		
2916894	Vetter Pharma-Fertigung GmbH & Co. KG	08/11/2013	2916894	13788760.0	German	
2917684	TRUMPF Maschinen Austria GmbH & Co. KG.	06/11/2013	2917684	13815674.0	German	
2917884	Commissariat à l'Énergie Atomique et aux Énergies Alternatives	12/11/2013	2917884	13789792.2	French	
2918446	AUDI AG	09/03/2015	2918446	15000678.1	German	
2918540	The Raymond Corporation	10/03/2015	2918540	15158439.8		
2918672	Tets, Viktor Veniaminovich Tets, Georgy Viktorovich	13/05/2013	2918672	13853343.5		
2919000	PHC Holdings Corporation	19/11/2013	2919000	13863266.6		
2919023	Yokogawa Electric Corporation	10/03/2015	2919023	15158531.2		
2919050	LuxNet Corporation	17/06/2014	2919050	14002088.4		
2919088	Dialog Semiconductor (UK) Limited	13/03/2014	2919088	14159330.1		
2919143	LG Electronics Inc.	22/01/2015	2919143	15152193.7		
2919195	Baumer Optronic GmbH	10/03/2014	2919195	14158638.8	German	
2919279	OMRON CORPORATION	13/02/2015	2919279	15154993.8		
2919483	Oticon Medical A/S University College London	11/03/2014	2919483	14158959.8		

2919535	LG Electronics Inc.	10/03/2015	2919535	15158335.8	
2919542	BlackBerry Limited	11/03/2014	2919542	14305351.0	
2919803	Ceva Santé Animale	15/11/2013	2919803	13791813.2	
2919917	Eisenmann SE	25/10/2013	2919917	13783848.8	German
2920057	G.B.L. Fiduciaria S.P.A	13/11/2013	2920057	13820859.0	
2920281	BASF SE	08/11/2013	2920281	13791965.0	
2921186	Howmedica Osteonics Corp.	17/03/2015	2921186	15159360.5	
2921320	Sypris Technologies, Inc.	11/03/2015	2921320	15158623.7	
2921422	Borges Branded Foods SLU	12/11/2013	2921422	13855208.8	
2921523	Yazaki Corporation	13/11/2013	2921523	13855967.9	
2921656	Ansaldo Energia Switzerland AG	20/03/2014	2921656	14160803.4	
2921773	The Boeing Company	11/03/2015	2921773	15158664.1	
2921783	BSH Hausgeräte GmbH	03/03/2015	2921783	15157342.5	
2921804	Electrolux Appliances Aktiebolag	19/03/2014	2921804	14160677.2	
2921880	Deutsche Telekom AG	19/03/2014	2921880	14160786.1	German
2922086	Versum Materials US, LLC	16/12/2014	2922086	14198123.3	
2922104	LG Chem, Ltd.	28/11/2013	2922104	13859163.1	
2923340	Antopolsky, Eliahu Gottman, Yacov	18/11/2013	2923340	13857473.6	
2923721	Löwenstein Medical Technology S.A.	26/03/2015	2923721	15000890.2	German
2923865	Benteler Automobiltechnik GmbH	03/03/2015	2923865	15157424.1	German
2923904	ALSTOM Transport Technologies	04/03/2015	2923904	15157553.7	French
2923952	Airbus Defence and Space GmbH	17/03/2015	2923952	15000782.1	German
2924003	LXP Group GmbH	26/03/2014	2924003	14161685.4	
2924085	Samsung SDI Co., Ltd.	26/03/2015	2924085	15161125.8	
2924210	Alban Giacomo S.p.A.	19/03/2015	2924210	15159948.7	
2924407	Showa Corporation	27/10/2014	2924407	14190427.6	
2924477	SICK AG	16/03/2015	2924477	15159167.4	German
2924531	ROBERT BOSCH GMBH	23/02/2015	2924531	15156109.9	German
2925200	Vorwerk & Co. Interholding GmbH	27/11/2013	2925200	13805293.1	German
2925340	Abdel-Malek, Zalfa A. Koikov, Leonid Knittel, James J. University Of Cincinnati	20/11/2013	2925340	13857618.6	
2925349	Max-Delbrück-Centrum für molekulare Medizin (MDC) Berlin-Buch	29/11/2013	2925349	13796113.2	
2925646	Intelligrated Headquarters LLC	26/11/2013	2925646	13858192.1	
2926010	Industrie Saleri Italo S.P.A.	17/09/2013	2926010	13801738.9	

3660	(No. 2386)	<i>Patents Office Journal</i>		(29/05/2019)	
2926412	Rosenberger Hochfrequenztechnik GmbH & Co. KG	29/10/2013	2926412	13786166.2	German
2926473	Qualcomm Incorporated	06/02/2013	2926473	13708258.2	
2926726	TomTom International B.V.	30/03/2015	2926726	15161649.7	
2927060	Clarion Co., Ltd. NISSAN MOTOR CO., LTD.	21/11/2013	2927060	13858178.0	
2927115	Roller Bearing Company of America, Inc.	04/06/2014	2927115	14171081.4	
2927594	Rolls-Royce Deutschland Ltd & Co KG	10/03/2015	2927594	15158442.2	German
2927636	Honeywell International Inc.	18/03/2015	2927636	15159754.9	
2927727	Whelen Engineering Company, Inc.	19/03/2015	2927727	15159894.3	
2927791	Volkswagen Aktiengesellschaft	11/03/2015	2927791	15158648.4	German
2927861	SAP SE	31/03/2015	2927861	15161964.0	
2927868	Heidelberger Druckmaschinen AG	09/03/2015	2927868	15158158.4	German
2927870	Panasonic Intellectual Property Management Co., Ltd.	20/03/2015	2927870	15160026.9	
2927873	Canon Kabushiki Kaisha	27/03/2015	2927873	15000909.0	
2927903	BlackBerry Limited	25/03/2015	2927903	15160923.7	
2928214	Oticon A/S	24/03/2015	2928214	15160436.0	
2928280	Dr. Johannes Heidenhain GmbH	11/03/2015	2928280	15158645.0	German
2928645	Flex-Elektrowerkzeuge GmbH	04/12/2013	2928645	13799085.9	German
2928744	Jaguar Land Rover Limited	06/12/2013	2928744	13802041.7	
2928790	Dow AgroSciences, LLC	03/12/2013	2928790	13860877.3	
2929616	Hunza Holdings Limited	14/11/2013	2929616	13855907.5	
2929669	Alibaba Group Holding Limited	02/12/2013	2929669	13818043.5	
2930506	Commissariat à l'Énergie Atomique et aux Énergies Alternatives	01/04/2015	2930506	15162230.5	French
2930735	Schneider Electric Industries SAS	26/12/2013	2930735	13867090.6	
2930797	Weidmüller Interface GmbH & Co. KG	18/03/2015	2930797	15159586.5	German
2930903	Cisco Technology, Inc.	24/03/2015	2930903	15160681.1	
2931185	Integrity Implants Inc.	05/12/2013	2931185	13862126.3	
2931313	Merck Sharp & Dohme Corp.	09/12/2013	2931313	13863590.9	
2932070	United Technologies Corporation	16/12/2013	2932070	13874386.9	
2932393	Microsoft Technology Licensing, LLC	14/12/2013	2932393	13818586.3	
2932504	InterDigital CE Patent Holdings	03/12/2013	2932504	13801544.1	
2932664	Cisco Technology, Inc.	12/12/2013	2932664	13815899.3	
2932955	Zoll Medical Corporation	19/03/2007	2932955	15167571.7	
2933685	Canon Kabushiki Kaisha	13/12/2013	2933685	13862540.5	

---

2933743	Université de Rennes 1 Centre National de la Recherche Scientifique INRIA - Institut National de Recherche en Informatique et en Automatique	18/04/2014	2933743	14165298.2	
2933958	Cisco Technology, Inc.	23/03/2015	2933958	15160384.2	
2933965	Huawei Device Co., Ltd.	13/03/2014	2933965	14763524.7	
2934112	Dow Agrosciences LLC	19/12/2013	2934112	13864015.6	
2934295	Koninklijke Philips N.V.	20/12/2013	2934295	13831910.8	
2934525	Merck Sharp & Dohme Corp.	19/12/2013	2934525	13864370.5	
2936190	THALES	17/12/2013	2936190	13814087.6	French
2936282	DAV	18/12/2013	2936282	13821852.4	French
2937026	SEB S.A.	22/04/2015	2937026	15164729.4	French
2937049	Stryker Trauma SA	10/03/2014	2937049	15167691.3	
2937784	CANON KABUSHIKI KAISHA	31/03/2015	2937784	15161890.7	
2937810	SICK AG	30/03/2015	2937810	15161554.9	German
2937841	GRG Banking Equipment Co., Ltd.	02/07/2013	2937841	13867896.6	
2938381	Alphonse, Sandra	28/12/2012	2938381	12891299.5	
2939020	bioMérieux	27/12/2013	2939020	13827024.4	French
2939523	Deere & Company	17/04/2015	2939523	15164062.0	German
2939769	Sumitomo Electric Hardmetal Corp.	01/11/2013	2939769	13868993.0	
2941136	Richards, Lee	02/01/2014	2941136	14735357.7	
2941769	Kopin Corporation	27/12/2013	2941769	13818176.3	
2941955	Tohoku University	27/12/2013	2941955	13868543.3	
2943168	3M Innovative Properties Company	07/01/2014	2943168	14738192.5	
2943169	Pelican Healthcare Limited	10/01/2014	2943169	14700122.6	
2944113	Nokia Technologies Oy	06/01/2014	2944113	14737798.0	
2944145	Huawei Technologies Co., Ltd.	20/03/2013	2944145	13711040.9	
2944356	Mercenari Uribe, Fernando Humberto	18/12/2013	2944356	13878321.2	
2944559	ABB Oy	13/05/2014	2944559	14168086.8	
2944616	O.M.C.A. di Bassi Giovanni	31/03/2015	2944616	15161928.5	
2945272	Schneider Toshiba Inverter Europe SAS	13/04/2015	2945272	15163313.8	French
2945358	Mitel Networks Corporation	14/05/2015	2945358	15167744.0	
2945417	China Academy of Telecommunications Technology	23/12/2013	2945417	13871033.0	
2945619	UCL Business PLC	17/01/2014	2945619	14702299.0	
2945778	Illinois Tool Works Inc.	26/12/2013	2945778	13819185.3	

---

3662	(No. 2386)	Patents Office Journal	(29/05/2019)		
2945787	S.I.P.A. Società Industrializzazione Progettazione e Automazione S.p.A.	21/01/2014	2945787	14716918.9	
2946224	QUALCOMM Incorporated	11/01/2014	2946224	14703658.6	
2946269	BlackBerry Limited	16/01/2013	2946269	13872106.3	
2947100	Galenagen, LLC	06/01/2010	2947100	15152332.1	
2947421	General Electric Company	18/05/2015	2947421	15167980.0	
2947429	Nippon Seiki Co., Ltd.	20/01/2014	2947429	14740646.6	
2948271	CABOT MICROELECTRONICS CORPORATION	16/01/2014	2948271	14702711.4	
2948590	Valmet AB	24/01/2013	2948590	13872956.1	
2948658	Aries Gasification, LLC	29/01/2013	2948658	13873081.7	
2948691	KNORR-BREMSE Systeme für Nutzfahrzeuge GmbH	24/01/2014	2948691	14701374.2	German
2948769	Neoproteomics AB	22/01/2014	2948769	14743417.9	
2948864	Amazon Technologies, Inc.	22/01/2014	2948864	14743308.0	
2948986	RGR Partners Finland Oy	11/07/2013	2948986	13872283.0	
2949075	Alcatel Lucent	20/01/2014	2949075	14704430.9	
2949167	Sony Corporation	17/01/2014	2949167	14700784.3	
2949168	Sony Corporation	17/01/2014	2949168	14700786.8	
2949715	Rohm and Haas Electronic Materials LLC	26/05/2015	2949715	15169155.7	
2949767	Nippon Steel & Sumitomo Metal Corporation	06/11/2013	2949767	13857398.5	
2949911	MAN Truck & Bus AG	07/03/2015	2949911	15000673.2	German
2949963	AISIN SEIKI KABUSHIKI KAISHA	27/05/2015	2949963	15169392.6	
2950026	Nortek Air Solutions Canada, Inc.	17/03/2015	2950026	15159498.3	
2950284	Ingenico Group	12/05/2015	2950284	15167408.2	French
2950294	Honda Research Institute Europe GmbH	20/06/2014	2950294	14173271.9	
2950585	LG Electronics Inc.	21/01/2014	2950585	14740145.9	
2950734	Renal Dynamics Ltd.	30/01/2014	2950734	14707454.6	
2951282	The Charles Stark Draper Laboratory, Inc. Massachusetts Institute of Technology	29/01/2014	2951282	14706712.8	
2951371	Kiekert Aktiengesellschaft	22/11/2013	2951371	13830172.6	German
2951466	Cummins IP, Inc.	23/01/2014	2951466	14745369.0	
2952103	Symrise AG	05/06/2014	2952103	14171310.7	German



2952718	TOYOTA JIDOSHA KABUSHIKI KAISHA	29/01/2013	2952718	13874190.5	
2953544	Intervet Inc. Intervet International B.V.	29/01/2014	2953544	14749175.7	
2953902	Ipurtech Limited	05/02/2014	2953902	14703069.6	
2954662	ARRIS Enterprises LLC	13/03/2014	2954662	14722440.6	
2955203	Kuraray Co., Ltd.	05/02/2014	2955203	14748833.2	
2955284	Doosan Infracore Co., Ltd.	06/02/2014	2955284	14748792.0	
2955302	Assa Abloy Aube Anjou	12/06/2015	2955302	15171771.7	French
2955461	General Electric Technology GmbH	09/06/2015	2955461	15171232.0	
2955770	Dai Nippon Printing Co., Ltd.	05/02/2014	2955770	14748668.2	
2955935	Samsung Electronics Co., Ltd.	29/05/2015	2955935	15169955.0	
2956237	Propagroup S.p.A.	13/02/2014	2956237	14715996.6	
2956647	United Technologies Corporation	06/11/2013	2956647	13874867.8	
2957087	NEC Corporation	15/02/2013	2957087	13710796.7	
2958134	Bruker Scientific LLC	29/05/2015	2958134	15169775.2	
2958372	Huawei Technologies Co., Ltd.	18/02/2013	2958372	13875232.4	
2958420	Forge Company B.V.	12/02/2014	2958420	14705599.0	
2958560	Forsyth Dental Infirmary for Children	15/03/2013	2958560	13875725.7	
2958573	The Board of Supervisors of the Louisiana State University Mechanical and Agricultural College	20/02/2014	2958573	14754330.0	
2958693	Ceratizit Austria Gesellschaft m.b.H.	18/02/2014	2958693	14717971.7	German
2958713	Benchmade Knife Co., Inc.	13/02/2014	2958713	14753763.3	
2959093	Baker Hughes, a GE company, LLC	20/02/2014	2959093	14754040.5	
2959135	United Technologies Corporation	06/11/2013	2959135	13875496.5	
2959152	Daimler AG	07/02/2014	2959152	14703777.4	German
2959228	ExxonMobil Upstream Research Company	17/02/2014	2959228	14707590.7	
2959771	Seminis Vegetable Seeds, Inc.	16/06/2015	2959771	15172262.6	
2959810	Panasonic Intellectual Property Management Co., Ltd.	25/02/2014	2959810	14754025.6	
2960379	J.C. Bamford Excavators Ltd.	02/06/2015	2960379	15170339.4	
2960486	ROBERT BOSCH GMBH	01/06/2015	2960486	15170032.5	German
2960513	MITSUBISHI HEAVY INDUSTRIES THERMAL SYSTEMS, LTD.	20/07/2012	2960513	15177846.1	
2960716	Mitsumi Electric Co., Ltd.	12/08/2010	2960716	15168413.1	
2961035	NEC Corporation	20/02/2014	2961035	14753585.0	

3664	(No. 2386)	Patents Office Journal	(29/05/2019)		
2961040	Mitsubishi Electric Corporation	20/02/2013	2961040	13875570.7	
2961116	Ciena Corporation	23/06/2015	2961116	15173439.9	
2961220	Huawei Device Co., Ltd.	18/03/2014	2961220	14768358.5	
2961375	Kao Corporation	16/09/2013	2961375	13762498.7	
2961463	Cook Medical Technologies LLC	30/01/2014	2961463	14705255.9	
2961491	RAS Technology S.à.r.l.	30/01/2014	2961491	14703304.7	
2961508	Kuss Filtration Inc.	27/02/2014	2961508	14756779.6	
2961587	S.I.P.A. Società Industrializzazione Progettazione e Automazione S.p.A.	26/02/2014	2961587	14716922.1	
2961779	Basell Polyolefine GmbH	26/02/2014	2961779	14757036.0	
2961788	California Institute of Technology	01/03/2013	2961788	13876452.7	
2962425	T-Mobile USA, Inc.	26/02/2014	2962425	14757623.5	
2962721	Abiomed Europe GmbH	04/07/2014	2962721	14175797.1	
2963167	NAPORO Klima Dämmstoff GmbH	30/06/2014	2963167	14175092.7	German
2963292	TGK CO., Ltd.	18/02/2015	2963292	15175011.4	
2963402	NXP B.V.	01/07/2014	2963402	14175230.3	
2963523	Immersion Corporation	29/06/2015	2963523	15174407.5	
2963973	NEC Corporation	17/03/2011	2963973	15178925.2	
2964137	Dental Lab Aesthetics, LLC	07/03/2014	2964137	14760266.8	
2964163	Ottobock SE & Co. KGaA	10/03/2014	2964163	14709881.8	German
2964228	University of Maryland, Baltimore West Virginia University	06/03/2014	2964228	14759505.2	
2964280	Aesculap AG	05/03/2014	2964280	14707814.1	
2964395	ALLERGAN, INC.	05/03/2014	2964395	14712481.2	
2964418	Lawrence Livermore National Security, LLC	05/03/2014	2964418	14760359.1	
2964502	Volvo Truck Corporation	06/03/2013	2964502	13877266.0	
2964688	Evonik Degussa GmbH	04/02/2014	2964688	14702283.4	German
2964765	Keck Graduate Institute of Applied Life Sciences	07/03/2014	2964765	14759649.8	
2964805	Quaker Chemical Corporation	06/03/2014	2964805	14760796.4	
2964917	Scania CV AB	03/03/2014	2964917	14759694.4	
2965175	Google LLC	03/03/2014	2965175	14712869.8	
2965225	Google LLC	05/03/2014	2965225	14760121.5	
2965371	Umicore Umicore Korea Ltd.	08/03/2013	2965371	13876985.6	
2965765	EPITECH GROUP S.p.A.	07/07/2015	2965765	15175689.7	

---

2965827	ThyssenKrupp Steel Europe AG thyssenkrupp AG	25/06/2015	2965827	15173796.2	German
2965932	Panasonic Intellectual Property Management Co., Ltd.	05/03/2014	2965932	14760661.0	
2966125	Mitsubishi Gas Chemical Company, Inc.	05/03/2014	2966125	14760188.4	
2966175	Cassiopea S.p.A.	24/07/2008	2966175	15175112.0	
2966179	Sekisui Medical Co., Ltd. Mie University	07/03/2014	2966179	14761083.6	
2967038	NATIONAL CENTER FOR SCIENTIFIC RESEARCH "DEMOKRITOS"	14/03/2014	2967038	14712237.8	
2967143	Altria Client Services LLC	10/03/2014	2967143	14714506.4	
2967145	Altria Client Services LLC	12/03/2014	2967145	14714897.7	
2967230	SELECT COMFORT CORPORATION	14/03/2014	2967230	14724565.8	
2967231	The Ergo Baby Carrier, Inc.	13/03/2014	2967231	14773586.4	
2967245	Hunter Douglas Inc.	11/03/2013	2967245	13880806.8	
2967459	Haemonetics Corporation	14/03/2014	2967459	14765040.2	
2967746	Baylis Medical Company Inc.	11/03/2014	2967746	14763885.2	
2967904	Paradigm Spine, LLC.	17/03/2014	2967904	14765710.0	
2967975	Maaskamp, Ryan Maaskamp, Armand Salgado, Gervasio	12/03/2014	2967975	14779488.7	
2967991	D.O.R.C. Dutch Ophthalmic Research Center (International) B.V.	13/03/2014	2967991	14714411.7	
2968107	Mary Kay, Inc.	11/03/2014	2968107	14771111.3	
2968383	Insite Vision Incorporated	07/03/2014	2968383	14767754.6	
2968400	Baxalta GmbH Baxalta Incorporated	21/01/2014	2968400	14774362.9	
2968515	Takeda Vaccines, Inc.	13/03/2014	2968515	14717940.2	
2968549	Momenta Pharmaceuticals, Inc.	12/03/2014	2968549	14769180.2	
2968564	Stichting Het Nederlands Kanker Instituut- Antoni van Leeuwenhoek Ziekenhuis	12/03/2014	2968564	14714409.1	
2968756	DEKA Products Limited Partnership	14/03/2014	2968756	14720397.0	
2968818	Teleflex Medical Incorporated	14/03/2014	2968818	14767486.5	
2968820	Koninklijke Philips N.V.	10/03/2014	2968820	14713594.1	
2969007	Celgene Quanticel Research, Inc.	13/03/2014	2969007	14767499.8	

---

2969050	OY Halton Group Ltd.	14/03/2014	2969050	14770457.1
2969054	Tyco Fire Products LP	14/03/2014	2969054	14717627.5
2969074	Daniels, David	18/03/2014	2969074	14764724.2
2969173	Corner Star Limited	13/03/2014	2969173	14721080.1
2969227	Iceutica Inc.	17/03/2014	2969227	14765788.6
2969229	General Electric Company	12/03/2014	2969229	14767694.4
2969287	GED Integrated Solutions, Inc.	07/03/2014	2969287	14774860.2
2969296	ATI Properties LLC	03/03/2014	2969296	14712855.7
2969420	Robert Bosch GmbH	13/03/2014	2969420	14775452.7
2969554	Rolls-Royce Corporation	10/03/2014	2969554	14716670.6
2969677	Kelsey-Hayes Company	17/03/2014	2969677	14762531.3
2969735	Hadal, Inc.	14/03/2014	2969735	14721667.5
2969959	The Shepherd Color Company	13/03/2014	2969959	14721616.2
2969989	Unifrax I LLC	14/03/2014	2969989	14767432.9
2970089	PROMETIC PHARMA SMT LIMITED	14/03/2014	2970089	14764458.7
2970090	University of Macau	14/03/2014	2970090	14764257.3
2970102	Biophore India Pharmaceuticals Pvt. Ltd.	04/03/2014	2970102	14762978.6
2970122	Aquinox Pharmaceuticals (Canada) Inc.	27/02/2014	2970122	14710727.0
2970205	Tolero Pharmaceuticals, Inc.	13/03/2014	2970205	14721083.5
2970335	Gilead Sciences, Inc.	14/03/2014	2970335	14723582.4
2970368	Monsanto Technology LLC	11/03/2014	2970368	14776232.2
2970492	Wake Forest University Health Sciences	14/03/2014	2970492	14768059.9
2970630	Lubrizol Advanced Materials, Inc.	12/03/2014	2970630	14718825.4
2970765	General Electric Company	14/03/2014	2970765	14720825.0
2970898	Taiga Biotechnologies, Inc.	11/03/2014	2970898	14778538.0
2970899	ViaCyte, Inc.	13/03/2014	2970899	14721621.2
2970944	Onco Therapy Science, Inc.	11/03/2014	2970944	14763683.1
2970987	ModernaTX, Inc.	14/03/2014	2970987	14715521.2
2971032	Abbott Molecular Inc.	14/03/2014	2971032	14765076.6
2971159	Molecular Loop Biosolutions, LLC	14/03/2014	2971159	14770132.0
2971162	Board of Regents, The University of Texas System Beth Israel Deaconess Medical Center, Inc.	14/03/2014	2971162	14770497.7
2971192	ESM Group Inc.	04/03/2014	2971192	14769328.7

---

---

2971341	Albany International Corp.	11/03/2014	2971341	14719904.6	
2971378	Hexagon Technology Center GmbH	13/03/2014	2971378	14765345.5	
2971463	Robertson Intellectual Properties, LLC	14/03/2014	2971463	14771091.7	
2971582	Rolls-Royce North American Technologies, Inc.	03/12/2013	2971582	13863706.1	
2971691	United Technologies Corporation	11/03/2014	2971691	14807870.2	
2971781	Thermo King Corporation	14/03/2014	2971781	14762434.0	
2971882	Fisher Controls International LLC	10/03/2014	2971882	14719547.3	
2971885	Fisher Controls International LLC	13/03/2014	2971885	14719576.2	
2972016	Bosch Automotive Service Solutions Inc. Robert Bosch GmbH	12/03/2014	2972016	14778475.5	
2972030	E. & J. Gallo Winery	17/03/2014	2972030	14764158.3	
2972058	Honeywell International Inc.	11/03/2014	2972058	14807267.1	
2972059	Honeywell International Inc.	09/03/2014	2972059	14808419.7	
2972099	Audi AG	06/03/2014	2972099	14708486.7	German
2972135	Rosemount Tank Radar AB	11/03/2014	2972135	14709642.4	
2972136	Rosemount Tank Radar AB	11/03/2014	2972136	14712227.9	
2972182	MTS Systems Corporation	12/03/2014	2972182	14721052.0	
2972222	Gen-Probe Incorporated	07/03/2014	2972222	14715169.0	
2972352	The Regents of the University of California	13/03/2014	2972352	14775177.0	
2972627	MTD Products Inc	17/03/2014	2972627	14724219.2	
2972700	Gottlieb, Stacey	14/03/2014	2972700	14763030.5	
2972818	BlackBerry Limited	13/03/2014	2972818	14785180.2	
2972831	Cisco Technology, Inc.	10/03/2014	2972831	14714505.6	
2972976	Fluke Corporation	15/03/2014	2972976	14763237.6	
2973103	Parker-Hannifin Corporation	12/03/2014	2973103	14722834.0	
2973111	Fluke Corporation	15/03/2014	2973111	14763324.2	
2973486	Fluke Corporation	15/03/2014	2973486	14765607.8	
2973504	Karsten Manufacturing Corporation	13/03/2014	2973504	14727270.2	
2973606	Biotectix LLC	14/03/2014	2973606	14765546.8	
2973642	The Timken Company	11/03/2014	2973642	14721591.7	
2973704	Qualcomm Incorporated	10/03/2014	2973704	14713736.8	
2973714	Lumileds Holding B.V.	05/03/2014	2973714	14713589.1	
2973789	Sion Power Corporation	13/03/2014	2973789	14769768.4	
2973806	Sion Power Corporation	15/03/2013	2973806	13878287.5	
2973842	Allison Transmission, Inc.	06/03/2014	2973842	14775711.6	

---

3668	(No. 2386)	Patents Office Journal	(29/05/2019)		
2974051	Qualcomm Incorporated	12/03/2014	2974051	14717009.6	
2974090	Psikick, Inc.	14/03/2014	2974090	14771024.8	
2974138	Cisco Technology, Inc.	07/03/2014	2974138	14717005.4	
2974158	Pierson, Forrest, Lawrence	04/03/2014	2974158	14778494.6	
2974229	Google Technology Holdings LLC	07/03/2014	2974229	14714488.5	
2974253	Dolby Laboratories Licensing Corporation	13/03/2014	2974253	14720804.5	
2974289	Robert Bosch GmbH	15/03/2013	2974289	13709911.5	
2974565	Doble Engineering Company	12/03/2014	2974565	14773012.1	
2974691	Sunstar Inc.	07/03/2014	2974691	14765352.1	
2975022	FUJIFILM Toyama Chemical Co., Ltd.	14/03/2014	2975022	14763168.3	
2975077	Bridgestone Corporation	14/03/2014	2975077	14764653.3	
2975151	Nippon Steel & Sumikin Stainless Steel Corporation	14/03/2014	2975151	14765146.7	
2975325	Mitsubishi Hitachi Power Systems, Ltd.	13/03/2013	2975325	13877469.0	
2975475	MAKINO MILLING MACHINE CO., LTD.	02/11/2007	2975475	15002431.3	
2975557	EMD Millipore Corporation	10/11/2010	2975557	15180887.0	
2975778	LG Electronics Inc.	11/03/2014	2975778	14763979.3	
2975971	Magna Seating Inc.	18/03/2014	2975971	14767702.5	
2976220	Mahle International GmbH	17/03/2014	2976220	14710573.8	German
2976238	Robert Bosch GmbH	29/01/2014	2976238	14701571.3	German
2976256	Sikorsky Aircraft Corporation	18/03/2014	2976256	14797422.4	
2976519	Scania CV AB	12/03/2014	2976519	14769893.0	
2976528	Marquardt Mechatronik GmbH	11/03/2014	2976528	14709886.7	German
2976584	Evapco, Inc.	21/03/2014	2976584	14770503.2	
2976612	Adagos	19/03/2014	2976612	14713414.2	French
2976818	Schleuniger Holding AG	21/03/2014	2976818	14715448.8	German
2976891	SUEZ Groupe	19/03/2014	2976891	14717203.5	French
2977124	Hitachi Metals, Ltd.	18/03/2014	2977124	14770320.1	
2977189	The Boeing Company	03/06/2015	2977189	15170418.6	
2977372	SANDOZ AG	24/06/2011	2977372	15181097.5	
2977460	Ildong Pharm Co., Ltd.	20/03/2014	2977460	14767484.0	
2977485	Kabushiki Kaisha Kobe Seiko Sho (Kobe Steel, Ltd.)	03/03/2014	2977485	14769428.5	
2977770	Huawei Technologies Co., Ltd.	22/01/2014	2977770	14834041.7	
2977846	Hamilton Sundstrand Corporation	25/06/2015	2977846	15173904.2	
2977989	IMEC VZW	25/07/2014	2977989	14178665.7	

---

2978123	Commissariat à l'Énergie Atomique et aux Énergies Alternatives	20/07/2015	2978123	15177468.4	French
2978204	SCREEN Holdings Co., Ltd.	09/06/2015	2978204	15171231.2	
2978366	Next Sight S.r.l.	28/03/2014	2978366	14732421.4	
2978370	Injeq OY	25/03/2014	2978370	14722734.2	
2978447	Infectious Disease Research Institute	28/03/2014	2978447	14775190.3	
2978490	Koninklijke Philips N.V.	29/03/2014	2978490	14716968.4	
2978623	Scania CV AB (publ)	20/03/2014	2978623	14775461.8	
2978626	FCA US LLC	26/03/2014	2978626	14717653.1	
2978679	WestRock Packaging Systems, LLC	28/03/2014	2978679	14732459.4	
2979029	Stewart, Jason Joren Jens	27/03/2014	2979029	14773852.0	
2979361	KK Wind Solutions A/S	26/03/2014	2979361	14713374.8	
2979362	Arçelik Anonim Sirketi	28/03/2013	2979362	13715172.6	
2979425	British Telecommunications public limited company	31/03/2014	2979425	14717163.1	
2979696	Chung-Ang University Industry- Academic Cooperation Foundation	27/03/2014	2979696	14772608.7	
2979880	Shandong New Beiyang Information Technology Co., Ltd.	20/03/2014	2979880	14772900.8	
2979890	Dai Nippon Printing Co., Ltd.	28/03/2014	2979890	14775898.1	
2979973	Mitsubishi Shipbuilding Co., Ltd. Wartsila Japan Ltd.	27/03/2013	2979973	13880388.7	
2980019	NGK Insulators, Ltd.	26/03/2014	2980019	14774142.5	
2980276	JX Nippon Oil & Energy Corporation	25/03/2014	2980276	14775143.2	
2980390	Hitachi Construction Machinery Co., Ltd.	13/03/2014	2980390	14775831.2	
2980504	Panasonic Intellectual Property Management Co., Ltd.	07/03/2014	2980504	14776050.8	
2980556	Nisshin Steel Co., Ltd.	04/03/2014	2980556	14772836.4	
2980770	Panasonic Intellectual Property Management Co., Ltd.	18/03/2014	2980770	14773579.9	
2980876	Konica Minolta, Inc.	28/03/2014	2980876	14772912.3	
2980892	Tohoku University Dowa Holdings Co., Ltd.	24/03/2014	2980892	14779271.7	
2981112	Interdigital Patent Holdings, Inc.	10/01/2011	2981112	15178660.5	
2982115	CANON KABUSHIKI KAISHA	24/03/2014	2982115	14712654.4	
2982131	INSCAPE DATA, INC.	17/03/2014	2982131	14763506.4	
2982411	Teijin Pharma Limited	28/03/2014	2982411	14778766.7	

---

3670	(No. 2386)	Patents Office Journal	(29/05/2019)		
2983216	LG Innotek Co., Ltd.	08/07/2015	2983216	15175955.2	
2983833	Eisenmann SE	29/03/2014	2983833	14714181.6	German
2984382	GAZTRANSPORT ET TECHNIGAZ	04/04/2014	2984382	14720660.1	French
2984725	Senvion GmbH	13/03/2014	2984725	14709702.6	German
2984734	MediaTek Singapore Pte. Ltd.	14/03/2014	2984734	14769408.7	
2985204	Autoliv Development AB	10/03/2014	2985204	14763769.8	
2985427	Panasonic Intellectual Property Management Co., Ltd.	27/03/2014	2985427	14782997.2	
2985878	NISSAN MOTOR CO., LTD.	18/03/2014	2985878	14776409.6	
2985939	Cisco Technology, Inc.	07/08/2015	2985939	15180291.5	
2986003	Samsung Electronics Co., Ltd.	06/01/2014	2986003	15182830.8	
2986004	Samsung Electronics Co., Ltd.	06/01/2014	2986004	15182831.6	
2986005	Samsung Electronics Co., Ltd.	06/01/2014	2986005	15182832.4	
2986968	Bio-rad Laboratories, Inc.	09/03/2015	2986968	15758608.2	
2987499	Allergan Pharmaceuticals International Limited	08/08/2012	2987499	15178147.3	
2987663	MAN Truck & Bus AG	28/03/2015	2987663	15000914.0	German
2987883	JFE Steel Corporation	17/03/2014	2987883	14784648.9	
2988125	Galera Labs, LLC	04/03/2002	2988125	15154758.5	
2988166	Samsung Display Co., Ltd.	17/08/2015	2988166	15181189.0	
2988609	VIRBAC	03/03/2014	2988609	14711005.0	French
2989302	Camcon Auto Limited	22/04/2014	2989302	14720210.5	
2989355	ElringKlinger AG	19/03/2014	2989355	14711509.1	German
2989814	Sierra Wireless, Inc.	02/04/2014	2989814	14779240.2	
2990379	Cytec Technology Corp.	23/09/2010	2990379	15177583.0	
2990551	ISO-Chemie GmbH	26/08/2014	2990551	14182229.6	German
2990563	VKR Holding A/S	19/12/2007	2990563	15189217.1	
2991368	Albiral Display Solutions, S.L.	16/04/2014	2991368	14788242.7	
2991999	Mapi Pharma Limited	23/12/2013	2991999	13883354.6	
2992704	RF Venue, Inc.	10/03/2014	2992704	14768617.4	
2992782	Apparatebau Gronbach Srl	27/08/2015	2992782	15182660.9	German
2992798	Black & Decker Inc.	04/09/2014	2992798	14183496.0	
2993568	Samsung Electronics Co., Ltd.	28/08/2015	2993568	15182913.2	
2993645	NINTENDO CO., LTD.	13/07/2015	2993645	15176430.5	
2994064	DePuy Synthes Products, Inc.	03/03/2014	2994064	14713646.9	
2994401	ContiTech Transportbandsysteme GmbH	06/03/2014	2994401	14708253.1	German
2995196	Datamars S.A.	17/03/2011	2995196	15190590.8	



---

2995857	MITSUBISHI HEAVY INDUSTRIES, LTD.	07/03/2012	2995857	15185735.6
2995896	Danfoss Micro Channel Heat Exchanger (Jiaxing) Co., Ltd.	08/05/2014	2995896	14794042.3
2996137	Tyco Electronics EC Trutnov s.r.o.	10/09/2014	2996137	14184314.4
2996170	Dai Nippon Printing Co., Ltd.	19/03/2014	2996170	14773090.7
2996530	Essity Hygiene and Health Aktiebolag	17/05/2013	2996530	13884430.3
2996757	Intuitive Surgical Operations, Inc.	14/03/2014	2996757	14765569.0
2997316	Array Technologies Patent Holding Co. LLC	11/04/2014	2997316	14798438.9
2998120	Konica Minolta, Inc.	12/05/2014	2998120	14797930.6
2999144	Schneider Electric Industries SAS	11/09/2015	2999144	15306395.3
2999299	Huawei Technologies Co., Ltd.	05/06/2013	2999299	13886435.0
3000262	Ruckus Wireless, Inc.	20/05/2013	3000262	13885378.3
3000298	SIP Strojna Industrija d.d.	07/09/2015	3000298	15468008.6
3000532	FOR REC srl	23/09/2015	3000532	15186363.6
3000706	Yamaha Hatsudoki Kabushiki Kaisha	30/06/2014	3000706	14820431.6
3001338	JEOL Ltd.	17/09/2015	3001338	15185698.6
3002171	Autoliv Nissin Brake Systems Japan Co., Ltd. HONDA MOTOR CO., LTD.	29/09/2015	3002171	15187368.4
3002338	The Board of Trustees of The Leland Stanford Junior University	02/02/2007	3002338	15195663.8
3002339	The Board of Trustees of The Leland Stanford Junior University	02/02/2007	3002339	15195673.7
3002378	Knauf Insulation	07/08/2009	3002378	15192447.9
3002446	Hitachi Automotive Systems, Ltd.	08/03/2012	3002446	15189904.4
3002574	Sensata Technologies, Inc.	30/09/2015	3002574	15187606.7
3002706	Whitehat Security, Inc.	23/09/2015	3002706	15186572.2
3002805	Seiko Epson Corporation	28/09/2015	3002805	15187077.1
3002832	Panduit Corp	29/09/2015	3002832	15187492.2
3002968	Sony Corporation	07/01/2010	3002968	15195104.3
3003189	LiNA Medical International Operations AG	06/06/2014	3003189	14732115.2
3003742	Compagnie Générale des Etablissements Michelin	30/05/2013	3003742	13885827.9
3003756	Volvo Construction Equipment AB	03/06/2013	3003756	13886428.5
3004033	Trasis S.A.	02/06/2014	3004033	14727510.1

---

3672	(No. 2386)	Patents Office Journal	(29/05/2019)		
3004629	Dresser Rand Company	27/05/2014	3004629	14806939.6	
3004673	Kiekert AG	02/06/2014	3004673	14744439.2	German
3005280	Atlas Wearables, Inc.	30/07/2014	3005280	14803624.7	
3005438	3M Innovative Properties Company	04/06/2014	3005438	14733927.9	
3005854	Kverneland Group Ravenna S.r.l.	06/10/2014	3005854	14187804.1	
3006396	InvenSense, Inc.	07/10/2015	3006396	15188710.6	
3006503	Mitsubishi Gas Chemical Company, Inc.	02/06/2014	3006503	14807917.1	
3006708	Innio Jenbacher GmbH & Co OG	19/09/2015	3006708	15002715.9	German
3006809	L'AIR LIQUIDE, SOCIETE ANONYME POUR L'ETUDE ET L'EXPLOITATION DES PROCEDES GEORGES CLAUDE	16/02/2015	3006809	15187939.2	French
3006811	L'AIR LIQUIDE, SOCIETE ANONYME POUR L'ETUDE ET L'EXPLOITATION DES PROCEDES GEORGES CLAUDE	16/02/2015	3006811	15187942.6	French
3007166	Sony Corporation	21/05/2014	3007166	14804689.9	
3007268	Samsung Electronics Co., Ltd.	08/10/2015	3007268	15188857.5	
3007472	ZTE Corporation	27/05/2014	3007472	14807773.8	
3007602	Tennant Company	12/06/2014	3007602	14742391.7	
3008231	Kimberly-Clark Worldwide, Inc.	06/06/2014	3008231	14811619.7	
3008742	ZF Friedrichshafen AG	12/05/2014	3008742	14723425.6	German
3008966	Apple Inc.	28/05/2014	3008966	14811686.6	
3008971	Sandvik KK	16/06/2014	3008971	14741423.9	
3008990	Deere & Company	18/09/2015	3008990	15185812.3	
3009088	Karl Storz SE & Co. KG	12/10/2015	3009088	15189399.7	German
3009492	SK Innovation Co., Ltd. SK Lubricants Co., Ltd.	16/10/2015	3009492	15190178.2	
3010816	Haemonetics Corporation	16/06/2014	3010816	14813178.2	
3010915	University of Utah Research Foundation	19/06/2014	3010915	14813387.9	
3011066	Rio Tinto Alcan International Limited	19/06/2014	3011066	14813162.6	
3011176	Otto Egelhof GmbH & Co. KG	28/05/2014	3011176	14727472.4	German
3011310	Dufresne, Philip, J.	19/06/2014	3011310	14813771.4	
3012209	Dode S.A.	21/06/2013	3012209	13887245.2	
3012718	TPK Touch Solutions (Xiamen) Inc.	08/09/2015	3012718	15184157.4	
3012732	LG Electronics Inc.	13/10/2015	3012732	15189470.6	

3012742	Skeed Co. Ltd.	27/03/2014	3012742	14797775.5	
3012904	King Slide Technology Co., Ltd.	24/10/2014	3012904	14190198.3	
3013493	Bayerische Motoren Werke Aktiengesellschaft	24/06/2014	3013493	14732214.3	German
3014160	SARTORIUS STEDIM FMT SAS	26/06/2014	3014160	14749886.9	French
3014995	Ishihara Sangyo Kaisha, Ltd.	26/06/2014	3014995	14818007.8	
3015229	Infino Inc.	11/03/2014	3015229	14816729.9	
3015530	Grirem Advanced Materials Co., Ltd. General Research Institute For Nonferrous Metals	20/06/2014	3015530	14817555.7	
3015766	MITSUBISHI HEAVY INDUSTRIES, LTD.	07/03/2012	3015766	15185737.2	
3016378	Sony Corporation	12/06/2014	3016378	14817501.1	
3016921	BASF SE	27/06/2014	3016921	14819297.4	
3017229	Technip France	01/07/2014	3017229	14739088.4	French
3017360	LG Electronics Inc.	20/12/2013	3017360	13888652.8	
3017860	Sumitomo Electric Fine Polymer, Inc.	23/06/2014	3017860	14819487.1	
3018414	NGK Spark Plug Co., Ltd.	23/10/2015	3018414	15191142.7	
3018736	LG Chem, Ltd.	08/07/2014	3018736	14832794.3	
3019166	Piramal Enterprises Limited	11/07/2014	3019166	14822283.9	
3019384	Carl Freudenberg KG	21/05/2014	3019384	14729210.6	German
3020360	VOCO GmbH	09/11/2015	3020360	15193617.6	German
3020760	Prime Polymer Co., Ltd.	04/07/2014	3020760	14822738.2	
3020773	3M Innovative Properties Company	14/11/2014	3020773	14193225.1	
3021659	Kuhn-Geldrop B.V.	09/07/2014	3021659	14737249.4	
3021666	James, Brad	16/07/2014	3021666	14826621.6	
3022044	Schultheiss GmbH	16/07/2014	3022044	14739819.2	German
3022045	Rapid Shape GmbH	16/07/2014	3022045	14739820.0	German
3022610	Brandenburgische Technische Universität Cottbus Fraunhofer Gesellschaft zur Förderung der angewandten Forschung E.V.	14/07/2014	3022610	14749730.9	German
3023143	Suzhou Micro Ceramics Heavy Metal Filter Technology Co., Ltd.	02/09/2013	3023143	13889142.9	
3023495	Arrowhead Pharmaceuticals, Inc.	18/02/2011	3023495	15200524.5	
3023625	Hamilton Sundstrand Corporation	20/11/2015	3023625	15195583.8	
3023709	ROBERT BOSCH GMBH	14/09/2015	3023709	15184972.6	German
3023865	Samsung Electronics Co., Ltd.	18/07/2014	3023865	14826564.8	

3674	(No. 2386)	Patents Office Journal	(29/05/2019)		
3023941	Intuitive Surgical Operations, Inc.	17/03/2010	3023941	15192812.4	
3024040	FUJIFILM Corporation	17/07/2014	3024040	14826059.9	
3024107	Danfoss A/S	13/03/2015	3024107	15159043.7	
3024468	Adaptimmune Limited	18/07/2014	3024468	14748262.4	
3024601	SMS group GmbH	24/07/2014	3024601	14747555.2	German
3025051	Delphi Technologies IP Limited	30/06/2014	3025051	14734796.7	
3025220	Hewlett-Packard Development Company, L.P.	26/07/2013	3025220	13889767.3	
3025798	Hitachi, Ltd.	06/11/2015	3025798	15193436.1	
3026138	Nippon Steel & Sumitomo Metal Corporation	24/07/2014	3026138	14828764.2	
3026741	NISSAN MOTOR CO., LTD. Nhk Spring Co., Ltd.	02/06/2014	3026741	14829040.6	
3027069	Essentra Filter Products Development Co. Pte. Ltd	01/08/2014	3027069	14752576.0	
3027097	Koninklijke Douwe Egberts B.V.	28/07/2014	3027097	14753339.2	
3027564	Knauf Insulation	30/07/2014	3027564	14747603.0	
3027695	Eastman Chemical Company	22/07/2014	3027695	14747496.9	
3028271	Google Technology Holdings LLC	31/07/2014	3028271	14755230.1	
3028972	Pitney Bowes Inc.	19/11/2015	3028972	15195351.0	
3029291	NGK Insulators, Ltd.	02/12/2015	3029291	15197490.4	
3029443	Sensata Technologies, Inc.	20/11/2015	3029443	15195593.7	
3029640	Ingenico Group	01/12/2015	3029640	15197365.8	French
3029665	LG Display Co., Ltd.	25/11/2015	3029665	15196346.9	
3030039	Samsung Electronics Co., Ltd.	03/12/2015	3030039	15197766.7	
3030179	Covidien LP	07/08/2013	3030179	13891305.8	
3030732	Metalplus S.p.A	08/08/2014	3030732	14780594.9	
3030789	Edwards Limited	09/07/2014	3030789	14739532.1	
3031149	Teko Telecom S.r.l.	05/08/2014	3031149	14752431.8	
3031435	Medstrom Limited	09/12/2015	3031435	15275255.6	
3031711	The Boeing Company	10/12/2015	3031711	15199274.0	
3033134	B. Braun Melsungen AG	07/08/2014	3033134	14750201.7	German
3033244	Schunk Bahn- und Industrietechnik GmbH	12/08/2013	3033244	13763193.3	German
3033632	HERE Global B.V.	21/07/2014	3033632	14741316.5	
3033965	Albéa Services	10/12/2015	3033965	15199435.7	French
3034219	Klingelberg AG	16/12/2014	3034219	14198168.8	German

---

3034862	GE Renewable Technologies Wind B.V.	15/12/2014	3034862	14382517.2	
3035480	Kohler Co.	01/12/2015	3035480	15197174.4	
3036156	Bombardier Inc. C SERIES AIRCRAFT LIMITED PARTNERSHIP	18/08/2014	3036156	14758424.7	
3036279	Momentive Performance Materials GmbH	08/10/2014	3036279	14781235.8	
3036327	PIONEER HI-BRED INTERNATIONAL, INC.	20/08/2014	3036327	14761924.1	
3036667	Medtronic MiniMed, Inc.	12/08/2014	3036667	14755305.1	
3036859	Qualcomm Incorporated	13/08/2014	3036859	14758040.1	
3036860	Qualcomm Incorporated	21/08/2014	3036860	14761749.2	
3037223	Braun GmbH	17/12/2015	3037223	15200807.4	
3037456	Daikin Industries, Ltd.	21/08/2014	3037456	14837429.1	
3037606	Pfeifer Holding GmbH & Co. KG	26/03/2010	3037606	15195256.1	German
3037811	Ez Sensing Inc.	14/08/2014	3037811	14838569.3	
3038099	BOE Technology Group Co., Ltd. Beijing BOE Display Technology Co., Ltd.	27/03/2015	3038099	15777857.2	
3038310	Huawei Technologies Co., Ltd.	14/07/2014	3038310	14847528.8	
3038909	Sikorsky Aircraft Corporation	19/03/2014	3038909	14840951.9	
3039043	Compagnie Générale des Etablissements Michelin	29/08/2014	3039043	14756069.2	French
3039737	Robert Bosch GmbH	28/08/2014	3039737	14840591.3	
3039844	Oracle International Corporation	26/08/2014	3039844	14766277.9	
3039935	Qualcomm Incorporated	27/08/2014	3039935	14771425.7	
3039938	Sony Corporation	03/09/2014	3039938	14766925.3	
3041857	EMD Millipore Corporation	19/06/2014	3041857	14737471.4	
3042029	Reform Energy Services Corp.	04/03/2014	3042029	14842171.2	
3042080	Atlas Copco Airpower, Naamloze Vennootschap	02/09/2014	3042080	14776980.6	
3042833	Specialized Bicycle Components, Inc.	17/12/2015	3042833	15200755.5	
3043079	Gloukhov, Vladislav	09/01/2015	3043079	15150671.4	
3043360	TOYOTA JIDOSHA KABUSHIKI KAISHA	10/07/2014	3043360	14840483.3	
3043435	Yazaki Corporation	05/09/2014	3043435	14842335.3	
3043681	himolla Polstermöbel GmbH	25/09/2014	3043681	14772371.2	German

---

3676	(No. 2386)	Patents Office Journal	(29/05/2019)		
3043687	M5 Sport Group (PTY) LTD	11/09/2014	3043687	14844575.2	
3044187	Akzo Nobel Chemicals International B.V.	09/09/2014	3044187	14765907.2	
3045143	VOCO GmbH	03/11/2015	3045143	15192730.8	German
3045487	LG Chem, Ltd.	04/09/2015	3045487	15838004.8	
3045489	Mitsubishi Chemical Corporation	09/09/2014	3045489	14844837.6	
3045523	Osaka University	07/03/2014	3045523	14844310.4	
3045919	Tata Consultancy Services Limited	16/03/2015	3045919	15159205.2	
3046023	LSIS Co., Ltd.	08/10/2015	3046023	15188905.2	
3046053	Samsung Electronics Co., Ltd.	08/09/2015	3046053	15184200.2	
3046414	99 Holding S.A.R.L	08/07/2015	3046414	15750119.8	
3046771	Veltek Associates, INC.	19/09/2014	3046771	14845755.9	
3048655	Dai Nippon Printing Co., Ltd.	18/09/2014	3048655	14846379.7	
3050424	Kubota Corporation	11/09/2015	3050424	15184934.6	
3050425	Deere & Company	29/01/2016	3050425	16153433.4	German
3050474	Complementos Sanitarios, S.A.	12/01/2016	3050474	16150855.1	
3051186	Ibiden Co., Ltd.	07/08/2014	3051186	14847352.3	
3051373	Siemens Aktiengesellschaft	02/02/2015	3051373	15153469.0	German
3051430	FUJITSU LIMITED	29/01/2016	3051430	16153348.4	
3051761	Huawei Technologies Co., Ltd.	18/10/2013	3051761	13895780.8	
3051970	NIKE Innovate C.V.	10/11/2014	3051970	14806131.0	
3053307	Telefonaktiebolaget LM Ericsson (publ)	30/09/2013	3053307	13770692.5	
3053754	Müller Martini Holding AG	28/08/2013	3053754	16158651.6	German
3053848	Rovipharm	09/02/2016	3053848	16154951.4	French
3053935	China Petroleum&Chemical Corporation Beijing Research Institute of Chemical IndustryChina Petroleum & Chemical Corporation	28/09/2014	3053935	14848074.2	
3054035	TOYOTA JIDOSHA KABUSHIKI KAISHA	02/10/2014	3054035	14850454.1	
3054488	Asahi Kasei Kabushiki Kaisha Tohoku University	17/09/2014	3054488	14850188.5	
3054607	Alpine Electronics, Inc.	27/01/2016	3054607	16152970.6	
3055868	General Cable Technologies Corporation Emisshield Inc.	14/11/2013	3055868	13895379.9	

3055887	Zecotek Photonics Inc. Sadygov, Ziraddin Yagub-ogly Sadygov, Azar	13/08/2014	3055887	14835896.3	
3056135	AMO WaveFront Sciences, LLC	27/06/2008	3056135	16157307.6	
3056778	TGK CO., Ltd.	03/02/2016	3056778	16154084.4	
3057216	Hitachi Automotive Systems, Ltd.	01/10/2014	3057216	14851946.5	
3057251	NTT DOCOMO, INC.	08/10/2014	3057251	14852711.2	
3057786	Innoflex Incorporated	09/10/2014	3057786	14853919.0	
3057830	Lohr Electromecanique	17/10/2014	3057830	14802094.4	French
3057991	The California Institute for Biomedical Research The Scripps Research Institute	15/10/2014	3057991	14853242.7	
3058555	Drägerwerk AG & Co. KGaA	16/10/2014	3058555	14786607.3	German
3058682	SENGLED OPTOELECTRONICS CO., LTD	31/03/2015	3058682	15786173.3	
3058711	Telefonaktiebolaget LM Ericsson (publ)	14/10/2013	3058711	13786557.2	
3058735	Nokia Technologies Oy	13/10/2014	3058735	14854798.7	
3058774	NEC Corporation	16/10/2014	3058774	14854831.6	
3059200	Nissan Motor Manufacturing (UK) Ltd.	18/02/2016	3059200	16156287.1	
3059361	Brose Schliesssysteme GmbH & Co. KG	19/02/2016	3059361	16156450.5	German
3059413	Rolls-Royce North American Technologies, Inc.	28/03/2012	3059413	16163686.5	
3059472	AISIN AW INDUSTRIES CO., LTD. AISIN AW CO., LTD.	26/11/2014	3059472	14866768.6	
3059509	Mitsubishi Electric Corporation	26/12/2014	3059509	14901009.2	
3059635	Institute of Semiconductors, Chinese Academy Of Sciences	03/01/2014	3059635	14853966.1	
3059731	ZTE Corporation	31/03/2014	3059731	14794425.0	
3060094	Ecolab USA Inc.	22/10/2014	3060094	14856106.1	
3060256	Bayer Pharma Aktiengesellschaft	21/10/2014	3060256	14786915.0	
3060787	ArianeGroup SAS	21/10/2014	3060787	14824870.1	French
3060827	Soletanche Freyssinet	22/10/2014	3060827	14824880.0	French
3061082	LG ELECTRONICS INC.	26/03/2014	3061082	14855167.4	
3061451	Pitney Pharmaceuticals Pty Limited	22/03/2013	3061451	16162192.5	
3061633	Hübner GmbH & Co. KG	10/10/2014	3061633	16157808.3	German
3061634	VALEO SYSTEMES THERMIQUES	09/02/2016	3061634	16154846.6	French
3062055	Mahle International GmbH	29/01/2016	3062055	16153351.8	German

3678	(No. 2386)	Patents Office Journal	(29/05/2019)		
3062466	Huawei Technologies Co., Ltd.	12/11/2014	3062466	14863034.6	
3062676	Techtronic Floor Care Technology Limited	04/02/2014	3062676	14706662.5	
3062686	Dexcom, Inc.	27/10/2014	3062686	14796359.9	
3063477	Koninklijke Philips N.V.	20/03/2014	3063477	14716428.9	
3063514	Mettler Toledo (Changzhou) Precision Instrument Ltd. Mettler Toledo (Changzhou) Measurement Technology Ltd. Mettler Toledo (Changzhou) Scale&System Ltd.	31/10/2014	3063514	14858032.7	
3063807	Schott AG	28/10/2014	3063807	14790093.0	German
3064022	QUALCOMM Incorporated	29/10/2014	3064022	14802245.2	
3064031	Andrew Wireless Systems GmbH	30/10/2013	3064031	13824004.9	
3064055	CNH Industrial Belgium nv	04/03/2016	3064055	16158730.8	
3064294	The Boeing Company Subaru Corporation	04/03/2016	3064294	16158703.5	
3064304	SENJU METAL INDUSTRY CO., LTD.	13/06/2014	3064304	14858673.8	
3064424	SRAM Deutschland GmbH	06/02/2016	3064424	16000302.6	German
3064827	Zumtobel Lighting GmbH	03/03/2016	3064827	16158385.1	German
3064837	Ansaldo Energia Switzerland AG	05/03/2015	3064837	15157730.1	
3064839	RATIONAL International AG	29/02/2016	3064839	16157790.3	German
3064908	Andritz, Inc.	04/03/2016	3064908	16158685.4	
3064916	Groupe Brandt	02/03/2016	3064916	16158270.5	French
3065097	NXP B.V.	05/03/2015	3065097	15290059.3	
3065201	Ethicon LLC	04/03/2016	3065201	16158799.3	
3065243	Nexans	05/03/2015	3065243	15305338.4	
3065297	GE Energy Power Conversion Technology Ltd	01/03/2016	3065297	16157999.0	
3065302	Semtech Corporation	02/03/2016	3065302	16158282.0	
3065362	SONY CORPORATION	02/03/2016	3065362	16158273.9	
3065372	Lookingglass Cyber Solutions, Inc.	01/03/2016	3065372	16158117.8	
3065507	Helvar Oy Ab	03/03/2015	3065507	15157299.7	
3065873	Biotix, Inc.	06/11/2014	3065873	14860033.1	
3065888	Alfa Laval Corporate AB	06/11/2013	3065888	13788737.8	
3065931	Daher Aerospace	04/11/2014	3065931	14799365.3	French
3066330	ArianeGroup SAS	05/11/2014	3066330	14809465.9	French



---

3066516	Bank Of Canada	06/11/2014	3066516	14860032.3	
3066687	Intel Corporation	23/10/2014	3066687	14860857.3	
3066916	Hartmann Grundbesitz GmbH & Co. KG	12/03/2015	3066916	15158812.6	German
3066964	Gruppo Cimbali S.p.A.	10/02/2016	3066964	16155051.2	
3066969	Miele & Cie. KG BRANOFILTER GMBH	24/02/2016	3066969	16020051.5	German
3067201	Johns Manville	03/03/2016	3067201	16158374.5	
3067255	Toyota Jidosha Kabushiki Kaisha	04/02/2016	3067255	16154320.2	
3067310	Ansaldo Energia Switzerland AG	12/03/2015	3067310	15158898.5	
3067327	BL Technologies, Inc.	08/03/2016	3067327	16159155.7	
3067329	BL Technologies, Inc.	08/03/2016	3067329	16159144.1	
3067334	Schott AG	02/03/2016	3067334	16158280.4	German
3067383	Hitachi Metals, Ltd.	07/03/2016	3067383	16158891.8	
3067477	Raccords et Plastiques Nicoll	10/03/2016	3067477	16159716.6	French
3067504	GU Automatic GmbH	08/03/2016	3067504	16159137.5	German
3067521	United Technologies Corporation	09/03/2016	3067521	16159496.5	
3067559	Chou, Wen-San	10/03/2016	3067559	16159704.2	
3067602	Georg Fischer Rohrleitungssysteme AG	11/03/2015	3067602	15158553.6	German
3067697	Fujirebio Inc.	05/11/2014	3067697	14859384.1	
3067884	Samsung Electronics Co., Ltd.	29/02/2016	3067884	16157937.0	
3067964	Johns Manville	08/03/2016	3067964	16159136.7	
3068055	Huawei Technologies Co., Ltd.	29/11/2013	3068055	13898472.9	
3068084	Juniper Networks, Inc.	10/03/2016	3068084	16159694.5	
3068115	Xiaomi Inc.	09/03/2016	3068115	16159495.7	
3068299	Technische Universiteit Eindhoven	13/11/2014	3068299	14796521.4	
3068353	Novartis AG	06/11/2014	3068353	14872431.3	
3068372	EyeD Pharma	14/11/2014	3068372	14809301.6	
3068384	Akeso Biomedical Inc.	15/02/2013	3068384	13709500.6	
3068396	Impax Laboratories, Inc.	10/11/2014	3068396	14860787.2	
3068508	Razor USA LLC	13/11/2014	3068508	14816472.6	
3068708	ZF Friedrichshafen AG ZF Wind Power Antwerpen NV	10/10/2014	3068708	14781900.7	German
3068876	Integrated DNA Technologies Inc.	14/11/2014	3068876	14809730.6	
3068987	IFP Energies nouvelles	31/10/2014	3068987	14799362.0	French
3069781	General Electric Technology GmbH	20/03/2015	3069781	15425023.7	
3069797	Maan Intellectual Properties B.V.	17/03/2015	3069797	15159322.5	
3069801	Ricoh Company, Ltd.	14/03/2016	3069801	16160099.4	

---

3680	(No. 2386)	Patents Office Journal	(29/05/2019)		
3070120	SUMITOMO RUBBER INDUSTRIES, LTD.	15/03/2016	3070120	16160487.1	
3070128	Nissan Chemical Corporation Riken	10/11/2014	3070128	14859792.5	
3070196	Dyeberg S.p.A.	17/03/2015	3070196	15425020.3	
3070340	Azbil Corporation	17/03/2016	3070340	16160801.3	
3070348	Felss Rotaform GmbH IFA-Technologies GmbH	19/03/2015	3070348	15159886.9	German
3070490	NXP USA, Inc.	02/03/2016	3070490	16158269.7	
3070553	dSPACE digital signal processing and control engineering GmbH	19/03/2015	3070553	15159845.5	German
3070610	Canon Kabushiki Kaisha	08/03/2016	3070610	16159198.7	
3070654	Ricoh Company, Ltd.	16/03/2016	3070654	16160614.0	
3070685	Sisal Entertainment S.p.A.	15/03/2016	3070685	16160291.7	
3070724	ABB Schweiz AG	19/03/2015	3070724	15159799.4	
3070757	Beijing Visionox Technology Co., Ltd. Tsinghua University	16/12/2014	3070757	14872476.8	
3070765	Heraeus Battery Technology GmbH	16/03/2015	3070765	15159263.1	
3070986	HTC Corporation	26/02/2016	3070986	16157691.3	
3071084	SharkNinja Operating LLC	21/01/2015	3071084	15722914.7	
3071261	Sanofi-Aventis Deutschland GmbH	17/11/2014	3071261	14799435.4	
3071967	Atomo Diagnostics Pty Limited	21/11/2014	3071967	14864578.1	
3072077	Intel Corporation	19/11/2013	3072077	13897947.1	
3072103	ML Netherlands C.V.	03/12/2014	3072103	14809358.6	
3072155	Heptagon Micro Optics Pte. Ltd.	18/11/2014	3072155	14863553.5	
3072409	Albéa Services	24/03/2016	3072409	16162443.2	French
3072510	Micelle BioPharma, Inc.	11/03/2013	3072510	16165946.1	
3072545	DEKA Products Limited Partnership	29/10/2010	3072545	16168110.1	
3072669	HAYAT KIMYA SANAYI ANONIM SIRKETI	23/03/2015	3072669	15000842.3	
3072700	manroland Goss web systems GmbH	15/03/2016	3072700	16160471.5	German
3072785	Steering Solutions IP Holding Corporation	24/03/2016	3072785	16162246.9	
3072835	DAIFUKU CO., LTD.	10/03/2016	3072835	16000577.3	
3073030	Crown UK Limited	24/03/2016	3073030	16162428.3	
3073195	Honeywell Technologies Sarl	23/03/2015	3073195	15160313.1	
3073224	Panasonic Automotive & Industrial Systems Europe GmbH	27/03/2015	3073224	15161291.8	

3073297	Sercel	27/03/2015	3073297	15305458.0	
3073379	Xiaomi Inc.	05/11/2015	3073379	15853644.1	
3073438	Volkswagen AG	21/03/2016	3073438	16161341.9	German
3073540	Seiko Epson Corporation	18/03/2016	3073540	16161069.6	
3073767	Intel IP Corporation	15/02/2016	3073767	16155783.0	
3073919	Abbott Diabetes Care Inc.	26/11/2014	3073919	14866144.0	
3074002	Georges, Avlen	24/11/2014	3074002	14802869.9	German
3074297	TOYOTA JIDOSHA KABUSHIKI KAISHA	17/11/2014	3074297	14806740.8	
3074468	Technische Universität Dresden	27/11/2014	3074468	14803142.0	German
3074818	Ricoh Company, Ltd.	23/10/2014	3074818	14858000.4	
3075063	Litens Automotive Partnership	01/12/2014	3075063	14866059.0	
3075348	Solnovis GmbH	07/03/2016	3075348	16000548.4	German
3075427	China Industries Limited	19/07/2011	3075427	16159228.2	
3075546	Brother Kogyo Kabushiki Kaisha	28/02/2008	3075546	16162440.8	
3075946	National Oilwell Varco Norway AS	30/03/2015	3075946	15161583.8	
3075966	Honeywell International Inc.	23/03/2016	3075966	16162105.7	
3076095	Daikin Industries, Ltd.	26/11/2014	3076095	14865300.9	
3076147	Tatung Company	03/03/2016	3076147	16158436.2	
3076148	Trioptics GmbH	31/03/2015	3076148	15161923.6	German
3076313	Comcast Cable Communications, LLC	31/03/2016	3076313	16163196.5	
3076475	Hsu, Fu-Tzu Tu, Chieh-Sen Crystal Sky International Limited	02/03/2016	3076475	16158288.7	
3076558	Huawei Technologies Co., Ltd.	17/12/2013	3076558	13899851.3	
3077128	General Kinematics Corporation	02/12/2014	3077128	14816040.1	
3078305	Novadelta-Comércio e Industria de Cafés, Lda.	02/12/2014	3078305	14824564.0	
3078309	Miele & Cie. KG BWT AG	21/03/2016	3078309	16020089.5	German
3078318	Olympus Corporation	19/03/2015	3078318	15792138.8	
3078519	Brose Fahrzeugteile GmbH & Co. Kommanditgesellschaft, Bamberg	18/03/2016	3078519	16161165.2	German
3078585	The Boeing Company	01/02/2016	3078585	16153582.8	
3078736	Panasonic Corporation	09/03/2016	3078736	16159335.5	
3078763	Mitsubishi Materials Corporation	24/03/2016	3078763	16162247.7	
3078878	Showa Corporation	24/03/2016	3078878	16162128.9	
3078879	Showa Corporation	24/03/2016	3078879	16162135.4	

3682	(No. 2386)	Patents Office Journal	(29/05/2019)		
3079480	Kraft Foods Group Brands LLC	09/12/2014	3079480	14821401.8	
3079655	PHARMACHEMIE B.V.	19/11/2014	3079655	14799806.6	
3079716	The United States Of America, As Represented By The Secretary, Department Of Health And Human Services	12/12/2014	3079716	14831120.2	
3079774	Clariant International Ltd	09/12/2014	3079774	14814769.7	German
3079822	3M Innovative Properties Company	08/12/2014	3079822	14827301.4	
3079876	Audi AG	27/11/2014	3079876	14806541.0	German
3080089	Lycera Corporation	10/12/2014	3080089	14869792.3	
3080115	UCB Biopharma SPRL	08/12/2014	3080115	14809624.1	
3080116	UCB Biopharma SPRL	08/12/2014	3080116	14809834.6	
3080223	Sika Technology AG	11/12/2014	3080223	14812217.9	German
3080541	SWEP International AB	28/11/2014	3080541	14806232.6	
3080956	Cisco Technology, Inc.	03/12/2014	3080956	14819204.0	
3081204	Becton, Dickinson and Company Ltd.	12/07/2013	3081204	16173034.6	
3081399	The Yokohama Rubber Co., Ltd.	08/09/2014	3081399	14851755.0	
3081515	Reviati, Domenico	14/03/2016	3081515	16160087.9	
3081637	Sumitomo Chemical Company, Limited RIKEN	16/10/2014	3081637	14869571.1	
3082373	NTT DoCoMo, Inc.	10/12/2014	3082373	14868943.3	
3082415	Amistec GmbH & Co. KG	19/12/2014	3082415	14821624.5	German
3082923	Nasir, Muhammed Aslam, Dr. Intersurgical AG	17/12/2014	3082923	14824070.8	
3082925	Koninklijke Philips N.V.	28/11/2014	3082925	14824104.5	
3083658	President and Fellows of Harvard College	18/12/2014	3083658	14872439.6	
3083735	Carl Freudenberg KG	01/12/2014	3083735	14809326.3	German
3083948	De Montfort University	11/12/2014	3083948	14821823.3	
3083973	Roquette Frères	18/12/2014	3083973	14830829.9	French
3084014	Arcelormittal	05/12/2014	3084014	14821855.5	French
3084124	ConocoPhillips Company	18/12/2014	3084124	14871932.1	
3084129	Renishaw Plc.	22/12/2014	3084129	14828502.6	
3084257	Freni Brembo S.p.A.	17/12/2014	3084257	14830686.3	
3084309	United Technologies Corporation	19/12/2014	3084309	14871463.7	
3084506	Safran Helicopter Engines	10/12/2014	3084506	14827814.6	French
3084541	Husqvarna AB	19/12/2013	3084541	13899545.1	
3084546	GRAMMER AG	15/12/2014	3084546	14821564.3	German

---

3084551	Apple Inc.	24/11/2014	3084551	14812365.6	
3084796	Eaton Corporation	10/12/2014	3084796	14815559.1	
3084831	Sony Corporation	12/12/2014	3084831	14821306.9	
3085384	TiumBio Co., Ltd.	16/12/2014	3085384	14871697.0	
3085488	Samsung Display Co., Ltd.	07/01/2011	3085488	16169517.6	
3085673	AGC Inc.	05/12/2014	3085673	14871878.6	
3085681	Zeon Corporation	17/12/2014	3085681	14871549.3	
3086076	Schäfer, Karl	04/03/2016	3086076	16158589.8	German
3086304	Honeywell International Inc.	28/03/2016	3086304	16162506.6	
3086383	ROBERT BOSCH GMBH	30/03/2016	3086383	16162846.6	German
3086387	Sanyo Chemical Industries, Ltd. NISSAN MOTOR CO., LTD.	12/12/2014	3086387	14871738.2	
3087221	Cytec Industries Inc.	06/11/2014	3087221	14863064.3	
3087259	Flaig, Hartmut	16/12/2014	3087259	14825287.7	German
3087472	Intel Corporation	27/12/2013	3087472	13900166.3	
3087722	Microsoft Technology Licensing, LLC	22/12/2014	3087722	14828409.4	
3087763	Huawei Technologies Co., Ltd.	14/01/2015	3087763	15737648.4	
3087794	Alcatel Lucent	22/12/2014	3087794	14828413.6	
3087999	Follicum AB	10/08/2012	3087999	16169698.4	
3088024	PHC Holdings Corporation	28/11/2014	3088024	14874844.5	
3088562	POSCO	26/12/2014	3088562	14873790.1	
3089751	Virbac SA	20/11/2014	3089751	14814911.5	French
3090169	Dayco IP Holdings, LLC	09/12/2014	3090169	14869909.3	
3090184	VHIT S.p.A.	23/12/2014	3090184	14830728.3	
3091260	F.I.P. Formatura Iniezione Polimeri S.p.A	06/05/2015	3091260	15166495.0	
3091363	Multidimension Technology Co., Ltd.	29/12/2014	3091363	14876525.8	
3091599	Asahi Kasei Kabushiki Kaisha	27/12/2012	3091599	16171780.6	
3091846	Kraft Foods R&D, Inc.	06/01/2015	3091846	15701584.3	
3091946	Hollister Incorporated	23/07/2014	3091946	14750275.1	
3092041	ISP Investments LLC	06/03/2015	3092041	15719498.6	French
3092091	COSMA S.R.L.	29/12/2014	3092091	14827788.2	
3092560	Johnson Controls Technology Company	31/12/2014	3092560	14833444.4	
3092628	Systemes Et Technologies Identification (STID)	05/01/2015	3092628	15702515.6	French
3093239	Disney Enterprises, Inc.	08/03/2016	3093239	16159247.2	
3093291	Janssen Pharmaceutica NV	21/10/2010	3093291	16163733.5	
3093573	Mitsubishi Electric Corporation	10/07/2014	3093573	14877932.5	

---

3684	(No. 2386)	Patents Office Journal	(29/05/2019)		
3093819	Canon Kabushiki Kaisha	09/05/2016	3093819	16168793.4	
3093971	Sumitomo Electric Industries, Ltd.	19/12/2014	3093971	14878212.1	
3094056	Huawei Technologies Co., Ltd.	31/03/2016	3094056	16163082.7	
3094078	LG Innotek Co., Ltd.	17/05/2012	3094078	16178719.7	
3094174	99 Holding S.A.R.L	12/01/2015	3094174	15704374.6	
3094290	ZOLL Circulation, Inc.	03/10/2014	3094290	14882721.5	
3094462	Diamond Products, Limited	16/01/2015	3094462	15737822.5	
3094691	IGP Pulvertechnik AG	19/01/2015	3094691	15700490.4	German
3095313	Deere & Company	17/05/2016	3095313	16169892.3	
3095669	Autoliv Development AB	16/10/2014	3095669	14873473.4	
3095866	Secarna Pharmaceuticals GmbH & Co. KG	20/05/2015	3095866	15168512.0	German
3096327	Honeywell International Inc.	08/03/2016	3096327	16159281.1	
3096866	Cabot Corporation	21/01/2015	3096866	15702111.4	
3097076	Max-Delbrück-Centrum für Molekulare Medizin Board of Regents, The University of Texas System	21/01/2015	3097076	15702370.6	
3097186	The Medical College of Wisconsin, Inc.	21/01/2015	3097186	15704412.4	
3097249	Baker Hughes, a GE company, LLC	22/01/2015	3097249	15740552.3	
3097757	Iseki & Co., Ltd.	31/03/2016	3097757	16163308.6	
3098004	NSK Ltd.	28/06/2012	3098004	16174038.6	
3098074	CANON KABUSHIKI KAISHA	31/03/2016	3098074	16000753.0	
3098559	Diehl Defence GmbH & Co. KG	10/05/2016	3098559	16001046.8	German
3098586	UNIVERSIDAD POLITECNICA DE VALENCIA	21/01/2015	3098586	15739932.0	
3098677	Ansaldo Energia IP UK Limited	27/05/2015	3098677	15169448.6	
3098961	LSIS Co., Ltd.	11/05/2016	3098961	16169262.9	
3099178	Hukelmann, Bernhard	30/01/2015	3099178	15704969.3	German
3099193	Bell Sports Inc.	06/03/2015	3099193	15758181.0	
3100006	BRD, vertr. d. den Bundesminister für Wirtschaft & Energie, dieser vertr. d. den Präsidenten der Bundesanst. f. Materialforsch. & prüfung (BAM)	26/01/2015	3100006	15701215.4	German
3100635	Pum-Tech Korea Co., Ltd	04/03/2015	3100635	15759143.9	
3101208	Alualpha - Fabrico e Comercialização de Ferragens, S.A.	03/06/2016	3101208	16020217.2	
3101530	Huawei Technologies Co., Ltd.	31/05/2016	3101530	16172076.8	

3101674	KABUSHIKI KAISHA TOKAI RIKAI DENKI SEISAKUSHO	03/06/2016	3101674	16172817.5	
3101828	Mitsubishi Electric Corporation	31/01/2014	3101828	14881215.9	
3101844	Huawei Technologies Co., Ltd.	01/06/2016	3101844	16172450.5	
3101886	Kyocera Document Solutions Inc.	19/01/2015	3101886	15743484.6	
3101980	NEC Corporation	04/09/2014	3101980	14880920.5	
3102062	Bell Sports Inc.	27/03/2015	3102062	15768119.8	
3102069	Desanta, Simon	19/11/2015	3102069	15797103.7	German
3103305	Huawei Technologies Co., Ltd.	03/03/2015	3103305	15758876.5	
3103859	Sodasan Wasch- und Reinigungsmittel GmbH	23/05/2016	3103859	16170920.9	German
3104364	A.T COMMUNICATIONS CO., LTD.	03/02/2014	3104364	14880530.2	
3105085	Risk Telematics UK Limited	11/02/2015	3105085	15709540.7	
3105120	Airbus Operations Limited	13/02/2015	3105120	15705074.1	
3105485	GE Oil & Gas UK Limited	02/02/2015	3105485	15702581.8	
3105492	PV Labs Ltd.	23/12/2014	3105492	14874655.5	
3105819	HRL Laboratories, LLC	09/02/2015	3105819	15783219.7	
3105859	Qualcomm Incorporated	04/02/2015	3105859	15710293.0	
3105873	Telefonaktiebolaget LM Ericsson (publ)	14/02/2014	3105873	14707110.4	
3106043	Hauni Maschinenbau GmbH	17/05/2016	3106043	16169910.3	German
3106724	Mitsubishi Heavy Industries, Ltd. Artemis Intelligent Power Limited	01/12/2015	3106724	15197211.4	
3106733	ULC Robotics, Inc.	20/06/2016	3106733	16175309.0	
3107083	LG Display Co., Ltd.	03/11/2015	3107083	15192726.6	
3107515	Varilek, David	21/10/2014	3107515	14806069.2	French
3107722	3M Innovative Properties Company	17/02/2015	3107722	15749277.8	
3108025	NanoAL LLC Northwestern University	12/03/2015	3108025	15760733.4	
3108078	Kiekert AG	05/02/2015	3108078	15715671.2	German
3108310	Scania CV AB	05/02/2015	3108310	15749180.4	
3108351	Apple Inc.	06/03/2015	3108351	15713062.6	
3108586	Raytheon Company	06/11/2014	3108586	14863052.8	
3108646	Harman International Industries, Incorporated	20/02/2015	3108646	15752450.5	
3109001	E & Q One-Touch	16/03/2015	3109001	15863220.8	
3109124	ALSTOM Transport Technologies	23/06/2015	3109124	15305964.7	
3110027	Softkernel Co., Ltd.	18/02/2015	3110027	15748663.0	
3110164	Astem Co., Ltd.	27/03/2015	3110164	15844091.7	

3686	(No. 2386)	Patents Office Journal	(29/05/2019)		
3110210	Huawei Technologies Co., Ltd.	14/03/2014	3110210	14885110.8	
3110223	Huawei Technologies Co., Ltd.	20/03/2014	3110223	14886017.4	
3110531	Cummins, Inc.	24/02/2015	3110531	15754837.1	
3110971	The Broad Institute Inc. The Brigham and Women's Hospital, Inc. President and Fellows of Harvard College Massachusetts Institute of Technology	26/02/2015	3110971	15709048.1	
3111516	Weidmüller Interface GmbH & Co. KG	24/02/2015	3111516	15706034.4	German
3111536	TRW Limited	02/03/2015	3111536	15709306.3	
3111574	Intel Corporation	22/01/2015	3111574	15752415.8	
3111758	Faresin Industries S.p.A.	30/06/2016	3111758	16177282.7	
3111890	VALVE MEDICAL LTD.	13/01/2010	3111890	16183064.1	
3111938	Curis, Inc.	30/03/2012	3111938	16166266.3	
3111956	PTC Therapeutics, Inc.	01/07/2009	3111956	16178291.7	
3112285	Thermo King Corporation	29/06/2016	3112285	16176983.1	
3112488	JFE Steel Corporation	17/02/2015	3112488	15754845.4	
3112831	NXP B.V.	01/07/2015	3112831	15174828.2	
3113226	LG Display Co., Ltd.	25/02/2015	3113226	15755445.2	
3113390	Huawei Technologies Co., Ltd.	27/03/2014	3113390	14887603.0	
3113466	Xiaomi Inc.	24/06/2016	3113466	16176275.2	
3113545	Huawei Device Co., Ltd.	28/03/2014	3113545	14887503.2	
3113555	Huawei Technologies Co., Ltd.	17/03/2014	3113555	14886213.9	
3113569	Huawei Technologies Co., Ltd.	21/03/2014	3113569	14885999.4	
3113661	SharkNinja Operating LLC	05/03/2015	3113661	15711003.2	
3113724	ROYAL MELBOURNE INSTITUTE OF TECHNOLOGY	04/03/2015	3113724	15759022.5	
3113930	Gottlieb Binder GmbH & Co. Kg	03/03/2015	3113930	15710711.1	German
3114024	Itrec B.V.	02/03/2015	3114024	15708176.1	
3114061	Bundesdruckerei GmbH	05/03/2015	3114061	15707952.6	German
3114070	Manitowoc Crane Companies, LLC	03/03/2015	3114070	15713261.4	
3114071	Manitowoc Crane Companies, LLC	03/03/2015	3114071	15713260.6	
3114191	Siemens Aktiengesellschaft	01/06/2015	3114191	15728455.5	German
3114368	Dayco IP Holdings, LLC	05/03/2015	3114368	15757948.3	
3114446	Koninklijke Philips N.V.	03/03/2015	3114446	15707153.1	
3114506	Logined B.V.	03/03/2015	3114506	15759034.0	
3114779	Cisco Technology, Inc.	04/03/2015	3114779	15711356.4	



3114872	Telefonaktiebolaget LM Ericsson (publ)	04/03/2014	3114872	14884629.8	
3115566	Volkswagen Aktiengesellschaft	15/06/2016	3115566	16174551.8	German
3116230	Sony Corporation	24/02/2015	3116230	15758960.7	
3116259	Sharp Kabushiki Kaisha	05/03/2015	3116259	15758344.4	
3116450	Samijo, Stefano Kliwon Oostwegel, Rolandus Jacobus Josef Maria	12/03/2015	3116450	15715483.2	
3116470	Mitotech SA	25/02/2015	3116470	15770631.8	
3116519	Procure Health Iberia, S.L.	13/03/2015	3116519	15709691.8	
3116522	3-D Matrix Ltd.	10/03/2015	3116522	15712231.8	
3116578	Koninklijke Philips N.V.	03/03/2015	3116578	15710924.0	
3116592	SPIRATION, INC. D.B.A. OLYMPUS RESPIRATORY AMERICA	04/03/2015	3116592	15712721.8	
3116665	Flex Technology, Inc.	11/03/2015	3116665	15761743.2	
3116753	TRES SRL	12/03/2015	3116753	15714649.9	
3116796	Graphic Packaging International, LLC	11/03/2015	3116796	15760677.3	
3117017	Aubert&Duval	13/03/2015	3117017	15709520.9	French
3117141	Volkswagen Aktiengesellschaft	11/03/2015	3117141	15709892.2	German
3117144	TriLED NV	13/03/2015	3117144	15709508.4	
3117213	American Bio Medica Corporation	11/03/2015	3117213	15760993.4	
3117255	CommScope Telecommunications (Shanghai) Co. Ltd.	03/03/2015	3117255	15708345.2	
3117432	Telefonaktiebolaget LM Ericsson (publ)	13/03/2015	3117432	15711107.1	
3117508	Etalim Inc.	12/03/2015	3117508	15761497.5	
3117536	Cisco Technology, Inc.	10/03/2015	3117536	15712466.0	
3117570	Cisco Technology, Inc.	12/03/2015	3117570	15731418.8	
3117642	Telefonaktiebolaget LM Ericsson (publ)	11/03/2014	3117642	14715222.7	
3117694	Panduit Corp.	09/03/2015	3117694	15712733.3	
3117724	Daicel Corporation	13/03/2014	3117724	14885125.6	
3117778	Ethicon LLC	28/02/2014	3117778	16176672.0	
3117850	Shofu Inc.	07/07/2016	3117850	16178446.7	
3118160	Dainichiseika Color & Chemicals Mfg. Co., Ltd.	12/03/2015	3118160	15760905.8	
3118169	Avacon, S.A.	13/07/2016	3118169	16382333.9	French
3118297	Henkel AG & Co. KGaA	03/02/2016	3118297	16154051.3	German
3118499	FESTO AG & Co. KG	17/07/2015	3118499	15177304.1	German
3119007	MediaTek Inc.	17/06/2016	3119007	16174898.3	
3119179	Innobiz	19/03/2015	3119179	15712576.6	French

3688	(No. 2386)	Patents Office Journal	(29/05/2019)		
3119441	Steris, Inc.	18/03/2015	3119441	15765434.4	
3119496	Caterpillar Inc.	02/03/2015	3119496	15708429.4	
3119576	Volkswagen AG	18/03/2015	3119576	15711137.8	German
3119672	Airbus Operations Limited	16/03/2015	3119672	15714894.1	
3119750	Council of Scientific and Industrial Research	18/03/2015	3119750	15723054.1	
3119818	Rhodia Operations	18/03/2015	3119818	15765673.7	
3119874	CJ Cheiljedang Corporation	17/03/2015	3119874	15764058.2	
3119891	Rheinisch-Westfälische Technische Hochschule Aachen (RWTH)	20/03/2015	3119891	15715690.2	
3120227	Google LLC	10/03/2015	3120227	15711988.4	
3120340	Urban Engines, Inc.	13/03/2015	3120340	15764884.1	
3120346	DTS, Inc.	04/03/2015	3120346	15764758.7	
3120434	Meta System S.p.A.	03/03/2015	3120434	15720806.7	
3120496	Telefonaktiebolaget LM Ericsson (publ)	12/03/2015	3120496	15714288.6	
3121091	Bombardier Transportation GmbH	14/07/2016	3121091	16179528.1	German
3121230	Kuraray Co., Ltd.	16/03/2015	3121230	15765984.8	
3121242	AGC Inc.	17/03/2015	3121242	15765667.9	
3121251	Kuraray Co., Ltd.	11/03/2015	3121251	15764831.2	
3121393	Mitsubishi Hitachi Power Systems, Ltd.	21/07/2016	3121393	16180592.4	
3121433	Continental Automotive GmbH	23/07/2015	3121433	15178025.1	
3121631	Enplas Corporation	13/03/2015	3121631	15764738.9	
3121642	Kim, Young Ho	20/03/2015	3121642	15764757.9	
3121906	Japan Aviation Electronics Industry, Ltd. Sony Corporation	31/03/2015	3121906	15779608.7	
3121920	Daewon Electric Co., Ltd. Woonjang Electric Power Corp.	09/06/2014	3121920	14850111.7	
3122128	LG Electronics Inc.	23/03/2015	3122128	15764559.9	
3122240	Volcano Corporation	23/03/2015	3122240	15768252.7	
3122367	Hortus Novus SRL	20/03/2015	3122367	15715451.9	
3122456	Agency for Science, Technology and Research	26/03/2015	3122456	15768073.7	
3122613	ThyssenKrupp Presta AG thyssenkrupp AG	16/03/2015	3122613	15710482.9	German

3122735	The Provost, Fellows, Foundation Scholars, and the other members of Board, of the College of the Holy & Undiv. Trinity of Queen Elizabeth near Dublin	27/03/2015	3122735	15712178.1	
3122789	Evonik Degussa GmbH	26/03/2015	3122789	15713687.0	German
3122823	PPG Industries Ohio, Inc.	24/03/2015	3122823	15715575.5	
3122853	Henkel AG & Co. KGaA	24/03/2015	3122853	15712344.9	German
3122855	The Procter & Gamble Company	13/03/2015	3122855	15767914.3	
3122861	Unilever PLC	19/03/2015	3122861	15716748.7	
3122862	United Laboratories International, LLC	23/03/2015	3122862	15769505.7	
3123092	Primetals Technologies Austria GmbH	24/03/2015	3123092	15741781.7	German
3123125	Honeywell International Inc.	12/03/2015	3123125	15768362.4	
3123463	Lockheed Martin Corporation	23/03/2015	3123463	15809092.8	
3123489	MAGNETNOTES, LTD.	10/03/2015	3123489	15711022.2	
3123632	Osram Sylvania Inc.	18/03/2015	3123632	15716615.8	
3123634	Osram Sylvania Inc.	18/03/2015	3123634	15717695.9	
3123696	IBOSS, Inc.	25/03/2015	3123696	15770154.1	
3123776	Telefonaktiebolaget LM Ericsson (publ)	26/03/2014	3123776	14886887.0	
3123794	Telefonaktiebolaget LM Ericsson (publ)	24/03/2015	3123794	15717676.9	
3123805	Telefonaktiebolaget LM Ericsson (publ)	27/03/2015	3123805	15719003.4	
3123846	CNH Industrial Kutno sp. z o.o.	30/07/2015	3123846	15178997.1	
3123847	CNH Industrial Kutno sp. z o.o.	30/07/2015	3123847	15178998.9	
3123945	Sosaikouseikai Clinical Foundation Matsunami Research Park	12/03/2015	3123945	15769822.6	
3123949	Ethicon LLC	27/07/2016	3123949	16181400.9	
3123950	Ethicon LLC	27/07/2016	3123950	16181469.4	
3124137	Belenos Clean Power Holding AG	30/07/2015	3124137	15179106.8	
3124156	Steros GPA Innovative, S.L.	26/03/2015	3124156	15767884.8	
3124157	Steros GPA Innovative, S.L.	26/03/2015	3124157	15768054.7	
3124167	Senju Metal Industry Co., Ltd	27/02/2015	3124167	15770209.3	
3124281	Dai Nippon Printing Co., Ltd.	24/03/2015	3124281	15769287.2	
3124300	Yachiyo Industry Co., Ltd.	20/02/2015	3124300	15769480.3	
3124364	Yamaha Hatsudoki Kabushiki Kaisha	16/03/2015	3124364	15768153.7	
3124366	Yamaha Hatsudoki Kabushiki Kaisha	16/03/2015	3124366	15770430.5	
3124392	Danone Alqueria S.A.S.	26/03/2015	3124392	15769824.2	
3124598	Kabushiki Kaisha Yakult Honsha	27/03/2015	3124598	15768326.9	
3124831	Kyocera Document Solutions Inc.	28/01/2015	3124831	15767802.0	

3690	(No. 2386)	Patents Office Journal	(29/05/2019)		
3124840	Rausch & Pausch GmbH	23/06/2016	3124840	16175891.7	German
3124894	Chiyoda Corporation	17/03/2015	3124894	15769895.2	
3124899	LG ELECTRONICS INC.	21/06/2016	3124899	16175406.4	
3125095	Samsung Electronics Co., Ltd.	13/05/2010	3125095	16187566.1	
3125286	Kyocera Corporation	26/03/2015	3125286	15767745.1	
3125418	Siemens Aktiengesellschaft	27/07/2015	3125418	15178453.5	
3125450	LG Electronics Inc.	27/03/2015	3125450	15768860.7	
3125627	LG ELECTRONICS INC.	30/03/2015	3125627	15769340.9	
3125716	Rocha, Gerald	31/03/2014	3125716	14887850.7	
3125731	Koninklijke Philips N.V.	24/03/2015	3125731	15711756.5	
3125829	Waldemar Link GmbH & Co. KG	25/03/2015	3125829	15713162.4	German
3125936	Debiopharm International SA	31/03/2015	3125936	15722580.6	
3126051	3M Innovative Properties Company	31/03/2015	3126051	15772737.1	
3126157	Compagnie Générale des Etablissements Michelin	23/03/2015	3126157	15711214.5	French
3126295	UPM-Kymmene Corporation	30/03/2015	3126295	15717528.2	
3126296	UPM-Kymmene Corporation	30/03/2015	3126296	15717529.0	
3126298	UPM-Kymmene Corporation	30/03/2015	3126298	15717531.6	
3126388	Regeneron Pharmaceuticals, Inc.	10/03/2015	3126388	15712472.8	
3126538	ThyssenKrupp Steel Europe AG thyssenkrupp AG	03/03/2015	3126538	15712079.1	German
3126564	BSH Hausgeräte GmbH	26/03/2015	3126564	15712888.5	German
3126568	UPM-Kymmene Corporation	05/03/2015	3126568	15710220.3	
3126577	The UAB Research Foundation	07/03/2015	3126577	15758731.2	
3126600	Kiekert AG	26/03/2015	3126600	15727299.8	German
3126642	Mahle International GmbH	25/03/2015	3126642	15713158.2	German
3126680	Jaguar Land Rover Limited	26/03/2015	3126680	15713692.0	
3126999	Amazon Technologies, Inc.	31/03/2015	3126999	15772289.3	
3127221	Siemens Aktiengesellschaft	01/06/2015	3127221	15725368.3	German
3127322	RED.COM, LLC	31/03/2015	3127322	15772868.4	
3127548	Amorepacific Corporation	23/03/2015	3127548	15773245.4	
3127634	Dowa Electronics Materials Co., Ltd.	27/03/2015	3127634	15772603.5	
3127779	Guangdong Hua'chan Research Institute of Intelligent Transportation System Co., Ltd.	31/03/2014	3127779	14888512.2	
3127899	Nagasaki University	30/03/2015	3127899	15773753.7	
3127956	Kcc Corporation	31/03/2015	3127956	15774413.7	
3128206	NTN Corporation	23/03/2015	3128206	15773915.2	

3128525	Sumitomo Seika Chemicals Co. Ltd. National Institute of Advanced Industrial Science and Technology	19/03/2015	3128525	15773428.6	
3128591	Sumitomo Electric Industries, Ltd. National Institute of Advanced Industrial Science and Technology	19/03/2015	3128591	15773600.0	
3128666	Citizen Watch Co., Ltd.	26/03/2015	3128666	15774072.1	
3128881	Breville PTY Limited	19/03/2015	3128881	15758360.0	
3128913	Dexcom, Inc.	16/03/2015	3128913	15714332.2	
3128935	SMC Innovation GmbH	01/04/2015	3128935	15714799.2	German
3129804	Levitection Ltd.	02/04/2015	3129804	15777324.3	
3130004	ABB Schweiz AG	23/02/2015	3130004	15708758.6	
3130300	Stryker European Holdings I, LLC	13/07/2016	3130300	16179304.7	
3130669	Cj Cheiljedang Corporation	13/03/2015	3130669	15776278.2	
3130837	Ichikoh Industries, Ltd.	24/03/2015	3130837	15776077.8	
3130874	Kabushiki Kaisha Kobe Seiko Sho (Kobe Steel, Ltd.)	12/03/2015	3130874	15776818.5	
3130893	Volkswagen Aktiengesellschaft	05/08/2016	3130893	16183091.4	German
3131179	Panasonic Intellectual Property Management Co., Ltd.	11/03/2015	3131179	15769939.8	
3131350	LG Electronics Inc.	25/03/2015	3131350	15776947.2	
3132222	Commissariat à l'Énergie Atomique et aux Énergies Alternatives	14/04/2015	3132222	15725882.3	French
3132259	GE Healthcare Bio-Sciences AB	30/03/2015	3132259	15713327.3	
3132272	Texas Instruments Incorporated	11/03/2015	3132272	15796733.2	
3133157	Octapharma AG	30/03/2011	3133157	16190737.3	
3133311	Canyon Bicycles GmbH	06/07/2016	3133311	16178134.9	German
3133324	Saginomiya Seisakusho, Inc.	27/03/2015	3133324	15779341.5	
3133897	Mahle International GmbH	05/08/2016	3133897	16183042.7	German
3134586	B&R N.V.	25/03/2015	3134586	15721839.7	
3135130	Sinclair, Daniel S Bensimon, Nathaniel	04/11/2015	3135130	15193048.4	
3135271	Mitsui Chemicals, Inc. Shofu Inc. SUN MEDICAL CO., LTD.	31/03/2015	3135271	15774169.5	
3135276	CEPHALON, INC.	12/03/2014	3135276	16183869.3	
3135661	AGC Inc.	07/03/2016	3135661	16000545.0	
3135833	Airbus Operations GmbH	27/08/2015	3135833	15182771.4	

3692	(No. 2386)	Patents Office Journal	(29/05/2019)		
3136056	KABUSHIKI KAISHA TOKAI RIKAI DENKI SEISAKUSHO	22/08/2016	3136056	16185084.7	
3136458	Mentor Technologies Co., Ltd.	05/08/2016	3136458	16183026.0	
3136583	Panasonic Intellectual Property Management Co., Ltd.	05/03/2015	3136583	15800076.0	
3136696	Huawei Technologies Co. Ltd.	13/03/2015	3136696	15822426.1	
3136747	Panasonic Intellectual Property Management Co., Ltd.	31/08/2016	3136747	16186561.3	
3136826	Sony Corporation	12/03/2015	3136826	15782937.5	
3137322	Valeo Klimasysteme GmbH	16/04/2015	3137322	15716539.0	
3138372	Manufacturing Resources International, INC.	30/04/2015	3138372	15785279.9	
3138384	Usines Claas France S.A.S	13/06/2016	3138384	16174213.5	German
3138452	Rivaplan AG	26/08/2016	3138452	16185933.5	German
3138500	Healcerion Co., Ltd.	13/03/2015	3138500	15786419.0	
3138755	Hitachi, Ltd.	13/03/2015	3138755	15786135.2	
3138820	Johns Manville	02/09/2016	3138820	16187117.3	
3139573	Huawei Technologies Co., Ltd.	29/05/2015	3139573	15799337.9	
3140155	Davis, Catherine	07/05/2015	3140155	15724065.6	
3141436	INFATEC Consulting für innovative Fahrzeugtechnik mbH	09/09/2016	3141436	16188034.9	German
3141440	Valeo Systèmes d'Essuyage	02/08/2016	3141440	16182281.2	French
3141587	Daikin Industries, Ltd.	22/01/2016	3141587	16752207.7	
3141891	Olympus Corporation	30/03/2016	3141891	16801942.0	
3142883	Robert Bosch GmbH	16/03/2015	3142883	15711702.9	German
3143246	Baker Hughes, a GE company, LLC	15/05/2015	3143246	15792309.5	
3143331	Hallowell, Jeffrey R.	12/03/2015	3143331	15760997.5	
3143924	Olympus Corporation	29/03/2016	3143924	16802894.2	
3144679	Takano Co., Ltd.	12/05/2015	3144679	15793511.5	
3145272	Sivantos Pte. Ltd.	22/08/2016	3145272	16185182.9	German
3145384	Pecherer, Evgeny	21/05/2015	3145384	15796846.2	
3145421	Safepath Medical, Inc.	15/05/2015	3145421	15795593.1	
3145473	Shiseido Company Ltd.	18/05/2015	3145473	15795751.5	
3146062	Wellhead Biological Technology Corp.	18/05/2015	3146062	15793585.9	
3146175	3M Innovative Properties Company	21/05/2015	3146175	15728285.6	
3146221	Flowserve S.r.l.	21/05/2015	3146221	15734440.9	
3146267	Stein, Donald Joseph	25/05/2015	3146267	15795416.5	
3146660	Telefonaktiebolaget LM Ericsson (publ)	20/05/2014	3146660	14731076.7	

3146801	Ozuno Holdings Limited	20/05/2015	3146801	15795533.7	
3146892	Olympus Corporation	30/03/2016	3146892	16799673.5	
3146903	Lepu Medical Technology (Beijing) Co., Ltd.	23/09/2015	3146903	15186551.6	
3146956	HAN-Bürogeräte GmbH & Co. KG	24/09/2015	3146956	15186599.5	German
3147074	Yamazaki Mazak Corporation	22/05/2014	3147074	14880382.8	
3147502	Bitzer Refrigeration Technology (China) Co., Ltd.	21/05/2015	3147502	15795756.4	
3148049	Intel Corporation	22/08/2016	3148049	16185152.2	
3148128	Cisco Technology, Inc.	19/09/2016	3148128	16189544.6	
3148337	Bayer CropScience LP	28/05/2015	3148337	15736072.8	
3148782	3D Systems, Incorporated	29/05/2015	3148782	15729001.6	
3148872	McGarian, Bruce	21/05/2015	3148872	15723966.6	
3149219	Oerlikon Surface Solutions AG, Pfäffikon	26/05/2015	3149219	15725596.9	German
3149220	PPG Industries Ohio, Inc.	12/03/2015	3149220	15712491.8	
3149412	Arçelik Anonim Sirketi	02/06/2014	3149412	14728515.9	
3149515	Institut de Radioprotection et de Sûreté Nucléaire	21/05/2015	3149515	15726060.5	French
3149606	Hitachi Vantara Corporation	30/05/2014	3149606	14893185.0	
3149761	FEI Company	11/06/2015	3149761	15800579.3	
3150165	GC Corporation	28/05/2015	3150165	15799466.6	
3150410	WESTFALIA - Automotive GmbH	22/09/2016	3150410	16190099.8	German
3150495	IHI Corporation	20/05/2015	3150495	15799554.9	
3150512	Koninklijke Douwe Egberts B.V.	30/12/2009	3150512	16196383.0	
3150532	Murata Machinery, Ltd.	28/09/2016	3150532	16191223.3	
3150781	ADCO Umweltdienste Holding GmbH	02/10/2015	3150781	15188187.7	German
3150954	Hamilton Sundstrand Corporation	29/09/2016	3150954	16191527.7	
3151324	Sumitomo Electric Industries, Ltd.	12/05/2015	3151324	15799476.5	
3151327	Daikin Industries, Ltd.	08/07/2015	3151327	15821773.7	
3151496	Huawei Technologies Co., Ltd.	28/06/2012	3151496	16172374.7	
3152207	Novartis AG	02/06/2015	3152207	15731119.2	
3152208	Novartis AG	02/06/2015	3152208	15731120.0	
3152425	Scania CV AB	27/05/2015	3152425	15803827.3	
3152515	MARPOSS GMBH	03/06/2015	3152515	15726959.8	German
3152642	Sony Corporation	17/11/2014	3152642	14819073.9	
3152782	Lakshmanan, Karthigeyane Lakshmanan, Rajaganapathy	14/08/2015	3152782	15810516.3	

3694	(No. 2386)	<i>Patents Office Journal</i>		(29/05/2019)	
3152828	Conti Temic microelectronic GmbH	28/05/2015	3152828	15724697.6	German
3152829	Conti Temic microelectronic GmbH	28/05/2015	3152829	15724706.5	German
3153252	Sintokogio, Ltd.	10/06/2015	3153252	15872332.0	
3153816	Otto Ooms B.V.	14/03/2013	3153816	16199861.2	
3154852	Techflow Marine Ltd.	08/06/2015	3154852	15728125.4	
3154965	Syngenta Participations AG	12/06/2015	3154965	15728544.6	
3154966	University of Kansas The U.S.A. as represented by the Secretary, Department of Health and Human Services	12/06/2015	3154966	15730666.3	
3155389	EILERSEN, Nils Aage Juul	04/12/2014	3155389	14820738.4	
3155476	Verily Life Sciences LLC	12/06/2015	3155476	15806857.7	
3155623	Eastman Kodak Company	28/05/2015	3155623	15730326.4	
3156267	du Quesne, Bertrand	12/10/2015	3156267	15002898.3	French
3156438	Seoul National University R&DB Foundation LG Chem, Ltd.	12/06/2015	3156438	15806560.7	
3156756	MBDA Deutschland GmbH	30/08/2016	3156756	16186326.1	German
3156845	Nippon Kayaku Kabushiki Kaisha	09/06/2015	3156845	15806943.5	
3157133	Advanced Digital Broadcast S.A.	14/10/2015	3157133	15189696.6	
3157248	Olympus Corporation	06/03/2015	3157248	15814044.2	
3157372	Pier, Mauricio	23/06/2015	3157372	15811520.4	
3158782	Orange	16/06/2015	3158782	15736554.5	French
3159071	Sumitomo Heavy Industries, Ltd.	19/06/2015	3159071	15810215.2	
3159094	Technology Research Association for Future Additive Manufacturing	24/03/2015	3159094	15886334.0	
3159557	Zavala Riva Palacio, Manuel	19/06/2015	3159557	15811030.4	
3159778	LG Display Co., Ltd.	23/12/2015	3159778	15202405.5	
3159974	Wago Verwaltungsgesellschaft mbH	09/03/2011	3159974	16197946.3	German
3159975	Morsettitalia S.p.A.	20/10/2016	3159975	16194744.5	
3160056	Huawei Technologies Co., Ltd.	29/07/2014	3160056	14898825.6	
3160057	ZTE Corporation	23/09/2014	3160057	14895122.1	
3160322	Electrolux Appliances Aktiebolag	27/06/2014	3160322	14736698.3	
3160421	Envizion Medical Ltd.	26/06/2014	3160421	14895838.2	
3160552	Syqe Medical Ltd.	30/06/2015	3160552	15744363.1	
3160644	Koninklijke Philips N.V.	29/06/2015	3160644	15734108.2	
3160967	F. Hoffmann-La Roche AG	22/06/2015	3160967	15729520.5	
3161505	Intel Corporation	30/06/2014	3161505	14896725.0	



3161793	Intel Corporation	30/06/2014	3161793	14896773.0	
3162608	TOYOTA JIDOSHA KABUSHIKI KAISHA	25/10/2016	3162608	16195393.0	
3162756	Emmeti S.p.A.	24/10/2016	3162756	16195227.0	
3163020	Mitsubishi Heavy Industries, Ltd.	10/02/2015	3163020	15810938.9	
3163120	The Crosby Group LLC	26/10/2016	3163120	16195682.6	
3163269	Mettler-Toledo GmbH	29/10/2015	3163269	15192034.5	
3164066	Drägerwerk AG & Co. KGaA	01/07/2015	3164066	15738266.4	German
3164249	Koninklijke Philips N.V.	24/06/2015	3164249	15732608.3	
3164568	Moonshine Solutions AS	26/06/2015	3164568	15814076.4	
3164973	Telefonaktiebolaget LM Ericsson (publ)	11/03/2015	3164973	15814191.1	
3165350	Bridgestone Corporation	24/03/2011	3165350	16201210.8	
3165360	Zeon Corporation Daikin Industries, Ltd.	13/07/2015	3165360	15822304.0	
3165895	NORDSON CORPORATION	03/07/2013	3165895	16206633.6	
3166658	Prasser, Christopher	07/07/2015	3166658	15736444.9	
3166854	Tetra Laval Holdings & Finance S.A.	17/06/2015	3166854	15728893.7	
3167807	Healcerion Co. Ltd.	13/03/2015	3167807	15819187.4	
3168292	Turek, Ewelina Turek, Jaroslaw Piotr	24/05/2016	3168292	16460032.2	
3168427	Ge Avio S.r.l.	11/11/2016	3168427	16198546.0	
3168463	Adwen GmbH	15/11/2015	3168463	15194638.1	
3168713	Immersion Corporation	07/03/2014	3168713	16200104.4	
3168790	Avery Dennison Retail Information Services, LLC	21/08/2006	3168790	16198599.9	
3169324	Orion Biotechnology Canada Ltd.	10/07/2015	3169324	15822892.4	
3169960	Officine Facco & C. S.p.A.	15/07/2015	3169960	15738330.8	
3170450	Samsung Electronics Co., Ltd.	17/11/2016	3170450	16199339.9	
3170584	Hamakita Kougyou Kabushiki Kaisha Yamaha Hatsudoki Kabushiki Kaisha	10/07/2015	3170584	15821561.6	
3170793	Thin Film Electronics ASA	30/06/2015	3170793	15821835.4	
3171554	Xiaomi Inc.	24/03/2016	3171554	16162301.2	
3171570	Siemens Aktiengesellschaft	27/10/2016	3171570	16195892.1	German
3172133	GIMA TT S.p.A.	15/07/2015	3172133	15741361.8	
3172813	LG Electronics Inc.	29/06/2015	3172813	15824457.4	
3173224	The Boeing Company	27/09/2016	3173224	16190942.9	
3173277	Yanmar Co., Ltd.	22/07/2015	3173277	15824925.0	
3173422	SUPEX BNP CO., LTD.	21/11/2014	3173422	14898071.7	

3696	(No. 2386)	Patents Office Journal	(29/05/2019)		
3173579	LiquidPiston, Inc.	29/03/2012	3173579	16179788.1	
3173927	Mitsubishi Heavy Industries, Ltd.	29/01/2015	3173927	15838960.1	
3175139	Witech GmbH	30/06/2015	3175139	15760080.0	German
3175717	WhiteWave Services, Inc.	07/10/2016	3175717	16192785.0	
3175841	Shiseido Company, Ltd.	28/07/2015	3175841	15826324.4	
3176076	Roller Bearing Company of America, Inc.	04/12/2015	3176076	15198028.1	
3176087	Goodrich Corporation	17/10/2016	3176087	16194098.6	
3176220	Shin-Etsu Chemical Co., Ltd.	22/07/2015	3176220	15828067.7	
3176497	Kerr Corporation	02/12/2016	3176497	16201896.4	
3176609	Nihon Medi-Physics Co., Ltd.	29/10/2015	3176609	15881166.1	
3176642	Canon Kabushiki Kaisha	31/07/2015	3176642	15826664.3	
3176786	Dolby Laboratories Licensing Corporation Dolby International AB	01/04/2014	3176786	16205100.7	
3176977	BlackBerry Limited	29/10/2010	3176977	17153151.0	
3177316	Zietchick Research Institute, LLC	08/07/2015	3177316	15822240.6	
3177430	Idrojet S.r.l.	06/08/2014	3177430	14790742.2	
3177555	Inventio AG	23/07/2015	3177555	15742225.4	German
3177643	F.HOFFMANN-LA ROCHE AG	03/08/2015	3177643	15742329.4	
3178958	Nippon Steel & Sumitomo Metal Corporation	03/06/2016	3178958	16803537.6	
3179088	ROBERT BOSCH GMBH	20/10/2016	3179088	16194811.2	German
3179165	TLV Co., Ltd.	17/07/2015	3179165	15828919.9	
3179498	Siemens Industry, Inc.	18/11/2016	3179498	16199558.4	
3179844	Schmid, Walter	31/07/2015	3179844	15744922.4	German
3180052	Fresenius Medical Care Deutschland GmbH	10/08/2015	3180052	15747826.4	German
3180327	Merck Sharp & Dohme Corp.	23/07/2015	3180327	15827597.4	
3180404	BASF SE	11/08/2015	3180404	15753331.6	
3180807	Board Of Trustees Of Michigan State University	12/08/2015	3180807	15801291.4	
3180819	PPC Broadband, Inc.	13/08/2015	3180819	15831547.3	
3181180	Aspire Bariatrics, Inc.	23/08/2012	3181180	17153969.5	
3181471	LGab LLC	19/07/2012	3181471	17153828.3	
3181510	Hu, Bobby	09/02/2016	3181510	16154769.0	
3181903	Fujikoki Corporation	26/10/2016	3181903	16195692.5	
3182472	LG Electronics Inc.	24/11/2016	3182472	16200479.0	

---

3182947	Ferno-Washington, Inc.	19/08/2015	3182947	15756767.8	
3183531	Schneider, Hartmut J.	18/08/2015	3183531	15766055.6	German
3183893	Qualcomm Incorporated	19/08/2014	3183893	14900123.2	
3183901	ARRIS Enterprises LLC	22/09/2015	3183901	15775868.1	
3184642	bisy e.U.	22/12/2015	3184642	15202233.1	German
3184729	Mitsubishi Materials Corporation	11/08/2015	3184729	15833073.8	
3184772	Plastic Omnium Advanced Innovation and Research	21/12/2016	3184772	16205592.5	French
3185085	The Swatch Group Research and Development Ltd.	21/12/2015	3185085	15201677.0	French
3185495	Sony Corporation	11/08/2015	3185495	15833492.0	
3185945	B. Braun Melsungen AG	05/10/2016	3185945	16785381.1	German
3186167	Philip Morris Products S.A.	28/08/2015	3186167	15757239.7	
3186509	LG Electronics Inc.	20/08/2015	3186509	15834999.3	
3186679	Ludwig-Maximilians-Universität München Max-Planck-Gesellschaft zur Förderung der Wissenschaften	13/07/2015	3186679	15739515.3	
3187137	OLYMPUS CORPORATION	30/03/2015	3187137	15829033.8	
3187300	Hyundai Wia Corporation	29/12/2016	3187300	16207342.3	
3187392	FUJI KIKO Co., Ltd.	18/10/2016	3187392	16194261.0	
3187393	FUJI KIKO Co., Ltd.	18/10/2016	3187393	16194262.8	
3187670	Alps Alpine Co., Ltd.	07/08/2015	3187670	15835943.0	
3188036	LegalXtract ApS	30/12/2015	3188036	15203167.0	
3189872	Terumo Kabushiki Kaisha	31/08/2015	3189872	15838717.5	
3190027	NSK Ltd.	24/11/2015	3190027	15869742.5	
3190106	University of Florida Research Foundation, Inc.	22/03/2006	3190106	16196408.5	
3190207	Nissan Chemical Corporation	07/09/2015	3190207	15837549.3	
3190216	LG Chem, Ltd.	02/09/2016	3190216	16842358.0	
3190279	NISSAN MOTOR CO., LTD.	03/09/2014	3190279	14901114.0	
3190287	Yanmar Co., Ltd.	31/08/2015	3190287	15837716.8	
3190369	LG ELECTRONICS INC.	05/01/2017	3190369	17150382.4	
3190590	Renesas Electronics Corporation	04/03/2015	3190590	17152697.3	
3190731	LG Electronics Inc.	02/09/2015	3190731	15838380.2	
3190946	Cook Medical Technologies LLC	04/09/2015	3190946	15766327.9	
3191218	King Abdullah University of Science and Technology	11/09/2015	3191218	15839684.6	

---

3698	(No. 2386)	Patents Office Journal	(29/05/2019)		
3191478	Novartis AG	11/09/2015	3191478	15766661.1	
3191731	ITT Italia S.r.l.	08/09/2015	3191731	15788188.9	
3192016	Microsoft Technology Licensing, LLC	12/09/2014	3192016	14901717.0	
3192240	Harman International Industries, Incorporated	23/07/2015	3192240	15840250.3	
3192508	Terumo Kabushiki Kaisha	12/09/2014	3192508	14901531.5	
3192539	Aspire Bariatrics, Inc.	03/08/2007	3192539	17150519.1	
3192722	NSK Ltd.	03/09/2015	3192722	15850216.1	
3192820	Sumitomo Chemical Company, Ltd.	09/09/2015	3192820	15840815.3	
3192937	Scholz, Karl-Heinz Peter	09/01/2017	3192937	17150706.4	
3193052	Danfoss A/S	15/01/2016	3193052	16151416.1	
3193485	Huawei Technologies Co., Ltd.	18/01/2016	3193485	16151636.4	
3193952	Chondronest SA	04/09/2015	3193952	15778723.5	
3194091	Adolf Schnorr GmbH + Co. KG	31/07/2015	3194091	15747446.1	German
3194129	Scott Automation & Robotics Pty Limited	18/09/2015	3194129	15841911.9	
3194357	Public Joint Stock Company "Sibur Holding"	19/09/2014	3194357	14853146.0	
3195057	Hewlett-Packard Development Company, L.P.	15/09/2014	3195057	14902191.7	
3195543	Samsung Electronics Co., Ltd.	08/09/2015	3195543	15839221.7	
3195656	HFI Innovation Inc.	28/01/2016	3195656	16742771.5	
3195764	Gebr. Graef GmbH & Co. KG	18/01/2017	3195764	17152048.9	German
3196200	Astellas Pharma Inc.	25/08/2015	3196200	15836701.1	
3196651	Biomérieux Inc.	26/03/2013	3196651	17157188.8	
3196873	YAMAHA CORPORATION	12/01/2017	3196873	17151129.8	
3196903	TECHNOVA INC.	18/01/2012	3196903	17155943.8	
3196912	Mitsubishi Electric Corporation	06/03/2015	3196912	15842495.2	
3197068	Huawei Technologies Co., Ltd.	13/10/2014	3197068	14903941.4	
3197130	Huawei Technologies Co., Ltd.	09/03/2016	3197130	16764192.7	
3197280	Biotechnologie B.T. S.r.l.	22/09/2015	3197280	15780774.4	
3197358	Qualcomm Incorporated	17/07/2015	3197358	15747302.6	
3197471	Stellenbosch University	25/09/2015	3197471	15791360.9	
3197833	Commissariat à l'Énergie Atomique et aux Énergies Alternatives	22/09/2015	3197833	15771557.4	French
3197851	BASF SE Linde AG	14/09/2015	3197851	15763001.3	German
3198370	DAV	31/07/2015	3198370	15757318.9	French

3198371	DAV	31/07/2015	3198371	15757319.7	French
3199044	Japan Tobacco Inc.	03/03/2014	3199044	17159698.4	
3199050	NIKE Innovate C.V.	24/06/2011	3199050	17154616.1	
3199071	Koninklijke Douwe Egberts B.V.	27/01/2016	3199071	16153018.3	
3199229	Gen-Probe Incorporated	14/03/2014	3199229	17153489.4	
3199513	Takasago International Corporation	31/08/2015	3199513	15845179.9	
3199546	Jiang, Xianxing	28/05/2015	3199546	15844187.3	
3199630	President and Fellows of Harvard College	08/09/2009	3199630	16203684.2	
3199643	Ustav biologie obratlovcu AV CR, v.v.i.	29/12/2016	3199643	16207282.1	
3199711	Guangxi LiuGong Machinery Co., Ltd.	30/03/2016	3199711	16163055.3	
3199775	General Electric Technology GmbH	27/01/2016	3199775	16425004.5	
3199909	Tokyo Seimitsu Co., Ltd.	17/07/2015	3199909	15855402.2	
3199946	Toshiba TEC Kabushiki Kaisha	16/01/2017	3199946	17151600.8	
3200558	JX Nippon Mining & Metals Corporation	26/01/2017	3200558	17153303.7	
3200609	Mars, Incorporated	30/09/2015	3200609	15777847.3	
3201394	SIG Technology AG	29/09/2015	3201394	15775661.0	German
3201470	Xylem Europe GmbH	28/09/2015	3201470	15778752.4	
3201815	Hewlett-Packard Development Company, L.P.	30/09/2014	3201815	14902888.8	
3201818	Amazon Technologies, Inc.	25/09/2015	3201818	15782126.5	
3202211	Qualcomm Incorporated	02/10/2015	3202211	15781832.9	
3202581	Codus Holding Ltd AGFA NV	14/03/2013	3202581	17150199.2	
3202793	Kuraray Co., Ltd.	30/09/2015	3202793	15846767.0	
3202819	Bridgestone Corporation	29/09/2015	3202819	15847908.9	
3202841	Japan Polypropylene Corporation	01/10/2014	3202841	14902904.3	
3203339	Panasonic Intellectual Property Management Co., Ltd.	13/07/2015	3203339	15846280.4	
3203398	B. Braun Avitum AG	08/02/2016	3203398	16154702.1	
3203512	ABB Schweiz AG	08/02/2016	3203512	16154626.2	
3204262	Newfrey LLC	29/09/2015	3204262	15777834.1	
3204500	Council of Scientific and Industrial Research	05/10/2015	3204500	15801954.7	
3205170	Telefonaktiebolaget LM Ericsson (publ)	19/12/2014	3205170	14830423.1	
3205568	BEMO SYNTH S.R.L.	09/02/2017	3205568	17155451.2	
3205595	Pfefferkorn & Co GmbH	14/02/2017	3205595	17156055.0	German

3700	(No. 2386)	<i>Patents Office Journal</i>		(29/05/2019 )	
3205724	EnGeneIC Molecular Delivery Pty Ltd.	26/03/2008	3205724	17153863.0	
3206043	AeroScout Ltd	26/01/2017	3206043	17153372.2	
3206058	Nippon Kayaku Kabushiki Kaisha	08/10/2015	3206058	15848706.6	
3207122	FUJIFILM Cellular Dynamics, Inc.	13/10/2015	3207122	15785007.4	
3207387	Sagemcom Energy & Telecom SAS	24/08/2015	3207387	15753379.5	French
3207739	Telefonaktiebolaget LM Ericsson (PUBL)	14/03/2016	3207739	16847581.2	
3207822	Chen, Wensheng Perego, Andrea	02/02/2017	3207822	17154352.3	
3207841	DKB Household UK Limited	16/02/2016	3207841	16155923.2	
3207993	SSAB Technology AB	22/02/2016	3207993	16156705.2	
3207996	Alfa Laval Corporate AB	22/02/2016	3207996	16156722.7	
3208037	ISOG Technology GmbH	18/08/2016	3208037	16184793.4	
3208113	Continental Reifen Deutschland GmbH	19/12/2016	3208113	16204914.2	German
3208153	Yanmar Co., Ltd.	06/10/2015	3208153	15850441.5	
3208583	Mettler-Toledo GmbH	19/02/2016	3208583	16156554.4	German
3208876	Dong Hee Industrial Co., Ltd. Hyundai Motor Company Kia Motors Corporation	31/03/2016	3208876	16163116.3	
3209079	Huawei Technologies Co., Ltd.	14/01/2015	3209079	15877424.0	
3209227	Globus Medical, Inc.	21/10/2015	3209227	15853594.8	
3209637	Universitat de les Illes Balears	21/10/2015	3209637	15790481.4	
3209746	Merck Patent GmbH	07/10/2015	3209746	15778211.1	German
3210006	Commissariat à l'Énergie Atomique et aux Énergies Alternatives	20/10/2015	3210006	15791698.2	French
3210158	Y R Free Labs Limited	20/10/2015	3210158	15793886.1	
3210237	Cabot Microelectronics Corporation	21/10/2015	3210237	15852566.7	
3210941	Otsuka Chemical Co., Ltd.	29/09/2015	3210941	15853376.0	
3211304	IFIRE BVBA	23/02/2017	3211304	17157709.1	
3211691	Torqueedo GmbH	23/02/2016	3211691	16000434.7	German
3211827	ZTE Corporation	30/03/2015	3211827	15851728.4	
3211840	Facebook Inc.	12/08/2016	3211840	16183958.4	
3211966	Au, Wing Hang	24/02/2017	3211966	17157821.4	
3212013	British American Tobacco (Investments) Ltd	26/10/2015	3212013	15791017.5	
3212048	I.C.B. NV	23/10/2015	3212048	15791533.1	

---

3212241	F. Hoffmann-La Roche AG Eidgenössische Technische Hochschule Zürich Universität Zürich	23/10/2015	3212241	15784679.1	
3212822	Docol Metais Sanitários Ltda.	08/07/2015	3212822	15750620.5	
3212913	Pierburg GmbH	25/08/2015	3212913	15756387.5	German
3213245	Delta ID Inc.	29/10/2015	3213245	15853973.4	
3213626	AGCO International GmbH	01/03/2017	3213626	17158700.9	
3213891	BFR SYSTEMS	15/02/2017	3213891	17156207.7	French
3213988	BV Scheepswerf Damen Gorinchem	02/03/2016	3213988	16158219.2	
3214087	LG Chem, Ltd.	21/10/2016	3214087	16857832.6	
3214206	Fritz Haber Institut der Max Planck Gesellschaft Department of Inorganic Chemistry	04/03/2016	3214206	16158670.6	
3214223	Joseph Vögele AG	04/03/2016	3214223	16158709.2	German
3214233	Geberit International AG	04/03/2016	3214233	16020066.3	German
3214393	Ice-World Holding B.V.	02/03/2016	3214393	16158284.6	
3214466	SICK AG	04/03/2016	3214466	16158736.5	German
3214581	Ricoh Company, Ltd.	04/03/2016	3214581	16158788.6	
3214602	SICK AG	03/03/2016	3214602	16158357.0	German
3214608	ATEIS MIDDLE EAST FZCO	01/03/2016	3214608	16158130.1	
3214874	Gigaset Communications GmbH	01/03/2016	3214874	16158039.4	
3215158	AI Therapeutics, Inc.	06/11/2015	3215158	15795318.3	
3215412	Hitachi Metals, Ltd.	04/11/2015	3215412	15857294.1	
3215434	Wm. Wrigley Jr. Company	02/11/2015	3215434	15794739.1	
3215482	Noxell Corporation	29/10/2015	3215482	15791188.4	
3215484	Noxell Corporation	29/10/2015	3215484	15791872.3	
3215513	Nerviano Medical Sciences S.r.l.	04/11/2015	3215513	15788447.9	
3216408	Heraeus Medical GmbH	08/03/2017	3216408	17159862.6	German
3216516	Heraeus Medical GmbH	08/03/2017	3216516	17159861.8	German
3216530	WIPOTEC GmbH	07/03/2017	3216530	17159610.9	German
3216545	Heraeus Deutschland GmbH & Co. KG	07/03/2016	3216545	16158882.7	German
3216627	Deere & Company	28/02/2017	3216627	17158417.0	German
3216629	RUD Ketten Rieger & Dietz GmbH u. Co. KG	01/03/2017	3216629	17158688.6	German
3216678	Seat, S.A.	03/03/2017	3216678	17159075.5	
3216708	G.D S.p.A.	06/03/2017	3216708	17159431.0	
3216749	Linde Material Handling GmbH	03/03/2017	3216749	17159064.9	German

---

3702	(No. 2386)	<i>Patents Office Journal</i>		(29/05/2019)	
3216836	OCE Holding B.V.	07/03/2017	3216836	17159481.5	
3216882	Kabushiki Kaisha Kobe Seiko Sho (Kobe Steel, Ltd.)	04/11/2015	3216882	15856211.6	
3216903	Karl Mayer Textilmaschinenfabrik GmbH	11/03/2016	3216903	16159777.8	German
3216947	Charbonneau, Aurelien	08/03/2017	3216947	17159876.6	French
3216979	Kern Tunneltechnik SA	07/03/2016	3216979	16158965.0	German
3217016	Hitachi, Ltd.	01/03/2017	3217016	17000320.6	
3217055	agru Kunststofftechnik Gesellschaft m.b.H.	09/03/2017	3217055	17160017.4	German
3217074	Trilux GmbH & Co. KG	10/03/2017	3217074	17160273.3	German
3217083	Harman Professional Denmark ApS	08/06/2012	3217083	17160709.6	
3217103	Oventrop GmbH & Co. KG	03/03/2017	3217103	17159117.5	German
3217293	Hitachi, Ltd.	07/11/2014	3217293	14905559.2	
3217487	Schleifring GmbH	08/03/2016	3217487	16159221.7	
3217509	Deutsche Post AG	07/03/2017	3217509	17159482.3	German
3217739	Rohde & Schwarz GmbH & Co. KG	09/03/2016	3217739	16159484.1	
3217776	ALSTOM Transport Technologies	13/03/2017	3217776	17160618.9	French
3217846	RTC Industries, Inc.	12/11/2015	3217846	15798644.9	
3218337	Dow Global Technologies LLC	10/11/2015	3218337	15805340.5	
3218818	Hewlett Packard Enterprise Development LP	13/11/2014	3218818	14906047.7	
3219195	CNH Industrial Belgium nv	13/03/2017	3219195	17160650.2	
3219274	Heraeus Medical GmbH	15/03/2017	3219274	17161068.6	German
3219334	Asahi Kasei Kabushiki Kaisha	11/11/2015	3219334	15858670.1	
3219363	Chromavis S.P.A.	10/03/2017	3219363	17160390.5	
3219374	Eurofilters N.V.	17/03/2016	3219374	16160922.7	German
3219392	Riera Nadeu, S.A.	17/03/2016	3219392	16380009.7	
3219458	Airbus Operations, S.L.	14/03/2016	3219458	16382109.3	
3219474	Airbus Operations GmbH	16/03/2016	3219474	16160730.4	
3219658	Moventas Gears Oy	03/03/2017	3219658	17159157.1	
3219773	National Institute for Materials Science	10/11/2015	3219773	15858158.7	
3219876	VDL Groep B.V.	07/03/2017	3219876	17159607.5	
3220047	General Electric Company	10/03/2017	3220047	17160282.4	
3220054	General Electric Company	10/03/2017	3220054	17160267.5	
3220122	Ashworth Bros., Inc.	15/03/2017	3220122	17161035.5	
3220132	Dräger Safety AG & Co. KGaA	15/03/2017	3220132	17000417.0	German
3220249	ZTE Corporation	10/06/2015	3220249	15877536.1	



---

3220282	HUAWEI TECHNOLOGIES CO., LTD.	14/12/2015	3220282	15909966.2	
3220420	Samsung Display Co., Ltd.	14/03/2017	3220420	17160922.5	
3220514	Daikin Industries, Ltd.	09/10/2015	3220514	15858753.5	
3220583	Honeywell International Inc.	15/03/2017	3220583	17161040.5	
3221043	Covestro Deutschland AG	17/11/2015	3221043	15798006.1	German
3221187	Gentex Corporation	18/11/2015	3221187	15861647.4	
3221435	NYCO	19/11/2015	3221435	15804903.1	French
3221880	Eaton Intelligent Power Limited	20/11/2015	3221880	15798409.7	German
3222038	Gopinath, Vinod Satheesh, Sharath Hariharpur Mittal, Neha Kumar, Siddharth Ni clavose, Bitto Aggarwal, Ashish Caavo, Inc.	18/11/2015	3222038	15802316.8	
3222057	Sivantos Pte. Ltd.	14/08/2015	3222057	15756865.0	German
3222148	Bühler GmbH	24/03/2016	3222148	16000711.8	German
3222158	G.D S.p.A.	24/03/2017	3222158	17162760.7	
3222437	Denys, Marnix	23/03/2017	3222437	17162544.5	
3222473	SMP Deutschland GmbH	28/06/2013	3222473	17170535.3	German
3222753	Korea Institute of Energy Research	18/09/2015	3222753	15861594.8	
3222834	Volvo Car Corporation	23/03/2016	3222834	16161989.5	
3222982	Watts Regulator, Inc.	22/03/2017	3222982	17162293.9	
3223076	Xerox Corporation	24/03/2017	3223076	17162893.6	
3223085	Officine Panerai AG	22/03/2017	3223085	17162414.1	French
3223553	Sony Corporation	14/09/2015	3223553	15861624.3	
3223592	Andreas Stihl AG & Co. KG	07/03/2017	3223592	17000370.1	German
3224222	Corning Incorporated	23/11/2015	3224222	15805695.2	
3224387	Glass Surface Technology	26/11/2015	3224387	15808757.7	French
3224716	Raytheon Company	10/08/2015	3224716	15757044.1	
3224785	Intel Corporation	18/11/2015	3224785	15863042.6	
3225037	Binauric SE	23/09/2014	3225037	14771598.1	
3225288	Skis Rossignol	14/02/2017	3225288	17156152.5	French
3225292	FUJITSU LIMITED	22/12/2016	3225292	16206300.2	
3225434	UNAC	21/03/2017	3225434	17162111.3	French
3225504	Fuji Kiko Co., Ltd.	20/03/2017	3225504	17161826.7	
3225586	STMicroelectronics S.r.l.	19/10/2016	3225586	16194692.6	

---

3704	(No. 2386)	Patents Office Journal	(29/05/2019)		
3225687	Honda Motor Co., Ltd.	21/03/2017	3225687	17161994.3	
3225751	Hitachi Construction Machinery Co., Ltd.	06/03/2017	3225751	17159444.3	
3225843	Damen Dredging Equipment B.V.	30/03/2016	3225843	16162861.5	
3225867	Valeo Otomotiv Sanayi ve Ticaret A.S.	29/03/2017	3225867	17163496.7	
3225869	Honda Motor Co., Ltd.	02/03/2017	3225869	17158837.9	
3225897	Tatsuno Corporation	20/03/2017	3225897	17161900.0	
3225908	Cheng, Yung Pun	28/03/2017	3225908	17163265.6	
3226234	Samsung Display Co., Ltd.	31/03/2017	3226234	17164270.5	
3226741	Arçelik Anonim Sirketi	24/11/2015	3226741	15817621.4	
3227214	Dietze & Schell Maschinenfabrik GmbH & Co. KG	01/12/2015	3227214	15813286.0	German
3228537	Lockheed Martin Corporation	28/03/2017	3228537	17163331.6	
3228794	Forster Profilsysteme AG	05/04/2016	3228794	16163879.6	German
3228890	Schunk Bahn- und Industrietechnik GmbH	08/03/2017	3228890	17159759.4	German
3229305	HITACHI AUTOMOTIVE SYSTEMS, LTD.	06/11/2015	3229305	15864473.2	
3229321	Hirose Electric Co., Ltd.	23/03/2017	3229321	17020110.7	
3229324	Signify Holding B.V.	31/03/2017	3229324	17164177.2	
3229450	LG Electronics Inc.	18/03/2009	3229450	17162080.0	
3229517	Intel IP Corporation	07/08/2014	3229517	17170538.7	
3229976	BASF Coatings GmbH	18/11/2015	3229976	15798385.9	German
3230487	ECM TECHNOLOGIES	10/12/2015	3230487	15817994.5	French
3230562	Wärtsilä Finland Oy	08/12/2014	3230562	14821230.1	
3230580	Delphi Technologies IP Limited	29/10/2015	3230580	15786971.0	
3230618	ZF Friedrichshafen AG	10/11/2015	3230618	15797276.1	German
3230667	BSH Hausgeräte GmbH	25/11/2015	3230667	15801755.8	German
3230813	Robert Bosch GmbH	11/11/2015	3230813	15797279.5	German
3231043	Harting Electronics GmbH	04/12/2015	3231043	15831046.6	German
3231129	Intel Corporation	11/11/2015	3231129	15866759.2	
3231330	Haworth, Inc.	10/02/2017	3231330	17155690.5	
3231399	Commissariat à l'Energie Atomique et aux Energies Alternatives Chabloz Composants	07/04/2017	3231399	17165584.8	French
3231482	Vivasports Co., Ltd.	21/02/2017	3231482	17000273.7	
3232093	Ford Global Technologies, LLC	22/03/2017	3232093	17162246.7	German
3232165	Viavi Solutions Inc.	24/03/2017	3232165	17162914.0	

3232268	Goo Chemical Co., Ltd.	10/12/2014	3232268	14907967.5	
3232554	Streamax Technology Co., Ltd.	18/02/2016	3232554	16818970.2	
3232829	Philip Morris Products S.A.	17/12/2015	3232829	15813386.8	
3232851	Samsonite IP Holdings S.ÀR.L.	14/12/2015	3232851	15837180.7	
3233264	Noxell Corporation	16/12/2015	3233264	15820414.9	
3233623	STX France S.A.	14/12/2015	3233623	15808627.2	French
3233737	Cytec Industries Inc.	15/12/2015	3233737	15821207.6	
3233797	SRI International Inc.	19/06/2015	3233797	15878248.2	
3234620	Hewlett-Packard Development Company, L.P.	16/12/2014	3234620	14908139.0	
3235180	Texas De France	18/12/2015	3235180	15828351.5	French
3235574	CAMAG AG	06/03/2017	3235574	17159445.0	German
3235895	JNC Corporation JNC Petrochemical Corporation	19/11/2015	3235895	15869731.8	
3236066	Korea Institute of Ocean Science and Technology	05/03/2015	3236066	15797829.7	
3236196	Messer Cutting Systems GmbH	23/03/2017	3236196	17162496.8	German
3236589	Huawei Technologies Co., Ltd.	09/03/2012	3236589	16206933.0	
3236593	LG Electronics Inc.	21/12/2016	3236593	16205780.6	
3236718	Kyosan Electric Mfg. Co., Ltd.	20/02/2015	3236718	15881133.1	
3237177	Renishaw Plc.	23/12/2015	3237177	15817529.9	
3237278	Itrec B.V.	18/12/2015	3237278	15837141.9	
3237281	AMEO Sports GmbH	22/12/2015	3237281	15816188.5	German
3237390	Crossing S.r.l.	22/12/2015	3237390	15830862.7	
3237414	Gilead Sciences, Inc. Institute Of Organic Chemistry And Biochemistry As CR, V.V.I.	23/12/2015	3237414	15823843.6	
3238356	Telefonaktiebolaget LM Ericsson (publ)	23/12/2014	3238356	14828582.8	
3238508	Wizconnected Company Limited	11/03/2016	3238508	16845314.0	
3238595	Hizero Technologies Co., Ltd.	10/10/2015	3238595	15905698.5	
3238613	St. Jude Medical Coordination Center BVBA	18/09/2009	3238613	17176158.8	
3239029	Yamaha Hatsudoki Kabushiki Kaisha	09/03/2017	3239029	17160075.2	
3239031	Yamaha Hatsudoki Kabushiki Kaisha	03/03/2017	3239031	17159162.1	
3239032	Yamaha Hatsudoki Kabushiki Kaisha	09/03/2017	3239032	17160078.6	
3239076	Weber Maschinenbau GmbH Breidenbach	22/03/2017	3239076	17162363.0	German
3239126	AGC Inc.	22/12/2015	3239126	15873091.1	

3706	(No. 2386)	Patents Office Journal	(29/05/2019)		
3239153	Gilead Pharmasset LLC	15/05/2013	3239153	17160683.3	
3239327	POSCO	01/12/2015	3239327	15873502.7	
3239363	POSCO	25/03/2015	3239363	15873399.8	
3239395	Bartelmuss, Klaus	22/02/2017	3239395	17157480.9	German
3239447	SOMFY ACTIVITES SA	26/04/2017	3239447	17168143.0	French
3239814	Sony Corporation	19/03/2013	3239814	17171374.6	
3239999	Delphi Technologies IP Limited	28/03/2017	3239999	17163247.4	
3240002	Shenzhen Royole Technologies Co., Ltd.	25/12/2014	3240002	14908778.5	
3240260	Garrett Transportation I Inc.	28/03/2017	3240260	17163453.8	
3240583	Ankrum, James Cezo, James, D. Kangas, Steven L.	04/01/2016	3240583	16708744.4	
3240600	The Spectranetics Corporation	30/12/2015	3240600	15876309.4	
3241029	Technoprobe S.p.A	18/12/2015	3241029	15823150.6	
3241102	Samsung Electronics Co., Ltd.	23/12/2015	3241102	15875593.4	
3242002	MAHLE Filter Systems Japan Corporation	03/12/2015	3242002	15869810.0	
3242034	Flow Control LLC.	19/03/2014	3242034	17174805.6	
3242718	Axonics Modulation Technologies, Inc.	11/01/2016	3242718	16735559.3	
3242733	Multiplex Modellsport GmbH & Co. KG	15/09/2016	3242733	16778216.8	German
3242859	OPURE	08/01/2016	3242859	16702755.6	French
3243194	Gentex Corporation	08/01/2016	3243194	16735487.7	
3243583	SLM Solutions Group AG	13/05/2016	3243583	16169572.1	
3243912	Nanning Mast Sugar Machine Equipment Manufacturing Co., Ltd.	08/12/2015	3243912	15876666.7	
3244035	VOLKSWAGEN AKTIENGESELLSCHAFT	24/03/2017	3244035	17162834.0	German
3244081	TAIHO KOGYO Co., Ltd.	01/12/2015	3244081	15909724.5	
3244093	Wegmann, Automotive USA Inc.	21/03/2013	3244093	17168482.2	
3244649	Huawei Technologies Co. Ltd.	30/01/2015	3244649	15879469.3	
3245052	Compagnie Générale des Etablissements Michelin	15/01/2016	3245052	16703573.2	French
3245170	Fives FCB	07/01/2016	3245170	16701836.5	French
3245317	ASIT Automotive S.r.l.	08/10/2015	3245317	15778287.1	
3245494	AVL Emission Test Systems GmbH	11/12/2015	3245494	15813007.0	German
3246320	Rexahn Pharmaceuticals, Inc.	17/03/2014	3246320	16206409.1	

---

3246585	MEI BRAKES LIMITED	27/04/2017	3246585	17168356.8	
3246666	JTEKT CORPORATION	15/05/2017	3246666	17171017.1	
3246671	Sick AG	22/03/2017	3246671	17162260.8	German
3246698	Elisha Systems Limited	18/05/2016	3246698	16170211.3	
3247145	Huawei Technologies Co., Ltd.	05/02/2015	3247145	15880728.9	
3247292	Guy's And St Thomas' NHS Foundation Trust	21/01/2016	3247292	16701862.1	
3247537	Atlas Copco Industrial Technique AB	19/01/2016	3247537	16700918.2	
3247731	BASF Coatings GmbH	22/01/2016	3247731	16701324.2	German
3247847	Spellucci, Gianfranco	25/01/2016	3247847	16717483.8	
3247880	Paradigm Technology Services B.V.	19/01/2016	3247880	16702042.9	
3247993	Hyriz Limited	18/01/2016	3247993	16709120.6	
3248492	adidas AG	23/05/2017	3248492	17172472.7	
3248545	Ham, Jae Sang	11/02/2015	3248545	15879003.0	
3248897	Rexam Beverage Can Company	12/03/2014	3248897	17175120.9	
3248913	Deutsche Post AG	30/03/2017	3248913	17163887.7	German
3249141	dormakaba Deutschland GmbH	22/03/2017	3249141	17162442.2	German
3249147	Huawei Technologies Co., Ltd.	14/03/2016	3249147	16840546.2	
3249891	Huawei Technologies Co., Ltd.	26/05/2017	3249891	17172997.3	
3249979	Telia Company AB	23/05/2016	3249979	16170833.4	
3250465	Coveris Flexibles France	25/01/2016	3250465	16705229.9	French
3250646	Avery Dennison Corporation PPG Coatings Europe B.V.	26/01/2016	3250646	16701629.4	
3250752	Kemira Oyj	26/01/2016	3250752	16705806.4	
3250869	Purdue Research Foundation IMA Life North America Inc.	27/01/2016	3250869	16744011.4	
3250952	Mer-Cello Wireless Solutions Ltd.	27/01/2015	3250952	15879778.7	
3251296	ARRIS Enterprises LLC	01/02/2016	3251296	16708236.1	
3251356	Qualcomm Incorporated	25/01/2016	3251356	16704738.0	
3251723	West & Berg Holding AB	03/06/2016	3251723	16172929.8	
3251835	The Boeing Company	20/03/2017	3251835	17161915.8	
3251886	Nissan Motor Co., Ltd.	29/01/2015	3251886	15879947.8	
3251978	Vigano' Servizi S.r.l.	30/05/2017	3251978	17173555.8	
3251989	OCE Holding B.V.	19/05/2017	3251989	17171985.9	
3252002	PSA Automobiles SA	09/05/2017	3252002	17170296.2	French
3252318	NHK Spring Co., Ltd.	01/06/2016	3252318	16172377.0	
3252421	VALEO SYSTEMES THERMIQUES	31/05/2016	3252421	16172127.9	
3252534	Konica Minolta, Inc.	31/05/2017	3252534	17173635.8	

---

3708	(No. 2386)	Patents Office Journal	(29/05/2019)		
3253107	Huawei Technologies Co. Ltd.	27/02/2016	3253107	16758453.1	
3253255	Bock 1 GmbH & Co. KG	03/02/2016	3253255	16703255.6	German
3253378	SOEUR JOSEFA MENENDEZ	04/02/2016	3253378	16703289.5	French
3253496	QUALIPAC	03/02/2016	3253496	16705255.4	French
3253561	Borealis AG	03/02/2016	3253561	16703481.8	
3254453	Dolby Laboratories Licensing Corporation	03/02/2016	3254453	16704783.6	
3254551	Kuhn S.A.	08/06/2017	3254551	17174941.9	French
3254568	Cia. Iguacu de Cafe Soluvel	06/06/2016	3254568	16173042.9	
3254803	F.O.M. Industrie S.r.l.	06/06/2017	3254803	17174638.1	
3254840	NEOPOST TECHNOLOGIES	29/09/2016	3254840	16191536.8	
3254890	Daechang Seat Co., Ltd.	13/07/2016	3254890	16179262.7	
3254898	Panasonic Intellectual Property Management Co., Ltd.	28/01/2016	3254898	16746298.5	
3255698	Contemporary Amperex Technology Co., Limited	11/01/2017	3255698	17151088.6	
3256344	Dorel France	09/02/2016	3256344	16705066.5	French
3256411	Draka Comteq BV	13/02/2015	3256411	15733520.9	
3256779	Finn-Savotta Oy	13/02/2015	3256779	15708249.6	
3257273	Qualcomm Incorporated	11/02/2016	3257273	16708831.9	
3257319	NEC Corporation	09/02/2016	3257319	16707239.6	
3257681	Fujitsu Component Limited	29/06/2012	3257681	17174020.2	
3257697	Alpine Electronics, Inc.	17/06/2016	3257697	16174912.2	
3257961	JFE Steel Corporation	21/01/2016	3257961	16748861.8	
3258134	CAMPAGNOLO S.R.L.	07/06/2017	3258134	17174835.3	
3258217	Sick AG	17/05/2017	3258217	17171472.8	German
3258243	Weiss Umwelttechnik GmbH	13/06/2016	3258243	16174237.4	German
3258352	Wacom Co., Ltd.	25/12/2015	3258352	15882067.0	
3258354	Samsung Display Co., Ltd.	30/03/2017	3258354	17163772.1	
3258588	Rolls-Royce plc	22/05/2017	3258588	17172121.0	
3258616	Huawei Technologies Co., Ltd.	20/03/2015	3258616	15885810.0	
3259042	Adey Holdings (2008) Limited	28/01/2016	3259042	16702774.7	
3259193	Intercontinental Great Brands LLC	12/02/2016	3259193	16706718.0	
3259486	Schaeffler Technologies AG & Co. KG	26/01/2016	3259486	16708591.9	German
3259524	Chocolate Lighting Company Ltd.	17/02/2016	3259524	16721509.4	
3259982	B&A Automation BVBA	19/06/2017	3259982	17176538.1	
3259988	DR TEZZA S.R.L.	09/06/2017	3259988	17175168.8	
3260180	AMT International, Inc.	07/06/2017	3260180	17174735.5	

3260476	Asahi Kasei Kabushiki Kaisha	19/02/2016	3260476	16752588.0	
3260567	JFE Steel Corporation	07/01/2016	3260567	16752142.6	
3260725	Continental Automotive GmbH	21/06/2016	3260725	16465514.4	
3261137	Fujitsu Limited	20/02/2015	3261137	15882635.4	
3261638	NantBioScience, Inc.	29/02/2016	3261638	16756548.0	
3261765	Bühler AG	17/02/2016	3261765	16704674.7	German
3262117	SABIC Global Technologies B.V.	22/02/2016	3262117	16708866.5	
3262118	SABIC Global Technologies B.V.	22/02/2016	3262118	16708868.1	
3262133	BaCoGa Technik GmbH	20/01/2016	3262133	16701059.4	German
3262969	MAPED	09/06/2017	3262969	17175278.5	French
3263078	KCI Licensing, Inc.	08/05/2015	3263078	17186252.7	
3263148	Berlin Heart GmbH	29/06/2016	3263148	16176858.5	German
3263533	Heraeus Quarzglas GmbH & Co. KG Leibniz-Institut für Photonische Technologien e.V.	28/06/2016	3263533	16176590.4	German
3264190	Konica Minolta, Inc.	09/06/2017	3264190	17175181.1	
3264316	NXP B.V.	27/03/2017	3264316	17163091.6	
3264639	Huawei Technologies Co., Ltd.	19/03/2015	3264639	15885042.0	
3264905	Nordischer Maschinenbau Rud. Baader GmbH + Co. KG	03/03/2015	3264905	15708186.0	German
3264916	Citrus Junos S.a r.l.	07/03/2016	3264916	16712236.5	French
3265289	Syncro S.r.l.	01/03/2016	3265289	16723507.6	
3265303	ELEpress B.V.	03/03/2016	3265303	16722405.4	
3265333	CEBI ITALY S.p.A.	01/03/2016	3265333	16721960.9	
3265348	Continental Teves AG & Co. OHG	01/03/2016	3265348	16707111.7	German
3265383	Amazon Technologies, Inc.	01/03/2016	3265383	16718931.5	
3265427	Solvay SA	02/03/2016	3265427	16707752.8	
3265489	CSL Behring Lengnau AG	04/03/2016	3265489	16708978.8	
3265490	UCL Business Plc.	04/03/2016	3265490	16709529.8	
3265513	Actega DS GmbH	02/03/2015	3265513	15706848.7	German
3265517	PRC-Desoto International, Inc.	03/03/2016	3265517	16713171.3	
3265602	Arçelik Anonim Sirketi	02/03/2015	3265602	15709443.4	
3265604	Arçelik Anonim Sirketi	02/03/2016	3265604	16707748.6	
3265733	KHD Humboldt Wedag GmbH	02/03/2016	3265733	16707149.7	German
3265775	thyssenkrupp Industrial Solutions AG thyssenkrupp AG	02/03/2016	3265775	16707446.7	German
3265776	thyssenkrupp Industrial Solutions AG thyssenkrupp AG	02/03/2016	3265776	16707447.5	German

3710	(No. 2386)	Patents Office Journal	(29/05/2019)			
3265967	Deutsche Telekom AG	04/03/2016	3265967	16711134.3	German	
3266021	Dolby Laboratories Licensing Corporation	02/03/2016	3266021	16718934.9		
3266054	Robert Bosch GmbH	03/03/2016	3266054	16707470.7	German	
3266208	Dolby Laboratories Licensing Corporation Dolby International AB	01/03/2016	3266208	16720208.4		
3266223	Bang & Olufsen A/S	04/03/2015	3266223	15711043.8		
3267010	Mitsubishi Heavy Industries Engine & Turbocharger, Ltd.	05/03/2015	3267010	15883966.2		
3267158	Diehl Metering GmbH	22/06/2017	3267158	17001055.7	German	
3267294	Wacom Co., Ltd.	23/02/2016	3267294	16761470.0		
3267392	Ricoh Company, Ltd.	09/03/2017	3267392	17160014.1		
3267521	Nippon Steel & Sumitomo Metal Corporation	03/03/2016	3267521	16758998.5		
3267785	BSE Ymond BV	08/03/2016	3267785	16719150.1		
3267805	Villa Food S.r.l.	10/03/2015	3267805	15738141.9		
3267821	Hawai Italia S.r.l.	10/03/2016	3267821	16719486.9		
3268048	Bristol-Myers Squibb Company	01/03/2016	3268048	16710382.9		
3268132	Ecofast Italia S.r.l. Tecnologie Ambientali	08/03/2016	3268132	16709274.1		
3268144	SMS group GmbH	08/03/2016	3268144	16708411.0	German	
3268351	Rhodia Operations	07/03/2016	3268351	16709320.2	French	
3268406	Huntsmann Advanced Materials Licensing (Switzerland) GmbH	08/02/2016	3268406	16703163.2		
3268439	PPG Industries Ohio, Inc.	11/03/2016	3268439	16714112.6		
3268512	Universität Paderborn	10/03/2016	3268512	16709075.2	German	
3268547	Neoperl GmbH	20/01/2016	3268547	16701254.1	German	
3268561	Deutsche Telekom AG	12/03/2015	3268561	15714410.6	German	
3268568	Palmieri S.p.A.	11/03/2016	3268568	16719129.5		
3268569	Palmieri S.p.A.	11/03/2016	3268569	16719491.9		
3268570	Palmieri S.p.A.	11/03/2016	3268570	16717704.7		
3268599	Mahle International GmbH	07/03/2016	3268599	16711158.2	German	
3268602	HTP Technologies B.V.	03/03/2016	3268602	16722404.7		
3268783	Université Paris Diderot (Paris 7) Centre National de la Recherche Scientifique (CNRS)	04/03/2016	3268783	16708992.9		
3268802	Univet S.r.l.	07/03/2016	3268802	16715890.6		



---

3268828	Saudi Arabian Oil Company	02/03/2016	3268828	16714609.1	
3269060	Telefonaktiebolaget LM Ericsson (publ)	09/03/2015	3269060	15711307.7	
3269061	Telefonaktiebolaget LM Ericsson (publ)	10/03/2016	3269061	16714044.1	
3269201	Telefonaktiebolaget LM Ericsson (publ)	10/03/2015	3269201	15884808.5	
3269452	Belotserkovsky, Mihail Konstantinovich	03/03/2016	3269452	16765335.1	
3269701	Kuraray Co., Ltd.	07/03/2016	3269701	16761700.0	
3270458	Harris Corporation	09/06/2017	3270458	17000981.5	
3270675	FUJI Corporation	09/03/2015	3270675	15884536.2	
3270709	Praxair Norge AS	15/03/2016	3270709	16714252.0	
3270721	Genius Objects	17/03/2016	3270721	16713969.0	French
3270733	Herman Miller, Inc.	14/03/2016	3270733	16709801.1	German
3270752	Malavasi, Giuseppe	16/03/2015	3270752	15715839.5	
3270835	Coloplast A/S	16/03/2016	3270835	16710392.8	
3271055	Sulfighter, LLC	18/03/2016	3271055	16765834.3	
3271194	Continental Reifen Deutschland GmbH	07/12/2015	3271194	15807636.4	German
3271195	Ningbo Geely Automobile Research & Development Co., Ltd.	17/03/2016	3271195	16716922.6	
3271238	Renault S.A.S.	14/03/2016	3271238	16711881.9	French
3271246	REEL	09/03/2016	3271246	16711879.3	French
3271265	Kraft Foods R & D, Inc.	15/03/2016	3271265	16713208.3	
3271267	JT International SA	10/03/2016	3271267	16709092.7	
3271409	BASF SE	08/03/2016	3271409	16709335.0	German
3271426	Evonik Degussa GmbH	10/03/2016	3271426	16710411.6	German
3271536	Hettich-ONI GmbH & Co. KG	07/03/2016	3271536	16708173.6	German
3271537	Hettich-ONI GmbH & Co. KG	07/03/2016	3271537	16708174.4	German
3271559	Elkamet Kunststofftechnik GmbH	14/03/2016	3271559	16710951.1	German
3271595	Küster Automotive GmbH Webasto SE	14/03/2016	3271595	16714249.6	German
3271601	Schaeffler Technologies AG & Co. KG	10/03/2016	3271601	16714228.0	German
3271674	AGCO International GmbH	14/03/2016	3271674	16713310.7	
3271680	Rheinmetall Air Defence AG	04/03/2016	3271680	16716467.2	German
3271681	Maxxloader Limited	18/03/2016	3271681	16713342.0	German
3271722	Universiteit Gent Universiteit Hasselt	15/03/2016	3271722	16713751.2	

---

3712	(No. 2386)	Patents Office Journal	(29/05/2019)		
3271738	Universidad De Sevilla Centro de Investigación Biomédica en Red (CIBER) Servicio Andaluz de Salud	17/03/2016	3271738	16710221.9	
3271882	Wenda S.r.L.	16/03/2016	3271882	16719502.3	
3271895	Nobel Biocare Services AG	17/03/2016	3271895	16713770.2	
3271986	ABB Schweiz AG	17/03/2016	3271986	16713332.1	
3271991	Vorwerk & Co. Interholding GmbH	19/03/2015	3271991	15712580.8	German
3272759	Evonik Degussa GmbH	19/07/2016	3272759	16180055.2	German
3273262	HENSOLDT Sensors GmbH	23/07/2016	3273262	16001618.4	
3273824	VIBO S.p.A.	24/03/2016	3273824	16725896.1	
3273900	medineering GmbH	24/03/2016	3273900	16712836.2	German
3273936	BASF SE	16/03/2016	3273936	16713758.7	German
3274078	W & F Beheer B.V.	24/03/2016	3274078	16727238.4	
3274177	OCE-Technologies B.V.	22/03/2016	3274177	16711278.8	
3274215	Adient Luxembourg Holding S.à r.l.	23/03/2016	3274215	16712021.1	German
3274231	BYD Company Limited	21/03/2016	3274231	16767744.2	
3274259	Bombardier Inc.	07/03/2016	3274259	16711895.9	
3274289	DANA ITALIA S.r.l.	23/03/2016	3274289	16714326.2	
3274309	Pilkington Group Limited	23/03/2016	3274309	16712429.6	
3274310	Pilkington Group Limited	23/03/2016	3274310	16712430.4	
3274599	Short Brothers Plc	08/03/2016	3274599	16710287.0	
3274603	Schaeffler Technologies AG & Co. KG	16/03/2016	3274603	16719202.0	German
3274716	Universiteit Gent	22/03/2016	3274716	16714304.9	
3274735	OSRAM GmbH	21/03/2016	3274735	16711596.3	German
3274762	Grandvision Group Holding B.V.	23/03/2016	3274762	16715258.6	
3274776	Klingelberg AG	23/03/2016	3274776	16712309.0	German
3275040	Fraunhofer-Gesellschaft zur Förderung der angewandten Forschung e.V.	23/03/2016	3275040	16715259.4	German
3275135	Markport Limited	22/03/2016	3275135	16725890.4	
3275225	Qualcomm Incorporated	22/03/2016	3275225	16712183.9	
3275228	Giesecke+Devrient Mobile Security GmbH	24/03/2016	3275228	16715451.7	German
3275265	QUALCOMM Incorporated	22/03/2016	3275265	16712696.0	
3275290	Signify Holding B.V.	15/03/2016	3275290	16713318.0	
3275700	Bridgestone Corporation	10/03/2016	3275700	16767972.9	
3275884	Nippon Kayaku Kabushiki Kaisha	23/03/2016	3275884	16768792.0	
3276023	JFE Steel Corporation	24/03/2016	3276023	16768070.1	

---

3276032	JFE Steel Corporation	25/03/2016	3276032	16771744.6	
3276077	Cemex Research Group AG	27/07/2016	3276077	16181427.2	
3277078	aponix GmbH	29/03/2016	3277078	16717266.7	German
3277093	Viscofan Technology (Suzhou) Co., Ltd.	30/03/2016	3277093	16712871.9	
3277110	Philip Morris Products S.A.	30/03/2016	3277110	16712347.0	
3277129	Octo Group AG	24/03/2016	3277129	16711829.8	German
3277174	Drägerwerk AG & Co. KGaA	24/03/2016	3277174	16712728.1	German
3277350	Meda AB	02/03/2016	3277350	16710925.5	German
3277358	Koninklijke Philips N.V.	29/03/2016	3277358	16715815.3	
3277444	Massaro, Libero Angelo	22/03/2016	3277444	16717706.2	
3277488	Arlanxeo Netherlands B.V.	23/03/2016	3277488	16711291.1	
3277518	Bundesdruckerei GmbH	31/03/2016	3277518	16713428.7	German
3277522	Compagnie Générale des Etablissements Michelin	24/03/2016	3277522	16714498.9	French
3277589	Ponti, Lorenzo	30/03/2016	3277589	16723824.5	
3277601	Arçelik Anonim Sirketi	31/03/2015	3277601	15712954.5	
3277628	Wacker Chemie AG	16/03/2016	3277628	16710197.1	German
3277681	Merck Patent GmbH	31/03/2016	3277681	16717560.3	German
3277688	ratiopharm GmbH	23/03/2016	3277688	16714315.5	
3277853	Oxford University Innovation Limited	23/03/2016	3277853	16713034.3	
3277867	Compagnie Générale des Etablissements Michelin	30/03/2016	3277867	16714840.2	French
3277960	Settima Meccanica S.R.L.	31/03/2016	3277960	16726422.5	
3277969	Aktiebolaget SKF (publ)	24/03/2016	3277969	16726145.2	
3277970	Aktiebolaget SKF (publ)	24/03/2016	3277970	16722353.6	
3277977	Lisega SE	11/03/2016	3277977	16709776.5	German
3277987	Volvo Truck Corporation	30/03/2015	3277987	15713723.3	
3278014	Microsoft Technology Licensing, LLC	21/03/2016	3278014	16713252.1	
3278024	BSH Hausgeräte GmbH	02/03/2016	3278024	16708456.5	German
3278148	Saint-Gobain Glass France	25/03/2016	3278148	16718422.5	French
3278149	Saint-Gobain Glass France	25/03/2016	3278149	16718424.1	French
3278612	Sony Corporation	07/03/2016	3278612	16709015.8	
3278638	Robert Bosch GmbH	11/03/2016	3278638	16709441.6	German
3279193	CYNORA GMBH	20/12/2016	3279193	16205427.4	German
3279205	Amorepacific Corporation	14/03/2016	3279205	16773318.7	
3279504	SRAM Deutschland GmbH	27/07/2017	3279504	17001296.7	German
3280181	Huawei Technologies Co. Ltd.	31/03/2015	3280181	15886898.4	

---

3714	(No. 2386)	<i>Patents Office Journal</i>		(29/05/2019)		
3280297	SEB S.A.	05/04/2016	3280297	16733627.0	French	
3280502	Commissariat à l'Énergie Atomique et aux Énergies Alternatives	04/04/2016	3280502	16719453.9	French	
3280853	GEZE GmbH	21/03/2016	3280853	16711261.4	German	
3280901	Robert Bosch GmbH	21/03/2016	3280901	16711254.9	German	
3280902	Robert Bosch GmbH	21/03/2016	3280902	16711255.6	German	
3281026	Thales	08/04/2016	3281026	16715316.2	French	
3281451	Telefonaktiebolaget LM Ericsson (publ)	08/03/2016	3281451	16710818.2		
3281534	Matsutani Chemical Industry Co., Ltd.	18/03/2016	3281534	16768721.9		
3281583	Micrima Limited	10/03/2017	3281583	17160388.9		
3282213	Linde Aktiengesellschaft	09/08/2016	3282213	16001769.5	German	
3282345	Fujitsu Limited	09/04/2015	3282345	15888497.3		
3282625	China Academy of Telecommunications Technology	22/03/2016	3282625	16776068.5		
3283064	Metabrain Research	14/04/2016	3283064	16729310.9	French	
3283159	N.V. Nutricia RAUMEDIC AG	30/03/2016	3283159	16713864.3	German	
3283255	ThyssenKrupp Presta TecCenter AG thyssenkrupp AG	15/03/2016	3283255	16713315.6	German	
3283292	Commissariat à l'Énergie Atomique et aux Énergies Alternatives	11/04/2016	3283292	16719242.6	French	
3283373	Zodiac Seats France	05/04/2016	3283373	16713940.1	French	
3283389	Nordson Corporation	28/03/2016	3283389	16715953.2		
3283681	BSH Hausgeräte GmbH	18/03/2016	3283681	16710475.1	German	
3283690	Plasser & Theurer Export von Bahnbaumaschinen Gesellschaft m.b.H.	15/03/2016	3283690	16709907.6	German	
3284157	Wobben Properties GmbH	11/03/2016	3284157	16709436.6	German	
3285100	Nippon Telegraph and Telephone Corporation	18/03/2016	3285100	16779871.9		
3285430	Huawei Technologies Co., Ltd.	29/12/2015	3285430	15891722.9		
3286029	Webasto SE	23/03/2016	3286029	16712809.9	German	
3286045	Valeo Schalter und Sensoren GmbH	19/04/2016	3286045	16718637.8	German	
3286370	BSH Hausgeräte GmbH	24/03/2016	3286370	16712028.6	German	
3286371	Società per Azioni Fratelli Citterio	29/02/2016	3286371	16712737.2		
3286518	Extranight	31/03/2016	3286518	16714847.7	French	
3287708	Mitsubishi Electric Corporation	17/06/2016	3287708	16901913.0		
3287763	Kurita Water Industries Ltd.	03/03/2016	3287763	16813996.2		
3287801	LG Chem, Ltd.	04/08/2016	3287801	16837251.4		

3288429	Gemme Italian Producers S.r.l.	21/03/2016	3288429	16719511.4	
3288679	IFP Energies nouvelles	11/03/2016	3288679	16709457.2	French
3288731	Weber Maschinenbau GmbH Breidenbach	14/06/2016	3288731	16729255.6	German
3288815	ThyssenKrupp Presta AG thyssenkrupp AG	10/08/2015	3288815	15756572.2	
3288902	Hydrokemos, S.L.	29/04/2016	3288902	16719092.5	
3290591	Hitachi Construction Machinery Tierra Co., Ltd.	01/03/2017	3290591	17158643.1	
3290786	DONGGUAN PAN AMERICAN ELECTRONICS CO., LTD	20/03/2017	3290786	17161864.8	
3291352	Samsung Electronics Co., Ltd. Samsung SDI Co., Ltd.	20/06/2017	3291352	17177007.6	
3291411	Maschinenfabrik Reinhausen GmbH	01/09/2016	3291411	16186872.4	German
3292440	ASML Netherlands B.V.	10/03/2016	3292440	16709387.1	
3293494	AUTOMATION ENGINEERING INNOVATION S.R.L.	07/09/2016	3293494	16187556.2	
3295126	Northrop Grumman LITEF GmbH	23/03/2016	3295126	16716010.0	German
3295596	Qualcomm Incorporated	13/05/2016	3295596	16727026.3	
3295642	Citrix Systems Inc.	10/05/2016	3295642	16723918.5	
3295664	Raytheon Company	08/03/2016	3295664	16717728.6	
3296315	Forschungszentrum Jülich GmbH	10/09/2013	3296315	17001677.8	German
3296470	Caterpillar Work Tools B. V.	15/09/2016	3296470	16188989.4	
3297449	Prodotti Gianni S.r.l.	17/05/2016	3297449	16728226.8	
3297603	Maria Clementine Martin Klosterfrau Vertriebsgesellschaft mbH	20/05/2016	3297603	16724629.7	German
3297871	Adler Pelzer Holding GmbH	18/05/2016	3297871	16724021.7	German
3297932	Sonoco Development, Inc.	19/05/2015	3297932	15727874.8	German
3298814	Huawei Technologies Co., Ltd.	23/06/2016	3298814	16813726.3	
3299123	Carl Freudenberg KG	23/09/2016	3299123	16190322.4	
3299453	Xcell Medical Solutions, S.L.	23/09/2016	3299453	16382443.6	
3299679	KCM Corporation	07/03/2017	3299679	17159526.7	
3299939	Alpine Electronics, Inc.	27/09/2016	3299939	16190893.4	
3300145	Kabushiki Kaisha Toshiba	14/03/2017	3300145	17160781.5	
3300786	Hydac Filtrertechnik GmbH	02/03/2011	3300786	17001896.4	German
3301138	DAW SE	30/09/2016	3301138	16191982.4	German
3301228	IWIS Insulation Waterproofing Industrial Systems S.R.L.	22/09/2017	3301228	17001569.7	

3716	(No. 2386)	<i>Patents Office Journal</i>		(29/05/2019)	
3301318	Hitachi Construction Machinery Co., Ltd.	03/03/2017	3301318	17159093.8	
3302711	B. Kolormakeup & Skincare S.p.A.	03/06/2016	3302711	16739256.2	
3302767	Technologies Avancees et Membranes Industrielles	25/05/2016	3302767	16731226.3	French
3303068	Joyson Safety Systems Germany GmbH	27/05/2016	3303068	16729803.3	German
3303144	AETNA GROUP S.P.A. Robopac S.p.A.	27/05/2016	3303144	16734744.2	
3303156	Fuji Seal International, Inc.	26/05/2016	3303156	16725143.8	
3303825	Segula Engineering France	01/06/2016	3303825	16729814.0	French
3303980	Openworks Engineering Ltd. Down, Christopher David Armstrong, Neil Rockcliffe Cross, James Edward Wilkinson, Alexander James Wilkinson, Roland Sebastian	01/06/2016	3303980	16727796.1	
3305669	Amorim Cork Research, Lda.	27/05/2016	3305669	16732008.4	
3306320	Tanaka Kikinzoku Kogyo K.K.	01/06/2016	3306320	16803420.5	
3306900	Secucloud GmbH	07/10/2016	3306900	16192802.3	
3307406	Microsoft Technology Licensing, LLC	13/05/2016	3307406	16725319.4	
3307486	Atlas Copco Industrial Technique AB	03/06/2016	3307486	16729219.2	
3307501	Genius GmbH	10/06/2016	3307501	16730772.7	German
3307603	ThyssenKrupp Presta AG thyssenkrupp AG	03/06/2016	3307603	16726874.7	German
3307627	The Procter & Gamble Company	07/06/2016	3307627	16730640.6	
3307835	P2i Ltd	08/06/2016	3307835	16739237.2	
3308018	Fothergill, Alexander	15/06/2016	3308018	16731271.9	
3308438	ABB Schweiz AG	08/06/2016	3308438	16729846.2	
3309378	NISSAN MOTOR CO., LTD.	12/06/2015	3309378	15894982.6	
3309490	Hamon Thermal Europe S.A.	15/09/2017	3309490	17020424.2	French
3310495	Safran Aircraft Engines	10/06/2016	3310495	16739210.9	French
3310498	HUECK Rheinische GmbH	17/06/2016	3310498	16747447.7	German
3310697	Futura S.p.A.	27/05/2016	3310697	16741158.6	
3310779	Novartis AG	15/06/2016	3310779	16731341.0	
3311011	MTU Friedrichshafen GmbH	02/06/2016	3311011	16727955.3	German
3311023	Continental Automotive GmbH	18/05/2016	3311023	16726039.7	
3311102	Etienne Lacroix Tous Artifices S.A.	22/06/2016	3311102	16730438.5	French
3312373	Ideal Sanitary Ware Co., Ltd.	08/09/2016	3312373	16892931.3	

---

3312615	Brüel & Kjaer Vibro GmbH	19/10/2017	3312615	17020482.0	German
3313539	Linky Innovation Srl	16/06/2016	3313539	16733332.7	
3313853	Synbias Pharma AG	22/06/2016	3313853	16731862.5	
3314041	Industrie De Nora S.P.A.	22/06/2016	3314041	16731150.5	
3314148	Industreer GmbH	21/06/2016	3314148	16730407.0	German
3314244	Kooyen Holding B.V.	22/06/2016	3314244	16751365.4	
3315204	Alfa Laval Corporate AB	31/10/2016	3315204	16196561.1	
3315286	A.K. TECHNICAL LABORATORY, INC.	27/08/2015	3315286	15897077.2	
3316711	Nicoventures Holdings Limited	10/06/2016	3316711	16729349.7	
3317047	Atlas Copco Industrial Technique AB	09/06/2016	3317047	16729864.5	
3317121	Compagnie Générale des Etablissements Michelin	01/07/2016	3317121	16734378.9	French
3317122	Compagnie Générale des Etablissements Michelin	01/07/2016	3317122	16734379.7	French
3317123	Compagnie Générale des Etablissements Michelin	01/07/2016	3317123	16736048.6	French
3317247	Pivert S.A.S. Centre National de la Recherche Scientifique CNRS Université d'Artois	15/06/2016	3317247	16732992.9	French
3317267	Syngenta Participations AG	28/06/2016	3317267	16732653.7	
3317305	Compagnie Générale des Etablissements Michelin	30/06/2016	3317305	16734363.1	French
3317436	Industrie De Nora S.p.A.	30/06/2016	3317436	16733089.3	
3317470	KEOKI Company SA	28/06/2016	3317470	16734759.0	French
3317602	SMS Group GmbH	27/06/2016	3317602	16741529.8	German
3317956	Signify Holding B.V.	29/06/2016	3317956	16734609.7	
3318674	Profilbeton GmbH	04/11/2016	3318674	16197354.0	German
3318736	IAV GmbH	03/11/2017	3318736	17020520.7	German
3318752	Mitsubishi Heavy Industries, Ltd.	13/03/2017	3318752	17160583.5	
3319267	Hytera Communications Corporation Limited	01/07/2015	3319267	15896803.2	
3319309	Sharp Kabushiki Kaisha	10/03/2016	3319309	16817513.1	
3319497	SEB S.A.	04/07/2016	3319497	16742371.4	French
3319727	Sartorius Stedim Biotech GmbH	27/04/2016	3319727	16720044.3	German
3319756	Thielenhaus Technologies GmbH	07/07/2016	3319756	16736852.1	German
3320007	Akzo Nobel Coatings International B.V.	08/06/2016	3320007	16730751.1	German

---

3718	(No. 2386)	Patents Office Journal	(29/05/2019)		
3320118	Erretre S.p.A.	31/05/2016	3320118	16736234.2	
3320199	Volkswagen Aktiengesellschaft	08/06/2016	3320199	16727708.6	German
3320285	SABIC Global Technologies B.V.	29/06/2016	3320285	16741145.3	
3320567	Universitat de Barcelona Technische Universität Braunschweig	06/07/2016	3320567	16736126.0	
3320619	Forschungszentrum Jülich GmbH	05/07/2016	3320619	16742190.8	German
3321836	Panasonic Intellectual Property Management Co., Ltd.	11/03/2016	3321836	16778668.0	
3322598	Continental Reifen Deutschland GmbH	09/02/2016	3322598	16703542.7	German
3322854	Oxford Plastic Systems Limited	13/07/2016	3322854	16744454.6	
3322899	Gardner Denver Deutschland GmbH	12/07/2016	3322899	16745062.6	German
3323162	Johnson Controls Technology Company	10/07/2016	3323162	16751048.6	
3323811	FUJIFILM Corporation	14/07/2016	3323811	16824515.7	
3324479	VARTA Microbattery GmbH	21/11/2016	3324479	16199766.3	German
3324780	Otter Products, LLC	10/03/2016	3324780	16713190.3	
3324810	SEKO S.p.A.	21/07/2016	3324810	16763940.0	
3325286	Continental Reifen Deutschland GmbH	07/03/2016	3325286	16708149.6	German
3325287	Jaguar Land Rover Limited	14/07/2016	3325287	16738459.3	
3325296	RENAULT s.a.s.	12/07/2016	3325296	16748336.1	French
3325411	IMRA Europe SAS	19/07/2016	3325411	16757280.9	French
3326224	Cabot Corporation	15/07/2016	3326224	16741817.7	
3326994	Dalian Institute of Chemical Physics, Chinese Academy of Sciences	08/12/2015	3326994	15898800.6	
3327590	Beijing Xiaomi Mobile Software Co., Ltd.	06/03/2017	3327590	17159424.5	
3328056	Guangdong Oppo Mobile Telecommunications Corp., Ltd	16/06/2017	3328056	17176325.3	
3328637	Beynel Université de Bordeaux Institut Polytechnique de Bordeaux Centre National de la Recherche Scientifique	22/07/2016	3328637	16750986.8	French
3328698	Faiveley Transport Italia S.p.A.	29/07/2016	3328698	16766370.7	
3329028	Arcelormittal	08/07/2016	3329028	16741987.8	
3329574	Samsung Electronics Co., Ltd.	27/07/2016	3329574	16830833.6	
3329609	B<>COM	19/07/2016	3329609	16757282.5	French
3329719	Microsoft Technology Licensing, LLC	28/06/2016	3329719	16745248.1	
3330247	Evonik Degussa GmbH	02/12/2016	3330247	16201929.3	German



---

3330465	ISARIA Corporate Design AG	15/03/2017	3330465	17161046.2	German
3331398	SEB S.A.	12/07/2016	3331398	16745801.7	French
3332050	SEPIES GmbH	02/08/2016	3332050	16745479.2	German
3332072	Universita' Degli Studi di Firenze	28/07/2016	3332072	16763563.0	
3332347	Google LLC	22/06/2016	3332347	16742070.2	
3334742	F. Hoffmann-La Roche AG	08/08/2016	3334742	16754452.7	
3334782	SABIC Global Technologies B.V.	14/07/2016	3334782	16738450.2	
3335024	Siemens Aktiengesellschaft	17/06/2016	3335024	16730818.8	German
3335045	Diagnostig Ltd	12/08/2016	3335045	16754309.9	
3335093	Qualcomm Incorporated	13/07/2016	3335093	16751382.9	
3335209	Telecom Italia S.p.A.	11/08/2015	3335209	15757447.6	
3337253	NTT DoCoMo, Inc.	10/08/2016	3337253	16835215.1	
3337601	Danieli & C. Officine Meccaniche S.p.A. HYL Technologies, S.A. de C.V.	18/08/2016	3337601	16756998.7	
3337602	Danieli & C. Officine Meccaniche S.p.A. HYL Technologies, S.A. de C.V.	18/08/2016	3337602	16756999.5	
3337616	Greiner Bio-One GmbH	18/08/2016	3337616	16777890.1	German
3337649	Mahle International GmbH	16/08/2016	3337649	16757837.6	German
3337752	Terex Global GmbH	22/11/2016	3337752	16798539.9	German
3338066	Mahle International GmbH	09/08/2016	3338066	16751284.7	German
3338094	F. Hoffmann-La Roche AG	18/08/2016	3338094	16754484.0	
3338423	Telefonaktiebolaget LM Ericsson (PUBL)	17/08/2015	3338423	15753351.4	
3338470	Qualcomm Incorporated	11/08/2016	3338470	16754376.8	
3339985	ams AG	22/12/2016	3339985	16206412.5	
3340940	Otto Bock Healthcare Products GmbH	19/08/2016	3340940	16753926.1	German
3341143	SMS Group GmbH	17/08/2016	3341143	16751611.1	German
3341272	Ortlieb Sportartikel GmbH	19/07/2016	3341272	16763193.6	German
3341633	FCA US LLC	24/08/2016	3341633	16760862.9	
3342219	Telefonaktiebolaget LM Ericsson (PUBL)	25/08/2015	3342219	15902377.9	
3343815	Xieon Networks S.à r.l.	29/12/2016	3343815	16207354.8	
3347300	Terex Global GmbH	22/11/2016	3347300	16798537.3	German
3347643	Bayerische Motoren Werke Aktiengesellschaft	03/08/2016	3347643	16754431.1	German
3348091	Telefonaktiebolaget LM Ericsson (publ)	09/06/2016	3348091	16730922.8	

---

3720	(No. 2386)	Patents Office Journal	(29/05/2019)		
3348111	Qualcomm Incorporated	13/07/2016	3348111	16748192.8	
3348711	Jiangsu Fasten Steel Cable Co., Ltd.	03/02/2016	3348711	16871923.5	
3349042	SICK AG	11/01/2017	3349042	17150936.7	German
3350876	Volvo Truck Corporation Kapsch TrafficCom AB	14/09/2015	3350876	15763319.9	
3350922	Sonos, Inc.	16/09/2016	3350922	16779219.1	
3351722	Underwater Cutting Solutions Limited	18/01/2017	3351722	17152031.5	
3351765	Nissan Motor Co., Ltd.	16/09/2015	3351765	15904067.4	
3352580	Hochland SE	09/08/2016	3352580	16760393.5	German
3353507	Zodiac Aerotechnics	23/09/2015	3353507	15845525.3	
3356166	TOYOTA JIDOSHA KABUSHIKI KAISHA Denso Corporation	29/09/2016	3356166	16788198.6	
3356767	Raytheon Company	13/05/2016	3356767	16724262.7	
3357466	Unicharm Corporation	23/06/2016	3357466	16850770.5	
3359733	Andritz AG	14/09/2016	3359733	16766279.0	German
3359734	Andritz AG	15/09/2016	3359734	16766540.5	German
3361675	HUAWEI TECHNOLOGIES CO., LTD.	14/12/2016	3361675	16897463.2	
3367612	HUAWEI TECHNOLOGIES CO., LTD.	25/08/2016	3367612	16892930.5	
3368817	Signify Holding B.V.	04/10/2016	3368817	16778773.8	
3369787	Evonik Röhm GmbH	03/03/2017	3369787	17159124.1	
3369788	Evonik Röhm GmbH	03/03/2017	3369788	17159145.6	
3369930	PistonPower ApS	03/03/2017	3369930	17159047.4	
3370045	Bizerba SE & Co. KG	02/03/2017	3370045	17158976.5	German
3370986	Konecranes Global Corporation	03/11/2016	3370986	16791010.8	German
3373093	SICK AG	08/03/2017	3373093	17159855.0	German
3373458	SICK AG	08/03/2017	3373458	17159840.2	German
3375787	Cellbion Co., Ltd.	09/11/2016	3375787	16864546.3	
3376691	Rohde & Schwarz GmbH & Co. KG	14/03/2017	3376691	17160917.5	
3378179	Telefonaktiebolaget LM Ericsson (PUBL)	26/02/2016	3378179	16709837.5	
3379782	Deutsche Telekom AG	24/03/2017	3379782	17162699.7	
3379979	Faster Displays LLC	24/11/2016	3379979	16809178.3	
3382735	Sick AG	31/03/2017	3382735	17164188.9	German
3383767	Aroma System SRL	14/12/2016	3383767	16834104.8	
3384705	Google LLC	22/12/2016	3384705	16823530.7	

---

3386410	Reach Surgical, Inc.	11/12/2016	3386410	16874025.6	
3386851	Amazon Technologies, Inc.	07/12/2016	3386851	16822302.2	
3387365	Raytheon Company	30/06/2016	3387365	16826491.9	
3389339	Bottle Top Machinery Co., Ltd.	10/04/2017	3389339	17165679.6	
3389472	Koninklijke Philips N.V.	06/12/2016	3389472	16806093.7	
3390600	Unilever PLC	29/11/2016	3390600	16801811.7	
3390785	Thermoelectric Industrial Solutions GmbH	19/12/2016	3390785	16836228.3	German
3391126	Google LLC	19/12/2016	3391126	16826240.0	
3392496	FCA Italy S.p.A.	21/04/2017	3392496	17167497.1	
3393356	Koninklijke Philips N.V.	15/12/2016	3393356	16822932.6	
3393981	Outotec (Finland) Oy	21/12/2016	3393981	16823300.5	
3395127	Koninklijke Philips N.V.	22/12/2016	3395127	16825424.1	
3397167	Koninklijke Philips N.V.	30/12/2016	3397167	16822222.2	
3403449	Qualcomm Incorporated	09/12/2016	3403449	16822842.7	
3403463	innogy Innovation GmbH	12/02/2016	3403463	16705745.4	
3404197	PRAKLA Bohrtechnik GmbH	18/05/2017	3404197	17171659.0	German
3405385	Robert Frank GmbH & Co. KG	20/12/2016	3405385	16822154.7	German
3405386	Robert Frank GmbH&Co. KG	20/12/2016	3405386	16822976.3	German
3409031	Telefonaktiebolaget LM Ericsson (PUBL)	29/01/2016	3409031	16701962.9	
3410324	Siemens Healthcare GmbH	30/05/2017	3410324	17173349.6	German
3413204	dSPACE digital signal processing and control engineering GmbH	09/06/2017	3413204	17175193.6	German

---

**Refused - Section 31(1)**

- 20070082 Int. Cl. (2019.01)**H04L 12/56; G01S 5/00; H04Q 7/38**. A system and method for monitoring the location of a mobile network unit. HYINTEL LIMITED
- 20070373 Int. Cl. (2019.01)**H02H 1/00; G01R 31/08; H02H 3/40**. A method of detecting faults on an electrical power line. FMC TECH LIMITED
- 20090304 Int. Cl. (2019.01)**G01R 31/08; H02H 1/00; H02H 3/40**. A system and method for locating line faults in a medium voltage network. FMC TECH LIMITED

**Deemed to be Withdrawn – Section 31(3)**

- S20170065 Int. Cl. (2019.01) **A47G 23/00; A47B 81/00**. Tray support apparatus. BERNADETTE TERESA MOLLOY
- S20180131 Int. Cl. (2019.01) **B28B 7/00**. A mould. CARLOW PRECAST MANUFACTURING

**Withdrawn – Section 33(1)**

- S20180137 A Powder Recycling Apparatus and Method. CROOM PRECISION MEDICAL
- 20180235 Int. Cl. (2019.01)**B32B 7/00; B32B 3/00; B65C 9/00; B31D 1/00; G09F 3/00**. A linerless label and manufacture thereof. GLYTECH LIMITED
-

## Patents Lapsed Through Non-Payment of Renewal Fees

- 84042** Int. Cl. (2019.01)**H01L 21/66; H05H 1/00**. Radio frequency langmuir probe.  
Lam Research International Sarl
- S85964** Int. Cl. (2019.01)**B60K 35/00; B60K 37/00**. Clock for motorcycle. DAVID  
JAMES HARRIS
- S86556** Int. Cl. (2019.01)**B65G 69/00; B65G 21/00; F16F 7/00**. A dock ramp assembly  
and bumper assembly. ESIDOCK LIMITED
- 86771** Int. Cl. (2019.01)**F24H 1/00; F28D 20/00**. A device for the passage of water.  
NORCROS GROUP (HOLDINGS) LIMITED
- 1044096** THE FORMATION OF INDICIA IN THE BASE OF A BLISTER PACK FOR  
TRANSFERENCE TO A BODY CAST THEREIN. Catalent U.K. Swindon  
Zydis Limited
- 1077186** Reclosable laminated packaging film and packaging made therewith. Amcor  
Flexibles France
- 1100390** TOOL AND METHOD FOR SHEARING BOLTS. V O Design and Innovation  
Limited
- 1100542** PEG-URATE OXIDASE CONJUGATES AND USE THEREOF. Mountain  
View Pharmaceuticals, Inc.; Duke University
- 1100880** URATE OXIDASE. Duke University
- 1103131** IP MOBILITY SUPPORT USING PROXY MOBILE NODE REGISTRATION.  
QUALCOMM INCORPORATED
- 1104259** Bone fixation apparatus. Kinamed Incorporated
- 1104987** METHOD FOR CONTROLLING THE TEMPERATURE IN A CLIMATE  
CHAMBER AND CLIMATIC DEVICE. Hatchtech Group B.V.
- 1105386** NOVEL SALT FORM OF PANTOPRAZOLE. Takeda GmbH
- 1105794** DIFFERENCE EXTRACTION BETWEEN TWO VERSIONS OF DATA-  
TABLES CONTAINING INTRA-REFERENCES. Red Bend Ltd.
- 1119425** CAN END HAVING A STRENGTHENED SIDE WALL AND APPARATUS  
AND METHOD OF MAKING SAME. CROWN Packaging Technology, Inc.
- 1135079** POLYPECTOMY SNARE INSTRUMENT. Boston Scientific Limited
- 1202676** RETRIEVAL DEVICE. Salviac Limited
- 1204643** FUNGICIDAL HETEROCYCLIC AROMATIC AMIDES AND THEIR  
COMPOSITIONS, METHODS OF USE AND PREPARATION. Dow  
AgroSciences LLC
- 1205398** SEALING LABEL. Santen Pharmaceutical Co., Ltd
- 1206437** SINGLE-PHASE PROCESS FOR PRODUCTION OF FATTY ACID METHYL  
ESTERS FROM MIXTURES OF TRIGLYCERIDES AND FATTY ACIDS.
-

Biox Corporation

**1206874** TRANSCODING FOR CONSUMER SET-TOP STORAGE APPLICATION.

Google Technology Holdings LLC

**1207757** ECTOPARASITICIDAL AQUEOUS SUSPENSION FORMULATIONS OF SPINOSYNS. ELI LILLY AND COMPANY

**1208707** ADD-ON BASE STATION FOR CELLULAR NETWORK EXPANSION.

Barkan, Elad

**1210355** GLYCOCONJUGATES, GLYCOAMINO, ACIDS, INTERMEDIATES THERETO, AND USES THEREOF. Sloan-Kettering Institute For Cancer Research

**1210777** TRANSMISSION USING AN ANTENNA ARRAY IN A CDMA COMMUNICATION SYSTEM. INTERDIGITAL TECHNOLOGY CORPORATION

**1212734** ELECTRONIC CURRENCY, ELECTRONIC WALLET THEREFOR AND ELECTRONIC PAYMENT SYSTEMS EMPLOYING THEM. MONEYCAT Ltd.

**1213003** RECESSED PART FORMING INSTILLATION CONTAINER. Santen Pharmaceutical Co., Ltd

**1218045** LUER RECEIVING VASCULAR ACCESS SYSTEM. Lynn, Lawrence A.

**1221236** SYSTEM FOR PROVIDING SERVICES. Broadsoft, Inc.

**1241837** TRANSMITTING/RECEIVING METHOD AND DEVICE THEREFOR. Panasonic Intellectual Property Corporation of America

**1264482** METHOD AND COMMUNICATION SYSTEM FOR THE BILLING OF ACCESS CONTROLLED PROGRAMMES AND/OR DATA FROM BROADCAST TRANSMITTERS. KUDELSKI S.A.

**1286320** Detector, method for operating a detector and test device for a detector. HEKATRON Technik GmbH

**1288205** NOVEL PHENYLALANINE DERIVATIVES. EA Pharma Co., Ltd.

**1306178** IMPROVEMENTS TO CERAMIC CUTTERS. Germans Boada, S.A.

**1307112** METHOD AND SYSTEM FOR SUPPLYING AMINO ACIDS OR CHEMICAL DERIVATIVES IN LIQUID FORM TO RUMINANT LIVESTOCK. ARCHER-DANIELS-MIDLAND COMPANY; Baricco, Giuseppe

**1307303** CONNECTING DEVICE. Ollis, William Henry

**1309635** AQUEOUS COPOLYMER THICKENER COMPOSITIONS. Akzo Nobel Coatings International B.V.

**1309719** BIOREACTOR AND BIOPROCESSING TECHNIQUE. University of Maryland at Baltimore County

---

- 
- 1309917** CACHE SYSTEM AND METHOD FOR GENERATING UNCACHED OBJECTS FROM CACHED AND STORED OBJECT COMPONENTS. AWARE, INC.
- 1310119** COMMUNIQUE SYSTEM WITH DYNAMIC BANDWIDTH ALLOCATION IN CELLULAR COMMUNICATION NETWORKS. QUALCOMM Incorporated
- 1311269** METHOD OF USING DIKETOPIPERAZINES AND COMPOSITION CONTAINING THEM. Ampio Pharmaceuticals, Inc.
- 1311488** SUBSTITUTED IMIDAZOLES AS TAFIA INHIBITORS. Pfizer Limited
- 1311531** STEROID DERIVED ANTIBIOTICS. Brigham Young University
- 1313408** DEVICE FOR COLLECTING AN ANIMAL'S SEMINAL FLUID. IMV Technologies
- 1317217** STEERABLE SPHINCTEROTOME. Boston Scientific Limited
- 1351723** FLUID DELIVERY SYSTEMS FOR DELIVERING FLUIDS TO MULTILUMEN CATHETERS. Cordis Corporation
- 1354230** INTEGRATED OPTICAL DEVICE. Kaiam Europe Limited
- 1355669** AUGMENTED COGNITIVE TRAINING. COLD SPRING HARBOR LABORATORY
- 1361907** GASTRIC ACCESS PORT. Hammerhead Design and Development, Inc.
- 1366825** Method and apparatus for creating a pulsed stream of particles. THE PROCTER & GAMBLE COMPANY
- 1388641** Hard insert with PDC layer. HILTI Aktiengesellschaft
- 1389717** Air exchanging device, particularly for the interior of a building, with an airflow controller. Meltem Wärmerückgewinnung GmbH & Co. KG
- 1392036** Data transmission method and arrangement. Telia Finland Oyj
- 1410214** DATA PROCESSING METHOD. Informatica Corporation
- 1414698** CAVITATION ALLEVIATION AND LINE CUTTING DEVICE. SHAW, Robin D.
- 1417756** SUB-BAND ADAPTIVE SIGNAL PROCESSING IN AN OVERSAMPLED FILTERBANK. Semiconductor Components Industries, LLC
- 1417800** METHOD AND SYSTEM FOR STORING LARGE DATA FILES. Bentley Systems, Incorporated
- 1418855** APPARATUS FOR PERCUTANEOUSLY SECURING A BONE SCREW AND A BONE PLATE TO A BONE OF A PATIENT. Depuy Products, Inc.
- 1419179** ANTIGEN BINDING DOMAINS FROM FISH. University of Maryland, Baltimore; ABERDEEN UNIVERSITY
- 1420764** MULTI-PART DENTAL BLEACHING SYSTEMS AND METHOD FOR BLEACHING TEETH USING SUCH SYSTEMS. Ultradent Products, Inc.
-

- 1420827** 5-CNAC AS ORAL DELIVERY AGENT FOR PARATHYROID HORMONE FRAGMENTS. Novartis AG
- 1421076** HYDRATES OF OPTIONALLY SUBSTITUTED 2-(2-PYRIDINYLMETHYLTHIO-1H-BENZIMIDAZOLES AND METHOD FOR THE PRODUCTION THEREOF. Grünenthal GmbH
- 1421143** INK COMPOSITION COMPRISING OPTICALLY VARIABLE PIGMENTS, USE OF THE COMPOSITION, OPTICALLY VARIABLE PIGMENT AND METHOD OF TREATING SAID PIGMENT. SICPA HOLDING SA
- 1421259** INTEGRATED MICRO COMBINED HEAT AND POWER SYSTEM. Energetix Genlec Limited
- 1421710** Methods, mobile communications device and base station in a communication system having shared communications resources. QUALCOMM Incorporated
- 1423750** ELECTROPHORETIC DISPLAY WITH DUAL-MODE SWITCHING. E Ink California, LLC
- 1433548** METHOD AND SYSTEM FOR MONITORING A MOLDING MACHINE. SINTOKOGIO, LTD.
- 1461537** DECK SCREWS SUITABLE FOR USE WITH COMPOSITE LUMBER. OMG, Inc.
- 1507054** Electrical vehicle door handle plug connection system. TE Connectivity Germany GmbH
- 1507074** Engine power generator and vehicle. Yamaha Hatsudoki Kabushiki Kaisha
- 1507404** Tone-dependent halftoning with optimized lookup tables. SICPA HOLDING SA
- 1511223** WAP XML EXTENSION TO DEFINE VPN CONNECTIONS. Microsoft Technology Licensing, LLC
- 1513057** Software-aided storage device emulation in a physical storage device. Microsoft Technology Licensing, LLC
- 1514523** Catheter. BIOTRONIK SE & Co. KG
- 1516522** Method and device for determining the amount of tailings return. CLAAS Selbstfahrende Erntemaschinen GmbH
- 1517395** Electrical installation device with a radio frequency antenna. Merten GmbH
- 1523952** Dental restoration piece. Ivoclar Vivadent AG
- 1525617** THERMAL MANAGEMENT SYSTEM HAVING POROUS FLUID TRANSFER ELEMENT. RAYTHEON COMPANY
- 1527184** METHOD OF PLASTID TRANSFORMATION IN ASTERACEAE, VECTOR FOR USE THEREIN AND PLANTS THUS OBTAINED. Rijk Zwaan Zaadteelt en Zaadhandel B.V.
- 1528453** Interoperable credential gathering and access modularity. Microsoft Technology Licensing, LLC
-



- 
- 1528474** Shadow page tables for address translation control. Microsoft Technology Licensing, LLC
- 1529195** ISOLATED PLANAR GYROSCOPE WITH INTERNAL RADIAL SENSING AND ACTUATION. The Boeing Company
- 1529395** SHADING CORRECTION METHOD FOR IMAGE READING MEANS. QUALCOMM Incorporated
- 1530862** COMPUTER NETWORK PROTECTION. Nederlandse Organisatie voor toegepast- natuurwetenschappelijk onderzoek TNO
- 1532401** COOKING COMPARTMENT DOOR OF A COOKING OVEN HAVING A PYROLYSIS FUNCTION. BSH Hausgeräte GmbH
- 1534708** PURINE DERIVATIVES AND THEIR USE AS ANTIPROLIFERATIVE AGENTS. Cyclacel Limited
- 1535076** POLYPEPTIDE BIOMARKERS FOR DIAGNOSING ALZHEIMER'S DISEASE. Bayer Schering Pharma Aktiengesellschaft
- 1536796** N-ARYL PIPERIDINE SUBSTITUTED BIPHENYLCARBOXAMIDES AS INHIBITORS OF APOLIPOPROTEIN B SECRETION. Janssen Pharmaceutica NV
- 1536931** STAMPING SYSTEM FOR MANUFACTURING HIGH TOLERANCE PARTS. Nanoprecision Products, Inc.
- 1537709** METHOD FOR GENERATING A DIGITAL I/Q SIGNAL IN A TDMA TRANSMITTER AND CORRESPONDING MODULATOR. NXP B.V.
- 1539366** A DISPENSER. GLAXO GROUP LIMITED
- 1539835** SUPPORTED POLYMERISATION CATALYSTS. Ineos Sales (UK) Limited
- 1540222** PLASTICS PIPE. Radius Systems Limited
- 1540486** SYSTEM AND METHOD FOR CONTROLLING ACCESS TO AN ELECTRONIC MESSAGE RECIPIENT. Reflexion Network Solutions, Inc.
- 1540654** DISC WITH TEMPORARY DISC DEFINITION STRUCTURE (TDDS) AND TEMPORARY DEFECT LIST (TDFL), AND APPARATUS FOR MANAGING DEFECT IN THE SAME. Samsung Electronics Co., Ltd.
- 1540750** DIFFUSION BARRIER COATINGS HAVING GRADED COMPOSITIONS AND DEVICES INCORPORATING THE SAME. BOE Technology Group Co., Ltd.
- 1542658** PHARMACEUTICAL COMPOSITIONS COMPRISING AN OPIOID ANALGESIC. EURO-CELTIQUE S.A.
- 1544199** NITROGENOUS CONDENSED-RING COMPOUND AND USE THEREOF AS HIV INTEGRASE INHIBITOR. Japan Tobacco Inc.
- 1545207** TREATMENT OF HOLOCRINE GLAND DYSFUNCTION WITH CLOSTRIDIA NEUROTOXINS. Sanders, Ira
-

- 1545342** A GUIDE BLOCK FOR USE IN SURGERY. Depuy International Limited
- 1546286** A FIRE RETARDANT AND A METHOD FOR PRODUCTION THEREOF.  
Deflamo AB
- 1548370** REFLECTION TYPE OIL BURNING APPLIANCE. TOYOTOMI CO., LTD.
- 1583098** REPRODUCTION DEVICE, REPRODUCTION METHOD, REPRODUCTION PROGRAM, AND RECORDING MEDIUM. Sony Corporation
- 1588716** Peg-urate oxidase conjugates and use thereof. Mountain View Pharmaceuticals, Inc.; Duke University
- 1596870** HIGH DOSE IBANDRONATE FORMULATION. F. Hoffmann-La Roche AG
- 1619191** Process for producing optically active 2-[6-(hydroxymethyl)-1,3-dioxan-4-yl] acetic acid derivatives. Kaneka Corporation
- 1624539** Wire containment cap. Panduit Corporation Inc.
- 1626129** Machine for digging a trench and forming a wall in said trench. Soletanche Freyssinet
- 1627982** Connecting section. Allfast AG; VWS-Befestigungstechnik GmbH
- 1628438** System and method for updating a sleep ID of a mobile station in a BWA communication system. Samsung Electronics Co., Ltd.
- 1630583** Zoom lens system and camera using the same. CANON KABUSHIKI KAISHA
- 1633084** Method for selecting services provided by different network service providers.  
ALCATEL LUCENT
- 1635623** Plasma spray device and method for controlling the status of a plasma spray device. Oerlikon Metco AG, Wohlen
- 1637219** Catalyst structure and method of fischer-tropsch synthesis. BATTELLE MEMORIAL INSTITUTE
- 1637511** Pyrotechnical actuator with a charge comprising an oxidizer and a dissociated reducing agent. PYROALLIANCE
- 1643669** RADIO COMMUNICATION APPARATUS AND PILOT SYMBOL TRANSMISSION METHOD. Godo Kaisha IP Bridge 1
- 1649675** PROCEDURE AND SYSTEM FOR PROCESSING IDENTIFICATION NUMBERS IN TELECOMMUNICATION NETWORKS. Telecom Italia S.p.A.
- 1650683** SEARCH OF SIMILAR FEATURES REPRESENTING OBJECTS IN A LARGE REFERENCE DATABASE. Institut National de l'Audiovisuel - INA
- 1651135** PASSIVE HEMOSTATIC SHEATH VALVE. TriVascular, Inc.
- 1651660** METHODS AND COMPOSITIONS FOR TARGETED CLEAVAGE AND RECOMBINATION. Sangamo Therapeutics, Inc.
- 1653844** PRION-SPECIFIC PEPTIDE REAGENTS. Novartis Vaccines and Diagnostics, Inc.
- 1654172** BAG COMPRISING DUAL ELASTIC AND NON-ELASTIC SLIDING TIE
-

- AND PRODUCTION METHOD THEREOF. Sphere
- 1654353** TUMOUR CELL LINES NM-F9 (DSM ACC2606) AND NM-D4 (DSM ACC2605), USES THEREOF. Glycotope GmbH
- 1654566** ENHANCED ELECTRO-ACTIVE LENS SYSTEM. E-Vision LLC
- 1654630** ALPHANUMERIC KEYBOARD WITH IN- BUILT FUNCTIONAL COMPONENT. Creative Technology Ltd.
- 1656081** ACELLULAR MATRIX IMPLANTS FOR TREATMENT OF ARTICULAR CARTILAGE, BONE OR OSTEOCHONDRAL DEFECTS AND INJURIES AND A METHOD FOR USE THEREOF. Histogenics Corporation
- 1656147** DIFLUNISAL FOR THE TREATMENT OF CANCER. Kreutz, Werner
- 1656325** APPARATUS FOR SYNTHESIZING AN OXIDANT. Ferrate Treatment Technologies, LLC.
- 1656424** FLAKE FOR COVERT SECURITY APPLICATIONS. Viavi Solutions Inc.
- 1656782** METHOD AND APPARATUS FOR TIME-BASED CHARGING FOR BROADCAST-MULTICAST SERVICES (BCMCS) IN A WIRELESS COMMUNICATION SYSTEM. QUALCOMM INCORPORATED
- 1657477** SPACER EXPANDER. Kabushiki Kaisha Riken
- 1658073** PHARMACEUTICAL PRODUCT FOR INJECTION. Takeda GmbH
- 1658217** A METHOD FOR LOGGING THE PERFORMANCE OF A VEHICLE SUSPENSION SYSTEM. Tramanco Pty Ltd
- 1658245** OPTICAL FIBER COATINGS. IGM Malta Limited
- 1658291** SUBSTITUTED 8-HETEROARYL XANTHINES. Dogwood Pharmaceuticals, Inc.
- 1658320** COMPOSITION USEFUL AS AN ADHESIVE FOR INSTALLING VEHICLE WINDOWS. Dow Global Technologies LLC
- 1658349** USE OF TRANSITION METAL COMPLEXES COMPRISING CARBENE LIGANDS SERVING AS EMITTERS FOR ORGANIC LIGHT-EMITTING DIODES (OLEDs) AND OLEDs. UDC Ireland Limited
- 1658706** INTERNET BASE STATION WITH A TELEPHONE LINE. Intel Corporation
- 1659967** METHOD AND DEVICE FOR VISUALLY SUPPORTING AN ELECTROPHYSIOLOGY CATHETER APPLICATION IN THE HEART. Biosense Webster, Inc.
- 1659998** Device for treating nighttime breathing problems. NELISSEN, Jozef Frans
- 1660034** MANUFACTURE OF LONG TERM DRUG DELIVERY DEVICES WITH POLYURETHANE BASED POLYMERS. Indevus Pharmaceuticals, Inc.
- 1660207** DEVICE FOR SEPARATING A FOAM INTO A LIQUID AND A GASEOUS PORTION. Heinrich Frings GmbH & Co. KG
- 1660284** METHOD AND APPARATUS FOR CROWNING BAND SAW PULLEY
-

WHEELS. Hansen, Søren Lujá

- 1660377** DISPENSING DEVICE COMPRISING A SEALING PLUG AND LOCKING RING WITH BAYONET CONNECTING MEANS. Sulzer Mixpac AG
- 1660895** ANECHOIC CHAMBER WITH DIRECT OBSERVATION OF THE ELECTROMAGNETIC BEHAVIOUR OF A TOOL TO BE STUDIED.  
Microwave Vision
- 1661285** OUTER CODING METHODS FOR BROADCAST/MULTICAST CONTENT AND RELATED APPARATUS. QUALCOMM INCORPORATED
- 1661294** MANAGING MULTIPLE CRYPTOGRAPHIC PERIODS IN A SINGLE CRYPTOGRAPHIC GROUP. Motorola Solutions, Inc.
- 1661938** READILY BONDABLE POLYESTER FILM FOR OPTICAL USE AND LAMINATED POLYESTER FILM FOR OPTICAL USE. TOYOBO CO., LTD.
- 1662050** Reinforced soil works and facing elements for construction thereof. Terre Armée Internationale
- 1663172** POLYSACCHARIDE DOUBLE-LAYER MICROCAPSULES AS CARRIERS FOR BIOLOGICALLY ACTIVE SUBSTANCE ORAL ADMINISTRATION.  
Fondazione Carlo e Dirce Callerio Onlus
- 1664799** APPARATUS FOR PROCESSING A FLUID SAMPLE. THE SECRETARY OF STATE FOR DEFENCE
- 1667638** ENHANCED EFFICACY ANTIPERSPIRANT COMPOSITIONS CONTAINING STRONTIUM. The Gillette Company LLC
- 1669098** Device for supplying respiratory gas, humidifying device, respiratory gas tube, and connecting device therefor. ResMed R&D Germany GmbH
- 1669684** INDOOR UNIT OF AIR CONDITIONER AND METHOD OF MANUFACTURING THE INDOOR UNIT. DAIKIN INDUSTRIES, LTD.
- 1673313** COATED ARTICLE WITH SILICON NITRIDE INCLUSIVE LAYER ADJACENT GLASS. GUARDIAN INDUSTRIES CORP.; Guardian Europe S.à.r.l.
- 1678506** SEALER FOR TEST SAMPLE DEVICES. bioMerieux, Inc.
- 1683924** Sealing device for sealing of joints. Agrar Chemie AG
- 1706476** NOVEL ACYLALKYLISETHIONATE ESTERS AND APPLICATIONS IN CONSUMER PRODUCTS. Huntsman Petrochemical LLC
- 1710372** Helical connector. Ollis, William Henry
- 1714942** Ceramic powder, methods to prepare the ceramic powder and a method to prepare a ceramic. Seoul National University R&DB Foundation
- 1736167** Extracts obtained from cell line cultures from *Syringa vulgaris* IRB-SV25/B (DMS:16857), their preparation and use. I.R.B. Istituto Di Ricerche Biotechnologiche S.r.l.
-

- 
- 1749650** Loose media compacting apparatus including a charging chamber with retractable walls. IPS Balers Manufacturing, Inc.
- 1750216** Apparatus and method for pre-planning and simulating the treatment of atrial fibrillation. Biosense Webster, Inc.
- 1750231** Method for automatically determining the number of persons and/or objects staying within a gate. Scheidt & Bachmann Gesellschaft mit beschränkter Haftung
- 1754618** Device for controlling opening and closing of tarpaulins for covering the bodies of industrial, agricultural and similar vehicles. Trakover Srl
- 1754926** Apparatus stand. LG Electronics Inc.
- 1755095** Method and apparatus for damping vibrations in a motion simulation platform. CAE Inc.
- 1757832** Tapered roller bearing of a viscous fluid clutch. AB SKF; MAHLE Behr GmbH & Co. KG
- 1770799** Organic electrophosphorescence device. OSRAM OLED GmbH
- 1774334** USE OF MAGNETIC MATERIAL TO DIRECT ISOLATION OF COMPOUNDS AND FRACTIONATION OF MULTIPART SAMPLES. Becton, Dickinson and Company
- 1776154** INSERTION HEAD FOR MEDICAL OR PHARMACEUTICAL APPLICATIONS. F. Hoffmann-La Roche AG
- 1776308** APPARATUS FOR DISPENSING CHILLED BEVERAGES. Scottish & Newcastle PLC
- 1776687** DRIVING SIMULATOR FOR USE IN READY TO DRIVE OR NON READY TO DRIVE MOTOR VEHICLES. Rudolph, Stephan
- 1776799** ENHANCED SECURITY USING SERVICE PROVIDER AUTHENTICATION. Google Technology Holdings LLC
- 1778183** LIQUID PAROXETINE COMPOSITIONS. Synthon B.V.
- 1778663** (-)-EPIGALLOLLOCATECHIN GALLATE DERIVATIVES FOR INHIBITING PROTEASOME. The Hong Kong Polytechnic University; WAYNE STATE UNIVERSITY; UNIVERSITY OF SOUTH FLORIDA; McGill University
- 1778668** METHOD FOR THE PRODUCTION OF DIHYDROPTERIDINONES. Boehringer Ingelheim International GmbH
- 1778720** ANTIMICROBIAL PEPTIDES COMPRISING AN ARGININE- AND/OR LYSINE-CONTAINING MOTIF. Novabiotics Limited
- 1779671** METHOD AND APPARATUS FOR INTERPOLATING A REFERENCE PIXEL IN AN ANNULAR IMAGE AND ENCODING/DECODING AN ANNULAR IMAGE. Industry Academic Cooperation Foundation Kyunghee University; Samsung Electronics Co., Ltd.
-

- 1779679** RADIO-FREQUENCY-DEVICE PERSONALIZATION. First Data Corporation
- 1779697** COMMUNICATION SYSTEM. Vringo Infrastructure Inc.
- 1781061** Method for communication of several sensor nodes in a sensor network. ista International GmbH
- 1781186** VENTRICULAR PARTITIONING DEVICE. Cardiokinetix, Inc.
- 1781700** RAGE FUSION PROTEINS AND METHODS OF USE. vTv Therapeutics LLC
- 1781820** A BIO-ELECTRONIC DEVICE. Magnomics, SA
- 1782140** FIELD DEVICE MANAGEMENT. Tac AB
- 1782331** USER INPUT DEVICE INCLUDING USER INPUT EVALUATION AND METHOD. Giesecke+Devrient Mobile Security GmbH
- 1782642** ROUTING OF MEDIA COMMUNICATION SERVICE. Nokia Technologies Oy
- 1784068** Flat display device and cooling apparatus for the same. LG Electronics Inc.
- 1784203** REFOLDING TRANSFORMING GROWTH FACTOR BETA FAMILY PROTEINS. Biogen MA Inc.
- 1784646** Method for identifying metastasis in motile cells. ALBERT EINSTEIN COLLEGE OF MEDICINE OF YESHIVA UNIVERSITY
- 1784818** TEMPORAL ENVELOPE SHAPING FOR SPATIAL AUDIO CODING USING FREQUENCY DOMAIN WIENER FILTERING. DOLBY LABORATORIES LICENSING CORPORATION
- 1784876** ORGANIC/INORGANIC COMPOSITE POROUS FILM AND ELECTROCHEMICAL DEVICE PREPARED THEREBY. LG Chem, Ltd.; Toray Industries, Inc.
- 1784992** METHODS FOR IDENTIFYING MESSAGES AND COMMUNICATING WITH USERS OF A MULTIMODAL MESSAGE SERVICE. Kirusa, Inc.
- 1786235** LOUDSPEAKER SYSTEM. Panasonic Intellectual Property Management Co., Ltd.
- 1786297** ROMAN STYLE SHADE. Teh Yor Co., Ltd.
- 1786472** ANTISENSE MODULATION OF APOLIPOPROTEIN B EXPRESSION. Kastle Therapeutics, LLC
- 1789119** CONVERSION OF NITROGEN DIOXIDE (NO<sub>2</sub>) TO NITRIC OXIDE (NO). Geno LLC
- 1789454** FRACTIONATION OF CHARGED POLYSACCHARIDE. Lipoxen Technologies Limited
- 1789921** IMAGE PROCESSING METHOD AND COMPUTER SOFTWARE FOR IMAGE PROCESSING. Apical Limited
- 1790347** High dose ibandronate formulation. F. Hoffmann-La Roche AG
- 1791584** INHALER FOR POWDERED, PARTICULARLY MEDICAL SUBSTANCES.
-

Sanofi SA

- 1791916** STABILIZED KAOLIN SLURRY. Imerys Pigments, Inc.
- 1792514** USER EQUIPMENT AND BASE STATION FOR DOWNLINK SIGNALING FOR HIGH SPEED UPLINK PACKET ACCESS. Google Technology Holdings LLC
- 1793686** NON-PROTEIN FOAMING COMPOSITIONS AND METHODS OF MAKING THE SAME. FrieslandCampina Nederland B.V.; Intercontinental Great Brands LLC
- 1795249** Air filtration arrangements having fluted media constructions. DONALDSON COMPANY, INC.
- 1796651** TRANSDERMAL DRUG DELIVERY DEVICE WITH TRANSLUCENT PROTECTIVE FILM. 3M Innovative Properties Company
- 1800247** EDGE ADAPTIVE IMAGE EXPANSION AND ENHANCEMENT SYSTEM AND METHOD. QUALCOMM Incorporated
- 1801989** Asymmetric adaptive modulation in a wireless communication system. WI-LAN, Inc.
- 1804901** SYSTEM FOR SUSTAINED BAROREFLEX STIMULATION. CARDIAC PACEMAKERS, INC.
- 1811322** Terahertz or infrared filter using shape resonance. Seoul National University Industry Foundation
- 1814939** ULTRAVIOLET LIGHT (UV) ABSORBING COMPOUNDS AND COMPOSITIONS CONTAINING UV ABSORBING COMPOUNDS. Milliken & Company
- 1818008** Noninvasive measurements of chemical substances. Abreu, Marcio Marc Aurelio Martins
- 1843761** EXTENDED RELEASE FORMULATION OF LEVETIRACETAM. Alembic Limited
- 1878441** Complement pathway inhibitors binding to C5 and C5a without preventing the formation of C5b. Genentech, Inc.
- 1884204** Pneumatically powered surgical cutting and fastening instrument with manually operated retraction apparatus. ETHICON ENDO-SURGERY, INC.
- 1884205** Pneumatically powered surgical cutting and fastening instrument with replaceable power sources. ETHICON ENDO-SURGERY, INC.
- 1884757** Method and apparatus for monitoring fluid pressure. Air Products and Chemicals, Inc.
- 1886637** System for controlling RF output during tissue sealing. Covidien AG
- 1887172** Device for locking a piece of furniture and furniture. Grass GmbH
- 1887235** Mechanical assembly retention element. Nylok Corporation
-

- 1887355** COATING METHOD FOR A MICROFLUIDIC SYSTEM.. F.HOFFMANN-LA ROCHE AG
- 1887356** Automatic analyzer. Hitachi High-Technologies Corporation
- 1887713** Apparatus and method for transmit diversity and beamforming in a wireless network. Samsung Electronics Co., Ltd.
- 1887820** Apparatus and method to identify the location of a radio cell. Orange
- 1890058** Oil seal for valve stem. Carl Freudenberg KG
- 1890126** Method and device for cutting and collecting dissected specimens. Molecular Machines & Industries AG
- 1892364** A panel system equipped with a seal. Lumon Invest Oy
- 1892625** Finer grained operating system scheduling. Red Bend Software
- 1893726** PROCESS FOR INCREASING PRODUCTION OF LIGHT OLEFIN HYDROCARBON FROM HYDROCARBON FEEDSTOCK. SK Innovation Co., Ltd.
- 1894562** Pharmaceutical compositions comprising an opioid antagonist. EURO-CELTIQUE S.A.
- 1895394** FILE SYSTEM HAVING VARIABLE LOGICAL STORAGE BLOCK SIZE. 2236008 Ontario Inc.
- 1897917** Use of particulate emulsifiers in anti-adhesive coating masses containing siloxane. Evonik Degussa GmbH
- 1898054** GAS TURBINE. Ansaldo Energia IP UK Limited
- 1903093** A LUBRICATING OIL COMPOSITION. Infineum International Limited
- 1905984** Components for a gas turbine engine. Industrial Turbine Company (UK) Limited
- 1909641** CALIBRATION OF IN VIVO BLOOD PRESSURE SENSORS. Datascope Corporation
- 1910741** MODULAR FLUIDISED BED REACTOR. General Electric Technology GmbH
- 1911018** SOUNDPROOFING LAYER AND SOUNDPROOFING COMPLEX INCORPORATING THE SAME. Faurecia Intérieurs Mornac
- 1911242** IPSEC CONNECTION OVER NAT GATEWAY. Cisco Technology, Inc.
- 1911257** VOIP EMERGENCY CALL SUPPORT. QUALCOMM INCORPORATED
- 1912739** SUPPORTED GOLD CATALYST. Südzucker Aktiengesellschaft Mannheim/Ochsenfurt
- 1913073** OIL-IN-WATER EMULSIONS. Henkel AG & Co. KGaA
- 1913383** METER HAVING MULTI-LEVEL USER INTERFACE. Ascensia Diabetes Care Holdings AG
- 1913468** METHOD AND SYSTEM FOR PROVIDING AN ENERGY EFFICIENT REGISTER FILE. Qualcomm Incorporated
- 1913475** MANAGEMENT OF A GRID COMPUTING NETWORK USING
-



- INDEPENDENT SOFTWARE INSTALLATION PACKAGES. Techila Technologies OY
- 1913698** EFFICIENT CODING AND DECODING OF TRANSFORM BLOCKS. Microsoft Technology Licensing, LLC
- 1913749** A MULTICARRIER MODULATION WITH ENHANCED FREQUENCY CODING. Nokia Technologies Oy
- 1915062** PUFFED GRAIN FLAKE AND METHOD OF PREPARATION. GENERAL MILLS, INC.
- 1915461** COMPOSITION AND METHOD FOR DETERMINATION OF CK19 EXPRESSION. Dx4U GmbH
- 1915480** DRYING DUCT ASSEMBLY AND WASHING MACHINE HAVING THE SAME. LG Electronics Inc.
- 1915582** AIRCRAFT TARGET DISPLAY. BAE Systems PLC
- 1915606** SAMPLE HOLDER FOR DYNAMIC LIGHT SCATTERING. Canadian Blood Services
- 1915729** APPARATUS, METHOD AND SYSTEM FOR INTERACTING WITH A USER AND METHOD FOR INCLUDING A USER IN A CLOSED USER GROUP. S + M Schaltgeräte-Service + Vertriebsgesellschaft mbH
- 1915770** METHOD AND DEVICE FOR THE MASS SPECTROMETRIC DETECTION OF COMPOUNDS. Helmholtz Zentrum München Deutsches Forschungszentrum für Gesundheit und Umwelt (GmbH)
- 1915814** AN ELECTROMECHANICAL GENERATOR FOR CONVERTING MECHANICAL VIBRATIONAL ENERGY INTO ELECTRICAL ENERGY. Perpetuum Ltd.
- 1915886** METHOD, COMMUNICATION ARRANGEMENT AND COMMUNICATION DEVICE FOR TRANSFERRING INFORMATION. Siemens Aktiengesellschaft
- 1916835** CALL CONNECTING DEVICE, CALL CONNECTING METHOD AND CALL CONNECTING PROGRAM. Comsquare Co., Ltd.
- 1916997** STABLE AQUEOUS PROTEIN PHARMACEUTICAL FORMULATIONS AND THEIR PREPARATION. Amgen Inc.
- 1917074** COOLING COMPOUNDS. Givaudan SA
- 1917428** METHOD OF OPERATING A POWER PLANT WHICH COMPRISES A PRESSURE STORAGE VESSEL. General Electric Technology GmbH
- 1917511** TEST BED AND METHOD FOR AERODYNAMIC MEASUREMENTS ON AN OBJECT. Bayerische Motoren Werke Aktiengesellschaft
- 1917689** COMPLIANT SEAL STRUCTURES FOR PROTECTED ACTIVE METAL ANODES. Polyplus Battery Company
-

- 1919503** IDENTIFICATION AND ENGINEERING OF ANTIBODIES WITH VARIANT FC REGIONS AND METHODS OF USING SAME. MacroGenics, Inc.
- 1919542** INHALATION THERAPY DEVICE COMPRISING AN AMPOULE FOR HOLDING A DRUG TO BE ATOMIZED. PARI Pharma GmbH
- 1919609** METHOD FOR PRODUCING WATER-ABSORBING POLYMER PARTICLES. BASF SE
- 1920161** VACUUM TURBOMOLECULAR PUMP. Leybold GmbH
- 1921112** POLYMERIC MATERIAL AND ELEMENT EMPLOYING THE SAME. Sumitomo Chemical Company, Limited
- 1922023** IMPLANT FOR TREATING MYOCARDIAL RUPTURE. Cardiokinetix, Inc.
- 1922109** NEURAL ELECTRODE. Enteromedics Inc.
- 1922111** APPARATUS FOR NEURAL ELECTRODE TREATMENT. ReShape Lifesciences Inc.
- 1922200** ARTICLE OF FOOTWEAR HAVING MIDSOLE WITH SUPPORT PILLARS AND METHOD OF MANUFACTURING SAME. NIKE Innovate C.V.
- 1922409** HERBICIDE TOLERANT COTTON PLANTS AND METHODS FOR IDENTIFYING SAME. Bayer CropScience NV
- 1922634** HIGH LEVEL GRAPHICS STREAM. Microsoft Technology Licensing, LLC
- 1922695** METHOD OF, AND APPARATUS AND COMPUTER SOFTWARE FOR, PERFORMING IMAGE PROCESSING. GE Healthcare Limited
- 1922749** A METHOD FOR FABRICATING A SEMICONDUCTOR DEVICE. INTERNATIONAL RECTIFIER CORPORATION
- 1922766** III-NITRIDE LIGHT-EMITTING DEVICE WITH DOUBLE HETEROSTRUCTURE LIGHT-EMITTING REGION. Philips Lumileds Lighting Company, LLC.
- 1924412** HAIR REMOVING DEVICE. Braun GmbH
- 1924434** LID STOCK USING ORIENTED FLUOROPOLYMERS. Honeywell International Inc.
- 1924519** METHOD AND CALL SYSTEM. Kone Corporation
- 1924849** ELECTROCHEMICAL THERMODYNAMIC MEASUREMENT SYSTEM. California Institute of Technology; Centre National de la Recherche Scientifique
- 1924850** INSPECTION SYSTEM AND ASSOCIATED METHOD. The Boeing Company
- 1924878** OPTICAL ELEMENT AND METHOD OF PRODUCTION. Laczik, Zsolt John
- 1925083** CAPACITIVE PROXIMITY SWITCH AND HOUSEHOLD APPLIANCE EQUIPPED THEREWITH. BSH Hausgeräte GmbH
- 1927201** UNDERWATER ACOUSTIC POSITIONING SYSTEM AND METHOD.
-

TrackServer, Inc.

- 1928453** COMPOSITIONS AND THEIR USE FOR THE PREVENTION AND TREATMENT OF KIDNEY DISEASE. Hill's Pet Nutrition, Inc.
- 1928475** ANTIVIRAL PHOSPHORAMIDATES OF 4'-C-AZIDO-SUBSTITUTED PRONUCLEOTIDES. Riboscience LLC
- 1931288** APPARATUS FOR PREVENTING OR REDUCING THE SEVERITY OF HEMORRHOIDS. StetriX, Inc.
- 1934381** MEDICAL DEVICES HAVING ALLOY COMPOSITIONS. Boston Scientific Limited, an Irish company
- 1934405** SANITARY INSTALLATION PART. Neoperl GmbH
- 1944030** Agent for treatment of schizophrenia. Sumitomo Dainippon Pharma Co., Ltd.
- 1945191** METAL COORDINATED COMPOSITIONS. Synthomics, Inc.
- 1945209** BROAD SPECTRUM ANTIBACTERIAL COMPOUNDS. United States Government As Represented By The Secretary of The United States Army And The U.S. Army Medical Research & Materiel Command
- 1953556** Polypeptide biomarkers for diagnosing alzheimer's disease. Bayer Schering Pharma Aktiengesellschaft
- 1954130** METHODS COMPRISING TERPENE MIXTURES COMPRISING THYMOL AND CITRAL. EDEN RESEARCH PLC
- 1954223** STENT CONFIGURATIONS. Boston Scientific Scimed, Inc.
- 1988455** Difference extraction between two versions of data-tables containing intra-references. Red Bend Ltd.
- 2003961** BAIT DISPENSING SYSTEM. R C Solutions Inc.
- 2020211** System for treatment of a spine. Zimmer Spine, Inc.
- 2020605** System and method for high resolution sensing of capacitance or other reactive impedance change in a large dynamic range. Pepperl & Fuchs, Inc.
- 2020795** Method and network equipment for maintaining a media stream through another network equipment while suspending an associated media stream connection in a communication network. Nokia Solutions and Networks Oy
- 2022490** Colouring composition. Kao Germany GmbH
- 2022801** Nanoparticles made of amorphous cellulose. Dow Global Technologies LLC
- 2023500** A device and associated method for measuring crosstalk. ALCATEL LUCENT
- 2025253** Protective clothing with a mounting device. Ziegler Arbeitsschutz GmbH
- 2025318** Two-phase composition for conditioning hair. Kao Germany GmbH
- 2025327** Bleaching/highlighting composition. Kao Germany GmbH
- 2025330** Cleansing composition. Kao Germany GmbH
- 2025739** Use of a lubrication composition. Afton Chemical Corporation
- 2025804** An Iron. Spectrum Brands (UK) Limited
-

- 2025902** Method of mitigating undesired gas turbine transient response using event based actions. GENERAL ELECTRIC COMPANY
- 2026223** Data collection system having EIR terminal interface node. Hand Held Products, Inc.
- 2026355** System and method for implementing a memory defect map. Dell Products, L.P.
- 2026509** Transport unit. ALSTOM Transport Technologies
- 2026578** Mobile communication terminal having touch screen and method of controlling the same. LG Electronics Inc.
- 2027879** Safety device with removable trigger mechanism. KPR U.S., LLC
- 2028323** Actuation plate for built-in cisterns. GROHEDAL Sanitärsysteme GmbH
- 2028350** Combustion engine system. Eberspächer Climate Control Systems GmbH & Co. KG
- 2028669** Key switch, input device, contact pattern. Nintendo Co., Ltd.
- 2028675** Switching device having welding tabs for securing sensing structures to the device housing. Honeywell International Inc.
- 2028732** Device for creating a section of cable and subsequent preparation of a section of cable at its front and rear ends. Schäfer Werkzeug- und Sondermaschinenbau GmbH
- 2028745** Motor of spring charging device in air circuit breaker. LS Industrial Systems Co., Ltd
- 2031158** One-piece lock striker. Kiekert Aktiengesellschaft
- 2031179** Bracket for mounting a guiding rail. Hunter Douglas Industries B.V.
- 2031249** Capacity control device for screw compressor. Hitachi-Johnson Controls Air Conditioning, Inc.
- 2031777** Light emitter controlling. LANTIQ BETEILIGUNGS-GMBH & CO. KG
- 2034706** Mobile terminal and method for displaying the type of a message. LG Electronics Inc.
- 2039741** Lubricant Formulations for Improved Catalyst Performance. Afton Chemical Corporation
- 2046376** VACCINES AND METHODS FOR CONTROLLING ADIPOSITY. The Scripps Research Institute
- 2046786** POLYMORPHIC FORMS OF ZIPRASIDONE SULFATES. KRKA
- 2047609** HIGH AVAILABILITY NETWORK SYSTEM. Siemens S.A.S.
- 2047614** WIRELESS SUPPORT FOR PORTABLE MEDIA PLAYER DEVICES. Microsoft Technology Licensing, LLC
- 2047633** A METHOD AND APPLIANCE FOR USING A DYNAMIC RESPONSE TIME TO DETERMINE RESPONSIVENESS OF NETWORK SERVICES. Citrix Systems, Inc.
-

- 
- 2047657** METHOD AND APPARATUS FOR COLLECTING USER ACTIVITY IN A TELECOMMUNICATIONS SYSTEM. Telefonaktiebolaget LM Ericsson (publ)
- 2048977** SMOKING ARTICLES ENHANCED TO DELIVER ADDITIVES INCORPORATED WITHIN ELECTROSPUN MICROFIBERS AND NANOFIBERS, AND RELATED METHODS. Philip Morris Products S.A.
- 2048997** TOWEL. Sohn, Dae Up
- 2049046** ASYMMETRIC DESIGN OF HIP SOCKET FOR REDUCING SOCKET DEFORMATIONS. CeramTec GmbH
- 2049054** NASAL AND ORAL PATIENT INTERFACE. RIC Investments, LLC.
- 2049121** COMPOSITIONS FOR PROMOTING ACTIVITY OF ANTI-CANCER THERAPIES. Oncology Research International Limited
- 2049164** METHOD FOR TREATING SKIN WOUNDS. Université Paris Descartes; Assistance Publique - Hôpitaux de Paris; Inserm
- 2049360** RECLINER MECHANISM. Adient Luxembourg Holding S.à r.l.
- 2049365** ILLUMINATION DEVICE. 3M Innovative Properties Company
- 2049449** A POROUS SOLID BODY WITH BIMODAL PORE SIZE DISTRIBUTION AND A METHOD FOR THE PRODUCTION THEREOF. Biocer-Entwicklungs-GmbH
- 2049491** HETEROARYL COMPOUNDS USEFUL AS INHIBITORS OF E1 ACTIVATING ENZYMES. MILLENNIUM PHARMACEUTICALS, INC.
- 2049586** IMPROVED THERMAL CONDUCTIVE POLYMERIC PTC COMPOSITIONS. SABIC Global Technologies B.V.
- 2049933** SUB-DIFFRACTION LIMIT IMAGE RESOLUTION AND OTHER IMAGING TECHNIQUES. The President and Fellows of Harvard College
- 2050177** INDUCTIVE POWER SYSTEM. MBDA UK LIMITED
- 2050790** BIODEGRADABLE RESIN COMPOSITION AND MOLDED BODY THEREOF. Kaneka Corporation
- 2051605** APPARATUS FOR DISPLAYING GOODS, COMPRISING A PROFILE AND MOUNTS WHICH CAN BE SUSPENDED THEREIN. Visplay International AG
- 2051611** DEVICE FOR PREPARING A HOT OR COLD DRINK BY BREWING A PRODUCT IN WATER. Stamm, Francis; Mo, Cui Wei
- 2051659** METHOD FOR THE PRODUCTION OF A POROUS, CERAMIC SURFACE LAYER. METOXIT AG
- 2051694** PHARMACEUTICAL COMPOSITIONS COMPRISING ARIPIPRAZOLE. Nobel İlaç Sanayii Ve Ticaret A.S.
- 2052013** METHOD FOR JOINING PLASTIC PARTS OF ELECTRIC OR ELECTRONIC COMPONENTS. Phoenix Contact GmbH & Co. KG
-

- 2052054** METHODS OF MAKING ANTIOXIDANTS. Lanxess Solutions US Inc.
- 2052197** METHOD AND APPARATUS FOR LIQUEFYING A HYDROCARBON-CONTAINING FEED STREAM. Shell Internationale Research Maatschappij B.V.
- 2052228** METHOD AND APPARATUS FOR DISPENSING POWDER SAMPLES. CORN Products Development Inc.
- 2052242** DETERMINATION OF THE SPECIFIC HEAT CAPACITY. Mettler-Toledo GmbH
- 2052266** DEVICE AND METHOD FOR MEASURING THE FREQUENCY OF A SIGNAL CODED MODULATED CARRIER SIGNAL. NXP B.V.
- 2052344** BI-PROCESSOR ARCHITECTURE FOR SECURE SYSTEMS. Inside Secure
- 2052522** INTERWORKING WITH MEDIA FALLBACK. Nokia Technologies Oy
- 2052539** METHOD OF REVOCATION OF SECURITY MODULES USED TO SECURE BROADCAST MESSAGES. Nagravision S.A.
- 2052572** STREAMING QUALITY OPTIMIZATION. Nokia Technologies Oy
- 2052634** ARTIFICIAL HAIR AND WIG USING THE SAME. Aderans Company Limited
- 2052754** Disposable absorber having an adapter and a lip seal. Drägerwerk AG & Co. KGaA
- 2053520** INFORMATION PROCESSING DEVICE, INFORMATION PROCESSING METHOD, COMPUTER PROGRAM, AND SEMICONDUCTOR DEVICE FOR DOWNLOADING DIGITAL CONTENT. Sony Corporation; Sony Interactive Entertainment Inc.
- 2053993** SHOULDER PROSTHESIS. Plustek S.R.L.
- 2054021** HAIR DYE COMPRISING RICE GERM OIL AND PROTEIN HYDROLYZATE. Henkel AG & Co. KGaA
- 2054109** INSERTION DEVICE FOR INSERTION HEADS, IN PARTICULAR FOR INFUSION SETS. F. Hoffmann-La Roche AG
- 2054127** CONCENTRIC AND ECCENTRIC EXERCISING AND TRAINING APPARATUS AND METHOD. Center Of Rotational Exercise, Inc.
- 2054433** DIURETIC AND NATRIURETIC POLYPEPTIDES. MAYO FOUNDATION FOR MEDICAL EDUCATION AND RESEARCH
- 2054454** REACTIVE NEAR INFRARED ABSORBING POLYMERIC PARTICLES, METHODS OF PREPARATION AND USES THEREOF. American Dye Source, Inc.
- 2054666** CATALYTIC BURNER WITH A SPECIAL TIP AND FLASK EQUIPPED OF SUCH A BURNER. PRODUITS BERGER
- 2054874** VARIABLE-RESOLUTION PROCESSING OF FRAME-BASED DATA.
-

Digital Rise Technology Co., Ltd.

- 2055093** ADAPTIVE SPATIAL IMAGE FILTER FOR FILTERING IMAGE INFORMATION. QUALCOMM Incorporated
- 2055114** INTELLIGENT NETWORK ACQUISITION FOR WIRELESS CLIENTS. Cisco Technology, Inc.
- 2055954** DOUBLE GEAR PUMP. IHI Corporation
- 2056025** HOT WATER CIRCULATION HEATING SYSTEM FOR HEATING BUILDING BY HOT WATER CIRCULATION. Daikin Industries, Ltd.
- 2056106** SUGAR CHAIN-CAPTURING SUBSTANCE AND USE THEREOF. Sumitomo Bakelite Company, Ltd.; National University Corporation Hokkaido University
- 2056737** COLORING OF CERAMICS BY ATMOSPHERE CONTROL. Ivoclar Vivadent AG
- 2056756** SOLID DRESSING FOR TREATING WOUNDED TISSUE. STB, LTD
- 2056811** MODAFINIL-BASED TREATMENT FOR PREMATURE EJACULATION. Neurohealing Pharmaceuticals, Inc.
- 2056863** TREATMENT OF OCULAR DISEASES. Marlyn Nutraceuticals, Inc.
- 2056888** MOP COVER WITH FASTENING MEANS MADE OF PLASTIC. Carl Freudenberg KG
- 2056891** AN INTERPENETRATING NETWORK OF PVA HYDROGEL COOL-COMPRESSION BANDAGE. ATS Biotech, Inc.
- 2057166** PROCESS AND INTERMEDIATES FOR THE SYNTHESIS OF (3-ALKYL-5-PIPERIDIN-1-YL-3,3A-DIHYDROPYRAZOLO[1,5-A]PYRIMIDIN-7-YL)-AMINO DERIVATIVES. Merck Sharp & Dohme Corp.
- 2057277** SUBSTRATES, DEVICES, AND METHODS FOR CELLULAR ASSAYS. Platypus Technologies, LLC
- 2057292** MELAMINE COMPOUNDS AND THEIR USE FOR PRODUCING LEATHER. Stahl International B.V.
- 2057347** DISTRIBUTED INTELLIGENCE FOR ENHANCED MONITORING AND CONTROL OF OILFIELD PROCESSES. M-I LLC
- 2057434** ALTERNATING PLATE HEADERLESS HEAT EXCHANGERS. Dana Canada Corporation
- 2057516** GENERALIZED KINEMATICS SYSTEM. HURCO COMPANIES INC.
- 2057536** METHODS AND APPARATUS FOR REDUCING LOOKUPS IN A BRANCH TARGET ADDRESS CACHE. QUALCOMM Incorporated
- 2057760** TRANSFORM-DOMAIN FEEDBACK SIGNALING FOR MIMO COMMUNICATION. Koninklijke Philips N.V.
- 2057806** MESSAGE EXCHANGE SCHEME FOR ASYNCHRONOUS WIRELESS

COMMUNICATION. QUALCOMM Incorporated

- 2059179** ULTRASONIC WOUND TREATMENT APPARATUS. Misonix Incorporated
- 2059738** REFRIGERATOR WITH A PRESSURE-COMPENSATION VALVE. BSH Hausgeräte GmbH
- 2059956** PROGRAMMABLE RESISTANCE MEMORY DEVICES AND SYSTEMS USING THE SAME AND METHODS OF FORMING THE SAME. Micron Technology, Inc.
- 2059989** A SYNCHRONOUS MACHINE AND A PROCESS OF MANUFACTURING A SYNCHRONOUS MACHINE. Whirlpool S.A.
- 2060049** REAL-TIME ELECTRONIC SIGNATURE VALIDATION SYSTEMS AND METHODS. The Boeing Company
- 2060085** SENDING KEEP-ALIVE MESSAGES ON BEHALF OF ANOTHER DEVICE VIA KEEP-ALIVE PROXY. Nokia Technologies Oy
- 2060156** PROCEDURE FOR ADDRESSING REMOTELY-LOCATED RADIO FREQUENCY COMPONENTS OF A CONTROL SYSTEM. Lutron Electronics Co., Inc.
- 2061545** MEDICAL INSTRUMENT. ETHICON ENDO-SURGERY, INC.
- 2061923** WASHING MACHINE. LG Electronics Inc.
- 2061930** A FORMING SECTION OF A PAPER MAKING MACHINE AND A METHOD OF ASSEMBLING A FORMING SECTION OF A PAPER MAKING MACHINE. Valmet Aktiebolag
- 2062384** RETRANSMISSION-BASED STREAM REPAIR AND STREAM JOIN. Cisco Technology, Inc.
- 2063045** Floor covering. Schulte, Guido
- 2064101** REMOTE CONTROL BRAKE SYSTEM AND MANIFOLD. New York Air Brake LLC
- 2064251** BIOMIMETIC COMPOUNDS AND SYNTHETIC METHODS THEREFOR. Kensey Nash Corporation
- 2064384** ELECTRIC IRON. BSH Hausgeräte GmbH
- 2064715** HIGH VOLTAGE TRANSFORMER WITH A SHIELD RING, A SHIELD RING AND A METHOD OF MANUFACTURE SAME. ABB Schweiz AG
- 2064932** HEATSINK ATTACHMENT MECHANISM. Cisco Technology, Inc.
- 2066475** CHARGER SCANNER SYSTEM. USNR/Kockums Cancar Company
- 2067371** SUBSCRIBER IDENTITY MODULE HAVING A PLURALITY OF SUBSCRIBER IDENTITIES. Intel Corporation
- 2067379** LAMP OPERATING DEVICE FOR OPERATING ONE OR MULTIPLE LIGHT SOURCES, AND METHOD FOR OPERATING A LAMP OPERATING DEVICE. Zumtobel Lighting GmbH
-



- 
- 2069254** A METHOD OF INERTISING THE IMPURITIES IN PHOSPHOGYPSUM.  
ACC Limited
- 2069776** METHOD AND APPARATUS FOR ANALYZING SOLUTIONS. Hach  
Company
- 2069954** METHOD, SYSTEM, AND COMPUTER PROGRAM PRODUCT FOR  
INHIBITING MESSAGE TRAFFIC TO AN UNAVAILABLE TERMINATING  
SIP SERVER. Tekelec, Inc.
- 2071558** DISPLAY APPARATUS AND DISPLAY METHOD. Sony Corporation
- 2074862** DETERMINATION OF AN INTERVAL FOR SEARCHING FOR A BASE  
STATION FOR COMMUNICATION USING ONE OF A PLURALITY OF  
COMMUNICATION LINES. Canon Kabushiki Kaisha
- 2076050** Motion estimation apparatus and method for moving picture coding. Electronics  
and Telecommunications Research Institute
- 2079826** PROCESS FOR PRODUCING FLAVOR ENHANCER FOR BEER AND  
BEER-LIKE BEVERAGE AND BEVERAGE OF A ROAST MATERIAL.  
Takasago International Corporation
- 2086423** SURGICAL STAPLES HAVING ATTACHED DRIVERS AND STAPLING  
INSTRUMENTS FOR DEPLOYING THE SAME. Ethicon Endo-Surgery, Inc.
- 2089915** WAVELENGTH-CONVERTED LIGHT-EMITTING DEVICE WITH  
UNIFORM EMISSION. Panasonic Intellectual Property Management Co., Ltd.
- 2094047** Monitor period for asynchronous wireless communication. Qualcomm  
Incorporated
- 2094891** ELASTIC SPUNBONDED NONWOVEN AND ELASTIC NONWOVEN  
FABRIC COMPRISING THE SAME. ALBIS INTERNATIONAL S.R.L.
- 2097697** REFRIGERATOR. LG Electronics Inc.
- 2098551** PROCESS FOR PRODUCING POLYLACTIC ACID BLOCK COPOLYMER.  
Musashino Chemical Laboratory, Ltd.
- 2101651** SEGMENTED TISSUE-TO-TISSUE ANCHORING DEVICE. Avent, Inc.
- 2101866** VISUAL PROSTHETIC APPARATUS FOR RETINAL STIMULATION.  
Second Sight Medical Products, Inc.
- 2102970** MOTOR-DRIVEN FAN UNIT WITH IMPROVED COOLING. Valeo Systèmes  
Thermiques
- 2103065** METHOD AND SYSTEM FOR DATA TRANSMISSION WITH DECREASED  
BIT ERROR RATE. Eagle Technology, LLC
- 2106063** SERVICE BANDWIDTH CONFIGURING METHOD AND NETWORK  
MANAGEMENT SYSTEM. ZTE Corporation
- 2134611** SYSTEM AND METHOD FOR PREPARING A BEVERAGE. Koninklijke  
Douwe Egberts N.V.
-

- 2136580** A method for the management of short message delivery in a mobile communication system. Alcatel Lucent
- 2144451** UPDATING METHOD AND DEVICE FOR Iu INTERFACE PARALLEL MULTIMEDIA BROADCAST MULTICAST SERVICE SESSION. ZTE Corporation
- 2145417** Efficient Reporting of Channel Quality Information. NVIDIA Technology UK Limited
- 2149609** Improved process for the production of daptomycin. OLON S.p.A.
- 2151170** Support device for a joint. adidas International Marketing B.V.
- 2151581** Dual-powered airflow generator. Lennox Industries Inc.
- 2151634** Tube mounting for floor heatings. RAM CHEVILLES ET FIXATIONS
- 2151931** Wavelength division multiplexer and regenerative repeating method in wavelength division multiplexing network. NEC Corporation
- 2151965** Method and device for data processing and communication system comprising such device. ADTRAN GmbH
- 2151982** Telephony services. Metaswitch Networks Ltd
- 2151985** Print processing device and control method thereof. CANON KABUSHIKI KAISHA
- 2153711** Height of cut adjustment mechanism. Deere & Company
- 2153857** Device for artificial ventilation. Löwenstein Medical Technology S.A.
- 2153890** Fluid bed reactor. CORN Products Development Inc.
- 2154150** GENES FOR BIOSYNTHESIS OF TETRACYCLINE COMPOUNDS AND USES THEREOF. Univerza v Ljubljani
- 2154305** Use of a mineral fibre insulation product as thermal and/or acoustic insulation. Knauf Insulation
- 2154333** Airfoil and corresponding turbine assembly. United Technologies Corporation
- 2154446** Mounting system for continuous-flow heater. BSH Hausgeräte GmbH
- 2154624** Method for securing a transaction conducted using a programmable portable device. Inside Secure
- 2154632** Character recognition device, program and method. Omron Corporation
- 2154834** Routing device having integrated MPLS-Aware firewall. Juniper Networks, Inc.
- 2154880** Image sensing apparatus, image processing method and image processing program. CANON KABUSHIKI KAISHA
- 2156593** METHOD FOR DETECTING SECURITY ERROR IN MOBILE TELECOMMUNICATIONS SYSTEM AND DEVICE OF MOBILE TELECOMMUNICATIONS. LG Electronics Inc.
- 2156723** Electric and/or electronic safety system. Amazonen-Werke H. Dreyer GmbH & Co. KG
-

- 
- 2156726** Latch mechanism. Deere & Company
- 2156800** Electrosurgical instrument including a sensor. Covidien LP
- 2156979** Linear drive, ride and method for operating a linear drive. Intrasy GmbH  
Innovative Transportsysteme
- 2156997** A VEHICLE SAFETY SYSTEM. Autoliv Development AB
- 2157070** METHOD FOR RETARDING THE SETTING OF THE SURFACE OF A  
CONCRETE USING ESTER-BASED CONCRETE SURFACE RETARDERS.  
GCP Applied Technologies Inc.
- 2157200** Al-Mg-Si aluminum alloy extruded product exhibiting excellent fatigue strength  
and impact fracture resistance. Aisin Keikinzoku Co., Ltd.; Sumitomo Chemical  
Company, Limited
- 2157269** Holder system for wall and supplemental elements. JOSKO Fenster und Türen  
GmbH
- 2157345** Regulating valve. Carel Industries S.r.l.
- 2157378** Indoor embedded type heat source machine. Hitachi-Johnson Controls Air  
Conditioning, Inc.
- 2157398** Countermeasure launcher. Krauss-Maffei Wegmann GmbH & Co. KG
- 2157453** Method for generation of comprehensive airspace weather condition display from  
shared aircraft sensor data. Honeywell International Inc.
- 2157494** Information processing unit. Panasonic Corporation
- 2157621** Heterojunction solar cell and process for manufacturing the same. Shin-Etsu  
Chemical Co., Ltd.
- 2157667** Method for supplying power over a coaxial cable and corresponding connector.  
ALCATEL LUCENT
- 2158923** Peg-urate oxidase conjugates and use thereof. Duke University; Mountain View  
Pharmaceuticals, Inc.
- 2158991** Mitre saw with traction function. Metabowerke GmbH
- 2159218** Curing agent for low temperature cure applications. Evonik Degussa GmbH
- 2159272** INK COMPOSITION AND INKJET RECORDING METHOD. Fujifilm  
Corporation
- 2159551** Configurable gauge apparatus including a flat panel display and a mechanical  
pointer. Delphi Technologies, Inc.
- 2159582** Methods and Apparatus for Monitoring Average Current and Input Power in an  
Electronically Commutated Motor. Regal-Beloit Corporation
- 2159667** Computer system and method for energy-efficient operation of a computer  
system. Fujitsu Technology Solutions Intellectual Property GmbH
- 2159875** An array antenna comprising means to suppress the coupling effect in the  
dielectric gaps between its radiator elements without establishing galvanic
-

contacts. THALES NEDERLAND B.V.

- 2159876** An array antenna comprising means to establish galvanic contacts between its radiator elements while allowing for their thermal expansion. THALES NEDERLAND B.V.
- 2161120** Method for inspecting multiple-layer tablets in a rotary press. Fette GmbH
- 2161456** Motor pump with rotation speed adjustment. WILO SE
- 2161508** Cooker. LG Electronics Inc.
- 2161696** MULTIMEDIA ASSEMBLY WITH A PROGRAMMABLE UNIVERSAL REMOTE CONTROL AND METHOD FOR PROGRAMMING A REMOTE CONTROL. FM Marketing GmbH
- 2163324** Method of producing metal closed-section member. Mazda Motor Corporation
- 2163766** Scroll compressor. Hitachi-Johnson Controls Air Conditioning, Inc.
- 2164052** System and method for storing at least one valuable document. Wincor Nixdorf International GmbH
- 2164117** Light-Emitting Device with Improved Electrode Structures. Kabushiki Kaisha Toshiba
- 2164237** Communication method and system for displaying a link to a service according to an expression spoken in the course of a conversation. ALCATEL LUCENT
- 2165889** DEVICE FOR FIXING A BAND. A. RAYMOND et Cie
- 2166263** Stabplate connections. GE Oil & Gas UK Limited
- 2166462** Caching query results with binary decision diagrams (bdds). FUJITSU LIMITED
- 2166594** Secondary battery. Samsung SDI Co., Ltd.
- 2169048** System and method for cultivating cells. Hitachi, Ltd.
- 2169503** Multi-vehicle high intensity perception. Deere & Company
- 2172645** Starting device. Robert Bosch GmbH
- 2173020** Winding cores with stratification motion. ATOP S.p.A.
- 2173201** BEAD FEEDER AND BEAD FEEDING METHOD. Philip Morris Products S.A.
- 2173514** METHOD OF JOINING DISSIMILAR METALLIC MATERIALS. Nissan Motor Co., Ltd.
- 2173795** COATED POLYESTER FILM. DUPONT TEIJIN FILMS U.S. LIMITED PARTNERSHIP
- 2174290** REAL-TIME WAVELET TRANSFORM METHOD AND ASSOCIATED SYSTEM FOR MULTI-DIMENSIONAL DATA. Centre National de la Recherche Scientifique (C.N.R.S.)
- 2174300** UNSUPERVISED EXTRACTION OF COMPONENTS BY FEATURE ANALYSIS FOR A PARTS-BASED DESIGN OPTIMISATION OF PHYSICAL BODIES. Honda Research Institute Europe GmbH
-

- 
- 2174315** INTEGRATED METHOD OF DETECTING AN IMAGE DEFECT IN A LIQUID CRYSTAL SCREEN. THALES
- 2174647** GEL COMPOSITION FOR EXTERNAL APPLICATION CONTAINING AN ADENINE COMPOUND. Otsuka Pharmaceutical Co., Ltd.
- 2175240** Combined route calculation. Robert Bosch GmbH
- 2175868** BONE MARROW DERIVED CELLS FOR USE IN TREATING NEURAL DEGENERATION. SanBio, Inc.
- 2175959** FILTER ARRANGEMENT. Mann + Hummel GmbH
- 2176001** STIRRER MILL. NETZSCH-Feinmahltechnik GmbH
- 2176012** METHOD AND SYSTEM FOR UPSETTING HOLLOW MEMBERS. Magna International Inc.
- 2176035** NAILER DEVICE. Chervon (HK) Limited
- 2176097** FILTER ELEMENT AND FILTER ARRANGEMENT. MANN+HUMMEL GmbH
- 2176162** MODIFICATION OF CARBONACEOUS MATERIALS. Solvay Specialty Polymers Italy S.p.A.
- 2176164** Method for solubilising graphite. Centre National de la Recherche Scientifique (C.N.R.S.)
- 2176313** HIGH SOLIDS EPOXY COATING COMPOSITION. Akzo Nobel Coatings International B.V.
- 2176503** ROTATING AND RECIPROCATING SWIVEL APPARATUS AND METHOD. Mako Rentals, Inc.
- 2176638** FLUID PROBE. Microvisk Limited
- 2176641** DEVICE AND METHOD FOR CALIBRATING A SENSOR SYSTEM. Giesecke+Devrient Currency Technology GmbH
- 2176642** METHOD FOR CALIBRATING A SENSOR SYSTEM. Giesecke+Devrient Currency Technology GmbH
- 2176657** MEASUREMENT OF SEQUESTERED CARBON. Ocean Nourishment Corporation Pty Limited
- 2176933** ARC FAULT CIRCUIT INTERRUPTER AND METHOD OF DETECTING AND INTERRUPTING A RESISTIVE SERIES ARC OF A POWER CIRCUIT. Eaton Corporation
- 2176939** INCREASING THE Q FACTOR OF A RESONATOR. Qualcomm Incorporated
- 2177018** STORING AND PRESENTING ANCILLARY INFORMATION OBTAINED FROM SCANNED PRINTS. Kodak Alaris Inc.
- 2177029** OBJECT DETECTION USING VIDEO INPUT COMBINED WITH TILT ANGLE INFORMATION. Sony Interactive Entertainment Inc.
- 2177050** EARPHONE DEVICE WITH EAR CANAL PROTRUSION. GN Audio A/S
-

- 2177060** IMPROVEMENTS IN, OR RELATING TO, E-UTRAN AND HANDOVER.  
Telefonaktiebolaget LM Ericsson (publ)
- 2177068** ADAPTATION OF TRANSMIT POWER BASED ON CHANNEL QUALITY.  
QUALCOMM Incorporated
- 2177074** METHOD AND APPARATUS FOR EARLY IMS SECURITY.  
Telefonaktiebolaget LM Ericsson (publ)
- 2177092** PULSED PLASMA DEVICE. Plasma Surgical Investments Limited
- 2177513** PHENYLACETIC ACID COMPOUND. ONO Pharmaceutical Co., Ltd.
- 2177858** COOLER USING COOLING MEDIUM. TOYOTA JIDOSHA KABUSHIKI  
KAISHA
- 2177892** MATERIAL INFORMATION PROVIDING METHOD FOR OUTGOING  
STEEL PLATE, AND MATERIAL INFORMATION USING METHOD.  
Nippon Steel & Sumitomo Metal Corporation
- 2177896** OPTICAL IMAGE MEASURING DEVICE. Kabushiki Kaisha TOPCON
- 2177998** COMMUNICATION DEVICE AND ITS EVENT PROCESSING METHOD.  
Panasonic Intellectual Property Management Co., Ltd.
- 2178115** SEMICONDUCTOR INTEGRATED CIRCUIT. Fujitsu Limited
- 2178199** DIRECT POWER CONVERTER. Daikin Industries, Ltd.
- 2178416** GAMING DEVICE WITH MODULAR GAMING TABLE COMPONENTS.  
IGT
- 2178497** COSMETIC COMPOSITIONS WITH CHITOSAN AND SILICONE  
ELASTOMERS. Henkel AG & Co. KGaA
- 2178498** METHOD FOR TREATING DAMAGED HAIR. The Procter & Gamble  
Company
- 2178641** METHODS AND DEVICES FOR CORRELATED, MULTI-PARAMETER  
SINGLE CELL MEASUREMENTS AND RECOVERY OF REMNANT  
BIOLOGICAL MATERIAL. Progenity, Inc.
- 2178759** LOCKING DEVICE DESIGNED TO BE ARRANGED IN A JUNCTION  
REGION OF A NACELLE. Safran Nacelles
- 2178832** PROCESS FOR MAKING SUBSTITUTED TRITHIOCARBONATE  
DERIVATIVES. The Lubrizol Corporation
- 2178880** PROCESS FOR THE SYNTHESIS OF E1 ACTIVATING ENZYME  
INHIBITORS. Millennium Pharmaceuticals, Inc.
- 2178966** CARBOXYMETHYL CELLULOSE-BASED FILMS, EDIBLE FOOD  
CASINGS MADE THEREFROM, AND METHOD OF USING SAME.  
Monosol, LLC
- 2179134** SYSTEM AND METHOD FOR STRESS FIELD BASED WELLBORE  
STEERING. GeoMechanics International
-

- 
- 2179252** METHOD AND APPARATUS FOR NAVIGATING ON NON-LINEARLY SCALED MAPS. InfoGation Corporation
- 2179367** STREAM RESERVATION PROTOCOL FOR BRIDGED NETWORKS. Cisco Technology, Inc.
- 2179399** METHOD TO ANIMATE ON A COMPUTER SCREEN A VIRTUAL PEN WHICH WRITES AND DRAWS. Pirchio, Mario
- 2179524** PEAK TO AVERAGE POWER RATIO REDUCTION. LG Electronics Inc.
- 2179537** METHOD AND APPARATUS FOR COMMUNICATION, AND METHOD AND APPARATUS FOR CONTROLLING COMMUNICATION. Samsung Electronics Co., Ltd.
- 2180033** METHOD FOR PRODUCTION OF A FLAME RETARDANT AGENT. Sony Corporation
- 2180070** PROCESS FOR MANUFACTURING HIGH-STRENGTH HOT-ROLLED STEEL SHEET. JFE Steel Corporation
- 2180217** CONTROL VALVE. Eagle Industry Co., Ltd.
- 2180627** A COMMUNICATION METHOD AND EQUIPMENT FOR CONTROLLING THE DATA TRANSMISSION AND RETRANSMISSION OF MOBILE STATION AT THE BASE STATION. Nokia Technologies Oy
- 2180629** Method for acquiring resource region information for PHICH and method of receiving PDCCH. LG Electronics Inc.
- 2180792** STEAMED CAKE DONUT. PURATOS N.V.
- 2181138** SILYL-FUNCTIONAL LINEAR PREPOLYMERS PRODUCTION AND USE THEREOF. Henkel AG & Co. KGaA
- 2181144** POLYIMIDE FILM. Kolon Industries, Inc.
- 2181367** METHOD FOR OPERATING A FIELD DEVICE FOR PROCESS AUTOMATION HAVING AT LEAST TWO MEASUREMENT CHANNELS AND FIELD DEVICE FOR PROCESS AUTOMATION HAVING AT LEAST TWO MEASUREMENT CHANNELS AND SUITABLE FOR PERFORMING SAID METHOD. Endress + Hauser Conducta GmbH + Co. KG
- 2181434** METHOD FOR THE THREE-DIMENSIONAL RECONSTRUCTION OF A SINGULAR OBJECT USING CROSS-SECTIONAL IMAGING (SCANNER, MRI). L'école Supérieure Nationale d'Arts et Métiers (ENSAM); Centre National de la Recherche Scientifique
- 2181501** RECEIVER WITH ADAPTIVE EQUALIZER. ARRIS Enterprises LLC
- 2181561** TRANSMISSION OF THE AGGREGATE MAXIMUM BIT RATE FROM THE MME TO THE E-NODE B AND MOBILE TERMINAL. Sony Corporation
- 2181573** COMPOSITE MATERIAL. QinetiQ Limited
-

- 2181693** Non-aqueous liquid tooth whitening composition. Colgate-Palmolive Company
- 2182295** Radiating surface assembly. Frenger Systemen BV Heiz- und Kühltechnik GmbH
- 2182299** Air conditioning device. Frenger Systemen BV Heiz- und Kühltechnik GmbH
- 2182429** PROTECTION PANEL HAVING TOUCH INPUT FUNCTION OF ANALOG RESISTANCE FILM METHOD. NISSHA PRINTING CO., LTD.
- 2182810** COMPOSITIONS AND METHODS FOR TREATMENT AND PREVENTION OF OSTEOARTHRITIS. Nucitec S.A. de C.V.
- 2182913** STABLE LIQUID CLEANSING COMPOSITIONS CONTAINING FATTY ACYL ISETHIONATE SURFACTANT. Unilever PLC, A Company Registered in England and Wales under Company no. 41424; Unilever N.V.
- 2183053** AEROSOLS. Unilever PLC
- 2183268** METHODS FOR PURIFICATION OF ALPHA-1-ANTITRYPSIN AND APOLIPOPROTEIN A-I. CSL Behring GmbH
- 2183298** PROCESS FOR FORMING MULTILAYER COATING WITH RADIATION CURABLE POLYENE/POLYTHIOL COATING COMPOSITIONS. PPG Industries Ohio, Inc.
- 2183402** METHOD FOR PRODUCING A COATED STEEL STRIP FOR PRODUCING TAYLORED BLANKS SUITABLE FOR THERMOMECHANICAL SHAPING, STRIP THUS PRODUCED, AND USE OF SUCH A COATED STRIP. Muhr und Bender KG
- 2183420** AREA BONDED NONWOVEN FABRIC FROM SINGLE POLYMER SYSTEM. Fiberweb, LLC
- 2183487** TURBO ENGINE AND METHOD FOR PRODUCING SUCH A TURBO ENGINE. MAN Diesel & Turbo SE
- 2183520** IMPROVED ORIFICE HOLDER CONSTRUCTION. Burner Systems International, Inc.
- 2183565** SENSING DEVICE ARRANGEMENT FOR FUEL STORAGE TANKS. OPW Fuel Management Systems, Inc.
- 2183569** FAST-SCANNING SPM AND METHOD OF OPERATING SAME. Bruker Nano, Inc.
- 2183588** DIRECT DETECTION OF MARKERS IN PRESSURIZED HYDROCARBON FLUIDS. Authentix, Inc.
- 2183614** DISTANCE ESTIMATION. Nokia Technologies Oy
- 2183793** NICKEL TIN BONDING SYSTEM WITH BARRIER LAYER FOR SEMICONDUCTOR WAFERS AND DEVICES. Cree, Inc.
- 2183817** ANTENNA CALIBRATION. BAE Systems PLC
- 2183869** RESOURCE SCHEDULING ENABLING PARTIALLY-CONSTRAINED
-



- RETRANSMISSION. Nokia Technologies Oy
- 2184867** Wireless communication device with improved synchronous timing detection of different base stations. Fujitsu Limited
- 2185063** METHOD AND SYSTEM FOR MONITORING SLEEPINESS. University College Dublin, National University of Ireland Dublin
- 2185072** MOTION DETECTION IN MEDICAL SYSTEMS. Koninklijke Philips N.V.
- 2185125** COSMETIC EMULSIFIER COMBINATION. Beiersdorf AG
- 2185403** VEHICLE SEATING SYSTEM AND CABIN. Johnson Controls Technology Company
- 2185706** IMPROVED GENE SILENCING METHODS. Commonwealth Scientific and Industrial Research Organisation
- 2185765** CLOTHES TREATING APPARATUS. LG Electronics Inc.
- 2185766** CONTROLLING METHOD OF CLOTHES TREATING APPARATUS. LG Electronics Inc.
- 2185798** A METHOD OF OPERATION OF AN ELECTRIC TURBOCOMPOUNDING SYSTEM. BOWMAN POWER GROUP LIMITED
- 2185869** A MULTI-STAGE AXIAL COMBUSTION SYSTEM. Siemens Energy, Inc.
- 2185910** APPARATUS AND METHOD FOR MEASURING AUGMENTED OSMOTIC PRESSURE IN A REFERENCE CAVITY. Lifecare AS
- 2185913** PHOTOACOUSTIC JOULEMETER UTILIZING BEAM DEFLECTION TECHNIQUE. University Of Texas Health Science Center At San Antonio; The Henry M. Jackson Foundation for the Advancement of Military Medicine, Inc.
- 2185933** MATRIPTASE PROTEIN AND USES THEREOF. Oxford Biotherapeutics Ltd.; E. R. Squibb & Sons, L.L.C.
- 2186144** MULTI-FREQUENCY ANTENNA WITH ACTIVE ELEMENTS. Ethertronics, Inc.
- 2186232** SPECTRUM SHARING. Nokia Technologies Oy
- 2186294** END-USER NOTIFICATION UPDATES OF SESSION EVENTS. Telia Company AB
- 2186365** METHOD AND APPARATUS OF CONTROLLING TRANSMIT POWER IN A FEMTO NODE. QUALCOMM Incorporated
- 2187155** REFRIGERATOR FOR CONTAINER. Daikin Industries, Ltd.
- 2187167** SYSTEM COMPRISING A MAGNETIC COMPASS FOR ESTABLISHING DEVIATIONS IN REAL TIME. Universidad Del Pais Vasco - Euskal Herriko Unibertsitatea
- 2187468** NEGATIVE ELECTRODE FOR LITHIUM SECONDARY BATTERY, METHOD FOR PRODUCING CARBON-BASED NEGATIVE ELECTRODE ACTIVE MATERIAL, LITHIUM SECONDARY BATTERY AND USE
-

THEREOF. Showa Denko K.K.

- 2187490** SPARK PLUG. NGK SPARK PLUG CO., LTD.
- 2187583** METHODS FOR DOWNLINK SIGNALING FOR HIGH SPEED UPLINK PACKET ACCESS. Google Technology Holdings LLC
- 2187690** System and method for updating a sleep id of a mobile station in a bwa communication system. Samsung Electronics Co., Ltd.
- 2187771** AN ARTICLE OF FOOTWEAR. C & J CLARK INTERNATIONAL LIMITED
- 2187834** TOOTH MODELING. Align Technology, Inc.
- 2187873** ABUSE RESISTANT DRUGS, METHOD OF USE AND METHOD OF MAKING. Abuse Deterrent Pharmaceutical LLC
- 2187959** DIAGNOSTIC METHOD AND KIT. Fusion Antibodies Limited; Enfer Technology Limited
- 2188105** DRIVE ARRANGEMENT IN A DEGASSING EXTRUDER. Evonik Röhm GmbH
- 2188163** METHOD FOR THE DYNAMIC TORQUE AND/OR ROTATIONAL COORDINATION OF DRIVE UNITS OF A HYBRID DRIVE AND CORRESPONDING DEVICE. Robert Bosch GmbH
- 2188226** METHOD AND FLUID COMPOSITIONS FOR PRODUCING OPTICALLY CLEAR PHOTOCATALYTIC COATINGS. Photocat A/S
- 2188247** METHOD FOR PRODUCING ISOCYANATES. BASF SE
- 2188268** SUBSTITUTED PIPERAZINYL PYRAZINES AND PYRIDINES AS 5-HT7 RECEPTOR ANTAGONISTS. Eli Lilly & Company
- 2188313** HUMAN C-FMS ANTIGEN BINDING PROTEINS. Amgen, Inc.
- 2188413** METHOD FOR ATOMIC LAYER DEPOSITION USING AN ATMOSPHERIC PRESSURE GLOW DISCHARGE PLASMA. Fujifilm Manufacturing Europe B.V.
- 2188433** CLOTHES TREATING APPARATUS. LG Electronics Inc.
- 2188570** BURNER APPARATUS. MAXON CORPORATION
- 2188701** MULTI-TOUCH SENSING THROUGH FRUSTRATED TOTAL INTERNAL REFLECTION. Microsoft Technology Licensing, LLC
- 2188965** COMMUNICATION DIVERSION WITH A GLOBALLY ROUTABLE USER AGENT UNIFORM RESOURCE IDENTIFIER SYSTEM AND METHOD. BlackBerry Limited
- 2189032** METHOD AND APPARATUS FOR SUPPORTING PAGING OVER AN HS-DSCH IN CELL\_PCH AND URA\_PCH STATES. InterDigital Patent Holdings, Inc.
- 2189387** PLASTIC CAP HAVING A POURING PROTRUSION. JAPAN CROWN CORK CO., LTD.; Kikkoman Corporation
-

- 
- 2189471** FOXM1 PEPTIDE AND MEDICINAL AGENT COMPRISING THE SAME.  
Oncotherapy Science, Inc.
- 2189962** METHOD FOR REAL-TIME SIMULATION OF A HELICOPTER ROTOR.  
Indra Sistemas, S.A.
- 2190116** VARIABLE ATTENUATOR. Yantel Corporation
- 2190435** TREATMENT OF SLEEP DISORDERS. Evotec International GmbH
- 2190454** DELIVERY SYSTEMS FOR SOLUBILISING WATER-INSOLUBLE  
PHARMACEUTICAL ACTIVE INGREDIENTS. EMS S.A.
- 2190612** METHOD AND DEVICE FOR THE ELECTROMAGNETIC STIRRING OF  
ELECTRICALLY CONDUCTIVE FLUIDS. Helmholtz-Zentrum Dresden -  
Rossendorf e.V.; Technische Universität Dresden
- 2190936** USE OF BISMUTH SUBNITRATE IN ELECTRO-DIPPING PAINTS. BASF  
Coatings GmbH
- 2191056** METHOD OF CONTROLLING A CLOTHES TREATING APPARATUS. LG  
Electronics Inc.
- 2191095** MAGNETIC HAMMER. Flexidrill Limited
- 2191380** MULTI-PROCESSOR SYSTEM HAVING AT LEAST ONE PROCESSOR  
THAT COMPRISES A DYNAMICALLY RECONFIGURABLE  
INSTRUCTION SET. Micron Technology, Inc.
- 2191425** METHOD AND SYSTEM FOR SIP BASED DYNAMIC ADVERTISEMENT  
OF PRESENCE INFORMATION. Samsung Electronics Co., Ltd.
- 2191538** DEPLOYABLE LENS ANTENNA. BAE Systems PLC
- 2192018** Device and method for monitoring a magnetic brake on rail vehicles. Schaltbau  
GmbH
- 2192637** BATTERY AND METHOD OF PRODUCING THE SAME. TOYOTA  
JIDOSHA KABUSHIKI KAISHA
- 2192924** SACCHARIDE-CONTAINING PROTEIN CONJUGATES AND USES  
THEREOF. Protalix Ltd.
- 2193340** CANCELLING LOW FREQUENCY ERRORS IN MEMS SYSTEMS. Robert  
Bosch GmbH
- 2194194** CONSTRUCTION MACHINE. Kobelco Construction Machinery Co., Ltd.
- 2195863** METHOD FOR PRODUCING AN OPTOELECTRONIC COMPONENT AND  
OPTOELECTRONIC COMPONENT. Osram Opto Semiconductors GmbH
- 2196642** EXHAUST PURIFICATION SYSTEM FOR CONSTRUCTION MACHINE.  
Hitachi Construction Machinery Co., Ltd.
- 2197830** METHOD FOR PRODUCING AMINES FROM SUGAR ALCOHOLS. BASF  
SE
- 2198119** FLUID CONTROL APPARATUS AND METHODS FOR PRODUCTION
-

- AND INJECTION WELLS. ExxonMobil Upstream Research Company
- 2200112** CELL ASSEMBLY. Kabushiki Kaisha Toshiba
- 2200477** PERSONAL CARE IMPLEMENTS HAVING A DISPLAY. Colgate-Palmolive Company
- 2201794** ENHANCING AUDIO WITH REMIXING CAPABILITY. LG Electronics Inc.
- 2202901** COMMUNICATION DEVICE AND RECEPTION QUALITY INFORMATION GENERATION METHOD. Sharp Kabushiki Kaisha
- 2203646** RADIAL COMPRESSOR WHEEL. Siemens Aktiengesellschaft
- 2204492** FELT FOR PAPERMAKING. Ichikawa Co., Ltd.
- 2206923** INTERNAL GEAR PUMP ROTOR, AND INTERNAL GEAR PUMP USING THE ROTOR. Sumitomo Electric Sintered Alloy, Ltd.
- 2207463** INFLATABLE CHAMBER-POT. Goloo ApS
- 2208163** METHOD FOR CONTROLLING A PRE-CHARGE PROCESS AND A RESPECTIVE INTEGRATED CIRCUIT. NXP B.V.
- 2208195** VIDEO BLENDING USING TIME-AVERAGED COLOR KEYS. QUALCOMM Incorporated
- 2208388** METHOD AND SYSTEM FOR IP NETWORK ADMISSION CONTROL. Telefonaktiebolaget LM Ericsson (publ)
- 2209250** Pilot arrangement for mobile radio communication systems. FUJITSU LIMITED
- 2209879** EXTRACTIONS OF FIXED OIL AND THYMOQUINONE RICH FRACTIONS (TQRF). Universiti Putra Malaysia
- 2211506** METHOD FOR NOTIFYING UE ABOUT UPDATING OF SYSTEM INFORMATION IN LONG TERM EVOLUTION PLANNING SYSTEM. ZTE Corporation
- 2212398** DEVICE CONTAINING NON-BLINKING QUANTUM DOTS. Nanoco Technologies Limited
- 2213617** HYDROGEN GAS GENERATING MEMBER AND HYDROGEN GAS PRODUCING METHOD THEREFOR. Japan Science and Technology Agency
- 2217326** EXTERNAL CONTROLLER FOR AN IMPLANTABLE MEDICAL DEVICE SYSTEM WITH COUPLEABLE EXTERNAL CHARGING COIL ASSEMBLY. Boston Scientific Neuromodulation Corporation
- 2221620** Polypeptide biomarkers for diagnosing Alzheimer's disease. Bayer Pharma Aktiengesellschaft
- 2228320** System and method for preparing a beverage. Koninklijke Douwe Egberts B.V.
- 2231256** SYSTEMS FOR REMOVING UNDESIRABLE MATERIAL WITHIN A CIRCULATORY SYSTEM. Vortex Medical
- 2236003** A METHOD AND SYSTEM FOR SESSION CONTROLLING. Huawei Technologies Co., Ltd.
-

- 
- 2237601** Transmission of the aggregate maximum bit rate from the MME to the E-node B and mobile terminal. Sony Corporation
- 2237603** Transmission of the Aggregate Maximum Bit Rate from the MME to the E-Node B and Mobile Terminal. Sony Corporation
- 2250025** PRINTER HAVING RECYCLING INK AND PRESSURE-EQUALIZED UPSTREAM AND DOWNSTREAM INK LINES. Memjet Technology Limited
- 2250800** SYSTEM AND METHOD FOR DYNAMICALLY UPDATING AND SERVING DATA OBJECTS BASED ON SENDER AND RECIPIENT STATES. Sony Mobile Communications Inc.
- 2255740** Cryotherapy catheter for detecting and treating vulnerable plaque. Cryovascular Systems, Inc.
- 2258533** SCREW AND INJECTION DEVICE. Sumitomo Heavy Industries, LTD.; Spiral Logic Limited
- 2259873** METHOD FOR PREPARING COLLOIDAL TITANIUM DIOXIDE SOLS. Cristal USA Inc.
- 2260337** ROBUST OPTICAL FILTER UTILIZING PAIRS OF DIELECTRIC AND METALLIC LAYERS. Southwall Technologies, Inc.
- 2261718** Method of fabrication a sample chamber. ibidi GmbH
- 2262145** METHOD AND APPARATUS FOR PROVIDING UPLINK PACKET DATA SERVICE IN ASYNCHRONOUS WCDMA SYSTEM. Samsung Electronics Co., Ltd.
- 2263788** A PROCESS FOR THE PREPARATION OF MICROCAPSULES FILLED WITH ACTIVE INGREDIENTS. Sol-Gel Technologies Ltd.
- 2264128** Catalyst structure and method of fischer-tropsch synthesis. BATTELLE MEMORIAL INSTITUTE Pacific Northwest Division Intellectual Property Services
- 2265058** Method and apparatus for receiving broadcast in a wireless multiple-access communications system. Qualcomm Incorporated
- 2267382** Two-part cooling device. BSH Hausgeräte GmbH
- 2268078** Grant, acknowledgement, and rate control active sets. Qualcomm Incorporated
- 2268520** METHOD AND DEVICE FOR MONITORING A HYBRID DRIVE. Robert Bosch GmbH
- 2270116** Color-stabilized electrochromic devices. Gentex Corporation
- 2272340** BOTULINUM TOXIN. Sanders, Ira
- 2276142** Uninterruptible power supply. Schneider Electric IT Corporation
- 2281523** Directive window ablation antenna with dielectric loading. Covidien LP
- 2281547** Tooth sensitivity treatment compositions. Johnson & Johnson Consumer Inc.
- 2281548** Tooth sensitivity treatment compositions. Johnson & Johnson Consumer Inc.
-

- 2281837** ANTIGEN BINDING DOMAINS FROM FISH. ABERDEEN UNIVERSITY;  
University of Maryland, Baltimore
- 2281850** Polymers, support comprising said polymers and uses thereof as dyes capturing  
and bactericidal agents. Siate S.r.l.; Zanolò S.p.A.
- 2282081** Stabilizer for a belt type continuously variable transmission (CVT). JTEKT  
CORPORATION
- 2282167** Nuclear magnetic resonance gyroscope mechanization. Northrop Grumman  
Systems Corporation
- 2282217** Metal tip for scanning probe applications and method of producing the same.  
SPECS Surface Nano Analysis GmbH
- 2282340** Light emitting module. Koito Manufacturing Co., Ltd.
- 2282397** Method and apparatus for activating an electric machine, and electric machine.  
WINDFIN B.V.
- 2282400** Motor driving system. Honda Motor Co., Ltd.
- 2282524** Imaging apparatus and information processing apparatus. CANON KABUSHIKI  
KAISHA
- 2282595** Method of handling resource assignment and related communication device.  
HTC Corporation
- 2283791** Robotic drive for catheter. Biosense Webster, Inc.
- 2284049** A pawl assembly. MARTIN-BAKER AIRCRAFT CO. LTD.
- 2284308** Sewing machine needle with coupling tool preventing loss. Groz-Beckert KG
- 2284353** Locking system for blinds. Turnils (UK) Limited
- 2284380** Method for controlling the common rail pressure of a direct injection engine.  
Magneti Marelli S.p.A.
- 2284382** Power supply system. Honda Motor Co., Ltd.
- 2284587** TIGHT-BUFFERED OPTICAL FIBER UNIT HAVING IMPROVED  
ACCESSIBILITY. Draka Comteq B.V.
- 2284675** Method for displaying data and mobile terminal thereof. LG Electronics Inc.
- 2284705** MICROPROGRAMMABLE DEVICE CONFIGURED TO DETECT  
CORRUPTION OF THE CODE MEMORY BASED ON CODE SIGNATURE.  
C.R.F. Società Consortile per Azioni
- 2284753** Program introduction supporting server, program introduction supporting system,  
program introduction supporting method, and program introduction supporting  
computer program. Ricoh Company Ltd.
- 2284848** Transmitter. PHOENIX CONTACT GmbH & Co. KG
- 2284926** Secondary battery. Samsung SDI Co., Ltd.
- 2284982** Discharge circuit for smoothing capacitor of DC power supply. Hitachi  
Automotive Systems, Ltd.
-

- 
- 2285194** New process to form highly conductive feature from silver nanoparticles with reduced processing temperature. Xerox Corporation
- 2286659** Power tool having an interchangeable blade assembly and method for interchanging the blade assembly. Robert Bosch GmbH
- 2286684** Outsole and sports shoe. Adidas AG
- 2286727** Controlled contactless power transmission. Schleifring GmbH
- 2286754** Surface ablation antenna with dielectric loading. Covidien LP
- 2286984** SEALING FLUID CANISTER AND REPAIR KIT COMPRISING SUCH A CANISTER. TEK GLOBAL S.r.l.
- 2287043** Vehicle lighting system with detection and display of a malfunction of an LED vehicle light. BPW Bergische Achsen KG
- 2287520** Lighting device. LG Innotek Co., Ltd.
- 2287522** Lighting device. LG Innotek Co., Ltd.
- 2287593** Method and device for optical inspection of a surface on an object. Carl Zeiss OIM GmbH
- 2287598** GAS SENSOR. NGK Insulators, Ltd.
- 2287707** APPARATUS AND METHOD FOR PROVIDING WIRELESS COMMUNICATION AND GLOBAL POSITIONING FOR A WIRELESS COMPUTER MOUSE. Sony Corporation; Sony Electronics Inc.
- 2288175** Delivery of identification information. Airbus Defence and Space Oy
- 2288220** Method and apparatus for identifying downlink message responsive to random access preambles transmitted in different uplink channels in mobile communication system supporting carrier aggregation. Samsung Electronics Co., Ltd.
- 2289297** Pneumatic single grain seeder. Amazonen-Werke H. Dreyer GmbH & Co. KG
- 2289298** Pneumatic single grain seeder. Amazonen-Werke H. Dreyer GmbH & Co. KG
- 2289433** Pedicle access tool. Zimmer Spine, Inc.
- 2289726** Partition device with an adjustable partition wall between luggage compartment and canopy stow room of a motor vehicle with folding or collapsible roof. Bayerische Motoren Werke Aktiengesellschaft
- 2289737** Device and method for controlling the power supply of a headlamp. VALEO VISION
- 2289751** Hybrid powertrain for a motor vehicle and method for operating same. Volkswagen Aktiengesellschaft
- 2289766** Drive and steering device for an industrial truck. Jungheinrich Aktiengesellschaft
- 2290001** Use of engineering polymer compositions for the manufacture of high performance films. Solvay Specialty Polymers USA, LLC.
- 2290199** A turbomachine casing assembly. Rolls-Royce plc
-

- 2290224** Glow plug deterioration determination system. TOYOTA JIDOSHA KABUSHIKI KAISHA
- 2290231** System and method for updating formula in wind turbines controllers. General Electric Company
- 2290355** Device and method for inspecting labelled containers. Kronos AG
- 2290424** Fluorescence image producing method, fluorescence image producing apparatus, and fluorescence image producing program. Sony Corporation
- 2290443** Light source device, projection apparatus, and projection method. CASIO COMPUTER CO., LTD.
- 2290457** Image forming apparatus. Konica Minolta Business Technologies
- 2290468** Fixing roller for fixing unit, fixing unit, image forming apparatus, roller replacement aid for fixing unit, and method of replacing fixing roller in fixing unit. Ricoh Company Ltd.
- 2290629** System and method of target based smoke detection. Honeywell International Inc.
- 2290793** Converter device, module for driving motor, refrigerating apparatus, harmonic reducing device. Hitachi Industrial Equipment Systems Co., Ltd.; Hitachi-Johnson Controls Air Conditioning, Inc.
- 2290800** Control device and control method of high voltage inverter. LS Industrial Systems Co., Ltd
- 2290806** Control apparatus for synchronous motor. Hitachi Ltd.
- 2290807** Driving system of permanent magnet synchronous motor. Hitachi Industrial Equipment Systems Co., Ltd.
- 2291017** Method for network connection. Arcadyan Technology Corp.
- 2292069** PERFORMING RANDOM ACCESS PROCEDURES USING EXTENDED RANDOM ACCESS RESPONSE. LG Electronics Inc.
- 2292731** Method for preparing complex cultures. DuPont Nutrition Biosciences ApS
- 2293047** Method and device for determining a mass proportion of a wall section of a plastic bottle. Kronos AG
- 2293492** Method and system for determining securely manhattan distances. Mitsubishi Electric Corporation
- 2295093** Medical infusion pump with power source voltage logging and method for logging a power source voltage in a medical infusion pump. F.HOFFMANN-LA ROCHE AG
- 2295201** APPARATUS AND COMPOSITION FOR SHARPENING A PAPER BLADE, AND PREPARATION PROCESS THEREFOR. Aurora Office Equipment, Co. Ltd.
- 2295263** AN EQUIPMENT FOR MAKING AN ALBUM CORE AUTOMATICALLY.
-



Imetto Digital Imaging Technology Co., Ltd.

- 2295321** forming unit for a number of items in a device for packaging the items and method for packaging a number of items. Kronos AG
- 2295505** Ink composition, ink set and image forming method. Fujifilm Corporation
- 2295698** Profile assembly, in particular for a window or door and window or door. HUECK GmbH & Co. KG
- 2295723** A composite airfoil made of a three dimensional woven core and a composite skin and method of manufacturing this airfoil. Hamilton Sundstrand Corporation
- 2295762** Engine and saddle-riding type vehicle including the same. Yamaha Hatsudoki Kabushiki Kaisha
- 2296150** Terminal, controlling method thereof and recordable medium for the same. LG ELECTRONICS INC.
- 2299032** Pressure-applying telescopic spacer. Industrias Piqueras, S.A.
- 2299051** Stabplate connections. GE Oil & Gas UK Limited
- 2299067** Turbomachine core coupling assembly. Honeywell International Inc.
- 2299125** Jet Pump Assembly Having Increased Entrainment Flow. GE-Hitachi Nuclear Energy Americas LLC
- 2299342** System and method for managing electronic transmission of color data. SUN CHEMICAL CORPORATION
- 2301651** Method for regulating a separation assembly with a reverse osmosis element and reverse osmosis assembly. Kronos AG
- 2302502** Printing system, printing apparatus, computer program, and storage medium. Ricoh Company, Ltd.
- 2306305** Methods for user interface generation and application modification. Corizon Limited
- 2306363** Multi-touch surface interaction. NCR Corporation
- 2307082** SYSTEM AND METHOD FOR DETERMINING HUMIDITY IN A RESPIRATORY TREATMENT SYSTEM. RIC Investments, LLC.
- 2307934** UNIVERSAL INTERFACE FOR A WIRELESS ADAPTER. Endress+Hauser Process Solutions AG
- 2308613** Fastener feed method and apparatus. Henrob Limited
- 2309573** METHOD FOR MANUFACTURING ELECTRODE MATERIAL PRECURSOR AND METHOD FOR MANUFACTURING ELECTRODE MATERIAL USING THE OBTAINED ELECTRODE MATERIAL PRECURSOR. National Institute of Advanced Industrial Science and Technology
- 2310016** PDE10 INHIBITORS AND RELATED COMPOSITIONS AND METHODS. Omeros Corporation
-

- 2310271** VISUAL LANDING AIDS. QinetiQ Limited
- 2310454** BIODEGRADABLE RESIN COMPOSITION. Kao Corporation
- 2310495** COMPOSITIONS AND METHODS FOR THE PRODUCTION OF ALPHA-HERPESVIRUS 2. Sanofi Pasteur Biologics, LLC
- 2310624** METHOD FOR REMOVING A CONSUMABLE DOWNHOLE TOOL.  
Robertson Intellectual Properties, LLC
- 2310797** PROJECTILE. Deutsches Zentrum für Luft- und Raumfahrt e.V.
- 2311104** CONVERSION LED. OSRAM GmbH; OSRAM Opto Semiconductors GmbH
- 2311148** METHOD FOR PRODUCING A CONNECTION. Rosenberger  
Hochfrequenztechnik GmbH & Co. KG
- 2311237** METHOD AND SYSTEM FOR SESSION CONTROLLING. Huawei  
Technologies Co., Ltd.
- 2311266** VIDEO CODING WITH CODING OF THE LOCATIONS OF SIGNIFICANT  
COEFFICIENTS IN A BLOCK OF COEFFICIENTS. Thomson Licensing
- 2311270** PHASE PLUG AND ACOUSTIC LENS FOR DIRECT RADIATING  
LOUDSPEAKER. Harman International Industries, Incorporated
- 2311284** METHOD, SYSTEM AND COMPUTER READABLE MEDIA FOR  
TRIGGERLESS ROUTING/SCREENING BASED ON A MOBILE  
SUBSCRIBER'S LOCATION. Tekelec, Inc.
- 2311492** Antibody-containing stabilized preparations. Chugai Seiyaku Kabushiki Kaisha
- 2312485** System and method for controlling applications to mitigate the effects of  
malicious software. BlackBerry Limited
- 2312874** BASE STATION, TERMINAL, BAND ALLOCATION METHOD, AND  
DOWNLINK DATA COMMUNICATION METHOD. Sun Patent Trust
- 2312896** BASE STATION DEVICE, MOBILE STATION DEVICE AND  
CORRESPONDING COMMUNICATION METHODS USING CARRIER  
AGGREGATION. Sharp Kabushiki Kaisha
- 2312898** WIRELESS COMMUNICATION BASE STATION DEVICE, WIRELESS  
COMMUNICATION TERMINAL DEVICE, AND CHANNEL ALLOCATION  
METHOD. Sun Patent Trust
- 2312959** PHOTO BIODEGRADABLE PLASTIC AND ITS APPLICATION. Rhodia  
Acetow GmbH
- 2313137** RESPIRATORY MASK SEALING INTERFACE. Fisher & Paykel Healthcare  
Limited
- 2313294** VEHICLE LENGTH SENSORS. TRW Automotive U.S. LLC
- 2313449** AROMATIC POLYESTERS, POLYOL BLENDS COMPRISING THE SAME  
AND RESULTANT PRODUCTS THEREFROM. Dow Global Technologies  
LLC
-

- 2313751** APPARATUS AND METHOD FOR MONITORING TANKS IN AN INVENTORY MANAGEMENT SYSTEM. Enraf B.V.
  - 2313787** APPARATUS, METHOD AND ARTICLE TO PERFORM ASSAYS USING ASSAY STRIPS. Genprime, Inc.
  - 2313799** MIRROR. AGC Glass Europe
  - 2313823** INFORMATION PROCESSING APPARATUS AND METHOD, AND CONTROL PROGRAM. Canon Kabushiki Kaisha
  - 2313862** METHOD AND DEVICE FOR REMOTELY CONTROLLING A CAMERA ON BOARD A MOBILE STATION. European Aeronautic Defence And Space Company Eads France
  - 2313880** INFORMATION PRESENTING DEVICE. Mizelda Ab
  - 2313990** ENABLING DOWNLINK TRANSPARENT RELAY IN A WIRELESS COMMUNICATIONS NETWORK. BlackBerry Limited
  - 2314046** CREDENTIAL MANAGEMENT SYSTEM AND METHOD. Verisign, Inc.
  - 2314050** METHOD FOR FACILITATING COMMUNICATION IN A MOBILE COMMUNICATION SYSTEM AND MOBILE COMMUNICATION SYSTEM. NEC Corporation
  - 2314079** CUSTOMIZATION OF BONE ANCHORED HEARING DEVICES. Cochlear Limited
  - 2314093** TECHNIQUES FOR EFFICIENT DATA TRANSFERS IN A BODY AREA NETWORK. Koninklijke Philips N.V.
  - 2314103** METHOD AND APPARATUS FOR ROUTING OF A BEARER PATH IN AN INTERNET PROTOCOL MULTIMEDIA SUBSYSTEM-BASED COMMUNICATION SYSTEM. Motorola Solutions, Inc.
  - 2314107** METHOD AND APPARATUS FOR AUTOMATED PARAMETER ADJUSTMENT TO COMPENSATE SELF ADJUSTING TRANSMIT POWER AND SENSITIVITY LEVEL AT THE NODE B. QUALCOMM Incorporated
  - 2314122** A MEDIUM ACCESS CONTROL (MAC) PROTOCOL FOR BODY AREA NETWORKS. Koninklijke Philips N.V.
  - 2314635** METHOD FOR MEASURING A PERFLUORO COMPOUND WITH A FILLER. Wako Pure Chemical Industries, Ltd.; Nippon Filcon Co., Ltd.
  - 2315423** FAST SIGNAL DETECTION AND DISTRIBUTED COMPUTING IN PORTABLE COMPUTING DEVICES. Digimarc Corporation
  - 2315591** NOVEL PYRROLE INHIBITORS OF S-NITROSOGLUTATHIONE REDUCTASE AS THERAPEUTIC AGENTS. Nivalis Therapeutics, Inc.
  - 2315625** IMPROVED MEMBRANE SYSTEM BACKWASH ENERGY EFFICIENCY. Evoqua Water Technologies LLC
  - 2315688** BISTABLE VALVE AND METHOD FOR ACTUATING A PARKING
-

- BRAKE SYSTEM HAVING A BISTABLE VALVE. KNORR-BREMSE  
Systeme für Nutzfahrzeuge GmbH
- 2316046** IMAGING OPTICS DESIGNED BY THE SIMULTANEOUS MULTIPLE  
SURFACE METHOD. LPI-Europe, S.L.; Light Prescriptions Innovators, LLC.
- 2316230** SYSTEM AND METHOD FOR A WPAN FIREWALL. Symbol Technologies,  
LLC
- 2316253** A COMPOSITE SHOWERHEAD ELECTRODE ASSEMBLY FOR A  
PLASMA PROCESSING APPARATUS. Lam Research Corporation
- 2316475** Isolated tetrameric uricase. Mountain View Pharmaceuticals, Inc.; Duke  
University
- 2316883** UNSATURATED ESTER RESIN COMPOSITION, UNSATURATED ESTER-  
CURED PRODUCT, AND MANUFACTURING METHOD THEREFOR.  
Kaneka Corporation; Kaneka North America LLC
- 2316901** POLARIZER INCLUDING A PRESSURE SENSITIVE ADHESIVE. LG Chem,  
Ltd.
- 2317269** HEAT EXCHANGER, REFRIGERATING CYCLE APPARATUS, AND AIR  
CONDITIONING APPARATUS. Mitsubishi Electric Corporation
- 2317575** SEMICONDUCTOR LIGHT EMITTING DEVICE AND METHOD FOR  
MANUFACTURING SAME. LG Innotek Co., Ltd.
- 2317804** METHOD AND APPARATUS FOR OPERATING MOBILE NODES IN  
MULTIPLE STATES. Qualcomm Incorporated
- 2317835** METHOD AND DEVICE FOR THE AUTOMATIC REGULATION OF  
PLANT IRRIGATION. PlantCare AG
- 2317842** SELF PROPELLED AGRICULTURAL APPLICATION MACHINE. Agco  
Netherlands B.V.
- 2317968** LIPOSOMAL STRUCTURES FORMING ISOMETRIC AGGLOMERATES,  
ESPECIALLY BATH BEADS, THE PRODUCTION AND USE THEREOF.  
Merz Pharma GmbH & Co. KGaA
- 2318006** NOVEL PYRROLE INHIBITORS OF S-NITROSOGLUTATHIONE  
REDUCTASE AS THERAPEUTIC AGENTS. Nivalis Therapeutics, Inc.
- 2318052** NANOCRYSTALS NANO-EMULSION. COMMISSARIAT À L'ÉNERGIE  
ATOMIQUE ET AUX ÉNERGIES ALTERNATIVES
- 2318208** MULTILAYER THERMOPLASTIC SHEET MATERIALS AND  
THERMOFORMED ARTICLES PREPARED THEREFROM. Trinseo Europe  
GmbH
- 2318299** DEVICE FOR STACKING BANK NOTES. Wincor Nixdorf International  
GmbH
- 2318529** FGFR EXTRACELLULAR DOMAIN ACIDIC REGION MUTEINS. Five
-

Prime Therapeutics, Inc.

- 2318583** STEAM IRON. BSH Hausgeräte GmbH
- 2318659** ROCK ANCHOR CABLE. Sandvik Mining And Construction RSA (Pty) Ltd
- 2318794** REFRIGERATOR WITH INTERIOR LIGHTING. BSH Hausgeräte GmbH
- 2318950** SYSTEM AND METHOD FOR DESIGNING STATIONERY. Tiny Prints, LLC
- 2319144** IGNITION COIL WITH SPACED SECONDARY SECTOR WINDINGS.  
Federal-Mogul Ignition Company
- 2319145** EXTENSION-TYPE SPARK PLUG. Federal-Mogul Ignition Company
- 2319153** METHOD AND DEVICE FOR OPTIMIZED ENERGY MANAGEMENT.  
Airbus Defence and Space GmbH
- 2319211** METHOD AND APPARATUS FOR DYNAMICALLY INSTANTIATING  
SERVICES USING A SERVICE INSERTION ARCHITECTURE. Cisco  
Technology, Inc.
- 2319214** ENHANCED FORMATION OF MESH-TYPE NETWORKS. Koninklijke  
Philips N.V.; Philips Lighting Holding B.V.
- 2319219** METHOD FOR TRANSMIT DIVERSITY ENCODING. Huawei Technologies  
Co., Ltd.
- 2319221** CONTENT DISTRIBUTION NETWORK. British Telecommunications Public  
Limited Company
- 2319274** HIERARCHICAL CLUSTERING FRAMEWORK FOR INTER-CELL MIMO  
SYSTEMS. QUALCOMM Incorporated
- 2319727** VEHICLE SEAT SLIDE DEVICE. Aisin Seiki Kabushiki Kaisha
- 2319925** Therapeutic uses of inhibitors of RTP801. Quark Pharmaceuticals, Inc.; Silence  
Therapeutics Aktiengesellschaft
- 2320494** LEAD STORAGE BATTERY. GS Yuasa International Ltd.
- 2320541** MOTOR WITH DECELERATION MECHANISM. Mitsuba Corporation
- 2320612** DEFAULT CONFIGURATIONS WITH DIFFERENTIAL ENCODING IN A  
WIRELESS COMMUNICATION SYSTEM. Qualcomm Incorporated
- 2320802** IMAGING WITH MULTIPLE APERTURE MEDICAL ULTRASOUND AND  
SYNCHRONIZATION OF ADD-ON SYSTEMS. Maui Imaging, Inc.
- 2320860** CHEMICAL COMPOSITION FOR SKIN CARE FORMULATIONS. Deb IP  
Limited
- 2320923** TRUNCATED ANALOGUES OF GLUCOSE-DEPENDENT  
INSULINOTROPIC POLYPEPTIDE. IPSEN PHARMA S.A.S.
- 2321028** METHOD OF MANUFACTURING A COMPOSITE FILTER MEDIA. E. I. du  
Pont de Nemours and Company
- 2321075** STRAND CASTING MOLD FOR LIQUID METAL, PARTICULARLY FOR  
LIQUID STEEL. SMS group GmbH
-

- 2321146** TIP SLIDE STOW SEAT. Magna Seating Inc.
- 2321180** CARGO LOADER FOR AN AIRCRAFT WITH ADJUSTING MECHANISM.  
TLD (Canada) Inc.
- 2321339** SOLVENT RESISTANT DIAFILTRATION OF PEPTIDES, PNA OR  
OLIGONUCLEOTIDES. Imperial Innovations Limited
- 2321382** INTEGRATED PROPYLENE PRODUCTION. Lummus Technology Inc.
- 2321427** METHODS FOR DIGITAL PCR. Stokes Bio Limited
- 2321575** LED REFLECTOR AND A LAMP INCLUDING THE SAME. GE Lighting  
Solutions, LLC
- 2321710** POWER FACTOR CORRECTION USING HIERARCHICAL CONTEXT OF A  
POWER MONITORING SYSTEM. Schneider Electric USA, Inc.
- 2321794** METHOD FOR RED-EYE DETECTION. Hewlett-Packard Development  
Company, L.P.
- 2321858** OPTOELECTRONIC COMPONENT AND METHOD FOR THE  
PRODUCTION THEREOF. OSRAM Opto Semiconductors GmbH
- 2321931** SHARED HOSTING USING HOST NAME AFFINITY. Microsoft Technology  
Licensing, LLC
- 2321937** LOAD BALANCING FOR SERVICES. Microsoft Technology Licensing, LLC
- 2321943** IN-BAND DPI MEDIA RESERVATION MODIFICATIONS TO RFC 3313.  
Alcatel Lucent
- 2321977** INTERAURAL TIME DELAY RESTORATION SYSTEM AND METHOD.  
DTS, Inc.
- 2321991** PROCESS FOR SELECTION OF RESOURCES TO BE RELEASED IN CASE  
OF AN OVERLOAD IN A CELLULAR LAND MOBILE SYSTEM. Deutsche  
Telekom AG
- 2321998** CELL SEARCH AND SELECTION IN A WIRELESS COMMUNICATION  
SYSTEM. QUALCOMM Incorporated
- 2322304** BAND SAW BLADE. AMADA Company, Ltd.; Amada Machine Tools  
Company, Limited
- 2322445** DECORATIVE CAN BODY AND PROCESS FOR PRODUCING THE SAME.  
Toyo Seikan Kaisha, Ltd.
- 2322578** RESIN COMPOSITION, MELT FORMED ARTICLE, MULTILAYER  
STRUCTURE, AND PROCESS FOR PRODUCING RESIN COMPOSITION.  
The Nippon Synthetic Chemical Industry Co., Ltd.
- 2323103** DETECTIVE INFORMATION REGISTRATION DEVICE, TARGET OBJECT  
DETECTION DEVICE, METHOD OF CONTROLLING DETECTIVE  
INFORMATION REGISTRATION DEVICE, METHOD OF CONTROLLING  
TARGER OBJECT DETECTION DEVICE, CONTROL PROGRAM FOR
-

- DETECTIVE INFORMATION REGISTRATION DEVICE, AND CONTROL PROGRAM FOR TARGET OBJECT DETECTION DEVICE. Omron Corporation
- 2323488** METHOD FOR IMPROVING PLANT GROWTH. Bayer Intellectual Property GmbH
- 2323626** PARENTERAL COMPOSITION COMPRISING MICROSPHERES WITH A DIAMETER BETWEEN 10 AND 20 MICRONS. Coretherapix Slu
- 2323675** COMPOSITIONS COMPRISING LACTOBACILLUS CASEI CNCM I-1518 (DN-114001) FOR PREVENTION OR TREATMENT OF AN UPPER RESPIRATORY TRACT INFECTION IN SMOKERS. Compagnie Gervais Danone
- 2323702** ORTHOPEDIC BANDAGE SET. Straxfix. Technology IVS
- 2323704** PREPARATION OF ELASTIC COMPOSITE STRUCTURES USEFUL FOR COMPONENTS OF DISPOSABLE HYGIENE PRODUCTS AND ARTICLES OF APPAREL. Invista Technologies S.à.r.l.
- 2323790** A UNIVERSAL TOOL MOUNTING SYSTEM FOR A MACHINING CENTRE. Boyes, Barrie John; Boyes, David Aaron
- 2323915** MOULDED TIE STRIPS. Harsley, Andrew John
- 2323942** METHOD AND ARRANGEMENT FOR FIXING THE COMPENSATING ROPES OF AN ELEVATOR. Kone Corporation
- 2323969** USE OF ESTERS DERIVED FROM NATURAL SOURCES HAVING LOWER VISCOSITY AND HIGHER SPREAD RATE AS WELL AS PREPARATION OF NATURAL PERSONAL CARE COMPOSITION COMPRISING SUCH ESTERS. Inolex Investment Corporation
- 2324057** MINIGENE COMPRISING HTPA SIGNAL PEPTIDE, T-CELL EPITOPES, E. COLI LTB AND FURIN SENSITIVE LINKERS. MSD Italia S.r.l.; Merck Sharp & Dohme Corp.
- 2324094** THERMOPLASTIC CELLULOSIC FIBER BLENDS AS LOST CIRCULATION MATERIALS. Board of Supervisors of Louisiana State University
- 2324362** DYE APPLICATION FOR CONFOCAL IMAGING OF CELLULAR MICROSTRUCTURE. University of Utah Research Foundation
- 2324461** MONITORING SYSTEM, METHOD AND COMPUTER PROGRAM FOR DETECTING AND/OR TRACKING A MONITORING OBJECT. Robert Bosch GmbH
- 2324490** METHODS UTILIZING MICROWAVE RADIATION DURING FORMATION OF SEMICONDUCTOR CONSTRUCTIONS. Micron Technology, Inc.
- 2324593** MULTI-CARRIER GRANT DESIGN. QUALCOMM Incorporated
-

- 2325141** Method for preparing silicas with specific porous distribution and the uses thereof, in particular for reinforcing polymers. RHODIA CHIMIE
- 2325449** EXHAUST GAS PURIFICATION SYSTEM AND EXHAUST GAS PURIFYING METHOD USING SAME. Nissan Motor Co., Ltd.
- 2326225** CONTAINER FOR COLLECTING WASTE LIQUIDS. MERIM SERVICES
- 2326241** MONITORING THE BLOOD PRESSURE OF A PATIENT. Koninklijke Philips N.V.
- 2326242** ECG DATA ACQUISITION DEVICE. Amitai, David; Amitai, Assaf
- 2326351** CONJUGATES OF SMALL-INTERFERING NUCLEIC ACIDS. Nektar Therapeutics
- 2326356** MEDICAL DEVICE FOR BONE IMPLANT AND METHOD FOR PRODUCING SUCH A DEVICE. Exogenesis Corporation
- 2326410** DIFFUSION AND/OR FILTRATION DEVICE. Gambro Lundia AB
- 2326509** PRINTED CIRCUIT BOARD BONDING DEVICE. Memjet Technology Limited
- 2326596** MULTI-LAYER SLIDES FOR ANALYSIS OF URINE SEDIMENTS. Siemens Healthcare Diagnostics Inc.
- 2326657** SYNTHESIS OF GLATIRAMER ACETATE. ScinoPharm Taiwan Ltd.
- 2326668** ANTI-IL-12/IL-23 ANTIBODIES. Teva Pharmaceuticals Australia Pty Ltd
- 2326846** CAMMING ELEMENT FOR FASTENER. TITUS INTERNATIONAL PLC
- 2326895** DOOR FOR A HOUSEHOLD APPLIANCE. BSH Hausgeräte GmbH
- 2326923** SENSOR ARRANGEMENT FOR DETERMINING A PARAMETER OF A FLUID MEDIUM. Robert Bosch GmbH
- 2326933** IMPROVEMENTS IN AND RELATING TO APPARATUS FOR THE AIRBORNE ACOUSTIC INSPECTION OF PIPES. Acoustic Sensing Technology (UK) LTD
- 2327024** TECHNIQUES FOR RESOURCE LOCATION AND MIGRATION ACROSS DATA CENTERS. Microsoft Technology Licensing, LLC
- 2327205** DYNAMIC SWITCHING BETWEEN DIGITAL TV SERVICES. TP Vision Holding B.V.
- 2327214** METHOD AND APPARATUS FOR WIRELESSLY DISTRIBUTING MULTIPLEX SIGNAL COMPRISING MULTIMEDIA DATA OVER A LOCAL AREA NETWORK. QUALCOMM INCORPORATED
- 2327242** METHOD AND SYSTEM FOR DISTRIBUTED SENSING MANAGEMENT AND CONTROL WITHIN A COGNITIVE RADIO NETWORK. Motorola Solutions, Inc.
- 2327268** RNTI-DEPENDENT SCRAMBLING SEQUENCE INITIALIZATION. QUALCOMM Incorporated
-



- 2327792** Methods and compositions for detecting auto-immune disorders. Genentech, Inc.
- 2328042** LUBRICANT APPLICATOR AND IMAGE FORMING DEVICE. Konica Minolta Business Technologies, Inc.
- 2328104** Power injector with decay constant functionality. Liebel-Flarsheim Company LLC
- 2328395** AGRICULTURAL APPLICATION MACHINE WITH VARIABLE WIDTH TRACK. Agco Netherlands B.V.
- 2328549** SORE THROAT COMPOSITIONS. Reckitt Benckiser Healthcare (UK) Limited
- 2328554** ENCAPSULATION OF PHOTOSENSITIZERS IN NANO-EMULSIONS. COMMISSARIAT À L'ÉNERGIE ATOMIQUE ET AUX ÉNERGIES ALTERNATIVES
- 2328778** HEADLIGHT HAVING A PLURALITY OF LUMINESCENT DIODE EMITTERS. OSRAM Opto Semiconductors GmbH
- 2328848** SYNTHESIS OF ORDERED MESOPOROUS CARBON-SILICON NANOCOMPOSITES. Corning Inc.
- 2328984** BIOMASS DERIVED RADIATION CURABLE LIQUID COATINGS. PPG Industries Ohio, Inc.
- 2329049** METHOD FOR CONTROLLING FOAMED SLAG IN A STAINLESS MELT IN AN ELECTRIC ARC FURNACE. SMS group GmbH
- 2329125** PISTON FOR AN INTERNAL COMBUSTION ENGINE. Mahle International GmbH
- 2329209** DISPENSER NICHE FOR A REFRIGERATOR. BSH Hausgeräte GmbH
- 2329226** PHASE BASED SENSING. QinetiQ Limited
- 2329436** IMAGE-BASED INVENTORY CONTROL SYSTEM USING ADVANCED IMAGE RECOGNITION. Snap-on Incorporated
- 2329566** HIGH-SPEED CONNECTOR WITH MULTI-STAGE COMPENSATION. Panduit Corp.
- 2329613** COMMUNICATION NETWORK ELEMENT AND METHOD FOR TRANSMITTING DATA. Nokia Solutions and Networks Oy
- 2329692** HIGH-CURRENT DC PROTON ACCELERATOR. Ion Beam Applications S.A.
- 2329713** PLANT DISEASE CONTROL AGENT COMPRISING D-TAGATOSE AS ACTIVE INGREDIENT, AND PLANT DISEASE CONTROL METHOD. National University Corporation Kagawa University; Mitsui Chemicals Agro, Inc.
- 2330506** METHOD AND DEVICE FOR BALANCING INTERRUPT LOAD OF MULTICORE PROCESSOR. ZTE Corporation
- 2330528** Secure circuit board assembly. NCR Corporation
- 2330777** METHOD AND SYSTEM FOR CONTROLLING ACCESS TO A WIRELESS
-

- COMMUNICATION MEDIUM. InterDigital Technology Corporation
- 2331140** MULTI-ARM POLYMERIC ALKANOATE CONJUGATES. Nektar Therapeutics
- 2331155** BIOCOMPOSITES AND METHODS OF MAKING THE SAME. Fibralign Corp.
- 2331241** PERVAPORATION PROCESS FOR SEPARATING LIQUID MIXTURES. Nederlandse Organisatie voor toegepast- natuurwetenschappelijk onderzoek TNO
- 2331260** DEVICE FOR THERMALLY REGULATING A ROTATIONALLY SYMMETRICAL CONTAINER. Cube Dx GmbH
- 2331654** ELECTRON-TRANSPORTING MATERIALS. BOE Technology Group Co., Ltd.
- 2331726** METHOD FOR ELECTRON BEAM INDUCED DEPOSITION OF CONDUCTIVE MATERIAL. Carl Zeiss SMT GmbH
- 2331904** METHOD AND SYSTEM FOR PREDICTING PERFORMANCE OF A DRILLING SYSTEM. Halliburton Energy Services, Inc.
- 2331916** FILL LEVEL MEASURING DEVICE OPERATING BY WAY OF MICROWAVE WAVES. Endress+Hauser GmbH+Co. KG
- 2332288** RFID-BASED SYSTEMS AND METHODS FOR COLLECTING TELECOMMUNICATIONS NETWORK INFORMATION. Corning Cable Systems LLC
- 2334163** THREAD TRIMMER. Husqvarna AB
- 2334532** CABIN FOR ACCOMMODATING PASSENGERS AND/OR GOODS. Cwa Constructions Sa
- 2334682** PYRROLO [ 1, 2 -B] PYRIDAZINE DERIVATIVES AND THEIR USE AS HIF MODULATORS. Fibrogen, Inc.
- 2334966** FLUID FLOW CONTROL MEMBERS FOR USE WITH VALVES. Emerson Process Management Regulator Technologies, Inc.
- 2335240** VOICE DIALOG SYSTEM WITH REJECT AVOIDANCE PROCESS. Deutsche Telekom AG
- 2335463** HOT AISLE CONTAINMENT PANEL SYSTEM AND METHOD. Schneider Electric IT Corporation
- 2336477** Method of noise reduction by means of a cupboard. Rehau AG & Co
- 2337539** HOT COMPRESS. Beiersdorf AG
- 2338104** METHOD AND APPARATUS FOR DETECTING A MULTITOUCH EVENT IN AN OPTICAL TOUCH-SENSITIVE DEVICE. Rapt IP Limited
- 2338183** SERIES CONNECTED SEGMENTED LED. Kabushiki Kaisha Toshiba
- 2338266** CONTROL PLANE SOLUTION FOR LOCATION SERVICE TO SUPPORT
-

- WIRELESS ACCESS. Qualcomm Incorporated
- 2338270** CALL ROUTING METHODS AND SYSTEMS BASED ON MULTIPLE VARIABLE STANDARDIZED SCORING. Afiniti Europe Technologies Limited
- 2339873** SYSTEM FOR COLOR RING USER SELF-SERVER SERVICE AND REALIZATION METHOD THEREOF. ZTE Corporation
- 2339937** HAIR STYLING APPARATUS. Tenacta Group S.p.A.
- 2339973** DRUG DELIVERY IMPLANTS. Smed-Ta/Td, Llc
- 2340153** COMBUSTION POWER SOURCE WITH BACK PRESSURE RELEASE FOR COMBUSTION POWERED FASTENER-DRIVING TOOL. Illinois Tool Works Inc.
- 2340772** REMOTE-CONTROLLED ACTUATOR. NTN Corporation
- 2342050** HAND-HELD POWER TOOL COMPRISING A SHIFTABLE GEARBOX. Robert Bosch GmbH
- 2343852** KEY DISTRIBUTION METHOD AND SYSTEM. ZTE Corporation
- 2344055** INTERNAL JOINT STABILIZER DEVICE. Skeletal Dynamics, LLC
- 2345174** SYSTEM AND METHOD FOR PROCESSING POWER CONTROL COMMANDS IN A WIRELESS COMMUNICATION SYSTEM. QUALCOMM Incorporated
- 2345198** DOWNLINK GRANTS IN A MULTICARRIER WIRELESS COMMUNICATION SYSTEM. QUALCOMM Incorporated
- 2346174** SOFT DECISION ENHANCEMENT. MStar Software R&D (Shenzhen) Ltd.; MStar Semiconductor, Inc.; MStar Semiconductor, Inc.; MStar France SAS
- 2346440** SOFT FILLED PROSTHESIS SHELL WITH DISCRETE FIXATION SURFACES. ALLERGAN, INC.
- 2347122** DEVICE FOR GENERATING ELECTRIC ENERGY FROM A RENEWABLE SOURCE AND METHOD OF OPERATING SAID DEVICE. Tecnomac S.R.L.
- 2347754** Oral and tooth care and cleaning agents with alkylpyridinium salts I. Henkel AG & Co. KGaA
- 2349041** HF SURGICAL GENERATOR. Erbe Elektromedizin GmbH
- 2349214** PHARMACEUTICAL COMPOSITION IN GRANULE FORM AND METHOD FOR THE PRODUCTION OF SUCH A PHARMACEUTICAL COMPOSITION. Laboratoires Docteur Gaetano Zannini
- 2350284** HYBRID-TYPE HISTIDINE KINASE GENE ISOLATED FROM INDICA RICE IR64. Pareek, Ashwani
- 2350799** METHOD AND DEVICE FOR DISPLAYING INFORMATION SORTED INTO LISTS. Volkswagen Aktiengesellschaft
- 2352301** IMAGE PROCESSING DEVICE, IMAGE PROCESSING METHOD, AND
-

PROGRAM. Sony Corporation

- 2352855** FLEXIBLE PIPE HAVING INCREASED ACID RESISTANCE AND/OR CORROSION RESISTANCE. GE Oil & Gas UK Limited
- 2356005** CONTROL DEVICE FOR A COMPRESSED AIR PREPARATION DEVICE OF A VEHICLE, COMPRESSED AIR PREPARATION DEVICE, VEHICLE SYSTEM, VEHICLE, AND METHOD FOR CONTROLLING THE SAME. WABCO GmbH
- 2357863** FLOW CONTROL METHOD AND CORRESPONDING SYSTEM FOR CELL SHORT MESSAGE. ZTE Corporation
- 2361333** SUB-SEA TRENCH EXCAVATING APPARATUS. IHC Engineering Business Limited
- 2363990** A signal interface for higher data rates. Qualcomm Incorporated
- 2364693** Anhydrous multiphase gel system. Intendis GmbH
- 2364985** CYCLIC DIOL-DERIVED BLOCKED MERCAPTOFUNCTIONAL SILANE COMPOSITIONS. Momentive Performance Materials Inc.
- 2368237** ULTRASONIC TRANSMISSION / RECEPTION FOR ELECTROMAGNETIC TRANSMISSION / RECEPTION. Philips Lighting Holding B.V.
- 2378506** METHODS AND SYSTEMS FOR SUB-PIXEL RENDERING WITH GAMMA ADJUSTMENT AND ADAPTIVE FILTERING. Samsung Display Co., Ltd.
- 2379611** MODIFIED PHENOLIC RESINS. HÜTTENES-ALBERTUS Chemische Werke Gesellschaft mit beschränkter Haftung
- 2381617** A METHOD FOR CALLING A CONFERENCE WHEN HARD TERMINALS HAVE BEEN BOUND TO PC CLIENTS, A LOGIN SERVER THEREOF, A CONFERENCE SERVER THEREOF AND A PC CLIENT THEREOF. ZTE Corporation
- 2383319** COATING COMPOSITION CONTAINING HIGH-REFRACTIVE-INDEX METAL OXIDE FINE PARTICLES, AND CURABLE COATING FILM OBTAINED BY APPLYING THE COATING COMPOSITION ONTO BASE. JGC Catalysts and Chemicals Ltd.
- 2384736** COSMETIC SCALP TREATMENT PROCESS. L'Oréal
- 2385739** Radio communication system and mobile station device. Huawei Technologies Co., Ltd.
- 2386998** A Two-Stage Correlation Method for Correspondence Search. Honda Research Institute Europe GmbH
- 2392411** Fast drying emulsion systems. Tremco Incorporated
- 2393217** Method for channel estimation and wireless communication system. Nokia Solutions and Networks GmbH & Co. KG
- 2398432** ULTRASOUND DEVICE COMPRISING MEANS TO GENERATE
-

- ULTRASOUND BEAM PRESENTING A CONCAVE SEGMENT SHAPE  
HAVING A SINGLE CURVATURE. Eye Tech Care; Institut National de la  
Santé et de la Recherche Médicale
- 2398595** DEVICE, CARTRIDGE AND METHOD FOR DISPENSING A LIQUID.  
Boehringer Ingelheim International GmbH
- 2400297** Inspection system and associated method. The Boeing Company
- 2400382** STORAGE SYSTEM. NEC Corporation; NEC Solution Innovators, Ltd.
- 2401990** Stent configurations. Boston Scientific Scimed, Inc.
- 2402327** Acetamide compounds as glucokinase activators, their process and medicinal  
applications. Impetis Biosciences Ltd.
- 2406406** LEAD-FREE BRASS ALLOY. National Bronze & Metals, Inc.
- 2407723** Sliding hinge for a domestic appliance. Electrolux Home Products Corporation  
N.V.
- 2409713** Oligonucleotides for use in modulating lipoprotein and cholesterol levels in  
humans. Kastle Therapeutics, LLC
- 2412938** Shaft assembly for a gas turbine engine. United Technologies Corporation
- 2413558** METHOD AND SYSTEM FOR UPDATING AND USING DIGITAL  
CERTIFICATES. ZTE Corporation
- 2415422** Cylinder for a penis prosthetic with removable guidance. ET Elastomer Technik  
GmbH
- 2415488** Thread, especially surgical thread, an implant comprising the thread and also a  
process for producing the thread and the implant. B. Braun Surgical S.A.;  
Aesculap AG
- 2415549** Electric spot welding gun. Honda Motor Co., Ltd.
- 2415963** Anchor for use with expandable tubular. Weatherford Technology Holdings,  
LLC
- 2416100** Hopper structure for a dehumidification plant and method for dehumidifying  
granular plastic material. Moretto S.P.A.
- 2416133** Force measurement device and scales. Soehnle Industrial Solutions GmbH
- 2416240** Terminal device. BROTHER KOGYO KABUSHIKI KAISHA
- 2416303** Method for forming a road mark. Hitachi, Ltd.
- 2416324** Semiconductor device and method for driving semiconductor device.  
SEMICONDUCTOR ENERGY LABORATORY CO., LTD.
- 2416361** Arrays for CMOS imagers and their method of manufacturing. IMEC VZW
- 2416604** HANDLING SIGNALLING CONGESTION AND RELATED  
COMMUNICATION DEVICE. HTC Corporation
- 2417848** Method for optimising the distribution of mineral fertiliser. RAUCH  
Landmaschinenfabrik GmbH
-

- 2418055** Manually operated work device. Andreas Stihl AG & Co. KG
- 2418067** Demolding device and injection molding machine. The Japan Steel Works, Ltd.
- 2418069** Blow moulding assembly. KRONES AG
- 2418087** Line head wiping method. Miyakoshi Printing Machinery Co., Ltd.
- 2418177** Micronized CaCO<sub>3</sub> slurry injection system for the remineralization of desalinated and fresh water. Omya International AG
- 2418183** Method for curing coated glass fibres providing increased UVLED intensity. Draka Comteq B.V.
- 2418300** Delivery device and method of use thereof. Rohm and Haas Electronic Materials LLC
- 2418426** Fireplace insert. HT- design, s.r.o.
- 2418553** Apparatus providing settings to field devices joining a wireless network. Yokogawa Electric Corporation
- 2418566** Electronic device including pivotable touch-sensitive display providing haptic feedback. BlackBerry Limited
- 2418575** Metadata-driven process control platform. I&DT Holding B.V.
- 2418681** Heterojunction Bipolar Transistor and Manufacturing Method. NXP B.V.
- 2418691** Stationary sunlight redirecting system for increasing the efficiency of fixed-tilt pv farm. Palo Alto Research Center Incorporated
- 2418700** Light emitting device. LG Innotek Co., Ltd.
- 2418701** Light emitting device. LG Innotek Co., Ltd.
- 2418730** Antenna apparatus having device carrier with magneto-dielectric material. Samsung Electronics Co., Ltd.
- 2418818** NETWORK ENTITY FOR MANAGING COMMUNICATIONS TOWARDS A USER ENTITY OVER A COMMUNICATION NETWORK. Deutsche Telekom AG
- 2418836** Delaying delivery of teleconference access information. BlackBerry Limited
- 2419296** DRIVE UNIT FOR A VEHICLE SEAT. Adient Luxembourg Holding S.à r.l.
- 2420196** Catheter with thin film pressure sensing distal tip. Biosense Webster, Inc.
- 2420218** Device for foot zone therapy. Lagus, Pentti Vilho Fredrik
- 2420284** Implantable adjustable valve. Codman & Shurtleff, Inc.
- 2420406** Device for securing loads on a load surface of a vehicle structure. Fahrzeugbau Karl Tang GmbH
- 2420433** Method and fixing assembly for correct fixing of a device to a structural section of a motor vehicle. PROGRESS-WERK Oberkirch AG
- 2420552** Use of phenothiazine derivatives in lubricating oil compositions in EGR equipped diesel engines. Infineum International Limited
- 2420607** Faceplate of an operating unit for a domestic appliance, operating unit for a
-

- domestic appliance and domestic appliance. BSH Hausgeräte GmbH
- 2420639** Tower with adapter section. General Electric Company
- 2420656** Exhaust gas cleaning device, exhaust system, removal method. Eberspächer Exhaust Technology GmbH & Co. KG
- 2420715** Insulation and/or protective covering for heatable connectors. Voss Automotive GmbH
- 2420789** AIR-COOLED HEAT EXCHANGER PROVIDED WITH A RIGID PANEL FORMING A WINDBREAK. Laborelec CVBA
- 2420924** Information processing apparatus, program, and operation control method. Sony Corporation
- 2420983** Control system and method for passenger transport vehicles, and passenger transport vehicle configured for the use of such a system and/or of such a method. IVECO FRANCE S.A.S.
- 2420995** Display control apparatus and method of controlling the same. Canon Kabushiki Kaisha
- 2421015** Circuit breaker and arc chute with shield apparatus. Eaton Corporation
- 2421017** MEDIUM VOLTAGE CIRCUIT BREAKER ARRANGEMENT OPERATED BY SPECIAL TRANSMISSION MEANS. ABB Schweiz AG
- 2421057** Solar cell. LG ELECTRONICS INC.
- 2421064** Compound for organic optoelectronic device, organic light emitting diode including the same and display including the light emitting diode. Cheil Industries Inc.
- 2421102** Device and method for forming a cable lug. Komax Holding AG
- 2421283** Extraction of channels from multichannel signals utilizing stimulus. Harman International Industries, Incorporated
- 2421321** Methods and mobile station for reestablishing a connection by way of NAS procedures. BlackBerry Limited
- 2422729** Vertebral stabilization system. Zimmer GmbH
- 2422839** Electrode catheter, in particular for cardiac therapy. BIOTRONIK SE & Co. KG
- 2422854** Game system, game device, storage medium storing game program, and game process method. Nintendo Co., Ltd.
- 2423144** Yarn travelling information acquiring device and yarn winding machine. Murata Machinery, Ltd.
- 2423284** Hydration inhibitor coating for adhesive bonds. United Technologies Corporation
- 2423622** Fixing device with mounting elements and supporting rail. IBC Solar AG
- 2423647** APPARATUS FOR USE IN DETERMINING A PLURALITY OF CHARACTERISTICS OF A MULTIPHASE FLOW WITHIN A PIPE. General Electric Company
-

- 2423742** Imaging device, method of selecting imaging mode, and recording medium configured to store computer program. Samsung Electronics Co., Ltd.
- 2423762** Fixing device, image forming apparatus incorporating same, and fixing method. Ricoh Company, Ltd.
- 2423794** Pointer detection apparatus, position detector sensor, and manufacturing method for position detection sensor. Wacom Co., Ltd.
- 2423824** Data transfer device, method of transferring data, and image forming apparatus. Ricoh Company, Ltd.
- 2423978** Terminal box. Hosiden Corporation
- 2424021** Fuel cell assembly. Vaillant GmbH
- 2424066** System and method for distribution of inverter VAR support. General Electric Company
- 2425927** Grinding device. C. & E. Fein GmbH
- 2426005** POWER-SUPPLY CONTROL DEVICE FOR MANAGING ABNORMALTY OF A HIGH-VOLTAGE BATTERY IN A VEHICLE. OMRON Automotive Electronics Co., Ltd.
- 2426011** Method and device for automatic adjustment of an orientation of a light beam emitted by a headlight of a motor vehicle. Valeo Schalter Und Sensoren GmbH
- 2426354** Downwind type wind turbine. Hitachi, Ltd.
- 2426471** Conductive sintered oxide, thermistor element including the same, and temperature sensor including the same. NGK SPARK PLUG CO., LTD.
- 2426773** Battery. GS Yuasa International Ltd.
- 2426805** Control device and method and power supply device. Sony Corporation
- 2426950** Noise suppression for sending voice with binaural microphones. Sony Mobile Communications Inc.
- 2428542** glycol-free aqueous anti-freeze agent containing dicarboxylate salts. BASF SE
- 2428700** Drive device with at least one variator. ZF Friedrichshafen AG
- 2429351** FOOD STEAMER CONTAINERS WITH SEQUENTIAL OHMIC WATER HEATING. IWD Holdings, LLC
- 2431111** Feeder assembly with spill guard. GTP-Schäfer Giesstechnische Produkte GmbH
- 2431556** Cover for a recess of a frame section of a door or window. 4B Holding AG
- 2431718** Device for earthing a control device and temperature measurement. MELECS EWS GmbH & Co KG
- 2434554** WAVELENGTH-CONVERTED LIGHT-EMITTING DEVICE WITH UNIFORM EMISSION. Panasonic Intellectual Property Management Co., Ltd.
- 2436553** Vehicle seat with a pivoting device. Roland Arnold GmbH & Co. KG
- 2436557** Adjustment device for adjusting an optically relevant component of a vehicle headlamp. ZKW Group GmbH
-



- 
- 2436657** APPARATUS AND PROCESS FOR PRODUCING BOTH SALT AND FRESH WATER. Mitsubishi Heavy Industries, Ltd.
- 2436948** Hydraulic support. Vibracoustic GmbH
- 2437318** WAVELENGTH-CONVERTED LIGHT-EMITTING DEVICE WITH UNIFORM LIGHT-EMISSION. Panasonic Intellectual Property Management Co., Ltd.
- 2439029** Method for minimizing remainders when cutting food. Weber Maschinenbau GmbH Breidenbach
- 2439334** Mixer base for a stabiliser / recycler. Wirtgen GmbH
- 2439923** Image processing apparatus, image processing method, and printer. Canon Kabushiki Kaisha
- 2442295** Apparatus and method for generating gray-scale voltage, and organic electroluminescent display device. Samsung Display Co., Ltd.
- 2442429** Power management apparatus, power management system including the power management apparatus, and method for controlling the power management system. Samsung Electronics Co., Ltd.
- 2443874** SYSTEMS AND METHODS FOR SELECTING A NETWORK ACCESS SYSTEM. Telefonaktiebolaget LM Ericsson (publ)
- 2444236** Process of manufacturing of thermoplastically formed arrangements and corresponding foils arrangement. Coveris Rigid (Zell) Deutschland GmbH
- 2444417** GENES AND POLYPEPTIDES RELATING TO BREAST CANCERS. Oncotherapy Science, Inc.
- 2444821** Providing an ultrasound spatial compound image based on center lines of ultrasound images in an ultrasound system. Samsung Medison Co., Ltd.
- 2445192** Scene based non-uniformity correction for infrared detector arrays. Raytheon Company
- 2446506** SYSTEM AND METHOD FOR CALIBRATION OF PHASED ARRAY ANTENNA HAVING INTEGRAL CALIBRATION NETWORK IN PRESENCE OF AN INTERFERING BODY. Elta Systems Ltd.
- 2446943** Controller device and controller system. Nintendo Co., Ltd.
- 2446946** Device support system and support device. Nintendo Co., Ltd.
- 2447059** Bisphenol A and aromatic glycidyl ether-free coatings. Valspar Sourcing, Inc.
- 2447294** Mixed Polycycloaliphatic Amines (MPCA) and MPCA Alkylates. Air Products and Chemicals, Inc.
- 2447441** Attachment device for cladding elements. Thalsofer-Holzzentren GmbH & Co. KG
- 2447748** Compensation of thermally induced refractive index distortions in an optical gain medium or other optical element. Raytheon Company
-

- 2451207** METHOD FOR BANDWIDTH INFORMATION NOTIFICATION, METHOD FOR SERVICE PROCESSING, NETWORK NODE AND COMMUNICATION SYSTEM. Huawei Technologies Co., Ltd.
- 2454142** METHOD AND DEVICE FOR LOCKING A SYSTEM FOR GUIDING A GUIDED VEHICLE. Siemens S.A.S.
- 2458932** RELAY METHOD, RELAY APPARATUS AND COMMUNICATION SYSTEM OF TRANSPORT BEARER. Huawei Technologies Co., Ltd.
- 2459229** USE OF CONSTRAINED DIPEPTIDE AND TRIPEPTIDE MIMIC OLIGOMERS AS VECTORIZATION AGENTS. Centre National de la Recherche Scientifique (C.N.R.S.); Université de Montpellier I; Institut National de la Santé et de la Recherche Médicale
- 2459820** POST MOUNTING FOOTING. Latchways PLC
- 2459889** CLAMP DEVICE AND FRAME SYSTEM. Latchways PLC
- 2459984** GAS COLLECTION AND ANALYSIS SYSTEM WITH FRONT-END PRE-CONCENTRATOR AND MOISTURE REMOVAL. TRICORNTECH TAIWAN
- 2460239** SPATIAL FILTERS FOR HIGH AVERAGE POWER LASERS. Lawrence Livermore National Security, LLC
- 2461612** METHOD, RELAY NODE, E-UTRAN NODEB AND SYSTEM FOR REPORTING BUFFER STATUS REPORT. Huawei Technologies Co., Ltd.
- 2461687** PESTICIDAL COMPOSITIONS. Dow AgroSciences LLC
- 2461712** TRANSPORT CASES WITH A HINGE. G.T. Line-S.r.L.
- 2461734** RETRACTOR COMPONENT SYSTEM. Loftus, Thomas Stuart
- 2461744** ELECTROMAGNETIC SENSOR FOR USE IN MEASUREMENTS ON A SUBJECT. Dune Medical Devices Ltd.
- 2461761** MEDICAL DRAPE. Czajka, Francis A. Jr.; Lockwood, Robert A.
- 2461769** ALIGNABLE JOINT PROSTHESIS SYSTEM. Skeletal Dynamics, LLC
- 2461841** BONE MATRIX COMPOSITIONS AND METHODS. Warsaw Orthopedic, Inc.
- 2461881** A COMPACT MOTION-SIMULATING DEVICE. NIKE Innovate C.V.
- 2461891** METHOD FOR CONTINUOUSLY DETERMINING THE CONCENTRATION OF AT LEAST ONE CN COMPOUND IN AN AQUEOUS SOLUTION. voestalpine Stahl GmbH
- 2461926** SYSTEMS AND METHODS FOR LEACHING A MATERIAL FROM AN OBJECT. Rolls-Royce Corporation
- 2461947** EQUIPMENT AND METHOD FOR MECHANICAL WORKING. Bisiach & Carrù S.p.A.
- 2462036** PACKAGE MADE OF FLEXIBLE MATERIAL WITH TEARING OPENING. Goglio S.p.A.
-

- 
- 2462050** PROCESS FOR MANUFACTURING MEMS DEVICES HAVING BURIED CAVITIES AND MEMS DEVICE OBTAINED THEREBY. STMicroelectronics Srl
- 2462091** PROCESS FOR PREPARING AN ALKYLATE. Shell Internationale Research Maatschappij B.V.
- 2462144** PROCESS FOR PREPARING A 2-ALKYNYL SUBSTITUTED 5-AMINO-PYRAZOLO-[4,3-e]-1,2,4-TRIAZOLO[1,5-c]PYRIMIDINE. Merck Sharp & Dohme Corp.
- 2462182** AGGLOMERATED PARTICULATE LIGNOSULFONATE. Borregaard Industries Limited
- 2462238** ENZYME TRIGGERED REDOX ALTERING CHEMICAL ELIMINATION (E-TRACE) IMMUNOASSAY. Ohmx Corporation
- 2462248** METHOD AND DEVICE FOR PRODUCING A MICROALLOYED STEEL, IN PARTICULAR A PIPE STEEL. SMS group GmbH
- 2462298** LOCK ASSEMBLY. Combi Lock
- 2462395** ROBOT REFRIGERATOR AND SYSTEM HAVING THE SAME. LG Electronics Inc.
- 2462418** CAPACITIVE PRESSURE SENSOR INCORPORATING A TEMPERATURE MEASUREMENT AND COMPATIBLE WITH HOT ENVIRONMENTS. Fogale Nanotech
- 2462431** METHOD AND SYSTEM FOR EXTRACTING SPECTROSCOPIC INFORMATION FROM IMAGES AND WAVEFORMS. Rapiscan Laboratories, Inc.
- 2462434** APPARATUS FOR DETERMINING THE RESIDUAL QUANTITY OF POLLUTING AGENTS IN A GAS MIXTURE AND PROCESS FOR DETERMINING SUCH QUANTITY. Bitossi, Marco
- 2462446** METHODS AND COMPOSITIONS FOR DIAGNOSIS AND PROGNOSIS OF RENAL INJURY AND RENAL FAILURE. Astute Medical, Inc.
- 2462505** STREAMING AN APPLICATION INSTALL PACKAGE INTO A VIRTUAL ENVIRONMENT. Symantec Corporation
- 2462546** METHOD AND SYSTEM FOR PROCESSING STACKS OF SHEETS INTO BUNDLES OF SECURITIES, IN PARTICULAR BANKNOTE BUNDLES. KBA-NotaSys SA
- 2462578** METHOD, DEVICE AND COMPUTER PROGRAM PRODUCT FOR ASSESSING THE DISINTEGRATION OF A DOSAGE FORM IN THE GASTROINTESTINAL TRACT. Triskelion B.V.
- 2462703** SYSTEM AND METHOD FOR A VIRTUAL CARRIER FOR MULTI-CARRIER AND COORDINATED MULTI-POINT NETWORK OPERATION.
-

BlackBerry Limited

- 2462735** SYSTEMS AND METHODS FOR DISAMBIGUATING ENTRIES IN A CONTACTS LIST DATABASE IMPLEMENTED ON A MOBILE DEVICE.  
Qualcomm Incorporated
- 2462738** APPARATUS AND METHOD FOR TUNING TO A CHANNEL OF A MOVING PICTURES EXPERT GROUP TRANSPORT STREAM (MPEG-TS).  
Telefonaktiebolaget LM Ericsson (publ)
- 2462742** SIGNALING THE CHARACTERISTICS OF AN MVC OPERATION POINT.  
QUALCOMM Incorporated
- 2462752** SYSTEMS AND METHOD FOR MONITORING CINEMA LOUDSPEAKERS AND COMPENSATING FOR QUALITY PROBLEMS. IMAX CORPORATION
- 2462758** SYSTEM AND METHOD FOR INSTALLING A LINER. Zia Systems, LLC
- 2462765** METHOD AND APPARATUS FOR UPLINK POWER CONTROL FOR MULTIPLE TRANSMIT ANTENNAS. Qualcomm Incorporated
- 2462790** RECEIVING DEVICE WITH RFID DETECTION OF BUILT-IN COMPONENTS HELD THEREIN, AND RFID DETECTION METHOD.  
Kilian, Dieter
- 2463018** FILTER AND METHOD FOR PRODUCING THE SAME. National Institute for Materials Science
- 2463022** COMPOSITION AND PROCESS FOR PRODUCTION THEREOF. LIGARIC CO., LTD.; Sunstar Giken Kabushiki Kaisha
- 2463073** RESIN MOLD FOR IMPRINTING AND METHOD FOR PRODUCING SAME. Soken Chemical & Engineering Co., Ltd.
- 2463277** METHOD FOR PRODUCING 4,6-DIALKOXY-2-CYANOMETHYLPYRIMIDINE AND SYNTHETIC INTERMEDIATE THEREOF. Kumiai Chemical Industry Co., Ltd.
- 2463308** Polymer hydrogels and medical use thereof. Gelesis LLC
- 2463353** Phosphor, method of manufacturing the same, and light-emitting device. National Institute for Materials Science
- 2463398** COATED MEMBER. Tungaloy Corporation
- 2463541** POWER TRANSMISSION DEVICE. Kabushiki Kaisha F.C.C.
- 2463556** ELECTRIC PUMP UNIT. JTEKT Corporation
- 2464027** POWER LINE COMMUNICATION DEVICE, POWER SUPPLY CIRCUIT WITH COMMUNICATION FUNCTION, ELECTRICAL APPLIANCE, AND CONTROL-MONITORING SYSTEM. Sumitomo Electric Industries, Ltd.;  
Kyoto University
- 2464083** System and method for allocating resources based on events in a network
-

environment. Cisco Technology, Inc.

- 2464163** METHODS, DEVICE AND USER EQUIPMENT FOR CONFIGURING REFERENCE SIGNALS. Huawei Technologies Co., Ltd.
- 2464169** METHOD AND DEVICE FOR REDUCING INTERRUPT TIME WHEN HANDING OVER VOICE OVER IP (VOIP) CALL. ALCATEL LUCENT
- 2464228** SUBSTITUTED CYCLOPROPYL COMPOUNDS, COMPOSITIONS CONTAINING SUCH COMPOUNDS AND METHODS OF TREATMENT. Merck Sharp & Dohme Corp.
- 2464233** ALUMINIUM SILICATE-FREE, HIGHLY CONCENTRATED SUSPENSION CONCENTRATES OF METRIBUZIN. Bayer Intellectual Property GmbH
- 2464247** NUTRITIONAL SUPPLEMENTS. McCord, Darlene
- 2464248** COMPOSITION INCLUDING AN UNSAPONIFIABLE FRACTION. Laboratoires Expanscience
- 2464251** CIGARETTE FILTER. Innovia Films Limited
- 2464260** CARRYING DEVICE FOR A BABY OR A SMALL CHILD. Eberharter, Daniela
- 2464287** USER UNIT FOR DETERMINING OUTPUT PARAMETERS FROM BREATH GAS ANALYSES. aeroscan GmbH
- 2464311** MASKED INTRAOCULAR IMPLANTS AND LENSES. AcuFocus, Inc.
- 2464335** PHARMACEUTICAL COMPOSITION INCLUDING A DHA ESTER TO BE PARENTERALLY ADMINISTERED. Pierre Fabre Médicament
- 2464390** WEARABLE CHEMICAL DISPENSER. S.C.JOHNSON & SON, INC.
- 2464513** METAL PANEL ASSEMBLY. Shiloh Industries, Inc.
- 2464605** Device comprising a source for emitting ultraviolet light. Koninklijke Philips N.V.
- 2464637** SULTONE COMPOUND DERIVATIVES SUBSTITUTED BY NUCLEOPHILES, IN PARTICULAR RADIONUCLIDES, AND USE THEREOF FOR MARKING MACROMOLECULES. Advanced Accelerator Applications
- 2464661** METHODS OF MODULATING IMMUNE FUNCTION WITH ANTI-B7-H7CR ANTIBODIES. The Johns Hopkins University
- 2464679** IMPROVED NYLON RESINS AND PROCESS. INVISTA Textiles (U.K.) Limited
- 2464701** POLYMER PARTICLES AND COATING COMPOSITIONS FORMULATED FROM THE POLYMER PARTICLES. Valspar Sourcing, Inc.
- 2464722** MICROBIAL PRODUCTION OF FATTY ALCOHOLS. Synthetic Genomics, Inc.
- 2464742** REACTION MEDIUM FOR METHICILLIN-RESISTANT
-

- STAPHYLOCOCCUS AUREUS (MRSA) BACTERIA. Biomérieux
- 2464770** Process for binding fiberglass and fiberglass product. Johns Manville
- 2464773** Process for binding fiberglass and fiberglass product. Johns Manville
- 2464802** EDGE PROTECTION SYSTEM. Combisafe International Aktiebolag
- 2464809** DIAMOND IMPREGNATED BIT WITH AGGRESSIVE FACE PROFILE.  
Longyear TM, Inc.
- 2464820** SYSTEM FOR A DIRECT DRIVE PUMP. Harrier Technologies, Inc.
- 2464831** FASTENING MEANS FOR A GUIDE BLADE RING OF A  
TURBOMACHINE. MTU Aero Engines AG
- 2464872** BALANCED PRESSURE, VARIABLE DISPLACEMENT, DUAL LOBE,  
SINGLE RING, VANE PUMP. Woodward, Inc.
- 2464940** WASTE HEAT SYSTEM AND METHOD FOR PREHEATING SCRAP.  
Pyrotek, Inc.
- 2464944** PROJECTILE WITH A MULTI-SPECTRAL MARKING PLUME. Rheinmetall  
Waffe Munition GmbH
- 2464946** PNEUMATIC ENERGY HARVESTING AND MONITORING. The Boeing  
Company
- 2464947** METHOD AND APPARATUS FOR DETERMINING AND COMPENSATING  
FOR A CHANGE IN A DIFFERENTIAL ZERO OFFSET OF A VIBRATING  
FLOW METER. Micro Motion, Inc.
- 2464984** MIXED MODE FLUXGATE CURRENT TRANSDUCER. LEM Intellectual  
Property SA
- 2465006** SOLID STATE LIGHTING ELEMENT COMPRISING AN ELECTRODE  
WITH IMPROVED OPTICAL AND ELECTRICAL PERFORMANCES. 3M  
Innovative Properties Company
- 2465062** GLAUCOMA COMBINATORIAL ANALYSIS. Carl Zeiss Meditec AG
- 2465063** GRAPHICAL INTERFACE FOR ANALYTE METER. Ascensia Diabetes Care  
Holdings AG
- 2465069** PHYSICALLY UNCLONABLE FUNCTION WITH TAMPER PREVENTION  
AND ANTI-AGING SYSTEM. Intrinsic ID B.V.
- 2465096** METHOD AND DEVICE FOR PROCESSING 3-D IMAGE DATA OF A  
SKULL. Siemens Healthcare GmbH
- 2465099** CONTAINER FOR RECEIVING VOUCHERS AND METHOD FOR  
CLOSING CONTAINER HAVING A HOUSING PART AND A COVER FOR  
RECEIVING VOUCHERS. Wincor Nixdorf International GmbH
- 2465173** SPARK PLUG INCLUDING ELECTRODES WITH LOW SWELLING RATE  
AND HIGH CORROSION RESISTANCE. Federal-Mogul Ignition Company
- 2465187** SYSTEM AND METHOD FOR POWER FACTOR CORRECTION. Emerson
-

Climate Technologies, Inc.

- 2465205** APPARATUS FOR CONTROLLING IMPEDANCE IN ADAPTIVE TUNING ANTENNA CIRCUIT. LG Innotek Co., Ltd.
- 2465214** APPARATUS AND METHOD FOR MBMS IN WIRELESS COMMUNICATION SYSTEM. LG Electronics Inc.
- 2465225** METHOD AND APPARATUS FOR TRANSMITTING REFERENCE SIGNALS IN COMMUNICATION SYSTEMS. Samsung Electronics Co., Ltd.
- 2465236** PHYSICAL UPLINK SHARED CHANNEL DEMODULATION REFERENCE SIGNAL DESIGN FOR UPLINK COORDINATED TRANSMISSION IN TYPE II RELAY. BlackBerry Limited
- 2465271** RESOURCE SPECIFICATION FOR BROADCAST/MULTICAST SERVICES. Qualcomm Incorporated
- 2465272** NETWORK ELEMENT, WIRELESS COMMUNICATION UNITS AND METHODS FOR SCHEDULING COMMUNICATIONS. Samsung Electronics Co., Ltd.
- 2465277** ACCOMMODATING HYBRID IPV4V6 NETWORK SUPPORT. BlackBerry Limited
- 2465289** RESOURCE SELECTION FOR DUAL RADIO TERMINALS. Qualcomm Incorporated
- 2465296** GENERATING MEASUREMENT REPORTS UNDER RAPID DEGRADATION OF RADIO CONDITIONS. BlackBerry Limited
- 2465297** METHOD AND APPARATUS FOR RELAY BACKHAUL DESIGN IN A WIRELESS COMMUNICATION SYSTEM. Qualcomm Incorporated
- 2465301** METHODS AND APPARATUS TO SUPPORT VOICE SOLUTIONS FOR DATA CENTRIC TERMINALS. Hilco Patent Acquisition 55, LLC
- 2465307** METHOD AND APPARATUS FOR INTERFERENCE MITIGATION BY PUNCTURING TRANSMISSION OF INTERFERING CELLS. Qualcomm Incorporated
- 2465312** ENHANCED POSITIONING ASSISTANCE DATA FOR REDUCED SIGNALING. Qualcomm Incorporated
- 2465539** DISINTEGRATING PARTICLE COMPOSITION AND ORALLY RAPIDLY DISINTEGRATING TABLET. FUJI CHEMICAL INDUSTRY CO., LTD.
- 2465833** LAMINATED GLASS FOR USE IN VEHICLES. Asahi Glass Company, Limited
- 2466002** DRYER AND CONTROL METHOD OF THE SAME. LG Electronics Inc.
- 2466305** URINARY FUNCTION MEASURING DEVICE AND METHOD FOR ANIMALS. LSI Medience Corporation
- 2466376** Optical System having Integrated Illumination and Imaging Optical Systems, and

3D Image Acquisition Apparatus including the Optical System. Samsung Electronics Co., Ltd.

- 2466423** IMAGE RECOGNITION APPARATUS, OPERATION DETERMINING METHOD, AND PROGRAM. Shimane Prefectural Government
- 2466678** LITHIUM SECONDARY BATTERY. LG Chem, Ltd.; Toray Battery Separator Film Co., Ltd.
- 2466806** METHOD AND SYSTEM FOR IMPLEMENTING NETWORK INTERCOMMUNICATION. ZTE Corporation
- 2466808** DATA TRANSFER DEVICE, DATA TRANSFER METHOD, AND DATA TRANSFER SYSTEM. Mitsubishi Electric Corporation
- 2466939** METHOD AND USER EQUIPMENT FOR DETERMINING RESOURCE LOCATIONS. China Academy of Telecommunications Technology
- 2466949** METHOD AND DEVICE FOR TRANSMITTING DOWNLINK INFORMATION IN MULTI-CARRIER AGGREGATION SYSTEM. China Academy of Telecommunications Technology
- 2467022** DISINFECTANT, USE THEREOF, AND DISINFECTION METHOD. Fresenius Medical Care Deutschland GmbH
- 2467032** A NUTRITIONAL COMPOSITION COMPRISING BIFIDOBACTERIUM LONGUM STRAINS AND REDUCING FOOD ALLERGY SYMPTOMS, ESPECIALLY IN INFANTS AND CHILDREN. Nestec S.A.
- 2467037** INSOLE FOR FOOTWEAR, AND FOOTWEAR. S.C. Johnson & Son, Inc.
- 2467056** APPARATUS AND METHOD FOR GENERATING AND MOVING A MAGNETIC FIELD HAVING A FIELD FREE LINE. Koninklijke Philips N.V.
- 2467080** INTEGRATED SURGICAL DEVICE COMBINING INSTRUMENT, TRACKING SYSTEM AND NAVIGATION SYSTEM. Brainlab AG
- 2467149** FLUID FROM SKIN AND OMENTUM FOR MEDICAL USE. Singh, Ashok K.
- 2467207** TEST STRIP WITH A SHAPED TIP FOR SKIN STRAIGHTENING. F.HOFFMANN-LA ROCHE AG
- 2467253** HOUSING FOR ELECTRICAL POWER CELLS IN ELECTRICALLY DRIVEN AUTOMOTIVE VEHICLES. Basell Poliolefine Italia S.r.l.
- 2467352** PROCESS FOR THE PRODUCTION OF BUTADIENE. Lummus Technology Inc.
- 2467356** PROCESS FOR THE PREPARATION OF GLYCERIDES. DuPont Nutrition Biosciences ApS
- 2467419** USE OF POLYELECTROLITE COMPLEXES AS BARRIER FOR PLASTICIZERS. BASF SE
- 2467447** HIGH EFFICIENCY CONVERSION LED. OSRAM Opto Semiconductors GmbH
-



- 
- 2467486** HEAVY METAL REMEDIATION SYSTEM. Inter American University Of Puerto Rico
- 2467504** A METHOD AND COMPUTER PROGRAM FOR FORMING AN OBJECT. University of Sheffield
- 2467513** PROCESS FOR PREPARING METAL OXIDE CONTAINING LAYERS. Evonik Degussa GmbH
- 2467514** PROCESS FOR PREPARING INDIUM OXIDE CONTAINING LAYERS. Evonik Degussa GmbH
- 2467522** Cellulosic composite. Johns Manville
- 2467541** SEAL FOR SEALING A POTTING CAVITY BETWEEN AT LEAST TWO COMPONENTS. Pfeifer Holding GmbH & Co. KG
- 2467555** DOWNHOLE EXPANDABLE ROLLER BEARING APPARATUS. Lee, Paul Bernard
- 2467560** GRIPPER FOR PETROLEUM PIPES. Robotic Drilling Systems AS
- 2467563** SYSTEM FOR MONITORING CORING OPERATIONS. Specialised Oilfield Services Pty Ltd
- 2467576** FIBER OPTIC GRAVEL DISTRIBUTION POSITION SENSOR SYSTEM. Baker Hughes Incorporated
- 2467633** METHOD OF SEALING A PLASTICS PIPE. Radius Systems Limited
- 2467644** WOOD PELLET STOVE FOR POWER OUTPUTS OF DOWN TO LESS THAN 1 KW. Stuv S.A.
- 2467648** EXTRACTOR HOOD AND METHOD FOR MOUNTING AN EXTRACTOR HOOD. BSH Hausgeräte GmbH
- 2467652** METHOD FOR OPERATING A COOLING DEVICE FOR COOLING A SUPERCONDUCTOR AND COOLING DEVICE SUITABLE THEREFOR. Siemens Aktiengesellschaft
- 2467656** REFRIGERATOR WITH DEFROST WATER CHANNEL AND SIPHON. BSH Hausgeräte GmbH
- 2467659** REFRIGERATOR HAVING A METAL FRONT STRIP. BSH Hausgeräte GmbH
- 2467685** AIRCRAFT CABIN NOISE EXPOSURE ANALYSIS. The Boeing Company
- 2467695** APPARATUS AND METHOD FOR ACCELERATED TISSUE INFILTRATION BY MEANS OF MICROWAVE EXCITATION. Leica Biosystems Nussloch GmbH
- 2467709** PROTON CONCENTRATION TOPOGRAPHIES, METHODS AND DEVICES FOR PRODUCING THE SAME. Technion Research & Development Foundation Ltd.
- 2467712** PROCESS FOR THE IMPROVEMENT OF THE CHROMATOGRAPHIC
-

- DETECTION LIMIT OF AN ANALYTE. Siemens Aktiengesellschaft
- 2467718** FLUID SPECIMEN COLLECTION DEVICE. Branan Medical Corporation
- 2467724** SURVIVAL PROGNOSTIC ASSAY. The Binding Site Group Limited
- 2467749** EFFICIENT COLLIMATION OF LIGHT WITH OPTICAL WEDGE. Microsoft Technology Licensing, LLC
- 2467760** KEYLESS ENTRY ASSEMBLY HAVING CAPACITANCE SENSOR OPERATIVE FOR DETECTING OBJECTS. UUSI, LLC
- 2467765** SYSTEMS AND METHODS FOR RE-COMMISSIONING A CONTROLLED DEVICE IN A HOME AREA NETWORK. Control4 Corporation
- 2467766** SYSTEMS AND METHODS FOR ESTIMATING THE EFFECTS OF A REQUEST TO CHANGE POWER USAGE. Control4 Corporation
- 2467823** IMAGE RECONSTRUCTION METHOD AND SYSTEM. Spectral Edge Limited
- 2467837** DOCUMENT PHOTORENSOR OF SURFACE-MOUNTED ELEMENTS. Japan Cash Machine Co., Ltd.
- 2467842** ENDOSCOPE SIMULATOR. Airway Limited
- 2467899** DIRECTIONAL PLANAR LOG-SPIRAL SLOT ANTENNA. Webb, Spencer
- 2467906** ANGULAR BEAM ADJUSTMENT SYSTEMS AND METHODS FOR LASER SYSTEMS. Newport Corporation
- 2467917** ELECTRICAL ENERGY DISTRIBUTION SYSTEM WITH RIDE-THROUGH CAPABILITY. Renergyx Pty Limited
- 2467922** METHOD AND APPARATUS FOR PERMANENT MAGNET ATTACHMENT IN AN ELECTROMECHANICAL MACHINE. WEG Electric Corp.
- 2467942** METHODS EMPLOYING FEC CODES WITH PERMANENT INACTIVATION OF SYMBOLS FOR ENCODING AND DECODING PROCESSES. QUALCOMM Incorporated
- 2467963** INTRODUCING A DELAY IN THE TRANSMISSION OF A NACK FOR A PACKET RECEIVED EMPLOYING COORDINATED MULTI-POINT TRANSMISSION. Fujitsu Limited
- 2467991** TARGETED ADVERTISING IN A PEER-TO-PEER NETWORK. Thomson Licensing
- 2467993** METHOD AND ARRANGEMENT FOR SYNCHRONISING DATA STREAMS IN NETWORKS AND A CORRESPONDING COMPUTER PROGRAM AND CORRESPONDING COMPUTER-READABLE STORAGE MEDIUM. Lautsprecher Teufel GmbH
- 2467998** MIDCALL FALLBACK FOR VOICE OVER INTERNET PROTOCOL (VOIP) CALLS. Cisco Technology, Inc.
-

- 
- 2467999** MOBILE RADIO ACCESS NETWORK, MOBILITY CONTROL UNIT, METHOD FOR CHARGING IN A MOBILE RADIO ACCESS NETWORK, AND PROGRAM. Deutsche Telekom AG
- 2468010** PRE-REGISTRATION/PRE-AUTHENTICATION IN WIRELESS NETWORKS. TTI Inventions D LLC
- 2468024** METHOD FOR HANDLING CIPHERING KEYS IN A MOBILE STATION. Telefonaktiebolaget LM Ericsson (publ)
- 2468028** COMMUNICATIONS SYSTEM WITH AUTOMATIC NEIGHBOUR RELATION, ANR, FUNCTION. NEC Corporation
- 2468040** HOME BASE STATIONS UNSUCCESSFUL DL PACKETS AGGREGATION. NEC Corporation
- 2468064** SYSTEM AND METHOD FOR MOBILE NETWORK INTER-DEVICE COMMUNICATIONS. BlackBerry Limited
- 2468243** HAIR DYEING METHOD. Kao Corporation
- 2468469** BASE-TIRE MANUFACTURING METHOD, VULCANIZATION DEVICE. Kabushiki Kaisha Bridgestone
- 2468532** TIRE AND TIRE MANUFACTURING METHOD. Bridgestone Corporation
- 2468694** GLASS ARTICLE PROVIDED WITH PHOTOCATALYST FILM. Nippon Sheet Glass Company, Limited
- 2468702** METHOD FOR PRODUCING ARYL, HETEROARYL, OR ALKENYL-SUBSTITUTED UNSATURATED HYDROCARBON. Nippon Soda Co., Ltd.
- 2468758** NOVEL COMPOUNDS, CATALYST COMPOSITION COMPRISING SAME, AND METHOD FOR PREPARING A CYCLIC OLEFIN POLYMER USING SAME. LG Chem, Ltd.
- 2468796** POLYAMIDE. Mitsubishi Gas Chemical Company, Inc.
- 2468831** COATING AGENT COMPOSITION. Momentive Performance Materials Japan LLC
- 2468859** NOVEL PROTEIN HAVING B-GLUCOSIDASE ACTIVITY, AND USE THEREOF. Meiji Seika Pharma Co., Ltd.
- 2468904** METHOD FOR MANUFACTURING THICK-WALLED SEAMLESS STEEL PIPE. Nippon Steel & Sumitomo Metal Corporation
- 2469080** WIND TURBINE AND METHOD OF DEICING WIND TURBINE BLADE. Mitsubishi Heavy Industries, Ltd.
- 2469508** SOUND-ABSORBING BODY. Nishikawa, Yukihiro; Nishikawa, Yoshiko
- 2469626** POWER-SUPPLY DEVICE AND BATTERY CONNECTOR. Yazaki Corporation
- 2469723** System and method for a virtual carrier for multi-carrier and coordinated multi-point network operation. BlackBerry Limited
-

- 2469950** TERMINAL DEVICE AND SIGNAL TRANSMISSION CONTROL METHOD. Panasonic Intellectual Property Corporation of America
- 2469954** MOBILE COMMUNICATION METHOD, RADIO BASE STATION AND MOBILE STATION. NTT DOCOMO, INC.
- 2469994** ELECTRONIC DEVICE COOLING STRUCTURE. Panasonic Intellectual Property Management Co., Ltd.
- 2470038** ARTICLE OF FOOTWEAR HAVING AN UPPER INCORPORATING A TENSILE STRAND WITH A COVER LAYER. NIKE Innovate C.V.
- 2470081** SPINAL IMPLANT. K2M, Inc.
- 2470100** INTEGRATED FIBER OPTIC RAMAN SPECTROSCOPY AND RADIO FREQUENCY ABLATION. New Jersey Institute of Technology
- 2470108** DEVICE FOR STORING AND DISPENSING A MATERIAL AND METHOD OF MAKING SUCH A DEVICE. 3M Innovative Properties Company
- 2470242** MEDICAMENT CONTAINER. Sanofi-Aventis Deutschland GmbH
- 2470249** SUPRAPUBIC URETHRAL CATHETERS. Alternative Urological Catheter Systems Limited
- 2470285** A FILTER FOR INTERNAL COMBUSTION ENGINES. UFI Innovation Center S.r.l.
- 2470324** DEVICE AND METHOD FOR AUTOMATIC MULTIPLE-BEAD WELDING. Esab AB
- 2470761** GAS COOLER FOR AN INTERNAL COMBUSTION ENGINE. MAHLE Behr GmbH & Co. KG
- 2470779** APPARATUS FOR PRODUCING ELECTRIC OR MECHANICAL ENERGY FROM WAVE MOTION. A.P. Sistem di Piccinini Alberto; Zelioli, Neris
- 2470880** SENSOR ARRANGEMENT FOR MEASURING PROPERTIES OF FLUIDS. Johannes Kepler Universität
- 2470881** METHOD FOR FLAGGING A SAMPLE. ABBOTT LABORATORIES
- 2470956** FUNCTIONAL NANOPARTICLES. Molecular Imprints, Inc.; Board of Regents, The University of Texas System
- 2470963** METHOD FOR PROVIDING FLEXOGRAPHIC PRINTING PLATES USING A DEVELOPER SOLUTION. Eastman Kodak Company
- 2470989** ENTROPY POOLS FOR VIRTUAL MACHINES. Microsoft Technology Licensing, LLC
- 2471004** METHOD FOR CALIBRATING A DIAGNOSTIC MEASURING DEVICE. KGmed GmbH
- 2471026** RELEVANCE-BASED IMAGE SELECTION. Google LLC
- 2471275** INTERCONNECTING EARPHONES. Koss Corporation
- 2471636** DEVICE AND METHOD FOR RIPPING GUM OF A CONVEYOR BELT.
-

Bridgestone Corporation

- 2471763** METHOD FOR OBTAINING CERAMIC COMPOUNDS AND RESULTING MATERIAL. Consejo Superior de Investigaciones Científicas (CSIC)
- 2471864** PROCESS FOR THE PRODUCTION OF A POLYLACTIC ACID STEREOCOMPLEX.. Toray Industries, Inc.
- 2472529** THERMISTOR AND METHOD FOR PRODUCING SAME. Murata Manufacturing Co., Ltd.
- 2472569** DIFFUSION AGENT COMPOSITION AND METHOD OF FORMING AN IMPURITY DIFFUSION LAYER. Tokyo Ohka Kogyo Co., Ltd.
- 2472607** GALLIUM NITRIDE COMPOUND SEMICONDUCTOR LIGHT-EMITTING DEVICE. Panasonic Intellectual Property Management Co., Ltd.
- 2472649** PREPARATION METHOD FOR BINDER SOLUTION FOR ELECTRODE FORMATION IN NON-AQUEOUS BATTERY. Kureha Corporation
- 2472729** Interference cancellation system. Adaptive Spectrum and Signal Alignment, Inc.
- 2472956** COMMUNICATION SYSTEM, RELAY DEVICE, MANAGEMENT SERVER, AND COMMUNICATION TERMINAL. Sony Corporation
- 2473025** PRE-TREATMENT TEAT CUP. Lely Patent N.V.
- 2473079** SEAT ELEMENT. Arper S.p.A.
- 2473183** COSMETIC USES OF MODIFIED STRESSED YEAST EXTRACTS AND RELATED COMPOSITIONS. Avon Products, Inc.
- 2473218** MEDICAMENT CONTAINER. Sanofi-Aventis Deutschland GmbH
- 2473283** DEEPWELL PLATE SYSTEM WITH LID. Lonza Biologics Plc.
- 2473304** ROTARY CUTTING TOOL HAVING A CUTTING EDGE FORMED OF VEINED PCD. KENNAMETAL INC.
- 2473366** CONTROL DEVICE AND METHOD FOR PROVIDING A CONTROL DEVICE FOR NAVIGATING LISTS. Volkswagen Aktiengesellschaft
- 2473456** POLYCONDENSATES HAVING ISOBUTYLENE SIDE CHAIN. Construction Research & Technology GmbH
- 2473764** VESSEL, IN PARTICULAR PRESSURE VESSEL. Hydac Process Technology GmbH
- 2473872** ILLUMINATED PANE ARRANGEMENT. Saint-Gobain Glass France
- 2473908** METHOD AND DEVICE FOR DISPLAYING INFORMATION. Volkswagen Aktiengesellschaft
- 2474009** BISTABLE ELECTROMAGNETIC ACTUATING DEVICE. Eto Magnetic GmbH
- 2474073** MAGNETIC DIAGNOSTIC PROBE CONNECTOR SYSTEM. Koninklijke Philips N.V.
- 2474153** AUTOMATIC TERMINATION PATH CONFIGURATION. Level 3
-

Communications, LLC

- 2475142** METHOD AND SYSTEM FOR ACQUIRING ROUTE STRATEGIES. ZTE Corporation
- 2475203** WIRELESS COMMUNICATION TERMINAL, METHOD FOR CONTROLLING SAME, AND INFORMATION STORING MEDIUM. Sony Interactive Entertainment Inc.
- 2475414** HUMIDIFIER WITH WIRELESS TEMPERATURE SENSING. Koninklijke Philips N.V.
- 2475432** Cosmetic spray formulation with antimicrobial effect. Dalli-Werke GmbH & Co. KG
- 2475732** TERNARY COMPOSITIONS FOR HIGH-CAPACITY REFRIGERATION. Arkema France
- 2475828** METHOD AND APPARATUS FOR LAYING CONCRETE OR SIMILAR SUBSTANCES. Mooser Schwingungstechnik GmbH
- 2476077** METHOD AND SYSTEM FOR RESTORING DOMAIN MANAGEMENT. Koninklijke Philips N.V.
- 2476262** AUTOMATED CUSTOMIZATION OF LOUDSPEAKERS AND LOUDSPEAKER HORNS. Bose Corporation
- 2476452** INTRADUCTAL INSERTION DEVICE. Olympus Corporation
- 2480037** Anchor carrier in a multiple carrier wireless communication system. Qualcomm Incorporated
- 2480055** Circuit board design. Intel Corporation
- 2480335** CYCLONE FOR SEPARATING STICKY PARTICLES FROM GAS STREAMS. Outotec (Finland) Oy
- 2480695** METHOD OF MANUFACTURE AN IRON-CHROME ALLOY.. VDM Metals International GmbH
- 2481090** PHOTOVOLTAIC CONCENTRATOR ASSEMBLY WITH OPTICALLY ACTIVE COVER. The Boeing Company
- 2481098** METHOD FOR APPLYING STRESS TO PHOTOVOLTAIC MODULES. Deutsche Landwirtschafts-Gesellschaft E.V.
- 2481204** METHOD OF IN-DEVICE INTERFERENCE MITIGATION FOR CELLULAR, BLUETOOTH, WIFI, AND SATELLITE SYSTEMS COEXISTENCE. MediaTek Inc.
- 2481709** METHOD FOR PREPARING A CERIUM CARBONATE COMPOUND AND METHOD FOR PREPARING CERIUM OXIDE. LG Chem, Ltd.
- 2482774** A METHOD OF ATTACHING GRIP TABS TO THE CARRIER LAYER OF A FILM DRESSING. Mölnlycke Health Care AB
- 2482917** PRE-CONNECTED ELECTRODE PADS WITH REDUCED
-

- SUSCEPTIBILITY TO FALSE ASYSTOLE INDICATIONS BY A DEFIBRILLATOR. Koninklijke Philips N.V.
- 2483515** AN APPARATUS AND METHOD FOR CONTAINING FLUID OR GAS RELEASED FROM A PIPE. Katch Kan Holdings Ltd.
- 2483796** PROVIDING A MANUAL RING-DOWN COMMUNICATION LINE USING SIP. IPC Systems, Inc
- 2485805** COSMETIC PREPARATION CONTAINING CETEARYL SULFOSUCCINATES AND TRISBIPHENYL TRIAZINE. BASF SE
- 2485847** METHOD AND APPARATUS FOR PREPARATION OF CYLINDER BORE SURFACES WITH A PULSED WATERJET. Oerlikon Metco (US) Inc.
- 2486633** HIGH POWER LASER SYSTEM WITH MULTI-PORT CIRCULATOR. IPG Photonics Corporation
- 2486879** GUIDE DEVICE. Olympus Corporation
- 2486940** COMPOSITION COMPRISING EXTRACELLULAR MEMBRANE VESICLES DERIVED FROM INDOOR AIR, AND USE THEREOF. Aeon Medix Inc.
- 2490234** TAB TERMINAL FOR ELECTROLYTIC CAPACITOR. Kohoku Kogyo Co., Ltd.
- 2490469** MOBILE COMMUNICATION SYSTEM, GATEWAY DEVICE, BASE STATION DEVICE, CONTROL METHOD FOR GATEWAY DEVICE, AND COMPUTER-READABLE MEDIUM. NEC Corporation
- 2490922** DUTY CYCLE ESTIMATION SYSTEM AND METHOD. LoJack Corporation
- 2492120** AIR CONDITIONING SYSTEM. Mihama Corporation
- 2492785** Creative design system and method. Northrop Grumman Systems Corporation
- 2493812** A METHOD OF PRODUCING NANO-SIZE GRAPHENE-BASED MATERIAL AND AN EQUIPMENT FOR PRODUCING THE SAME. STANDARDGRAPHENE CO., LTD.
- 2494765** METHODS AND DEVICE FOR CONJOINTLY USING POSITION DATA IN MOBILE TERMINAL DEVICES. Communology GmbH
- 2495216** METHOD AND APPARATUS FOR PRODUCING A NANOSCALE MATERIAL HAVING A GRAPHENE STRUCTURE. STANDARDGRAPHENE CO., LTD.
- 2496750** CONTROL METHOD OF A LAUNDRY MACHINE. LG Electronics Inc.
- 2498185** IN-CAR-USE MULTI-APPLICATION EXECUTION DEVICE. Hitachi Automotive Systems, Ltd.
- 2498348** Spatial filters for high average power lasers. Lawrence Livermore National Security, LLC
- 2501193** BASE STATION FOR DOWNLINK SIGNALING FOR HIGH SPEED
-

- UPLINK PACKET ACCESS. Google Technology Holdings LLC
- 2502543** CAPSULE MEDICAL DEVICE GUIDANCE SYSTEM. Olympus Corporation;  
Siemens Healthcare GmbH
- 2506038** Method, apparatus and system for signal prediction. Qualcomm Incorporated
- 2506659** DEVICE AND METHOD FOR ENHANCING FLEXIBILITY OF INTERFACE  
BETWEEN 3G COMMUNICATION MODULE AND APPLICATION  
PROCESSOR. ZTE Corporation
- 2507725** HYBRID USE OF LOCATION SENSOR DATA AND VISUAL QUERY TO  
RETURN LOCAL LISTINGS FOR VISUAL QUERY. Google LLC
- 2511531** Spiral compressor for coolant. BITZER Kühlmaschinenbau GmbH
- 2512137** A method and system for data compression. Imagination Technologies Limited
- 2512163** METHOD, SYSTEM FOR DEFINING MESSAGE IN MACHINE-TO-  
MACHINE PLATFORM, AND MACHINE-TO-MACHINE PLATFORM. ZTE  
Corporation
- 2520509** Apparatus for dispensing liquid droplets into a gas flow. Airbus Defence and  
Space GmbH
- 2522066** ELECTRIC GENERATOR. Siemens Aktiengesellschaft
- 2527772** Heating apparatus. Linde Aktiengesellschaft
- 2530108** Method of preparing a polymer composition. Cabot Corporation
- 2530116** Polypropylene-talc composite with reduced malodour. Borealis AG
- 2532685** Polymer hydrogels and use thereof. Gelesis LLC
- 2534318** STRUCTURE HAVING AN INTRODUCED ACOUSTIC ELEMENT.  
Klimatop GmbH; Hoppe, Christian
- 2536055** Reporting Differential Channel Quality Information. NVIDIA Technology UK  
Limited
- 2536225** Interference mitigation by puncturing transmission of interfering cells.  
Qualcomm Incorporated
- 2538214** Egg candling method. Egg-Chick Automated Technologies
- 2538736** METHOD, BASE STATION AND RELAY STATION FOR UN SUB-FRAME  
CONFIGURATION PROCESSING. Huawei Technologies Co., Ltd.
- 2539509** A NON-FIXED ASSEMBLED DEVICE. University of Patras; Kostopoulos,  
Vassilios
- 2540727** SULFAMOYLATING REAGENT. MILLENNIUM PHARMACEUTICALS,  
INC.
- 2542019** ACCESS METHOD FOR VIDEO CALL AND VIDEO CALL APPARATUS.  
ZTE Corporation
- 2543520** Sticky note pad. Taiwan Hopax Chemicals Mfg. Co., Ltd.
- 2546602** STEREO CAMERA APPARATUS. Hitachi Automotive Systems, Ltd.
-



- 
- 2548885** INTERACTION OF MORAXELLA CATARRHALIS WITH EPITHELIAL CELLS, EXTRACELLULAR MATRIX PROTEINS AND THE COMPLEMENT SYSTEM. Arne Forsgren AB
- 2549457** VEHICLE-MOUNTING VEHICLE-SURROUNDINGS RECOGNITION APPARATUS AND VEHICLE-MOUNTING VEHICLE-SURROUNDINGS RECOGNITION SYSTEM. Hitachi Automotive Systems, Ltd.
- 2549666** METHOD AND APPARATUS FOR BIAS POINT CONTROL OF A DIFFERENTIAL QUADRATURE PHASE SHIFT KEYING DEMODULATOR. ZTE Corporation
- 2552006** POWER CONVERSION DEVICE. Hitachi Automotive Systems, Ltd.
- 2552420** SUSPENSION AND CAKE COMPOSITION CONTAINING CARBOSTYRYL DERIVATIVE AND SILICONE OIL AND/OR SILICONE OIL DERIVATIVE. Otsuka Pharmaceutical Co., Ltd.
- 2554038** Cutting assembly of a hedge shear. Andreas Stihl AG & Co. KG
- 2554043** Method for forming a connecting slit in a plant container. Desch Plantpak B.V.
- 2554294** Hybrid core assembly. United Technologies Corporation
- 2554431** Vehicular system for storing documents and objects, in particular for industrial and commercial vehicles. IVECO S.p.A.
- 2554500** Device and method for producing filled food. Deutsches Institut für Lebensmitteltechnik e.V.
- 2554506** Yarn winder. TMT Machinery, Inc.
- 2554607** Microstructured device and method of fabrication. Viavi Solutions Inc.
- 2554738** Laundry washing machine. Electrolux Home Products Corporation N.V.
- 2554739** Laundry washing machine. Electrolux Home Products Corporation N.V.
- 2554750** Piste caterpillar with hoist and method for analysing wear of a hoist rope. Kässbohrer Geländefahrzeug AG
- 2554777** Systems and methods for drilling boreholes with noncircular or variable cross-sections. Halliburton Energy Services, Inc.
- 2554787** Gas lift valve having edge-welded bellows and captive sliding seal. Weatherford Technology Holdings, LLC
- 2555017** Vehicle navigation on the basis of satellite positioning data and vehicle sensor data. Harman Becker Automotive Systems GmbH
- 2555109** Search utility program for software developers. Rockwell Automation Technologies, Inc.
- 2555177** Home-automation system and method for implementing a home-automation system. SOMFY ACTIVITES SA
- 2555357** Electrical cabinet with sealed door. Schneider Electric Sachsenwerk GmbH
- 2555403** Switching converter and method for operating the converter. Siemens
-

Aktiengesellschaft

- 2555431** Electronic device including predicted frequency error estimation of a voltage controlled oscillator and related methods. BlackBerry Limited
- 2555446** System and method for multiple management of transmission resources of a space system for multi-cell radio communication. CENTRE NATIONAL D'ETUDES SPATIALES
- 2555550** Method and apparatus for automatically allocating frequency ranges. ROBERT BOSCH GMBH
- 2556783** Dishwasher and home appliance. Samsung Electronics Co., Ltd.
- 2556895** A separation disc for a centrifugal separator and a method for manufacturing the separation disc. Alfa Laval Corporate AB
- 2556942** Injection moulding method and injection moulding tool, in particular jaw tool. Haidlmair Holding GmbH
- 2556943** Blowing machine, method for exchanging blowing station components and drinks container filling assembly and/or drinks container manufacturing device. Kronen AG
- 2557129** Surface-treated calcium carbonate for binding and bioremediating hydrocarbon-containing compositions. Omya International AG
- 2557132** Multilayer adhesive film, in particular for bonding optical sensors. 3M Innovative Properties Company
- 2557144** Lubricant compositions containing a functionalized dispersant. Afton Chemical Corporation
- 2557207** Stretchable conductive nanofibers, stretchable electrode using the same and method of producing the stretchable conductive nanofibers. Industry-academic Cooperation Foundation, Yonsei University; Samsung Electronics Co., Ltd.
- 2557240** Sanitary module. Höfler, Jürgen
- 2557259** Braking device for a sliding door or sliding window, in particular lifting/sliding door, and sliding door or sliding window. HUECK GmbH & Co. KG
- 2557298** Flap device with at least two separately produced flaps fitted together for joint motion. Röchling Automotive SE & Co. KG
- 2557307** Pump head for a fuel pump. Delphi International Operations Luxembourg S.à r.l.
- 2557389** Structure component for an operational missile system. MBDA Deutschland GmbH
- 2557396** 3D tunnel representation. Harman Becker Automotive Systems GmbH
- 2557398** Method and system for navigation. Harman Becker Automotive Systems GmbH
- 2557628** Device for powering a user network comprising a fuel cell and an electricity storage battery. Safran Electronics & Defense
- 2557630** Antenna apparatus and communication terminal. Murata Manufacturing Co., Ltd.
-

- 2557662** A hydroelectric turbine coil arrangement. Openhydro IP Limited
- 2557687** Low-noise amplifier, receiver, method and computer program.  
Telefonaktiebolaget LM Ericsson (publ)
- 2557688** A controller for a radio circuit. NXP B.V.
- 2557748** METHOD AND APPARATUS FOR CONTROLLING PHASE DELAY  
OFFSET POINT OF MODULATOR. ZTE Corporation
- 2557752** Method and device for producing an end-to-end communication between two  
networks. Siemens Aktiengesellschaft
- 2557789** Guided image up-sampling in video coding. Dolby Laboratories Licensing  
Corporation
- 2557842** Autonomous cell reselection by a user equipment. Alcatel Lucent
- 2557855** A SENSOR, A MOBILE USER TERMINAL AND A METHOD OF A  
SENSOR SENSING A MOBILE USER TERMINAL. ALCATEL LUCENT
- 2557878** Method of uplink control information transmission. Industrial Technology  
Research Institute
- 2557885** Method of handling random access procedure associated to cell deactivation.  
Industrial Technology Research Institute
- 2558904** INTERNAL STACK-UP STRUCTURE OF TOUCH PANEL AND METHOD  
FOR PRODUCING THE SAME. TPK Touch Solutions (Xiamen) Inc.
- 2559544** Device and method for reforming plastic preforms into plastic containers with  
pressure pads. Kronos AG
- 2559617** Rudder arrangement for a watercraft. ThyssenKrupp Marine Systems GmbH
- 2559665** Water preparation device. BSH Hausgeräte GmbH
- 2559676** ADHESIVE OR PLASTER MASS COMPRISING A MINERAL BINDER  
AND A LAYERED SILICATE AND COATING SYSTEM AND  
INSULATION SYSTEM COMPRISING A COATING MATERIAL. STO SE &  
Co. KGaA; EMPA
- 2559723** Method for preparing graft copolymers and a porous membrane. Gambro Lundia  
AB
- 2559786** Stable catalyst solution for electroless metallization. Rohm and Haas Electronic  
Materials, LLC
- 2559833** Knob cylinder with push button actuated coupling and actuation knob for such a  
locking cylinder. DOM Sicherheitstechnik GmbH & Co. KG
- 2559849** Gas turbine engine seal assembly having flow-through tube. United Technologies  
Corporation
- 2559890** A device for handling a wind turbine rotor blade and a method for handling wind  
turbine rotor blades. General Electric Company
- 2559908** Irreversible joint. Texa Dynamics S.R.L.
-

- 2559995** System and method for detecting structural defects within a stent. Abbott Laboratories Vascular Enterprises Limited
- 2559996** Gas sensor. NXP B.V.
- 2559997** Method and apparatus for capturing and retesting of an online toc excursion sample. Hach Corporation
- 2560054** Winding of a clock mechanism by pressing or pulling. ETA SA Manufacture Horlogère Suisse
- 2560055** Pre-adjustment of the play of a horological wheel. ETA SA Manufacture Horlogère Suisse
- 2560070** Connection assembly for docking and composite electronic system. ASUSTeK Computer Inc.
- 2560071** Foldable cover. ASUSTeK Computer Inc.
- 2560187** Method for correcting electronic proximity effects using off-centre scattering functions. COMMISSARIAT À L'ÉNERGIE ATOMIQUE ET AUX ÉNERGIES ALTERNATIVES; Aselta Nanographics
- 2560230** Secondary battery with improved safety. Samsung SDI Co., Ltd.
- 2560243** Terminal connected to printed circuit board and connector including the same. DAI-ICHI SEIKO CO., LTD.
- 2560248** Filter casing. MAHLE International GmbH
- 2560344** Management of downloads from a network-based digital data repository based on network performance. Apple Inc.
- 2560347** Building automation arrangement. VKR Holding A/S
- 2560356** Apparatus and method for sharing energy in wireless device. Samsung Electronics Co., Ltd.
- 2560363** Image processing device. Seiko Epson Corporation
- 2560373** Image pickup unit and image-pickup and display system. Sony Semiconductor Solutions Corporation
- 2561343** METHOD AND APPARATUS FOR ULTRASONIC INSPECTION OF A BUTT WELD OF THE TRANSVERSAL SIDES OF TWO METAL SHEETS. Primetals Technologies France SAS
- 2561940** Copper-based sliding material. Daido Metal Company Ltd.
- 2562085** De-icing system for modular counter rotating propeller. Hamilton Sundstrand Corporation
- 2562144** Procedure for obtaining a metallic effect on ceramic bases by ink injection. Sociedad Anónima Minera Catalano-Aragonesa
- 2562342** Vehicle door fluid swivel drive. Schulte, Reinhold
- 2562431** Fluid actuator. Nabtesco Corporation
- 2562470** A method of producing a lighting device, and a corresponding lighting device.
-

OSRAM GmbH

- 2562530** Device for supplying a combustion engine on a test bench with at least one usable medium. Le Moteur Moderne, S.A. LMM - member of the AVL group; AVL List GmbH
- 2562688** Method of Separating Object in Three Dimensional Point Cloud. Samsung Electronics Co., Ltd.
- 2562918** Circuit arrangement with electronic switch. Bombardier Transportation GmbH
- 2563057** Method for data exchange between a secure element and a terminal, secure element, and terminal. T-Mobile Czech Republic a.s.
- 2564763** Ophthalmological analysis apparatus and method. Oculus Optikgeräte GmbH
- 2565378** Rotor casing liner assembly and corresponding power plant. Rolls-Royce plc
- 2565427** Method for switching over a combustion device of a gas turbine engine from operation with a first premixed fuel to a second premixed fuel. Ansaldo Energia Switzerland AG
- 2565455** Scroll compressor having a shaft cover.. SANYO Electric Co., Ltd.
- 2565539** Method for operating a combustion device. Ansaldo Energia IP UK Limited
- 2565603** Light sensor systems for electronic devices. Apple Inc.
- 2565776** Contents information processing program, contents information processing method, and contents information processing system. Brother Kogyo Kabushiki Kaisha
- 2565849** Attachment of a transport ticket validator. Affiliated Computer Services Solutions France
- 2565873** Information processing device, information processing system, information processing method, and program. Sony Corporation
- 2566300** LED Module sytem. ABB AG
- 2566655** PISTON ASSEMBLY MULTIPLE STEP FORMING PROCESS. MAHLE International GmbH; Mahle Industries, Incorporated
- 2567427** METHOD AND ARRANGEMENT FOR DETECTING AN AMOUNT OF MATING CYCLES OF A PLUG CONNECTION COMPONENT. Siemens Aktiengesellschaft
- 2568226** Indoor unit for air-conditioning apparatus and air-conditioning apparatus including indoor unit. Mitsubishi Electric Corporation
- 2568262** Method for operating multiple neighbouring magnetic-inductive flow meters and arrangement of multiple neighbouring magnetic-inductive flow meters. KROHNE Messtechnik GmbH
- 2569896** METHOD AND APPARATUS FOR AUTHENTICATING MULTICAST MESSAGES. Siemens Aktiengesellschaft
- 2570711** Coupling half for hose and pipes. AWG Fittings GmbH
-

- 2571291** METHOD, TERMINAL AND SYSTEM FOR ACHIEVING DIFFERENTIAL CHARGING OF A FIXED WIRELESS PHONE AMONG CELLS. ZTE Corporation
- 2573022** Yarn winding machine. Murata Machinery, Ltd.
- 2573459** Illumination device. Panasonic Intellectual Property Management Co., Ltd.
- 2573539** Electronic control device, vehicle with such a control device and method for operating an electronic control device. Audi AG
- 2575050** Method for communicating with a portable electronic entity. IDEMIA France
- 2575167** Electronic device. FUJITSU LIMITED
- 2575170** Semiconductor package including an integrated waveguide. Avago Technologies General IP (Singapore) Pte. Ltd.
- 2575212** Antenna. LG Innotek Co., Ltd.
- 2575343** Image reading apparatus and image reading system. Brother Kogyo Kabushiki Kaisha
- 2581892** Distance measuring system and method for measuring distance, in particular between a vehicle and its surroundings. ROBERT BOSCH GMBH
- 2582063** Shaped load modulation in a near field communications (NFC) device. NXP USA, Inc.
- 2584397** Optical electro-absorption modulator including two graphene sheets. Samsung Electronics Co., Ltd.
- 2586859** Genetically modified organisms for the production of lipids. Novozymes A/S
- 2587337** Electronic systems and power management methods thereof. Acer Incorporated
- 2587875** Communication authorization for distributing calls to a group. Rohde & Schwarz GmbH & Co. KG
- 2589324** TISSUE PAPER AND METHOD FOR PRODUCING TISSUE PAPER. Daio Paper Corporation
- 2590243** BATTERY MODULE AND BATTERY PACK INCLUDING SAME. LG Chem, Ltd.
- 2592675** Negative active material, method of preparing the negative active material, electrode including the negative active material, and lithium battery including the electrode. Samsung SDI Co., Ltd.
- 2593998** BUSBAR TRUNKING UNIT AND BUSBAR TRUNKING SYSTEM COMPRISING A BUSBAR TRUNKING UNIT. Siemens Aktiengesellschaft
- 2594945** Sample dispensing device. CTC Analytics AG
- 2596420** PORTABLE ELECTRONIC DEVICE AND METHOD OF CONTROLLING SAME. BlackBerry Limited
- 2597397** ANGLE AUTOMATIC COMPENSATION METHOD. Wei Sheng Investment & Development Co., Ltd.
-

- 
- 2597727** Coaxial waveguide antenna. Raytheon Company
- 2598018** SURGICAL APPARATUS. Seckin, Tamer A.
- 2598039** SURGICAL ENDOBAG. Seckin, Tamer A.
- 2598202** SYSTEM FOR IDENTIFYING CARDIAC ARRHYTHMIA DRIVER SITES.  
St. Jude Medical Atrial Fibrillation Division Inc.
- 2598950** HIGH OPACITY LASER PRINTABLE FACESTOCK. CCL Label, Inc.
- 2600541** Wireless communication apparatus and wireless communication method. Optis  
Wireless Technology, LLC
- 2600713** PESTICIDE COMPOSITIONS OF MESO-SIZED PARTICLES WITH  
ENHANCED ACTIVITY. Dow AgroSciences, LLC
- 2600734** METHOD OF OBTAINING GUMDROPS WITH FLUID FILLING. Perfetti  
Van Melle S.p.A.
- 2600744** METHOD OF LASTING AN ARTICLE OF FOOTWEAR. NIKE Innovate C.V.
- 2600763** SYSTEM AND METHOD FOR MEASURING HEART RATE VARIABILITY.  
Lev-el Diagnostics Of Heart Diseases Ltd.
- 2600828** CONDITIONING COMPOSITION FOR HAIR. Kao Germany GmbH
- 2600835** COMBINATIONS OF HEPATITIS C VIRUS INHIBITORS. Bristol-Myers  
Squibb Holdings Ireland
- 2600889** ANTI-LA ANTIBODIES AND THEIR USE FOR IMMUNOTARGETING.  
GEMoAb Monoclonals GmbH
- 2600891** PROTEIN FUSION CONSTRUCTS POSSESSING THROMBOLYTIC AND  
ANTICOAGULANT PROPERTIES. Council of Scientific & Industrial Research
- 2600903** PREPARATION OF EXTREMELY SMALL AND UNIFORM SIZED, IRON  
OXIDE-BASED PARAMAGNETIC OR PSEUDO-PARAMAGNETIC  
NANOPARTICLES AND MRI T1 CONTRAST AGENTS USING THE SAME.  
Hanwha Chemical Corporation
- 2600911** GROWTH-INHIBITED HYDROXYAPATITE, PROCESS FOR ITS  
PREPARATION AND USE. Technische Universität Dresden
- 2600944** ANTIGRAVITY WHOLE BODY EXERCISE GARMENTS. Gravity Fitness  
Australia Pty Ltd
- 2600996** PROCESS FOR PRODUCING A CU-CR MATERIAL BY POWDER  
METALLURGY. Plansee Powertech AG
- 2601007** WELDED STRUCTURE AND WELDING METHOD. Toyota Jidosha  
Kabushiki Kaisha
- 2601034** FOAMED RESIN INJECTION MOLDING METHOD. Ford Global  
Technologies, LLC
- 2601045** BAG-ON-VALVE SYSTEM AND FILM LAMINATE FOR AGGRESSIVE  
FILLING MATERIALS. Huhtamaki Flexible Packaging Germany GmbH & Co.
-

KG

- 2601046** PACKAGING CONTAINER MADE OF A SHEET-LIKE COMPOSITE WITH IMPROVED ADHESION-LAYER AND INNER-LAYER COMBINATION.  
SIG Technology AG
- 2601099** FLUID ELASTOMERIC DAMPER ASSEMBLY INCLUDING INTERNAL PUMPING MECHANISM AND CONTROL VALVE. LORD Corporation
- 2601114** PRIVACY PROTECTION PACKET FOR HOLDING SECURITY DEVICES.  
Avery Dennison Corporation
- 2601120** APPARATUS FOR WINDING UP WEB-LIKE MATERIALS INTO ROLLS.  
Ancient Energy GmbH & Co. Kg
- 2601122** CABLE SPOOL ASSEMBLY. ADC Telecommunications, Inc.
- 2601188** HEPATITIS C VIRUS INHIBITORS. Bristol-Myers Squibb Company
- 2601211** VACCINE. The Pirbright Institute
- 2601223** CATALYST COMPONENTS FOR THE POLYMERIZATION OF OLEFINS.  
Basell Poliolefine Italia S.r.l.
- 2601230** PROCESS FOR PREPARING POLYMER POLYOLS. Shell Internationale Research Maatschappij B.V.
- 2601263** MELT-FABRICABLE TETRAFLUOROETHYLENE/PERFLUORO (ALKYL VINYL ETHER) COPOLYMER COMPOSITION HAVING IMPROVED HEAT AGING PROPERTY. The Chemours Company FC, LLC
- 2601293** RNA INTERFERENCE MEDIATED INHIBITION OF CATENIN (CADHERIN-ASSOCIATED PROTEIN), BETA 1 (CTNNB1) GENE EXPRESSION USING SHORT INTERFERING NUCLEIC ACID (siNA). Sirna Therapeutics, Inc.
- 2601311** ASSAY SYSTEMS FOR DETERMINATION OF SOURCE CONTRIBUTION IN A SAMPLE. Ariosa Diagnostics, Inc.
- 2601320** A METHOD FOR SHOT PEENING. Sintokogio, Ltd.
- 2601321** A METHOD FOR SHOT PEENING A GAS CARBURISED STEEL.  
Sintokogio, Ltd.
- 2601330** CUTTING TOOL COMPRISING MULTILAYER COATING. Walter AG
- 2601336** MACHINE FOR STITCHING SHOE PARTS TO A RELATED SOLE. Ciucani Mocassino Machinery S.r.l.
- 2601352** ANTI-NOISE BARRIER WHEREIN FOUNDATIONS AND LIFTING POST ARE REALIZED IN A SINGLE ELEMENT AND RELATIVE ASSEMBLY METHOD. Urbantech S.R.L.
- 2601469** A PANEL COOLED WITH A FLUID FOR METALLURGIC FURNACES, A COOLING SYSTEM FOR METALLURGIC FURNACES COMPRISING SUCH A PANEL AND METALLURGIC FURNACE INCORPORATING
-



THEM. Tenova S.p.A.

- 2601511** METHOD FOR DETERMINING THE TENDENCY TO IRON DEPOSITION AND SYSTEM THEREFOR. Leuphana Universität Lüneburg Stiftung  
Öffentliche
- 2601521** IDENTIFICATION OF T CELL TARGET ANTIGENS. Ludwig-Maximilians-Universität München
- 2601523** METHOD AND APPARATUS FOR AUTOMATED WHOLE BLOOD SAMPLE ANALYSES FROM MICROSCOPY IMAGES. Abbott Point Of Care, Inc.
- 2601549** OPTICAL COUPLING SYSTEM. Amphenol FCI Asia Pte. Ltd.
- 2601560** SYSTEMS AND METHODS FOR ANALYZING BUILDING OPERATIONS SENSOR DATA. The Regents of the University of California
- 2601588** PROVIDING FAST NON-VOLATILE STORAGE IN A SECURE ENVIRONMENT. Intel Corporation
- 2601601** DISAMBIGUATING INPUT BASED ON CONTEXT. Google LLC
- 2601709** ANTI-BACKLASH DEVICE. Pro Band International, Inc.
- 2601710** CABLE / HARNESS TEST CONNECTOR. CK Technologies, Inc.
- 2601727** INTERLOCKING ARRANGEMENT FOR AN ELECTRIC MOTOR. Protean Electric Limited
- 2601745** INTEGRATED TRANSCEIVERS HAVING MERGED LOW NOISE AND POWER AMPLIFIERS. OCT Circuit Technologies International Limited
- 2601757** METHOD AND APPARATUS FOR CONVERTING A MULTICAST SESSION TO A UNICAST SESSION. Thomson Licensing
- 2601772** GROUP SECURITY IN MACHINE-TYPE COMMUNICATION. NEC Corporation
- 2601786** DYNAMIC BIT ALLOCATION FOR COMMUNICATION NETWORKS. Qualcomm Incorporated
- 2601804** METHOD FOR SELF-OPTIMIZED INTERWORKING BETWEEN RADIO ACCESS NETWORKS. Nokia Solutions and Networks Oy
- 2601907** DRUG-CONTAINING PERSONAL HYGIENE IMPLEMENT. Sunstar Inc.
- 2602037** COATED TOOL. Tungaloy Corporation
- 2602088** RESIN MOLD FOR NANOIMPRINTING. Soken Chemical & Engineering Co., Ltd.
- 2602089** RESIN MOLD FOR NANOIMPRINTING AND MANUFACTURING METHOD THEREOF. Soken Chemical & Engineering Co., Ltd.
- 2602101** TIRE PRODUCTION METHOD AND TIRE. Bridgestone Corporation
- 2602127** TIRE. Bridgestone Corporation
- 2602228** HYDROGEN GENERATION DEVICE AND FUEL CELL SYSTEM.
-

Panasonic Intellectual Property Management Co., Ltd.

- 2602236** FERRITE SINTERED BODY AND NOISE FILTER PROVIDED THEREWITH. Kyocera Corporation
- 2602288** LIQUID COMPOSITION, AND RESISTOR FILM, RESISTOR ELEMENT AND CIRCUIT BOARD USING SAME. Hitachi Chemical Company, Ltd.
- 2602339** GRAIN-ORIENTED ELECTRICAL STEEL SHEET, AND METHOD FOR PRODUCING SAME. JFE Steel Corporation
- 2602350** SPRING AND MANUFACTURE METHOD THEREOF. Nhk Spring Co., Ltd.
- 2602485** Adjustment device, in particular for motor vehicles. MAN Truck & Bus AG
- 2602507** CURVED SPRING AND SLIDE MECHANISM. Mitsubishi Steel MFG. CO., LTD.
- 2602809** QUADRUPOLE-TYPE MASS SPECTROMETER APPARATUS. Shimadzu Corporation
- 2602811** PHOTOCURABLE COMPOSITION AND METHOD FOR PRODUCING MOLDED BODY HAVING SURFACE THAT IS PROVIDED WITH FINE PATTERN. Asahi Glass Company, Limited
- 2602852** Device for solid oxide fuel cell or solid oxide electrolysis cell comprising integral one-piece current collector and manifold. Korea Institute of Energy Research
- 2602885** LASER OSCILLATION APPARATUS. Inter-University Research Institute Corporation High Energy Accelerator Research Organization
- 2602960** COMMUNICATION METHOD AND SYSTEM FOR A NOVEL NETWORK. Beijing Qiantang Network Technology Company, Ltd.
- 2603162** DENTAL ARTICLES INCLUDING A CERAMIC AND MICROPARTICLE COATINGS AND METHOD OF MAKING THE SAME. 3M Innovative Properties Company
- 2603165** A FLEXIBLE DRIVE SHAFT FOR AN ECCENTRIC WEIGHT-DRIVEN PERSONAL CARE APPLIANCE. Koninklijke Philips N.V.
- 2603179** ADJUSTABLE PROSTHETIC LIMB SOCKET. CJ Socket Technologies
- 2603183** A BODY PART TEMPERATURE REGULATING APPARATUS. Paxman Coolers Limited
- 2603187** TROLLEY FOR TRANSPORTING INDIVIDUALS OF LIMITED CAPACITY IN SEDENTARY POSITION ON CHAIR. ZDF Ltd; Mizrachi, David
- 2603227** IMPROVED HEMATOPOIETIC STEM AND PROGENITOR CELL THERAPY. Fate Therapeutics, Inc.
- 2603248** REGENERATIVE TISSUE SCAFFOLDS. Lifecell Corporation
- 2603253** COLLET LOCK. Medical Components, Inc.
- 2603260** CODED DRUG RESERVOIR CONNECTION ELEMENT WITH HINGE. Sanofi-Aventis Deutschland GmbH
-

- 
- 2603269** PATIENT INTERFACE DEVICE INCLUDING A DYNAMIC SELF ADJUSTMENT MECHANISM. Koninklijke Philips N.V.
- 2603321** METHOD FOR RESTORING ACTIVITY TO A SPENT HYDROPROCESSING CATALYST, A SPENT HYDROPROCESSING CATALYST HAVING RESTORED CATALYTIC ACTIVITY. Shell Internationale Research Maatschappij B.V.
- 2603334** DRAWING PRESS WITH A STATIC BLANK HOLDER. Schuler Pressen GmbH
- 2603350** MATERIAL PROCESSING ASSISTED BY INDUCTIVE HEATING, IN PARTICULAR MACHINING OF TITANIUM ALLOYS OR MATERIALS HAVING A COMPARABLY LOW THERMAL CONDUCTIVITY FACTOR. Technische Universität Darmstadt
- 2603379** POLYAMIDE COMPOSITE STRUCTURES AND PROCESSES FOR THEIR PREPARATION. E. I. du Pont de Nemours and Company
- 2603454** GROUND EXPANDED GRAPHITE AGGLOMERATES, METHODS OF MAKING, AND APPLICATIONS OF THE SAME. Imerys Graphite & Carbon Switzerland S.A.
- 2603473** POLYPHOSPHATE FERTILIZER COMBINATIONS. Agtec Innovations, Inc.
- 2603486** PANTHENYL DOCOSAHEXAENOATE AND ITS USE FOR TREATING AND PREVENTING CARDIOVASCULAR DISEASES. Pierre Fabre Médicament
- 2603569** FLUORINATED HYDROCARBON COMPOSITION. Carrier Corporation
- 2603574** FOAMING CLEANSER. Colgate-Palmolive Company
- 2603582** COMPOSITIONS AND METHODS FOR PRODUCING DENDRITIC CELLS. CytoVac A/S
- 2603594** COMPOSITIONS COMPRISING A POLYPEPTIDE HAVING CELLULOLYTIC ENHANCING ACTIVITY AND A BICYCLIC COMPOUND AND USES THEREOF. Novozymes, Inc.
- 2603598** COMPOSITIONS COMPRISING A GH61 POLYPEPTIDE HAVING CELLULOLYTIC ENHANCING ACTIVITY AND A QUINONE COMPOUND AND USES THEREOF. Novozymes, Inc.
- 2603626** PROCESS AND APPARATUS FOR SPINNING FIBRES AND IN PARTICULAR FOR PRODUCING A FIBROUS-CONTAINING NONWOVEN. BOMA ENGINEERING SRL
- 2603653** TOOL-LESS REKEYABLE LOCK CYLINDER. Spectrum Brands, Inc.
- 2603670** DEVICE FOR LOCKING A ROOT OF A ROTOR BLADE. Safran Aircraft Engines
- 2603687** DIPOLE TRIBOELECTRIC INJECTOR NOZZLE. Ronnell Company, Inc.
-

- 2603713** THERMOPLASTIC JOUNCE BUMPERS. E. I. du Pont de Nemours and Company
- 2603714** THERMOPLASTIC JOUNCE BUMPERS. E. I. du Pont de Nemours and Company
- 2603770** PARKING LOT DETECTION USING PROBE DATA. TomTom Global Content B.V.
- 2603788** METHOD FOR RADIOGRAPHICALLY INSPECTING A COMPONENT BY MEANS OF X-RAY BEAMS USING A SMOOTHING AGENT AND SMOOTHING AGENT FOR CARRYING OUT THE METHOD. Rolls-Royce Deutschland Ltd & Co KG
- 2603800** IMAGE FORCE MICROSCOPY OF MOLECULAR RESONANCE. The Regents of the University of California
- 2603822** SURFACE STRUCTURE AND FRESNEL LENS AND TOOL FOR PRODUCTION OF A SURFACE STRUCTURE. Fraunhofer-Gesellschaft zur Förderung der angewandten Forschung e.V.
- 2603828** DECREASING IMAGE ACQUISITION TIME FOR COMPRESSIVE IMAGING DEVICES. Inview Technology Corporation
- 2603847** STORAGE APPARATUS AND CONTROL METHOD THEREOF. Hitachi, Ltd.
- 2603887** METHOD OF MANUFACTURING AN ANTENNA FOR AN ELECTRONIC DEVICE OF A TYRE. Compagnie Générale des Etablissements Michelin
- 2603916** LINE TERMINATION METHODS AND APPARATUS. Micron Technology, Inc.
- 2603939** INSULATED LED DEVICE. Air Motion Systems, Inc.
- 2603956** COAXIAL CABLE CONNECTOR WITH RADIO FREQUENCY INTERFERENCE AND GROUNDING SHIELD. Corning Optical Communications RF LLC
- 2603988** METHOD AND APPARATUS OF CONTROLLING RESOURCE OF FEMTO BASE STATION FOR PROTECTING INTERFERENCE VICTIM TERMINAL AND CONTROLLING INTERFERENCE AMONG FEMTO BASE STATIONS. Samsung Electronics Co., Ltd.
- 2603997** PREPAID DATA HUB. Syniverse Technologies S.à r.l.
- 2604005** SYSTEM AND METHOD FOR CLASSIFICATION OF ICA PUBLISHED APPLICATIONS. Citrix Systems Inc.
- 2604012** A METHOD IN A MEDIA CLIENT, A MEDIA CLIENT, A CONTROL ENTITY AND A METHOD IN A CONTROL ENTITY. Telefonaktiebolaget LM Ericsson (publ)
- 2604017** SYSTEM AND METHOD FOR COGNIZANT TRANSPORT LAYER
-

- SECURITY. Google Technology Holdings LLC
- 2604055** AUTOMATIC GUARD PERIOD ADJUSTMENT IN TIME DIVISION  
DUPLEXED WIRELESS COMMUNICATION. Telefonaktiebolaget LM  
Ericsson (publ)
- 2604063** REDUCING CONGESTION IN WIRELESS COMMUNICATION  
NETWORKS. Sharp Kabushiki Kaisha
- 2604072** DUAL OPERATION OF USER EQUIPMENT IN LICENSED AND  
UNLICENSED SPECTRUM. Telefonaktiebolaget LM Ericsson (publ)
- 2604095** INTERFACE CIRCUIT FOR A LIGHTING DEVICE. eldoLAB Holding B.V.
- 2604629** COMPOSITION FOR PREVENTING OR TREATING CERVICAL CANCER  
HAVING HUMAN PAPILOMAVIRUS IMMUNITY ENHANCER. Genexine,  
Inc.
- 2604643** THIN-WALL ARTICLE. Mitsubishi Gas Chemical Company, Inc.
- 2604650** RUBBER COMPOSITION, METHOD FOR PREVENTING  
DISCOLORATION OF RUBBER COMPOSITION, AND TIRE. Bridgestone  
Corporation; Kao Corporation
- 2604672** BIOMASS GASIFICATION GAS PURIFICATION SYSTEM AND METHOD,  
AND METHANOL PRODUCTION SYSTEM AND METHOD. Mitsubishi  
Heavy Industries, Ltd.
- 2604673** BIOMASS GASIFICATION GAS PURIFICATION METHOD. MITSUBISHI  
HEAVY INDUSTRIES, LTD.
- 2604683** ISOPROPYL ALCOHOL-PRODUCING BACTERIUM HAVING IMPROVED  
PRODUCTIVITY BY GNTR DESTRUCTION. Mitsui Chemicals, Inc.
- 2604688** VARIANT REVERSE TRANSCRIPTASE. Kyoto University
- 2604699** METHOD FOR MEASURING GLYCATED HEMOGLOBIN. Kyowa Medex  
CO., LTD.
- 2604712** A METHOD FOR TREATING LIQUID EFFLUENTS AND RECOVERING  
METALS. Vale S.A.
- 2605088** PLANT CONTROL SYSTEM. Mitsubishi Heavy Industries, Ltd.
- 2605312** POROUS MEMBRANE FOR SECONDARY BATTERY, PRODUCTION  
METHOD THEREFOR, AND USE THEREOF. Zeon Corporation
- 2605391** Power inverter. Hitachi, Ltd.
- 2605512** METHOD FOR INPUTTING DATA ON IMAGE DISPLAY DEVICE AND  
IMAGE DISPLAY DEVICE THEREOF. LG Electronics Inc.
- 2605590** METHODS AND APPARATUSES FOR FOR REPLACING A PRIMARY  
CELL, PCELL, IN A CARRIER AGGREGATION SYSTEM. China Academy  
of Telecommunications Technology
- 2605633** PANEL ARRANGEMENT FOR A HARVESTING MACHINE. AGCO
-

International GmbH

**2605636** COMBINATION DRIVEN AND IDLER SNAP ROLLS FOR CORN HEADER.

Agco Corporation

**2605661** STEAM COOKER. BSH Hausgeräte GmbH

**2605662** GEAR BOX WITH VARIABLY COUPLED OSCILLATION AND

ROTATION FOR KNEADING MACHINE. B&P Littleford LLC

**2605665** MOUTH-MOISTENING GUM COMPOSITIONS AND PRODUCTS

CONTAINING THE SAME. Intercontinental Great Brands LLC

**2605677** SOLE STRUCTURE WITH VISUAL EFFECTS. NIKE Innovate C.V.

**2605724** DELIVERY SYSTEM FOR COLLAPSIBLE HEART VALVE. St. Jude

Medical, LLC

**2605725** TIP FOR MEDICAL IMPLANT DELIVERY SYSTEM. St. Jude Medical, LLC

**2605732** IN SITU MOLDED ORTHOTIC AND METHOD FOR ITS FABRICATION.

Gordon, Christopher Burnside; Gordon, Pilar Reyna

**2605744** ORAL CARE PRODUCT AND METHODS OF USE AND MANUFACTURE

THEREOF. Colgate-Palmolive Company

**2605749** COMPOSITIONS COMPRISING PAULOWNIN AND/OR PAULOWNIA

EXTRACTS AND USES THEREOF. Johnson & Johnson Consumer Inc.

**2605806** RECYCLED RESIN COMPOSITIONS AND DISPOSABLE MEDICAL

DEVICES MADE THEREFROM. Becton, Dickinson and Company

**2605809** IMPLANTABLE BLOOD PUMP. TC1 LLC

**2605813** INTELLIGENT DRUG DELIVERY SYSTEM TO OPTIMIZING MEDICAL

TREATMENT OR THERAPY.. University of Florida Research Foundation, Inc.

**2605814** MEDICAL AUTO-INJECTION DEVICE FOR MANUAL NEEDLE

INSERTION HAVING NEEDLE SHIELD, DAMPING MECHANISM AND

AUDIBLE AND TACTILE FEEDBACK. Novo Nordisk A/S

**2605822** METHOD FOR THE STERILE CONNECTION OF FLEXIBLE TUBES.

Fresenius Kabi Deutschland GmbH

**2605828** AUTOMATED TREATMENT PLANNING FOR RADIATION THERAPY.

BOARD OF REGENTS, THE UNIVERSITY OF TEXAS SYSTEM

**2605829** FLEXIBLE LIGHT THERAPY DEVICE, A PLASTER AND A BANDAGE.

Koninklijke Philips N.V.

**2605894** DEVICE AND METHOD FOR MANUFACTURING AN ARCHED

ELEMENT. Glorieux, Jean Marc Gilles

**2605905** NON-COMBUSTIBLE COMPOSITE PANEL AND MANUFACTURING

METHOD. Alcoa Architectural Products SAS

**2605914** FLUID DELIVERY SYSTEM AND METHOD THEREOF. HP Indigo B.V.

**2605929** METHOD FOR OPERATING AN ELECTRIC VEHICLE. AVL List GmbH

---

- 
- 2605933** FITTING FOR A VEHICLE SEAT. Adient Luxembourg Holding S.à r.l.
- 2606012** ENHANCED STRENGTHENING OF GLASS BY ION EXCHANGE IN SODIUM BATH FOLLOWED BY ION EXCHANGE IN POTASSIUM BATH. Apple Inc.
- 2606026** PROCESS FOR SUPPLYING VAPOR FROM DRYING COLUMN TO LIGHT ENDS COLUMN. Celanese International Corporation
- 2606031** AUTOTAXIN INHIBITORS AND USES THEREOF. Amira Pharmaceuticals, Inc.
- 2606042** DISUBSTITUTED TETRAHYDROFURANYL COMPOUNDS AS BRADYKININ B1 RECEPTOR ANTAGONISTS. Boehringer Ingelheim International GmbH
- 2606067** ANTI-NGF ANTIBODIES AND THEIR USE. Zoetis Belgium S.A.
- 2606084** LIQUID COMPOSITION, RECORDING METHOD, AND RECORDED MATTER. Ricoh Company, Ltd.
- 2606111** METHOD FOR HAND WASHING DISHES HAVING LONG LASTING SUDS. The Procter & Gamble Company
- 2606113** AN EXTREME TEMPERATURE AQUEOUS DECONTAMINATION COMPOSITION. American Sterilizer Company
- 2606129** CRYSTAL STRUCTURE OF GLUTAMINYL CYCLASE. Probiodrug AG
- 2606137** ANTI-CANCER ADENOVIRUSES. Salk Institute For Biological Studies
- 2606142** PROCESS FOR THE INACTIVATION OF PROTEASES IN A FLUID OBTAINED FROM A CELL CULTURE BY PH SHIFT. Boehringer Ingelheim International GmbH
- 2606148** HELICASE DEPENDENT ISOTHERMAL AMPLIFICATION USING NICKING ENZYMES. Qiagen GmbH
- 2606155** PROBIOTIC COMPOSITION FOR ORAL HEALTH. AB-Biotics S.A.
- 2606156** IMPROVING TEREPHTHALIC ACID PURGE FILTRATION RATE BY CONTROLLING % WATER IN FILTER FEED SLURRY. GRUPO PETROTEMEX, S.A. DE C.V.
- 2606210** METHOD FOR OPERATING AN EXHAUST GAS TREATMENT DEVICE. Continental Automotive GmbH
- 2606221** HYDROELECTRIC POWER PLANT COMPRISING A SCREEN ARRANGEMENT. Technische Universität München
- 2606244** VERY HIGH STRENGTH SWIVEL ANCHOR. Mechanical Plastics Corp.
- 2606251** VISCOUS CLUTCH VALVE ASSEMBLY. Horton, Inc.
- 2606254** ELECTRIC DAMPER FOR A MOTOR VEHICLE. Audi AG
- 2606274** SURGICAL LAMP FOR BROADBAND AND NARROWBAND ILLUMINATION. Philips Lighting Holding B.V.
-

- 2606297** Refrigerator. BSH Hausgeräte GmbH
- 2606310** CAPACITIVE AND/OR INDUCTIVE DISTANCE MEASUREMENT. Trumpf Werkzeugmaschinen GmbH + Co. KG
- 2606322** DETECTION OF MOVING OBJECTS. OptaSense Holdings Limited
- 2606352** ASSAY FOR ANALYTES USING MULTIPLE RECEPTORS. Siemens Healthcare Diagnostics Inc.
- 2606361** A NOVEL METHOD FOR DIAGNOSING Q-FEVER USING A CELLULAR IMMUNOLOGICAL TEST. Stichting Katholieke Universiteit
- 2606413** FORCE AND TRUE CAPACITIVE TOUCH MEASUREMENT TECHNIQUES FOR CAPACITIVE TOUCH SENSORS. Microsoft Technology Licensing, LLC
- 2606416** HIGHLIGHTING OF OBJECTS ON A DISPLAY. Koninklijke Philips N.V.
- 2606423** UPDATE MANAGEMENT METHOD AND APPARATUS. Samsung Electronics Co., Ltd.
- 2606490** SYSTEM FOR X-RAY IRRADIATION OF TARGET VOLUME. Harel, Zeev; Convergent R.N.R Ltd
- 2606492** A METHOD FOR FABRICATING A FUNCTIONALLY-GRADED MONOLITHIC SINTERED WORKING COMPONENT FOR MAGNETIC HEAT EXCHANGE AND AN ARTICLE FOR MAGNETIC HEAT EXCHANGE. Vacuumschmelze GmbH & Co. KG
- 2606505** IONISATION METHOD FOR A UNIVERSAL GAS ANALYZER. Ionicon Analytik Gesellschaft m.b.H.
- 2606506** ION TRANSFER TUBE HAVING ELONGATE BORE SEGMENTS. Thermo Finnigan LLC
- 2606514** OPTOELECTRONIC SEMI-CONDUCTOR COMPONENT. Osram Opto Semiconductors GmbH
- 2606531** ELECTRICAL POWER TERMINAL. Delphi International Operations Luxembourg S.à r.l.
- 2606574** CAPACITIVE DISTANCE SENSOR. Brose Fahrzeugteile GmbH & Co. Kommanditgesellschaft, Bamberg
- 2606575** METHOD AND APPARATUS FOR TRANSPORT FORMAT SELECTION IN WIRELESS COMMUNICATION SYSTEM. Telefonaktiebolaget LM Ericsson (publ)
- 2606581** INTERFERENCE MANAGEMENT FOR DISTRIBUTED ANTENNA SYSTEMS. Hitachi, Ltd.
- 2606591** APERIODIC CHANNEL QUALITY INDICATOR REPORT IN CARRIER AGGREGATION. Qualcomm Incorporated
- 2606594** PHYSICAL UPLINK CONTROL CHANNEL RESOURCE ALLOCATION
-



- FOR MULTIPLE COMPONENT CARRIERS. Qualcomm, Inc.
- 2606600** INTERLEAVING FOR RELAY PHYSICAL DOWNLINK CONTROL CHANNEL (R-PDCCH). Qualcomm Incorporated
- 2606615** METHOD AND SYSTEM FOR LAYER-2 PSEUDO-WIRE RAPID-DEPLOYMENT SERVICE OVER UNKNOWN INTERNET PROTOCOL NETWORKS. YR20 Group, Inc.
- 2606635** A HOUSING FOR A CHIP CARD CAM. SmarDTV S.A.
- 2606663** A SYSTEM AND METHOD FOR WI-FI ROAMING. Time Warner Cable Enterprises LLC
- 2606670** METHODS OF POINT ASSOCIATION FOR COOPERATIVE MULTIPLE POINT TRANSMISSION. MediaTek Inc.
- 2606673** NODE AND METHOD FOR AoIP ADDRESS CHANGE. Telefonaktiebolaget LM Ericsson (publ)
- 2606677** RETRIEVAL OF USER EQUIPMENT CAPABILITIES BY APPLICATION SERVER. Samsung Electronics Co., Ltd.
- 2606681** METHOD FOR SMALL CELL DISCOVERY IN HETEROGENEOUS NETWORK. MediaTek Inc.
- 2606685** COMMUNICATION METHOD OF A TERMINAL AND AN ACCESS POINT FOR MULTI-USER TRANSMISSION OPPORTUNITY (TXOP) POWER SAVING. Samsung Electronics Co., Ltd.
- 2606690** METHOD TO MAINTAIN CALL CONTINUITY. BlackBerry Limited
- 2606700** TRAFFIC POLICING IN A WIRELESS COMMUNICATION NETWORK. Qualcomm Incorporated
- 2607094** METHOD FOR TWO DIMENSIONAL PRINTING IN A THREE DIMENSIONAL PRINTING SUPPORT. Bienzobás Saffie, Fernando Andrés
- 2607302** A METHOD FOR PRODUCING HYDROGEN FROM ETHANOL. Petroleo Brasileiro S.A. - PETROBRAS
- 2607307** PROCESS FOR PRODUCTION OF POLYCRYSTALLINE DIAMOND. Sumitomo Electric Industries, Ltd.
- 2607318** METHOD FOR PRODUCING DISPERSION OF RUTILE-TYPE TITANIUM OXIDE PARTICLES. Sakai Chemical Industry Co., Ltd.
- 2607326** ALKALI-FREE GLASS. Nippon Electric Glass Co., Ltd.
- 2607328** INTERLAYER FOR LAMINATED GLASS, AND LAMINATED GLASS. Sekisui Chemical Co., Ltd.; Asahi Glass Company, Limited
- 2607464** EXTREME PRESSURE AGENT FOR LUBRICANT OIL, AND LUBRICANT OIL COMPOSITION CONTAINING SAME. Adeka Corporation
- 2607559** EMERGENCY STEERING SYSTEM OF CONSTRUCTION EQUIPMENT. Doosan Infracore Co., Ltd.
-

- 2607800** HUMIDIFIER FOR FUEL CELL. Kolon Industries, Inc.
- 2608003** METHOD AND DEVICE FOR MOVEMENT OF IMAGE OBJECT. China Mobile Communications Corporation
- 2608004** METHOD AND DEVICE FOR MOVEMENT OF IMAGE OBJECT. China Mobile Communications Corporation
- 2608117** CONTACTLESS IC LABEL AND NAMEPLATE. Toppan Printing Co., Ltd.
- 2608244** FIELD EMISSION FLAT LIGHT SOURCE AND MANUFACTURING METHOD THEREOF. Ocean's King Lighting Science&Technology Co., Ltd.
- 2608413** DIGITAL PHASE LOCKED LOOP DEVICE AND METHOD IN WIRELESS COMMUNICATION SYSTEM. Konkuk University Industrial Cooperation Corp.; Samsung Electronics Co., Ltd.
- 2608520** Performing error notification and error recovery in an image forming apparatus. S-Printing Solution Co., Ltd.
- 2608540** METHOD AND APPARATUS FOR ENCODING VIDEO, AND DECODING METHOD AND APPARATUS. Electronics And Telecommunications Research Institute
- 2608547** APPARATUS AND METHOD FOR RECEIVING DIGITAL BROADCASTING SIGNAL. LG Electronics Inc.
- 2608616** MOBILE TERMINAL APPARATUS AND WIRELESS COMMUNICATION METHOD. NTT DoCoMo, Inc.
- 2608682** METHOD OF MAKING A SNACK BAR COMPRISING A LOW TEMPERATURE RICE PROTEIN CONCENTRATE. Danisco US Inc.
- 2608715** IMPLANTABLE BIOSENSOR DEVICE AND METHODS OF USE THEREOF. Microchips Biotech, Inc.
- 2608755** DEVICE FOR HEARING PROTECTION. Uvex Arbeitsschutz GmbH
- 2608881** CATALYST, METHOD OF MANUFACTURE AND USE THEREOF. University College Cardiff Consultants Ltd.
- 2608887** DEVICE FOR MICRONIZATION OF SOLID MATERIALS AND ITS USE. Lambano Trading Limited
- 2608958** PROCESS FOR THE SELECTION OF AN INTERLAYER FOR VIBRO-ACOUSTICAL DAMPENING, INTERLAYER AND GLAZING COMPRISING THE SAME. Saint-Gobain Glass France
- 2609048** VENEERING CERAMIC FOR DENTAL RESTORATIONS MADE OF YTTRIUM-STABILIZED ZIRCONIUM DIOXIDE AND METHOD FOR APPLYING SAID VENEERING CERAMIC. Fraunhofer-Gesellschaft zur Förderung der angewandten Forschung e.V.
- 2609124** CATALYST COMPONENTS FOR THE POLYMERIZATION OF OLEFINS. Basell Poliolefine Italia S.r.l.
-

- 
- 2609127** PREPARATION OF LLDPE HAVING CONTROLLED XYLENE SOLUBLES OR HEXANE EXTRACTABLES. Equistar Chemicals, LP
- 2609155** RECYCLING POLYAMIDE AIRBAGS. Rhodia Operations
- 2609173** FLAME PROTECTION AGENT COMPOSITIONS CONTAINING TRIAZINE INTERCALATED METAL PHOSPHATES. J.M. Huber Corporation
- 2609279** TUBULAR THREADED CONNECTION. VALLOUREC OIL AND GAS FRANCE; Nippon Steel & Sumitomo Metal Corporation
- 2609301** METHOD FOR CONTROLLING A TURBO SET. Siemens Aktiengesellschaft
- 2609411** METHOD FOR DETECTING MISFIRES IN INTERNAL COMBUSTION ENGINES, AND DETECTION DEVICE. AVL Software And Functions GmbH
- 2609417** TEMPERATURE MODULATED REFRACTIVE INDEX MEASUREMENT. Anton Paar OptoTec GmbH
- 2609449** PIXELLATED DETECTOR DEVICE. Koninklijke Philips N.V.
- 2609654** ELECTRIC CONNECTING TERMINAL AS WELL AS METHOD AND DEVICE FOR PRODUCING AN ELECTRIC CONNECTING TERMINAL. TE Connectivity Germany GmbH
- 2609662** CONTROL CIRCUIT FOR AN AUXILIARY POWER SUPPLY UNIT, AND POWER SUPPLY UNIT ARRANGEMENT. Fujitsu Limited
- 2609796** MULTI-LEVEL CIRCUIT BOARD FOR HIGH-FREQUENCY APPLICATIONS. Conti Temic microelectronic GmbH
- 2609803** BOX ENCLOSURE AND METHOD FOR PRODUCING SAME. Rohde & Schwarz GmbH & Co. KG
- 2609862** Determination of a center of rotation. FUJIFILM Corporation
- 2609888** Interventional medical device connector. Lifetech Scientific (Shenzhen) Co., Ltd.
- 2609946** Patch-like infusion device with shielding member. Becton, Dickinson and Company
- 2610031** Method for polishing silicon nitride and polycrystalline silicon. Fujimi Incorporated
- 2610276** SELF-CROSSLINKING POLYSILOXANE-MODIFIED POLYHYDROXY POLYURETHANE RESIN, RESIN MATERIAL CONTAINING SAME, METHOD FOR PRODUCING SAME, ARTIFICIAL LEATHER COMPRISING SAME, AND THERMOPLASTIC POLYOLEFIN SKIN MATERIAL COMPRISING SAME. DAINICHISEIKA COLOR & CHEMICALS MFG. CO., LTD.; Ukima Chemicals & Color Mfg. Co., Ltd.
- 2610298** METHOD FOR MANUFACTURING RUBBER COMPOSITION, RUBBER COMPOSITION, AND TIRE USING SAME. Bridgestone Corporation
- 2610337** METHOD FOR EXPANDING BLOOD ADULT STEM CELLS. Seoul National University R&DB Foundation
-

- 2610360** CO-BASED ALLOY. Tohoku University; Mitsubishi Hitachi Power Systems, Ltd.
- 2610362** CR-CONTAINING AUSTENITE ALLOY TUBE. Nippon Steel & Sumitomo Metal Corporation
- 2610495** OIL-COOLED GAS COMPRESSOR. Hitachi Industrial Equipment Systems Co., Ltd.
- 2610558** HEAT PUMP SYSTEM AND CONTROL METHOD OF HEAT PUMP APPARATUS OF HEAT PUMP SYSTEM. Mitsubishi Electric Corporation
- 2610662** MICROSCOPE OPTICAL ASSEMBLY AND MICROSCOPE SYSTEM. Nikon Corporation
- 2610721** METHOD AND DEVICE FOR EDITING LAYOUT OF OBJECTS. FUJIFILM Corporation
- 2610891** CHARGED PARTICLE BEAM DEVICE AND SAMPLE OBSERVATION METHOD. Hitachi High-Technologies Corporation
- 2610948** BATTERY SYSTEM, AND MANIFOLD ASSEMBLY COMPRISING TWO SEPARABLY COUPLED MANIFOLD MEMBERS. LG Chem, Ltd.
- 2610954** IMPROVED JELLY-ROLL STRUCTURE, AND SECONDARY BATTERY HAVING SAME. LG Chem, Ltd.
- 2611455** MATERIAL COMBINATION FOR TREATING INFLAMMATORY OR INFECTIOUS DISEASES. Robert Bosch Gesellschaft MbH Für Medizinische Forschung
- 2611604** MULTILAYER BODIES COMPRISING A SUBSTRATE LAYER AND A PLASTICS LAYER. Senoplast Klepsch & Co. GmbH
- 2611738** MICRONIZED CaCO<sub>3</sub> SLURRY INJECTION SYSTEM FOR THE REMINERALIZATION OF DESALINATED AND FRESH WATER. Omya International AG
- 2611756** METHOD FOR APPLYING DISCRIMINATING LAYER ONTO POROUS CERAMIC FILTERS VIA GAS-BORNE PREFABRICATED POROUS ASSEMBLIES. Dow Global Technologies LLC
- 2611768** ALKOXYLATION METHOD OF FATTY ACID ALKYL ESTERS. Kolb Distribution Ltd.
- 2611909** DIFFERENTIATION OF HUMAN EMBRYONIC STEM CELLS. Janssen Biotech, Inc.
- 2611910** DIFFERENTIATION OF HUMAN EMBRYONIC STEM CELLS. Janssen Biotech, Inc.
- 2611959** METHOD FOR CLEANING AN AIR PATH IN A WASHER/DRYER, AND WASHER/DRYER SUITABLE FOR THIS PURPOSE. BSH Hausgeräte GmbH
- 2612076** OPERATING DEVICE FOR A DOMESTIC APPLIANCE AND METHOD
-

- FOR OPERATING SUCH AN OPERATING DEVICE. BSH Hausgeräte GmbH
- 2612203** TONER, METHOD FOR PRODUCING THE TONER, AND IMAGE FORMING METHOD. Ricoh Company, Limited
- 2612248** METHOD AND APPARATUS FOR FUZZY STRIDE PREFETCH. Intel Corporation
- 2612319** METHOD AND APPARATUS FOR ADJUSTING DRIVE VALUES FOR DUAL MODULATION DISPLAYS. Dolby Laboratories Licensing Corporation
- 2612338** CIRCUIT BREAKER INTERRUPTER TRAVEL CURVE ESTIMATION. ABB Technology AG
- 2612348** METHOD OF MANUFACTURING P-DOPED SILICON LAYERS. Evonik Degussa GmbH
- 2612401** MODULAR ELECTRICAL CONNECTOR. TE Connectivity Germany GmbH; Tyco Electronics AMP Italia S.r.l.
- 2612460** OPTIMUM INTERLEAVER DESIGN FOR A COMMUNICATION SYSTEM. Marvell World Trade Ltd.
- 2612539** DOMESTIC APPLIANCE. BSH Hausgeräte GmbH
- 2612653** COMPOSITION FOR CLEANING SCALP AND HEAD HAIR. Otsuka Pharmaceutical Co., Ltd.
- 2612696** Method of filtering. Evoqua Water Technologies LLC
- 2612947** MANUFACTURING METHOD OF A HOT-DIP GALVANIZING STEEL. Nippon Steel & Sumitomo Metal Corporation
- 2613070** CONTROL DEVICE OF AUTOMATIC TRANSMISSION. Jatco Ltd; NISSAN MOTOR CO., LTD.
- 2613217** REACTION FORCE PEDAL DEVICE. Honda Motor Co., Ltd.
- 2613265** MOBILE TERMINAL, DATA DISTRIBUTION SERVER, DATA DISTRIBUTION SYSTEM, AND DATA DISTRIBUTION METHOD. NTT DoCoMo, Inc.
- 2613323** NUCLEAR REACTOR FUEL INTEGRITY MONITOR. Mitsubishi Heavy Industries, Ltd.
- 2613324** CRITICAL HEAT FLUX PREDICTION DEVICE, CRITICAL HEAT FLUX PREDICTION METHOD AND SAFETY EVALUATION SYSTEM. Mitsubishi Heavy Industries, Ltd.
- 2613392** BIPOLAR BATTERY. NISSAN MOTOR CO., LTD.
- 2613395** NONAQUEOUS ELECTROLYTE SECONDARY BATTERY. Adeka Corporation
- 2613396** SECONDARY BATTERY AND SECONDARY BATTERY ELECTROLYTE USED THEREIN. NEC Corporation
- 2613399** COOLING CONTROL APPARATUS AND METHOD FOR BATTERY PACK.
-

LG Chem, Ltd.

- 2613722** SYSTEM AND METHOD FOR PRESENTING INFORMATION REPRESENTATIVE OF LESION FORMATION IN TISSUE DURING AN ABLATION PROCEDURE. St. Jude Medical Atrial Fibrillation Division Inc.
- 2613812** RADIATION-RESISTANT MICROPOROUS MEMBRANE HAVING A HYDROPHOBICITY GRADIENT. Sartorius Stedim Biotech GmbH
- 2613976** METHOD FOR SECURING A BLADE ONTO A WIPER. Valeo Systèmes d'Essuyage
- 2613997** CONVEYOR UNIT AND CONVEYOR SYSTEM FOR CONVEYING VEHICLE BODIES AND PLANT FOR MACHINING VEHICLE BODIES. Eisenmann SE
- 2614049** PLEUROMUTILIN DERIVATIVES FOR USE IN THE TREATMENT OF DISEASES MEDIATED BY MICROBES. Nabriva Therapeutics GmbH
- 2615004** VEHICLE BRAKE DEVICE AND METHOD OF CONTROLLING VEHICLE BRAKE DEVICE. Bosch Corporation
- 2615134** RUBBER COMPOSITION AND PROCESS FOR PRODUCTION THEREOF, AND TIRE. JSR Corporation
- 2615316** IRON-BASED METAL BEARING CAP TO BE CAST INTO LIGHT METAL MEMBER. NISSAN MOTOR CO., LTD.
- 2615535** Mobile terminal and method of controlling the same. LG Electronics Inc.
- 2616318** Ship with a gangway. Wobben Properties GmbH
- 2616436** OXIDATION OF CYCLOHEXYLBENZENE. ExxonMobil Chemical Patents Inc.
- 2616567** METHOD OF THERMAL COATING. Bayerische Motoren Werke Aktiengesellschaft
- 2616831** CALIBRATION UNIT FOR A MEASURING DEVICE. Rohde & Schwarz GmbH & Co. KG
- 2616996** COMPACT COGNITIVE SYNAPTIC COMPUTING CIRCUITS. International Business Machines Corporation
- 2617237** METHODS AND DEVICES FOR PROVIDING INFORMATION IN A CELLULAR WIRELESS COMMUNICATION SYSTEM. Huawei Technologies Co., Ltd.
- 2617410** OIL-IN-WATER TYPE COSMETIC. FUJIFILM Corporation
- 2617595** HYBRID WORK VEHICLE. KCM Corporation
- 2619481** METHOD FOR ADAPTING A CHARACTERISTIC CURVE OF CLUTCHES IN A PARTIAL DOUBLE-CLUTCH TRANSMISSION OF A MOTOR VEHICLE. ZF Friedrichshafen AG
- 2619656** MICROCODE FOR TRANSPORT TRIGGERED ARCHITECTURE
-

- CENTRAL PROCESSING UNITS. The Boeing Company
- 2619691** METHOD AND APPARATUS FOR INFORMATION AGGREGATION AROUND LOCATIONS. Nokia Technologies Oy
- 2619862** A SCREWLESS COVER MECHANIZED WITH A LOCK. Elsteel Denmark A/S
- 2619975** METHOD FOR DIFFERENTIATING BACKGROUND AND FOREGROUND OF A SETTING AND METHOD FOR REPLACING A BACKGROUND IN IMAGES OF A SETTING. Fraunhofer-Gesellschaft zur Förderung der angewandten Forschung
- 2620808** ARRAY SUBSTRATE AND LIQUID CRYSTAL PANEL. Beijing BOE Optoelectronics Technology Co., Ltd.
- 2621060** WINDING STRUCTURE, ROTATING ELECTRIC MACHINE, AND ROTATING ELECTRIC MACHINE MANUFACTURING METHOD. NISSAN MOTOR CO., LTD.
- 2621774** PIPE FOR HEATING AND TRANSPORTING A WASHER FLUID FOR A WINDSCREEN WIPER ARM WITH TWO SPRAY LINES, WIPER DEVICE AND METHOD OF MANUFACTURE. Valeo Systèmes d'Essuyage
- 2622241** DUAL CLUTCH TRANSMISSION. ZF Friedrichshafen AG
- 2622749** MOBILE TERMINAL AND CONTROL METHOD THEREOF. LG Electronics Inc.
- 2622870** METHOD AND ARRANGEMENT FOR MONITORING AT LEAST ONE BATTERY, BATTERY HAVING SUCH AN ARRANGEMENT, AND MOTOR VEHICLE HAVING A CORRESPONDING BATTERY. Robert Bosch GmbH; SAMSUNG SDI CO., LTD.
- 2622915** TIMING ADVANCE CONFIGURATION FOR MULTIPLE UPLINK COMPONENT CARRIERS. Panasonic Intellectual Property Corporation of America
- 2623038** MEDICAL DEVICE. Terumo Kabushiki Kaisha
- 2624102** Data Transfer Method and System. Samsung Electronics Co., Ltd.
- 2624604** VEHICLE-MOUNTED DEVICE AND CONGESTION CONTROL METHOD. NEC Corporation
- 2624645** SUSPENDING AND RESUMING PACKET SWITCHED SERVICE. Spreadtrum Communications (Shanghai) Co., Ltd.
- 2625545** OPTICAL SHIELDING DEVICE FOR SEPARATING OPTICAL PATHS. Robert Bosch GmbH
- 2625693** POLYMER LAYER ON X-RAY WINDOW. Moxtek, Inc.
- 2625913** APPARATUS AND METHOD FOR CONTROLLING A WIRELESS FEEDER NETWORK. Airspan Networks Inc.
-

- 2626527** Exhaust gas cooler. GEA Heat Exchangers GmbH; Caterpillar Motoren GmbH & Co. KG
- 2627219** FURNITURE MEMBER POWERED HEADREST ROTATION AND RELEASE SYSTEM. LA-Z-BOY Incorporated
- 2630082** DEVELOPMENT OF THE BORIC ACID PRODUCTION PROCESS. Eti Maden Isletmeleri Genel Mudurlugu
- 2630468** APPARATUS AND METHOD FOR OPTICALLY DETECTING ANALYTES. Nokia Technologies Oy
- 2631301** Methods for determining a graft tolerant phenotype in a subject. The Board of Trustees of the Leland Stanford Junior University
- 2632767** DISPLAY DEVICE AND METHOD FOR DISPLAYING GRAPHICAL OBJECTS, IN PARTICULAR FOR MOTOR VEHICLES. Volkswagen AG
- 2635955** CONTROL OF VIRTUAL OBJECT USING DEVICE TOUCH INTERFACE FUNCTIONALITY. Sony Interactive Entertainment Inc.
- 2636359** IMAGING APPARATUS. Olympus Corporation
- 2637429** Call establishment to an active SIM card identifier in a mobile communications network. Telefónica Germany GmbH & Co. OHG
- 2637695** OLMESARTAN FORMULATIONS. Abdi Ibrahim Ilac Sanayi ve Ticaret Anonim Sirketi
- 2638695** VIDEO CODING METHODS AND APPARATUS. Sony Interactive Entertainment Inc.
- 2639974** NEAR FIELD COMMUNICATIONS (NFC) DEVICE HAVING ADJUSTABLE GAIN. NXP USA, Inc.
- 2642291** Enzyme triggered redox altering chemical elimination (E-trace) immunoassay. Ohmx Corporation
- 2644048** Footwear with a sole structure incorporating a lobed fluid-filled structure. NIKE Innovate C.V.
- 2644049** Method of manufacturing an article of footwear having an upper made of polymer and textile layers embroidered one to the other. NIKE Innovate C.V.
- 2650009** Screening methods using G-protein coupled receptors and related compositions. The General Hospital Corporation; Chugai Pharmaceutical Co., Ltd.
- 2651075** BACKUP METHOD AND DEVICE FOR TCP CONNECTION. Huawei Technologies Co., Ltd.
- 2656893** Filter cartridge and liquid filter assembly. DONALDSON COMPANY, INC.
- 2660294** INORGANIC DRY POWDER BUILDING COATING AND PREPARING METHOD THEREFOR. Qiangte Energy-Saving Materials Co. Ltd.
- 2661011** METHOD AND NETWORK DEVICE FOR DETECTING IP ADDRESS CONFLICT. Huawei Technologies Co., Ltd.
-



- 
- 2662519** SWING HINGE AND GRAVITY-CLOSING GATE ASSEMBLY. Intrepid Industries Inc.
- 2662964** Bidirectional DC-DC converter and control method thereof. Hitachi Information & Telecommunication Engineering, Ltd.
- 2662979** High-linearity low-noise receiver with load switching. Qualcomm Incorporated
- 2663027** Apparatus and method for sharing a bookmark with other user in a home network. Samsung Electronics Co., Ltd.
- 2663207** FOOTWEAR OUTSOLE. SR Holdings, LLC
- 2664013** LIGHT EMITTING DEVICE, LIGHT EMITTING MODULE, AND METHOD FOR MANUFACTURING LIGHT EMITTING DEVICE. Kabushiki Kaisha Toshiba
- 2665118** METHOD FOR PRODUCING FUEL CELL ELECTRODE CATALYST, FUEL CELL ELECTRODE CATALYST, AND APPLICATION THEREOF. Showa Denko K.K.
- 2666720** Aircraft moveable structure obstruction detection sensor panel. The Boeing Company
- 2667460** CONNECTOR. Japan Aviation Electronics Industry, Limited
- 2678087** DISK FILTER. Voith Patent GmbH
- 2679676** METHODS AND ORGANISMS FOR THE GROWTH-COUPLED PRODUCTION OF 1,4-BUTANEDIOL. Genomatica, Inc.
- 2679685** METHODS AND ORGANISMS FOR THE GROWTH-COUPLED PRODUCTION OF 1,4-BUTANEDIOL. Genomatica, Inc.
- 2679796** Intake assembly for an internal combustion engine. C.R.F. Società Consortile per Azioni
- 2680370** ELECTRIC CONNECTOR. Dai-Ichi Seiko Co., Ltd.
- 2683230** BOX ENCLOSURE. Rohde & Schwarz GmbH & Co. KG
- 2688236** Sample Selection and Intercell Interference Cancellation for Secondary Synchronization Signal (SSS) Detection. Qualcomm Incorporated
- 2690673** Terminal box. Hosiden Corporation
- 2690674** Terminal box. Hosiden Corporation
- 2690675** Terminal box. Hosiden Corporation
- 2691970** MODULAR ELECTRICAL SWITCH. Siemens Aktiengesellschaft
- 2692235** Clipping module drive device and method for moving a clipping module. Poly-clip System GmbH & Co. KG
- 2692564** Wind deflector device for cabriolet cars. iKON Fahrzeug Design und Engineering GbR; FKT GmbH
- 2692565** Wind deflector device for cabriolet cars. iKON Fahrzeug Design und Engineering GbR; FKT GmbH
-

- 2692903** Cellule de développement d'hydrogène avec poche pour cathode. VARTA  
Microbattery GmbH; Fraunhofer-Gesellschaft zur Förderung der angewandten  
Forschung e.V.
- 2692976** Movable unit. Haking, Hubertus
- 2693279** Method and program for generating a simulator. FUJITSU LIMITED
- 2693280** Street construction machine with measuring system and measuring method.  
Joseph Vögele AG
- 2693309** Input device with wireless headset function for portable terminal. Samsung  
Electronics Co., Ltd.
- 2693533** Electrode active material for secondary battery. LG Chem, Ltd.
- 2693584** Assembly with at least one superconducting cable. Nexans
- 2693613** Hybrid electric reluctance machine. Avila Cusicanqui, Oscar Rolando
- 2693665** Chromatic dispersion compensation in a coherent optical receiver. Alcatel Lucent
- 2693730** SYSTEM FOR AND METHOD OF TRANSMITTING COMMUNICATION  
INFORMATION. Samsung Electronics Co., Ltd.
- 2693780** Mobile terminal and controlling method thereof. LG Electronics Inc.
- 2693781** Centralized Data Store For Providing All Place-Related Data To Applications On  
A Mobile Device. BlackBerry Limited
- 2693806** METHOD AND GATEWAY FOR TRAFFIC OFFLOADING.  
Telefonaktiebolaget LM Ericsson (publ)
- 2695551** Cooking device. FRIMA-T SAS; FRIMA International AG
- 2695644** Exercise machine with movable user support. Hoist Fitness Systems, Inc.
- 2695660** Method of purifying gas streams derived from hydrogenation,  
hydrodeoxygenation or hydrocracking of fatty acids, their esters and glycerides.  
Neste Oyj
- 2695661** METHOD FOR REDUCING THE AMOUNT OF CO<sub>2</sub> USING A  
REGENERATABLE ION EXCHANGE MATERIAL. Omya International AG
- 2695668** Method for producing a thermoresponsive filtration membrane and  
thermoresponsive filtration membrane. Helmholtz-Zentrum Geesthacht Zentrum  
für Material- und Küstenforschung GmbH
- 2695695** Method for welding conduits. ARVOS GmbH
- 2695727** METHOD OF ACCELERATING THE CURING PROCESS IN RESIN  
OVERFLOW SYSTEMS FOR THE USE IN CASTING PROCESSES AND  
RESIN OVERFLOW CONTAINER. Siemens Aktiengesellschaft
- 2695796** Steering column assist system. Steering Solutions IP Holding Corporation
- 2695799** Pendulum/articulated construction machine. BOMAG GmbH
- 2695808** Required attentiveness indicator. ABB Research Ltd.
- 2695855** Hydrogen generator. Airbus Defence and Space GmbH
-

- 
- 2695923** Method for transparent bonding of transparent layers. PiOptix GmbH
- 2696033** Blade element of a turbomachine with a ductile compensation layer, corresponding turbomachine, methods of manufacturing of the blade element and of the turbomachine. MTU Aero Engines AG
- 2696034** Rotor blade assembly for a turbomachine and turbomachine. MTU Aero Engines AG
- 2696038** GUIDE VANE ROW FOR A TURBOMACHINE. MTU Aero Engines AG
- 2696048** Gauging of the residual capacity of a system for the storage and delivery of gaseous ammonia. Aaqius & Aaqius S.A.
- 2696062** Heat exchanger. MAHLE Behr GmbH & Co. KG
- 2696103** Chain for continuously variable transmission. JTEKT CORPORATION
- 2696105** Guide Device, Engine & Engine Assembly Method. Nissan Motor Manufacturing (UK) Ltd.
- 2696239** Color filter substrate, liquid crystal panel and liquid crystal display device. BOE Technology Group Co., Ltd.
- 2696247** Fusing unit and image forming apparatus including the same. Sang-A Frontec; S-Printing Solution Co., Ltd.
- 2696264** Electronic device including touch-sensitive display and method of detecting touches. BlackBerry Limited
- 2696288** Static tainting analysis system and method for taint analysis of computer program code. Synopsys, Inc.
- 2696305** METHOD AND DEVICE FOR FILE PROTECTION. Huawei Device Co., Ltd.
- 2696310** Method for identifying the edge of a road. Delphi Technologies, Inc.
- 2696338** Terminal and method for generating live image. Samsung Electronics Co., Ltd.
- 2696366** Device having reduced bias temperature instability (bti). General Electric Company
- 2696438** Antenna device, wireless communication device, and method of manufacturing antenna device. Murata Manufacturing Co., Ltd.
- 2696448** Electrical appliance with communication means mounted on a PCB. Berker GmbH & Co. KG
- 2696483** Electric motor with deactivation brake. Viking GmbH
- 2696488** Power supply circuit using DC/DC converter. NXP B.V.
- 2696490** AC/DC converter circuit. NXP B.V.
- 2696507** A method for improving signal accuracy of a transmitted or a received signal. Airbus Defence and Space GmbH
- 2696553** FILTERING NETWORK PACKETS IN MULTIPLE FORWARDING INFORMATION BASE SYSTEMS. BlackBerry Limited
- 2696626** Method and apparatus for transmitting and receiving reference signal in wireless
-

communication system. Samsung Electronics Co., Ltd.

- 2696634** METHOD AND APPARATUS FOR A WIRELESS COMMUNICATION UNIT OPERATING ON A VIRTUAL CARRIER. General Dynamics C4 Systems, Inc.
- 2696648** Changing a direct connection between a communication device and an access point into an indirect connection through an intermediary device. BlackBerry Limited
- 2698079** Mains-linked power supply unit. DewertOkin GmbH
- 2698137** Variable width hospital bed. Hill-Rom Services, Inc.
- 2698139** Walking frame. Wilsdorf, Gerd E.
- 2698149** Topical Aqueous Pharmaceutical Compositions of Flurbiprofen and Chlorhexidine. Sanovel Ilac Sanayi ve Ticaret A.S.
- 2698188** Catalytic filter module and catalytic filter system comprising same. Pall Corporation
- 2698190** Plugged Honeycomb Structure. NGK Insulators, Ltd.
- 2698191** Plugged honeycomb structure. NGK Insulators, Ltd.
- 2698201** Dehydrogenative silylation and crosslinking using cobalt catalysts. Momentive Performance Materials Inc.; Princeton University
- 2698253** Transfer film tensioning. Assa Abloy AB
- 2698310** Bicycle frame with deformable rear suspension. ORBEA, S. COOP.
- 2698331** Sheet conveying device and image forming apparatus. Ricoh Company, Ltd.
- 2698403** Surface modified pearlescent pigments and their use in powder coatings. Eckart GmbH
- 2698452** Creep-resistant environmental barrier coatings. General Electric Company
- 2698497** Window arrangement with an interior lining. ROTO FRANK AG
- 2698540** Sealing structure, vacuum pump motor including same sealing structure, and vacuum pump. EBARA CORPORATION
- 2698546** Four-state fluid cylinder, method of operating the same, and motor vehicle transmission. KNORR-BREMSE Systeme für Nutzfahrzeuge GmbH
- 2698554** Disc brake. Bendix Spicer Foundation Brake LLC
- 2698569** Regulation valve. Honeywell Technologies Sarl
- 2698570** Method for quantifying a leakage flow at a positioning device. Samson Aktiengesellschaft
- 2698588** Furnace for the removal of impurities from metal melts. MKM Mansfelder Kupfer und Messing GmbH
- 2698620** magnetic suspension density measuring device for use in hostile environments and related operating method. Farotto, Carlo
- 2698704** Method and device for displaying image. Samsung Electronics Co., Ltd.
- 2698742** Facial recognition similarity threshold adjustment. Google Inc.
-

- 
- 2698784** Electro-optic display. E Ink Corporation
- 2698792** An integrated system of conduits and associated items for the antimicrobial and anti-rodent protection of cables in an electrical distribution network. EMM. Kouvidis SA
- 2698831** Inkjet printable etch resist. Sun Chemical Corporation
- 2698865** Switching ferrite circulator with an electronically selectable operating frequency band. Honeywell International Inc.
- 2698874** Contact system with a press-fit contact. Robert Bosch GmbH
- 2698890** Busbar assembly. Rockwell Automation Technologies, Inc.
- 2698892** DC overcurrent protection device. DET International Holding Limited
- 2698906** Distributed winding arrangement for an electric motor. Black & Decker Inc.
- 2698912** METHOD AND APPARATUS FOR BYPASSING CASCADED H-BRIDGE (CHB) POWER CELLS AND POWER SUB CELL FOR MULTILEVEL INVERTER. Rockwell Automation Technologies, Inc.
- 2698926** Apparatus and method for generating gaussian pulse and ultra wideband communication apparatus for generating gaussian pulse. Samsung Electronics Co., Ltd.; Tsinghua University
- 2698944** Dynamic link adjustment method and link managing device. Huawei Technologies Co., Ltd.
- 2699018** A vehicle comprising a loudspeaker having a sound guide opening into a head rest of the vehicle. Harman Becker Gépkocsirendszer Gyártó Korlátolt Felelősségű Társaság
- 2699036** Channel Quality Reporting in a Mobile Communication System. Sun Patent Trust
- 2699057** Led controller circuit. Silergy Corp.
- 2700297** Current sensing of actuators on a round baler. CNH Industrial Belgium nv
- 2700300** Feed wheel of a wood handling unit and a feed wheel assembly. Waratah OM Oy
- 2700342** Shower tray panel. Gassmann, Urs
- 2700345** Vacuum cleaner with operating and display elements. Miele & Cie. KG
- 2700373** Machine learning in determining catheter electrode contact. Biosense Webster (Israel) Ltd.
- 2700426** Syringe with a rotatable bush. Transcoject GmbH
- 2700437** FUEL FILTER WITH BOTTOM COMPARTMENT FOR COLLECTING WATER, FILTERING CARTRIDGE FOR SUCH A FILTER AND METHOD OF PRODUCING SUCH A CARTRIDGE. SOGEFI FILTRATION
- 2700485** Method and apparatus for processing firewood. Regon AY
- 2700516** Tow bar. AL-KO Technology Austria GmbH
- 2700517** Wheeled or tracked vehicle with a mounted machine gun which fires shots in rapid sequence. Diehl Defence GmbH & Co. KG
-

- 2700523** Wind deflector for cabriolet vehicle. iKON Fahrzeug Design und Engineering GbR; FKT GmbH
- 2700599** Device and method for separating individual flat, flexible objects from the underside of a stack. Ferag AG
- 2700611** Adapter framework for traction battery and industrial truck with traction battery. STILL GmbH
- 2700715** Method for manufacturing L-amino acids using improved strains of the enterobacteriaceae family by means of fermentation. Evonik Degussa GmbH
- 2700758** Tub handle with integral overflow and out- and overflow fitting with such a tub handle. Viega Technology GmbH & Co. KG
- 2700774** STRIKER. MACO Technologie GmbH
- 2700783** Magnetic mechanism for venetian blinds actuation positioned in between double glazing with the use of a small DC electric motor. KOUPOURTIDIS, Stylianos
- 2700812** Variable length blade tip molds and methods for manufacturing the same. General Electric Company
- 2700834** Rolling bearing with dynamic pressure generating grooves formed in a raceway of a bearing ring. JTEKT CORPORATION
- 2700898** Acceleration device for the acceleration of a projectile. IABG Industrieanlagen-Betriebsgesellschaft mbH
- 2700899** Acceleration device for the acceleration of a projectile. IABG Industrieanlagen-Betriebsgesellschaft mbH
- 2700924** High temperature resistive temperature detector for exhaust gas temperature measurement. Unison Industries LLC
- 2701009** Paper conveying, jam detection method, and computer program. PFU LIMITED
- 2701084** Data retention management. The Boeing Company
- 2701100** Encoded information reading terminal including multiple encoded information reading devices. Hand Held Products, Inc.
- 2701221** IMPROVED VOLTAGE AND REDUCED POLARIZATION WITHIN ELECTROCHEMICAL CELLS. Rovcal, Inc.
- 2701263** Power management system that changes the operating conditions of a battery charger. KOHLER CO.
- 2701271** CHARGER. Makita Corporation
- 2701285** Motor stator with insulating portions provided with electric terminals. Mitsubishi Electric Corporation
- 2701376** Image processing apparatus and image processing method. Kyocera Document Solutions Inc.
- 2701390** Apparatus for adjusting displayed picture, display apparatus and display method. BOE Technology Group Co., Ltd.
-

- 
- 2701400** Speakers, headphones, and kits related to vibrations in an audio system, and methods for forming same. Skullcandy, Inc.
- 2701401** Loudspeaker assembly with dual electromagnet arrangements. Jenq, Cheng Yih
- 2702941** Ventilator synchronization indicator. General Electric Company
- 2703141** Improvements in or relating to prepreg materials. Hexcel Holding GmbH
- 2703205** Method for displaying and operating functional groups and/or functions and a display and operating device. Seat, S.A.
- 2703271** Storage structure of saddle riding type vehicle. Honda Motor Co., Ltd.
- 2703304** Method and device for filling packages. Focke & Co. (GmbH & Co. KG)
- 2703472** Liquid crystalline medium. Merck Patent GmbH
- 2703570** Inlet and overflow fitting for bath tubs and bath tubs equipped for the same. Viega Technology GmbH & Co. KG
- 2703573** Floor drain and sanitary tub or shower tray with such a floor drain. Viega Technology GmbH & Co. KG
- 2703626** Control methods and control apparatuses of internal-combustion engines. Kabushiki Kaisha Toyota Jidoshokki
- 2703799** Pressure sensor with differential capacitive output. NXP USA, Inc.
- 2703942** Heat dissipation device. Beijing BOE Optoelectronics Technology Co., Ltd.
- 2703964** Touch-control screen and mobile communications device. Huawei Device (Dongguan) Co., Ltd.
- 2704155** Radiation detecting apparatus and radiation imaging apparatus. GE Medical Systems Global Technology Company LLC
- 2704216** Flexible semiconductor devices and methods of manufacturing the same. Samsung Electronics Co., Ltd.
- 2704244** Electrolyte for rechargeable lithium battery and rechargeable lithium battery including the same. Samsung SDI Co., Ltd.
- 2704255** Multi-band frame antenna. Sony Mobile Communications, Inc.
- 2704262** Hermetic housing arrangement. Liebherr-Elektronik GmbH
- 2704313** Motor control device. KABUSHIKI KAISHA TOKAI RIKI DENKI SEISAKUSHO
- 2704334** Method for spatial-domain data modulation and transmitter using the same. Industrial Technology Research Institute
- 2704340** Time-shifting distribution of high definition audio data. Avago Technologies General IP (Singapore) Pte. Ltd.
- 2704407** Mobile Terminal and Controlling Method Thereof. LG Electronics Inc.
- 2704522** Domestic appliance. BSH Hausgeräte GmbH
- 2705750** Drag hose unit. Lemken GmbH & Co. KG
- 2705946** Method for permanent insertion of a profile insert inserted into a recess in the
-

- tread of a pneumatic tyre for a vehicle. Continental Reifen Deutschland GmbH
- 2705951** Transparent laminate which inhibits puncture by projectiles. Schott AG
- 2706005** Motor drive controller and power-assisted vehicle. TAIYO YUDEN CO., LTD.
- 2706103** Method for gasification of a charge of carbonated material with improved efficiency. COMMISSARIAT À L'ÉNERGIE ATOMIQUE ET AUX ÉNERGIES ALTERNATIVES
- 2706126** Ni base forged alloy and gas turbine utilizing the same. Mitsubishi Hitachi Power Systems, Ltd.
- 2706240** Guide vane assembly. Rolls-Royce plc
- 2706241** Rotor blade stage. Rolls-Royce plc
- 2706404** Liquid crystal display apparatus. InnoLux Corporation
- 2706627** Power cord. Panasonic Intellectual Property Management Co., Ltd.
- 2706731** Systems and methods for load balancing using predictive routing. Verisign, Inc.
- 2707277** DEVICE FOR THE PREVENTION OF FOULING ON A SURFACE IMMersed IN WATER. Harteel BVBA
- 2708692** Fitting for concealed mounting in the rabbet between a wing and a frame of a window, a door or the like. Wilh. Schlechtendahl & Söhne GmbH & Co. KG
- 2709096** Shift register unit circuit, shift register, array substrate and display apparatus. Beijing BOE Optoelectronics Technology Co., Ltd.
- 2709290** Receiving Apparatus and Communication Apparatus, and Communication System. Renesas Electronics Corporation
- 2709425** Lighting apparatus and lighting apparatus assembly using the same. Panasonic Intellectual Property Management Co., Ltd.
- 2710954** Magnetic resonance imaging (mri) apparatus and control method thereof. Samsung Electronics Co., Ltd.
- 2711590** Drive gear. Shimano Inc.
- 2711637** Space heating. Wallner, Markus
- 2712018** Protection apparatus for secondary battery. Samsung SDI Co., Ltd.
- 2712118** METHOD AND SYSTEM FOR MANAGING DEVICES IN BATCHES. Huawei Device Co., Ltd.
- 2712155** Mobile terminal and controlling method thereof. LG Electronics, Inc.
- 2712237** CONTROLLING A TERMINAL DEVICE TO ACCESS WIRELESS NETWORK. Huawei Device Co., Ltd.
- 2713145** Coriolis mass flowmeter. Krohne AG
- 2713199** Color filter substrate and fabrication method thereof, transfective liquid crystal display device. BOE Technology Group Co., Ltd.
- 2713423** Battery module having a connecting element in omega form for the electrical connection of battery cells. ROBERT BOSCH GMBH
-



- 
- 2716180** Height-adjustable office desk in particular for monitor screen work places.  
Fleischer Büromöbelwerk GmbH & Co. KG
- 2716398** Laser processing apparatus comprising an optical system. MITSUBISHI HEAVY INDUSTRIES, LTD.
- 2717586** Liquid crystal grating panel, stereo display device and display method thereof.  
BOE Technology Group Co., Ltd.
- 2717633** SCHEDULING GRANT DETERMINATION METHOD AND USER EQUIPMENT. ZTE Corporation
- 2719873** Exhaust system with conduit element. Eberspächer Exhaust Technology GmbH & Co. KG
- 2721332** POPPET VALVE. Mitsubishi Heavy Industries, Ltd.
- 2721619** DEVICE AND METHOD FOR COOLING A UNIT. Siemens Aktiengesellschaft
- 2721803** METHOD AND DEVICE FOR SECURELY CONFIGURING A NETWORK DEVICE. Siemens Aktiengesellschaft
- 2721858** METHOD AND SYSTEM FOR UPLINK INTERFERENCE MANAGEMENT IN HETEROGENEOUS CELLULAR NETWORKS. BlackBerry Limited
- 2722383** A GASOLINE COMPOSITION AND ITS PREPARATION METHOD. Hunan Zhongchuang Chemical Co., Ltd
- 2722792** Image processing device, image processing method, and storage medium storing image processing program. FUJITSU LIMITED
- 2724742** CONVERSION OF NITROGEN DIOXIDE (NO<sub>2</sub>) TO NITRIC OXIDE (NO).  
Geno LLC
- 2724821** Power tool. Panasonic Intellectual Property Management Co., Ltd.
- 2724929** Device for shock-proof door or porthole assembly on naval ships. ThyssenKrupp Marine Systems GmbH
- 2725639** SECONDARY BATTERY PACK. LG Chem, Ltd.
- 2725727** Channel quality index determination. Telefonaktiebolaget LM Ericsson (publ)
- 2725750** QUEUE SCHEDULING METHOD AND DEVICE. Huawei Technologies Co., Ltd.
- 2725853** UPLINK POWER CONTROL METHOD, BASE STATION AND USER EQUIPMENT. Huawei Technologies Co., Ltd.
- 2726357** OPERATOR CONTROL DEVICE. Siemens Aktiengesellschaft
- 2727392** DISTRIBUTED POSITIONING MECHANISM FOR WIRELESS COMMUNICATION DEVICES. Qualcomm Incorporated
- 2728545** IMAGE PROCESSING METHOD AND DEVICE BASED ON BAYER FORMAT. Spreadtrum Communications (Shanghai) Co., Ltd.
- 2728649** SECONDARY BATTERY PACK. LG Chem, Ltd.
- 2728782** PHYSICAL HYBRID AUTOMATIC REPEAT REQUEST INDICATOR
-

- CHANNEL ALLOCATION METHOD AND DEVICE AND USER EQUIPMENT. Huawei Technologies Co., Ltd.
- 2728858** RECEIVING APPARATUS AND RECEIVING METHOD THEREOF. Samsung Electronics Co., Ltd.
- 2728928** METHOD, BASE STATION AND USER EQUIPMENT FOR TRANSMITTING SCHEDULING INFORMATION. Huawei Technologies Co., Ltd.
- 2728936** METHOD, DEVICE AND SYSTEM FOR TRANSMITTING INFORMATION. Huawei Technologies Co., Ltd.
- 2728939** CELL MEASUREMENT METHOD AND DEVICE. Huawei Technologies Co., Ltd.
- 2728956** RESOURCE SCHEDULING METHOD, WIRELESS ACCESS EQUIPMENT AND COMMUNICATION SYSTEM. Huawei Technologies Co., Ltd.
- 2728961** METHOD AND EQUIPMENT FOR DETECTING AND TRANSMITTING INFORMATION. Huawei Technologies Co., Ltd.
- 2728962** MOBILE CELLULAR NETWORK BASED ON LAYERED CLOUD COMPUTING. Huawei Technologies Co., Ltd.
- 2729422** VACUUM GLASS SEALING METHOD AND DEVICE. Luoyang Landglass Technology Co., Ltd.
- 2730024** ASYNCHRONOUS SWITCH MODE SUPPLY. SnapTrack, Inc.
- 2731385** Control processing method of energy-saving cell and base station. China Academy of Telecommunications Technology
- 2732494** ELECTROCHEMICAL CELL. Siemens Aktiengesellschaft
- 2733180** IR absorbing coatings comprising fluorinated nanoparticles. The Boeing Company
- 2733775** SECONDARY BATTERY PACK. LG Chem, Ltd.
- 2734162** DEVICE FOR THE INSERTION OF AN EAR PRESSURE EQUALIZING TUBE. GYRUS ACMI, INC.
- 2735047** METHOD FOR DRY PRODUCTION OF A MEMBRANE-ELECTRODE UNIT, MEMBRANE-ELECTRODE UNIT AND ROLLER ASSEMBLY. Siemens Aktiengesellschaft
- 2735600** NEMATIC LIQUID CRYSTAL COMPOSITION AND LIQUID CRYSTAL DISPLAY ELEMENT USING SAME. DIC Corporation
- 2736085** Nitride semiconductor device, nitride semiconductor wafer, and method for forming nitride semiconductor layer. Kabushiki Kaisha Toshiba
- 2739114** METHOD AND DEVICE FOR IMPLEMENTING SYNCHRONIZATION AND PERCEPTION BETWEEN USER EQUIPMENT. Huawei Technologies Co., Ltd.
-

- 
- 2739118** Electronic induction heating cooker and output level control method thereof. LG Electronics Inc.
- 2739131** RETRACTABLE ROOF. Volco Inc.
- 2739183** ERGONOMIC SEATING ASSEMBLIES AND METHODS. Cramer LLC
- 2739188** DEVICE FOR ORIENTING CAPSULES IN A BEVERAGE PRODUCING MACHINE. SAGA COFFEE S.p.A.
- 2739230** MANIPULATOR SYSTEM. Olympus Corporation
- 2739260** USE OF CANNABINOID COMPOUNDS FOR STIMULATING MELANOGENESIS. L'OREAL
- 2739262** USE OF A CB1 RECEPTOR ANTAGONIST AS A WHITENING AND/OR ANTI-BROWNING AGENT FOR KERATIN MATERIAL. L'OREAL
- 2739292** MEANS FOR LIVER REGENERATION. ETHIANUM Betriebsgesellschaft mbH & Co. KG; Hopp Stiftung GmbH
- 2739312** A BROADLY NEUTRALIZING HUMAN ANTIBODY THAT RECOGNIZES THE RECEPTOR-BINDING POCKET OF INFLUENZA HEMAGGLUTININ. Children's Medical Center Corporation; Duke University
- 2739339** PROTECTION AND ACCOMODATION SYSTEM FOR DEVICES FOR DELIVERING TREATMENT TO A PATIENT. Gugliotta, Filippo
- 2739361** PROTECTIVE GARMENT WITH VENT FEATURES. Lion Group Inc.
- 2739367** INTERACTIVE ELECTRONIC LABYRINTH GAME PLAYED ON A FULL-SCALE PLAY AREA. Trouvilliez, Bernard
- 2739413** METHOD AND APPARATUS FOR MAKING CONCRETE REINFORCEMENT CAGES AND PRODUCT OBTAINED THEREBY. Schnell S.p.A.
- 2739455** METHOD AND DEVICE FOR PRODUCING, FILLING, AND CLOSING BAGS, AND A BAG. Windmüller & Hölscher KG
- 2739464** SYSTEMS AND METHODS FOR FORMING LAMINATES WITH PATTERNED MICROWAVE ENERGY INTERACTIVE MATERIAL. Graphic Packaging International, Inc.
- 2739465** NUCLEAR FUEL CLADDING MADE FROM CERAMIC-MATRIX COMPOSITE MATERIAL AND ASSOCIATED PRODUCTION METHOD. Commissariat à l'Énergie Atomique et aux Énergies Alternatives
- 2739475** OPTICALLY CLEAR BIAXIALLY ORIENTED POLYESTER FILM WITH ANTI-IRIDESCENT PRIMER LAYER. TORAY PLASTICS (AMERICA) INC.
- 2739476** DOCTOR BLADE. PrimeBlade Sweden AB
- 2739503** GUIDE RAIL OF A LONGITUDINAL ADJUSTMENT OF A MOTOR VEHICLE SEAT. Adient Luxembourg Holding S.à r.l.
- 2739527** AUTONOMOUS INTELLIGENCE SURVEILLANCE RECONNAISSANCE
-

AND PAYLOAD DELIVERY SYSTEM WITH FLUID FILLING SYSTEM.

Silicis Technologies Inc.

- 2739553** APPARATUS AND METHOD FOR STACKING CORRUGATED SHEET MATERIAL. Alliance Machine Systems International, LLC
- 2739562** ELIMINATION OF SILICON RESIDUES FROM MEMS CAVITY FLOOR. Cavendish Kinetics, Inc.
- 2739602** METHOD FOR PRODUCING RING-HALOGENATED N,N-DIALKYL BENZYLAMINES. LANXESS Deutschland GmbH
- 2739605** PROCESS FOR THE PREPARATION OF CRYSTALLINE FORM I OF AGOMELATINE. Laboratorio Chimico Internazionale S.p.A.
- 2739638** COMPOSITIONS AND METHODS RELATING TO NUCLEIC ACID NANO- AND MICRO-TECHNOLOGY. President and Fellows of Harvard College
- 2739653** METHODS OF POLYMERIZING SILANES AND CYCLOSILANES USING N-HETEROCYCLIC CARBENES AND METAL COMPLEXES HAVING N-HETEROCYCLIC CARBENE LIGANDS. Thin Film Electronics ASA
- 2739717** HARDWARE FOR MAGNETIC 3D CULTURE. Nano3d Biosciences, Inc.
- 2739722** BUTANOL FERMENTATION USING ACID PRETREATED BIOMASS. Reliance Industries Limited
- 2739733** NUCLEIC ACID COMPOSITIONS, METHODS AND KITS FOR RAPID PAIRING OF AFFINITY AGENTS. Texas Biomedical Research Institute
- 2739738** USE OF INTEGRASE FOR TARGETED GENE EXPRESSION. Ramot at Tel Aviv University, Ltd.
- 2739750** CARDIOVASCULAR DISEASE. Gendiag.exe, S.L.
- 2739756** METHOD FOR REDUCING ACRYLAMIDE FORMATION IN MAKING OF MOLASSES. Frito-Lay North America, Inc.
- 2739806** DEVICE FOR OPENING THE CABINET DOOR OF A CABINET BODY. Dongtai Hardware Precision (Hong Kong) Limited
- 2739849** A DRIVE ARRANGEMENT FOR A WIND TURBINE. Moventas Gears UK Limited
- 2739853** HUMAN POWERED IRRIGATION DIAPHRAGM PUMP. Flow Control LLC.
- 2739893** LINE STOP FLANGE. Dresser, Inc.
- 2739954** GAS FLUX MEASUREMENT USING TRAPS. Chevron U.S.A. Incorporated; Colorado State University Research Foundation
- 2739972** METHOD OF IDENTIFYING AGENTS THAT AFFECT MATURATION, SURVIVAL AND MYELINATION. Kadimastem Ltd.
- 2739986** MULTI-PATH MITIGATION IN RANGE FINDING AND TRACKING OBJECTS USING REDUCED ATTENUATION RF TECHNOLOGY. PoLTE Corporation
-

- 
- 2739998** METHOD FOR MANUFACTURING A MIRROR COMPRISING AT LEAST ONE CAVITY AND OPTICAL MIRROR. Fraunhofer-Gesellschaft zur Förderung der angewandten Forschung e.V.
- 2740156** MAINTENANCE MANAGEMENT SYSTEMS AND METHODS. Fluke Corporation
- 2740178** ELECTROLYTE FOR LITHIUM-BASED ENERGY STORES. Westfälische Wilhelms-Universität Münster
- 2740227** METHOD AND APPARATUS FOR INCREASING THE CHANNEL CAPACITY OF A BANDWIDTH LIMITED COMMUNICATIONS PATH. Kelquan Holdings Limited
- 2740231** ALLOCATING PHYSICAL HYBRID ARQ INDICATOR CHANNEL (PHICH) RESOURCES. Qualcomm Incorporated
- 2740256** MOVING DIRECTION DETERMINATION WITH NOISY SIGNALS FROM INERTIAL NAVIGATION SYSTEMS ON MOBILE DEVICES. Google LLC
- 2740267** RECEPTION APPARATUS, METHOD, COMPUTER PROGRAM, AND INFORMATION PROVIDING APPARATUS FOR PROVIDING AN ALERT SERVICE. Saturn Licensing LLC
- 2740290** JOINT TRANSMISSION USING INTERFERENCE ALIGNMENT. BlackBerry Limited
- 2740301** METHOD AND SYSTEMS FOR POWER SAVINGS BY CONTROLLING A FIRST RADIO BASED ON A SECOND RADIO. Qualcomm Incorporated
- 2740322** PLASMA ARC FURNACE AND APPLICATIONS. Stuart, Martin A.; Cunningham, Stephen Lee
- 2740397** WIRE-PULLING MECHANISM AND ENDOSCOPIC APPARATUS. Olympus Corporation
- 2740496** ANTI-ADHESION MEMBRANE. Gunze Limited
- 2740622** Roof system for a vehicle. Inalfa Roof Systems Group B.V.
- 2740628** INSTRUMENT PANEL STRUCTURE. TOYOTA JIDOSHA KABUSHIKI KAISHA
- 2740643** HYBRID VEHICLE AND METHOD FOR CONTROLLING SAME. TOYOTA JIDOSHA KABUSHIKI KAISHA
- 2740678** BEVERAGE FILLING METHOD AND DEVICE. Dai Nippon Printing Co., Ltd.
- 2740697** SHEET EJECTION DEVICE AND SHEET EJECTION METHOD. Komori Corporation
- 2740722** FLUOROALKANESULFONIC ACID PRODUCTION METHOD. Central Glass Company, Limited
- 2740742** FUSION GENE OF KIF5B GENE AND RET GENE, AND METHOD FOR
-

DETERMINING EFFECTIVENESS OF CANCER TREATMENT

TARGETING FUSION GENE. National Cancer Center

**2740910** DEVICE FOR CONTROLLING INTERNAL COMBUSTION ENGINE.

TOYOTA JIDOSHA KABUSHIKI KAISHA

**2740977** SWITCHING VALVE. Toyota Jidosha Kabushiki Kaisha

**2741109** PET DEVICE AND IMAGING METHOD THEREFOR. Riken

**2741136** HANDWRITING ELECTRONIC PAPER DISPLAY AND METHOD FOR

MANUFACTURING SAME. BOE Technology Group Co., Ltd.

**2741254** COLOR DETERMINATION DEVICE, COLOR DETERMINATION SYSTEM,

COLOR DETERMINATION METHOD, INFORMATION RECORDING

MEDIUM, AND PROGRAM. Rakuten, Inc.

**2741316** EPITAXIAL WAFER MANUFACTURING DEVICE AND

MANUFACTURING METHOD. Showa Denko K.K.

**2741537** COMMUNICATION SYSTEM, TERMINALS AND BASE STATION. Sharp

Kabushiki Kaisha

**2741577** ORGANIC ELECTROLUMINESCENT LIGHT EMITTING DEVICE AND

METHOD FOR MANUFACTURING SAME. Mitsubishi Chemical Corporation

**2741603** CONTROL FEEDER WITH LEVEL SENSOR. The GSI Group, Llc

**2741613** NOVEL SOURDOUGH COMPOSITIONS AND METHODS FOR THEIR

PREPARATION. Puratos N.V.

**2741669** BED EXIT MONITORING APPARATUS. Koninklijke Philips N.V.

**2741701** SYSTEM COMPRISING A BONE PLATE AND A BONE SCREW. Wolter,

Dietmar

**2741717** EVERTABLE SHEATH DEVICES AND SYSTEMS. W.L. Gore & Associates,

Inc.

**2741721** WETNESS SENSORS. 3M Innovative Properties Company

**2741736** TASTE MASKED PHARMACEUTICAL COMPOSITION. Boehringer

Ingelheim Vetmedica GmbH

**2741755** TREATMENT OF PERIPHERAL VASCULAR DISEASE USING

UMBILICAL CORD TISSUE-DERIVED CELLS. DePuy Synthes Products, Inc.

**2741765** INJECTABLE SOLUTION OF AT LEAST ONE TYPE OF BASAL INSULIN.

Adocia

**2741802** CONDUIT CONNECTOR FOR A PATIENT BREATHING DEVICE.

Fisher&Paykel Healthcare Limited

**2741809** METHOD FOR COATING DEVICES USING ELECTROSPINNING AND

MELT BLOWING. Cardiac Pacemakers, Inc.

**2741826** NOVEL COMPOSITION. GlaxoSmithKline Consumer Healthcare (UK) IP

Limited

---

- 
- 2741827 CHEMICAL PROTECTIVE GARMENT. W.L. Gore & Associates (UK) Ltd.
- 2741875 DIE CASTING MACHINE AND DIE CASTING METHOD. Baumgartner, Heinrich G.
- 2741913 METALLIZED POLYETHYLENE LAMINATES. Essel Propack Limited
- 2741944 BRAKE CONTROLLER FOR A VEHICLE. Bombardier Transportation GmbH
- 2741945 BRAKE SYSTEM HAVING AN ELECTROMAGNETIC TRACK BRAKE DEVICE. KNORR-BREMSE Systeme für Schienenfahrzeuge GmbH
- 2741996 METHOD FOR PRODUCING HYDROGEN FROM BIOGAS. L'Air Liquide Société Anonyme pour l'Etude et l'Exploitation des Procédés Georges Claude
- 2742007 MOBILE WATER TREATMENT AND RESIN TRANSFER HUB. General Electric Company
- 2742020 N1-CYCLIC AMINE-N5-SUBSTITUTED BIGUANIDE DERIVATIVES, METHODS OF PREPARING THE SAME AND PHARMACEUTICAL COMPOSITION COMPRISING THE SAME. Immunomet Therapeutics Inc.
- 2742057 COMPOSITIONS AND METHODS FOR SPECIFIC REGULATION OF PYRUVATE DEHYDROGENASE KINASE. The Board of Trustees of The Leland Stanford Junior University
- 2742069 AMPHIPATHIC PEPTIDE-LIPASE CONJUGATE HAVING ADVANCED LIPASE ACTIVITY AND USE THEREOF. Korea Advanced Institute of Science and Technology; Intelligent Synthetic Biology Center
- 2742083 POLYARYLENE ETHER KETONES. Solvay Specialty Polymers USA, LLC.
- 2742092 FILLED POLYMER COMPOUND AND COEXTRUDED BOARD CREATED USING SAME. Covestro Deutschland AG
- 2742100 SURFACE-TREATED CALCIUM CARBONATE FOR BINDING AND BIOREMEDIATING HYDROCARBON-CONTAINING COMPOSITIONS. Omya International AG
- 2742108 OPTICAL TRANSPARENT DUAL CURE ADHESIVES COMPOSITION. Henkel AG & Co. KGaA; Henkel IP & Holding GmbH
- 2742122 FILTERING APPARATUS AND METHOD FOR MIXING, EXTRACTION AND/OR SEPARATION. Technical University of Denmark
- 2742123 ISOLATION AND DETECTION OF CANCER CELLS. The Henry M. Jackson Foundation for the Advancement of Military Medicine, Inc.
- 2742130 POLYPEPTIDES HAVING PEROXYGENASE ACTIVITY AND POLYNUCLEOTIDES ENCODING SAME. Novozymes A/S
- 2742133 MPHOSPHI PEPTIDES AND VACCINES INCLUDING THE SAME. Oncotherapy Science, Inc.
- 2742151 POLYMERASE COMPOSITIONS. Life Technologies Corporation
- 2742155 BIOMARKER FOR ALZHEIMER'S DISEASE AND/OR MILD
-

- COGNITIVELY IMPAIRMENT. Advanced Genomic Technology LLC
- 2742185** SYSTEM AND METHOD FOR RECOVERING ENERGY AND LEVELING HYDRAULIC SYSTEM LOADS. Eaton Corporation
- 2742187** WATER SUPPLY SYSTEM COMPRISING A VENTURI PIPE. Airbus Operations GmbH
- 2742188** APPLICATOR FOR GEL-LIKE WC-CLEANING PRODUCTS DIRECTLY ON THE SURFACE OF THE WC BOWL. Henkel AG & Co. KGaA
- 2742190** STRUCTURAL ELEMENT FOR HEAT-INSULATING PURPOSES. SCHÖCK BAUTEILE GmbH
- 2742210** CUTTER TOOL. Esco Hydra (UK) Limited
- 2742225** PISTON. Mahle International GmbH
- 2742234** METHOD FOR MANUFACTURING A ROTOR BLADE OF A WIND POWER PLANT, WEB PACKAGE, ROTOR BLADE AND WIND POWER PLANT. Senvion GmbH
- 2742235** WIND POWER PLANT AND METHOD OF CONTROLLING WIND TURBINE GENERATOR IN A WIND POWER PLANT. Vestas Wind Systems A/S
- 2742242** PUMP WITH DOUBLE-SUCTION IMPELLER GENERATING AXIAL THRUST. ITT Manufacturing Enterprises LLC
- 2742266** FLUID VALVES HAVING MULTIPLE FLUID FLOW CONTROL MEMBERS. Fisher Controls International LLC
- 2742275** METHOD OF FILLING A GAS STORAGE TANK. Coldway
- 2742308** ICE STORAGE WITH A SANITATION SYSTEM AND METHOD OF SANITIZING FOR ICE STORAGE AND DISPENSING EQUIPMENT. Manitowoc Foodservice Companies, LLC
- 2742320** OPTOELECTRONIC METHOD AND DEVICE FOR MEASURING THE INNER DIAMETER OF A HOLLOW BODY. Tiama
- 2742333** WIND TURBINE DRIVE TRAIN TEST ASSEMBLY. MTS Systems Corporation
- 2742352** DETECTION OF SEX STEROIDS. Siemens Healthcare Diagnostics Inc.
- 2742353** DEVICE FOR PERFORMING AN ASSAY. Molecular Vision Limited
- 2742394** REGULATORS HAVING AN ISOLATED LOADING CHAMBER AND BLOWOUT PREVENTION APPARATUS. Tescom Corporation
- 2742427** SYSTEM FOR ENERGY SAVING IN COMPANY DATA CENTRES. Consiglio Nazionale Delle Ricerche; Universita' Della Calabria
- 2742489** PERSONAL IDENTIFICATION SYSTEM. G4S Monitoring Technologies Limited
- 2742493** APPARATUS FOR HANDLING VALUE DOCUMENTS. Giesecke+Devrient
-



Currency Technology GmbH

- 2742520** METHOD FOR PRODUCING A CONTACT HOLDER. Eaton Industries (Austria) GmbH
- 2742522** TRIGGER FOR A CIRCUIT BREAKER. Eaton Industries (Austria) GmbH
- 2742542** SYSTEMS AND METHODS OF ANTENNA ORIENTATION IN A POINT-TO-POINT WIRELESS NETWORK. Aviat Networks, Inc.
- 2742555** CONTROL SYSTEM FOR A SEALED COOLANT FLOW FIELD FUEL CELL POWER PLANT HAVING A WATER RESERVOIR. Audi AG
- 2742556** CONDITIONING OF CABIN AIR OF AN AIRCRAFT. Airbus Defence and Space GmbH
- 2742562** ELECTRIC CONTACT SPRING, ELECTRIC SPRING CONTACT DEVICE AS WELL AS ELECTRIC CONTACT ZONE. TE Connectivity Germany GmbH
- 2742577** FEED SYSTEM, FEED UNIT, AND ELECTRONIC UNIT. Sony Corporation
- 2742580** CYCLO REDUCER ARRANGEMENT. Mol Belting Systems, Inc.
- 2742590** HVAC MOTOR LOAD BALANCING. Carrier Corporation
- 2742615** METHOD FOR REPORTING CAPABILITY INFORMATION AND DUAL MODE USER EQUIPMENT ADAPTED THERETO. Samsung Electronics Co., Ltd.
- 2742640** ALLOCATING RESOURCES AND TRANSMITTING DATA IN MOBILE TELECOMMUNICATION SYSTEMS COMPRISING MACHINE TYPE COMMUNICATION APPLICATIONS. SCA IPLA Holdings Inc.
- 2742671** WEB-BASED PARENTAL CONTROLS FOR WIRELESS DEVICES. Qualcomm Incorporated
- 2742700** METHODS, SYSTEMS AND COMPUTER PROGRAM PRODUCTS FOR COLLECTING EARPIECE DATA FROM A MOBILE TERMINAL. Sony Mobile Communications Inc.
- 2742711** DETECTION OF SUSPECT WIRELESS ACCESS POINTS. F-Secure Corporation
- 2742725** MOBILITY ROBUSTNESS OPTIMIZATION WITH AN EXTENDED KEY PERFORMANCE INDICATOR MESSAGE. Nokia Solutions and Networks Oy
- 2742728** FALLBACK TO R99 PRACH. Interdigital Patent Holdings, Inc.
- 2742745** METHODS AND APPARATUS FOR OVERLOAD MITIGATION USING UPLINK TRANSMIT POWER BACKOFF. Qualcomm Incorporated
- 2742767** SUSPENDING A CONNECTION IN A WIRELESS COMMUNICATION SYSTEM. BlackBerry Limited
- 2742864** RADIOGRAPH IMAGING DEVICE AND RADIOGRAPH IMAGING METHOD. FUJIFILM Corporation
-

- 2742896** AUTOGENOUS BONE COLLECTOR FOR HARVESTING AUTOGENOUS BONE. Osstemimplant Co., Ltd.
- 2742938** AMINO-ACID-CONTAINING COMPOSITION FOR ENHANCING RECOVERY FROM MUSCLE FATIGUE. AJINOMOTO CO., INC.
- 2742941** PHARMACEUTICAL COMPOSITION CONTAINING DIAMINE DERIVATIVE. DAIICHI SANKYO COMPANY, LIMITED
- 2743124** SEAT BACK FRAME FOR VEHICLE AND METHOD FOR MANUFACTURING SAME. Teijin Limited; Adient Luxembourg Holding S.à r.l.
- 2743148** VEHICLE STATUS DISPLAY APPARATUS OF HYBRID VEHICLE. TOYOTA JIDOSHA KABUSHIKI KAISHA
- 2743158** STRUCTURE FOR SUPPORTING SUSPENSION DEVICES FOR VEHICLE. Toyota Shatai Kabushiki Kaisha
- 2743239** PRODUCTION METHOD FOR THERMOCHROMATIC GLASS IN WHICH USE IS MADE OF A LOW-TEMPERATURE METAL-VAPOUR-DEPOSITION PROCESS, AND THERMOCHROMATIC GLASS OBTAINED THEREBY. LG Hausys, Ltd.
- 2743256** CYCLOPROPANEAMINE COMPOUND. Takeda Pharmaceutical Company Limited
- 2743318** GRAY INK COMPOSITION FOR INK JET PRINTING AND METHOD FOR PRINTING FIBERS USING SAME. Nippon Kayaku Kabushiki Kaisha
- 2743503** ACCUMULATED-PRESSURE TRIGGER SPRAYER AND PRESSURE ACCUMULATION VALVE THEREFOR. Canyon Corporation
- 2743692** MICROCHIP-BASED APPARATUS FOR EXAMINING PLATELET COMPOSITE FUNCTIONS. Korea University Research and Business Foundation
- 2743697** METHODS FOR THE IN VITRO DIAGNOSIS OF INVASIVE CARCINOMAS. Oncomatrix Biopharma, S.L.
- 2743769** RESIST COMPOSITION, RESIST PATTERN FORMATION METHOD, POLYPHENOL COMPOUND USED THEREIN, AND ALCOHOL COMPOUND CAPABLE OF BEING DERIVED THEREFROM. Mitsubishi Gas Chemical Company, Inc.
- 2743770** UNDERLAYER FILM-FORMING MATERIAL FOR LITHOGRAPHY, UNDERLAYER FILM FOR LITHOGRAPHY, AND PATTERN FORMATION METHOD. Mitsubishi Gas Chemical Company, Inc.
- 2743899** DRIVING ASSISTANCE DEVICE. Toyota Jidosha Kabushiki Kaisha
- 2743900** DRIVING ASSISTANCE DEVICE. Toyota Jidosha Kabushiki Kaisha
- 2743920** GLASS FIBER-BASED SOUND ABSORBING SHEET HAVING
-

ADJUSTABLE PERMEABILITY AND AIR POROSITY. LG Hausys, Ltd.

- 2743946** Use of Material, Especially an Eutectic One, as an Active Layer in an Electrode and an Electrode Comprising an Active Layer of Material, Especially an Eutectic One. Instytut Technologii Materiałów Elektronicznych
- 2743978** SUBSTRATE FOR POWER MODULE, SUBSTRATE FOR POWER MODULE WITH HEAT SINK, POWER MODULE, AND METHOD FOR MANUFACTURING SUBSTRATE FOR POWER MODULE. Mitsubishi Materials Corporation
- 2744057** WATERPROOF STRUCTURE FOR WIRE HARNESS. Yazaki Corporation
- 2744063** ENERGY MANAGEMENT DEVICE, ENERGY MANAGEMENT SYSTEM, AND PROGRAM. Panasonic Intellectual Property Management Co., Ltd.
- 2744064** POWER SUPPLY DEVICE. Yazaki Corporation
- 2744122** METHOD AND APPARATUS FOR TRANSMITTING AND RECEIVING A SIGNAL OF A TERMINAL IN A TIME DIVISION WIRELESS COMMUNICATION SYSTEM. Samsung Electronics Co., Ltd.
- 2744139** UPLINK FEEDBACK METHOD AND APPARATUS. China Academy of Telecommunications Technology
- 2744240** MOBILE COMMUNICATION METHOD AND RADIO BASE STATION. Kyocera Corporation
- 2744282** COMMUNICATION SYSTEM, MOBILE STATION, BASE STATION, SYNCHRONIZATION STATE MANAGEMENT METHOD AND INTEGRATED CIRCUIT. Sharp Kabushiki Kaisha
- 2744308** PROCESSING APPARATUS AND PROCESSING METHOD. Mitsubishi Heavy Industries Mechatronics Systems, Ltd.
- 2744348** BAKING PLATE FOR BAKING OVENS. Haas Food Equipment GmbH
- 2744358** FILLING HOPPER FOR A FILLING APPARATUS FOR MULTI-SEGMENT TRAYS. International Tobacco Machinery Poland Sp. z o.o.
- 2744359** AEROSOL-FORMING MATERIAL FOR A HOOKAH. Chunga UG (Haftungsbeschränkt)
- 2744360** GROOVED WETSUIT. Hurley International, LLC
- 2744369** CONTAINER HAVING A COUPLING SYSTEM. Entholzner, Hans-Peter
- 2744378** A LID FOR A FOOD PROCESSOR. Koninklijke Philips N.V.
- 2744424** ADAPTIVE ROTARY CATHETER FOR OPENING OBSTRUCTED BODILY VESSELS. Shiber, Samuel
- 2744444** DEVICE FOR THE TRANS-ANAL DRAINAGE OF STOOL FROM THE RECTUM OF A PATIENT AND/OR FOR THE TRANS-ANAL APPLICATION OF INFLOWING LIQUID THROUGH A CATHETER-LIKE ELEMENT. Advanced Medical Balloons GmbH
-

- 2744445** TRANS-ANAL INFLOW CATHETER FOR INTERMITTENTLY TRIGGERING A REFLEX-COORDINATED DEFECATION. Advanced Medical Balloons GmbH
- 2744451** INTRAOCULAR LENS. Oculentis Holding B.V.
- 2744503** MUSCLE TISSUE REGENERATION USING MUSCLE FIBER FRAGMENTS. Wake Forest University Health Sciences
- 2744520** METHODS AND PHARMACEUTICAL COMPOSITIONS FOR THE TREATMENT OF AN OCULAR DISEASE IN A SUBJECT. Institut National de la Santé et de la Recherche Médicale
- 2744532** RESORBABLE STENTS CONTAINING A MAGNESIUM ALLOY. MeKo Laserstrahl-Materialbearbeitungen e.K.; Hemoteq AG
- 2744537** MODULAR HEMODIALYSIS SYSTEM. MEDTRONIC, INC.
- 2744542** POWDER INHALING DEVICE. Aptar France SAS
- 2744572** ABUSE-RESISTANT MUCOADHESIVE DEVICES FOR DELIVERY OF BUPRENORPHINE. BioDelivery Sciences International, Inc.
- 2744581** COLUMN MANAGER WITH A MULTI-ZONE THERMAL SYSTEM FOR USE IN LIQUID CHROMATOGRAPHY. Waters Technologies Corporation
- 2744616** Hand-operated drill and method of indicating a drilling thrust asserted on a hand-operated drill. The Boeing Company
- 2744620** SYSTEM AND METHOD OF OPERATING A NON-WELDING DEVICE USING A WELDING POWER BUS. Illinois Tool Works Inc.
- 2744651** DURABLE, HEAT RESISTANT, ERASABLE RELEASE COATINGS, RELEASE COATED SUBSTRATES, AND THEIR METHODS OF MANUFACTURE. Neenah Paper, Inc.
- 2744653** INSULATED PANEL AND METHOD OF MANUFACTURING THE SAME. Metsäliitto Osuuskunta
- 2744657** MULTI-LAYER ELASTIC FLOOR PANEL HAVING A REINFORCED PVC CORE. U. Windmüller Consulting GmbH & Co. KG
- 2744659** METHOD OF FORMING DEEP-DRAWN PAINT FILM LAMINATED SHEET METAL. McMaster University; 3M Innovative Properties Company
- 2744665** THERMAL TRANSFER PRINTER. Videojet Technologies Inc.
- 2744666** THERMAL TRANSFER PRINTER. Videojet Technologies Inc.
- 2744673** TOWING HITCH ASSEMBLY. Storm Environmental Limited
- 2744713** DEVICE FOR DISPENSING PLASTIC FASTENERS. Avery Dennison Corporation
- 2744717** COLLAPSIBLE SEMI-BULK CONTAINER. Composite Containers LLC
- 2744722** PRODUCT DISPENSING HEAD FOR A CONTAINER AND ASSOCIATED DISPENSING DEVICE. L'Oréal
-

- 
- 2744728** PROCESS FOR PROVIDING A SURFACE WITH A BARRIER AND A SUBSTRATE BEING PRODUCED ACCORDING TO THE PROCESS. Stora Enso Oyj
- 2744762** METHOD FOR PRODUCING COATED GLASS SURFACES AND GLASS CONTAINERS MADE THEREWITH. Freie Universität Berlin
- 2744770** ENZYMATICALLY INVERTED SACCHAROSE AS DISPERSING AGENT. Sika Technology AG
- 2744775** BAX AGONIST, COMPOSITIONS, AND METHODS RELATED THERETO. Emory University; Board of Regents of the University of Texas System
- 2744781** FENTANYL DERIVATIVES AS PH-DEPENDENT OPIOID RECEPTOR AGONISTS. Konrad-Zuse-Institut; Charité - Universitätsmedizin Berlin
- 2744816** RUTHENIUM-BASED COMPLEX CATALYSTS. The Governing Council of the University of Toronto; ARLANXEO Deutschland GmbH
- 2744820** METHODS FOR EXTRACTING KERATIN PROTEINS. Keranetics LLC
- 2744855** METHOD FOR PREPARING A SILICA GRAFTED WITH AN ORGANOSILICON COMPOUND. ELKEM SILICONES France SAS; Ecole Nationale Supérieure De Chimie Montpellier (ENSC); Université Montpellier 2, Sciences et Techniques; CENTRE NATIONAL DE LA RECHERCHE SCIENTIFIQUE -CNRS-
- 2744870** PHOSPHOR COMPOSITIONS AND METHODS OF MAKING THE SAME. Nitto Denko Corporation
- 2744876** PROCESS AND APPARATUS FOR RECOVERING HYDROPROCESSED HYDROCARBONS WITH TWO STRIPPERS. UOP LLC
- 2744888** METHOD FOR PURIFYING BACTERIAL CELLS. Chr. Hansen A/S
- 2744902** ISOLATION OF FACTORS THAT ASSOCIATE DIRECTLY OR INDIRECTLY WITH NON-CODING RNAs. The General Hospital Corporation
- 2744923** CYLINDER LINER AND CAST IRON ALLOY. Mahle Metal Leve S/A; Mahle International GmbH
- 2744928** ANODIZATION AND PLATING SURFACE TREATMENTS. Apple Inc.
- 2744952** MECHANICAL LOCKING SYSTEM FOR FLOOR PANELS. Ceraloc Innovation AB
- 2744953** MECHANICAL LOCKING SYSTEM FOR FLOOR PANELS. Ceraloc Innovation AB
- 2744967** ROTARY STEERABLE ASSEMBLY INHIBITING COUNTERCLOCKWISEWHIRL DURING DIRECTIONAL DRILLING. Precision Energy Services, Inc.
- 2744971** DEBRIS BARRIER FOR HYDRAULIC DISCONNECT TOOLS. Halliburton Energy Services, Inc.
-

- 2744986** ADJUSTABLE CAMSHAFT ARRANGEMENT. ThyssenKrupp Presta TecCenter AG
- 2744995** AIR INLET ARRANGEMENT AND METHOD OF MAKING THE SAME. Gulfstream Aerospace Corporation
- 2745004** ENGINE AND ENGINE-OPERATED WORKING MACHINE. Hitachi Koki Co., Ltd.
- 2745010** MULTI-SPEED HYDRAULIC PUMP. Harken Inc
- 2745066** ELECTRIC INDUCTION MELTING ASSEMBLY. Consarc Corporation
- 2745067** AMMUNITION FEED OF A MULTI-BARREL WEAPON. Rheinmetall Waffe Munition GmbH
- 2745097** CAVITY ENHANCED LASER BASED GAS ANALYZER. LI-COR, INC.
- 2745119** SAMPLE COLLECTION DEVICE. Exact Sciences Corporation
- 2745130** HYBRID MAGNET FOR MRI. Emscan Limited
- 2745165** OPTIONALLY TRANSFERABLE OPTICAL SYSTEM WITH A REDUCED THICKNESS. Visual Physics, LLC
- 2745179** BASE ELEMENT FOR ACCOMMODATING AN OVERVOLTAGE PROTECTION MODULE, AND MODULAR BUS SYSTEM. Phoenix Contact GmbH & Co. KG
- 2745188** METHOD FOR GAZE-CONTROLLED TEXT SIZE. Thomson Licensing
- 2745196** INTERACTIVE CONTENT FOR DIGITAL BOOKS. Apple Inc.
- 2745219** MANAGING INFORMATION ASSOCIATED WITH NETWORK RESOURCES. Amazon Technologies, Inc.
- 2745301** ROUTING OF MEMS VARIABLE CAPACITORS FOR RF APPLICATIONS. Cavendish Kinetics Inc.
- 2745302** DUAL STROKE MECHANICALLY LATCHED MECHANISM. Hubbell Incorporated
- 2745311** ANODE BATTERY MATERIALS AND METHODS OF MAKING THE SAME. Lockheed Martin Corporation; William Marsh Rice University
- 2745327** SOCKET FOR A SOLAR PANEL WITH A PROTECTIVE CIRCUIT. Phoenix Contact GmbH & Co. KG
- 2745339** METHOD FOR PRODUCING A BATTERY FILLED WITH A LIQUID ELECTROLYTE AND BATTERY. Johnson Controls Autobatterie GmbH & Co. KGaA
- 2745343** FUEL CELL AND MEMBRANE THEREFOR. Audi AG
- 2745347** MULTI-CELL THIN FILM MICROBATTERY ARRAY. Cymbet Corporation
- 2745353** ELECTRICAL CONNECTOR ADAPTED TO RECEIVE VARIOUS DIAMETER CABLE. Hubbell Incorporated
- 2745390** POTENTIAL DEFINITION OF INPUT LINES OF AN INVERTER. SMA Solar
-

Technology AG

- 2745407** LOW NOISE AMPLIFIERS WITH COMBINED OUTPUTS. Qualcomm Incorporated
  - 2745414** DYNAMIC RESONANT MATCHING CIRCUIT FOR WIRELESS POWER RECEIVERS. Philips Lighting Holding B.V.
  - 2745445** METHOD AND APPARATUS FOR CONTROL CHANNEL TRANSMISSION AND RECEPTION. Google Technology Holdings LLC
  - 2745449** MULTICAST ARQ IN MACHINE TYPE COMMUNICATION NETWORK. SCA IPLA Holdings Inc.
  - 2745480** DEVICE AND METHOD OF PROCESSING SINGLE-CARRIER WIRELESS COMMUNICATION SIGNALS. Intel Corporation
  - 2745490** METHOD AND APPARATUS FOR CONTROLLING TELEPHONY SERVICE USING VIRTUAL NETWORK COMPUTING. Samsung Electronics Co., Ltd.
  - 2745535** APPARATUS COMPRISING AN ACOUSTIC RADIATOR AND A BAND SEAL, AND METHOD FOR COUPLING A PASSIVE RADIATOR TO AN ACOUSTIC ENCLOSURE.. Bose Corporation
  - 2745545** PEER DEVICE SUPPORTED LOCATION-BASED SERVICE PROVIDER CHECK-IN. Qualcomm Incorporated
  - 2745567** MOBILITY STATE AWARE MOBILE RELAY OPERATION. Telefonaktiebolaget LM Ericsson (publ)
  - 2745568** MOVING ACCESS POINT INDICATION. Telefonaktiebolaget LM Ericsson (publ)
  - 2745572** APPARATUSES AND METHODS FOR CONTROLLING ACCESS TO A RADIO ACCESS NETWORK. Qualcomm Incorporated
  - 2745584** ANALYSIS AND ADDRESS ALLOCATION OF WIRELESS BUILDING NETWORKS. Tridonic GmbH & Co. KG
  - 2745590** UPLINK RESOURCE ALLOCATION FOR RELAY NODE BASED COMMUNICATION. SCA IPLA Holdings Inc.
  - 2745610** RELAY DEVICE AND METHOD. SCA IPLA Holdings Inc.
  - 2745611** WIRELESS COMMUNICATIONS SYSTEM AND METHOD. SCA IPLA Holdings Inc.
  - 2745614** NETWORK, RELAY NODE AND METHODS FOR MBMS REPEAT TRANSMISSIONS. SCA IPLA Holdings Inc.
  - 2745615** TELECOMMUNICATIONS APPARATUS AND METHODS. SCA IPLA Holdings Inc.
  - 2745629** LIGHTING DEVICE CONTROLLER PROGRAMMING. Surefire, LLC
  - 2745651** PLASMA TORCH AND RETAINING CAP WITH FAST SECURING
-

THREADS. Illinois Tool Works Inc.

- 2745663** TECHNICAL INFRASTRUCTURE FOR A DATA CENTRE. OVH SAS
- 2745678** METHOD FOR CONTROLLING SEXUALITY OF HOP. Kirin Holdings  
Kabushiki Kaisha
- 2745842** ANTI-CANCER COMPOSITION COMPRISING WNT DECOY RECEPTORS.  
Genemedicine Co., Ltd.
- 2745865** MEDICAL TUBE. Toyobo Co., Ltd.
- 2745900** PROCESS FOR CONCENTRATING AND RECOVERING SURFACTANT  
AQUEOUS SOLUTION. Asahi Glass Company, Limited
- 2746106** VEHICLE FUNCTIONAL COMPONENT. Fu-se Vacuum Forming Co., Ltd.;  
Kohki Co., Ltd.
- 2746122** ELECTRIC BRAKE DEVICE. NTN Corporation
- 2746124** WORK VEHICLE. KCM Corporation
- 2746236** HEAT-TREATABLE LOW-EMISSIVITY GLASS AND A PRODUCTION  
METHOD THEREFOR. LG Hausys, Ltd.
- 2746248** METAL COMPLEX AND ADSORBENT MATERIAL, STORAGE  
MATERIAL, AND SEPARATING MATERIAL COMPRISING SAME.  
Kuraray Co., Ltd.
- 2746337** CARBON FIBER COMPOSITE MATERIAL. Sekisui Chemical Co., Ltd.
- 2746350** COATING COMPOSITION FOR CHROMIUM THIN FILM COATING.  
Fujikura Kasei Co., Ltd.
- 2746416** HIGH-STRENGTH STEEL SHEET HAVING EXCELLENT ROOM-  
TEMPERATURE FORMABILITY AND WARM FORMABILITY, AND  
WARM FORMING METHOD THEREOF. Kabushiki Kaisha Kobe Seiko Sho  
(Kobe Steel, Ltd.)
- 2747089** PROCESSING METHOD AND APPARATUS FOR DECREASING  
RADIOACTIVE SUBSTANCE ABSORBED IN MATERIAL TO SAFE  
LEVEL FOR LIVING ENVIRONMENT. CDM Consulting Co., Ltd.;  
RADWASTE AND DECOMMISSIONING CENTER
- 2747187** LITHIUM ION ELECTROCONDUCTIVE BODY AND METHOD FOR  
MANUFACTURING SAME, ALL-SOLID-STATE LITHIUM SECONDARY  
CELL. FUJITSU LIMITED
- 2747308** Apparatus and method for data embedding in light communication and the light  
communication system and method thereof. Industrial Technology Research  
Institute
- 2747476** METHOD, USER EQUIPMENT, AND BASE STATION FOR  
INFORMATION TRANSMISSION. Huawei Technologies Co., Ltd.
- 2747501** WIRELESS COMMUNICATION NETWORK SYSTEM. The Nippon Signal
-



Co., Ltd.

- 2747593** METHOD AND SYSTEM FOR OPTIMISED SELECTION OF FOOTWEAR OR CLOTHING ARTICLES. Magari S.r.l.
- 2747600** MODULAR CYLINDRICAL SEAT SYSTEM. Cingolani, Angela
- 2747666** BIOPSY DEVICE TISSUE SAMPLE HOLDER WITH BULK CHAMBER AND PATHOLOGY CHAMBER. Devicor Medical Products, Inc.
- 2747698** ORTHODONTIC APPLIANCES WITH DISSOLVABLE COATINGS. 3M Innovative Properties Company
- 2747738** MASCARA IN POWDER FORM. LvmH Recherche
- 2747855** ACCESSORY BAG HAVING REINFORCED SIDEWALLS AND VARIABLE LENGTH. DB Equipment AS
- 2747862** SYSTEM AND METHOD FOR SLUDGE REMOVAL IN A CIRCULAR SETTLING TANK. Nordic Water Products
- 2747927** POWER SAW INCLUDING AN IMPACT MECHANISM. Robert Bosch GmbH
- 2747935** TOOL FOR HOLDING A TURBINE-ENGINE PART, INCLUDING A MEANS FOR ATTACHING AND IMMOBILISING THE PART AND AN ELEMENT TO BE ATTACHED TO SAID PART BY BRAZING OR WELDING. SNECMA
- 2748042** ARRANGEMENT FOR SEALING A MASTER CYLINDER ON THE SIDE OF THE PISTON ROD. Schaeffler Technologies AG & Co. KG
- 2748045** EMERGENCY EXIT UNIT FOR A RAIL VEHICLE. Siemens AG Österreich
- 2748079** HEAT ACTIVATED ADHESIVES FOR BAG CLOSURES. Coating Excellence International, LLC
- 2748091** DRIVE UNIT, ELEVATOR, AND A METHOD FOR DRIVING AN ELEVATOR. Kone Corporation
- 2748100** COMPONENT OF A WIND ENERGY INSTALLATION WITH A RECEPTACLE FOR HANDLING THE COMPONENT AND SUPPORTING BEAM FOR HANDLING COMPONENTS OF A WIND ENERGY INSTALLATION. Max Bögl Wind AG
- 2748107** METHOD FOR PRODUCING AND ALIGNING NANOWIRES AND APPLICATIONS OF SUCH A METHOD. Albuschies, Jörg
- 2748227** POLYSULFONE COMPOSITIONS AND METHODS FOR THE MANUFACTURE AND USE THEREOF. SABIC Global Technologies B.V.
- 2748233** POLYETHER ALCOHOLS CONTAINING PARTICLES. BASF SE
- 2748244** METAL CARBOXYLATE ADDITIVES FOR THERMOPLASTICS. Total Petrochemicals & Refining USA, Inc.
- 2748286** A PROCESS AND A REACTION APPARATUS FOR THE GASIFICATION
-

OF WET BIOMASS. Gensos Holding B.V.

- 2748525** TUNABLE WHITE LUMINAIRE. ABL IP Holding LLC
- 2748616** THERMOSTABLE INHIBITORS OF ACTIVATION OF THE BLOOD CLOTTING SYSTEM THROUGH CONTACT WITH FOREIGN SURFACES..  
Synapse B.V.; Universiteit Maastricht
- 2748752** DIGITAL SIGNING AUTHORITY DEPENDENT PLATFORM SECRET.  
Microsoft Technology Licensing, LLC
- 2748901** HIGH POWER FIBER PUMP SOURCE WITH HIGH BRIGHTNESS LOW NOISE OUTPUT IN ABOUT 974 - 1030 NM WAVELENGTH RANGE. IPG Photonics Corporation
- 2748962** SEARCH SPACE RECONFIGURATION FOR ENHANCED-PDCCH.  
Panasonic Intellectual Property Corporation of America
- 2748982** METHOD AND APPARATUS FOR USE IN P2P STREAMING SYSTEM OVER MOBILE NETWORK. Telefonaktiebolaget LM Ericsson (publ)
- 2748983** MULTI-FACTOR AUTHENTICATION. Zixcorp Systems Inc.
- 2749031** PROJECTOR AND IMAGE DISPLAY APPARATUS. Seiko Epson Corporation
- 2749136** LIGHTING SYSTEM COMPRISING A MASTER UNIT AND SLAVE UNITS WHEREIN THE MASTER UNIT MAY MOVE TO A SLEEP MODE WITH A SLAVE UNIT TAKING OVER AS MASTER. Philips Lighting Holding B.V.
- 2749228** Portable ultrasound system. Esaote S.p.A.
- 2749302** ANTITHROMBOGENIC MATERIAL AND MEDICAL DEVICE. Terumo Kabushiki Kaisha
- 2749367** SHRINK FIT TOOL HOLDER. MST Corporation
- 2749473** WHEEL HOLDING MECHANISM FOR BABY CARRIAGE, AND BABY CARRIAGE. Combi Corporation
- 2749479** KICK-UP FRAME CONNECTION STRUCTURE. Toyota Shatai Kabushiki Kaisha
- 2749587** FILM FOR FORMING AND FORMING TRANSFER FOIL USING SAME.  
Toray Industries, Inc.
- 2749621** RESIN COMPOSITION FOR ADHESIVES CONTAINING PLATE-LIKE INORGANIC COMPOUND, AND ADHESIVE. DIC Corporation
- 2749660** NICKEL RECOVERY LOSS REDUCTION METHOD,  
HYDROMETALLURGICAL METHOD FOR NICKEL OXIDIZED ORE, AND SULFURATION TREATMENT SYSTEM. Sumitomo Metal Mining Co., Ltd.
- 2749781** ROLLER BEARING. NTN Corporation
- 2749858** FLUID FLOW PATH PRESSURE DETECTION DEVICE. Nkkiso Company Limited
- 2749943** PROJECTION SYSTEM AND LIGHT EMITTING DEVICE THEREOF.
-

Appotronics Corporation Limited

- 2750000** Display device with integrated touch screen and a method of driving the same.  
LG Display Co., Ltd.
- 2750147** ELECTROMAGNETIC COIL DRIVE DEVICE. Fuji Electric FA Components & Systems Co. Ltd.
- 2750248** PLANAR INVERTED F ANTENNA. Seiko Solutions Inc.; Chikouji Gakuen Educational Foundation; Haneishi, Misao
- 2750272** DIODE NEUTRAL POINT CLAMPED THREE-LEVEL INVERTER CURRENT LIMITING CONTROL METHOD AND RELATED CIRCUIT THEREOF. Huawei Technologies Co., Ltd.
- 2750318** METHOD OF OPERATING AN HARQ BUFFER FOR A DYNAMIC SUB-FRAME CHANGE AND AN APPARATUS FOR SAME. LG Electronics Inc.
- 2750380** RECEPTION APPARATUS, RECEPTION METHOD, PROGRAM, AND INFORMATION PROCESSING SYSTEM. Saturn Licensing LLC
- 2750471** RANDOM ACCESS METHOD AND RANDOM ACCESS SYSTEM FOR TERMINAL IN HIGH-SPEED MOBILE ENVIRONMENT. ZTE Corporation
- 2750588** METHOD FOR IDENTIFYING THE STATE OF A VEHICLE DRIVER BY MEASURING A PLETHYSMOGRAPHIC VARIABLE. Volkswagen Aktiengesellschaft
- 2750735** DOSING UNIT FOR AN AMBULATORY INFUSION DEVICE.  
F.HOFFMANN-LA ROCHE AG
- 2750941** METHOD FOR CONTROLLING A DECELERATION ARRANGEMENT OF A MOTOR VEHICLE. Robert Bosch GmbH
- 2750969** AIRCRAFT COMPRISING A DISTRIBUTED ELECTRIC POWER UNIT WITH FREE WHEELS. Chantriaux, Eric; Chretien, Pascal
- 2750970** AIRCRAFT STORE EJECTOR SYSTEM. Marvin Engineering Company, Inc.; Tobias, Lee, Allen; Talebian, Sohrab, John; Evans, Robert, Ronald
- 2750974** AN AIRCRAFT STRUCTURE. Airbus Operations Limited
- 2751042** METHOD OF STRENGTHENING GLASS USING PLASMA TORCHES AND/OR ARC JETS, AND ARTICLES MADE ACCORDING TO THE SAME.  
Guardian Glass, LLC
- 2751075** CRYSTALLIZATION OF 1 ALPHA-HYDROXY-20-METHYLENE-19,24,25,26,27-PENTANORVITAMIN D3. Wisconsin Alumni Research Foundation
- 2751116** HEXAHYDROPYRANO [3,4-D][1,3]THIAZIN-2-AMINE COMPOUNDS.  
Pfizer Inc.
- 2751425** LINEAR COMPRESSOR BASED ON RESONANT OSCILLATING MECHANISM. Whirlpool S.A.
-

- 2751484** COMBUSTION APPARATUS WITH INDIRECT FIRING SYSTEM. Doosan Babcock Limited
- 2751555** ELECTROCHEMICAL SENSOR COMPRISING POLYMERIC HOUSING. MSA Technology, LLC
- 2751636** MULTIAXIS DRIVE DEVICE AND CONTROL INSTRUMENT FITTED WITH SUCH A DEVICE. Safran Electronics & Defense
- 2751704** METHOD AND APPARATUS FOR DETERMINING ENVIRONMENTAL CONTEXT UTILIZING FEATURES OBTAINED BY MULTIPLE RADIO RECEIVERS. Nokia Technologies Oy
- 2751778** INTEGRATION OF USER INPUTS AND CORRECTION OF DEFORMATION VECTOR FIELD IN DEFORMABLE IMAGE REGISTRATION WORKFLOW. Koninklijke Philips N.V.
- 2751814** TRANSFORMER AND METHOD OF MANUFACTURING THEREOF. Schmidhauser AG
- 2751831** DISCONTINUOUS PATTERNED BONDS FOR SEMICONDUCTOR DEVICES AND ASSOCIATED SYSTEMS AND METHODS. Micron Technology, Inc.
- 2751922** METHOD FOR REGULATING THE OPERATION OF AN ELECTRIC GENERATOR SET. Moteurs Leroy-Somer
- 2751925** MINIMIZATION OF TORQUE RIPPLE. Nucleus Scientific Inc.
- 2751997** METHOD AND APPARATUS FOR ADAPTIVE LOOP FILTER WITH CONSTRAINED FILTER COEFFICIENTS. Mediatek Inc.
- 2752056** POWER SAVE WITH DATA FETCH TIME, WITH END OF DATA INDICATION, AND WITH MORE DATA ACKNOWLEDGEMENT. Qualcomm Incorporated
- 2752370** LAMINATED BLOW-MOLDED CONTAINER, AND PROCESS FOR FORMING ONE OR MORE AIR INTAKE HOLES IN SUCH A CONTAINER. Yoshino Kogyosho Co., Ltd.
- 2752602** SLIDING COMPONENT. Eagle Industry Co., Ltd.
- 2752718** ACTUATOR CONTROL METHOD AND ACTUATOR CONTROL DEVICE. Isuzu Motors, Ltd.
- 2752932** METHOD FOR PRODUCING LITHIUM-ION CONDUCTIVE SOLID ELECTROLYTE, AND LITHIUM-ION SECONDARY BATTERY. Asahi Glass Company, Limited
- 2753023** WIRELESS NETWORK ENCODING MANAGEMENT METHOD AND DEVICE. Sony Corporation
- 2753292** TOOTH REMINERALIZING DENTIFRICE. Unilever PLC
- 2753611** SUBSTITUTED BENZOFURAN COMPOUNDS AND METHODS OF USE
-

- THEREOF FOR THE TREATMENT OF VIRAL DISEASES. Merck Sharp & Dohme Corp.; MSD Italia S.r.l.
- 2753618** HETEROCYCLIC-SUBSTITUED BENZOFURAN DERIVATIVES AND METHODS OF USE THEREOF FOR THE TREATMENT OF VIRAL DISEASES. Merck Sharp & Dohme Corp.; MSD Italia S.r.l.
- 2753634** METHOD FOR PREPARING ACTIVE FORM OF TNFR-FC FUSION PROTEIN. Ares Trading S.A.
- 2753658** SULPHUR-CROSSLINKABLE RUBBERIZING MIXTURE. Continental Reifen Deutschland GmbH
- 2753661** SULPHUR-CROSSLINKABLE RUBBERIZING MIXTURE. Continental Reifen Deutschland GmbH
- 2753682** DETERGENT COMPOSITIONS HAVING IMPROVED PERFORMANCE. Henkel AG & Co. KGaA
- 2753764** APPARATUS FOR CHANNELLING GROUNDWATER. Tarapaski, William Ernest
- 2753799** NUTREPARATUR EINER ROTORDRAHTDICHTUNG. General Electric Company
- 2753831** ELECTRIC PROPULSION SYSTEM WITH STATIONARY PLASMA THRUSTERS. Snecma
- 2753863** LIGHTING DEVICE. OSRAM GmbH
- 2754055** MEMORY COPY ENGINE FOR GRAPHICS PROCESSING. Qualcomm Incorporated
- 2754138** DEVICE FOR HANDLING VALUE DOCUMENTS HAVING A VIRTUAL AUXILIARY BOX FOR PARTIAL CASH BOX EXCHANGE. Wincor Nixdorf International GmbH
- 2754716** METHOD FOR PRODUCING SHIKIMIC ACID AND AN ANTITUMOUR AGENT FROM BASIDIOMYCETES BY LIGHT STIMULATION. Kojima, Masanobu; Shonan Technology Center, Inc.
- 2754931** SLIDING COMPONENT. Eagle Industry Co., Ltd.
- 2755229** DRY ETCHING METHOD. Central Glass Company, Limited
- 2755230** PLASMA ETCHING METHOD. SPP Technologies Co., Ltd.
- 2755375** COMMUNICATION SYSTEM WITH MOBILE-BODY-MOUNTED DEVICE, TERMINAL DEVICE, AND CENTER SERVER. Hitachi, Ltd.
- 2755426** BASE STATION AND COMMUNICATION CONTROL METHOD. NTT DOCOMO, INC.
- 2755894** DEVICE FOR TREATING PACKAGING MEANS BY APPLYING DECORATIONS. KHS GmbH
- 2756094** ANTI-B7-H4 ANTIBODIES AND THEIR USES. MedImmune, LLC
-

- 2756198** END OF STROKE STOPPER FOR THE RETRACTED PISTON ROD OF A MASTER CYLINDER. Schaeffler Technologies AG & Co. KG
- 2756715** MONITORING A BATTERY IN A PORTABLE ELECTRONIC DEVICE. Apple Inc.
- 2756805** ULTRASOUND IMAGING APPARATUS. Hitachi, Ltd.
- 2757110** NOVEL ALPHA 1-ANTITRYPSIN VARIANT, PREPARATION METHOD THEREOF, AND USE THEREOF. Alteogen, Inc
- 2757616** Positive electrode for rechargeable lithium battery and rechargeable lithium battery including the same. Samsung SDI Co., Ltd.
- 2757940** A SYSTEM AND COMPUTER PROGRAM PRODUCT FOR AUTOMATICALLY DISTINGUISHING ATRIAL FLUTTER FROM ATRIAL FIBRILLATION. mathe.medical GmbH
- 2758146** DEVICE FOR FOLDING A FILTER MEDIUM WEB AND PROCESS FOR PRODUCING A ZIGZAG-FOLDED FILTER ELEMENT. MANN + HUMMEL GMBH
- 2758228** SEMI-FINISHED FIBER PRODUCT, FIBER COMPOSITE MATERIAL AND METHOD FOR THE PRODUCTION THEREOF. Kapsch-Group Beteiligungs GmbH
- 2758256** PNEUMATIC VEHICLE TYRE WITH A RADIAL DESIGN. Continental Reifen Deutschland GmbH
- 2758270** METHOD FOR REDUCING A MECHANICAL LOAD ON AT LEAST ONE COMPONENT OF THE DRIVE TRAIN OF A MOTOR VEHICLE, AND CORRESPONDING MOTOR VEHICLE. Audi AG
- 2758598** METHOD OF MAKING TISSUE PRODUCTS HAVING A HIGH DEGREE OF CROSS MACHINE DIRECTION STRETCH. Kimberly-Clark Worldwide, Inc.
- 2758771** SENSOR FOR DETERMINING AT LEAST ONE PROPERTY OF A GAS TO BE MEASURED. Robert Bosch GmbH
- 2758812** TRANSILLUMINATION DEVICE AND METHOD FOR LIGHT MICROSCOPES, AND A MICROSCOPE SYSTEM. Carl Zeiss Microscopy GmbH
- 2759379** ELECTRIC TOOL. Panasonic Intellectual Property Management Co., Ltd.
- 2759380** SLIDE SWITCH FOR ELECTRIC TOOL. Panasonic Intellectual Property Management Co., Ltd.
- 2759452** SEATBELT RETRACTOR AND SEATBELT DEVICE PROVIDED WITH SAME. Takata Corporation
- 2759456** STEERING DEVICE. NSK Ltd.
- 2759512** Large area induced assembly of nanostructures. Alcatel-Lucent USA Inc.
-

- 2759655** HANDRAIL CONSISTING OF PREFABRICATED TUBES AND PARTS MADE OF STAINLESS STEEL. Punter Gil, Jesús
- 2760113** GENERATOR MOTOR AND ELECTRIC VEHICLE USING SAME. Hitachi Construction Machinery Co., Ltd.; Hitachi Industrial Equipment Systems Co., Ltd.
- 2760185** PORTABLE TELEPHONE, COMMUNICATION CONNECTION CONTROL METHOD, AND PROGRAM. NEC Corporation
- 2760228** IN-VEHICLE DEVICE, COMMUNICATION SYSTEM, COMMUNICATION METHOD. NEC Corporation
- 2760595** TREATMENT OF PLASTIC SURFACES AFTER ETCHING IN NITRIC ACID CONTAINING MEDIA. MacDermid Acumen, Inc.
- 2760712** PRIMARY PISTON ASSEMBLY FOR A MASTER BRAKE CYLINDER OF A VEHICLE BRAKING SYSTEM, PRODUCTION METHOD FOR A BRAKING UNIT AND METHOD FOR OPERATING A BRAKING UNIT. Robert Bosch GmbH
- 2760868** FURO[3,4-C]QUINOLINE DERIVATIVES, MEDICAMENTS CONTAINING SUCH COMPOUNDS, THEIR USE AND PROCESS FOR THEIR PREPARATION. Boehringer Ingelheim International GmbH
- 2761147** COMBUSTION ASSEMBLY HAVING AN INTERNAL COMBUSTION ENGINE AND AN EXHAUST CHANNEL AND METHOD FOR THE EXHAUST TREATMENT OF AN INTERNAL COMBUSTION ENGINE. Robert Bosch GmbH
- 2761723** WIRELESS POWER TRANSMITTER, WIRELESS POWER REPEATER AND WIRELESS POWER TRANSMISSION METHOD. LG Innotek Co., Ltd.
- 2761823** METHODS AND APPARATUSES FOR ELECTRONIC MESSAGE AUTHENTICATION. Nokia Technologies Oy
- 2762113** WATER DISINTEGRATABLE ABSORBER AND ABSORBENT ARTICLE. Unicharm Corporation
- 2763045** METHOD AND APPARATUS FOR ALLOCATING MEMORY SPACE WITH WRITE-COMBINE ATTRIBUTE. Huawei Technologies Co., Ltd.
- 2763171** ELECTROSTATIC DISCHARGE PROTECTIVE DEVICE. CSMC Technologies Fab1 Co., Ltd.
- 2763189** RADIATION DETECTOR. Hamamatsu Photonics K.K.
- 2763879** METHOD FOR ACTIVATING A DRIVER ASSISTANCE SYSTEM. Robert Bosch GmbH
- 2764554** OPTOELECTRONIC SEMICONDUCTOR DEVICE AND MODULE COMPRISING A PLURALITY OF SUCH DEVICES. OSRAM Opto Semiconductors GmbH
-

- 2764604** TUNABLE WIRELESS POWER ARCHITECTURES. WiTricity Corporation
- 2764924** A suction and explosion proof mechanism for a waterway accessory. Xiamen Solex High-Tech Industries Co., Ltd.
- 2768620** CARTRIDGE AND MULTI-COMPONENT CARTRIDGE. Sulzer Mixpac AG
- 2770211** SCROLL COMPRESSOR. Taiho Kogyo Co., Ltd
- 2770762** METHOD FOR PROCESSING MESSAGE, TERMINAL AND SYSTEM.  
Huawei Technologies Co., Ltd.
- 2771913** RETAINING SYSTEM FOR INSTALLING A PHOTOVOLTAIC MODULE.  
Adensis GmbH
- 2772216** Locking device for locking a rod-shaped element in a receiving part of a bone anchor and bone anchor with such a locking device. Biedermann Technologies GmbH & Co. KG
- 2774227** WIRE POSITIONING DEVICE. Schleuniger Holding AG
- 2774987** Nucleic acid quantitation from tissue slides. Affymetrix, Inc.
- 2775192** Display device and point-of-sale system having the display device. Flytech Technology Co., Ltd.
- 2775505** STREAK TUBE. Hamamatsu Photonics K.K.
- 2776295** PARKING ASSISTING SYSTEM. LG Innotek Co., Ltd.
- 2776654** DEGRADABLE NO-GO COMPONENT. Baker Hughes Incorporated
- 2779196** Miniature circuit breaker. Ellenberger & Poensgen GmbH
- 2779628** IMAGE PROCESSING METHOD AND DEVICE. Huawei Technologies Co., Ltd.
- 2779723** METHOD AND RELATED DEVICE FOR ACCESSING ACCESS POINT.  
Huawei Device Co., Ltd.
- 2779761** Method and apparatus for acquiring synchronization in code division multiple access system. Samsung Electronics Co., Ltd.
- 2781500** METHOD FOR PREPARING FLUORINE-CONTAINING VINYL ETHER.  
Zhonghao Chenguang Research Institute of Chemical Industry Company Limited
- 2784871** PHOTOELECTRODE FOR DYE-SENSITIZED SOLAR CELL, AND  
METHOD FOR MANUFACTURING PHOTOELECTRODE FOR DYE-  
SENSITIZED SOLAR CELL, AND DYE-SENSITIZED SOLAR CELL. Tokyo  
University Of Science Educational Foundation Administrative Organization;  
Toppan Printing Co., Ltd.
- 2785127** Frame structure and control signaling downlink coordinated multi-point (Comp) transmission. BlackBerry Limited
- 2786992** COMPOSITIONS AND METHODS FOR CONTROLLING NEMATODES.  
Monsanto Technology LLC
- 2786993** COMPOSITIONS AND METHODS FOR CONTROLLING NEMATODES.
-



- Monsanto Technology LLC
- 2786994** COMPOSITIONS AND METHODS FOR CONTROLLING NEMATODES.  
Monsanto Technology LLC
- 2787446** DISTRIBUTED STORAGE METHOD, DEVICE AND SYSTEM. Huawei Technologies Co., Ltd.
- 2789625** Use of soluble CD83 for perfusing a tissue for transplantation. Argos Therapeutics, Inc.
- 2789691** Methods and compositions for targeted single-stranded cleavage and targeted integration. Sangamo Therapeutics, Inc.
- 2789693** Amelogenin SNP on chromosome X. Life Technologies Corporation
- 2789732** Resin-coated flame-retardant glass fiber bundle and resin-coated flame-retardant fiber woven fabric. Nitto Boseki Co., Ltd
- 2791821** PRE-FETCHING MAP TILE DATA ALONG A ROUTE. Google Inc.
- 2794119** CARTRIDGE, METHOD FOR PRODUCING SAME AND MULTI-COMPONENT CARTRIDGE. Sulzer Mixpac AG
- 2796173** FIXED FIRE EXTINGUISHING APPARATUS. Xi'an Westpeace Fire Technology Co., Ltd
- 2796270** Method and apparatus for feeding back of blowing air from the finished blow-molded container between two compressor stages. Krones AG
- 2796381** DISPENSING CONTAINER. Chen, Fang-Pin
- 2796443** Curing agent for low temperature cure applications. Evonik Degussa GmbH
- 2796979** Method and apparatus for adjusting a graphical object according to operator preference. Spreadtrum Communications (Shanghai) Co., Ltd.
- 2797368** METHOD, DEVICE, AND SYSTEM FOR DISCOVERING MACHINE TO MACHINE SERVICE. Huawei Device Co., Ltd.
- 2800504** FLOOR CLEANING TOOL HAVING A MECHANICALLY OPERATED PUMP. Kärcher North America, Inc.
- 2804325** Picture decoding method and decoding device. Panasonic Intellectual Property Corporation of America
- 2804339** Transmitting wireless signals on multiple frequency channels in a frequency agile network. Intel Corporation
- 2805938** Bi- or tricyclic sterically hindered alkoxyamines and process for their preparation. BASF SE
- 2810974** COLORED RESIN COMPOSITION EXHIBITING PLEOCHROISM, AND MOLDED PLASTICS MANUFACTURED USING SAME. Lotte Advanced Materials Co., Ltd.
- 2812512** DECOUPLING MAT. Gebrüder Jaeger GmbH
- 2812643** SAFETY DEVICE FOR EXTERNALLY POWERED WEAPONS. Rheinmetall
-

Waffe Munition GmbH

- 2814233** Image forming apparatus and image forming method. S-Printing Solution Co., Ltd.
- 2818462** CYCLIC AZINE DERIVATIVES, PROCESSES FOR PRODUCING THESE, AND ORGANIC ELECTROLUMISCENT ELEMENT CONTAINING THESE AS COMPONENT. TOSOH CORPORATION; Sagami Chemical Research Institute
- 2819146** Charged particle beam lithography system and target positioning device. MAPPER LITHOGRAPHY IP B.V.
- 2819937** A CONVEYOR. BETT SISTEMI s.r.l.
- 2822038** INSULATED GATE BIPOLAR TRANSISTOR. Huawei Technologies Co., Ltd.
- 2822078** LITHIUM-ION BATTERY. Hitachi Chemical Company, Ltd.
- 2822236** NETWORK BANDWIDTH DISTRIBUTION METHOD AND TERMINAL. Huawei Device Co., Ltd.
- 2823968** Luminous medium and method for confirming luminous medium. DAI NIPPON PRINTING CO., LTD.
- 2824274** Microtunneling system and apparatus. VERMEER MANUFACTURING COMPANY
- 2826183** UPLINK CONTROL CHANNEL RESOURCE COLLISION RESOLUTION IN CARRIER AGGREGATION SYSTEMS. BlackBerry Limited
- 2826829** Biomedical sensor system and method of detecting a time varying biomedical signal. Flexcon Company, Inc.
- 2828898** APPARATUS INCLUDING SOLAR CELLS HAVING NANOWIRE TITANIUM OXIDE OR SILICON CARBIDE CORES AND GRAPHENE SHELLS, AND USE THEREOF. Dimerond Technologies, LLC; Gruen, Dieter M.
- 2829308** LIQUID DISPENSING DEVICE. AMTPacific Co. Ltd.
- 2829738** ACCUMULATOR. Eagle Industry Co., Ltd.
- 2830269** MESSAGE PROCESSING METHOD AND DEVICE. ZTE Corporation; Sanechips Technology Co., Ltd.
- 2832200** Method for dosing a granular material and dosing device for granular materials. Horsch Maschinen GmbH
- 2832224** Bakery product and method for preparing a baked product. Griesson - de Beukelaer GmbH & Co. KG
- 2832257** Rotary brush construction for washing systems, particularly for washing vehicles. MORELITE S.p.A.
- 2832575** Terrestrial vehicle with internal combustion engine and auxiliary devices. ALTRA S.P.A.
-

- 2832625** A stroller frame and a foldable and detachable chair frame. Dorel Juvenile (Zhongshan) Product Co., Ltd.
- 2832779** Pressure Sensitive Adhesive Foam. 3M Innovative Properties Company
- 2832917** Washing machine with drawer assembly. Electrolux Appliances Aktiebolag
- 2832918** LAUNDRY TREATMENT APPARATUS AND METHOD FOR OPERATING A LAUNDRY TREATMENT APPARATUS. Electrolux Appliances Aktiebolag
- 2833628** A video camera and a video receiver of a video monitoring system. Application Solutions (Electronics and Vision) Limited
- 2835078** Locker for a delivery or collection system.. Cottner Technologies Limited
- 2835089** A method of operating a vacuum cleaner for cleaning a from the vacuum cleaner comprised filter element. Miele & Cie. KG
- 2835152** Dorsal wear-pad. Honeywell International Inc.
- 2835184** Device for separating films from a mass of waste and sorting facility comprising same. Neos
- 2835185** System for the processing of organic waste and products. Sustane Technologies Inc.
- 2835237** Machine to process wood panels or the like. BIESSE S.p.A.
- 2835240** Handle processing device. Lippert GmbH & Co. KG
- 2835245** Two component condensate hose. Vaillant GmbH
- 2835257** Proof printing press. Komori Corporation
- 2835258** Rotary screen printing press. Komori Corporation
- 2835278** Roof assembly and vehicle comprising such roof assembly. Inalfa Roof Systems Group B.V.
- 2835310** Aircraft side of body joint. The Boeing Company
- 2835336** Mechanical locking head. Manitowoc Crane Group France SAS
- 2835441** PRECIPITATION-HARDENED STAINLESS STEEL ALLOYS. General Electric Company
- 2835458** Method for producing a knitted fabric with perforations. H. Stoll AG & Co. KG
- 2835462** CV floor lining containing nonwoven fabric and nonwoven fabric. Johns Manville Europe GmbH
- 2835490** Door for industrial building. de la Porte, Peter Charles Andre
- 2835492** Insert units for non-metallic slips. Weatherford Technology Holdings, LLC
- 2835522** Device and method for letting off compressor air in an engine. Rolls-Royce Deutschland Ltd & Co KG
- 2835538** Axial flow fan and air-conditioning apparatus having the same. Mitsubishi Electric Corporation
- 2835546** Rolling bearing unit with grease reservoir. JTEKT CORPORATION
- 2835553** Disc brake assembly. Meritor Heavy Vehicle Braking Systems (UK) Limited;
-

Scania CV AB (publ)

- 2835601** Refrigerator and control method thereof. LG Electronics Inc.
- 2835624** Sensor device, motor control device, and electric power steering apparatus.  
JTEKT CORPORATION; DENSO CORPORATION
- 2835634** Methods and devices for calibrating the mobility axis of an ion mobility spectrum. Bruker Daltonik GmbH
- 2835689** Printing apparatus, information processing apparatus, printing apparatus control method, and storage medium. CANON KABUSHIKI KAISHA
- 2835817** METHOD FOR SEMI-AUTOMATED PARTICLE ANALYSIS USING A CHARGED PARTICLE BEAM. Carl Zeiss Microscopy Ltd.
- 2835925** Efficient Status Reporting for UEs in dual connectivity during mobility.  
Panasonic Intellectual Property Corporation of America
- 2835944** A DEVICE HAVING IPV6 FIREWALL FUNCTIONALITY AND METHOD RELATED THERETO. Compal Broadband Networks Inc.
- 2835986** Hearing device with input transducer and wireless receiver. Oticon A/S
- 2835988** Electric switching device. Osseofon AB
- 2835996** Methods and devices for performing a mobile network switch.  
Giesecke+Devrient Mobile Security GmbH
- 2836006** Controlling Transmission Control Protocol Data. Telefonaktiebolaget LM Ericsson (publ)
- 2836009** SYNCHRONISING RADIO CONFIGURATION PARAMETERS. Alcatel Lucent
- 2836053** Induction hob and method for operating an induction hob. Electrolux Appliances Aktiebolag
- 2837161** METHOD AND APPARATUS FOR INDIRECTLY ASSESSING A STATUS OF AN ACTIVE ENTITY. Unify GmbH & Co. KG
- 2837369** Sealing element for a wound dressing for vacuum therapy. Paul Hartmann AG
- 2837466** Clamping unit, in particular for use in a machining centre or a turning or milling center. SMW-AUTOBLOK Spannsysteme GmbH
- 2837492** Vibration welding installation with lifting, sliding and tilting table and control method for the same. Branson Ultraschall Niederlassung der Emerson Technologies GmbH & Co. oHG
- 2837505** Mechanical pencil having a removable lead cartridge. MAPED
- 2837523** Large capacity lithium-ion-battery pack. Optimum Battery Co., Ltd.
- 2837527** Lockable folding seat. Franz Kiel GmbH
- 2837591** Creel threader and method of use. RJS Corporation
- 2837666** Inkjet recording method and printed material. FUJIFILM Corporation
- 2837738** Railway track covering of fixed tracks and method for their production. Ed.
-

Züblin Aktiengesellschaft

- 2837759** APPARATUS FOR CONTROLLING THE CLOSING OF A DOOR OF A HOUSEHOLD APPLIANCE. ELBI International S.p.A.
- 2837760** Motor vehicle component. Brose Schliesssysteme GmbH & Co. KG
- 2837772** Annulus filler and corresponding stage and gas turbine engine. Rolls-Royce plc
- 2837862** A VALVE HAVING AN OPENING OR CLOSURE LIMITING DEVICE. AERIS SOLUCIONES DE CONTROL, S.L.; INGEVERT 2000, S.L.
- 2837863** Valve structure. Techno Takatsuki Co., Ltd.
- 2837883** Premixed can annular combustor with mixing lobes for the second stage of a sequential gas turbine. Ansaldo Energia Switzerland AG
- 2837896** Air humidification assembly and method for humidifying an air flow. ES Vertrieb und Service GmbH
- 2837902** Refrigerator. LG Electronics Inc.
- 2837907** Method and device for automatic acquisition of three-dimensional surfaces. Telmat Industrie (Société Anonyme)
- 2837923** Balancing machine. SEICHTER GmbH
- 2837936** Method for analysing a cork stopper for the presence of 2,4,6-trichloroanisole and device for implementing same. Cevaquo Invest
- 2837957** Fluid lens for the controlled adjustment of a predetermined focal length. Telesto GmbH
- 2837980** Control device. Elsner Elektronik GmbH
- 2838082** Voice analysis method and device, and medium storing voice analysis program. YAMAHA CORPORATION
- 2838173** ADVANCED ENERGY MONITORING AND CONTROL IN A COMPLEX SYSTEM. The Boeing Company
- 2838292** Communicating radio resource configuration information. BlackBerry Limited
- 2839048** Steel Alloy. Aktiebolaget SKF; Cambridge Enterprise Limited, The Old Schools
- 2839441** NETWORK GAME SYSTEM WITHOUT DYNAMIC OBSTRUCTIONS AND PROCESSING METHOD THEREOF. Tencent Technology (Shenzhen) Company Limited
- 2839735** Apparatus and method for separating plants. Agricultural Robotics LLC
- 2839803** Adaptive electrode for bi-polar ablation. Biosense Webster (Israel) Ltd.
- 2839834** Dermatological composition comprising plant stem cells and a derivate of salicylic acid.. Ennamany, Rachid
- 2839854** Extended hub for a safety pen needle. Becton, Dickinson and Company
- 2839911** Cutting tool. Krenn GmbH & Co. KG
- 2839923** Flexible manufacturing system. JTEKT CORPORATION
- 2839946** Transfer System and Method for Applying a Film Material to an Elongate
-

Member. The Boeing Company

- 2839987** Support rod bracket, headrest and method for mounting. GRAMMER AG
- 2839992** Carrier apparatus. C P Witter Limited
- 2840054** Surveillance device for a lift cabin. Inventio AG
- 2840066** Metal complex of fluorinated tin oxide and titanium oxide and preparation method thereof. Korea Institute of Energy Research
- 2840189** Construction machine. Hitachi Construction Machinery Tierra Co., Ltd.
- 2840190** CONSTRUCTION MACHINE. Hitachi Construction Machinery Tierra Co., Ltd.
- 2840218** Frame profile. dormakaba Deutschland GmbH
- 2840236** Bleed duct assembly for a gas turbine engine. Rolls-Royce Deutschland Ltd & Co KG
- 2840258** System and method for preventing excessive loading on a wind turbine. General Electric Company
- 2840284** Hydraulic fan control. Hydac Fluidtechnik GmbH
- 2840345** Brazed heat exchanger structure with fins with crack arrestors. Hamilton Sundstrand Corporation
- 2840373** Resonant pressure sensor and manufacturing method therefor. Yokogawa Electric Corporation
- 2840403** Quality factor estimation of a reverberant cavity. The Boeing Company
- 2840415** Method for determining a position of a mobile terminal. Siemens Convergence Creators GmbH
- 2840439** Display device. Funai Electric Co., Ltd.
- 2840454** Method and device for operating an automation installation. Avelon Cetex AG
- 2840529** Information processing apparatus, method for controlling the same, and storage medium. CANON KABUSHIKI KAISHA
- 2840624** Pouch type rechargeable battery. Samsung SDI Co., Ltd.
- 2840660** Electric connector. Iriso Electronics Co., Ltd.
- 2840661** Snap-fit junction device. Airbus Operations S.L.
- 2840665** Arrangement for facilitated connection or separation of a connector and a mating connector. TE Connectivity Germany GmbH
- 2840769** Image forming apparatus and image noise prediction method. Konica Minolta, Inc.
- 2840775** Image pickup apparatus, method of controlling image pickup apparatus, program and storage medium. Canon Kabushiki Kaisha
- 2842419** Spinning reel. SHIMANO INC.
- 2842596** Hose clamp for holding and closing a hose. Thomas Magnete GmbH
- 2842631** FILTRATION DEVICE. MANN+HUMMEL GmbH
- 2842690** Method of cutting through a conduit and machining device for machining a
-

conduit with a guiding device and a cutting and/or abrasive hand tool. Aquabad GmbH

- 2842714** Pressure equalising element. Oxyphen AG
- 2842751** Element substrate, printhead, and printing apparatus. Canon Kabushiki Kaisha
- 2842758** Modular printer. Fujitsu Component Limited
- 2842779** Bearing assembly. Magna Car Top Systems GmbH
- 2842832** Seal assembly for a steering column opening. Henniges Automotive GmbH & Co. KG
- 2843018** Form in-place gasket with tack free surface. DYMAX CORPORATION
- 2843093** Warp yarn positive feeding device for knitting machine and knitting machine. SHIMA SEIKI MFG., LTD.
- 2843132** Sprinkler for wetting a roadway and method for installing sprinklers into a roadway. Michelitsch, Wolfgang
- 2843143** Device for adjusting the level of liquid in a pipe and liquid-distribution box incorporating such a device. Perrier, Patrice
- 2843190** Closure structure and method and materials for producing the same. Stephan Schmidt KG
- 2843198** Method and control system for active rotor tip control clearance. Rolls-Royce plc
- 2843305** BURNER FOR EXHAUST GAS PURIFICATION DEVICES. Hino Motors, Ltd.
- 2843338** Vehicle attachment device for a semi-trailer or the like. Haag, Markus
- 2843385** Pressure sensor. Piezocryst Advanced Sensorics GmbH
- 2843404** Fuel property detection apparatus for construction machine. Kobelco Construction Machinery Co., Ltd.
- 2843406** Diagnostic product comprising test strips with an enzyme and a stabilising coenzyme. F. Hoffmann-La Roche AG
- 2843504** Management apparatus, control method therefor, program, and computer-readable storage medium. CANON KABUSHIKI KAISHA
- 2843511** Mobile terminal of a watch type and controlling method thereof. LG Electronics, Inc.
- 2843743** Membrane electrode units for high temperature fuel cells with improved stability. BASF SE
- 2843768** SIM CARD CONNECTOR AND MOBILE TERMINAL. Huizhou TCL Mobile Communication Co., Ltd.
- 2843899** METHOD OF RECEIVING OR TRANSMITTING A PACKET, TERMINAL THEREOF, AND SYSTEM THEREOF. Samsung Electronics Co., Ltd.
- 2843934** Image data generation method, image recording method, image data generation apparatus, and image recording apparatus. SCREEN Holdings Co., Ltd.
-

- 2844731** FUNGAL CELLS THAT PRODUCE DECREASED AMOUNTS OF PEPTAIBOLS. Danisco US Inc.
- 2845564** Computer-implemented method of generating a 3D data model of the jaw of a patient. CA DIGITAL GmbH
- 2845577** DOSER HAVING TWO NEEDLES. Chongqing Lummy Pharmaceutical Co., Ltd.
- 2845578** PREASSEMBLED MEDICINE MIXER. Chongqing Lummy Pharmaceutical Co., Ltd.
- 2845650** Manual valve. Suttner GmbH
- 2845752** SINGLE-AXLE TRAILER FOR A PASSENGER VEHICLE. Laumann, Wilfried
- 2845839** WATER SOFTENING APPARATUS. Samsung Electronics Co., Ltd.
- 2845881** RESIN COMPOSITION, MELT FORMED ARTICLE, MULTILAYER STRUCTURE, AND PROCESS FOR PRODUCING RESIN COMPOSITION. The Nippon Synthetic Chemical Industry Co., Ltd.
- 2845907** Handheld measuring device and method for the detection of mildew infestation in indoor spaces. ROBERT BOSCH GMBH
- 2845945** Method and device for cutting textile material with laser radiation. eurolaser GmbH
- 2846048** A flow deflector arrangement. Rolls-Royce plc
- 2846067** Seal assembly in an axial turbo-engine. MTU Aero Engines AG
- 2846097** A gas turbine combustion chamber with tiles having film cooling apertures. Rolls-Royce plc
- 2846144** Pressure sensor, preferably for use in hot dynamic processes. Piezocryst Advanced Sensorics GmbH
- 2846186** Light modulator and exposure head. SCREEN Holdings Co., Ltd.; Osaka University
- 2846198** Image forming apparatus. Konica Minolta, Inc.
- 2846327** ACOUSTIC MODEL TRAINING METHOD AND SYSTEM. Kabushiki Kaisha Toshiba
- 2846403** Connector terminal and method of fabricating the same. DAI-ICHI SEIKO CO., LTD.
- 2846430** Jointing device for hybrid electrical cables. Nexans
- 2846433** Energy supply unit for welding power source. Lorch Schweisstechnik GmbH
- 2846479** Testing a passive optical network. Viavi Solutions Deutschland GmbH
- 2846524** Wireless communication apparatus, wireless communication method, program, and storage medium. CANON KABUSHIKI KAISHA
- 2846587** Communication system with radio interworking capability and related user
-



- equipment. Acer Incorporated
- 2848318** A machine for transferring fluids to a moving belt and method of operation.  
Zandonai, Albert
- 2848347** Device with variable configuration for sharpening saw blades. VOLLMER  
WERKE Maschinenfabrik GmbH
- 2848376** Gripping device. Schunk GmbH & Co. KG Spann- und Greiftechnik
- 2848482** Vehicle and vehicle control method. Toyota Jidosha Kabushiki Kaisha
- 2848525** Controlling Rotor Blades of a Swashplateless Rotor. Sikorsky Aircraft  
Corporation
- 2848534** Aircraft environmental control system (ECS) selectively powered by three bleed  
ports. Hamilton Sundstrand Corporation
- 2848554** Double-walled container. Dart Container Corporation
- 2848561** Method and device for horizontal movement of layers of articles between  
adjacent conveyor modules. Kronos Aktiengesellschaft
- 2848609** Crystalline methyl ester of rosuvastatin. LEK Pharmaceuticals d.d.
- 2848699** Detection of genetic sequences using PNA probes and isotachopheresis.  
TECHNION RESEARCH AND DEVELOPMENT FOUNDATION, LTD.
- 2848712** Process for producing alumina coating composed mainly of alpha-type crystal  
structure, alumina coating composed mainly of alpha-type crystal structure,  
laminate coating including the alumina coating , member clad with the alumina  
coating or laminate coating, process for producing the member, and physical  
vapor deposition apparatus. Kabushiki Kaisha Kobe Seiko Sho (Kobe Steel, Ltd.)
- 2849078** Electronic device, control method of electronic device, and image forming  
apparatus. S-Printing Solution Co., Ltd.
- 2849080** IMAGE DISPLAY METHOD AND DEVICE. Huawei Technologies Co., Ltd.
- 2849139** Method for delivery and return of bottle crates and bottle crates equipped for the  
method. Schoeller Allibert GmbH
- 2849154** Adaptive multi-frequency shading. Intel Corporation
- 2849187** Traceable and theft deterrent reclaimable product. Southwire Company, LLC
- 2849318** Electric power for vehicles. ROBERT BOSCH GMBH
- 2849929** BLOWN FILM INSTALLATION, METHOD FOR PRODUCING A BLOWN  
FILM STRIP AND FILM PRODUCED THEREWITH. Reifenhäuser GmbH &  
Co. KG Maschinenfabrik
- 2850078** BENZOPYRYLIUM COMPOUNDS. Pierce Biotechnology, Inc.; Dyomics  
GmbH
- 2850965** Shoulder harness for portable work machine. Yamabiko Corporation
- 2851060** Filling machine and method for weighing articles. I.M.A. Industria Macchine  
Automatiche S.p.A.
-

- 2851210** Motorcycle tire. Sumitomo Rubber Industries, Ltd.
- 2851446** RESOURCE-SAVING TITANIUM ALLOY MEMBER HAVING EXCELLENT STRENGTH AND TOUGHNESS, AND METHOD FOR MANUFACTURING SAME. Nippon Steel & Sumitomo Metal Corporation
- 2851493** Door handle device for a motor vehicle. Huf Hülsbeck & Fürst GmbH & Co. KG
- 2851526** Exhaust Silencer. Faurecia Emissions Control TechnologiesGermany GmbH
- 2851763** Orientation adjustable multi-channel haptic device. Immersion Corporation
- 2851905** Systems, methods, and filters for radioactive material capture. GE-Hitachi Nuclear Energy Americas LLC
- 2851970** Semiconductor light emitting diode device. Kabushiki Kaisha Toshiba
- 2852006** Connection member for headset plug, headset jack and terminal device. Xiaomi Inc.
- 2852054** High speed amplifier. Analog Devices, Inc.
- 2852085** PROCESSING METHOD AND DEVICE FOR PERFORMING SPACE-TIME DECODING ON A MIMO SIGNAL. ZTE Corporation
- 2853277** Prefilled safety pen needle. Becton, Dickinson and Company
- 2853448** Decorative member for vehicle. Toyoda Gosei Co., Ltd.
- 2853510** Service vehicle of textile machine. Murata Machinery, Ltd.
- 2853547** MODIFIED CONJUGATED DIENE-BASED POLYMER AND PREPARATION METHOD THEREFOR. LG Chem, Ltd.
- 2853589** Differentiation of human embryonic stem cells. Janssen Biotech, Inc.
- 2853664** Door handle. Huf Hülsbeck & Fürst GmbH & Co. KG
- 2853665** Door handle. Huf Hülsbeck & Fürst GmbH & Co. KG
- 2853706** Cooling element and exhaust system, including a cooling element. Bayerische Motoren Werke Aktiengesellschaft
- 2853716** Gas turbine facility. 8 Rivers Capital, LLC
- 2854010** Method and apparatus for displaying messages. Xiaomi Inc.
- 2854149** Temperature-dependent switch with a snap disc clasped at the edge. Thermik Gerätebau GmbH
- 2854376** TRANSMISSION METHOD, DEVICE AND SYSTEM FOR MEDIA STREAM. Huawei Technologies Co., Ltd.
- 2854378** METHOD, DEVICE AND NETWORK EQUIPMENT FOR ACQUIRING FEATURE INFORMATION. Xiaomi Inc.
- 2856311** IN-VEHICLE DEVICE, MOBILE TERMINAL, INFORMATION MANAGEMENT DEVICE AND INFORMATION COMMUNICATION SYSTEM. TOYOTA JIDOSHA KABUSHIKI KAISHA
- 2856673** DISTRIBUTING CLOCK SYNCHRONIZATION INFORMATION WITHIN AN OPTICAL COMMUNICATIONS NETWORK. Telefonaktiebolaget LM
-

Ericsson (publ)

- 2857223** Caster wheel for furniture and furniture with according caster.. Tente Roulettes  
Polymeres - Bruandet
- 2857226** Tyre assembly for a bicycle rim. Ralf Bohle GmbH
- 2857299** SADDLE-TYPE VEHICLE. Honda Motor Co., Ltd.
- 2857756** Oven. Samsung Electronics Co., Ltd.
- 2857779** TURNOVER BEAM AND REFRIGERATOR PROVIDED WITH SAME.  
Hisense Ronshen Guangdong Refrigerator Co., Ltd.
- 2858171** PRINTED CIRCUIT BOARD ANTENNA AND TERMINAL. Huawei Device  
(Dongguan) Co., Ltd.
- 2859925** Coupling for electric toy or model railways. BRAWA
- 2860010** Device and method for producing a multi-layered hollow article from fibre-  
reinforced plastic. WILO SE
- 2860033** Method for printing a print substrate. manroland web systems GmbH
- 2860088** Saddle riding type vehicle. Yamaha Hatsudoki Kabushiki Kaisha
- 2860103** Passive fail safe coupling mechanism. Hamilton Sundstrand Corporation
- 2860191** Human monoclonal antibody against S. aureus derived alpha-toxin and its use in  
treating or preventing abscess formation. Aridis Pharmaceuticals, Inc.
- 2860276** STEEL PLATE. NIPPON STEEL & SUMITOMO METAL CORPORATION
- 2860795** BATTERY MODULE HAVING ASSEMBLY COUPLING STRUCTURE. LG  
Chem, Ltd.
- 2860863** SURGE PROTECTION CIRCUIT. ZTE Corporation
- 2862697** Seal device with multiple laser beams. Rovema GmbH
- 2862781** Child support apparatus. Mamas & Papas (Holdings) Limited
- 2862994** Power release double-locking latch. Magna Closures Inc.
- 2863408** Magnetic contactor. LSIS Co., Ltd.
- 2863513** Compensation of frequency deviations in grids with high turbine penetration.  
Siemens Aktiengesellschaft
- 2863580** 1+1 END-TO-END BIDIRECTIONAL SWITCHING METHOD, SYSTEM  
AND NODE. Huawei Technologies Co., Ltd.
- 2864176** STOPPING POINT DISPLAY DEVICE. Siemens Aktiengesellschaft
- 2864779** METHOD AND DEVICE FOR MEASURING THE GAS CONTENT OF A  
LIQUID AND USE OF SUCH A DEVICE. Siemens Aktiengesellschaft
- 2865089** MOTOR STARTER. Siemens Aktiengesellschaft
- 2865986** Pressurised air supply for a compressed air gun. Viva Inflatables B.V.
- 2865995** CONTROL DEVICE AND METHOD FOR DISPLAYING A DIRECTION  
AND DISTANCE DISPLAY. Volkswagen Aktiengesellschaft
- 2866307** Flat contact for a connector, receiving block for a flat contact and connector.
-

Tyco Electronics Belgium EC BVBA

- 2866602** FLUID-FILLED CHAMBER WITH A STABILIZATION STRUCTURE. NIKE Innovate C.V.
- 2867823** SYSTEM AND METHOD FOR SIMULATION OF DOWNHOLE CONDITIONS IN A WELL SYSTEM. Landmark Graphics Corporation
- 2868573** Active bleed for airfoils. Lockheed Martin Corporation
- 2869138** Hairspring for a regulating member of a mechanical watch, regulating member provided with such a hairspring, and method for manufacturing such a hairspring. Manufacture et fabrique de montres et chronomètres Ulysse Nardin Le Locle S.A.
- 2869195** APPLICATION COORDINATION SYSTEM, APPLICATION COORDINATION METHOD, AND APPLICATION COORDINATION PROGRAM. FINDEX Inc.
- 2869392** Charging method of battery and battery charging system. Samsung SDI Co., Ltd.
- 2869534** System of dynamically adjusting generation frequency of messages in vehicular networks and method thereof. Industrial Technology Research Institute
- 2870526** DISPLAY DEVICE INCLUDING TOUCHSCREEN AND METHOD FOR CONTROLLING THE SAME. LG Electronics Inc.
- 2870565** TESTING INTEGRITY OF PROPERTY DATA OF A DEVICE USING A TESTING DEVICE. Siemens Aktiengesellschaft
- 2870713** PROTECTION DEVICE AND METHOD FOR POWER TRANSMITTER. Qualcomm Incorporated
- 2871832** Mobile terminal and control method thereof. LG Electronics, Inc.
- 2872354** RAIL VEHICLE WITH A BATTERY DRIVE. Siemens Aktiengesellschaft
- 2872945** A HEAD MOUNTED DISPLAY AND METHOD OF OUTPUTTING A CONTENT USING THE SAME. Microsoft Technology Licensing, LLC
- 2873297** LED DRIVER HAVING PRIORITY QUEUE TO TRACK DOMINANT LED CHANNEL. Allegro MicroSystems, LLC
- 2874185** Organic light emitting display panel. LG Display Co., Ltd.
- 2874343** POLARIZATION-CONTROLLED ENCODER FOR UNI-DIRECTIONAL QUANTUM KEY DISTRIBUTION OVER LONG DISTANCES. University of Science and Technology of China
- 2874349** COMMUNICATION PATH PROCESSING METHOD AND APPARATUS. Huawei Technologies Co., Ltd.
- 2874371** DATA PACKET TRANSMISSION METHOD AND DEVICE. Huawei Technologies Co., Ltd.
- 2875254** COMPOSITE COIL SPRING. Mitsubishi Steel MFG. CO., LTD.
- 2875586** WIRELESS INDUCTIVE POWER TRANSFER. Koninklijke Philips N.V.
-

- 
- 2875615** DEVICE FOR CREATING SOFTWARE DEFINED ORDERED SERVICE PATTERNS IN A COMMUNICATIONS NETWORK. Huawei Technologies Co., Ltd.
- 2876912** METHOD AND APPARATUS FOR OBTAINING FLOATING INFORMATION OF USER FLOATING BETWEEN ADMINISTRATIVE REGIONS. ZTE Corporation
- 2876955** METHOD AND BS FOR RANDOM ACCESS. Huawei Technologies Co., Ltd.
- 2878642** Ink jet ink, ink jet recording method, ink cartridge, recording unit, and ink jet recording apparatus. Canon Kabushiki Kaisha
- 2879201** BATTERY WIRING MODULE. AutoNetworks Technologies, Ltd.; Sumitomo Wiring Systems, Ltd.; Sumitomo Electric Industries, Ltd.
- 2879436** METHOD, DEVICE, AND SYSTEM FOR ESTABLISHING RADIO BEARER BETWEEN USER EQUIPMENTS. Huawei Technologies Co., Ltd.
- 2879494** COMPOSITION COMPRISING A PESTICIDAL TERPENE MIXTURE AND A FUNGICIDE. Bayer CropScience AG
- 2879505** NEW FAT BLEND COMPOSITION. Bunge Növényolajipari Zártkörűen Működő Részvénytársaság
- 2879547** APPLICATOR UNIT FOR APPLYING A COSMETIC. GEKA GmbH
- 2879553** REFRIGERATED SALES CABINET. Carrier Corporation
- 2879556** SOFT THROUGH AIR DRIED TISSUE. First Quality Tissue, LLC
- 2879575** PRESSURE SENSOR CATHETER. Wellinq Medical B.V.
- 2879581** BIOLOGICAL LIQUID COLLECTION VESSELS. Siemens Healthcare Diagnostics Inc.
- 2879588** ENDOSCOPIC BIOPSY INSTRUMENT AND ENDOSCOPE. BibbInstruments AB
- 2879591** SUTURE ANCHOR DEVICE. Stabilynx, Inc.
- 2879673** 1,5,6-substituted naphthalene derivatives as sphingosine 1 phosphate (S1P) receptor and/or autotaxin (ATX) modulators for treating inflammatory and autoimmune disorders. Biogen MA Inc.
- 2879674** COMPOUNDS THAT ARE S1P MODULATING AGENTS AND/OR ATX MODULATING AGENTS. Biogen MA Inc.
- 2879779** SINGLE/PASS PULSED MEMBRANE EMULSIFICATION METHOD AND APPARATUS. Consiglio Nazionale Delle Ricerche
- 2879824** BALANCING OR MEASURING ADAPTOR. Haimer GmbH
- 2879839** SOCKET FUSION JIG. McElroy Manufacturing, Inc.
- 2879859** METHOD FOR PRODUCING A MOULD INTENDED FOR MOULDING A COMPOSITE PART. Techni-Modul Engineering
- 2879892** MOTOR VEHICLE AXLE SUSPENSION WITH LONGITUDINAL LEAF
-

SPRING. Hendrickson USA, L.L.C.

- 2879919** DETECTION OF RAIN DROPS ON A PLATE BY MEANS OF A CAMERA AND ILLUMINATION. Conti Temic microelectronic GmbH
- 2879932** AUXILIARY ASSEMBLY FRAME FOR AN ELECTRIC LOCOMOTIVE. Siemens Aktiengesellschaft
- 2879946** CUSTOMIZABLE MOUTHPIECE FOR SCUBA-DIVERS. Seacure, Inc.
- 2879984** CRANE VESSEL. Itrec B.V.
- 2880015** MULTITARGET FAAH AND COX INHIBITORS AND THERAPEUTICAL USES THEREOF. Fondazione Istituto Italiano Di Tecnologia; The Regents of the University of California; Alma Mater Studiorum -Università di Bologna
- 2880030** BRIDGED RING COMPOUNDS AS HEPATITIS C VIRUS (HCV) INHIBITORS AND PHARMACEUTICAL APPLICATIONS THEREOF. Sunshine Lake Pharma Co., Ltd.
- 2880066** POLYMERISATION PROCESS. Ineos Europe AG
- 2880080** POLYMERS, POLYMER MEMBRANES AND METHODS OF PRODUCING THE SAME. Air Products and Chemicals, Inc.
- 2880099** POLYALPHAOLEFINS PREPARED USING MODIFIED SALAN CATALYST COMPOUNDS AND PROCESS FOR PREPARING SAID POLYOLEFINS. ExxonMobil Chemical Patents Inc.; Ramot at Tel Aviv University, Ltd.
- 2880172** METHODS OF PROCESSING LIGNOCELLULOSIC BIOMASS USING SINGLE-STAGE AUTOHYDROLYSIS AND ENZYMATIC HYDROLYSIS WITH C5 BYPASS AND POST-HYDROLYSIS. Inbicon A/S
- 2880179** GENETIC MARKERS FOR PREDICTING RESPONSIVENESS TO FGF-18 COMPOUND. Merck Patent GmbH
- 2880214** Device for washing and drying a textile piece and the corresponding method. Diethart, Franz Josef
- 2880235** METHOD FOR CONTROLLING AN ADJUSTING MOVEMENT OF A VEHICLE CLOSING ELEMENT WITH COLLISION AVOIDANCE FOR A LOCK REGION AND ANTI-TRAP SYSTEM. Brose Fahrzeugteile GmbH & Co. Kommanditgesellschaft, Bamberg
- 2880250** REMOTE ACTIVATED DEFLECTOR. Halliburton Energy Services, Inc.
- 2880254** METHOD OF CUTTING A CONTROL LINE OUTSIDE OF A TUBULAR. Baker Hughes, a GE company, LLC
- 2880304** WAVE ACTIVATED POWER GENERATION SYSTEM WITH THE RACK AND PINION MECHANISM. Nozawa, Tsukasa
- 2880321** CONTROLLED TORQUE FASTENERS AND METHODS FOR USING SAME. TE Connectivity Corporation
-

- 
- 2880350** CONNECTOR ASSEMBLY FOR COMPOSITE PIPE. Magma Global Limited
- 2880373** INFLATABLE LIGHT-CONCENTRATING MIRROR. Sattler AG
- 2880393** DEVICE FOR COCKING A WEAPON, WEAPON STATION AND METHOD FOR OPERATING A WEAPON. Krauss-Maffei Wegmann GmbH & Co. KG
- 2880439** SURFACE ISOTROPY AS A MARKER FOR EPIDERMAL MATURATION. Laboratoires Expanscience
- 2880653** DECODER AND METHOD FOR MULTI-INSTANCE SPATIAL-AUDIO-OBJECT-CODING EMPLOYING A PARAMETRIC CONCEPT FOR MULTICHANNEL DOWNMIX/UPMIX CASES. Fraunhofer-Gesellschaft zur Förderung der angewandten Forschung e.V.
- 2880654** DECODER AND METHOD FOR A GENERALIZED SPATIAL-AUDIO-OBJECT-CODING PARAMETRIC CONCEPT FOR MULTICHANNEL DOWNMIX/UPMIX CASES. FRAUNHOFER-GESELLSCHAFT zur Förderung der angewandten Forschung e.V.
- 2880674** AUXILIARY ACTUATOR DEVICE FOR AN ELECTRICAL DEVICE FOR PROTECTING A LINE. Hager-Electro SAS
- 2880757** CONTROL DEVICE FOR A ROTOR BLADE SERVO DRIVE OF A WIND TURBINE. SSB Wind Systems GmbH & Co. KG
- 2880773** RADIO-FREQUENCY PROCESSING CIRCUIT AND RELATED WIRELESS COMMUNICATION DEVICE. MediaTek Inc.
- 2880780** Minimization of IDC interferences. LG Electronics Inc.
- 2880794** APPARATUS AND METHOD FOR CONFIGURING CQI AND HARQ FEEDBACK IN MULTI-FLOW COMMUNICATION. Qualcomm Incorporated
- 2880861** METHOD AND APPARATUS FOR VIDEO PROCESSING INCORPORATING DEBLOCKING AND SAMPLE ADAPTIVE OFFSET. Mediatek Inc.
- 2880904** RESOURCE ALLOCATION AND JOINT TRANSMISSION. Telefonaktiebolaget LM Ericsson (publ)
- 2880921** LISTEN INTERVAL (LI) SELECTION FOR WLAN CLIENT. Qualcomm Incorporated
- 2880922** TERMINAL REQUESTED BASE STATION CONTROLLED TERMINAL TRANSMISSION THROTTLING. Sony Mobile Communications Inc.
- 2880923** METHOD AND APPARATUS FOR SOUNDING REFERENCE SIGNAL TRIGGERING AND POWER CONTROL FOR COORDINATED MULTI-POINT OPERATIONS. Qualcomm Incorporated
- 2880949** METHODS AND APPARATUS FOR TRANSMITTING CLEAR TO SEND (CTS)-TO-SELF INDICATION. Qualcomm Incorporated
- 2881101** INTEGRATED MEDICINE MIXING INTERFACE. Chongqing Lummy
-

Pharmaceutical Co., Ltd.

- 2881284** DIRECTION-INDICATION DEVICE. Shindengen Electric Manufacturing Co., Ltd.
- 2881286** DIRECTION-INDICATION DEVICE. Shindengen Electric Manufacturing Co., Ltd.
- 2881376** INTERMEDIATE FILM FOR LAMINATED GLASS AND LAMINATED GLASS. Sekisui Chemical Co., Ltd.
- 2881479** ALLOY MATERIAL, CONTACT PROBE, AND CONNECTION TERMINAL. Yamamoto Precious Metal Co., Ltd.; Shinko Metal Products Co., Ltd.; NHK Spring Co., Ltd.
- 2881484** COLD-ROLLED STEEL SHEET, METHOD FOR PRODUCING SAME, AND HOT-STAMP-MOLDED ARTICLE. Nippon Steel & Sumitomo Metal Corporation
- 2882012** NON-AQUEOUS ELECTROLYTE SECONDARY BATTERY. TOYOTA JIDOSHA KABUSHIKI KAISHA
- 2882128** METHOD AND DEVICE FOR TRANSMITTING UPLINK CONTROL INFORMATION (UCI). China Academy of Telecommunications Technology
- 2882136** METHOD AND SYSTEM FOR IMPLEMENTING REMOTE DISASTER RECOVERY SWITCHING OF SERVICE DELIVERY PLATFORM. ZTE Corporation
- 2882169** REDUNDANT CONTENT BRIDGING BETWEEN SUBSTATION COMMUNICATION NETWORKS. ABB Schweiz AG
- 2882207** METHOD FOR REPORTING MOBILITY INFORMATION IN WIRELESS COMMUNICATION SYSTEM AND APPARATUS FOR SUPPORTING SAME. LG Electronics Inc.
- 2882219** MEASUREMENT REPORT METHOD IN WIRELESS COMMUNICATION SYSTEM AND APPARATUS FOR SUPPORTING THE SAME. LG Electronics Inc.
- 2882273** SOIL CULTIVATION DEVICE HAVING A DEVICE FOR STACKING, COLLECTING OR CULTIVATING SOIL OR MULCH. Lemken GmbH & Co. KG
- 2882280** MUTANT TOMATOES AND USE THEREOF FOR PREVENTING WEIGHT GAIN AND/OR TREATING OBESITY-RELATED CONDITIONS. Green4health B.V.
- 2882300** GUM BASES COMPRISING BLOCK COPOLYMERS. Wm. Wrigley Jr. Company
- 2882375** INTRAOPERATIVELY ADJUSTING GUIDE ALIGNMENT. Smith & Nephew, Inc.
-



- 
- 2882388 SYSTEM AND METHOD OF PRIMING A SURGICAL CASSETTE. Alcon Research, Ltd
- 2882391 INTEGRATED DRESSING DEVICE. Ethicon, Inc
- 2882400 RECONSTITUTION DEVICE. Duoject Medical Systems Inc.
- 2882404 MOUTHWASH COMPRISING PEROXY COMPOUND, A FIRST ACID AND A SECOND ACID. Colgate-Palmolive Company
- 2882410 BLENDS OF O-ACYL ISETHIONATES AND N- ACYL AMINO ACID SURFACTANTS. Galaxy Surfactants Limited
- 2882424 STABLE PHARMACEUTICAL COMPOSITION CONTAINING 8-[(3R)-3-AMINO-1-PIPERIDINYL]-7-(2-BUTYN-1-YL)-3,7-DIHYDRO-3-METHYL-1-[(4-METHYL-2-QUINAZOLINYL)METHYL]-1H-PURINE-2,6-DIONE OR A PHARMACEUTICALLY ACCEPTABLE SALT THEREOF. Sandoz AG
- 2882439 APOPTOSIS-INDUCING AGENTS. AbbVie Inc.
- 2882448 KGF/FGF7 for use in the treatment of vaginal atrophy induced by chemotherapy. Università degli Studi di Roma "La Sapienza"
- 2882458 INTERLEUKIN-2 FUSION PROTEINS AND USES THEREOF. Roche Glycart AG
- 2882472 INSTRUMENT FOR THE DEPOSITION OF ADIPOSE TISSUE IN LIPOMODELLING. Politecnico di Milano
- 2882475 DISPENSE INTERFACE FOR AN EJECTION DEVICE. Sanofi-Aventis Deutschland GmbH
- 2882477 METHOD AND DEVICE FOR ADJUSTING THE TEMPERATURE OF MEDICAL LIQUIDS. Seiratherm GmbH
- 2882481 BRIDLE DEVICE. Applied Medical Technology, Inc.
- 2882482 BREATHING TUBE ASSEMBLIES WITH ADJUSTABLE ELBOW. Fisher & Paykel Healthcare Limited
- 2882492 LED-BASED PHOTOTHERAPY PANEL CAPABLE OF FITTING IN AN X-RAY CASSETTE TRAY OF AN INCUBATOR. Koninklijke Philips N.V.
- 2882540 ROLL COATING PROCESS. DSM IP Assets B.V.
- 2882580 MOLD TOOL AND PROCESS. Surface Generation Limited
- 2882592 METHOD OF MAKING EXTENSIBLE WEB LAMINATES. 3M Innovative Properties Company
- 2882613 UTILITY VEHICLE WITH ENTRY STEPS. BOMAG GmbH
- 2882617 CONTROL METHOD AND CONTROL SYSTEM FOR A VEHICLE CLOSING ELEMENT. Brose Fahrzeugteile GmbH & Co. Kommanditgesellschaft, Bamberg
- 2882628 A COUPLING ASSEMBLY FOR OPERATING THE MANOEUVRE AND THE CONTROL OF THE BLADES OF A SWITCH POINT. Wegh Group
-

S.p.A.

- 2882643** LANDING GEAR DRIVE SYSTEMS. Airbus Operations Limited
- 2882644** LANDING GEAR DRIVE SYSTEMS. Airbus Operations Limited
- 2882653** PRODUCTION AND PACKAGING INSTALLATION FOR HYGIENE PRODUCTS AND METHOD FOR OPERATING THE SAME. Focke & Co. (GmbH & Co. KG)
- 2882656** CARTON WITH DISPENSER. Graphic Packaging International, Inc.
- 2882704** PROCESS FOR PRODUCING 2,3,3,3-TETRAFLUOROPROPENE. Daikin Industries, Ltd.
- 2882709** TRANSESTERIFICATION PROCESS OF RETINOL ESTERS. DSM IP Assets B.V.
- 2882775** ASGPR ANTIBODIES AND USES THEREOF. Roche Glycart AG
- 2882776** ANTI-JAGGED ANITBODIES AND METHODS OF USE. F.HOFFMANN-LA ROCHE AG
- 2882811** GONIOCHROMATIC PIGMENTS BASED ON OXIDIZED ALUMINIUM. Sun Chemical Corporation
- 2882816** CHEMICAL COMPOSITION SENSITIVE TO TEMPERATURE VARIATIONS AND METHOD OF PRODUCTION AND USE THEREOF.. Mandelli, Marco
- 2882841** METHOD FOR PREPARING A COMPOSITION RICH IN LUTEIN PRODUCED BY MICROALGAE. Roquette Frères
- 2882845** PLAGUE VACCINE. Institut Pasteur
- 2882848** METHOD, COMBINATION AND/OR COMPOSITION FOR INDUCING CARDIOMYOCYTE DIFFERENTIATION. Singapore Health Services Pte Ltd
- 2882856** METHODS FOR STABILIZING PRODUCTION OF ACETYL-COENZYME A DERIVED COMPOUNDS. Amyris, Inc.; Total Marketing Services
- 2882865** METHOD FOR THE DIAGNOSIS OF ROSACEA. Galderma Research & Development; Université d'Aix-Marseille; Centre National de la Recherche Scientifique
- 2882866** METHODS OF DIAGNOSING AND TREATING MEDULLARY CYSTIC KIDNEY DISEASE. Instituto Carlos Slim de la Salud, A.C.; The Broad Institute, Inc.; The General Hospital Corporation
- 2882883** TERMINAL FOR MECHANICAL SUPPORT OF A HEATING ELEMENT. Plansee SE; Veeco Instruments Inc.
- 2882890** THICK POLYCRYSTALLINE SYNTHETIC DIAMOND WAFERS FOR HEAT SPREADING APPLICATIONS AND MICROWAVE PLASMA CHEMICAL VAPOUR DEPOSITION SYNTHESIS TECHNIQUES. Element Six Technologies Limited
-

- 
- 2882891** METHODS FOR MANUFACTURING FLUID-FILLED CHAMBERS INCORPORATING SPACER TEXTILE MATERIALS. NIKE Innovate C.V.
- 2882900** FLUFF PULP AND HIGH SAP LOADED CORE. International Paper Company
- 2882916** DOOR OPENER FOR A DOOR IN A BUILDING. Assa Abloy Sicherheitstechnik GmbH
- 2882917** GLASS-DOOR OPENER. Assa Abloy Sicherheitstechnik GmbH
- 2882922** WELL BORE CASING MILL WITH EXPANDABLE CUTTER BASES. Deltide Energy Services LLC
- 2882932** SYSTEM FOR PRODUCING AND SEPARATING OIL. Shell Internationale Research Maatschappij B.V.
- 2882936** FLEXIBLE CONNECTION ROD. BARNES GROUP INC.
- 2882945** AIR DRIVEN REDUCTANT DELIVERY SYSTEM. Nanjing Keyi Environmental Protection Science and Technology Co. Ltd.
- 2882987** METHOD OF WEIGHTING A PIPE AND A WEIGHTED PIPE. Uponor Infra Oy
- 2883014** THREAT SIMULATING SYSTEM. IMI Systems Ltd.
- 2883020** SYSTEMS AND METHODS FOR CONTROL, MONITORING AND MAPPING OF AGRICULTURAL APPLICATIONS. The Climate Corporation
- 2883042** METHOD AND DEVICE FOR INSPECTING PHOTOVOLTAIC MODULES. SOLARZENTRUM STUTTGART GMBH
- 2883051** IMMUNOASSAY-BASED DETERMINATION OF IN-SOLUTION BINDING KINETICS. F.HOFFMANN-LA ROCHE AG
- 2883058** BIOMARKERS FOR TYPE 2 DIABETES. Deutsche Diabetes-Forschungsgesellschaft E.V. - Träger Des Deutschen Diabetes-Zentrums Düsseldorf; Helmholtz Zentrum München - Deutsches Forschungszentrum für Gesundheit und Umwelt (GmbH); Eberhard Karls Universität Tübingen Medizinische Fakultät
- 2883060** NT-proCNP AS A BIOMARKER OF VASCULAR DISORDERS AND PREGNANCY COMPLICATION. Otago Innovation Limited
- 2883066** IMPROVED MAGNETIC FIELD CONTROL. Scott Technology NZ Limited
- 2883079** CALIBRATION OF MULTIPLE APERTURE ULTRASOUND PROBES. Maui Imaging, Inc.
- 2883081** FRIEND OR FOE IDENTIFICATION SYSTEM AND METHOD. Israel Aerospace Industries Ltd.
- 2883085** GAMMA-RAY SPECTROMETER. Symetrica Limited
- 2883180** SYSTEM FOR PROVIDING MULTIPLE LEVELS OF AUTHENTICATION BEFORE DELIVERING PRIVATE CONTENT TO CLIENT DEVICES. Chipp'd Ltd.
-

- 2883182** DEVICE ASSEMBLY FOR CARRYING OUT OR RELEASING AN ELECTRONIC SERVICE AND METHOD FOR SECURELY ENTERING AUTHORIZATION DATA. Rosch Holding & Consulting GmbH
- 2883206** LOCALIZATION OF FIBROUS NEURAL STRUCTURES. Brainlab AG
- 2883262** METAL/OXYGEN BATTERY WITH MODIFIED ELECTRODE. Robert Bosch GmbH; Kozinsky, Boris; Christensen, John F.; Albertus, Paul
- 2883266** BATTERY PACK CONDENSATION PREVENTION. Robert Bosch Battery Systems LLC
- 2883270** EHF ENABLED DISPLAY SYSTEMS. Keyssa, Inc.
- 2883298** MULTIPLE POWER SUPPLY SYSTEMS AND METHODS. Northrop Grumman Systems Corporation
- 2883314** METHODS AND APPARATUS FOR COHERENT DUOBINARY SHAPED PM-QPSK SIGNAL PROCESSING. ZTE (USA) Inc.
- 2883334** TECHNIQUES FOR FLOODING OPTIMIZATION FOR LINK STATE PROTOCOLS IN A NETWORK TOPOLOGY. Cisco Technology, Inc.
- 2883339** A SYSTEM AND METHOD FOR EXTENDING SCIM / SERVICE BROKER PROCESSING WITH AN IMS INITIAL FILTER CRITERIA (IFC) FOR PIPELINE PROCESSING. Oracle International Corporation
- 2883342** VIRTUAL DESKTOP POLICY CONTROL. Cisco Technology, Inc.
- 2883353** SYSTEM AND METHOD OF OVERLAYING IMAGES OF DIFFERENT MODALITIES. Hologic Inc.
- 2883370** INFORMATION PROCESSING TERMINAL, INFORMATION PROCESSING METHOD, PROGRAM, AND INFORMATION STORAGE MEDIUM. Sony Interactive Entertainment Inc.; Sony Computer Entertainment America LLC
- 2883395** COORDINATED MULTIPOINT NETWORK MEASUREMENT SET MANAGEMENT. Nokia Technologies Oy
- 2883399** ACHIEVING BEST EFFORT PERFORMANCE WITH INTERFERING COMMUNICATIONS SYSTEM EQUIPMENT. OCT Circuit Technologies International Limited
- 2883401** UPLINK INTERFERENCE MITIGATION IN HETEROGENEOUS MOBILE NETWORKS. Telecom Italia S.p.A.
- 2883637** COATED TOOL. Tungaloy Corporation
- 2883641** ELECTRIC DISCHARGE MACHINING DEVICE. Sodick Co., Ltd.
- 2883724** REGISTER. Howa Plastics Co., Ltd.; Toyota Jidosha Kabushiki Kaisha
- 2883799** STEAM SPRAY DEVICE AND SPACECRAFT. IHI Corporation; IHI Aerospace Co., Ltd.
- 2883802** MANUAL BUNDLING TOOL. HellermannTyton Co., Ltd.
- 2883803** MANUAL BUNDLING TOOL. HellermannTyton Co., Ltd.
-

- 
- 2883892** ORGANIC-INORGANIC COMPOSITE PARTICLES, DISPERSION LIQUID CONTAINING SAME, RESIN COMPOSITION CONTAINING SAME, AND METHOD FOR PRODUCING ORGANIC-INORGANIC COMPOSITE PARTICLES. Tohoku University
- 2884000** MICROFIBROUS CELLULOSE AGGREGATE, METHOD FOR MANUFACTURING MICROFIBROUS CELLULOSE AGGREGATE, AND METHOD FOR REMANUFACTURING MICROFIBROUS CELLULOSE DISPERSION LIQUID. Oji Holdings Corporation
- 2884068** EXHAUST GAS PURIFICATION APPARATUS FOR AN INTERNAL COMBUSTION ENGINE. Toyota Jidosha Kabushiki Kaisha
- 2884136** WIRE ROD FOR TAPER FACED COMPRESSION RING AND TAPER FACED COMPRESSION RING. Kabushiki Kaisha Riken
- 2884174** BURNER. Hino Motors, Ltd.
- 2884324** OBSERVATION DEVICE. Mechanojenic Japan K.K.; Hamamatsu Photonics K.K.
- 2884375** Master/slave control of touch sensing. Apple Inc.
- 2884496** NUCLEAR REACTOR MONITORING DEVICE, NUCLEAR REACTOR CONTROL DEVICE, AND NUCLEAR POWER GENERATION PLANT. Mitsubishi Heavy Industries, Ltd.
- 2884503** POWER INDUCTION DEVICE AND METHOD FOR IMPLEMENTING SHUNTING MEASUREMENT THROUGH INDUCTIVE WINDING. Eaton Corporation
- 2884579** DIELECTRIC FILTER. Nokia Solutions and Networks Oy
- 2884589** ELECTRICALLY CONNECTED STRUCTURE, GLASS PLATE HAVING TERMINAL INCLUDING SAID STRUCTURE ATTACHED THERETO, AND MANUFACTURING METHOD FOR GLASS PLATE HAVING TERMINAL ATTACHED THERETO. Asahi Glass Company, Limited
- 2884617** WIRELESS CHARGING DEVICE, PROGRAM THEREFOR AND AUTOMOBILE UTILIZING IT. Panasonic Intellectual Property Management Co., Ltd.
- 2884744** METHOD AND APPARATUS FOR TRANSCEIVING IMAGE COMPONENT FOR 3D IMAGE. LG Electronics Inc.
- 2884804** METHOD AND DEVICE FOR UPDATING SYSTEM INFORMATION IN WIRELESS LAN SYSTEM. LG Electronics Inc.
- 2884819** INDUCTION HEATING DEVICE FOR MOLD. Tokuden Co., Ltd.
- 2884847** IMPROVED DOUBLE CLIPPER AND CLIPPING METHOD. Precitec Corp.
- 2884850** STABILIZED AERATED FROZEN CONFECTION CONTAINING HYDROPHOBIN. Unilever PLC
-

- 2884865** A BRAZED JOINT FOR ATTACHMENT OF GEMSTONES. Forever Mount, LLC
- 2884870** ADAPTER DEVICE FOR A DRAWER. Paul Hettich GmbH & Co. KG
- 2884873** CARTRIDGE HOLDER. S. C. Johnson & Son, Inc.
- 2884900** CAMERA-BASED VISUAL ADJUSTMENT OF A MOVABLE X-RAY IMAGING SYSTEM. Koninklijke Philips N.V.
- 2884925** BONE PLATE SUTURE ANCHOR. Synthes GmbH
- 2884927** DRUG ELUTING SURGICAL SCREW. Synthes GmbH
- 2884928** ABLATION DEVICE WITH MEANS FOR HEATING A FLUID, WITH AN ELECTRODE AND WITH A HANDLE PROVIDED AT AN ANGLE. Thermedical, Inc.
- 2884931** CATHETERS FOR INTRACARDIAC ELECTRICAL MAPPING. Medtronic Ablation Frontiers LLC
- 2884963** STABLE PHARMACEUTICAL FORMULATION OF CABAZITAXEL. Yung Shin Pharm. Ind. Co. Ltd.; Carlsbad Technology Inc
- 2884965** INTERNAL STRUCTURED SELF ASSEMBLING LIPOSOMES. Froese, Aaron
- 2884974** USE IN ONE PILL/TABLET/CAPSULE MINOCYCLINE, ACYCLOGUANOSINE, ATORVASTATIN AND VITAMIN D3 IN THE TREATMENT OF RHEUMATOID ARTHRITIS. De Silvestri, Fabrizio; Romani, Edoardo
- 2884977** N-ALKYLATED INDOLE AND INDAZOLE COMPOUNDS AS RORgammaT INHIBITORS AND USES THEREOF. Merck Sharp & Dohme Corp.
- 2884981** 4-HETEROARYL SUBSTITUTED BENZOIC ACID COMPOUNDS AS RORgammaT INHIBITORS AND USES THEREOF. Merck Sharp & Dohme Corp.
- 2884982** SUBSTITUTED PHENYL SPLEEN TYROSINE KINASE (Syk) INHIBITORS. Merck Sharp & Dohme Corp.; Merck Canada Inc.
- 2884983** BENZODIAZEPINES FOR TREATING SMALL CELL LUNG CANCER. GlaxoSmithKline LLC
- 2884991** METHOD FOR PRODUCING A COMPOSITION FOR TREATING A TOOTH LESION. Credentis AG
- 2885023** SYRINGE. Coeur, Inc.
- 2885031** DRUG DELIVERY DEVICE AND METHOD FOR ELECTRICALLY DETECTING CONTACT BETWEEN PISTON ROD AND CARTRIDGE BUNG. Sanofi-Aventis Deutschland GmbH
- 2885032** DRUG DELIVERY DEVICE AND METHOD FOR DETECTING CONTACT BETWEEN PISTON ROD AND CARTRIDGE BUNG VIA DISTANCE
-

- MEASUREMENT. Sanofi-Aventis Deutschland GmbH
- 2885057** OUTDOOR TRAMPOLINE LANE. Eurotramp Trampoline - Kurt Hack GMBH
- 2885083** FULL CONE AIR-ASSISTED SPRAY NOZZLE ASSEMBLY. Spraying Systems Co.
- 2885100** WIRELESS COMMUNICATION NETWORK FOR CONTROL OF INDUSTRIAL EQUIPMENT IN HARSH ENVIRONMENTS. Illinois Tool Works Inc.
- 2885117** VACUUM LOADER FOR CONVEYING POWDER. Colourmate Inc.
- 2885124** ADDITIVE MANUFACTURING SYSTEM WITH EXTENDED PRINTING VOLUME, AND METHODS OF USE THEREOF. Stratasys, Inc.
- 2885125** FORMATION, REPAIR AND MODIFICATION OF LAY UP TOOLS. Commonwealth Scientific and Industrial Research Organisation
- 2885126** MECHANICAL FASTENING NETS AND METHODS OF MAKING THE SAME. 3M Innovative Properties Company
- 2885132** SYSTEM AND METHOD FOR APPLYING IMAGES TO PLANAR AND/OR NON-PLANAR SURFACES OF A TARGET OBJECT. Illinois Tool Works Inc.
- 2885133** PRINT HEAD NOZZLE FOR USE WITH ADDITIVE MANUFACTURING SYSTEM. Stratasys, Inc.
- 2885145** AUTOMATIC HYBRID TRANSMISSION. Bayerische Motoren Werke Aktiengesellschaft
- 2885166** AIRBAG MODULE WITH AN ADAPTIVE INFLUENCING DEVICE. Autoliv Development AB
- 2885197** AGRICULTURAL VEHICLE CONSOLE TRACK SYSTEM. CNH Industrial Belgium N.V.
- 2885204** BALLOON POWER SOURCES WITH A BUOYANCY TRADE-OFF. X Development LLC
- 2885212** CLUSTER PACK AND METHOD FOR FORMING CLUSTER PACKS. KHS GmbH
- 2885226** METHOD AND SYSTEM FOR DISPENSING A COMPOSITION. S.C.JOHNSON & SON, INC.
- 2885229** LINK MEMBER HAVING A CURVED BEARING SURFACE. Ashworth Bros., Inc.
- 2885236** METHOD IN THE MANAGEMENT OF DATA RELATING TO AN ELEVATOR. KONE Corporation
- 2885247** MIXED SULPHATE CONTAINING LITHIUM-MANGANESE-IRON-METAL PHOSPHATE. Johnson Matthey PLC
- 2885287** PESTICIDALLY ACTIVE PYRIDYL- AND PYRIMIDYL- SUBSTITUTED PYRAZOLE DERIVATIVES. Syngenta Participations AG
-

- 2885297** TRISUBSTITUTED PYRIDO[3,2-D]PYRIMIDINES, THEIR PREPARATION PROCESS AND THEIR THERAPEUTICAL USES. Centre National de la Recherche Scientifique (C.N.R.S.); Universite D'Orleans
- 2885298** CHEMICAL PROCESS. Glaxo Group Limited
- 2885302** PROCESS FOR THE PREPARATION OF DIPEPTIDYLPEPTIDASE INHIBITORS. Glenmark Pharmaceuticals Limited
- 2885349** PROCESS FOR CURING THERMOSET RESINS. Akzo Nobel Chemicals International B.V.
- 2885357** INKS FOR INK-JET PRINTING. Fujifilm Imaging Colorants, Inc.
- 2885363** ADHESIVES COMPRISING GRAFTED ISOBUTYLENE COPOLYMER. 3M Innovative Properties Company
- 2885381** DEVICE AND METHOD FOR INTRODUCING OXYGEN INTO A PRESSURIZED FLUIDIZED-BED GASIFICATION PROCESS. ThyssenKrupp Industrial Solutions AG
- 2885391** ADW DETERGENT COMPOSITION. Reckitt Benckiser Finish B.V.
- 2885422** SYSTEMS, MODELS AND METHODS FOR IDENTIFYING AND EVALUATING SKIN-ACTIVE AGENTS EFFECTIVE FOR TREATING AN ARRAY OF SKIN DISORDERS. The Procter & Gamble Company
- 2885423** SYSTEMS FOR IDENTIFYING AND EVALUATING SKIN-ACTIVE AGENTS EFFECTIVE FOR TREATING AN ARRAY OF SKIN DISORDERS. The Procter & Gamble Company
- 2885427** COLORECTAL CANCER METHYLATION MARKER. Max-Planck-Gesellschaft zur Förderung der Wissenschaften
- 2885432** COMPOSITIONS AND METHODS FOR DETECTION OF HERPES SIMPLEX VIRUS 1 AND 2. F.HOFFMANN-LA ROCHE AG
- 2885449** BIODEGRADABLE TEXTILES AND METHODS OF THEIR MANUFACTURE. Politechnika Łódzka; Instytut Biopolimerów I Włókien Chemicznych; Centrum Materialow Polimerowych i Weglowych PAN; Instytut Włókiennictwa
- 2885458** METHOD AND INTERMEDIATE FOR THE PRODUCTION OF HIGHLY REFINED OR MICROFIBRILLATED CELLULOSE. Stora Enso Oyj
- 2885467** Potable water installation with lead detection. Hans Sasserath GmbH & Co. KG.
- 2885487** PRESSURE ACTIVATED DOWN HOLE SYSTEMS AND METHODS. Halliburton Energy Services, Inc.
- 2885523** VACUUM INSULATED VENTURI METER FOR AN EXHAUST GAS RECIRCULATION APPARATUS. Mack Trucks, Inc.
- 2885546** VARIABLE WALL THICKNESS COLLAR. Pinheiro, Rodrigo; Koontz, Elaine; Haylock, Luke; Arconic Inc.
-



- 
- 2885548** RIVETLESS NUT PLATE, RIVETLESS NUT PLATE ASSEMBLIES, WORKPIECES CONTAINING RIVETLESS NUT PLATE FASTENERS, AND RELATED METHODS. Greene, Tweed Technologies, Inc.
- 2885568** INTERMEDIATE COUPLING FOR CONNECTING RIGID-PIPE ELEMENTS FOR CONVEYING A FLUID, AND ASSOCIATED PIPE NETWORK AND ASSEMBLY METHOD. Technip France
- 2885591** THERMAL ENERGY STORAGE SYSTEMS. Phase Change Energy Solutions, Inc.
- 2885600** DEVICE AND METHOD FOR COUPLING AN ATTACHMENT TO A VEHICLE. Krauss-Maffei Wegmann GmbH & Co. KG
- 2885608** HAND-HELD DISTANCE MEASURING DEVICE WITH ANGLE CALCULATION UNIT. Leica Geosystems AG
- 2885615** FREEZE INDICATOR EMPLOYING LIGHT SCATTERING AND METHOD OF MAKING SAME. Temptime Corporation
- 2885622** DEVICE AND METHOD FOR DETERMINING THE DISSOLUTION KINETICS OF COLLOIDAL NANOPARTICLES. Fondazione Istituto Italiano Di Tecnologia
- 2885640** PROSTATE CANCER PROGNOSTICS USING BIOMARKERS. Genomedx Biosciences, Inc.; MAYO FOUNDATION FOR MEDICAL EDUCATION AND RESEARCH
- 2885684** MOWER WITH OBJECT DETECTION SYSTEM. Husqvarna AB
- 2885686** 90 DEGREE MAGNETIC LATCH TO PREVENT HIGH SURFACE FLUX. Amazon Technologies, Inc.
- 2885702** METHOD AND DEVICE FOR CONTROLLING INVOCATION OF AN APPLICATION PROGRAMMING INTERFACE. Tencent Technology Shenzhen Company Limited
- 2885714** DATA CACHE PREFETCH HINTS. Advanced Micro Devices, Inc.
- 2885732** SEARCHABLE ENCRYPTED DATA. Visa International Service Association
- 2885812** THIN SUBSTRATE PoP STRUCTURE. Apple Inc.
- 2885817** FABRICATION OF OPTICS WAFER. Heptagon Micro Optics Pte. Ltd.
- 2885823** METHODS FOR FORMING THERMOELECTRIC DEVICES. Matrix Industries, Inc.
- 2885830** ELECTRODE STRUCTURES FOR THREE-DIMENSIONAL BATTERIES. Enovix Corporation
- 2885846** BRUSH HOLDER ASSEMBLY MAINTENANCE METHOD. Cutsforth Inc.
- 2885877** ROBUST HANDSHAKE PROCEDURE IN CROSS-TALK ENVIRONMENTS. Ikanos Communications, Inc.
- 2885885** METHOD AND APPARATUS FOR TRANSMITTING INDICATION IN
-

WIRELESS COMMUNICATION SYSTEM. LG Electronics Inc.

- 2885887** SYSTEMS AND METHODS FOR POWER OPTIMIZED FRAMING. Adtran, Inc.
- 2885912** PICTURES POSITIONING ON DISPLAY ELEMENTS. Essilor International
- 2885916** INTER-VIEW PREDICTED MOTION VECTOR FOR 3D VIDEO. Qualcomm Incorporated
- 2885920** CONSUMPTION AND CAPTURE OF MEDIA CONTENT SENSED FROM REMOTE PERSPECTIVES. Intel Corporation
- 2885948** SYSTEMS AND METHODS FOR DETERMINING MEASUREMENT POWER OFFSETS. Telefonaktiebolaget LM Ericsson (publ)
- 2885951** PRECODING CODEBOOK BITMAPS IN TELECOMMUNICATIONS. Telefonaktiebolaget LM Ericsson (publ)
- 2885971** SYNERGISTIC FUNGICIDE COMPOSITION. Jiangsu Huifeng Agrochemical Co., Ltd.
- 2886082** COMPRESSION DEVICE FOR ARTIFICIAL VALVE REPLACING DEVICE. Venus Medtech (Hangzhou), Inc.
- 2886296** BLOW MOLD UNIT, BLOW MOLDING MACHINE, AND METHOD FOR FIXING BLOW MOLD UNIT. NISSEI ASB MACHINE CO., LTD.
- 2886297** BLOW MOLDING MACHINE. Nissei ASB Machine Co., Ltd.
- 2886386** TRAIN-INFORMATION MANAGEMENT DEVICE AND DEVICE CONTROL METHOD. Mitsubishi Electric Corporation
- 2886390** VEHICLE SEAT. Delta Tooling Co., Ltd.
- 2886484** CONTAINER AND COVER ANCHORING STRUCTURE THEREON. Shanghai Hongyan Returnable Transit Packagings Co., Ltd.
- 2886556** NOVEL MONOCLONAL ANTIBODY WHICH IS SPECIFICALLY BOUND TO TM4SF5 PROTEIN AND USE THEREOF. Korea Research Institute of Bioscience and Biotechnology; SNU R&DB Foundation
- 2886608** POLYETHER POLYAMIDE COMPOSITION. Mitsubishi Gas Chemical Company, Inc.
- 2886625** FOAM-FORMING AEROSOL PRODUCT. Toyo Aerosol Industry Co., Ltd.
- 2886885** STUD LOCKING TOOL. Newfrey LLC
- 2887058** SAMPLE ANALYSIS METHOD. Quantum Biosystems Inc.
- 2887112** STRUCTURE FOR VOICE COIL MOTOR PROVIDING CONTROLLABLE LENS TILT CAPABILITY. AP Photonics (Shenzhen) Limited
- 2887476** WIRE HARNESS EXTERIOR MEMBER AND WIRE HARNESS. Yazaki Corporation
- 2887705** METHODS, BASE STATION AND USER EQUIPMENTS FOR DOWNLINK DATA TRANSMISSION OF MULTI-USER COOPERATIVE
-

- COMMUNICATION. Huawei Technologies Co., Ltd.
- 2887749** RESOURCE ALLOCATION METHOD AND BASE STATION. Comba Telecom System (China) Ltd.
- 2887792** IMPROVED CHOPPER ASSEMBLY FOR A HARVESTING IMPLEMENT. Straeter, James E.
- 2887844** PORTAFILTER FOR CAPSULE. Breville Pty Limited
- 2887848** SAFETY SYSTEM FOR HOUSEHOLD FOOD-PROCESSING DEVICE. Koninklijke Philips N.V.
- 2887856** WAREWASH MACHINE CHEMICAL SENSOR AND RELATED SYSTEM AND METHOD. Premark FEG L.L.C.
- 2887885** TISSUE FIXATION DEVICE. Covidien LP
- 2887904** SEGMENTED HERNIA PATCH FRAME. Brown, Roderick B.
- 2887938** METHODS OF PREPARING TECOVIRIMAT. Siga Technologies, Inc.
- 2887975** SURGICAL SWAB WASHING METHOD AND APPARATUS. Swabtech Limited
- 2888002** IMPLANTABLE ELECTRICAL STIMULATION SYSTEMS WITH SHIELDING. Boston Scientific Neuromodulation Corporation
- 2888049** METHOD AND APPARATUS FOR REDUCING GIVE IN A CRUSHER. Metso Minerals, Inc.
- 2888078** DEVICE FOR PROVIDING RETAINING AND/OR PROCESSING APPARATUSES AND SYSTEM. ThyssenKrupp System Engineering GmbH
- 2888096** Method and apparatus for manufacturing composite articles. The University of Bristol
- 2888123** HYBRID POWERTRAIN FOR A MOTOR VEHICLE, HYBRID VEHICLE, AND USE THEREOF. Volkswagen Aktiengesellschaft
- 2888163** CONTROL SURFACE ACTUATION ASSEMBLY. Moog Wolverhampton Limited
- 2888208** MULTI-PURPOSE MORTAR OR CEMENT COMPOSITIONS FOR CONSTRUCTION APPLICATIONS. Sika Technology AG
- 2888218** PROCESS FOR PRODUCTION OF DME FROM CRUDE METHANOL. Haldor Topsøe A/S
- 2888234** HAPTENS OF ARIPIRAZOLE AND THEIR USE IN IMMUNOASSAYS. Janssen Pharmaceutica NV
- 2888237** METHOD FOR PREPARATION OF THIAZOLE DERIVATIVES. DSM IP Assets B.V.
- 2888263** HAPTENS OF RISPERIDONE AND PALIPERIDONE. Janssen Pharmaceutica NV
- 2888265** BIVALENT INHIBITORS OF IAP PROTEINS AND THERAPEUTIC
-

- METHODS USING THE SAME. The Regents of The University of Michigan
- 2888282** MESOTHELIN DOMAIN-SPECIFIC MONOCLONAL ANTIBODIES AND USE THEREOF. The U.S.A. as represented by the Secretary, Department of Health and Human Services
- 2888286** ANTIBODIES TO QUETIAPINE HAPTENS AND USE THEREOF. Janssen Pharmaceutica NV
- 2888299** STABILIZED AQUEOUS WATER CLARIFIER COMPOSITION AND METHODS OF USE. Dow Global Technologies LLC
- 2888311** BRANCHED POLYMERIC EMULSIFIERS. Lubrizol Advanced Materials, Inc.
- 2888323** POLYMER MIXTURES FOR THE PRODUCTION OF THIN-WALLED INJECTION MOLDED PARTS. BASF SE
- 2888329** STRAPPING ADHESIVE TAPE. tesa SE
- 2888346** METHOD TO IMPROVE THE PERFORMANCE OF ENCAPSULATED FRAGRANCES. Firmenich SA
- 2888347** RAKING AND GRAIN-REMOVING APPARATUS. Krones AG
- 2888373** ANTIBODIES TO ARIPIRAZOLE AND USE THEREOF. Janssen Pharmaceutica NV
- 2888377** METHOD FOR HEAT TREATING A STEEL COMPONENT AND A STEEL COMPONENT. Aktiebolaget SKF
- 2888385** COATED STEEL STRIP OR SHEET HAVING ADVANTAGEOUS PROPERTIES. Tata Steel IJmuiden BV
- 2888395** METHODS AND APPARATUS TO ASSEMBLE ACTUATORS. Fisher Controls International LLC
- 2888559** SENSOR ARRANGEMENT FOR DETECTING ANGLES OF ROTATION ON A ROTATED COMPONENT. Robert Bosch GmbH
- 2888592** ANTIBODIES TO QUETIAPINE AND USE THEREOF. Janssen Pharmaceutica NV
- 2888602** METHOD FOR THE IMPROVED ACTIVATION OF ULTRASONIC SENSORS, DRIVER ASSISTANCE DEVICE AND MOTOR VEHICLE. Valeo Schalter und Sensoren GmbH
- 2888716** TARGET OBJECT ANGLE DETERMINATION USING MULTIPLE CAMERAS. Microsoft Technology Licensing, LLC
- 2888741** UNIPOLAR MEMORY DEVICES. Micron Technology, Inc.
- 2888789** SOLID-STATE LASER DEVICE AND METHOD FOR THE PRODUCTION THEREOF. TRUMPF Laser GmbH
- 2888915** NETWORK NODE AND METHOD THEREIN FOR MANAGING RADIO RESOURCES. Telefonaktiebolaget LM Ericsson (publ)
- 2888921** RADIO RESOURCE CONTROL CONNECTION ESTABLISHMENT.
-

- Telefonaktiebolaget LM Ericsson (publ)
- 2888925** DOMESTIC APPLIANCE DEVICE. BSH Bosch und Siemens Hausgeräte GmbH
- 2889008** SUTURE DEVICE. Olympus Corporation
- 2889141** LIQUID JETTING DEVICE. Seiko Epson Corporation
- 2889185** HIGH-VOLTAGE HARNESS CONNECTION STRUCTURE FOR ELECTRIC VEHICLE. Nissan Motor Company, Limited
- 2889227** PACKAGING METHOD FOR GRANULAR SUBSTANCE AND DEVICE FOR PACKAGING GRANULAR SUBSTANCE. Mitsubishi Gas Chemical Company, Inc.
- 2889267** CARBON NANOMATERIAL, COMPOSITION, CONDUCTIVE MATERIAL, AND MANUFACTURING METHOD THEREFOR. Japan Science And Technology Agency
- 2889284** METHOD FOR PRODUCING IRON CARBONATE. Mitsubishi Chemical Corporation
- 2889322** METHOD FOR PRODUCING THERMOPLASTIC ELASTOMER COMPOSITION. The Yokohama Rubber Co., Ltd.
- 2889333** MODIFIED SILICA COMPOSITION. Adeka Corporation
- 2889338** PAINT FOR EXHAUST SYSTEM COMPONENT AND EXHAUST SYSTEM COMPONENT. Ibiden Co., Ltd.
- 2889385** STRAIGHT BARREL TYPE VACUUM REFINING DEVICE AND METHOD FOR USE THE SAME. Magang (Group) Holding Co. Ltd.; Maanshan Iron & Steel Co. Ltd.
- 2889389** NON-ORIENTED ELECTRICAL STEEL SHEET BEING LESS IN DETERIORATION OF IRON LOSS PROPERTY BY PUNCHING. JFE Steel Corporation
- 2889391** THICK STEEL PLATE HAVING GOOD ULTRALOW-TEMPERATURE TOUGHNESS. Kabushiki Kaisha Kobe Seiko Sho (Kobe Steel, Ltd.)
- 2889394** CAST STEEL FOR CONSTRUCTION EQUIPMENT BUCKET PARTS AND PARTS FOR CONSTRUCTION EQUIPMENT BUCKET COMPRISING THE SAME. Doosan Infracore Co., Ltd.
- 2889438** SANDWICH PANEL AND METHOD FOR MANUFACTURING SAME. LG Hausys, Ltd.
- 2889559** AIR-CONDITIONING DEVICE. Mitsubishi Electric Corporation
- 2889623** EXOSOME ANALYSIS METHOD, EXOSOME ANALYSIS APPARATUS, AND USE OF EXOSOME ELECTROPHORESIS CHIP. The University of Tokyo; Nikon Corporation
- 2889857** Gamma reference voltage generating circuit and display device including the
-

same. LG Display Co., Ltd.

- 2889873** IMAGE DISPLAY DEVICE AND IMAGE DISPLAY METHOD, INFORMATION COMMUNICATION TERMINAL AND INFORMATION COMMUNICATION METHOD, AND IMAGE DISPLAY SYSTEM. Sony Corporation
- 2889890** ELECTRONIC COMPONENT ASSEMBLY, CONNECTION STRUCTURE OF ELECTRONIC COMPONENT ASSEMBLY AND TERMINAL FITTING, AND ELECTRICAL CONNECTION BOX HAVING ELECTRONIC COMPONENT ASSEMBLY. Yazaki Corporation
- 2889939** GAS-DIFFUSION ELECTRODE MEDIUM FOR FUEL CELL. Toray Industries, Inc.
- 2890188** ELECTRIC ENERGY OPTIMIZATION METHOD AND SYSTEM. ZTE Corporation
- 2890281** APPARATUS FOR DISPENSING SANITIZER FLUID VIA DOOR HANDLES. Altitude Medical Inc.
- 2890297** DROPOUT DETECTION IN CONTINUOUS ANALYTE MONITORING DATA DURING DATA EXCURSIONS. Abbott Diabetes Care, Inc.
- 2890317** APPARATUS FOR DERMATOLOGICAL TREATMENT. The General Hospital Corporation
- 2890346** METHOD OF MANUFACTURE OF ARTICLE FOR DELIVERING HEALTH-BENEFIT AGENT. Kimberly-Clark Worldwide, Inc.
- 2890364** FORMULATION FOR THE DELIVERY OF NUCLEOTIDE SEQUENCES THAT CAN MODULATE ENDOGENOUS INTERFERING RNA MECHANISMS. Commissariat à l'Energie Atomique et aux Energies Alternatives
- 2890413** A COLOR-CHANGING COMPOSITION AND MATERIAL. Kimberly-Clark Worldwide, Inc.
- 2890439** DEVICES FOR MODULATING MEDIUM DELIVERY. Osprey Medical Inc.
- 2890473** SEPARATION DEVICE FOR SEPARATING IMPURITIES FROM GASES. Hydac Process Technology GmbH
- 2890623** SYSTEMS AND METHODS FOR SELECTING AND GROUPING PRODUCTS. Graphic Packaging International, Inc.
- 2890821** METHOD AND PRODUCTION FACILITY FOR PRODUCING A HOT-FORMED OR PRESS-HARDENED SHAPED SHEET METAL PART WITH A METALLIC CORROSION PROTECTION COATING, SHAPED SHEET METAL PART PRODUCED THEREWITH AND MOTOR VEHICLE BODY WITH SUCH SHAPED SHEET METAL PART. Bayerische Motoren Werke Aktiengesellschaft
-

- 
- 2890830** ZIRCONIUM PRETREATMENT COMPOSITIONS CONTAINING MOLYBDENUM, ASSOCIATED METHODS FOR TREATING METAL SUBSTRATES, AND RELATED COATED METAL SUBSTRATES. PPG Industries Ohio, Inc.
- 2890875** AMMONIA STORAGE UNIT AND ASSOCIATED STRUCTURE AND SYSTEM. Aaqius & Aaqius S.A.
- 2890929** ILLUMINATION DEVICE BASED ON THERMALLY CONDUCTIVE SHEET WITH LIGHT DIFFUSING PARTICLES. Philips Lighting Holding B.V.
- 2891249** BIT-INTERLEAVED CODED MODULATION WITH ITERATIVE DECODING AND FRACTIONAL INNER CODING. Tyco Electronics Subsea Communications LLC
- 2891255** ELECTRICAL BREAKDOWN PROTECTION FOR A CAPACITIVE WIRELESS POWERING SYSTEM. Philips Lighting Holding B.V.
- 2891261** METHOD OF SUPPORTING TRANSFER OF OPTICAL NETWORK UNIT BETWEEN PASSIVE OPTICAL NETWORKS. Alcatel Lucent
- 2891293** METHOD AND DEVICE FOR SCHEDULING DATA TRAFFIC. Universiteit Gent
- 2891302** NEGOTIATING A CHANGE OF A MAC ADDRESS. Qualcomm Incorporated
- 2891315** AUDIO FORWARDING DEVICE AND CORRESPONDING METHOD.. Koninklijke Philips N.V.
- 2891336** VIRTUAL RENDERING OF OBJECT-BASED AUDIO. Dolby Laboratories Licensing Corporation
- 2891677** METHOD FOR MANUFACTURING POLYETHYLENE POROUS FILM AND POLYETHYLENE POROUS FILM. National University Corporation Gunma University
- 2891716** POROUS SOLID PHASE FOR RAPIDLY ISOLATING BIOLOGICAL MOLECULES FOR NUCLEIC ACID AMPLIFICATION REACTION FROM BIOLOGICAL SAMPLE, AND USE THEREOF. Biocube System Inc.
- 2891901** RADIATION IMAGE CONVERSION PANEL. Hamamatsu Photonics K.K.
- 2891977** METHOD, SYSTEM AND DEVICE FOR MANAGING SOFTWARE ON VIRTUAL MACHINE IN CLOUD ENVIRONMENT. ZTE Corporation
- 2892260** WIRELESS BASE STATION. NTT DOCOMO, INC.
- 2892263** RADIO BASE STATION AND MOBILE STATION. NTT DOCOMO, INC.
- 2892271** MOBILE COMMUNICATIONS SYSTEM, WIRELESS BASE STATION, AND MOBILE STATION. NTT DOCOMO, INC.
- 2892339** NOVEL COMPOSITIONS COMPRISING P-HYDROXYBENZYLAMINE. DSM IP Assets B.V.
-

- 2892340** NOVEL COMPOSITIONS COMPRISING P-HYDROXYBENZYLAMINE.  
DSM IP Assets B.V.
- 2892357** METHOD FOR ENHANCING THE PRODUCT QUALITY AND PRODUCT  
SAFETY OF MEAT OR FOODSTUFFS OF ANIMAL OR VEGETABLE  
ORIGIN. Deutsches Institut für Lebensmitteltechnik e.V.; Triton GmbH
- 2892673** DRIVE DEVICE FOR A WIRE EROSION MACHINE WITH A ROTATING  
SPINDLE DRIVEN BY A MOTOR AND A CURRENT TRANSFER DEVICE  
FOR TRANSFERRING CURRENT TO A ROTATING WORKPIECE FOR  
EROSIVE MACHINING. Hirschmann GmbH
- 2892719** ILLUMINATED GLAZING WITH PRINTED LAMINATION INSERT. Saint-  
Gobain Glass France
- 2892736** VEHICLE PNEUMATIC TYRE. Continental Reifen Deutschland GmbH
- 2892811** CONTAINER HAVING PRIMARY AND SECONDARY SUPPORT  
SURFACES. Owens-Brockway Glass Container Inc.
- 2892992** PACKAGED DETERGENT COMPOSITION. Reckitt Benckiser Vanish B.V.
- 2893037** NUCLEOTIDES AND PRIMERS WITH REMOVABLE BLOCKING  
GROUPS. Illumina, Inc.
- 2893160** PROCESS FOR RECOVERING POWER. Shell Internationale Research  
Maatschappij B.V.
- 2893162** SUPERCRITICAL WORKING FLUID CIRCUIT WITH A TURBO PUMP  
AND A START PUMP IN SERIES CONFIGURATION. Echogen Power  
Systems LLC; Vermeersch, Michael, Louis
- 2893217** ADJUSTMENT MECHANISM. ZF Friedrichshafen AG
- 2893434** EXECUTING SUBROUTINES IN A MULTI-THREADED PROCESSING  
SYSTEM. Qualcomm Incorporated
- 2893541** PASTE FOR NFC MAGNETIC SHEET AND METHOD OF PREPARING  
THE SAME AND NFC MAGNETIC SHEET. BYD Company Limited
- 2893778** METHOD AND SYSTEM FOR SHUTTING DOWN A LIGHTING DEVICE.  
Phoseon Technology, Inc.
- 2893974** WATER-ABSORBING RESIN, WATER-ABSORBING BODY, AND  
WATER-ABSORBING PRODUCT. Sumitomo Seika Chemicals Co., Ltd.
- 2894120** WORK PLAN VERIFICATION DEVICE. Tadano, Ltd.
- 2894153** MELAMINE PURIFICATION PROCESS. Otkrytoe Aktsionerhoe Obschestvo  
Research & Design Institute Of Urea And Organic Synthesis Products (OAO  
NIIK)
- 2894310** ADDITIVE SUPPLY DEVICE FOR INTERNAL COMBUSTION ENGINES.  
Toyota Jidosha Kabushiki Kaisha
- 2894692** Battery pack. Sony Corporation
-



- 
- 2894764** CONTACTLESS POWER SUPPLY SYSTEM AND CONTACTLESS EXTENSION PLUG. Panasonic Intellectual Property Management Co., Ltd.
- 2894771** PERMANENT MAGNET LAMINATED MOTOR. Wei, Lehan
- 2894844** IMAGE PICKUP APPARATUS. Sony Corporation
- 2894850** VIDEO PLAYBACK SYSTEM AND METHOD. ZTE Corporation
- 2895351** METHOD FOR OPERATING A FRONTAL HEADLIGHT DEVICE OF A VEHICLE, DRIVER ASSISTANCE DEVICE AND VEHICLE. Valeo Schalter und Sensoren GmbH
- 2895407** LINK FOR A LATERAL CHAIN FOR CONVEYOR BELTS. Alit S.r.l.
- 2895561** INKS AND A PROCESS FOR INK-JET PRINTING TEXTILE FIBRE MATERIALS. Huntsman Advanced Materials (Switzerland) GmbH
- 2895569** ADHESIVE COMPOSITIONS AND USE THEREOF. Henkel IP & Holding GmbH
- 2895642** PROCESS USING HIGH SURFACE AREA ELECTRODES FOR THE ELECTROCHEMICAL REDUCTION OF CARBON DIOXIDE. Avantium Knowledge Centre B.V.
- 2895781** TUBULAR CONNECTOR HAVING A SECONDARY SHOULDER. Vetco Gray Inc.
- 2895822** CONTACT-ANALOGUE DISPLAY, IN PARTICULAR OF A LANE CHANGE. Bayerische Motoren Werke Aktiengesellschaft
- 2896250** DYNAMIC POWER SCALING OF DIGITAL MODEMS. Qualcomm Incorporated
- 2896523** VEHICLE AIR-CONDITIONING DEVICE AND VEHICLE AIR-CONDITIONING METHOD. NISSAN MOTOR CO., LTD.
- 2896636** CURABLE COMPOSITION AND IMAGE-FORMING METHOD. FUJIFILM Corporation
- 2896679** COKE DRY QUENCHING FACILITY. Nippon Steel & Sumikin Engineering Co., Ltd.; NS Plant Designing Corporation
- 2896716** PIERCING PLUG AND METHOD FOR MANUFACTURING PIERCING PLUG. Nippon Steel & Sumitomo Metal Corporation
- 2896949** DEVICE, SYSTEM AND METHOD FOR RAPIDLY AND COMPREHENSIVELY DETECTING LENS ACTUATOR. AP Photonics (Shenzhen) Limited
- 2897060** SUBTITLE PROCESSING METHOD, DEVICE AND SYSTEM, AND STORAGE MEDIUM. Tencent Technology Shenzhen Company Limited
- 2897190** Battery pack. Sony Corporation
- 2897307** RELAY DEVICE, SATELLITE RELAY DEVICE, AND SATELLITE RELAY METHOD. Mitsubishi Electric Corporation
-

- 2897815** VEHICLE PNEUMATIC TYRE. Continental Reifen Deutschland GmbH
- 2898117** INTEGRATED PROCESS FOR PRODUCING OXALIC ACID FROM CARBON DIOXIDE. Avantium Knowledge Centre B.V.
- 2899047** CHARGE PORT STRUCTURE. NISSAN MOTOR CO., LTD.
- 2899058** VEHICLE CONTROL SYSTEM, VEHICLE INFORMATION SUPPLY DEVICE, AND VEHICLE INFORMATION SUPPLY METHOD. Nissan Motor Co., Ltd.
- 2899198** SYNTHETIC PNTX(19) PEPTIDE, PHARMACEUTICAL COMPOSITIONS AND USE. Universidade Federal De Minas Gerais - UFMG
- 2899339** VEHICLE DOOR LOCK APPARATUS. AISIN SEIKI KABUSHIKI KAISHA
- 2899382** ENGINE WITH SUPERCHARGER. Kawasaki Jukogyo Kabushiki Kaisha
- 2899759** Method of manufacturing a semiconductor device. Renesas Electronics Corporation
- 2899772** BATTERY ASSEMBLY. Nissan Motor Co., Ltd.
- 2899773** ASSEMBLED BATTERY. NISSAN MOTOR CO., LTD.
- 2899836** ON-LINE UNINTERRUPTED POWER SUPPLY TOPOLOGY. Eaton Manufacturing LP Glasgow, Succursale de Morges
- 2899838** CHARGING CONTROL CIRCUIT, CHARGING APPARATUS, CHARGING CONTROL METHOD AND CHARGING METHOD. Actions (Zhuhai) Technology Co., Limited
- 2899878** MOTOR CONTROL DEVICE AND MOTOR CONTROL METHOD. NISSAN MOTOR CO., LTD.
- 2900493** INDEPENDENT SUSPENSION OF A WHEEL OF A VEHICLE WITH A SCISSORS-LIKE ARM AND A SPRING. Bayerische Motoren Werke Aktiengesellschaft
- 2900494** INDEPENDENT SUSPENSION OF A WHEEL OF A VEHICLE WITH A SCISSORS-LIKE ARM. Bayerische Motoren Werke Aktiengesellschaft
- 2900523** SEATBELT WINDER SUPPORT WITH PROGRAMMED DEFORMATION. PSA Automobiles SA
- 2900558** METHOD AND APPARATUS FOR COVERING A FASTENER SYSTEM. The Boeing Company
- 2900559** SYSTEM AND METHOD FOR MANUFACTURING A WING BOX. The Boeing Company
- 2900897** MANAGED PRESSURE DRILLING SYSTEM HAVING WELL CONTROL MODE. Weatherford Technology Holdings, LLC
- 2901035** CLUTCH DEVICE. Schaeffler Technologies AG & Co. KG
- 2901276** MODERNIZATION OF LEGACY SOFTWARE SYSTEMS BASED ON MODELED DEPENDENCIES. The Boeing Company
-

- 
- 2901507** STORAGE ELEMENT, STORAGE APPARATUS, AND MAGNETIC HEAD.  
Sony Corporation
- 2901975** ABSORBENT ARTICLE. Unicharm Corporation
- 2901983** ABSORBENT ARTICLE. Unicharm Corporation
- 2902169** BLOW MOLDING DEVICE AND METHOD FOR PRODUCING  
CONTAINER. Discma AG
- 2902214** LITHOGRAPHIC PRESENSITIZED PLATE AND METHOD FOR MAKING  
LITHOGRAPHIC PRINTING PLATE. FUJIFILM Corporation
- 2902434** FIBER-REINFORCED POLYAMIDE RESIN MATERIAL. Mitsubishi Gas  
Chemical Company, Inc.
- 2902570** CONTROLLER FOR ENERGIZING VEHICLE DOOR LOCK INDICATOR.  
Kabushiki Kaisha Honda Lock
- 2902716** AIR CONDITIONER. Daikin Industries, Ltd.
- 2903142** WATER-COOLED ELECTRICAL MOTOR. Shanghai Yili Electric Co., Ltd.
- 2903312** METHOD AND DEVICE FOR PROCESSING TRUNKING SERVICE, BASE  
STATION AND USER EQUIPMENT. ZTE Corporation
- 2903315** TRANSFER METHOD AND DONOR ENODEB FOR SUBFRAME  
CONFIGURATION INFORMATION OF SERVING CELL. ZTE Corporation
- 2904026** NONAQUEOUS COATING COMPOSITION CONTAINING FLUORINE,  
COATING PROCESS AND USE OF SAID COATING COMPOSITION. BASF  
Coatings GmbH
- 2904153** RESTRAINT SYSTEM AND TRANSITION CONSTRUCTION BETWEEN  
TWO VEHICLE RESTRAINT SYSTEMS HAVING DIFFERENT LATERAL  
RIGIDITY. Rebloc GmbH; voestalpine Krems Finaltechnik GmbH
- 2904194** APPARATUS AND METHODS FOR USE WITH DRILLING FLUIDS.  
Churchill Drilling Tools Limited
- 2904423** METHOD AND DEVICE FOR LATENCY TIME OPTIMIZATION DURING  
A DISTANCE MEASUREMENT BY MEANS OF A PLURALITY OF  
SENSORS. Robert Bosch GmbH
- 2905236** Hexagonal bottom sack with carrying handle, bottom lining and tear strip.  
Papiersackfabrik Tenax GmbH & Co. KG
- 2905492** Coupling assembly and method for producing the same. GETRAG B.V. & Co.  
KG; Valeo Embrayages
- 2905570** An apparatus and method for counting rounds fired from a firearm. Israel  
Weapon Industries (I.W.I.) Ltd.
- 2906640** COATING/SEALANT SYSTEMS, AQUEOUS RESINOUS DISPERSIONS,  
METHODS FOR MAKING AQUEOUS RESINOUS DISPERSIONS, AND  
METHODS OF ELECTROCOATING. PRC-Desoto International, Inc.
-

- 2907192** ANTENNA FOR UNATTENDED GROUND SENSOR. Digital Barriers Services Ltd.
- 2907712** Motor vehicle, in particular commercial vehicle, with at least one air storage container of an air supply. MAN Truck & Bus Österreich AG
- 2908293** Document photosensor of surface-mounted elements. JAPAN CASH MACHINE CO., LTD.
- 2909292** METHOD WITH LUBRICATING COMPOSITION CONTAINING A DETERGENT. The Lubrizol Corporation
- 2910676** CARBON FIBER-REINFORCED RESIN COMPOSITION, METHOD FOR MANUFACTURING CARBON FIBER-REINFORCED RESIN COMPOSITION, MOLDING MATERIAL, METHOD FOR MANUFACTURING MOLDING MATERIAL, AND CARBON-FIBER REINFORCED RESIN MOLDED ARTICLE. Toray Industries, Inc.
- 2910748** ADDITIVE AGENT SUPPLY DEVICE FOR INTERNAL COMBUSTION ENGINES. TOYOTA JIDOSHA KABUSHIKI KAISHA
- 2911367** METHOD AND SYSTEM FOR RELEASING ADDRESSES. ZTE Corporation
- 2911372** WATERPROOF ASSEMBLY AND CELLULAR PHONE. ZTE Corporation
- 2911762** OIL FILTER. Parker Hannifin Indústria e Comércio Ltda.
- 2912721** MULTI-BANDPASS, DUAL-POLARIZATION RADOME WITH COMPRESSED GRID. Raytheon Company
- 2913443** SHOVEL. SUMITOMO HEAVY INDUSTRIES, LTD.
- 2914030** DISCONTINUOUS RECEPTION (DRX) MODE PROCESSING METHOD, USER EQUIPMENT, AND BASE STATION. ZTE Corporation
- 2914068** Electronic transformer-controlled two-wire two-way LED (light-emitting diode) lamp string. Zhejiang Sungiant arts and crafts Co., Ltd.
- 2916471** SYSTEM AND METHOD FOR PROVIDING TETHERING SERVICE USING SHORT RANGE COMMUNICATION. SK Planet Co., Ltd.
- 2916815** ANTISEPTIC COMPOSITION. Gebro Holding GmbH
- 2918924** AIR CONDITIONER. Daikin Industries, Ltd.
- 2918947** AIR CONDITIONER. Daikin Industries, Ltd.
- 2919240** REACTOR DEVICE. Hitachi Industrial Equipment Systems Co., Ltd.
- 2919415** ONLINE INDICATION METHOD, APPARATUS AND SYSTEM. ZTE Corporation
- 2919672** AUTOGRAFTING OSTEOTOME. HUWAIS IP HOLDING LLC
- 2920011** VEHICLE AIR SUSPENSION CONTROL SYSTEM. Tesla, Inc.
- 2920389** MOTOR VEHICLE DOOR. Kiekert Aktiengesellschaft
- 2920507** LUMINAIRE WITH ARTICULATED ELONGATED LIGHT BEAM HOMOGENIZER. ROBE lighting s.r.o.
-

- 
- 2921486** Compositions and methods for treating beta-amyloid related diseases. American Life Science Pharmaceuticals, Inc.
- 2922254** METHOD FOR ESTABLISHING CONTROL CHANNEL, FORWARDING POINT AND CONTROLLER. Huawei Technologies Co., Ltd.
- 2922279** INFORMATION PROCESSING METHOD AND SYSTEM FOR 6LOWPAN EXTENSION FIELD. ZTE Corporation
- 2924194** Handle. Hermat Metallwaren GmbH
- 2924943** VIRUS DETECTION METHOD AND DEVICE. Huawei Technologies Co., Ltd.
- 2925291** OLIVE SEED JUICE AND A METHOD FOR PREPARATION. Özen, Sebnem
- 2925668** HYDROGEN GENERATOR. Intelligent Energy, Inc.
- 2926171** SYSTEM AND METHOD FOR SEISMIC VELOCITY ANOMALY ANALYSIS. Chevron U.S.A., Inc.
- 2928133** METHOD AND APPARATUS FOR ACCESSING SHORTEST-ROUTE BRIDGE NETWORK IN MULTI-HOMED MANNER. ZTE Corporation
- 2928142** METHOD AND DEVICE FOR TRANSMITTING INFORMATION UNDER IMS ARCHITECTURE, AND COMMUNICATION SYSTEM. Huawei Technologies Co., Ltd.
- 2929606** A SELF SUPPLIED PROTECTION RELAY WITH A MODULE TO BOOST PERFORMANCE. ABB Research Ltd.
- 2929636** CHANGING OF PATTERN OF REFERENCE SIGNALS ACCORDING TO COHERENCE TIME VARIATION IN WIRELESS COMMUNICATION SYSTEM. LG Electronics Inc.
- 2929793** ARTICLE OF FOOTWEAR INCORPORATING A TENSILE ELEMENT. NIKE Innovate C.V.
- 2929823** Vacuum cleaner filter bag for an upright vacuum cleaner. Eurofilters N.V.
- 2930452** APPARATUS FOR SEPARATING PLATE-SHAPED HBI PARTICLES. POSCO
- 2932563** CONTACT ELEMENT. TE Connectivity Germany GmbH
- 2933203** CONTINUOUS WEB FOR PRODUCING BAGS CONSISTING OF PLASTICISED PAPER AND COMPRISING A PLATE, FOR FRUIT AND VEGETABLE PRODUCTS AND THE LIKE. Cristóbal Meseguer, S.A.
- 2933961** METHOD AND APPARATUS FOR ROUTING AND FORWARDING, BUILDING ROUTING TABLES, AND OBTAINING CONTENTS. Huawei Technologies Co., Ltd.
- 2937631** Gas hot air gun head. Pro-Iroda Industries, Inc.
- 2939464** METHOD AND SYSTEM FOR HYBRID AUTOMATIC REPEAT REQUEST COMBINING ON AN LTE DOWNLINK CONTROL CHANNEL. Sierra
-

Wireless, Inc.

- 2939640** HIGHLY FLEXIBLE STENT. Biomedical Solutions Inc.
- 2940886** METHOD AND BASE STATION FOR COORDINATED MULTI POINT DATA TRANSMISSION. ZTE Corporation
- 2941974** ARTICLE OF FOOTWEAR INCORPORATING TENSILE STRANDS AND SECURING STRANDS. NIKE Innovate C.V.
- 2945014** LENS DRIVE APPARATUS, CAMERA MODULE AND CAMERA. Mitsumi Electric Co., Ltd.
- 2945041** MOBILE TERMINAL CAPABLE OF RESTORING APPLICATION AFTER REBOOTING. Huizhou TCL Mobile Communication Co., Ltd.
- 2945398** Motion sensor. NXP B.V.
- 2945434** UE PREFERENCE INDICATION AND ASSISTANCE INFORMATION IN MOBILE COMMUNICATION NETWORKS. MediaTek Inc.
- 2945435** UE PREFERENCE INDICATION AND ASSISTANCE INFORMATION IN MOBILE COMMUNICATION NETWORKS. MediaTek Inc.
- 2947793** LINK DETECTION METHOD AND DEVICE FOR PASSIVE OPTICAL NETWORK. ZTE Corporation
- 2948264** SAW BLADE HAVING INTEGRATED SWARF SPACE. Albert Knebel Holding GmbH
- 2949591** CONTAINER AND VALVE ASSEMBLY FOR STORING AND DISPENSING SUBSTANCES, AND RELATED METHOD. Medical Instill Technologies, Inc.
- 2949650** Synthetic method for the preparation of 1,2-Benzisothiazolin-3-one. Shouguang Syntech Fine Chemical Co., Ltd.
- 2950603** WIRELESS NETWORK AND METHOD. NXP B.V.
- 2951067** LIFTING CYLINDER FOR ACTUATING A MAGNETIC RAIL BRAKE. Tecair Holding B.V.; Faiveley Transport Witten GmbH
- 2951955** METHOD AND SYSTEM FOR PROTECTING WEB APPLICATIONS AGAINST WEB ATTACKS. IMMUN.IO Inc.
- 2952923** POWER CONVERSION DEVICE FOR FUEL CELL AND METHOD FOR CONTROLLING SAME. Foundation Of Soongsil University-Industry Cooperation
- 2955125** CONTINUOUS BAND FOR THE PRODUCTION OF BASKET-TYPE BAGS FROM PLASTIC-COATED PAPER FOR FRUIT AND VEGETABLE PRODUCTS. Cristóbal Meseguer, S.A.
- 2955896** SYSTEM AND METHOD FOR PREVENTING ACCESS TO DATA ON A COMPROMISED REMOTE DEVICE. Good Technology Holdings Limited
- 2955900** FILE SHARING METHOD AND DEVICE. Huawei Device (Dongguan) Co., Ltd.
-

- 
- 2956428** HIGH ZIRCONIA FUSED CAST REFRACTORY. Saint-Gobain TM K.K.
- 2957816** ILLUMINATING INSTRUMENT. Factory Inc.
- 2957973** Light-based position monitoring of a workstation. Fives Inc.
- 2959376** SYSTEMS AND METHODS FOR 3-AXIS ACCELEROMETER CALIBRATION WITH VERTICAL SAMPLE BUFFERS. Calamp Corp.
- 2960283** FLAME RETARDANT AGENT, FLAME-RETARDANT COMPOSITION, AND MOLDED ARTICLE. Konoshima Chemical Co., Ltd.
- 2965440** METHOD OF REPORTING CHANNEL STATE INFORMATION FOR VERTICAL BEAMFORMING IN A MULTICELL BASED WIRELESS COMMUNICATION SYSTEM AND APPARATUS THEREFOR. LG Electronics Inc.
- 2965715** ARTIFICIAL URINARY SPHINCTER SYSTEM HAVING A CUFF WITH TWO INFLATABLE BALLOONS ATTACHED TO A FRAME. Coloplast A/S
- 2978195** COMMUNICATIONS TERMINAL COMPATIBLE WITH MULTIPLE KINDS OF INTELLIGENT CARDS. Huizhou TCL Mobile Communication Co., Ltd.
- 2979548** AN AUTOMATED METHOD FOR THE ANALYSIS OF TOTAL DIETARY FIBER. Ankom Technology Corporation
- 2980167** Antifouling coating and its use and method for protecting surfaces from biofouling. bioplan GmbH; Schiffswerft Barth GmbH; Fraunhofer-Gesellschaft zur Förderung der angewandten Forschung e.V.
- 2981109** Method for providing communication services of a mobile communication network to a plurality of telecommunication devices, mobile communication network, telecommunication device, system, program and computer program product. Deutsche Telekom AG
- 2982243** DEVICE AND METHOD FOR CONTROLLING THE MOTION OF A DISTRIBUTION ROD SYSTEM OF AN AGRICULTURAL DISTRIBUTOR. Amazonen-Werke H. Dreyer GmbH & Co. KG
- 2982265** APPLICATION COMB, AND ASSOCIATED METHOD FOR TREATING HAIR. Henkel AG & Co. KGaA
- 2982271** CHILD-CARE SWING. BABYMOOV GROUP
- 2982287** SCOURING ACCESSORY FOR MOP HEAD. Spontex
- 2982302** Medical applicator. F. Hoffmann-La Roche AG
- 2982317** EMBOLIC COIL DELIVERY SYSTEM WITH RETRACTABLE MECHANICAL RELEASE MECHANISM. DePuy Synthes Products, Inc.
- 2982375** FACTORS EXTRACTED FROM FISH EMBRYOS AND USE OF MIXTURES THEREOF IN THE CONTROL OF STEM CELL MULTIPLICATION AND DIFFERENTIATION. Biava, Michele; Biava, Maura; Ricotti, Annamaria
- 2982398** Filter module. Gambro Lundia AB
-

- 2982417** Deformable energy absorber with deformation indicator. Honeywell International Inc.
- 2982418** FIRE RETARDANT CURTAIN. Stöbich Brandschutz GmbH
- 2982439** Reagent carrier unit with coupling section to permit pipettor arm attachment and handling. Yantai AusBio Laboratories Co., Ltd.
- 2982468** METHOD AND SYSTEM FOR CUTTING A STRAND OF A CONTINUOUS CASTING. A.L.B.A. S.r.l.
- 2982472** Positioning system. FESTO AG & Co. KG
- 2982486** Method and apparatus for producing reshaped plastic granules, and reshaped plastic granules so produced. Szücs, Andras
- 2982532** WORK VEHICLE. AVL List GmbH; Kubota Corporation
- 2982547** VEHICLE BUMPER STRUCTURE INCLUDING A PRESSURE TUBE-TYPE PEDESTRIAN COLLISION DETECTION SENSOR. TOYOTA JIDOSHA KABUSHIKI KAISHA
- 2982579** Method for controlling a motor vehicle and motor vehicle. MAGNA STEYR Fahrzeugtechnik AG & Co KG
- 2982580** Method for controlling a motor vehicle and motor vehicle. MAGNA STEYR Fahrzeugtechnik AG & Co KG
- 2982621** Separating device for a packaging machine and method. MULTIVAC Sepp Hagenmüller SE & Co. KG
- 2982634** TELESCOPIC HANDLING DEVICE COMPRISING AT LEAST TWO ELEMENTS MOUNTED SUCH AS TO SLIDE RELATIVE TO ONE ANOTHER. MANITOU BF
- 2982636** Subsea heave compensator. Ernst-B. Johansen AS
- 2982637** Method for reduction of lifting tension on a load. Ernst-B. Johansen AS
- 2982649** METHOD FOR THE PRODUCTION OF ACTIVATED CARBON. AVA-Co2 Schweiz AG
- 2982676** Benzimidazo[2,1-B]benzoxazoles for electronic applications. Idemitsu Kosan Co., Ltd.
- 2982750** HYPERTHERMOSTABLE ENDOGLUCANASE BELONGING TO GH FAMILY 12. HONDA MOTOR CO., LTD.
- 2982751** HYPERTHERMOSTABLE ENDOGLUCANASE BELONGING TO GH FAMILY 12. HONDA MOTOR CO., LTD.
- 2982763** Synthesis and use of a polyprobe for the detection of viral infections in globe artichoke. Agritest S.r.l.
- 2982766** IDENTIFICATION OF T CELL TARGET ANTIGENS. Ludwig-Maximilians-Universität München
- 2982792** WATER QUALITY DETECTOR ASSEMBLY OF A WASHING MACHINE.
-



LG Electronics Inc.

- 2982795** DEVICE FOR GUIDANCE OF RAILWAY VEHICLES. Schweizerische Bundesbahnen SBB
- 2982799** Vehicle retention system. voestalpine Krems Finaltechnik GmbH
- 2982800** VEHICLE RETENTION SYSTEM. voestalpine Krems Finaltechnik GmbH
- 2982839** Reductant tank sensor diagnostic method and system. Cummins Emission Solutions, Inc.
- 2982842** SYSTEM FOR REDUCING HARMFUL EMISSIONS OF AN INTERNAL COMBUSTION ENGINE. S.T.C. S.r.l.
- 2982888** Membrane bellows. VAT Holding AG
- 2982890** PILOT TYPE SOLENOID VALVE. CKD Corporation
- 2982893** Tube clamp assembly. Geberit International AG
- 2982894** Tube clamp assembly. Geberit International AG
- 2982906** STAGE LIGHT FIXTURE AND METHOD FOR OPERATING SAID STAGE LIGHT FIXTURE. CLAY PAKY S.p.A.
- 2982907** GAS TURBINE COMBUSTOR. Mitsubishi Hitachi Power Systems, Ltd.
- 2982930** DEVICE FOR CONTACTLESS MEASUREMENT ON GEAR SHAFTS, IN PARTICULAR ON WORM SHAFTS AND WORKING METHOD FOR THE SAME. Brodmann Technologies GmbH
- 2982957** Device for a rotor thrust measurement, turbine and method to measure a rotor thrust of a turbine. Siemens Aktiengesellschaft
- 2982984** BLOOD ANALYZING METHOD, BLOOD ANALYZER AND PROGRAM TO DETECT PLASMODIUM FALCIPARUM. SYSMEX CORPORATION
- 2983010** METHOD FOR CORRECTING POSITION DATA STORED IN A MEMORY OF A WORK COMPUTER. Amazonen-Werke H. Dreyer GmbH & Co. KG
- 2983057** VEHICLE PEDAL ARM. F-TECH INC.
- 2983126** Secure friending. Rovio Entertainment Ltd
- 2983175** CABLE AND METHOD FOR PRODUCING A CABLE. LEONI Kabel GmbH
- 2983194** A RETROFITTABLE ENERGY SAVING LAMP WITH INTEGRATED MAGNETIC COIL AND CERAMIC METAL HALIDE ARC TUBE TO REPLACE MERCURY VAPOR LAMPS, HIGH PRESSURE SODIUM LAMPS AND QUARTZ METAL HALIDE LAMPS. Flowil International Lighting (HOLDING) B.V.
- 2983232** LITHIUM STORAGE BATTERY COMPRISING A POSITIVE ELECTRODE MATERIAL MADE OF A SPECIFIC CARBON MATERIAL FUNCTIONALISED BY SPECIFIC ORGANIC COMPOUNDS. Commissariat à l'Énergie Atomique et aux Énergies Alternatives
- 2983236** Secondary electrochemical element based on nickel/iron. VARTA Microbattery
-

GmbH

- 2983257** Switchgear conductor arrangement and switchgear. ABB Schweiz AG
- 2983286** Sub-module for a modular power converter. Siemens Aktiengesellschaft
- 2983290** Circuit for detecting phase shift applied to an RF signal. NXP B.V.
- 2983347** A METHOD FOR ROUTING COMMUNICATION CALLS VIA VOIP AND VIA PSTN TO COMMUNICATION DEVICES AND COMPUTER PROGRAM PRODUCTS THEREOF. Telefonica Digital España, S.L.U.
- 2983445** METHOD AND APPARATUS FOR NOTIFYING OF SERVICE RELEASE FOR DUAL CONNECTIVITY IN WIRELESS COMMUNICATION SYSTEM. LG Electronics Inc.
- 2983449** METHOD FOR ACCELERATING A COOKING PROCESS, CONTROL DEVICE AND COOKING DEVICE FOR SAME. BSH Hausgeräte GmbH
- 2983455** TUBULAR CHOKED WAVEGUIDE APPLICATOR. Industrial Microwave Systems, L.L.C.
- 2984967** CHAIR. Wiesner - Hager Möbel KG
- 2984970** Checkout counter. Wincor Nixdorf International GmbH
- 2984980** RACK OF A DISHWASHER. BSH Hausgeräte GmbH
- 2984987** METHOD AND SYSTEM FOR MARKING OF FLUOROSCOPE FIELD-OF-VIEW. Biosense Webster (Israel) Ltd.
- 2984989** SCANNING TABLE MOVABLE ALONG THE X-AXIS, THE Y-AXIS AND THE Z-AXIS. Samsung Electronics Co., Ltd.
- 2984996** ELECTROLYTIC DETACHMENT ELEMENTS FOR IMPLANT DELIVERY SYSTEMS. Covidien LP
- 2985013** Medical protruded pads or dressings. Barberio, Alessandro
- 2985045** METHOD FOR ADJUSTING A BLOOD FLOW IN A DIALYSIS DEVICE AND DIALYSIS DEVICE. B. Braun Avitum AG
- 2985059** APPARATUS AND METHOD OF USER INTERACTION. Sony Interactive Entertainment Europe Limited
- 2985060** COMPUTER CONTROLLED FURNITURE AND METHOD. Sony Interactive Entertainment Europe Limited
- 2985087** TREATMENT OF CURVED SURFACES. PB Tank Service Oy
- 2985130** FORMING DEVICE AND METHOD FOR FORMING PLASTIC PREFORMS INTO PLASTIC CONTAINERS. Kronos AG
- 2985137** A method and an apparatus for forming profile elements. Airbus Operations GmbH
- 2985140** CLADDING ELEMENT FOR VEHICLE FLOOR AREA. Ford Global Technologies, LLC
- 2985152** METHOD FOR ARRANGING AN IMAGE ON A SUBSTRATE, AND
-

- DECORATIVE PANEL. Gerard van Gennip Beheer B.V.
- 2985164** MOTOR MOUNT. Joma-Polytec GmbH
- 2985168** DRIVING ASSISTANCE APPARATUS AND DRIVING ASSISTANCE METHOD. Toyota Jidosha Kabushiki Kaisha
- 2985177** VEHICLE SEAT WITH ADJUSTABLE BACKREST. GRAMMER AG
- 2985186** SUPPORT FOR A BICYCLE RACK AND A BICYCLE RACK. WESTFALIA - Automotive GmbH
- 2985199** BRAKE SYSTEM FOR VEHICLE. HONDA MOTOR CO., LTD.
- 2985216** MANUALLY OPERATED ACTUATOR. Gustav Magenwirth GmbH & Co. KG
- 2985228** Exterior aircraft light unit and aircraft comprising the same. Goodrich Lighting Systems GmbH
- 2985229** Exterior aircraft light unit and aircraft comprising the same. Goodrich Lighting Systems GmbH
- 2985239** Child-resistant smoking article package with safety label. Fontem Holdings 1 B.V.
- 2985258** STIRRUP FOR HORSE-RIDING. Acavallo S.r.l.
- 2985334** LIQUID-CRYSTALLINE MEDIUM. Merck Patent GmbH
- 2985350** Method for microbiome analysis. microBIOMix GmbH
- 2985351** A CIRCULATING NON-CODING RNA AS PREDICTOR OF MORTALITY IN PATIENTS WITH ACUTE KIDNEY INJURY. Medizinische Hochschule Hannover
- 2985356** DIE-CASTABLE NICKEL BASED SUPERALLOY COMPOSITION. United Technologies Corporation
- 2985366** COMPOSITE FAN ANNULUS FILLER WITH NANOCRYSTALLINE COATING. Rolls-Royce Corporation
- 2985380** DRUM TYPE WASHING MACHINE WITH A STORAGE CONTAINER AND METHOD FOR FILLING IT WITH WATER REQUIRED FOR BALANCING. Miele & Cie. KG
- 2985393** THERMALLY INSULATING MOULDED ARTICLE UNDERNEATH OUTER WALL AND AGAINST INNER WALL. Coenen Bouwadvies B.V.
- 2985395** An outer frame element, a set of parts, a wall construction and a method for mounting the wall construction. DEKO loft + vaeg P/S
- 2985398** LOCK-CYLINDER ASSEMBLY. ASTRA Gesellschaft für Asset Management mbH & Co. KG
- 2985399** HANDLE FOR A DOOR OR WINDOW WITH TWO OR THREE POINT LATCH. Opacmare S.r.l.
- 2985473** Lifting module. HAWE Hydraulik SE
- 2985492** Bevel gear with altered geometry. Klingelberg AG
-

- 2985497** Closing element for a vacuum valve with pressed, vulcanised seal. VAT Holding AG
- 2985506** A MOUNT FOR A LAPTOP COMPUTER. RDP Group (UK) Ltd
- 2985536** Control method for a pump unit. Grundfos Holding A/S
- 2985573** Apparatus and method of fastening an electronic device. SICK AG
- 2985592** Absorption spectrometer and method for measuring the concentration of an interesting gas component of a measuring gas. Siemens Aktiengesellschaft
- 2985607** ANEMOMETER AND METHOD FOR DETERMINING A FLOW RATE. Fraunhofer Gesellschaft zur Förderung der angewandten Forschung e.V.
- 2985667** Pre-adjustable flow rate regulator. IMI Hydronic Engineering International SA
- 2985715** Control device and method for a network and vulnerability scanner. Deutsche Telekom AG
- 2985760** METHODS AND APPARATUS FOR INTERPRETING RECEIVED SPEECH DATA USING SPEECH RECOGNITION. Honeywell International Inc.
- 2985776** AUTOMOTIVE CIRCUIT BREAKER INCLUDING CIRCUIT BREAKER WITH INTEGRATED SECONDARY CURRENT PROTECTION. Sensata Technologies, Inc.
- 2985777** PYROTECHNICALLY ACTUATED SWITCH. Goodrich Corporation
- 2985788** Power semiconductor module and method for cooling power semiconductor module. ABB Technology Oy
- 2985807** RECHARGEABLE BATTERY COMPRISING A CAP PLATE WITH A CHAMFERED PORTION. Samsung SDI Co., Ltd.
- 2985812** SECONDARY BATTERY. Samsung SDI Co., Ltd.
- 2985838** SYSTEMS AND METHODS FOR HIGH POWER MICROWAVE COMBINING AND SWITCHING. Honeywell International Inc.
- 2985840** ELECTRIC CONNECTOR. Tyco Electronics (Shanghai) Co. Ltd.
- 2985925** WIRELESS CHARGING PLATFORM USING BEAMFORMING FOR WIRELESS SENSOR NETWORK. Analog Devices Global Unlimited Company
- 2985948** METHOD FOR EXCHANGING TELEGRAMS BETWEEN TWO COMMUNICATING PARTICIPANTS. Siemens Aktiengesellschaft
- 2985949** Correlation engine comprising root cause and service impact analyses. Hewlett Packard Enterprise Development LP
- 2985951** TRANSACTION INTEGRITY FOR NETWORK SERVICES CONFIGURATION. Juniper Networks, Inc.
- 2985959** PROGRESSIVE MAC ADDRESS LEARNING. Brocade Communications Systems, Inc.
- 2985974** MALICIOUS TUNNELING HANDLING SYSTEM. Palantir Technologies, Inc.
- 2985982** ELECTRONIC DEVICE. Samsung Electronics Co., Ltd.
-

- 
- 2986025** ENERGY CONVERSION APPARATUS AND SPEAKER STRUCTURE.  
Ricoh Company, Ltd.
- 2986026** HEARING ASSISTANCE DEVICE WITH BEAMFORMER OPTIMIZED  
USING A PRIORI SPATIAL INFORMATION. Starkey Laboratories, Inc.
- 2986032** DEVICE AND METHOD FOR INTEGRATION OF HEARING AID  
COMPONENTS. Sivantos Pte. Ltd.
- 2986040** CALL SERVICE METHOD AND SYSTEM, SYSTEM TERMINAL. ZTE  
Corporation
- 2986090** Housing with a bottom section and a top section. bopla Gehäuse Systeme GmbH
- 2986092** Switchboard cabinet. SEMIKRON Elektronik GmbH & Co. KG
- 2987422** LUGGAGE ARTICLE FORMED OF A COMPACTED NON-WOVEN SHEET.  
Samsonite IP Holdings S.ÀR.L.
- 2987440** DISPENSER COVER. OP-Hygiene IP GmbH
- 2987537** BUOYANT DISC AND BUOYANCY AID. BECO Beerman GmbH & Co. KG
- 2987538** FRONT UNIT FOR A SKI BINDING AND SYSTEM CONSISTING OF A  
FRONT UNIT AND A REAR UNIT. Steinke, Markus
- 2987558** Color changer. ABB Schweiz AG
- 2987571** Method for the production of active palladium (0) powder, active palladium (0)  
powder and its use in making a palladium salt. Heraeus Deutschland GmbH &  
Co. KG
- 2987605** Transport system and method for the transport of plastic containers. Krones AG
- 2987610** Mould filling machine for the manufacture and filling of plastic containers with  
CO2 recycling. Krones AG
- 2987611** Blow moulding and filling machine and method for cleaning a blow moulding  
and filling machine. Krones AG
- 2987613** Mould filling machine. Krones AG
- 2987615** Device and method for blow moulding a blow hose. Etimec Technical  
Components GmbH
- 2987617** Valve block for a treatment station of a blow moulding and filling machine and  
blow moulding and filling machine with such a valve block. Krones AG
- 2987622** Mould filling machine and method of de-moulding and filling containers. Krones  
AG
- 2987632** Composite board made of wood material. SWISS KRONO Tec AG
- 2987633** COMPOSITE SUBSTRATE STRUCTURE AND TOUCH-SENSITIVE  
DEVICE. TPK Touch Solutions (Xiamen) Inc.
- 2987643** SECURITY ELEMENT WITH TILT EFFECT. Giesecke+Devrient Currency  
Technology GmbH
- 2987646** UTILITY VEHICLE. Honda Motor Co., Ltd.
-

- 2987656** SIPE OF A TREAD OF A SNOW TIRE. Hankook Tire Co., Ltd.
- 2987659** SYSTEM FOR EXTERNAL ANNUNCIATION OF TIRE PRESSURE.  
Goodrich Corporation
- 2987684** VEHICLE SEAT DEVICE. Tachi-S Co., Ltd.
- 2987697** VEHICLE TRAVEL CONTROL APPARATUS. Toyota Jidosha Kabushiki  
Kaisha
- 2987700** STEERING DEVICE. JTEKT CORPORATION
- 2987714** MANUALLY OPERATED ACTUATOR. Gustav Magenwirth GmbH & Co. KG
- 2987727** HEATED INFLATION SYSTEM. Goodrich Corporation
- 2987732** Mould filling machine. Krones AG
- 2987747** SHEET OF CARDBOARD OR PLASTIC FOR FOLDING A TRAY AND A  
TRAY MANUFACTURED FROM A CORRESPONDING SHEET. En Route  
International Ltd.
- 2987812** FUNCTIONALIZED POLYMER, RUBBER COMPOSITION AND  
PNEUMATIC TIRE. The Goodyear Tire & Rubber Company
- 2987845** Use of quaternary ammonium salts in gasoline fuel to improve performance.  
Afton Chemical Corporation
- 2987902** WASHING MACHINE AND METHOD OF CONTROLLING THE SAME. LG  
Electronics Inc.
- 2987905** MEANS FOR HYDROPHILIC COATING OF FABRICS COMPOSED OF  
HYDROPHOBIC THERMOPLASTIC MATERIALS, AND THE  
APPLICATION OF THE SAME. Klaus Schmitt Beteiligungsgesellschaft mbH
- 2987910** SELF-PROPELLED MILLING MACHINE, AND METHOD FOR  
UNLOADING MILLED GOODS. Wirtgen GmbH
- 2987913** VIEW PROTECTION WALLS OR FENCES WITH INTERLACED STRIP.  
Protectorwerk Florenz Maisch GmbH & Co. KG
- 2987922** FIXING STRIP, TO BE FASTENED ON A FLAT ROOF, FOR THE FIXING  
OF ROOF COVERING. Ir. N.A. Hendriks Beheermaatschappij B.V.
- 2987941** VERTICAL LIFTING GATE. Troodon Torsysteme GmbH
- 2987942** SCREENING ARRANGEMENT WITH SIDE RAIL OF ADJUSTABLE  
LENGTH INCORPORATING A REINFORCEMENT PIECE AND METHOD  
OF MOUNTING SUCH A SCREENING ARRANGEMENT IN A WINDOW  
FRAME. VKR Holding A/S
- 2987943** SCREENING ARRANGEMENT WITH SIDE RAILS OF ADJUSTABLE  
LENGTH AND A METHOD OF MOUNTING SUCH SCREENING  
ARRANGEMENT. VKR Holding A/S
- 2987944** SCREENING ARRANGEMENT COMPRISING A CORD SYSTEM AND  
CORD LENGTH ADJUSTING MEANS. VKR Holding A/S
-

- 
- 2987975** CATALYTIC CONVERTER SYSTEM AND CORRESPONDING CONTROL METHOD. Advanced Technology Emission Solutions Inc.
- 2987984** IN-FLIGHT RESTART SYSTEM AND METHOD FOR FREE TURBINE ENGINE. Pratt & Whitney Canada Corp.; Hamilton Sundstrand Corporation
- 2987989** VARIABLE GEOMETRY INLET SYSTEM. Pratt & Whitney Canada Corp.
- 2988084** LOCKING CAM STOP. Gencor Industries Inc.
- 2988087** OFFSET DEVICE FOR A RIFLE STOCK AND RIFLE WITH SAME. J.G. Anschütz GmbH & Co. KG
- 2988088** Bullet- and blast-resistant window and associated apparatus. ISOCLIMA S.p.A.
- 2988090** EXPLOSIVE BODY WITH MATERIAL AND A CASING. Diehl Defence GmbH & Co. KG
- 2988091** MULTI-USE PACKAGE CONTAINER FOR THE STORAGE AND TRANSPORT OF HAZARDOUS UNITS. Söhner Kunststofftechnik GmbH Präzisionsthermoformen
- 2988117** X-RAY DIFFRACTION IMAGING SYSTEM WITH SIGNAL AGGREGATION ACROSS VOXELS CONTAINING OBJECTS AND METHOD OF OPERATING THE SAME. Morpho Detection, LLC
- 2988120** CONDUCTIVITY SENSOR FOR AIRCRAFT COMPONENTS AND METHOD FOR DETECTING CONDUCTIVITY. Honeywell International Inc.
- 2988140** A METHOD AND APPARATUS FOR LOCATING A DISTURBANCE IN AN ELECTRICAL GRID. Eltel Networks Oy; Domax Oy
- 2988164** OPTICAL SEMICONDUCTOR DEVICE. Renesas Electronics Corporation
- 2988247** DATA ENTRY DEVICE WITH ENHANCED AIMING. Datalogic USA, Inc.
- 2988253** DATA CARRIER TAG FOR LIQUID CONTAINERS AND METHOD FOR MOUNTING THE TAG TO THE CONTAINER. Gürtuna, Ahmet Giral
- 2988298** RESPONSE GENERATION METHOD, RESPONSE GENERATION APPARATUS, AND RESPONSE GENERATION PROGRAM. Toyota Jidosha Kabushiki Kaisha
- 2988340** LIGHT EMITTING DIODE PACKAGE AND MANUFACTURING METHOD THEREOF. Seoul Semiconductor Co., Ltd.
- 2988347** NONAQUEOUS ELECTROLYTE SECONDARY BATTERY AND METHOD OF MANUFACTURING THE SAME. TOYOTA JIDOSHA KABUSHIKI KAISHA
- 2988374** SEALING ELEMENT FOR AN ELECTRICAL CONDUCTOR WITH STRANDED CONDUCTOR. Amphenol-tuchel Electronics GmbH
- 2988376** CONNECTOR. Hosiden Corporation
- 2988379** METHOD FOR ADJUSTING LIGHT EMITTING DEVICE. Kabushiki Kaisha TOPCON
-

- 2988380** LIGHT EMITTING DEVICE. Kabushiki Kaisha TOPCON
- 2988398** ROTATING ELECTRIC MACHINE. KABUSHIKI KAISHA TOYOTA  
JIDOSHOKKI
- 2988425** DATA PROCESSING DEVICE WITH MODULE FOR DETECTION AND  
ELIMINATION OF LOCAL OSCILLATOR SIGNAL DEGRADATION. NXP  
B.V.
- 2988440** DEVICE AND METHOD FOR PERFORMING NON-ORTHOGONAL  
MULTIPLEXING. Sony Mobile Communications Inc.
- 2988456** METHOD AND SYSTEM TO ADD AND COMMUNICATE WITH REMOTE  
TERMINAL ADDRESSES BEYOND A STANDARD BUS PROTOCOL. GE  
Aviation Systems LLC
- 2988559** METHOD FOR ESTABLISHING MILLIMETRIC WAVE RADIO  
COMMUNICATION LINK AND TERMINAL DEVICE. ZTE Corporation
- 2988565** METHOD AND APPARATUS FOR TRANSMITTING SIGNAL IN A  
WIRELESS COMMUNICATION SYSTEM. LG Electronics Inc.
- 2988570** METHOD AND DEVICE FOR CONTROLLING WING HEATING DEVICES  
OF AN AIRCRAFT. JENOPTIK Advanced Systems GmbH
- 2989792** CALIBRATOR. LG Electronics Inc.
- 2989873** SPRING-LOADED TRACK LOOSENER FOR AGRICULTURAL  
MACHINES. Amazonen-Werke H. Dreyer GmbH & Co. KG
- 2989875** BOOM OF AN AGRICULTURAL DEVICE. Amazonen-Werke H. Dreyer  
GmbH & Co. KG
- 2989917** SPORTS SHOE. Salomon S.A.S.
- 2989921** FOOTWEAR WITH A SOLE STRUCTURE INCORPORATING A LOBED  
FLUID-FILLED CHAMBER. NIKE Innovate C.V.
- 2989928** MOVABLE FURNITURE PART WITH A DEVICE FOR FIXING A SIDE  
COVER TO A BLIND PROFILE OF THE FURNITURE PART. Grass GmbH
- 2990074** FLUID CONNECTOR AND METHOD FOR MAKING SEALED FLUID  
CONNECTIONS. NORDSON CORPORATION
- 2990089** ACIDIC GAS REMOVAL USING DRY SORBENT INJECTION. General  
Electric Technology GmbH
- 2990118** DESIGN OF PAPER SENSOR. Xerox Corporation
- 2990251** DEVICE AND METHOD FOR OPERATING MULTIMEDIA CONTENT IN A  
VEHICLE. Volkswagen Aktiengesellschaft
- 2990325** FIN STABILIZER, METHOD AND WATER VESSEL. SKF Blohm + Voss  
Industries GmbH
- 2990361** MANUAL PAPER FEEDER THAT ENSURES STABLE PAPER FEEDING  
OPERATION AND IMAGE FORMING APPARATUS INCLUDING THE
-



- SAME. Kyocera Document Solutions Inc.
- 2990371** LIFTING MACHINE. Ruthmann Italia S.r.l.
- 2990385** METHOD FOR TREATMENT OF PROCESS WATER. AVA-Co2 Schweiz AG
- 2990436** RUBBER COMPOSITION PREPARED WITH PRE-TREATED SILICA AND TIRE. The Goodyear Tire & Rubber Company
- 2990527** A PROCESS FOR PREPARING OF COTTON TEXTILES HAVING SELF-CLEANING AND WASHING RESISTANT PROPERTIES. Kemijski Institut; Univerza v Ljubljani
- 2990529** INTERMEDIATE LAYER. Semperit AG Holding
- 2990547** BATHROOM HAVING A SANITARY UNIT FOR TAKING A WET CELL FOR SHOWERING OR BATHING AND A FRONT WALL ELEMENT FOR SAME. Gerloff, Michael
- 2990573** HOIST MECHANISM. Champion Door Oy
- 2990621** LOCKING DEVICE. Mahle International GmbH
- 2990702** BYPASS VALVE AND HYDRAULIC UNIT INCLUDING SUCH A VALVE. Fratelli Pettinaroli S.P.A
- 2990733** Cooking device. Miele & Cie. KG
- 2990766** SYSTEMS AND METHODS FOR PREDICTIVE HEALTH MONITORING OF GYROSCOPES AND ACCELEROMETERS. Honeywell International Inc.
- 2990771** PROMPTING METHOD AND APPARATUS. Xiaomi Inc.
- 2990945** NON-PRECISE GARBAGE COLLECTION IN NON-COOPERATIVE SYSTEMS. Xamarin Inc.
- 2991147** APPARATUS AND METHOD ASSOCIATED WITH REFORMER-LESS FUEL CELL. Palo Alto Research Center, Incorporated
- 2991155** ELECTROLYTE FOR LITHIUM BATTERY AND LITHIUM BATTERY INCLUDING THE SAME. Samsung SDI Co., Ltd.
- 2991234** METHOD, APPARATUS, AND SYSTEM FOR CONFIGURING HIGH-SPEED SERIAL BUS PARAMETER. Huawei Technologies Co., Ltd.
- 2991271** REMOTELY CONTROLLABLE ELECTRONIC DEVICE, NETWORK SYSTEM FOR CONTROLLING THE ELECTRONIC DEVICE AND REMOTE CONTROL METHOD THEREOF. Samsung Electronics Co., Ltd.
- 2991337** IMAGE PROCESSING APPARATUS, METHOD FOR PROCESSING IMAGE, AND RECORDING MEDIUM. Panasonic Intellectual Property Management Co., Ltd.
- 2991444** REGULATING A TEMPERATURE OF AN ITEM TO BE COOKED. BSH Hausgeräte GmbH
- 2992747** HOLDING DEVICE FOR A LOWER LINK OF A THREE-POINT DEVICE OF AN AGRICULTURAL TRACTOR. Deere & Company
-

- 2992770** GLOVE. Bach, Christian
- 2992793** METHOD FOR CLEANING A FLOW CONDUIT SYSTEM CONVEYING MILK OF A BEVERAGE DISPENSER AND BEVERAGE DISPENSER FOR CARRYING OUT THE METHOD. Miele & Cie. KG
- 2992879** PHARMACEUTICAL COMPOSITION FOR INHIBITING AUTOPHAGY OF MOTOR NEURONS AND USE THEREOF. China Medical University
- 2992921** CONNECTOR INTERCONNECTING A HUMIDIFIER AND A FLOW GENERATOR IN A CPAP DEVICE. ResMed Limited
- 2992966** COLOUR SPRAYING SYSTEM AND AIR CONTROL DEVICE FOR A COLOUR SPRAYING DEVICE. J. Wagner GmbH
- 2992988** TOOL HOLDER. Simtek AG
- 2993006** METHOD AND DEVICE FOR PRODUCING INSULATION PANELS BASED ON PORE OR FOAM CONCRETE TECHNOLOGY AND CUTTING DEVICE FOR CUTTING HARDENED BLOCKS FOR SAME. Xella Baustoffe GmbH
- 2993060** PNEUMATIC TIRE. SUMITOMO RUBBER INDUSTRIES, LTD.
- 2993096** SYSTEM AND METHOD TO ADJUST A FORCE ZERO REFERENCE.  
Goodrich Corporation
- 2993126** AIR CUSHION AIRCRAFT CARGO LOADING SYSTEM. Goodrich Corporation
- 2993269** ASSEMBLY FOR THE PROTECTION OF SLOPES. Jakob AG
- 2993283** LOCK CYLINDER. Cogelec
- 2993371** CLUTCH FOR DUAL WET CLUTCH. Valeo Embrayages
- 2993615** SCORING DEVICE AND SCORING METHOD. OMRON CORPORATION
- 2993641** IMAGE PROCESSING DEVICE AND IMAGE PROCESSING METHOD.  
OMRON CORPORATION
- 2993642** METHOD AND APPARATUS FOR GENERATING SHARP IMAGE BASED ON BLURRY IMAGE. Huawei Technologies Co., Ltd.
- 2993655** AIRCRAFT SYSTEMS AND METHODS FOR DISPLAYING SPACING INFORMATION. Honeywell International Inc.
- 2993716** BATTERY HAVING CAP PLATE COUPLED TO ELECTRODE LEAD.  
Samsung SDI Co., Ltd.
- 2993871** MOBILE TERMINAL WITH FLEXIBLE DISPLAY. LG Electronics Inc.
- 2993876** ELECTRONIC DEVICE AND SYSTEM INCLUDING THE SAME. LG Electronics Inc.
- 2993950** ELECTRONIC SHELF LABEL SYSTEM AND METHOD OF OPERATION.  
LANCOM Systems GmbH
- 2994616** ABRADABLE SEAL AND SEALING ARRANGEMENT. Siemens Aktiengesellschaft
-

- 
- 2995109** COMMUNICATION MECHANISM USING SPECTRUM SHARING. Nokia Solutions and Networks Oy
- 2995139** TIMING RELATION OF TPC COMMAND AND UE TRANSMIT POWER ADJUSTMENT IN ADAPTIVE TDD SYSTEMS. MediaTek Inc.
- 2995227** SUSPENSION SYSTEM FOR SUSPENDING A CURTAIN. Fritz Wolf GmbH
- 2995390** INTEGRAL MILL STAND. Primetals Technologies Austria GmbH
- 2995502** ROOF RACK ASSEMBLY FOR A MOTOR VEHICLE. ATERA GmbH
- 2995628** FUNCTIONALISED RUBBER COMPOSITION AND PNEUMATIC TIRE. The Goodyear Tire & Rubber Company
- 2995724** ARRANGEMENT FOR THE REMOVABLE COUPLING OF A TOOL WITH A MANOEUVRABLE ARM OF A WORKING MACHINE. Brokk AB
- 2995824** DEVICE FOR ADJUSTING THE POSITION OF A FIRST MOVABLE COMPONENT RELATIVE TO A SECOND FIXED COMPONENT. casim Gesellschaft für rechnerunterstützte Produktentwicklung und Prozeßmanagement mbH & Co. Dienstleistungs-KG
- 2995830** FLEXIBLE COUPLING. Crompton Technology Group Limited
- 2995894** VERTICAL CONTINUOUS FURNACE. TAV Vacuum Furnaces S.p.A.
- 2996158** SOLAR POWER SYSTEM, ABNORMALITY DETERMINATION PROCESSING DEVICE, ABNORMALITY DETERMINATION PROCESSING METHOD, AND PROGRAM. Omron Corporation
- 2996174** BATTERY PACK FOR ELECTRIC APPLIANCE. ROBERT BOSCH GMBH
- 2996210** HYPERBOLOID ELECTRICAL CONTACT. QA Technology Company, Inc.
- 2996227** FAN HOUSING, ESPECIALLY FOR A FAN FOR A VEHICLE HEATING DEVICE. Eberspächer Climate Control Systems GmbH & Co. KG
- 2996417** TIMING ADJUSTMENT METHOD AND DEVICE. Huawei Technologies Co., Ltd.
- 2996784** ELECTRONIC TOY WITH RADIAL INDEPENDENT CONNECTOR AND ASSOCIATED COMMUNICATION PROTOCOL. VTech Electronics, Ltd.
- 2997365** ANALYSIS METHOD FOR SUPPORTING CLASSIFICATION. Siemens Healthcare Diagnostics Products GmbH
- 2997862** LETTER BOX ASSEMBLY WITH BOX-LIKE HOUSING. Erwin Renz Metallwarenfabrik GmbH & Co. KG
- 2997980** METHODS FOR MODULATING LIPOPROTEIN AND CHOLESTEROL LEVELS IN HUMANS. Kastle Therapeutics, LLC
- 2998046** INTEGRATED PLANT WITH VERY LOW ENVIRONMENTAL IMPACT FOR PRODUCING HOT-ROLLED AND COLD-ROLLED STEEL STRIP. Arvedi Steel Engineering S.p.A.
- 2998107** PRESS DRIVE FOR A FORMING DEVICE. Georg Maschinentchnik GmbH
-

& Co. KG

- 2998155** COMMERCIAL VEHICLE CAB WITH PASSENGER SEAT. GRAMMER AG
- 2998162** COMMERCIAL VEHICLE CAB WITH MOBILE INTERIOR DESIGN.  
GRAMMER AG
- 2998188** COMMERCIAL VEHICLE CAB WITH MULTI FUNCTION CONTAINER.  
GRAMMER AG
- 2998225** AIRCRAFT ENVIRONMENTAL CONTROL SYSTEM AIR DUCT  
ARRANGEMENT. Rolls-Royce plc
- 2998495** DEVICE FOR LOCKING AND UNLOCKING A DOOR LEAF THAT  
COMPRISES A CLOSURE SYSTEM. FERCO
- 2998625** TOOL-LESS VALVE STEM CONNECTOR ASSEMBLY FOR A GLOBE  
VALVE ASSEMBLY. Schneider Electric Buildings, LLC
- 2998828** PRINTING APPARATUS, METHOD FOR CONTROLLING PRINTING  
APPARATUS, AND RECORDING MEDIUM. CANON KABUSHIKI  
KAISHA
- 2999250** METHOD AND APPARATUS FOR INTERCONNECTION BETWEEN  
TERMINAL DEVICE AND GATEWAY DEVICE. Huawei Device Co., Ltd.
- 2999930** SUN TRACKING DEVICE FOR SOLAR MODULES WITH ELASTIC OR  
RESILIENT PSEUDO-HINGES. Ophthalmosystem GmbH
- 3000576** MOULD WITH ROUGHNESS AT THE WELDLINER WALL. Thorsten, Michel
- 3000941** MOUNTED COMPACTOR. MTS Maschinenteknik Schrode AG
- 3001167** SENSOR ASSEMBLY AND METHOD FOR PRODUCING A SENSOR  
ASSEMBLY. ROBERT BOSCH GMBH
- 3001195** EXTRAPOLATION OF INTERPOLATED SENSOR DATA TO INCREASE  
SAMPLE THROUGHPUT. Instrumentation Laboratory Company
- 3001241** OPTOISOLATOR. Huawei Technologies Co., Ltd.
- 3001244** LENS DRIVE APPARATUS, CAMERA MODULE AND CAMERA. Mitsumi  
Electric Co., Ltd.
- 3001823** DEVICE AND METHOD FOR SHARPENING ROTARY KNIVES. Weber  
Maschinenbau GmbH Breidenbach
- 3001827** METHOD AND APPARATUS TO LINE PIPE HOMOGENEOUSLY.  
Envirologics Engineering Inc.
- 3001852** OPERATING APPARATUS FOR A BRAKE. SAF-HOLLAND GmbH
- 3002116** SPLICING DEVICE FOR BLUNT SPLICING OF AN ADHESIVE STRIP. Karl  
Eugen Fischer GmbH
- 3002134** TYRE MONITORING SYSTEM FOR A VEHICLE. Huf Hülsbeck & Fürst  
GmbH & Co. KG
- 3002217** LAVATORY WASH BASIN HANDLE ASSEMBLY. The Boeing Company
-

- 
- 3002389** MOUNTING DEVICE FOR CONNECTING A LIGHT SHAFT. Friedrich Wolfarth GmbH & Co. KG
- 3002583** METHOD AND DEVICE FOR EDDY CURRENT TESTING WITH IMPULSE MAGNETIZATION. Rohmann GmbH
- 3002862** DIGITAL MULTI-LEVEL ENVELOPE TRACKING FOR WIDE-BANDWIDTH SIGNALS. Intel IP Corporation
- 3002887** OPEN-LOOP PRECODER AND OPEN-LOOP PRECODING METHOD IN MULTIPLE-INPUT MULTIPLE-OUTPUT SPATIAL MULTIPLEXING SYSTEM. Foundation for Research & Business, Seoul National University of Science & Technology
- 3005909** CONVERTIBLE JUICER. Omega Products, Inc.
- 3006197** DEVICE AND METHOD FOR ALIGNING PREDOMINANTLY FLAT MATERIAL BLANKS. Kolbus GmbH & Co. KG
- 3006433** COMPOUND, ORGANIC LIGHT EMITTING ELEMENT COMPRISING SAME, AND DISPLAY DEVICE COMPRISING ORGANIC LIGHT EMITTING ELEMENT. Cheil Industries Inc.
- 3006487** FREE FLOWING POLYMER COMPOSITION. Dow Global Technologies LLC
- 3006722** DRIVESHAFT ASSEMBLY. Delphi International Operations Luxembourg S.à r.l.
- 3006769** SINGLE-STAGE, SEPARATED GAS-FLUID SHOCK ABSORBER SERVICING. Goodrich Corporation
- 3007362** RELAY-SUPPORT METHOD, RELAY NODE AND SYSTEM FOR TRANSMITTING VISIBLE LIGHT INFORMATION. ZTE Corporation
- 3007381** METHOD AND APPARATUS FOR BINDING REDUNDANCY VERSIONS WITH A SYSTEM FRAME NUMBER AND SUBFRAME NUMBERS. Huawei Technologies Co., Ltd.
- 3007481** DEVICE AND SYSTEM FOR NETWORK RESOURCE CONFIGURATION. Huawei Technologies Co., Ltd.
- 3008355** PLANETARY GEAR TRAIN FOR A WIND POWER PLANT AND METHOD. Flender GmbH
- 3009247** DEVICE AND METHOD FOR PROCESSING A LAYER-LIKE MATERIAL. FRIMO Group GmbH
- 3009320** DRIVE CONTROL SYSTEM AND DRIVE CONTROL METHOD FOR HYBRID VEHICLE. TOYOTA JIDOSHA KABUSHIKI KAISHA
- 3009692** MOVEABLE FURNITURE PART AND CONNECTING DEVICE. Grass GmbH
- 3009708** VIBRATION DAMPER WITH INDEPENDENTLY ADJUSTABLE SHOCK ABSORPTION FOR THE TRACTION PHASE AND THE PRESSURE
-

PHASE. WP Performance Systems GmbH

- 3009766** SOLAR TRACKING SYSTEM. First Solar, Inc
- 3009797** TRAVEL INFORMATION RECORDING SYSTEM, METHOD, AND PROGRAM. Aisin Aw Co., Ltd.; TOYOTA JIDOSHA KABUSHIKI KAISHA
- 3010109** AIRCRAFT SUPPLEMENTAL ELECTRICAL POWER SYSTEMS. The Boeing Company
- 3010290** UPLINK POWER CONTROL METHOD AND DEVICE THEREOF. Huawei Technologies Co., Ltd.
- 3010776** METHOD FOR REACTIVATING A TRAIN AND DEVICE FOR CARRYING OUT SAID METHOD. Siemens Aktiengesellschaft
- 3011551** FOLDABLE DISPLAY DEVICE AND METHOD OF CONTROLLING THEREFOR. LG Electronics Inc.
- 3011673** MULTILEVEL CONVERTER. Siemens Aktiengesellschaft
- 3012077** DEPOSITION OF EXTRUDED FIBER REINFORCED POLYMERS. The Boeing Company
- 3012133** EV MULTI-MODE THERMAL MANAGEMENT SYSTEM. Atieva, Inc.
- 3012141** HYDRAULIC WHEEL DRIVE FOR A MOTOR VEHICLE AND METHOD FOR OPERATING THE SAME. MAN Truck & Bus AG
- 3012178** VEHICLE. Yamaha Hatsudoki Kabushiki Kaisha
- 3012500** FLUID FLOW CONTROL MEMBERS FOR USE WITH VALVES. Emerson Process Management Regulator Technologies, Inc.
- 3012515** LED LAMP WITH DUAL MODE OPERATION. Energy Focus Inc.
- 3012873** INK COMPOSITION FOR MANUFACTURING SOLAR CELL LIGHT ABSORBING LAYER AND METHOD FOR MANUFACTURING THIN FILM USING SAME. LG Chem, Ltd.
- 3012953** METHOD OF CONTROLLING INVERTER. LSIS Co., Ltd.
- 3013110** INCREASED USER AWARENESS FOR THE SELECTION OF A WLAN DIRECT CONNECTION. CANON KABUSHIKI KAISHA
- 3013172** CLEATED FOOTWEAR WITH FLEXIBLE CLEATS. NIKE Innovate C.V.
- 3013662** METHOD FOR CONTROLLING PLATFORM DOORS AND PLATFORM-DOOR CONTROL DEVICE. Siemens Aktiengesellschaft
- 3013666** METHOD FOR OPERATING A TRAIN CONTROL SYSTEM AND TRAIN CONTROL SYSTEM. Siemens Aktiengesellschaft
- 3014219** DISPLACEMENT DEVICES AND METHODS AND APPARATUS FOR DETECTING AND ESTIMATING MOTION ASSOCIATED WITH SAME. The University of British Columbia
- 3014705** BROADBAND LOW-BEAM-COUPLING DUAL-BEAM PHASED ARRAY. Huawei Technologies Co., Ltd.
-

- 
- 3014819** METHOD FOR PACKET TUNNELING THROUGH SOFTWARE DEFINED NETWORK METHOD OF INTELLIGENTLY CONTROLLING FLOW OF A PACKET THROUGH SOFTWARE DEFINED NETWORK AND SYSTEM. Huawei Technologies Co., Ltd.
- 3016181** ANODE FOR LITHIUM-SULFUR BATTERY AND PREPARATION METHOD THEREFOR. LG Chem, Ltd.
- 3016324** METHOD AND APPARATUS FOR ESTABLISHING PATH ON NETWORK. Huawei Technologies Co., Ltd.
- 3016428** WIRELESS COMMUNICATION DEVICE AND METHOD. Huawei Technologies Co., Ltd.
- 3017640** SYSTEM AND METHOD FOR COOPERATIVE PRECODING IN HETEROGENOUS TWO-TIER WIRELESS NETWORKS. Huawei Technologies Co., Ltd.
- 3017652** POWERING SENSORS IN A HEAT TRACE SYSTEM. Chromalox, Inc.
- 3017789** COVER IMPLANTATION SYSTEM, AND IMPLANTATION SYSTEM FOR SEPARATELY IMPLANTING COVER AND STENT. Chiron Venture Capital (Beijing) Co., Ltd
- 3018009** IMPACT ABSORPTION DEVICE FOR VEHICLES. Gutierrez Fernandez, Isabel Aurora; Bernardo Gutierrez, Rafael
- 3018020** HYBRID BRAKE SYSTEM FOR A VEHICLE, AND METHOD FOR TRIGGERING A HYBRID BRAKE SYSTEM FOR A VEHICLE. KNORR-BREMSE Systeme für Nutzfahrzeuge GmbH
- 3018376** ROLLING BEARING WITH SEAL RING. NSK Ltd.
- 3018763** CONNECTOR. Japan Aviation Electronics Industry, Limited
- 3018805** MULTIPLE-TUNED FILTER DESIGN METHOD FOR HVDC SYSTEM. LSIS Co., Ltd.
- 3018927** COMMUNICATION METHOD AND DEVICE. Huawei Technologies Co., Ltd.
- 3018967** SETTING UP A DIRECT LINK IN A PEER TO PEER WIRELESS NETWORK. Qualcomm Incorporated
- 3019101** FIXATION ASSEMBLY WITH A FLEXIBLE ELONGATED MEMBER FOR SECURING PARTS OF A STERNUM. Stryker European Holdings I, LLC
- 3020185** SYSTEMS AND METHODS FOR LIGHT FIELD MODELING TECHNIQUES FOR MULTI-MODULATION DISPLAYS. Dolby Laboratories Licensing Corporation
- 3020316** SELF-WRUNG FLAT PLATE MOP. Jiaxing Jackson Travel Products Co., Ltd.
- 3020488** METHOD FOR CONNECTING METAL STRIPS. BWG BERGWERK- UND WALZWERK-MASCHINENBAU GMBH
- 3020738** CATALYST AND CATALYST COMPONENT THEREOF. Toho Titanium
-

Co., Ltd.

- 3020962** WIND TURBINE POWER GENERATION FACILITY. MITSUBISHI HEAVY INDUSTRIES, LTD.
- 3021121** POLYPEPTIDE MARKER FOR DIAGNOSIS OF ARTERIOSCLEROSIS, METHOD FOR DETECTION OF ARTERIOSCLEROSIS BY USING THE MAKER OR THE LIKE, AND KIT FOR DIAGNOSIS OF ARTERIOSCLEROSIS. FUJIKURA KASEI CO., LTD.; National University Corporation Chiba University
- 3021191** MOBILE TERMINAL, DISPLAY DEVICE, AND CONTROL METHOD THEREFOR. LG Electronics Inc.
- 3021611** TERMINAL INFORMATION REPORTING METHOD AND RELATED DEVICE. Huawei Technologies Co., Ltd.
- 3021621** METHOD AND USER EQUIPMENT FOR SENDING PREAMBLE SEQUENCE. Huawei Technologies Co., Ltd.
- 3023266** PNEUMATIC TIRE. Sumitomo Rubber Industries, Ltd.
- 3023310** VEHICLE BRAKE CONTROL SYSTEM. Deere & Company
- 3023367** COIN CARRYING AND GUIDING DEVICE OF COIN PAYMENT APPARATUS. Asahi Seiko Co. Ltd.
- 3024140** CLASS E AMPLIFIER OVERLOAD DETECTION AND PREVENTION. Qualcomm Incorporated
- 3024267** METHOD AND DEVICE FOR JUDGING NODE MOVEMENT. Huawei Technologies Co., Ltd.
- 3024290** METHOD FOR CONTROLLING TRANSMISSION POWER IN MULTICHANNEL SYSTEM, RECEPTION END AND TRANSMISSION END. Huawei Technologies Co., Ltd.
- 3024293** METHOD, APPARATUS AND HOST FOR CONFIGURING SECONDARY CELL. Huawei Technologies Co., Ltd.
- 3025476** ADAPTATION OF ACCESS RULES FOR INTERCHANGING DATA BETWEEN A FIRST NETWORK AND A SECOND NETWORK. Siemens Aktiengesellschaft
- 3026111** DNA POLYMERASES. Thermo Fisher Scientific Baltics UAB
- 3026976** RESOURCE ALLOCATION. Nokia Solutions and Networks Oy
- 3027146** IMPROVED SINUS TARSI IMPLANT. Graham, Michael
- 3027162** COMPOUNDING SYSTEMS AND METHODS FOR SAFE MEDICAMENT TRANSPORT. J&J Solutions, Inc. D.B.A Corvida Medical; Garfield, Jared; Lyon, Gregory
- 3027173** TRANSDERMAL ADMINISTRATION SYSTEM FOR USE IN THE TREATMENT OF CHRONIC BRONCHOPULMONARY DISEASES. ABC
-



Farmaceutici S.p.A.

- 3027365** INSTRUMENT CHANGING ASSEMBLY AND METHODS FOR THE SAME. Hysitron, Inc.
- 3027370** INJECTING DEVICE AS WELL AS APPARATUS AND METHOD FOR MIXING POLYMER COMPONENTS USING THE SAME. Afros S.p.A.
- 3027373** MOULD FOR A WIND TURBINE COMPONENT. Vestas Wind Systems A/S
- 3027562** COLLOIDAL AGENTS FOR AQUIFER REMEDIATION. Regensis Bioremediation Products
- 3027997** GAS COOLING ASSEMBLY. A.S.T.R.A. Refrigeranti S.r.l.
- 3028035** METHOD FOR LOCATING A WAFER IN THE INGOT OF SAME. Commissariat à l'Énergie Atomique et aux Énergies Alternatives
- 3028041** IN VITRO METHOD FOR DETERMINING THE STABILITY OF COMPOSITIONS COMPRISING SOLUBLE FC GAMMA RECEPTOR(S). SuppreMol GmbH
- 3028052** METHOD FOR PREDICTING TREATMENT RESPONSE AND TEST FOR SAFE USE OF MESENCHYMAL STEM CELLS ON INFLAMMATORY DISEASES.. Fundación Pública Andaluza Progreso Y Salud; Instituto de Salud Carlos III
- 3028149** SOFTWARE DEVELOPMENT TOOL. SEGGER Microcontroller GmbH
- 3028207** COMMUNICATION USING OVER-THE -TOP IDENTITIES WITHOUT CENTRALIZED AUTHORITY. Nokia Solutions and Networks Oy
- 3028258** METHOD AND SYSTEM FOR TOMOSYNTHESIS IMAGING. Cydar Limited
- 3028291** DVC UTILIZING MEMS RESISTIVE SWITCHES AND MIM CAPACITORS. Cavendish Kinetics, Inc.
- 3028387** LEVEL DE-MULTIPLEXED DELTA SIGMA MODULATOR BASED TRANSMITTER. Telefonaktiebolaget LM Ericsson (publ)
- 3028426** METHOD FOR TRANSMITTING BROADCAST SIGNALS AND METHOD FOR RECEIVING BROADCAST SIGNALS. LG Electronics Inc.
- 3028434** PACKET FORWARDING. Hewlett Packard Enterprise Development LP
- 3028451** APPARATUS FOR TRANSMITTING / RECEIVING BROADCAST SIGNALS. LG Electronics Inc.
- 3029110** LEATHER-LIKE SHEET. DIC Corporation
- 3029302** METHOD AND APPARATUS FOR THE PULSATION CORRECTION OF AN OUTPUT SIGNAL OF AN AIR-FLOW SENSOR. MAN Truck & Bus AG
- 3029517** DISPLAY APPARATUS COMPRISING A BACKLIGHT. Samsung Electronics Co., Ltd.
- 3029576** METHOD, DEVICE AND SYSTEM FOR REMOTE MEMORY EXCHANGE PARTITION. Huawei Technologies Co., Ltd.

- 3029738** METHOD FOR MANUFACTURING A SOLAR CELL. LG Electronics, Inc.
- 3029920** NOTIFICATION DEVICE, NOTIFICATION SYSTEM, NOTIFICATION METHOD, AND PROGRAM. NTT DOCOMO, INC.
- 3030075** RECOVERY ASSEMBLY FOR CRYOPRESERVATION APPLICATIONS.  
Sanofi-Aventis Deutschland GmbH
- 3030086** FAT OR OIL COMPOSITION. Kao Corporation
- 3030107** MECHANICAL PROCESSING TOOL, AND PROCESS AND EQUIPMENT FOR MAKING A MECHANICAL PROCESSING TOOL. Trasforini, Daniele
- 3030116** DEVICE FOR COOKING AND HEATING AND/OR REVIVING OF PORTIONS OF FRESH AND/OR FROZEN PRE-COOKED PASTA AND OTHER FOOD PREPARATIONS. Coquendam S.r.L.
- 3030135** SYSTEM AND METHOD FOR DETERMINING OCULAR SCATTERING.  
Abbott Medical Optics Inc.
- 3030139** PASSIVE DATA TRANSMISSION. Palti, Yoram
- 3030171** INJECTION DEVICE FOR MINIMALLY INVASIVE PROCEDURES. Global Bio Therapeutics, Inc.
- 3030187** SURGICAL LAMP HAVING CONTROL. TRILUX Medical GmbH & Co. KG
- 3030188** SYSTEM FOR RECONSTRUCTION OF SYMMETRICAL BODY PARTS.  
Fiagon GmbH
- 3030281** CASSETTE MODULE. Fresenius Medical Care Deutschland GmbH
- 3030282** CASSETTE MODULE. Fresenius Medical Care Deutschland GmbH
- 3030298** NEBULIZER. Boehringer Ingelheim International GmbH
- 3030311** ANCHOR SLEEVE DEPLOYMENT FOR IMPLANTABLE MEDICAL DEVICES. Medtronic Inc.
- 3030334** FILTER BAG FOR A VACUUM CLEANER AND METHOD FOR IDENTIFYING AN AREA OF A VACUUM CLEANER BAG DIRECTLY SUBJECTED TO FLOW. Eurofilters N.V.
- 3030341** METHOD AND SYSTEM FOR THE PURIFICATION OF EXHAUST GAS WITH AN ELECTROCHEMICAL CELL. Danmarks Tekniske Universitet
- 3030373** METHOD AND DEVICE FOR RESISTANCE WELDING OF SANDWICH-TYPE PLATES. ThyssenKrupp Steel Europe AG
- 3030374** ADDITIVE MANUFACTURING METHOD AND APPARATUS FOR INTEGRATING MULTIPLE MATERIALS IN A FOIL CONSOLIDATION.  
United Technologies Corporation
- 3030382** APPARATUS FOR TIGHTENING THREADED FASTENERS. Hytorc Division Unex Corporation
- 3030404** METHOD FOR PRODUCING A COMPOSITE MOULDED BODY AND CORRESPONDING COMPOSITE MOULDED BODY. Tajik, Mahmoud Reza;
-

Ortho-Nova Gmbh Für Orthopädie-Technik

- 3030430** MODIFIED DIENE ELASTOMER COMPRISING A DIENE ELASTOMER COUPLED BY AN AMINOALKOXYSILANE COMPOUND AND HAVING AN AMINE FUNCTION AT THE CHAIN END, AND RUBBER COMPOSITION COMPRISING SAME. Compagnie Générale des Etablissements Michelin
- 3030435** A DEVICE FOR MONITORING TYRES FOR VEHICLE WHEELS AND TYRE PROVIDED WITH SAID MONITORING DEVICE. Pirelli Tyre S.p.A.
- 3030444** VEHICLE. Krauss-Maffei Wegmann GmbH & Co. KG
- 3030464** CONTROL SYSTEM FOR HYBRID VEHICLE. TOYOTA JIDOSHA KABUSHIKI KAISHA
- 3030485** DEFORMABLE AIRCRAFT WINDOW. PPG Industries Ohio, Inc.
- 3030488** MACHINE FOR PACKAGING SINGLE USE CAPSULES FOR BEVERAGES.. GIMA S.p.A.
- 3030496** RIGID CONTAINER. G.D S.p.A.
- 3030508** APPARATUS AND METHOD FOR TRACKING DEFECTS IN SHEET MATERIALS. KHS GmbH
- 3030512** A SYSTEM FOR MEASURING THE BRAKING FORCE OF A VEHICLE. Snap NT S.r.l.
- 3030518** COLD FILAMENT IGNITION SYSTEM AND METHOD OF SILICON RODS. GTAT Corporation
- 3030534** POLY(ETHYLENE GLYCOL) GEMINAL ESTER PHOSPHATE, USE AS ADDITIVE IN HYDRAULIC COMPOSITIONS AND COMPOSITIONS CONTAINING SAME. COATEX
- 3030537** PIEZOCERAMIC MATERIAL WITH REDUCED LEAD CONTENT. PI Ceramic GmbH
- 3030543** HYDROBROMINATION METHOD. Arkema France
- 3030553** PIPERIDINE AND AZEPINE DERIVATIVES AS PROKINETICIN RECEPTOR MODULATORS. Takeda Pharmaceutical Company Limited
- 3030586** COUPLED DIENE ELASTOMER HAVING A SILANOL FUNCTION IN THE MIDDLE OF THE CHAIN AND HAVING AN AMINE FUNCTION AT THE CHAIN END, AND RUBBER COMPOSITION COMPRISING SAME. Compagnie Générale des Etablissements Michelin
- 3030594** METHOD FOR PRODUCING MONODISPERSE, AMIDOMETHYLATED VINYL AROMATIC BEAD POLYMERS. LANXESS Deutschland GmbH
- 3030616** BIODEGRADABLE POLYMER COMPOSITION FOR THE MANUFACTURE OF ARTICLES HAVING A HIGH HEAT DEFLECTION TEMPERATURE. Novamont S.p.A.
-

- 3030657** LIGASE E3 RNF185 INHIBITORS AND USES THEREOF. Commissariat à l'Energie Atomique et aux Energies Alternatives
- 3030672** ANALYSIS FOR TAKOTSUBO CARDIOMYOPATHY BY MEANS OF DIFFERENTIALLY REGULATED MICRORNA MOLECULES. Medizinische Hochschule Hannover
- 3030689** METAL PRETREATMENT COMPOSITIONS COMPRISING SILANES AND ORGANOPHOSPHORUS ACIDS. Henkel AG & Co. KGaA
- 3030690** METAL PRETREATMENT WITH ACIDIC AQUEOUS COMPOSITIONS COMPRISING SILANES. Henkel AG & Co. KGaA
- 3030705** DEVICE AND METHOD FOR PRODUCING A NET-LIKE THREAD ARRANGEMENT. Ontec Automation GmbH
- 3030707** WASHING MACHINE HAVING AN IMPROVED COUPLING STRUCTURE. Samsung Electronics Co., Ltd.
- 3030710** REDUCING CONTENT OF HEXENURONIC ACIDS IN CELLULOSIC PULP. Novozymes A/S
- 3030721** DIAPHRAGM WALL. Soletanche Freyssinet
- 3030724** INSTALLATION FOR DREDGING OR DEEPENING. C. Boot Holding B.V.
- 3030742** TUBULAR STABBING GUIDE. Weatherford Norge AS; Weatherford U.K. Limited
- 3030747** RETENTION DEVICE FOR DRILL PIPE TRANSMISSION LINE. Baker Hughes, a GE company, LLC
- 3030772** AN INTERNAL COMBUSTION ENGINE WITH A LIQUID DETECTION SYSTEM. Wärtsilä Finland Oy
- 3030774** INTEGRATED THRUST REVERSER DEVICE AND AIRCRAFT ENGINE NACELLE EQUIPPED THEREWITH. Safran Nacelles
- 3030775** DEVICE FOR SUPPLYING ROCKET ENGINE PROPELLANT. ArianeGroup SAS; Centre National d'Etudes Spatiales (CNES)
- 3030779** SILENCER. Mahle International GmbH
- 3030786** FUEL SYSTEM WITH LIQUID RING PUMP WITH CENTRIFUGAL AIR/FUEL SEPARATOR. Woodward, Inc.
- 3030810** T-JOINT, USE OF SUCH A JOINT AND QUICK CONNECTOR PROVIDED WITH SUCH A JOINT. LE JOINT FRANCAIS SNC
- 3030811** MARINE POD HULL SEAL ASSEMBLY. Caterpillar Inc.
- 3030819** METHOD FOR MONITORING A VALVE OF AN AIRCRAFT ENGINE. Snecma
- 3030840** BURNER ASSEMBLY AND METHOD FOR COMBUSTION OF GASEOUS OR LIQUID FUEL. Outotec (Finland) Oy
- 3030843** SYSTEM FOR ENERGY RECOVERY AND CLEANING OF
-

- HEATEXCHANGERS IN SHOWER APPLICATIONS. Hagman, Henrik
- 3030847** HEAT EXCHANGER. Viessmann Werke GmbH & Co. KG
- 3030856** BALLISTIC RESISTANT SHEETS, ARTICLES COMPRISING SUCH SHEETS AND METHODS OF MAKING THE SAME. DSM IP Assets B.V.
- 3030857** ELECTRICAL IGNITING CAP FOR SMALL CALIBER MUNITION. RUAG Ammotec GmbH
- 3030858** ELECTROMECHANICAL PERCUSSION CAP. RUAG Ammotec GmbH
- 3030867** SPECTROMETER COMPRISING A PLURALITY OF DIFFRACTION GRATINGS. Commissariat à l'Énergie Atomique et aux Énergies Alternatives
- 3030898** METAL ION SENSORS AND METHODS OF DETECTING METAL IONS. Georgia State University Research Foundation, Inc.
- 3030899** TEST TAPE DEVICE AND OPERATING METHOD. F. Hoffmann-La Roche AG
- 3030905** BOTULINUM TOXIN ASSAY WITH IMPROVED SENSITIVITY. Biomadison, Inc.
- 3030929** HIGH CONNECTIVITY MULTIPLE DIMENSION OPTICAL NETWORK IN GLASS. Telefonaktiebolaget LM Ericsson (publ)
- 3030931** READING DEVICE FOR READING CODED INFORMATION AND METHOD FOR FOCUSING SUCH A READING DEVICE. Datalogic IP TECH S.r.l.
- 3030934** CAMERA APPARATUS AND FILTER UNIT. Panasonic Intellectual Property Management Co., Ltd.
- 3030972** N-PHASE SIGNAL TRANSITION ALIGNMENT. Qualcomm Incorporated
- 3031034** DATA PROCESSING SYSTEMS. ARM Limited
- 3031037** AUTOMATIC WAREHOUSE. Wib S.r.l
- 3031040** GARMENT WITH AN EMERGENCY DEVICE AND ASSOCIATED EMERGENCY METHOD. Alpinestars Research SRL
- 3031042** METHOD FOR MAKING AVAILABLE AT LEAST ONE POSITION INFORMATION ITEM ABOUT A PARKED MOTOR VEHICLE AND MOTOR VEHICLE. Audi AG
- 3031052** INTEGRAL MOLTEN SALT REACTOR. Terrestrial Energy Inc.
- 3031054** PROCESS AND INSTALLATION FOR INCINERATION, FUSION AND VITRIFICATION OF ORGANIC AND METALLIC WASTES. AREVA NC
- 3031076** PROCESS FOR MANUFACTURING A SEMICONDUCTOR STRUCTURE WITH TEMPORARY BONDING VIA METAL LAYERS. Commissariat à l'Énergie Atomique et aux Énergies Alternatives
- 3031110** ELECTRIC DISTRIBUTION CIRCUIT WITH SWITCHES TO FEED LOADS FROM A SELECTABLE NUMBER OF SOURCES. Safran Transmission
-

## Systems

- 3031196** MIRROR PRESENCE BETWEEN WEBSITES. Huawei Technologies Co., Ltd.
- 3031197** HANDLING OF VIRTUAL MACHINE MOBILITY IN LARGE DATA CENTER. Cisco Technology, Inc.
- 3031198** METHOD AND APPARATUS FOR SELECTIVELY CONFIGURING ALARMS PRIOR TO COMMENCING SILENT MODE OF OPERATION. Nokia Technologies Oy
- 3031212** METHOD OF ACQUIRING INFORMATION ABOUT CONTENTS, IMAGE DISPLAY APPARATUS USING THE METHOD, AND SERVER SYSTEM FOR PROVIDING INFORMATION ABOUT CONTENTS. Samsung Electronics Co., Ltd.
- 3031217** HEARING INSTRUMENT WITH T-COIL. Sonova AG
- 3031232** METHODS, APPARATUSES, AND COMPUTER-READABLE STORAGE MEDIA FOR INTER-FREQUENCY SMALL CELL DETECTION AND REPORTING. Nokia Technologies Oy
- 3031233** CONFIGURATION OF REQUIREMENTS ON MEASUREMENT TIME FOR CELL RESELECTION PROCEDURES INCLUDING AUTONOMOUS CLOSED SUBSCRIBER GROUP, CSG, CELL SEARCH AND RESELECTION. Telefonaktiebolaget LM Ericsson (publ)
- 3031247** TERMINAL AND METHOD FOR INTER RAT ACCESS SELECTION IN A COMMUNICATIONS NETWORK. Telefonaktiebolaget LM Ericsson (publ)
- 3031257** METHOD AND APPARATUS FOR TIMING MISALIGNMENT SIGNALLING. Telefonaktiebolaget LM Ericsson (publ)
- 3031296** COOKING EQUIPEMENT AND METHOD TO CONTROL THE SAID EQUIPEMENT. Miele & Cie. KG
- 3031349** MULTIFUNCTIONAL HAIR TREATMENT DEVICE. Aram Huvis Co., Ltd.
- 3031351** AIRLESS COMPACT CONTAINER. Yonwoo Co., Ltd
- 3031363** INTERNAL SUPPORTS FOR INFLATABLE PRODUCTS. Bestway Inflatables & Material Corp.
- 3031383** IN-BODY MONITORING CAMERA SYSTEM AND SUPPORT TUBE FOR IN-BODY MONITORING-CAMERA-SYSTEM. Sharp Kabushiki Kaisha
- 3031418** DEVICE FOR CURING OBESITY USING COOLING. CLASSYS INC.
- 3031535** MELTER. Meler Aplicadores De Hot-Melt, S.A.
- 3031559** MULTI-BLADE BALL END MILL. Mitsubishi Hitachi Tool Engineering, Ltd.
- 3031566** LEAD-FREE SOLDER ALLOY. Senju Metal Industry Co., Ltd
- 3031640** VEHICLE AIR-CONDITIONING DEVICE. Japan Climate Systems Corporation; Panasonic Corporation
- 3031642** VEHICLE AIR-CONDITIONING DEVICE. Japan Climate Systems
-

Corporation; Panasonic Corporation

- 3031667** BUS ADAPTED FOR THE PERFORMANCE OF PLAYS EN ROUTE.  
ARRIVA SPAIN HOLDING, S.L.U.
- 3031675** DUAL STAGE HYBRID INFLATOR AND METHOD OF TRIGGERING THE  
SAME. Mosa Industrial Corporation
- 3031706** SEAT HINGE STRUCTURE FOR SADDLED VEHICLE. Honda Motor Co.,  
Ltd.
- 3031745** BEVERAGE-CONTAINING POUCH CONTAINER. Naturan International Co.,  
Ltd.
- 3031793** FLUORINATED AROMATIC COMPOUND, METHOD FOR ITS  
PRODUCTION, CURABLE MATERIAL, ITS CURED PRODUCT, AND  
OPTICAL MEMBER. Asahi Glass Company, Limited
- 3031819** METHOD OF EXTRACTING CERAMIDE AND/OR PECTIN FROM WHOLE  
APPLES OR APPLE JUICE RESIDUE. Tsugaru Ringo Ceramides Kabushiki  
Kaisha
- 3031843** POLYIMIDE RESIN. Mitsubishi Gas Chemical Company, Inc.
- 3031854** SOFT THERMOPLASTIC RESIN COMPOSITION. Kaneka Corporation
- 3031855** SOFT THERMOPLASTIC RESIN COMPOSITION. Kaneka Corporation
- 3031873** METHOD FOR MANUFACTURING POWDER COATING MATERIAL AND  
METHOD FOR MANUFACTURING CARBOXYL-GROUP-CONTAINING  
FLUORORESIN. Asahi Glass Company, Limited
- 3031939** NI-GROUP SUPERALLOY STRENGTHENED BY OXIDE-PARTICLE  
DISPERSION. National Institute for Materials Science
- 3031958** SELF-STANDING GAN SUBSTRATE AND METHOD FOR PRODUCING  
SEMICONDUCTOR DEVICE. Mitsubishi Chemical Corporation
- 3032252** MAGNETIC DETECTION DEVICE AND PAPER SHEET PROCESSING  
DEVICE. Kabushiki Kaisha Toshiba, Inc.
- 3032555** ULTRA CAPACITOR MODULE. Ls Mtron Ltd.
- 3032607** BATTERY MODULE. Hitachi, Ltd.
- 3032609** NOTCHING APPARATUS HAVING SCRAP REMOVING PART. LG Chem,  
Ltd.
- 3032623** CATALYST FOR SOLID POLYMER FUEL CELLS AND METHOD FOR  
PRODUCING SAME. Tanaka Kikinzoku Kogyo K.K.
- 3032624** CATALYST PARTICLES, AND ELECTROCATALYST, ELECTROLYTE  
MEMBRANE-ELECTRODE ASSEMBLY, AND FUEL CELL USING SUCH  
CATALYST PARTICLES. NISSAN MOTOR CO., LTD.
- 3032629** REDOX FLOW BATTERY. Sumitomo Electric Industries, Ltd.
- 3032682** POWER SUPPLY SYSTEM, POWER CONVERSION DEVICE, AND
-

- DISTRIBUTION BOARD. Panasonic Intellectual Property Management Co., Ltd.
- 3032700** SHIELD DEVICE AND CONTACTLESS POWER SUPPLY SYSTEM. IHI Corporation
- 3032760** METHOD AND APPARATUS FOR MAPPING DISCOVERY SIGNAL IN WIRELESS COMMUNICATION SYSTEM. LG Electronics Inc.
- 3032806** METHODS AND SYSTEMS FOR SERVICE DISCOVERY MANAGEMENT IN PEER-TO-PEER NETWORKS. Qualcomm Incorporated
- 3032872** METHOD AND APPARATUS FOR STEERING TRAFFIC IN WIRELESS COMMUNICATION SYSTEM. LG Electronics Inc.
- 3032893** METHOD AND APPARATUS FOR CONTROLLING UPLINK POWER. China Academy of Telecommunications Technology
- 3032895** TERMINAL DEVICE, BASE STATION DEVICE, INTEGRATED CIRCUIT, AND WIRELESS COMMUNICATION METHOD. Sharp Kabushiki Kaisha
- 3032897** PAGING METHOD, PAGING MESSAGE OBTAINING METHOD, AND TERMINAL. China Academy of Telecommunications Technology
- 3032913** MOBILE STATION APPARATUS. NTT DoCoMo, Inc.
- 3032915** RADIO COMMUNICATION SYSTEM, RADIO COMMUNICATION METHOD, AND RADIO STATION. FUJITSU LIMITED
- 3032932** LEAD POSITION DETECTING APPARATUS AND COMPONENT INSERTING MACHINE. Fuji Machine Mfg. Co., Ltd.
- 3032940** INTELLIGENT GROUNDS MANAGEMENT SYSTEM INTEGRATING ROBOTIC ROVER. Husqvarna AB
- 3032941** CYTOPLASMIC MALE STERILE CICHORIUM PLANTS. Bejo Zaden B.V.
- 3032947** ANTIMICROBIAL SKIN CARE LIQUID COMPOSITIONS FORMULATED FOR USE IN COLD TEMPERATURE CONDITIONS. Ecolab USA Inc.
- 3032973** SMOKING ARTICLE COMPRISING A COMBUSTIBLE HEAT SOURCE WITH AT LEAST ONE AIRFLOW CHANNEL. Philip Morris Products S.A.
- 3032974** SMOKING ARTICLE WITH SINGLE RADially-SEPARATED HEAT-CONDUCTING ELEMENT. Philip Morris Products S.A.
- 3032985** ORAL CARE IMPLEMENT. Colgate-Palmolive Company
- 3033020** APPARATUS FOR SYNDESISMOSIS FIXATION. DePuy Synthes Products, Inc.
- 3033026** COATED TISSUE EXPANDER. Oxtex Limited
- 3033027** CONFORMABLE TISSUE EXPANDER. Oxtex Limited
- 3033047** APPARATUS FOR CHORDAL REPLACEMENT. Sorin Group Italia S.r.l.
- 3033052** BRIM ATTACHMENT WITH A SEAL ELEMENT FOR A PROSTHETIC SOCKET. Ossur Iceland EHF
- 3033054** ARM IMMOBILIZATION DEVICE. Soteria Industries, Inc.
-



- 
- 3033078** ADJUVANTS IN ANTI-CANCER CHEMOTHERAPY. PharmOxaco SáRL
- 3033118** SAFETY VALVE. Koninklijke Philips N.V.
- 3033120** IMPELLER FOR AXIAL FLOW PUMP. Heartware, Inc.
- 3033122** SYSTEMS FOR A FLUID CARRYING CONDUIT OF A VASCULAR ACCESS SYSTEM. Merit Medical Systems, Inc.
- 3033143** CONNECTORIZED COCHLEAR IMPLANT SYSTEMS. Advanced Bionics AG
- 3033179** ATOMIZER FOR ATOMIZING A LUBRICATING PRODUCT AND LUBRICATING SYSTEM COMPRISING THIS ATOMIZER. SAMES KREMLIN
- 3033190** DISTRIBUTION DEVICE. Pyrotek Engineering Materials Limited
- 3033202** TWIN CLAMP AND METHOD FOR SIMULTANEOUSLY CLAMPING TWO ELONGATE PROFILE SEGMENTS. Rattunde & Co GmbH
- 3033205** COATING UNIT. HOMAG GmbH
- 3033231** METHOD FOR PRODUCING A COMPOSITE MATERIAL. ThyssenKrupp Steel Europe AG
- 3033251** SENSOR ARRANGEMENT FOR DETECTING COMMAND GESTURES FOR VEHICLES. Huf Hülsbeck & Fürst GmbH & Co. KG
- 3033255** PROCEDURE FOR GENERATING A VACUUM FOR AN AUTOMOTIVE VEHICLE. Technoboost
- 3033257** METHOD AND DEVICE FOR LOCKING A RAIL VEHICLE SLIDING DOOR. Siemens AG Österreich
- 3033262** ANTI DROP PANE FOR A LOGISTIC MODULE. YTHALES INVEST
- 3033263** HOUSING FOR ACCOMMODATING OBJECTS. Bombardier Transportation GmbH
- 3033277** MULTIPLE SEAT SHIPPING CONTAINER. Zodiac Seats US LLC
- 3033291** ROTATING LIFTING RING WITH A LOCKING TOOL. Intelprop S.A.
- 3033293** METHOD AND SYSTEM FOR AUTOMATICALLY LANDING CONTAINERS ON A LANDING TARGET USING A CONTAINER CRANE. ABB Schweiz AG
- 3033295** DEVICE AND METHOD FOR TRANSPORTING HEAVY DUTY RACKS BY MEANS OF A TRANSPORT VEHICLE ON AN UNEVEN GROUND SURFACE. Grenzebach Maschinenbau GmbH
- 3033302** BASKET-LIKE DEVICE WITH WALL INSULATION. BASF SE
- 3033311** HEAT TREATABLE COATED GLASS PANE. Pilkington Group Limited
- 3033337** SUBSTITUTED IMIDAZOLES AS N-TYPE CALCIUM CHANNEL BLOCKERS. Janssen Pharmaceutica NV
- 3033348** CATALYST SYSTEM FOR POLYMERISATION OF AN OLEFIN. Saudi
-

Basic Industries Corporation; SABIC Global Technologies B.V.

- 3033369** POLYURETHANE FOAMS AND THEIR UTILISATION. Covestro  
Deutschland AG
- 3033383** METHOD FOR MAKING ULTRA HIGH MOLECULAR WEIGHT  
POLYETHYLENE. Biomet Manufacturing, LLC
- 3033393** HIGH MODULUS AND ULTRA-HIGH DUCTILITY BLENDED  
THERMOPLASTIC COMPOSITIONS. SABIC Global Technologies B.V.
- 3033396** COATING COMPOSITION FOR THE DIP-PAINT COATING OF  
ELECTRICALLY CONDUCTIVE SUBSTRATES CONTAINING A SOL-GEL  
COMPOSITION. BASF Coatings GmbH; Henkel AG & Co. KGaA
- 3033399** INK-JET PRINTING INK COMPRISING N-VINYLOXAZOLIDINONE.  
BASF SE
- 3033420** POLYPEPTIDES HAVING BETA-1,3-GALACTANASE ACTIVITY AND  
POLYNUCLEOTIDES ENCODING SAME. Novozymes A/S
- 3033443** MOLTEN SALT ELECTROLYSIS APPARATUS AND PROCESS. CSIR
- 3033451** LAUNDRY TREATMENT DEVICE AND METHOD FOR CONTROLLING  
THE OPERATION OF A LAUNDRY TREATMENT DEVICE. Diehl AKO  
Stiftung & Co. KG
- 3033452** DRAWER STRUCTURE FOR DISPENSING METERED AMOUNTS OF AT  
LEAST ONE WASHING AGENT IN A WASHING MACHINE, IN  
PARTICULAR A LAUNDRY WASHING MACHINE. ELBI International  
S.p.A.
- 3033454** SYSTEM AND METHOD FOR SUPPORTING BOLLARDS. The UAB  
Research Foundation
- 3033469** SYSTEM AND METHODOLOGY FOR MECHANICALLY RELEASING A  
RUNNING STRING. Schlumberger Technology B.V.
- 3033478** IMPROVED FILLING MECHANISM FOR A MORPHABLE SLEEVE.  
MorphPackers Limited
- 3033505** RIGID PRESS-FIT CAP FOR MOTOR VEHICLES. Dayco Europe S.R.L.
- 3033508** COOLED FUEL INJECTOR SYSTEM FOR A GAS TURBINE ENGINE.  
United Technologies Corporation
- 3033520** IMPROVEMENTS TO PLANETARY GEARS RECIPROCATING PISTON  
MACHINES. Ogunmuyiwa, Adedapo
- 3033522** DEVICE AND METHOD FOR TRANSPORTING AND STORING A WIND  
TURBINE BLADE. Vestas Wind Systems A/S
- 3033524** BATCHING/DELIVERING SYSTEM COMPRISING AT LEAST ONE  
REMOTELY ACTUATED VOLUMETRIC BATCHING PUMP. Stan  
Engineering Corp. S.r.l.
-

- 
- 3033530** TURBOMACHINE STATOR VANE. SNECMA
- 3033580** DEVICE TO CONTROL THE FUNCTIONING OF A HEAT EXCHANGER, HEAT EXCHANGER COMPRISING SAID DEVICE AND CORRESPONDING CONTROL METHOD BASED ON MEASURING AN ELECTROMAGNETIC FIELD. New Technology Consultants
- 3033589** METHODS FOR SEAMLESS MOBILE USE EXPERIENCE BETWEEN OUTDOOR AND INDOOR MAPS. Qualcomm Incorporated
- 3033630** HAND HYGIENE COMPLIANCE. University Health Network
- 3033636** PIXEL IDENTIFICATION FOR SMALL PITCH SCINTILLATION CRYSTAL ARRAYS. Koninklijke Philips N.V.
- 3033704** THERAPY PREDICTION AND OPTIMIZATION OF SERUM POTASSIUM FOR RENAL FAILURE BLOOD THERAPY, ESPECIALLY HOME HEMODIALYSIS. Baxter International Inc.; Baxter Healthcare S.A.
- 3033750** ASSEMBLY COMPRISING A PACKAGE FOR TRANSPORTING RADIOACTIVE SUBSTANCES AND A CHASSIS FOR SUPPORTING THE PACKAGE. TN International
- 3033757** LIGHT HARVESTING PHOTOVOLTAIC DEVICE. CSEM Centre Suisse d'Electronique et de Microtechnique SA; EMPA Eidgenössische Materialprüfungs- und Forschungsanstalt
- 3033780** BATTERY-RETAINING DEVICE. Phoenix Contact GmbH & Co. KG
- 3033782** SOLID COMPOSITE FLUOROPOLYMER SEPARATOR. SOLVAY SA
- 3033783** LI-METAL BATTERY WITH MICROSTRUCTURED SOLID ELECTROLYTE. Robert Bosch GmbH
- 3033796** HYBRID IONIC ELECTRONIC ENERGY STORAGE DEVICE. Robert Bosch GmbH
- 3033807** LOW RESISTANCE INSERT. TE Connectivity Corporation
- 3033840** METHODS AND DEVICES FOR DETERMINING LINK ADAPTATION PARAMETERS. Telefonaktiebolaget LM Ericsson (publ)
- 3033845** SIGNALISATION METHOD FOR A CELLULAR COMMUNICATION NETWORK, BASE STATION AND CORRESPONDING TERMINAL. Orange
- 3033853** COMMUNICATIONS TECHNIQUES FOR A SECURE NEAR FIELD COMMUNICATION ARCHITECTURE. Intel Corporation
- 3033863** MAINTAINING PHASE COHERENCE FOR FREQUENCY OFFSET ESTIMATION. Telefonaktiebolaget LM Ericsson (publ)
- 3033882** APPARATUS FOR TRANSMITTING BROADCAST SIGNALS, APPARATUS FOR RECEIVING BROADCAST SIGNALS, METHOD FOR TRANSMITTING BROADCAST SIGNALS AND METHOD FOR RECEIVING BROADCAST SIGNALS. LG Electronics Inc.
-

- 3033926** AN ILLUMINATION CONTROLLER. Philips Lighting Holding B.V.
- 3034032** DENTAL PROSTHESIS SECURING DEVICE. Toboso Ramón, Jesús
- 3034148** PARTICULATE FILTER. Sumitomo Chemical Company Limited
- 3034202** METAL POWDER PASTE AND METHOD FOR PRODUCING SAME. JX  
Nippon Mining & Metals Corporation
- 3034230** FLUX, SOLDER PASTE AND SOLDERED JOINT. Senju Metal Industry Co.,  
Ltd
- 3034252** APPARATUS FOR CUTTING FOOD INTO SLICES, STICKS, CUBES OR  
STRINGS. SEB S.A.
- 3034264** METHOD FOR MANUFACTURING DECORATIVE MOLDING AND  
DECORATIVE MOLDING. Teijin Limited
- 3034277** BONDED BODY AND BONDING METHOD. Asahi Kasei Kabushiki Kaisha
- 3034426** VALVE ASSEMBLY FOR A HAIR COLOR BOTTLE. Dye Candy LLC
- 3034480** VITREOUS COMPOSITION, BIOACTIVE VITREOUS FIBRES AND  
FABRICS, AND ARTICLES. Fundação Universidade Federal De São Carlos
- 3034877** TROCHOID PUMP WITH AIR DISCHARGE PORT. Mikuni Corporation
- 3035356** ELECTRICAL SWITCHES AND METHODS. Fluke Corporation
- 3035389** DISPLAY PANEL AND METHOD FOR FABRICATING THE SAME.  
Samsung Display Co., Ltd.
- 3035393** SOLAR POWER GENERATION INSPECTION SYSTEM AND SOLAR  
POWER GENERATION INSPECTION METHOD. Hitachi Systems, Ltd.
- 3035415** SECONDARY BATTERY PACK COMPRISING PROTECTION CIRCUIT  
MODULE. LG Chem, Ltd.
- 3035471** HIGH VOLTAGE DC BREAKER. Hyosung Corporation
- 3035718** METHOD FOR OUTPUTTING TEXT DATA CONTENT AS VOICE OF  
TEXT DATA SENDER. LG Chem, Ltd.
- 3035753** METHOD FOR TRUNCATING SERVICE PERIOD, NETWORK  
CONTROLLER AND STATION. Huawei Technologies Co., Ltd.
- 3035786** ATTACHMENT SYSTEM FOR AN IMPLEMENT. Kverneland Group  
Operations Norway AS
- 3035788** BRAKE MECHANISM FOR AGRICULTURAL BALER. CNH Industrial  
Belgium nv
- 3035806** METHOD FOR DETECTING THE STATUS OF POPCORN IN A  
MICROWAVE. Whirlpool Corporation
- 3035811** TREATED TOBACCO AND PROCESSES FOR PREPARING THE SAME,  
DEVICES INCLUDING THE SAME AND USES THEREOF. British American  
Tobacco (Investments) Ltd
- 3035814** ATHLETIC BRA. HBI Branded Apparel Enterprises, LLC
-

- 
- 3035817 CLASP. Carfoldio Ltd.
- 3035821 HEIGHT ADJUSTABLE DESK SYSTEM AND METHOD. Ergotron, Inc.
- 3035847 SPIROMETER SYSTEM AND METHOD FOR DETERMINING LUNG FUNCTIONAL RESIDUAL CAPACITY (FRC) WITH A NON-OCCLUDING SHUTTER. TEL HASHOMER MEDICAL RESEARCH INFRASTRUCTURE AND SERVICES LTD.; Tchernichovsky, Leonid; Itzkovitch, Hanan
- 3035888 SURGICAL IMPLANT. Johnson & Johnson Medical GmbH
- 3036025 METHOD AND DEVICE FOR DEGASSING. Flamco B.V.
- 3036029 METHOD FOR IMPROVING EFFICIENCY OF SPONGE OIL ABSORPTION. UOP LLC
- 3036033 HETEROGENOUS SURFACE FUNCTIONALIZATION. Mycartis N.V.
- 3036040 PROCESS FOR THE CONVERSION OF SUGARS TO LACTIC ACID AND 2-HYDROXY-3-BUTENOIC ACID OR ESTERS THEREOF COMPRISING A METALLO-SILICATE MATERIAL AND A METAL ION. Haldor Topsøe A/S
- 3036059 METHOD FOR ASSEMBLING TWO BLADES OF A TURBOMACHINE NOZZLE. SNECMA
- 3036076 COMPOSITE PLASTIC COMPONENT WITH IMPROVED HEAT-AGEING RESISTANCE. BASF SE
- 3036136 METHOD AND DEVICE FOR REGULATING A BRAKE SYSTEM.  
Continental Teves AG & Co. oHG
- 3036141 VEHICLE DRIVE CONTROL. Audi AG
- 3036147 STEERING STOP. Audi AG
- 3036149 LIGHTING DEVICE FOR A BICYCLE. Mcaleese, William Philip
- 3036174 FLEXIBLE POUCH AND DOCK SYSTEM. Dow Global Technologies LLC
- 3036175 DISPENSING CONTAINER AND METHOD. Dow Global Technologies LLC
- 3036176 DISPENSER FOR FLEXIBLE SHEETS. Dow Global Technologies LLC
- 3036183 MICRODUCT-TUBE WINDER, DOUBLE STATION WINDER, PROCESSING SYSTEM FOR EMPTY PLASTICS MICRODUCT TUBES AND METHOD FOR WINDING UP SUCH TUBES. Graewe GmbH; KraussMaffei Technologies GmbH
- 3036204 GLASS PRODUCT WITH ELECTRICALLY HEATED SURFACE AND METHOD OF ITS MANUFACTURE. "Lascom" Ltd.
- 3036214 PROCESS FOR PREPARING N-ACYL AMINO ACID SALTS. Stepan Company
- 3036247 METHOD AND SYSTEM FOR TREATING LIGNIN. Valmet Technologies Oy
- 3036265 POLYURETHANE ELASTOMERIC SEAL FOR HYDRAULIC PUMPS. Dow Global Technologies LLC
- 3036267 IMPROVED RIGID POLYURETHANE AND POLYISOCYANURATE
-

FOAMS BASED ON FATTY ACID MODIFIED POLYETHER POLYOLS.  
BASF SE

- 3036272** CATALYST FOR SYNTHESIS OF SILOXANES. Momentive Performance Materials Inc.
- 3036275** COMPOSITE PLASTIC COMPONENT WITH IMPROVED ADHESION BETWEEN THE PLASTIC COMPONENTS WHICH IT CONTAINS. BASF SE
- 3036276** METHOD FOR PRODUCING A COMPOSITE PLASTIC COMPONENT. BASF SE
- 3036339** SYSTEMS, METHODS AND DEVICES FOR ASSESSING MICROBIOTA OF SKIN. ELWHA, LLC
- 3036347** APPARATUS AND METHOD FOR STRETCHING A PELT ON A PELT BOARD. Eikon Technologies Holding S.à.r.l.
- 3036357** FILM FORMATION METHOD FOR FORMING METAL FILM. TOYOTA JIDOSHA KABUSHIKI KAISHA
- 3036361** APPARATUS FOR PRODUCING A PLURALITY OF SYNTHETIC YARNS. Oerlikon Textile GmbH & Co. KG
- 3036365** LAUNDRY CARE APPLIANCE. BSH Hausgeräte GmbH
- 3036375** SOUND-DAMPING WALL HAVING VERTICAL POSTS AND A PLURALITY OF DAMPING ELEMENTS. Ed. Züblin Aktiengesellschaft
- 3036384** FACING STRIPS WHICH CAN BE ASSEMBLED EDGE-TO-EDGE BY SELF-LOCKING SOCKETING AND INSTALLATION ACCESSORIES FOR SECURING SAME TO A WALL AND METHOD FOR LAYING. FIXAT
- 3036389** MOTOR VEHICLE DOOR LOCK. Kiekert AG
- 3036396** INFLATABLE SLEEVE WITH CONTROLLED EXPANSION. Calyf
- 3036410** INTEGRAL GUTTER AND FRONT CENTER BODY. United Technologies Corporation
- 3036427** FUEL INJECTION SYSTEM AND METHOD FOR OPERATING A MULTI-FUEL PISTON ENGINE. Wärtsilä Finland Oy
- 3036465** A VALVE SEALING ARRANGEMENT. Seetru Limited
- 3036472** PRESSURE RELIEF DETECTION FOR USE WITH GAS STORAGE. Nuvera Fuel Cells, LLC
- 3036474** A LUMINARY WITH A WIRELESS TRANSMITTER. Philips Lighting Holding B.V.
- 3036495** MULTIPLE MISSILE CARRIAGE AND LAUNCH GUIDANCE MODULE. Lockheed Martin Corporation
- 3036497** ILLUMINATION MUNITION. BAE Systems PLC
- 3036500** FRANGIBLE MUNITION. BAE Systems PLC
-

- 3036514** PRESSURE SENSOR FOR DETECTING FORCE. CeramTec GmbH
- 3036516** IMPROVED MOTOR CONTROL SYSTEM FOR A SELF-CALIBRATING MULTI-CAMERA ALIGNMENT SYSTEM. Snap-On Incorporated
- 3036517** IMPROVED SELF-CALIBRATING MULTI-CAMERA ALIGNMENT SYSTEM. Snap-On Incorporated
- 3036528** GENETICALLY ENCODED PROBE FOR QUANTIFICATION OF PYRUVATE CONCENTRATION AND METHODS OF USING THE SAME. Centro De Estudios Cientificos De Valdivia
- 3036532** METHOD FOR IN-SITU MARKERS FOR THERMAL MECHANICAL STRUCTURAL HEALTH MONITORING. United Technologies Corporation
- 3036597** METHOD AND APPARATUS FOR ADJUSTING PORTABLE ELECTRONIC DEVICE OPERATION BASED ON AMBIENT TEMPERATURE. Google Technology Holdings LLC
- 3036621** APPLYING CIRCUIT DELAY-BASED PHYSICALLY UNCLONABLE FUNCTIONS (PUFS) FOR MASKING OPERATION OF MEMORY-BASED PUFs TO RESIST INVASIVE AND CLONE ATTACKS. Qualcomm Incorporated
- 3036631** OPENING UNSUPPORTED FILE TYPES THROUGH REMOTING SESSIONS. VMware, Inc.
- 3036647** METHOD TO MINIMIZE THE NUMBER OF IRQ LINES FROM PERIPHERALS TO ONE WIRE. Qualcomm Incorporated
- 3036663** THIN DATABASE INDEXING. Pivotal Software Inc.
- 3036736** INSTABILITY DETECTION AND CORRECTION IN SINUSOIDAL ACTIVE NOISE REDUCTION SYSTEMS. Bose Corporation
- 3036745** ION CHAMBER RADIATION DETECTOR. Westinghouse Electric Company Llc
- 3036787** METHOD FOR OPERATING A FUEL CELL STACK, FUEL CELL STACK AND FUEL CELL SYSTEM. Siemens Aktiengesellschaft
- 3036803** FILTERS FOR TERMINAL CRIMPING DEVICES USING ULTRASONIC SIGNALS. TE Connectivity Corporation
- 3036840** METHOD FOR THE DETECTION OF AN ELECTROMAGNETIC SIGNAL BY AN ANTENNA ARRAY, AND DEVICE IMPLEMENTING SAID METHOD. Thales
- 3036841** METHOD FOR THE DETECTION OF AN ELECTROMAGNETIC SIGNAL BY AN ANTENNA ARRAY WITH PATTERN DIVERSITY, AND DEVICE IMPLEMENTING SAID METHOD. THALES
- 3036845** ACTIVE SYSTEM FOR SENSING A TARGET OBJECT. MBDA Deutschland GmbH
-

- 3036873** DEDICATED CONTROL PATH ARCHITECTURE FOR STACKED PACKET SWITCHES. ARRIS International IP Ltd.
- 3036878** UPDATING CONTACT INFORMATION FOR CLIENT DEVICES REGISTERED TO THE SAME USER FOR AN INTERNET PROTOCOL MULTIMEDIA SUBSYSTEM SERVICE. Qualcomm Incorporated
- 3036879** EXCHANGING RICH COMMUNICATION SUITE CAPABILITY INFORMATION IN A COMMUNICATIONS SYSTEM. Qualcomm Incorporated
- 3036942** CONGESTION AND ANALYTICS BASED ACCESS SELECTION CONTROL. Alcatel Lucent
- 3036944** INVERSE SERVICE SPECIFIC ACCESS CONTROL (SSAC). Telefonaktiebolaget LM Ericsson (publ)
- 3036973** SHORT DETECTION CIRCUIT FOR AN LED DRIVER AND SHORT DETECTION METHOD. OLEDWorks GmbH
- 3037014** COSMETIC EYELID-RESHAPING TAPE AND METHOD FOR MANUFACTURING SAME. artsbrains. co. Ltd.
- 3037039** X-RAY IMAGING DEVICE. Vatech Co. Ltd.; Vatech Ewoo Holdings Co. Ltd.
- 3037176** NOZZLE DEVICE. KSK Co., Ltd.
- 3037281** PNEUMATIC TIRE. Bridgestone Corporation
- 3037410** METHOD FOR PRODUCING M-XYLYLENE DIISOCYANATE. Mitsui Chemicals, Inc.
- 3037423** NOVEL BENZODIAZEPINE COMPOUND. GlaxoSmithKline LLC
- 3037434** HUMAN ANTIBODY KAPPA TYPE LIGHT CHAIN COMPLEX-CONTAINING COMPOSITION AND METHOD FOR PRODUCING SAME. Japan Science and Technology Agency
- 3037467** RUBBER COMPOSITION AND TIRE. Kuraray Co., Ltd.; Amyris, Inc.
- 3037468** PNEUMATIC TIRE. Sumitomo Rubber Industries, Ltd.
- 3037483** FLAME-RETARDANT SYNTHETIC RESIN COMPOSITION. Adeka Corporation
- 3037565** NON-ORIENTED ELECTRICAL STEEL SHEET HAVING HIGH MAGNETIC FLUX DENSITY AND MOTOR. JFE Steel Corporation
- 3037569** MOS2 THIN FILM AND METHOD FOR MANUFACTURING SAME. Konkuk University Industrial Cooperation Corp.
- 3037667** VACUUM PUMP MECHANISM. Mikuni Corporation
- 3037773** HEAT EXCHANGER, AIR CONDITIONER, REFRIGERATION CYCLE DEVICE, AND METHOD FOR PRODUCING HEAT EXCHANGER. Mitsubishi Electric Corporation
- 3037941** CURSOR LOCATION CONTROL DEVICE, CURSOR LOCATION
-



- CONTROL METHOD, PROGRAM, AND INFORMATION STORAGE MEDIUM. Sony Interactive Entertainment Inc.
- 3038182** BATTERY PACK HAVING CURVED SURFACE STRUCTURE. LG Chem, Ltd.
- 3038267** POWER FEED LINE SWITCHING CIRCUIT, BRANCHING DEVICE, SUBMARINE CABLE SYSTEM, AND POWER FEED LINE SWITCHING METHOD. NEC Corporation
- 3038296** POOL ELEMENT STATUS INFORMATION SYNCHRONIZATION METHOD, POOL REGISTER AND POOL ELEMENT. Huawei Technologies Co., Ltd.
- 3038373** SIGNAL PROCESSING DEVICE, SIGNAL PROCESSING METHOD, PROGRAM, AND SIGNAL TRANSMISSION SYSTEM. Sony Corporation
- 3038408** MOBILE COMMUNICATION METHOD. NTT DoCoMo, Inc.
- 3038475** IRON SUPPLEMENTATION OF A BOUILLON CONCENTRATE. DSM IP Assets B.V.
- 3038482** FILTERING FACE-PIECE RESPIRATOR HAVING NOSE CUSHIONING MEMBER. 3M Innovative Properties Company
- 3038485** ADJUSTMENT MECHANISM FOR A HEADBAND ARRANGEMENT OF A SAFETY HELMET. MSA Technology, LLC
- 3038528** INDUCTIVE RESPIRATION SENSOR. IEE International Electronics & Engineering S.A.
- 3038590** COSMETIC COMPOSITION. BASF SE
- 3038666** BIOERODIBLE COMPOSITES FOR ENDOPROSTHESES. Boston Scientific Scimed, Inc.
- 3038751** SUPPORTED COMPOSITION AND THE USE THEREOF IN METHODS FOR THE HYDROFORMYLATION OF UNSATURATED COMPOUNDS. Evonik Degussa GmbH
- 3038766** COLD PILGER ROLLING MILL AND METHOD FOR FORMING A TUBE SHELL TO A TUBE. Sandvik Materials Technology Deutschland GmbH
- 3038837** METHOD FOR APPLYING AN IMAGE USING A UV CURABLE PHASE CHANGE INK. OCE-Technologies B.V.
- 3038866** ELECTROHYDRAULIC VEHICLE BRAKE SYSTEM HAVING AN ELECTROMECHANICAL ACTUATOR AND METHOD FOR OPERATING THE BRAKE SYSTEM. Lucas Automotive GmbH
- 3038892** HYDRAULIC DUAL CONTROL DEVICE FOR BICYCLE. Rotor Componentes Tecnológicos S.L.
- 3038952** RAIL-BORNE TRANSPORT VEHICLE AND SORTING SYSTEM FOR SORTING GOODS. Siemens Aktiengesellschaft
-

- 3038963** METHOD FOR SPLICING TWO THERMOFUSIBLE ARTICLES IN THE FORM OF STRIPS OR LAYERS, AND SPLICING MODULE FOR IMPLEMENTING SAID METHOD. Spoolex
- 3038968** DEVICE FOR DETECTING THE REPLACEMENT STATE OF WEAR OF A HIGH-STRENGTH FIBRE ROPE DURING USE IN LIFTING GEAR. Liebherr-Components Biberach GmbH
- 3038971** METHOD AND FILLING SYSTEM FOR FILLING CONTAINERS. KHS GmbH
- 3038977** METHOD FOR IMPROVING THE OPERABILITY OF AN OLEFIN POLYMERIZATION REACTOR. Basell Poliolefine Italia S.r.l.
- 3039078** CROSS-LINKABLE COMPOSITIONS BASED ON ORGANOSILICON COMPOUNDS AND THUS PRODUCED MOULDED BODIES. Wacker Chemie AG
- 3039215** FASTENING CLIP AND METHOD FOR FASTENING A FINISHING FRAME AGAINST A FRAME OF A WINDOW OR SIMILAR AND WINDOW EQUIPPED WITH SUCH A FASTENING CLIP. Reynaers Aluminium, naamloze vennootschap
- 3039218** DRILL HEAD FOR EXPANDING A PILOT BORE IN ORDER TO CREATE A BOREHOLE. Herrenknecht AG
- 3039229** TUBULAR ELEMENT WITH DYNAMIC SEALING AND METHOD FOR APPLYING SAME AGAINST THE WALL OF A WELLBORE. Saltel Industries
- 3039291** BICYCLE WITH AN AUTOMATIC PRESSURIZATION SYSTEM. Wexelbar GmbH & Co. KG
- 3039297** ELECTRICAL SUBMERSIBLE PUMP AND PUMP SYSTEM INCLUDING ADDITIVELY MANUFACTURED STRUCTURES AND METHOD OF MANUFACTURE. General Electric Company
- 3039311** BRAKE UNIT. SAF-HOLLAND GmbH
- 3039315** A PISTON PIN AND METHOD OF APPLYING AN ANTI-SEIZE COATING ON THE PIN. H.E.F.; Mahle International GmbH
- 3039337** A SHELL-AND-TUBE APPARATUS FOR HEAT RECOVERY FROM A HOT PROCESS STREAM. Casale SA
- 3039363** ARRANGEMENT FOR COOLING CHANNELS IN AN ELECTRODE SYSTEM. Outotec (Finland) Oy
- 3039445** PASSIVE POSITIONING UTILIZING ROUND TRIP TIME INFORMATION. Qualcomm Incorporated
- 3039484** STABLE METAL COMPOUNDS AS HARDMASKS AND FILLING MATERIALS, THEIR COMPOSITIONS AND METHODS OF USE. AZ
-

Electronic Materials (Luxembourg) S.à.r.l.

- 3039559** CONFIGURABLE CLOCK TREE. Qualcomm Incorporated
- 3039703** GAS-INSULATED HIGH-VOLTAGE CIRCUIT-BREAKER. ABB Schweiz AG
- 3039720** BIPOLAR NON-PUNCH-THROUGH POWER SEMICONDUCTOR DEVICE. ABB Schweiz AG
- 3039769** POWER FEEDING APPARATUS, POWER RECEIVING APPARATUS, POWER FEEDING SYSTEM, AND METHOD OF CONTROLLING POWER FEEDING. Sony Corporation
- 3039881** ROTARY USER INTERFACE FOR HEADPHONES. Bose Corporation
- 3040128** COATING MACHINE HAVING ROTARY ATOMIZING HEAD. ABB K.K.
- 3040153** FLUX-CORED WIRE. Kabushiki Kaisha Kobe Seiko Sho (Kobe Steel, Ltd.)
- 3040327** METHOD FOR PRODUCING FLUORINATED COMPOUND. Asahi Glass Company, Limited
- 3040392** ELECTRICALLY CONDUCTIVE JOINING COMPOSITION, ELECTRICALLY CONDUCTIVE JOINING SHEET, ELECTRONIC COMPONENT, AND PRODUCTION METHOD FOR SAME. Nitto Denko Corporation
- 3040449** ELECTROCHEMICAL REDUCTION DEVICE. JX Nippon Oil & Energy Corporation
- 3040528** CONSTRUCTION MACHINE. Hitachi Construction Machinery Tierra Co., Ltd.
- 3040562** REGULATOR STRUCTURE AND CENTRIFUGAL COMPRESSOR. Gree Electric Appliances, Inc. of Zhuhai
- 3040580** TOOTHED BELT DRIVING DEVICE FOR BICYCLE. Mitsubishi Belting Ltd.
- 3040671** AIR COOLER, COOLING DEVICE, AND NUCLEAR FACILITY. Mitsubishi Heavy Industries, Ltd.
- 3041033** ETCHING METHOD. Tokyo Electron Limited
- 3041075** FUEL CELL UNIT. Sumitomo Precision Products Co., Ltd.
- 3041150** WIRELESS COMMUNICATION APPARATUS. Sony Corporation
- 3041653** INSERT-MOULDED LEAD FRAME AND METHOD FOR THE PRODUCTION THEREOF. Robert Bosch GmbH
- 3041710** METHOD TO MANOEUVRE A VEHICLE. Robert Bosch GmbH
- 3041730** ALUMINIUM DIE-CAST PART. Bayerische Motoren Werke Aktiengesellschaft
- 3041731** FIBER-COMPOSITE PLASTIC COMPONENT AND PRODUCTION PROCESS. Volkswagen Aktiengesellschaft
- 3041750** APPARATUS AND METHOD FOR CUTTING FACESTOCK. Eti Converting Equipment
-

- 3041847** PRECURSORS FOR THE PRODUCTION OF THIN OXIDE LAYERS AND THE USE THEREOF. Merck Patent GmbH
- 3041961** CHROMATOGRAPHIC SEPARATION OF SUGARS USING BLEND OF CATION EXCHANGE RESINS. Dow Global Technologies LLC; Rohm and Haas Company
- 3041983** HOUSEHOLD APPLIANCE WITH CONVERSION VALVE. BSH Hausgeräte GmbH
- 3041984** DISTRIBUTION OF LIQUID IN A HOUSEHOLD APPLIANCE. BSH Hausgeräte GmbH
- 3041993** CONCRETE PAVING STONE. Betonwerk Kwade GmbH & Co. Kommanditgesellschaft
- 3042081** PUMP WITH CUTTING WHEEL AND PRE-CUTTER. Brinkmann Pumpen K.H. Brinkmann GmbH & Co. KG
- 3042085** PUMP WITH CUTTING WHEEL AND PRE-CUTTER. Brinkmann Pumpen K.H. Brinkmann GmbH & Co. KG
- 3042086** LOAD HOLDING VALVE. Hydac Fluidtechnik GmbH
- 3042093** FRICTION CLUTCH DEVICE. Schaeffler Technologies GmbH & Co. KG
- 3042108** SEALING ELEMENT WITH ADDITIONAL RING. Paul Müller GmbH & Co. KG Unternehmensbeteiligungen
- 3042160** METHOD FOR MEASURING THE FLUID LEVEL IN A COLLECTING VESSEL AND SENSOR INSTALLATION. Pepperl + Fuchs GmbH
- 3042243** TONER, DEVELOPER, AND IMAGE FORMING APPARATUS. Ricoh Company, Ltd.
- 3042413** BODY FROM METALLURGIC POWDER AS INTERCONNECTOR OR ENDPLATTE FOR AN ELECTROCHEMICAL CELL. Plansee SE
- 3042740** POWER TOOL AND OPERATION METHOD FOR THE POWER TOOL. Positec Power Tools (Suzhou) Co., Ltd
- 3042942** MICROCAPSULE COLOR MATERIAL, AND INK COMPOSITION FOR WRITING TOOLS. Mitsubishi Pencil Company, Limited
- 3042960** METHOD FOR PRODUCING AMBREIN. Niigata University
- 3043047** GAS FLOW ADJUSTING DEVICE. Chen, Wen-Chuan
- 3043348** VOICE INTERACTION CONTROL METHOD. Panasonic Intellectual Property Corporation of America
- 3043368** BYPASS SWITCH FOR HVDC TRANSMISSION. LSIS Co., Ltd.
- 3043517** ROUTING METHOD, METHOD FOR CONTROLLING ROUTING, NETWORK NODE AND CONTROL ENTITY. Huawei Technologies Co., Ltd.
- 3043608** METHOD AND DEVICE FOR JOINING CENTRAL-TYPE CLUSTER. Huawei Technologies Co., Ltd.
-

- 
- 3043929** CLASSIFICATION OF POLYCRYSTALLINE SILICON. Wacker Chemie AG
- 3044001** PRINTING SYSTEM AND PRINTING DEVICE FOR BOTTLES OR CONTAINERS HAVING A MULTI-PART SUPPLY TANK, AND METHOD. KHS GmbH
- 3044060** METHOD FOR A HYBRID OR ELECTRIC VEHICLE FOR REGULATING THE DISTANCE WITH A PRECEDING VEHICLE. Technoboost
- 3044088** BOAT DRIVE. ZF Friedrichshafen AG
- 3044118** CONTAINER CAN AND HOLDING DEVICE. Ball Beverage Packaging Europe Ltd.
- 3044129** RETRIEVAL/STORAGE APPARATUS FOR AUTOMATIC WAREHOUSE SYSTEMS. Modula S.p.A. con socio unico
- 3044131** APPARATUS AND METHOD FOR SERVICING CONVEYOR ELEMENTS IN A CONTAINER HANDLING SYSTEM. Krones AG
- 3044133** DEVICE AND METHOD FOR MOVING CONVEYING ELEMENTS IN A CONTAINER TREATMENT PLANT. Krones AG
- 3044160** WITHDRAWAL SYSTEM. as Strömungstechnik GmbH
- 3044286** ORGANIC ELECTROLUMINESCENT DEVICE. Merck Patent GmbH
- 3044374** METHOD FOR CORRECTING A RAIL TRACK. Plasser & Theurer Export von Bahnbaumaschinen Gesellschaft m.b.H.
- 3044404** DOWNHOLE PULSE GENERATING DEVICE. National Oilwell Varco, L.P.
- 3044422** CAN-ANNULAR GAS TURBINE ENGINE COMBUSTOR ARRANGEMENT HAVING TANGENTIALLY ORIENTED COMBUSTOR CANS WITH RADIAL MIDFRAME BAFFLES. Siemens Energy, Inc.
- 3044497** LIGHTING DEVICE. Philips Lighting Holding B.V.
- 3044505** MULTISOURCE STAGE LIGHT FIXTURE. Clay Paky S.p.A.
- 3044506** EXPLOSION-PROOF LUMINAIRE. Eaton Intelligent Power Limited
- 3044507** LAMP. Eaton Intelligent Power Limited
- 3044535** CONSTRUCTION KIT AND METHOD FOR PRODUCING A DESTRUCTIVE CHARGE CONTAINING A HOLLOW CHARGE. Rheinmetall Waffe Munition GmbH
- 3044636** RESIN FOR TONER, TONER, DEVELOPER, IMAGE FORMING APPARATUS, AND PROCESS CARTRIDGE. Ricoh Company, Ltd.
- 3044918** NETWORK-BASED ADAPTIVE RATE LIMITING. Cisco Technology, Inc.
- 3044981** SYSTEM AND METHOD FOR MULTIHOP SERVICE DISCOVERY WITH MEMBER STATION PROXY SERVICE ADVERTISEMENTS. Qualcomm Incorporated
- 3045002** METHODS AND APPARATUSES FOR IMPROVING QUALITY OF POSITIONING. Qualcomm Incorporated
-

- 3045119** REUSABLE BIOPSY GUN AND A LOCKABLE BIOPSY NEEDLE FOR USE THEREWITH. Coloplast A/S
- 3045572** C-SHAPED COMPOSITE FIBER, C-SHAPED HOLLOW FIBER THEREOF, FABRIC INCLUDING SAME, AND METHOD FOR MANUFACTURING SAME. Toray Chemical Korea Inc.
- 3045771** V-BELT AND PRODUCTION METHOD THEREFOR. Bando Chemical Industries, Ltd.
- 3046152** ILLUMINATION DEVICES INCLUDING MULTIPLE LIGHT EMITTING ELEMENTS. Quarkstar LLC
- 3046280** DOWNLINK MIMO TRANSMISSION CONTROL METHOD AND BASE STATION APPARATUS. NTT DoCoMo, Inc.
- 3046630** COSMETIC COMPOSITION USEFUL AS A HIGH COLOR INTENSITY AND EASILY REMOVABLE MASCARA. L'Oréal
- 3046680** DISPENSER SYSTEM. Aptar Radolfzell GmbH
- 3047177** LONGITUDINAL SWINGING ARM. ZF Friedrichshafen AG
- 3047241** MONITORING PROCESS FOR A MEASUREMENT DEVICE IN AUTOMATION. Endress + Hauser Flowtec AG
- 3047245** THERMAL IMAGING CALIBRATION SYSTEM AND METHOD. LEONARDO MW LTD
- 3047254** METHOD FOR COATING A METAL PART PROVIDED WITH AT LEAST ONE FASTENING HOLE. thyssenkrupp Rothe Erde GmbH
- 3047557** LOW POWER DETECTION OF WIRELESS POWER DEVICES. Qualcomm Incorporated
- 3047684** STATE-DRIVEN SECONDARY CELL ACTIVATION AND DEACTIVATION. Telefonaktiebolaget LM Ericsson (publ)
- 3047822** BALANCED PHACOEMULSIFICATION TIP. Alcon Research, Ltd.
- 3048054** PACKAGING MACHINE. Ishida Co., Ltd.
- 3049173** METHOD FOR CLEANING A FLOW OF CRACKED GAS IN AN OIL WASHING COLUMN. Linde Aktiengesellschaft
- 3049174** OIL WASHING COLUMN. Linde Aktiengesellschaft
- 3049188** STREAM DEFLECTOR. Nelson Irrigation Corporation
- 3049197** ROLLING METHOD. Primetals Technologies Germany GmbH
- 3049262** SUSPENSION DEVICE WITH CYLINDRICAL BUMPSTOPS. PSA Automobiles SA
- 3049316** OVERHEAD CONVEYING APPARATUS FOR MOUNTING ON THE CEILING OF AN ASSEMBLY PLANT. Hösker, Torsten
- 3049356** DEVICE AND METHOD FOR CONTROLLING THE SEPARATION OF SHEETS OF PAPER WEBS IN REWINDING MACHINES AND A
-

- REWINDING MACHINE PROVIDED WITH SUCH A DEVICE. Futura S.p.A.
- 3049357** DEVICE AND METHOD FOR CONTROLLING THE DISCHARGE OF LOGS FROM A REWINDING MACHINE. Futura S.p.A.
- 3049451** USE OF CATIONIC COPOLYMERS. Construction Research & Technology GmbH
- 3049458** METHOD FOR MAKING POLY (BUTYLENE OXIDE) POLYOLS. Dow Global Technologies LLC
- 3049487** MULTISTAGE COATING METHOD AND LOW TEMPERATURE CURABLE COATINGS MADE THEREFROM AND THEIR USE. BASF Coatings GmbH
- 3049543** PRODUCTION OF HIGH-GRADE MANGANESE FROM FERROMANGANESE BY MEANS OF VAPORIZATION IN A VACUUM INDUCTION PLANT. SMS group GmbH
- 3049617** DETECTION OF POSITION OF A PLUNGER IN A WELL. Rosemount Inc.
- 3049642** GAS TURBINE ENGINE WITH SPLIT LUBRICATION SYSTEM. United Technologies Corporation
- 3049694** TORSIONAL VIBRATION DAMPING ARRANGEMENT IN A POWERTRAIN OF A VEHICLE. ZF Friedrichshafen AG
- 3049742** METHOD AND DEVICE FOR THE CONVECTION DRYING OF GOODS. Fachhochschule Münster
- 3049785** PRESSURE SENSOR WITH MINERAL INSULATED CABLE. Rosemount Inc.
- 3049804** CHROMATOGRAPHY COLUMN ASSEMBLY. GE Healthcare Bio-Sciences AB
- 3050131** IMPROVED METHOD FOR PRODUCING THERMOELECTRIC COMPONENTS BY POWDER METALLURGY. Evonik Degussa GmbH
- 3050136** METHOD FOR PRODUCING A BATTERY MODULE AND BATTERY MODULE. Audi AG
- 3050166** LEAD-THROUGH TERMINAL. Phoenix Contact GmbH & Co. KG
- 3050767** DEVICE FOR CONTROLLING HYBRID VEHICLE. NISSAN MOTOR CO., LTD.
- 3050834** TRANSPORT SYSTEM FOR THE MOVEMENT OF PASSENGERS. ThyssenKrupp Elevator Innovation Center S.A.
- 3051111** WASTE HEAT RECOVERY SYSTEM, SHIP PROPULSION SYSTEM, SHIP, AND WASTE HEAT RECOVERY METHOD. Mitsubishi Heavy Industries, Ltd.
- 3051142** GAS TURBINE AXIAL COMPRESSOR. MTU Aero Engines AG
- 3052822** BALL JOINT WITH A LOADING-OPTIMIZED BALL SHELL. ZF
-

Friedrichshafen AG

- 3052959** DYNAMIC POSITION PARTITIONING FOR BETTER USER EXPERIENCE IN INDOOR POSITIONING. Qualcomm Incorporated
- 3053567** INFANT INCUBATOR. Atom Medical Corporation
- 3054536** CONNECTOR AND IT DEVICE. Huawei Technologies Co., Ltd.
- 3054557** UNINTERRUPTIBLE POWER SYSTEM. Huawei Technologies Co. Ltd.
- 3054560** VEHICLE MOUNTING STRUCTURE OF CONTACTLESS POWER RECEPTION DEVICE. NISSAN MOTOR CO., LTD.
- 3055463** DEVICE FOR CONNECTING SANITARY FITTINGS. Keuco GmbH & Co. KG
- 3055472** FITTING OF AN AT LEAST LIFTABLE, BUT PREFERABLY ALSO DISPLACEABLE WING OF WINDOWS OR DOORS. Siegenia-Aubi KG
- 3056354** NON-PNEUMATIC TIRE. Bridgestone Corporation
- 3056522** METALLOCENE COMPOUNDS, CATALYST COMPOSITIONS COMPRISING THE SAME, AND METHOD FOR PREPARING OLEFIN POLYMERS USING THE SAME. LG Chem, Ltd.
- 3057483** CLEANING TOOL FOR A FLOOR CLEANING DEVICE. Alfred Kärcher GmbH & Co. KG
- 3058824** ACTIVE COMPOUND COMBINATIONS COMPRISING PROTHIOCONAZOLE AND FLUXAPYROXAD FOR CONTROLLING CORN DISEASES. Bayer CropScience AG
- 3059016** ULTRASONIC AUTOMIZER FOR ASEPTIC PROCESS. Peptron, Inc.
- 3059017** ULTRASONIC ATOMIZER FOR ASEPTIC PROCESS. Peptron Inc.
- 3059929** METHOD FOR ACQUIRING PHYSICAL ADDRESS OF VIRTUAL MACHINE. Huawei Technologies Co., Ltd.
- 3061624** NON-PNEUMATIC TIRE. Bridgestone Corporation
- 3063034** IMAGE PROCESSING DEVICE, METHOD FOR DETERMINING OF IMAGE INFORMATION AND COMPUTER PROGRAM FOR EXECUTING THE METHOD. VOLKSWAGEN AKTIENGESELLSCHAFT
- 3063209** SYNTHESIS AND USE OF METALLIZED POLYHEDRAL OLIGOMERIC SILSEQUIOXANE CATALYST COMPOSITIONS. Huntsman International LLC
- 3064282** VISCOUS-MATERIAL FILLING METHOD. Kaga Works Co. Ltd.
- 3064288** METHOD FOR FORMING AN L-SHAPED PART. JFE Steel Corporation
- 3066343** MAGNETIC PUMP FOR AN UXILIARY ASSEMBLY OF A VEHICLE AND METHOD OF CONTROLLING A MAGNETIC PUMP FOR AN AUXILIARY ASSEMBLY. Pierburg GmbH
- 3067605** A VALVE ASSEMBLY. Cameron International Corporation
-



- 
- 3068616** DEVICE FOR SEALING AND INFLATING INFLATABLE OBJECTS.  
Continental Reifen Deutschland GmbH
- 3069200** ELECTROMECHANICAL OR DIGITAL WATCH COMPRISING A DIAL  
AND METHOD FOR MANUFACTURING SUCH A DIAL. ETA SA  
Manufacture Horlogère Suisse
- 3069460** CODING AND FILTERING FOR MACHINE-TYPE COMMUNICATION.  
Telefonaktiebolaget LM Ericsson (publ)
- 3069780** METHODS FOR ACID GAS ENRICHMENT. Fluor Technologies Corporation
- 3070001** SATELLITE SCHEDULING SYSTEM. Terra Bella Technologies Inc.
- 3070688** CARD CASSETTE DEVICE AND CARD DISPENSING APPARATUS  
USING THE SAME. Asahi Seiko Co., Ltd.
- 3072201** METHOD AND APPARATUS FOR ADAPTIVE MANAGEMENT FOR A  
MEMORY SYSTEM FOR A PHOTOVOLTAIC SYSTEM. Robert Bosch  
GmbH
- 3073300** A PHOTONIC CRYSTAL FIBRE FOR TRANSFERRING RADially  
POLARISED LIGHT BEAM AND A METHOD OF MANUFACTURING  
SUCH A FIBRE. Instytut Technologii Materiałów Elektronicznych
- 3073471** STRETCH LABEL AND MANUFACTURING METHOD THEREFOR. Fuji  
Seal International, Inc.
- 3073778** METHOD, DEVICE, SYSTEM, AND STORAGE MEDIUM FOR REDUCING  
MEASUREMENT SIGNALING IN LTE NETWORK. ZTE Corporation
- 3075637** GROUND SLIDING TYPE FLEXIBLE FRAMING SYSTEM. Guangzhou  
MINO Automotive Equipment Co., Ltd.
- 3077645** BUTTERFLY VALVE FOR A COMBUSTION ENGINE AND METHOD FOR  
THE CONTROL OF A THROTTLE VALVE. Pierburg GmbH
- 3077654** VALVE UNIT WITH PURGE AIR PUMP. Continental Automotive GmbH
- 3077656** FUEL PUMP. Continental Automotive GmbH
- 3078564** METHOD FOR MANAGING VEHICLE TRAFFIC IN A RAILWAY  
NETWORK; RELATED SYSTEM AND CENTRAL CONTROLLER.  
ALSTOM Transport Technologies
- 3079304** METHOD, APPARATUS AND SYSTEM FOR MANAGING TERMINAL  
DEVICE IN PASSIVE OPTICAL NETWORK. Huawei Technologies Co. Ltd.
- 3081201** BODY ADHERING ABSORBENT ARTICLE. Kimberly-Clark Worldwide, Inc.
- 3081403** TYRE MONITORING SYSTEM FOR A VEHICLE. Huf Hülsbeck & Fürst  
GmbH & Co. KG
- 3082284** COMMUNICATION METHOD, DEVICE, AND SYSTEM FOR PASSIVE  
OPTICAL NETWORK. Huawei Technologies Co., Ltd.
- 3082325** METHOD OF HANDLING LOST CALL AND ELECTRONIC APPARATUS
-

USING THE SAME. HTC Corporation

- 3082346** OPTICAL SWITCHING DEVICE. Huawei Technologies Co., Ltd.
- 3082371** RANDOM ACCESS METHODS, BASE STATION AND USER EQUIPMENT.  
Huawei Technologies Co., Ltd.
- 3086492** LTE FRAME SYNCHRONIZATION DETECTION METHOD AND  
APPARATUS AND RELAY APPARATUS APPLYING SAME. Solid, Inc.
- 3086510** SERVICE CHAIN MANAGEMENT METHOD, SYSTEM AND DEVICE. ZTE  
Corporation
- 3086607** SYSTEM AND METHOD FOR SCANNING WIRELESS CHANNELS. Avago  
Technologies General IP (Singapore) Pte. Ltd.
- 3087964** PERSON SUPPORT APPARATUS POWER DRIVE SYSTEM. Hill-Rom  
Services, Inc.
- 3088312** MACHINE AND METHOD FOR THE PACKAGING AND HIGH PRESSURE  
TREATMENT OF PRODUCTS. MULTIVAC Sepp Haggemüller SE & Co.  
KG
- 3088709** DEVICE AND METHOD FOR CONTROLLING INTERNAL COMBUSTION  
ENGINE FOR VEHICLE. NISSAN MOTOR CO., LTD.
- 3089482** HOLDING UNIT FOR A VIBRATION TRANSMITTER AND A VIBRATION  
TRANSMISSION SYSTEM USING IT. Oticon Medical A/S
- 3091006** SULFONYLATION PROCESS USING NONAFLUOROBUTANESULFONYL  
FLUORIDE. Janssen Pharmaceutica NV
- 3091073** POLYPEPTIDES HAVING XYLANASE ACTIVITY AND  
POLYNUCLEOTIDES ENCODING SAME. Novozymes Inc.
- 3091759** SYSTEM AND METHOD FOR LOCATION REPORTING IN AN  
UNTRUSTED NETWORK ENVIRONMENT. Cisco Technology, Inc.
- 3098495** SUPPORTING CLIP AND PIPE ASSEMBLY. Cooper-Standard Automotive  
(Deutschland) GmbH
- 3098850** PROTECTION CIRCUIT AND METHOD FOR PROTECTING A CIRCUIT.  
ams AG
- 3098987** TIME SLOT SYNCHRONIZATION TRAINING METHOD FOR OPTICAL  
BURST TRANSPORT NETWORK NODE, NODE DEVICE AND NETWORK.  
ZTE Corporation
- 3100944** TAIL FIN ASSEMBLY FOR INFLATABLE PRODUCT. Bestway Inflatables &  
Material Corp.
- 3101331** LIGHTING DEVICE. LG Innotek Co., Ltd.
- 3101819** METHOD AND APPARATUS OF TRANSMITTING INFORMATION IN  
WIRELESS COMMUNICATION SYSTEM. LG Electronics, Inc.
- 3101858** REFERENCE SIGNAL CONFIGURATION FOR EXTENSION CARRIERS.
-

Interdigital Patent Holdings, Inc.

- 3106560** ELECTRIC HOUSEHOLD APPLIANCE. Electrolux Home Products Corporation N.V.
- 3108783** SPATULA, ESPECIALLY FOR KITCHEN APPLIANCES. Vorwerk & Co. Interholding GmbH
- 3109173** FILM UNWINDING APPARATUS FOR A WRAPPING MACHINE AND WRAPPING MACHINE. AETNA GROUP S.P.A.
- 3109701** PHOTOSENSITIVE RESIN COMPOSITION, SOLDER RESIST COMPOSITION, AND COVER-PRINTED WIRING BOARD. Goo Chemical Co., Ltd.
- 3109868** PREPARATION METHOD FOR ELECTRONIC COMPONENTS WITH AN ALLOY ELECTRODE LAYER. Thinking Electronic Industrial Co., Ltd.
- 3111805** FOLDING STOOL. Wuxi Housetex Industries Co., Ltd
- 3112336** SINGLE TRIPHENYLENE CHROMOPHORES IN PHOSPHORESCENT LIGHT EMITTING DIODES. Universal Display Corporation
- 3112354** METHOD FOR PRODUCING 1,4-BENZOXAZINE COMPOUND. Mitsubishi Tanabe Pharma Corporation
- 3112727** PISTON RING. Japan Engine Corporation; Mitsubishi Heavy Industries, Ltd.
- 3113272** FRAME BODY, CELL FRAME FOR REDOX FLOW BATTERY, AND REDOX FLOW BATTERY. Sumitomo Electric Industries, Ltd.
- 3115020** HYSTEROPEXY MESH APPARATUSES. Coloplast A/S
- 3115534** SUPPORT MECHANISM FOR A CLOSURE ELEMENT OF A VENTILATION AND LOCKING SYSTEM. Dong, Zhijun
- 3115920** SYSTEM AND METHOD OF CONTROLLING OPENING OF FILES BY VULNERABLE APPLICATIONS. AO Kaspersky Lab
- 3119050** RADIO COMMUNICATION DEVICE AND RADIO COMMUNICATION METHOD. Sun Patent Trust
- 3121904** CLAMP COMPONENT. Wago Verwaltungsgesellschaft mbH
- 3123044** SHEET METAL PRESSURE PLATE AND PRESSURE POT AS JOINT COMPONENT. Schaeffler Technologies AG & Co. KG
- 3123982** EXPANDABLE IMPLANT. Stryker European Holdings I, LLC
- 3125534** A PCMCIA INTERFACE DEVICE FOR A CHIP CARD CAM AND A METHOD FOR ASSEMBLY AND DISASSEMBLY OF SAID INTERFACE DEVICE. SmarDTV S.A.
- 3125554** APPARATUS FOR ENCODING AN INTRA PREDICTION MODE. M&K Holdings Inc.
- 3125557** APPARATUS FOR ENCODING AN INTRA PREDICTION MODE. M&K Holdings Inc.
-

- 3125559** APPARATUS FOR DECODING AN INTRA PREDICTION MODE. M&K Holdings Inc.
- 3125560** APPARATUS FOR DECODING AN INTRA PREDICTION MODE. M&K Holdings Inc.
- 3126617** A DOWNHOLE FISHING TOOL. Bisn Tec Ltd
- 3127416** SCREW DISTRIBUTOR. Fliegl sen., Josef
- 3127429** FILLING MACHINE AND METHOD FOR DISCHARGING PASTE-LIKE MASS, IN PARTICULAR FOR MANUFACTURING SAUSAGES. Albert Handtmann Maschinenfabrik GmbH & Co. KG
- 3127458** ELECTRIC GRILL APPLIANCE. ELECTROLUX PROFESSIONAL S.p.A.
- 3127482** X-RAY SYSTEM AND METHOD FOR OPERATING AN X-RAY SYSTEM. Agfa HealthCare N.V.
- 3127494** BI-DIRECTIONAL REAMER ASSEMBLY. Greatbatch Ltd.
- 3127516** FUNCTIONAL ORTHODONTIC MOVABLE DEVICE. Loreni, Arturo
- 3127614** ROLLER MILL WITH CUTTING CUTTING OPERATING TYPE AND BACK BACK OPERATING TYPE. Ing. Stefan Kastenmüller GmbH
- 3127616** METHOD OF MANUFACTURING A VIBRatable HEAD FOR AN AEROSOL GENERATOR AND VIBRatable HEAD FOR AN AEROSOL GENERATOR. PARI Pharma GmbH
- 3127672** CUTTING INSERT FOR A TOOL. HILTI Aktiengesellschaft
- 3127674** PROCESS AND A PLANT FOR OBTAINING DRY SUPER-ABSORBING POLYMER (SAP) PARTICLES FROM USED SANITARY PRODUCTS. Henderickx, Mathias Wilhelmus Maria
- 3127741** VEHICLE. Toyota Jidosha Kabushiki Kaisha
- 3127744** VEHICLE SEAT SLIDE DEVICE. AISIN SEIKI KABUSHIKI KAISHA
- 3127760** BELT ROLLER FOR A VEHICLE SEATBELT. TRW Automotive GmbH; TRW Polska Sp.z.o.o.
- 3127806** LANDING GEAR INCLUDING A COMPOSITE STRUT TUBE AND METHODS FOR ASSEMBLING THE SAME. Goodrich Corporation
- 3127817** AUXILIARY POWER UNIT WITH ELECTRICALLY DRIVEN COMPRESSOR. Pratt & Whitney Canada Corp.
- 3127823** METHOD FOR FILLING AND WELDING FILM BAGS AND A FILLING AND WELDING DEVICE FOR SAME. INDAG Gesellschaft für Industriebedarf mbH & Co. Betriebs KG
- 3127828** PLUG-IN CONNECTOR ELEMENT AND TRANSPORT BOX HAVING PLUG-IN CONNECTOR ELEMENTS. Hiller Technologie GmbH
- 3127834** CONTAINER FOR CHEMICAL AGENTS WITH REPLACEABLE ELEMENT. Przedsiębiorstwo Produkcyno-Uslugowo-Handlowe "VOIGT"
-

Spolka z ograniczona odpowiedzialnoscia

- 3127839** CURVILINEAR SUPPORT FOR CHAIN CONVEYORS. System Plast S.r.l.
- 3127840** CONVEYOR DEVICE FOR TRANSPORTING AND DOSING OF SUPPLYING PARTS. Anton Kelz e. K.
- 3127842** DEVICE AND METHOD FOR PICKING UP, TRANSPORTING AND DISPENSING OF FILM BAGS. INDAG Gesellschaft für Industriebedarf mbH & Co. Betriebs KG
- 3127847** AN ARRANGEMENT AND A METHOD FOR MEASURING THE POSITION OF AN INSTALLATION PLATFORM IN AN ELEVATOR SHAFT. KONE Corporation
- 3127857** DEVICE FOR ACTUATING A STEERING DEVICE OF AN INDUSTRIAL TRUCK. Jungheinrich Aktiengesellschaft
- 3127858** OSCILLATION DAMPING FOR A MATERIAL HANDLING VEHICLE. The Raymond Corporation
- 3127862** A METHOD OF MANUFACTURING A GATE-ALL-AROUND NANOWIRE DEVICE COMPRISING TWO DIFFERENT NANOWIRES. IMEC VZW
- 3127928** POLYMER COMPOUND, POSITIVE RESIST COMPOSITION, LAMINATE, AND RESIST PATTERNING PROCESS. Shin-Etsu Chemical Co., Ltd.
- 3127933** HEAT-CURABLE EPOXY RESIN COMPOSITION. Shin-Etsu Chemical Co., Ltd.
- 3127937** FLAME RESISTANT POLYAMIDE 12 SUBSTANCES FOR RAIL APPLICATIONS. EMS-PATENT AG
- 3127994** METHOD FOR ARTIFICIAL AGEING OF IRIS RHIZOMES FOR ACCELERATED FORMATION OF IRON ISOMERS. SKH GmbH
- 3128012** PROCESS FOR PEROXYGENASE-CATALYZED CLEAVAGE OF BENZYLOXYCARBONYL PROTECTIVE GROUPS. Sanofi-Aventis Deutschland GmbH
- 3128043** METHOD OF ELECTROPLATING PHOTORESIST DEFINED FEATURES FROM COPPER ELECTROPLATING BATHS CONTAINING REACTION PRODUCTS OF ALPHA AMINO ACIDS AND BISEPOXIDES. Rohm and Haas Electronic Materials LLC; Dow Global Technologies LLC
- 3128044** METHOD OF ELECTROPLATING PHOTORESIST DEFINED FEATURES FROM COPPER ELECTROPLATING BATHS CONTAINING REACTION PRODUCTS OF IMIDAZOLE COMPOUNDS, BISEPOXIDES AND HALOBENZYL COMPOUNDS. Rohm and Haas Electronic Materials LLC; Dow Global Technologies LLC
- 3128075** PREFABRICATED MODULAR JOINING ASSEMBLY FOR AN INDUSTRIAL FLOORING AND METHOD FOR MAKING SAME. Edil Noli
-

S.r.l.

- 3128079** CONSTRUCTION SITE INFORMATION DEVICE. Heimbuchner, Klaus; EBE Solutions GmbH
- 3128106** LECTURE SYSTEM, INFORMATION PROCESSING APPARATUS, AND STORAGE MEDIUM. Toshiba TEC Kabushiki Kaisha
- 3128112** SUPPORT BRACKET FOR A FRAME PROFILE OF A WINDOW OR A DOOR. ISO-Chemie GmbH
- 3128142** EXHAUST GAS CONTROL APPARATUS AND EXHAUST GAS CONTROL METHOD FOR INTERNAL COMBUSTION ENGINE. Toyota Jidosha Kabushiki Kaisha
- 3128158** METHOD TO CONTROL A LOW-PRESSURE EXHAUST GAS RECIRCULATION EGR CIRCUIT IN AN INTERNAL COMBUSTION ENGINE. Magneti Marelli S.p.A.
- 3128159** METHOD TO CONTROL A LOW-PRESSURE EXHAUST GAS RECIRCULATION EGR CIRCUIT IN AN INTERNAL COMBUSTION ENGINE. Magneti Marelli S.p.A.
- 3128167** LEAKAGE DETECTION DEVICE FOR A DOUBLE WALLED FLUID PIPE. AVL Autokut Engineering KFT.
- 3128169** ROTOR BLADE WITH ACTUATOR ARRANGEMENT. Siemens Aktiengesellschaft
- 3128170** WIND POWER FACILITY WITH A YAW DRIVE. Nordex Energy GmbH
- 3128275** CEMENT CLINKER COOLER GRATE. Alite GmbH
- 3128278** FEEDING AND REMOVAL OF PIPE STREAMS WITH INTERIM TEMPERATURE IN COILED HEAT EXCHANGERS. Linde Aktiengesellschaft
- 3128280** DEVICE FOR APPLYING IMPACT FORCES TO A HEATING SURFACE AND METHOD FOR MOUNTING AN ANVIL. Steinmüller Babcock Environment GmbH
- 3128323** METHOD AND SYSTEM FOR DETECTING DEFECTS IN PLASTIC CONTAINERS. ainia
- 3128335** A METHOD FOR DETECTING GROUND FAULTS IN A LVDC ELECTRIC LINE AND AN ELECTRONIC DEVICE THEREOF. ABB S.p.A.
- 3128386** METHOD AND DEVICE FOR TRACKING A MOVING TARGET FROM AN AIR VEHICLE. The Boeing Company
- 3128412** NATURAL HANDWRITING DETECTION ON A TOUCH SURFACE. Lenovo (Singapore) Pte. Ltd.
- 3128480** IMAGE PROCESSING APPARATUS AND CONTROL METHOD THEREFOR. Canon Kabushiki Kaisha
-

- 3128484** METHOD OF ESTIMATING PARAMETER OF THREE-DIMENSIONAL (3D) DISPLAY DEVICE AND 3D DISPLAY DEVICE USING THE METHOD. Samsung Electronics Co., Ltd.
- 3128578** BATTERY ASSEMBLY FOR A HEARING DEVICE. Oticon A/S
- 3128628** SURFACE EMITTING LASER ELEMENT AND ATOMIC OSCILLATOR. Ricoh Company Ltd.
- 3128647** ROTOR FOR ROTATING ELECTRIC MACHINE. ABB Schweiz AG
- 3128673** POKKELS CELLS DRIVER CIRCUIT WITH OHMIC, INDUCTIVE OR CAPACITIVE ELEMENTS. Bergmann Messgeräte Entwicklung KG; Helmholtz-Zentrum Dresden - Rossendorf e.V.
- 3128698** SERVICE PROCESSING METHOD AND APPARATUS AND OPTICAL LINE TERMINAL. ZTE Corporation
- 3128721** METHOD AND SYSTEM FOR PROVIDING VEHICLE DATA OF A MOTOR VEHICLE. AUDI AG
- 3128724** INTERCOM SYSTEM. Panasonic Intellectual Property Management Co., Ltd.
- 3128728** METHOD AND DEVICE FOR DETECTING A BROKEN BINDER. Alcatel Lucent
- 3128742** IMAGE SENSOR WITH NON-LOCAL READOUT CIRCUIT AND OPTOELECTRONIC DEVICE COMPRISING SAID IMAGE SENSOR. Fundació Institut de Ciències Fotòniques
- 3129264** ELECTRO-PNEUMATIC PARKING BRAKE CONTROL DEVICE. KNORR-BREMSE Systeme für Nutzfahrzeuge GmbH
- 3129265** ELECTROPNEUMATIC BRAKE CONTROLLER FOR CONTROLLING A SPRING BRAKE. KNORR-BREMSE Systeme für Nutzfahrzeuge GmbH
- 3130213** MEASURING DEVICE FOR EXAMINING HARVESTED GRAIN IN A COMBINE HARVESTER. Deere & Company
- 3130245** SKI BOOT. Calzaturificio S.C.A.R.P.A. S.p.A.
- 3130256** PILLOW. DG International Holdings Limited
- 3130257** A REST MATTRESS STRUCTURE. Industrias Lecos S.r.l.
- 3130259** TRAY WITH LEVEL INDICATION. Wegmann automotive GmbH & Co. KG
- 3130270** VACUUM CLEANER. LG Electronics Inc.
- 3130322** BATH LIFT DEVICE. Invacare International Sàrl
- 3130414** MELT METALLURGY ASSEMBLY, COMPRISING A MOULD. SMS group GmbH
- 3130422** METHOD FOR MANUFACTURING A BLADED GAS TURBINE ENGINE ROTOR. Honeywell International Inc.
- 3130441** CONNECTOR AND METHOD OF MANUFACTURING A CONNECTOR. TI Automotive (Fuldabrück) GmbH
-

- 3130481** PNEUMATIC TYRE FOR A VEHICLE. Continental Reifen Deutschland GmbH
- 3130485** PNEUMATIC TYRE FOR A VEHICLE. Continental Reifen Deutschland GmbH
- 3130488** AIR MAINTENANCE TIRE ASSEMBLY. The Goodyear Tire & Rubber Company
- 3130495** OPEN ROOF CONSTRUCTION FOR A VEHICLE. Inalfa Roof Systems Group B.V.
- 3130508** SUNROOF-TYPE BICYCLE CARRIER. Aurilis Group Italia S.R.L.
- 3130533** FLIGHT DECK DOOR SURVEILLANCE AND LOCK CONTROL. Rosemount Aerospace Inc.
- 3130536** AIRCRAFT LANDING GEAR PROVIDED WITH A RACK-AND-PINION CONTROL FOR STEERING THE WHEELS. Safran Landing Systems
- 3130645** ADHESION PROMOTER. Hubergroup Inda Private Ltd.
- 3130679** METHOD AND TEST SYSTEM FOR THE DETECTION AND/OR QUANTIFICATION OF A TARGET NUCLEIC ACID IN A SAMPLE. Cladiac GmbH
- 3130695** BALANCE RING ASSEMBLY. Whirlpool Corporation
- 3130706** CROWD CONTROL BARRIER. Safety Solutions Jonsereids AB
- 3130716** WALL CONSTRUCTION PANEL AND WALL BUILDING SYSTEM FOR EXHIBITION STAND CONSTRUCTION. Syma Intercontinental AG
- 3130719** PROFILE SECTIONS PROVIDED WITH REMOVABLE RECIPROCAL CONNECTION MEANS. Etablissement Leroux SA
- 3130724** FLOOR PROFILE ASSEMBLY AND BASE PROFILE. Küberit Profile Systems GmbH & Co. KG
- 3130725** HAMMER ASSEMBLY FOR PARQUET OR PANEL LAYING. Wolfcraft GmbH
- 3130743** PIT LADDER WITH SAFETY DEVICE. Kone Corporation
- 3130750** GAS TURBINE COOLING SYSTEM. Ansaldo Energia Switzerland AG
- 3130757** BLADED GAS TURBINE ROTOR. MTU Aero Engines AG
- 3130765** DE-ICING SPLITTER FOR AN AXIAL TURBINE ENGINE COMPRESSOR. Safran Aero Boosters SA
- 3130769** APPARATUS AND METHOD FOR WATER AND ICE FLOW MANAGEMENT IN A GAS TURBINE ENGINE. United Technologies Corporation
- 3130776** COOLING SYSTEM FOR AN ENGINE DISPOSED WITHIN AN ENGINE ROOM. Caterpillar Energy Solutions GmbH
- 3130800** WIND TURBINE ROTOR BLADE WITH A SPARK GAP. Nordex Energy GmbH
- 3130846** WATERPROOF LED LIGHT. Pfleghart, Ferdinand
-



- 
- 3130849** Circulating fluidized bed furnace. Doosan Lentjes GmbH
- 3130864** INDOOR UNIT OF AIR CONDITIONER. LG ELECTRONICS INC.
- 3130870** REFRIGERATING/AIR-CONDITIONING DEVICE. MITSUBISHI HEAVY INDUSTRIES THERMAL SYSTEMS, LTD.
- 3130882** METHOD AND DEVICE FOR CONTROLLING THE POWER TYPE AND POWER EMISSION OF A WARHEAD. TDW Gesellschaft für verteidigungstechnische Wirksysteme mbH
- 3130891** METHOD FOR UPDATING A SERVER DATABASE CONTAINING PRECISION ROAD INFORMATION. Continental Automotive GmbH
- 3130896** LIQUID LEVEL SENSOR WITH INSULATING REGION OVER THE PROBE FOOT. AIRBUS HELICOPTERS DEUTSCHLAND GmbH
- 3130937** TRANSMITTER AND POSITION INFORMATION MANAGEMENT SYSTEM. Ricoh Company, Ltd.
- 3130941** LIGHT SENSOR. SICK AG
- 3130945** SYSTEM AND METHOD FOR PRECISION VEHICLE POSITIONING. Continental Automotive GmbH
- 3130966** MECHANICAL CLOCKWORK PROVIDED WITH A MOTION FEEDBACK SYSTEM. ETA SA Manufacture Horlogère Suisse
- 3130972** IMPROVED ROLLING MACHINE FOR FORMING THREADED PORTIONS ON CYLINDRICAL BODIES AND FEEDBACKED FORMING PROCESS. Mico S.r.l.
- 3131020** SYSTEM AND METHOD OF A TWO-STEP OBJECT DATA PROCESSING BY A VEHICLE AND A SERVER DATABASE FOR GENERATING, UPDATING AND DELIVERING A PRECISION ROAD PROPERTY DATABASE. Continental Automotive GmbH
- 3131064** SEARCHING IMAGE CONTENT. Nokia Technologies Oy
- 3131077** OPTICAL SMOKE DETECTION UNIT FOR A SMOKE DETECTOR WITH TWO OPTICALLY COUPLED LIGHT EMITTING DIODES AND WITH A CONNECTED CONTROL UNIT FOR DERIVING AGING INFORMATION AND SMOKE DETECTOR. Siemens Schweiz AG
- 3131098** ENCLOSED SURGE VOLTAGE PROTECTOR. Siemens Aktiengesellschaft
- 3131105** ELECTROMAGNETIC INDUCTION DEVICE HAVING A FOIL WINDING. ABB Schweiz AG
- 3131109** GAPLESS KEY. Ableton AG
- 3131121** METHOD FOR MAKING A GRAPHENE-BASED FIELD-EFFECT APPARATUS. Provenance Asset Group LLC
- 3131139** PLANT FOR MAKING PLATES FOR ELECTRIC STORAGE BATTERIES AND RELATIVE PROCESS FOR MAKING SAID PLATES. SOVEMA
-

GROUP S.p.A.

- 3131189** ROTOR OF AN ELECTRIC MACHINE. Siemens Aktiengesellschaft
- 3131210** SYSTEM AND METHOD FOR CHARGING PORTABLE ELECTRONIC DEVICES WITHIN A VEHICLE. Jaguar Land Rover Limited
- 3131220** METHOD AND PROCEDURES FOR AGGREGATION OF PHYSICAL LINKS BETWEEN A TRANSMITTING STATION AND A RECEIVING STATION. SIAE Microelettronica S.p.A.
- 3131223** IMPROVED BLIND DECODING OF (E)PDCCH FOR PARTIAL SUBFRAMES. Panasonic Intellectual Property Corporation of America
- 3131229** METHOD FOR GENERATING A GROUP SECRET KEY BASED ON THE PHYSICAL RADIO LAYER AND ASSOCIATED WIRELESS TERMINAL. Commissariat à l'énergie atomique et aux énergies alternatives
- 3131232** SYSTEM AND METHOD FOR TRANSMITTING POWER OVER DATA LINES. Airbus Operations GmbH
- 3131271** GREEN POWER FOR DENSE LARGE NETWORKS (PROXY TABLE SCALING). Philips Lighting Holding B.V.
- 3131316** METHOD OF MANAGING GEO-FENCE AND ELECTRONIC DEVICE THEREOF. Samsung Electronics Co., Ltd.
- 3131335** HANDOVER. Alcatel Lucent
- 3131338** CONTENT RECEIVING APPARATUS. Funai Electric Co., Ltd.
- 3132459** EMBEDDED POLE PART FOR MEDIUM OR HIGH VOLTAGE USE, WITH A VACUUM INTERRUPTER WHICH IS EMBEDDED INTO AN INSULATING RESIN. ABB Schweiz AG
- 3132669** DEVICE AND METHOD FOR SEPARATING PLANT PRODUCTS OF ADMIXTURES. Dezeure NV
- 3132677** TRELIS POST FOR VINE OR FRUIT CULTIVATION. Voestalpine Krems GmbH
- 3132688** BASE COMPONENT AND GLOSS COMPONENT FOR AQUEOUS EGG DYEING COMPOSITION. Brauns-Heitmann GmbH & Co. KG
- 3132694** SELECTION MACHINE FOR SEPARATING FRUITS FROM FOREIGN BODIES ATTACHED TO THE FRUITS. C.M.A. S.N.C. di Minnicucci Tommaso Giuseppe & C.
- 3132702** PROTECTING HELMET WITH RAISING/LOWERING MECHANISM OF THE VISOR. Nolangroup S.p.A.
- 3132707** HAIR STYLING UTENSIL. invisibobble GmbH
- 3132708** CONTAINER FOR COSMETIC PRODUCT, PROVIDED WITH TELESCOPIC MOVEMENT MEANS. Albéa Services
- 3132716** DEVICE FOR MOVING A MOVABLE PIECE OF FURNITURE AND PIECE
-

- OF FURNITURE. Grass GmbH
- 3132731** SUCTION UNIT. LG ELECTRONICS INC.
- 3132761** DUAL HEAD PEDICURE APPARATUS. E. Mishan & Sons Inc
- 3132854** CENTRIFUGE ROTOR. Andreas Hettich GmbH & Co. KG
- 3132855** ROTOR OF A CENTRIFUGE. Andreas Hettich GmbH & Co. KG
- 3132866** APPARATUS FOR FORMING AUTOMATIVE WHEEL RIM BLANKS. MW Lublin SP. z o.o.
- 3132868** TOOL FOR ELECTROMAGNETIC FORMING OF CONTAINERS WITH RELIEF PROTRUSION. Moravia Cans a.s.
- 3132886** A TUBE ROTATOR DEVICE AND A SYSTEM FOR ROTATING TUBES. Welner Oy
- 3132889** MACHINE TOOL FOR THE PRECISE MACHINING OF WORKPIECES. Starrag GmbH
- 3132895** SAND BLASTING SYSTEM WITH AN OSCILLATING IMPELLER WHEEL. STP Strahltechnik Pliezhausen GmbH & Co. KG
- 3132935** ROTARY SCREEN PRINTING PRESS. Komori Corporation
- 3132960** VEHICLE. Toyota Jidosha Kabushiki Kaisha
- 3132962** TANK CAP WITH UNLOCKING DEVICE BASED ON SHAPE MEMORY MATERIAL. SMR Patents S.à.r.l.
- 3132980** VEHICLE FRAME STRUCTURE. Toyota Jidosha Kabushiki Kaisha
- 3132983** VEHICLE POP-UP HOOD DEVICE. Toyota Jidosha Kabushiki Kaisha
- 3133008** HANDLE WEIGHT MOUNTING STRUCTURE OF STRADDLE-TYPE VEHICLE. Honda Motor Co., Ltd.
- 3133013** FLIGHT DECK DOOR ASSEMBLY. Airbus Operations GmbH
- 3133015** LOAD HOOK SUBSTRUCTURE. Marengo Swisshelicopter AG
- 3133017** MONITORING COMPONENT ASYMMETRY. Goodrich Actuation Systems Limited
- 3133038** ROPELESS ELEVATOR SYSTEM GUIDE RAIL ASSEMBLY. Otis Elevator Company
- 3133054** METHOD FOR THE PREPARATION OF SYMMETRICAL PINCER LIGANDS FROM THE GROUP OF M TERPHENYL COMPOUNDS. Evonik Degussa GmbH
- 3133100** FLAME-RESISTANT POLYMER POLYOL DISPERSION. PCC Rokita SA
- 3133106** ADDITION CURABLE ORGANOPOLYSILOXANE COMPOSITION, AND SEMICONDUCTOR PACKAGE. Shin-Etsu Chemical Co., Ltd.
- 3133178** OPTIMIZED NICKEL BASED SUPERALLOY. MTU Aero Engines AG
- 3133210** A MODULAR BARRIER FOR CONTAINING LANDSLIDE MASSES. Geo-Tech Barriere di de Vito Silvana
-

- 3133259** EMISSION CONTROL SYSTEM AND EMISSION CONTROL METHOD FOR AN INTERNAL COMBUSTION ENGINE. Toyota Jidosha Kabushiki Kaisha
- 3133260** LOADED TURBOCHARGER TURBINE WASTEGATE CONTROL LINKAGE JOINTS. Honeywell International Inc.
- 3133305** CAGE NUT. NEDSCHROEF PLETTENBERG GmbH
- 3133325** CONTROL VALVE. TGK CO., Ltd.
- 3133361** DISTILLATION COLUMN SYSTEM AND SYSTEM FOR THE PRODUCTION OF OXYGEN BY CRYOGENIC DECOMPOSITION OF AIR. Linde Aktiengesellschaft
- 3133369** METHODS FOR MEASURING A HEIGHT MAP OF MULTIPLE FIELDS OF VIEW AND COMBINING THEM TO A COMPOSITE HEIGHT MAP WITH MINIMIZED SENSITIVITY TO INSTRUMENT DRIFT. Mitutoyo Corporation
- 3133382** CLIMATE VEHICLE WITH WIND TUNNEL AND METHOD FOR DYNAMIC TESTS ON VEHICLE COMPONENTS. IAV GMBH
- 3133389** METHOD AND DEVICE FOR ANALYZING THE COMPOSITION OF A GRAIN-MOG MIXTURE. CNH Industrial Belgium nv
- 3133391** CIRCUIT AND METHOD FOR CONTROLLING A SINGLE-CELL LINEAR OXYGEN SENSOR. Magneti Marelli S.p.A.
- 3133392** METHOD FOR ESTIMATING A RETENTION TIME IN A CHROMATOGRAPHY COLUMN. Commissariat à l'énergie atomique et aux énergies alternatives
- 3133393** METHOD FOR ESTIMATING AN AMOUNT OF PARTICLES DISTRIBUTED INTO CLASSES, FROM A CHROMATOGRAM. Commissariat à l'énergie atomique et aux énergies alternatives
- 3133454** METHOD AND APPARATUS FOR CONTROLLING A VEHICLE HAVING AUTOMATED DRIVING CONTROL CAPABILITIES. Hitachi, Ltd.
- 3133575** VEHICLE SIMULATOR WITH A MOVING SYSTEM WITH TENSIONED ROPES. FERRARI S.p.A.
- 3133603** CODE GENERATING APPARATUS AND ONE TIME PROGRAMMING BLOCK. eMemory Technology Inc.
- 3133609** CODE GENERATING APPARATUS AND ONE TIME PROGRAMMING BLOCK. eMemory Technology Inc.
- 3133626** ELECTRICAL CIRCUIT BREAKER. Schneider Electric Industries SAS
- 3133627** MULTI-POLE SWITCH ASSEMBLY WITH ADJUSTABLE SIMULTANEITY. Honeywell International Inc.
- 3133674** BATTERY TERMINAL WITH INTERNAL ANTI-TWIST PROTECTION. WEGMANN automotive GmbH & Co. KG
-

- 
- 3133675** SECONDARY BATTERY. Samsung SDI Co., Ltd.
- 3133677** NICKEL HYDROGEN BATTERY. Toyota Jidosha Kabushiki Kaisha
- 3133681** FUEL CELL WITH BUILT-IN WATER MANAGEMENT LAYER AND METHOD FOR MANUFACTURING SAME. Commissariat à l'Energie Atomique et aux Energies Alternatives
- 3133698** TERMINAL BLOCK MARKER. Panduit Corp.
- 3133724** LINEAR MOTOR. Sanyo Denki Co., Ltd.
- 3133902** SINGLE-STAGE POWER FACTOR CORRECTED LED DRIVER CIRCUIT. Honeywell International Inc.
- 3133904** TRANSMITTING LOGICAL DALI SIGNALS WIRELESSLY. Philips Lighting Holding B.V.
- 3135170** DUST FILTER BAG. Miele & Cie. KG; BRANOFILTER GMBH
- 3135178** DISHWASHER AND METHOD FOR OPERATING SUCH A DISHWASHER. WINTERHALTER GASTRONOM GMBH
- 3135263** BED WITH A STOWABLE SIDERAIL. Hill-Rom Services, Inc.
- 3135328** SYRINGE PUMP. TERUMO KABUSHIKI KAISHA
- 3135350** BRAKING DEVICE FOR SNOWBOARD BINDING. Salomon S.A.S.
- 3135351** FRONT JAW FOR A SAFETY SKI-BINDING. Tyrolia Technology GmbH
- 3135383** SINGLE PUSHBUTTON DEVICE FOR SWITCHING TO OUTPUT WATER WITH MULTIPLE SPRAY PATTERNS. Xiamen Runner Industrial Corporation
- 3135391** A METHOD OF CLEANING THE BOTTOM INTERSTITIAL SPACE AND/OR WALL INTERSTITIAL SPACE OF A STORAGE TANK. Cortec Sp.z o.o.
- 3135393** ECCENTRIC DRIVE MECHANISM FOR A FOLDING MACHINE. CIDAN Machinery Sweden AB
- 3135430** DEVICE FOR EDGING AN OPTICAL LENS AND PROCESS FOR PRODUCING OPTICAL LENSES. Satisloh AG
- 3135495** PRINTED SECURITY ELEMENT. Giesecke+Devrient Currency Technology GmbH
- 3135521** BATTERY SYSTEM AND A CONTROL METHOD THEREFOR. TOYOTA JIDOSHA KABUSHIKI KAISHA
- 3135531** VEHICLE SEAT. Toyota Jidosha Kabushiki Kaisha
- 3135558** COVER FOR PROTECTING THE LOWER PORTION OF THE STEERING COLUMN OF A VEHICLE. PSA Automobiles SA
- 3135623** GRIPPING AND LIFTING DEVICE. Probst GmbH
- 3135654** METHOD FOR PRODUCING BUILDING MATERIAL. Nichiha Corporation
- 3135708** POLYAMIDE COMPOSITIONS. LANXESS Deutschland GmbH
- 3135739** COMPOSITION, ELECTRONIC DEVICE, AND THIN FILM TRANSISTOR.
-

Samsung Electronics Co., Ltd.

- 3135749** PROCESS FOR CONVERSION OF VACUUM RESID TO MIDDLE DISTILLATES. INDIAN OIL CORPORATION Ltd.
- 3135803** PROCESS AIR ARRANGEMENT FOR A DRYING DEVICE AND DRYING DEVICE. BSH Hausgeräte GmbH
- 3135805** LAUNDRY DRYER. BSH Hausgeräte GmbH
- 3135858** REVERSE FLOW SLEEVE ACTUATION METHOD. Geodynamics, Inc.
- 3135908** FLUID ENERGY MACHINE WITH ELECTROMAGNETICALLY COUPLED PISTONS. Hagenbucher, Stephan
- 3135911** PUMP HEALTH MONITORING. Airbus Operations Limited
- 3135944** DRIVING FORCE TRANSMISSION DEVICE. JTEKT CORPORATION
- 3135967** HEAT EXCHANGING VALVE ARRANGEMENT. Hamilton Sundstrand Corporation
- 3135970** SANITARY SWITCHING DEVICE AND BATHROOM FITTING. Hansgrohe SE
- 3136180** DEVELOPING DEVICE. Canon Kabushiki Kaisha
- 3136398** TERNARY CONTENT ADDRESSABLE MEMORY (TCAM) WITH PROGRAMMABLE RESISTIVE ELEMENTS. NXP USA, Inc.
- 3136400** NEUTRON CAPTURE THERAPY SYSTEM. SUMITOMO HEAVY INDUSTRIES, LTD.; KYOTO UNIVERSITY
- 3136486** DIAGNOSTIC DEVICE. TOYOTA JIDOSHA KABUSHIKI KAISHA
- 3136543** A MULTIPLE COIL STRUCTURE FOR SUPPORTING MULTIPLE TYPES OF WIRELESS CHARGING AND NEAR FIELD COMMUNICATIONS. Motorola Mobility LLC
- 3136570** ASSEMBLY COMPRISING A CONNECTING DEVICE AND A SEALING DEVICE.. Valeo Systèmes de Contrôle Moteur
- 3136603** FREQUENCY SYNTHESIZERS WITH AMPLITUDE CONTROL. NXP B.V.
- 3136614** NEAR-FIELD ANTENNA SYSTEM. NXP B.V.
- 3136680** LIGHTWEIGHT CYBER SECURE BI-DIRECTIONAL AIRCRAFT COMMUNICATIONS ADDRESSING AND REPORTING SYSTEM (ACARS) TRANSMISSION. The Boeing Company
- 3136762** METHODS AND APPARATUSES FOR PROVIDING AN APPLICATION IDENTIFIER FOR A REQUESTED CONNECTION. NEC Corporation
- 3138448** WICKER PRESENTER. dekorit Korbwaren GmbH
- 3138451** CONVERTIBLE COOKING UTENSIL. Kenwood Limited
- 3138523** ENERGIZABLE SURGICAL ATTACHMENT FOR A MECHANICAL CLAMP. Covidien LP
- 3138609** RESTRAINT AND EXTRACTION HARNESS WITH ASSOCIATED
-

- RELEASE MECHANISM. Carleton Life Support Systems Inc.
- 3138641** POROUS METAL BODY MANUFACTURING METHOD. Fuji Filter Manufacturing Co., Ltd.
- 3138651** STICK WELDING ELECTRODE HOLDER SYSTEM. Illinois Tool Works Inc.
- 3138794** CONVEYING DEVICE WITH 3-WAY POINTS. ROBERT BOSCH GMBH
- 3138920** DISPOSABLE CARTRIDGE FOR ELECTROPORATION. Miltenyi Biotec GmbH
- 3138945** DEVICE FORMING A WEB-LAYING DEVICE WITH A BELT. Andritz Asselin-Thibeau
- 3139007** DEVICE FOR LIMITING A FLOW CHANNEL OF A TURBOMACHINE. MTU Aero Engines AG
- 3139042** A MECHANICAL COUPLING GROUP. Annovi Reverberi S.p.A.
- 3139086** LIGHTING DEVICE WITH A WIRELESS COMMUNICATION ANTENNA. Philips Lighting Holding B.V.
- 3139121** ROTATING DRUM OVEN. Schmidt, Michael
- 3139215** IMAGE FORMING SYSTEM. Konica Minolta, Inc.
- 3139347** METHOD FOR DETERMINING AN ALIGNMENT OF AN OBJECT. Diehl Defence GmbH & Co. KG
- 3139395** ELECTROMAGNETICALLY ASSISTED ARC QUENCH WITH PIVOTING PERMANENT MAGNET. CARLING TECHNOLOGIES, Inc.
- 3139396** CONTACT SWITCHING DEVICE. OMRON CORPORATION
- 3139535** INFORMATION PROCESSING APPARATUS, COMMUNICATION METHOD, AND COMMUNICATION SYSTEM. Ricoh Company, Ltd.
- 3139575** ADDRESSING METHOD FOR BUILDING TECHNOLOGY BUS PARTICIPANTS. Tridonic GmbH & Co KG
- 3139580** ESTABLISHMENT OF A WIRELESS COMMUNICATION LINK BETWEEN A MOBILE TERMINAL AND A VEHICLE. Volkswagen Aktiengesellschaft
- 3139710** MANAGEMENT OF POWER-OVER-ETHERNET INSTALLATION. Philips Lighting Holding B.V.
- 3139797** AUTOMATIC MACHINE FOR PREPARING COFFEE. Procaffe' S.p.A.; Laner, Gerhard
- 3141109** PET GROOMING TOOL. Spectrum Brands, Inc.
- 3141164** BEVERAGE PREPARATION DEVICE, SYSTEM AND METHOD OF OPERATION. Eugster/Frismag AG
- 3141407** SUSPENSION FOR A STEERABLE WHEEL OF A MOTOR-VEHICLE, WITH A SEMI-VIRTUAL STEERING AXIS. FCA Italy S.p.A.
- 3141435** VEHICLE BODY FRAMEWORK STRUCTURE. Toyota Jidosha Kabushiki Kaisha
-

- 3141456** STEERING SYSTEM. JTEKT CORPORATION
- 3141462** VEHICLE STRUCTURE COMPRISING A FLOOR REINFORCEMENT WITH A HEEL AND VEHICLE COMPRISING SUCH A STRUCTURE. PSA Automobiles SA
- 3141469** STEERING STRUCTURE FOR SADDLE RIDING TYPE VEHICLE. Honda Motor Co., Ltd.
- 3141677** HANDLE FOR DRIVING A CONNECTING ROD LINER. Aug. Winkhaus GmbH & Co. KG
- 3141713** CONNECTION PIPE FOR CONNECTING AN ACTIVE SILENCER TO AN EXHAUST SYSTEM FOR A COMBUSTION ENGINE. Eberspächer Exhaust Technology GmbH & Co. KG
- 3141952** SCREEN PROVIDED WITH RETROREFLECTIVE MICROSTRUCTURES. COMMISSARIAT À L'ÉNERGIE ATOMIQUE ET AUX ÉNERGIES ALTERNATIVES
- 3141994** MOBILE TERMINAL AND METHOD FOR CONTROLLING THE SAME. LG ELECTRONICS INC.
- 3143863** PROTECTION DEVICE OF A HEADER OF A HARVESTER AND HARVESTER WITH SUCH A PROTECTION DEVICE. CLAAS Saugau GmbH
- 3143905** SLATTED GRID HARDNESS DEVICE OF A BED. RÖSSLE & WANNER GMBH
- 3143906** SLAT RETENTION OF A SLATTED BED BASE. RÖSSLE & WANNER GMBH
- 3144170** CHASSIS FOR AN UTILITY VEHICLE WITH SIDE TANK. MAN Truck & Bus Österreich GesmbH
- 3144180** VENTILATION DEVICE AND SEAT WITH SUCH A VENTILATION DEVICE, IN PARTICULAR FOR A VEHICLE. Denso Automotive Deutschland GmbH
- 3144444** HEIGHT-REGULATING MECHANISM OF AN ELBOW OF A FOLDED ARM OF AN AWNING. GAVIOTA SIMBAC, S.L.
- 3144484** A LEVERED JOINT. Rolls-Royce plc
- 3144544** HINGE ASSEMBLY FOR POSITIONING ELEMENTS. RK Rose + Krieger GmbH Verbindungs- und Positioniersysteme
- 3144555** METHOD FOR VENTILATING BRAKE DISCS OF AN AIRCRAFT WHEEL. Safran Landing Systems
- 3144637** METHOD AND SYSTEM FOR IMPROVING SITUATIONAL AWARENESS OF UNANTICIPATED YAW ON A ROTORCRAFT SYSTEM. Honeywell International Inc.
-



- 
- 3145013** FUELL CELL SYSTEM. AISIN SEIKI KABUSHIKI KAISHA
- 3147089** METHOD FOR AUTOMATICALLY SETTING A GAP DIMENSION, RELATED CONTROL SYSTEM AND PUNCHING DEVICE. WINK Stanzwerkzeuge GmbH & Co. KG
- 3147090** CUTTING MACHINE FOR FOOD. Bizerba SE & Co. KG
- 3147101** PROCESS FOR FORMING ONE OR MORE AIR INTAKE HOLES IN A LAMINATED, BLOW-MOLDED CONTAINER. Yoshino Kogyosho Co., Ltd.
- 3147123** INKJET PRINTING MACHINE AND INK CARTRIDGE. Riso Kagaku Corporation
- 3147189** SADDLE TYPE VEHICLE. Honda Motor Co., Ltd.
- 3147991** ELECTROLYTE FOR LITHIUM AIR BATTERY AND LITHIUM AIR BATTERY INCLUDING THE SAME. Samsung Electronics Co., Ltd.
- 3148093** HYBRID I/Q AND POLAR TRANSMITTER. Intel IP Corporation
- 3148767** ACTUATOR COOLING APPARATUS AND METHOD. Synventive Molding Solutions, Inc.
- 3149057** PROCESS FOR PREPARING POLYALKENAMERS FOR PACKAGING APPLICATIONS. Evonik Degussa GmbH
- 3149108** PC-LED MODULE WITH ENHANCED WHITE RENDERING AND CONVERSION EFFICIENCY. Philips Lighting Holding B.V.
- 3150060** CHAFF CHOPPER FOR A COMBINE HARVESTER WITH COUNTER-BLADES AND RUB BAR. Deere & Company
- 3150416** ASSEMBLY FOR FRONT END OF VEHICLE AND VEHICLE PROVIDED WITH SUCH AN ASSEMBLY. PSA Automobiles SA
- 3150533** RING COIL BODY. Wollnitzke, Helmut
- 3150676** WATER-BASED INK FOR INK-JET RECORDING, INK CARTRIDGE, AND INK-JET RECORDING METHOD. Brother Kogyo Kabushiki Kaisha
- 3150677** WATER-BASED INK FOR INK-JET RECORDING AND INK CARTRIDGE. Brother Kogyo Kabushiki Kaisha
- 3150678** WATER-BASED INK FOR INK-JET RECORDING AND INK CARTRIDGE. Brother Kogyo Kabushiki Kaisha
- 3150818** NH<sub>3</sub> EMISSIONS MANAGEMENT IN A NO<sub>X</sub> REDUCTION SYSTEM. Cummins Emission Solutions, Inc.
- 3151108** SERVER STORING AUTHENTICATION INFORMATION IN ASSOCIATION WITH DEVICE INFORMATION IN STORAGE. Brother Kogyo Kabushiki Kaisha
- 3151507** METHODS AND APPARATUSES FOR CONTROLLING DEVICE. Xiaomi Inc.
- 3152785** METHOD FOR DETECTING AND CONVERTING INFRARED
-

ELECTROMAGNETIC RADIATION. Technische Universität Dresden

- 3153149** TABLET SPLITTING APPARATUS. Tosho, Inc.
- 3153341** IN-WHEEL MOTOR WITH BRAKE. e-Traction Europe B.V.
- 3153431** DOUBE-WALLED-CONTAINER. Dart Container Corporation
- 3153694** METHOD FOR OPERATING A COMBUSTION ENGINE AND DEVICE FOR EXECUTING THE METHOD. ROBERT BOSCH GMBH
- 3154261** SYSTEM AND METHOD FOR ONLINE PROJECTOR-CAMERA CALIBRATION FROM ONE OR MORE IMAGES. Christie Digital Systems USA, Inc.
- 3154307** METHOD AND DEVICE FOR RADIO NETWORK TEMPORARY IDENTIFIER ALLOCATION IN DUAL CONNECTIVITY. HTC Corporation
- 3155226** STEAM TURBINE AND METHOD FOR OPERATING A STEAM TURBINE. Siemens Aktiengesellschaft
- 3156095** A CATHETER HOLE HAVING A FLOW BREAKING FEATURE. Becton, Dickinson and Company
- 3157038** DIRECT CURRENT RELAY. LSIS Co., Ltd.
- 3159027** NEEDLE CHANGING APPARATUS. Becton, Dickinson and Company
- 3159530** NOZZLE ASSEMBLY FOR A FUEL INJECTION VALVE FOR INJECTING A GASEOUS AND/OR LIQUID FUEL, FUEL INJECTION VALVE. ROBERT BOSCH GMBH
- 3159531** NOZZLE ASSEMBLY FOR A FUEL INJECTION VALVE FOR INJECTING A GASEOUS AND/OR LIQUID FUEL, FUEL INJECTION VALVE. ROBERT BOSCH GMBH
- 3160217** TERMINAL. ZTE Corporation
- 3162515** EXOSKELETON. Poli, Luca Simone
- 3163492** DYNAMIC PRE-BOOT STORAGE ENCRYPTION KEY. NCR Corporation
- 3163591** METHOD AND APPARATUS FOR PRODUCING PERMANENT MAGNETS. WILO SE
- 3164535** VOLUME NONWOVEN FABRIC. Carl Freudenberg KG
- 3165296** BILLET DESCALING APPARATUS. Park, Gilmi
- 3165351** TIRE CONSTRUCTION DEVICE AND METHOD FOR PRODUCING A TIRE BLANK. Continental Reifen Deutschland GmbH
- 3165585** PROCESS OF UPGRADATION OF RESIDUAL OIL FEEDSTOCK. INDIAN OIL CORPORATION Ltd.
- 3166323** METHOD, SYSTEM AND COMPUTER PROGRAM PRODUCT FOR PROVIDING A DESCRIPTION OF A PROGRAM TO A USER EQUIPMENT. TV Control Ltd
- 3166433** BICYCLE HELMET. ABUS August Bremicker Söhne KG
-

- 
- 3167866** LIQUID DRUG TRANSFER DEVICES. Medimop Medical Projects Ltd
- 3169139** WOVEN SMART SUSCEPTOR HEAT BLANKETS. The Boeing Company
- 3169190** APPLICATOR FOR A FLUID DISPENSER. Colgate-Palmolive Company
- 3170125** OCCUPANCY DETECTION. Koninklijke Philips N.V.
- 3170320** MOTOR VEHICLE AUDIO SYSTEM. Bose Corporation
- 3170867** SOFT PET-G RESIN COMPOSITION WITH IMPROVED PROPERTIES.  
Youngil Co. Ltd.
- 3171024** HAND AIR PUMP INTEGRATING A LARGE PUMP AND A SMALL PUMP.  
Dongguan Tiger Point, Metal & Plastic Products Co., Ltd.
- 3171748** METHOD OF AUTOMATIC DISHWASHING. Reckitt Benckiser (Brands)  
Limited
- 3172806** TILTABLE UNDERGROUND PROTECTIVE CABINET FOR ELECTRICAL  
EQUIPMENT WITH COUNTERWEIGHT TILTING MECHANISME. Jet-Vill  
Korlátolt Felelősségű Társaság
- 3173003** ROBOT CLEANER. Jiangsu Midea Cleaning Appliances Co., Ltd.
- 3174430** ORAL CARE IMPLEMENT. Colgate-Palmolive Company
- 3175208** PRESSURE MEASURING ARRANGEMENT AND METHOD FOR  
PRODUCING SAID PRESSURE MEASURING ARRANGMENT. VEGA  
Grieshaber KG
- 3175288** LOW-PROFILE LENS MOUNT. Houdinix LLC
- 3176601** ILLUMINATION LIGHT PROJECTION FOR A DEPTH CAMERA. Microsoft  
Technology Licensing, LLC
- 3177156** SWEETENER COMPOSITIONS. Givaudan S.A.
- 3177227** BRAIN SHIFT COMPENSATION FOR CATHETER TRAJECTORY  
PLANNING. Brainlab AG
- 3177241** OSTOMY APPLIANCE. Salts Healthcare Limited
- 3177353** AIRWAY ADAPTERS AND SUCTION CATHETER SYSTEMS. Vyair  
Medical Consumables LLC
- 3177407** PACKAGING FOR A PRODUCT TO BE DISPENSED. Louis Vuitton Malletier
- 3177417** LOADING BLANKS TO A STAMPING PRESS LINE. ABB Schweiz AG
- 3177455** METHOD FOR REDUCING OR PREVENTING THE DEGRADATION OF  
AN ANTIFOULING LAYER OF AN OPTICAL ARTICLE. Essilor  
International
- 3177471** RANGE EXTENDER. Pierburg GmbH
- 3177535** PACKAGING UNIT AND METHOD FOR PRODUCING A PACKAGING  
UNIT. KHS GmbH
- 3177539** UNIT AND METHOD FOR FILLING CONTAINERS OF SINGLE-USE  
CAPSULES FOR EXTRACTION OR INFUSION BEVERAGES. Gima S.p.A.
-

- 3177572** APPARATUS FOR PREPARING AND DISPENSING A FLOCCULANT SOLUTION TO DEWATERING AN AQUEOUS PROCESS STREAM. Ecolab USA Inc.
- 3177577** GLASS FIBER SIZING COMPOSITIONS, SIZED GLASS FIBERS, AND POLYOLEFIN COMPOSITES. PPG Industries Ohio, Inc.
- 3177589** METHOD FOR THE SYNTHESIS OF MIRABEGRON AND ITS DERIVATIVES. Interquim, S.A.
- 3177652** PROCESS FOR ETHYLENE POLYMERIZATION WITH IMPROVED ETHYLENE FEED SYSTEM. Basell Polyolefine GmbH
- 3177708** FLUID CIRCULATION SYSTEMS INCORPORATING FLUID LEVELING DEVICES. The Charles Stark Draper Laboratory, Inc.
- 3177723** APTAMERS FOR USE AGAINST AUTOANTIBODY-ASSOCIATED DISEASES. Berlin Cures Holding AG
- 3177731** METHOD FOR OBTAINING CRYSTALLINE L-ALANINE. BASF SE
- 3177743** BURNER-LANCE UNIT. Primetals Technologies Austria GmbH
- 3177776** GROUND ANCHOR. Société Industrielle de Produits Mécaniques Ancr'est
- 3177829** APPARATUS AND METHOD FOR SOLAR AND WIND BASED POWER GENERATION. Zephyr Energy Systems LLC
- 3177845** BRAKING BAND WITH GROOVES FOR A DISC BRAKE. Freni Brembo S.p.A.
- 3177854** CLUTCH ARRANGEMENT HAVING A SENSOR UNIT AND DRIVE ARRANGEMENT HAVING SUCH A CLUTCH ARRANGEMENT. GKN Automotive Limited
- 3177925** NOVEL CLUSTER FOR THE DETECTION OF AN ANALYTE. Helmholtz Zentrum München - Deutsches Forschungszentrum für Gesundheit und Umwelt (GmbH)
- 3178004** RECOVERING USABILITY OF CLOUD BASED SERVICE FROM SYSTEM FAILURE. Microsoft Technology Licensing, LLC
- 3178088** METHODS OF PREPARING HIGH PURITY SN-117M COMPOSITIONS. SnIP Holdings, Inc.
- 3178141** ADAPTER FOR CONTACTING A CIRCUIT BREAKER TO A BUSBAR SYSTEM. Rittal GmbH & Co. KG
- 3178168** FRONT END ARCHITECTURE FOR INTERMITTENT EMISSIONS AND/OR COEXISTENCE SPECIFICATIONS. Skyworks Solutions, Inc.
- 3179455** BANKNOTE CASSETTE AND BANKNOTE SIZE ADJUSTMENT DEVICE THEREOF. GRG Banking Equipment Co., Ltd.
- 3179860** PICKLE MACHINE WITH DETECTION DEVICE. Günther Maschinenbau GmbH
-

- 
- 3179867** SWEETENER COMPOSITION. Pintori, Antonio
- 3179885** HEIGHT ADJUSTABLE DESK SYSTEM AND METHOD. Ergotron, Inc.
- 3179887** SYSTEM FOR PRESENTING NON-PACKAGED ARTICLES. Theilinger, Petra
- 3179889** LIQUID CONTAINER HAVING A LIGHTING SOURCE. Lörsch, Steffen
- 3179931** MEDICAL INSTRUMENT FOR ENDOSCOPIC SURGERY. Olympus Winter & Ibe GmbH
- 3179978** ANTITRANSPIRANT EMULSION WITH LOW ADHESIVABILITY. Henkel AG & Co. KGaA
- 3180057** AN INJECTION DEVICE AND A SUPPLEMENTAL DEVICE CONFIGURED FOR ATTACHMENT THERETO. Sanofi-Aventis Deutschland GmbH
- 3180059** A SURGICAL ASSEMBLY. Alesi Surgical Limited
- 3180074** MECHANICAL FEEDTHROUGHS FOR IMPLANTABLE MEDICAL DEVICE. Medtronic, Inc.
- 3180114** DYNAMIC MIXER WITH MOVABLE VANES FOR EXHAUST GASES OF I.C. ENGINES. Officine Metallurgiche G. Cornaglia S.p.A.
- 3180138** BENDING TOOL AND GRIPPING DEVICE FOR MANIPULATING THE BENDING TOOL. TRUMPF Maschinen Austria GmbH & Co. KG.
- 3180164** GRINDING ELEMENT, METHOD FOR PRODUCING THE GRINDING ELEMENT, AND INJECTION-MOLDING TOOL FOR CARRYING OUT THE METHOD. August Rüggeberg GmbH & Co. KG
- 3180165** OPTIMISED SETTING PROCEDURE FOR AN EXPANSIBLE ANCHOR. Hilti Aktiengesellschaft
- 3180166** OPTIMISED SETTING PROCEDURE FOR AN EXPANSIBLE ANCHOR. Hilti Aktiengesellschaft
- 3180228** STEERING COLUMN FOR A MOTOR VEHICLE. ThyssenKrupp Presta AG; thyssenkrupp AG
- 3180256** VENTED CAP ASSEMBLY. The Procter & Gamble Company
- 3180274** STORAGE AND PICKING SYSTEM, AND METHOD, FOR THE OPTIMIZED STORAGE AND RETRIEVAL OF ARTICLES. SSI Schäfer Automation GmbH
- 3180275** STORAGE AND ORDER-PICKING SYSTEM AND METHOD FOR PROVIDING ARTICLES IN A PARTICULAR ORDER. SSI Schäfer Automation GmbH
- 3180303** PROCESS AND SYSTEM FOR MAKING CYCLOHEXANONE. ExxonMobil Chemical Patents Inc.
- 3180338** AZABENZIMIDAZOLE DERIVATIVES AS AMP PROTEIN KINASE AGONISTES. Boehringer Ingelheim International GmbH
-

- 3180367** MULTI-REACTOR SLURRY POLYMERIZATION PROCESSES WITH HIGH ETHYLENE PURITY. Basell Polyolefine GmbH
- 3180374** URETHANE ADHESIVE. DOW GLOBAL TECHNOLOGIES LLC
- 3180433** METHOD FOR PROVIDING TUMOUR-SPECIFIC T CELLS. HS Diagnostics GmbH
- 3180452** BLAST FURNACE COOLING PLATE WITH INTEGRATED WEAR DETECTION SYSTEM. Paul Wurth S.A.
- 3180513** IMPROVEMENTS RELATING TO THE DETERMINATION OF ROTOR IMBALANCES IN A WIND TURBINE. Vestas Wind Systems A/S
- 3180557** HYDROGEN DOSAGE IN LED LIGHTING BULBS. Saes Getters S.p.A.
- 3180589** HIGH SPEED SENSING SYSTEM. The Timken Company
- 3180664** METHOD FOR DEDUCING GEOMETRICAL DEFECTS OF AN OPTICAL ARTICLE TURNING MACHINE. Essilor International
- 3180790** BASKET FOR TRANSPORT AND/OR STORAGE OF RADIOACTIVE MATERIALS. TN International
- 3180794** ELECTRICAL CABLE. Studer, Christoph
- 3180816** MULTIBAND SOURCE FOR A COAXIAL HORN USED IN A MONOPULSE RADAR REFLECTOR ANTENNA.. ZODIAC DATA SYSTEMS
- 3180902** METHOD AND APPARATUS FOR AUTOMATICALLY GENERATING AN EVENTS DICTIONARY IN AN INTERNET OF THINGS (IOT) NETWORK. Qualcomm Incorporated
- 3180935** ADAPTIVE CELL SELECTION IN HETEROGENEOUS NETWORKS. Telefonaktiebolaget LM Ericsson (publ)
- 3181600** COPOLYMER SUITABLE FOR IMPROVING HEAT RESISTANCE OF METHACRYLIC RESIN. Denka Company Limited
- 3181970** AN OFFSHORE S-LAY PIPELAYING VESSEL. Itrec B.V.
- 3182825** COMPOSITION COMPRISING 1,2-DIBROM-2,4-DICYANO BUTANE (DBDCB) AND ZINC PYRITHIONE (ZPT). LANXESS Deutschland GmbH
- 3182844** METHOD FOR REDUCING THE AMOUNT OF TOBACCO SPECIFIC NITROSAMINES IN LIQUIDS CONTAINING NICOTINE. Philip Morris Products S.A.
- 3182845** AEROSOL DELIVERY DEVICE INCLUDING A MOVEABLE CARTRIDGE AND RELATED ASSEMBLY METHOD. RAI Strategic Holdings, Inc.
- 3182852** FOOTWEAR WITH ELONGATED CLEATS. NIKE Innovate C.V.
- 3182867** INTER-OPERABLE CAPSULE DISPENSING UNIT AND BEVERAGE PREPARATION MACHINE. Nestec S.A.
- 3182868** INTER-OPERABLE CAPSULE DISPENSING UNIT AND BEVERAGE PREPARATION MACHINE. Nestec S.A.
-

- 
- 3183012** THERMOFORMED POLY-4-HYDROXYBUTYRATE MEDICAL IMPLANTS. Tepha, Inc.
- 3183041** FOOTBALL TRAINING APPARATUS. Elite Skills Arena Ltd
- 3183048** RAIN WATER FILTER. WISY AG Haustechniksysteme, Filtertechnik
- 3183118** APPARATUS AND METHODS FOR PRODUCING OPTICAL EFFECT LAYERS.. Sicpa Holding SA
- 3183149** ELECTRIC MOTOR-PUMP ASSEMBLY. Continental Teves AG & Co. OHG
- 3183174** PIPETTING SYSTEM. RAI Strategic Holdings, Inc.
- 3183188** BAG WITH MULTIPLE STORAGE COMPARTMENTS. NIKE Innovate C.V.
- 3183210** METHOD OF METALLIC CLUSTERS FABRICATION WITH DESIRED SIZE USING SCANNING TUNNELING MICROSCOPY TIP INDUCED REACTIONS. SABIC Global Technologies B.V.; UCL Business Plc.
- 3183212** METHOD FOR CLEANING A REACTOR FOR PRODUCING POLYCRYSTALLINE SILICON. Wacker Chemie AG
- 3183275** SULPHONATED, AMINOMETHYLATED CHELATE RESINS. Lanxess Deutschland GmbH
- 3183279** FLUOROTHERMOPLASTIC POLYMER. 3M Innovative Properties Company
- 3183280** PROCESS FOR THE PREPARATION OF DIENE POLYMERS OR RANDOM VINYL ARENE-DIENE COPOLYMERS. Versalis S.p.A.
- 3183282** POLYESTER MODIFIED POLYBUTADIENOLS FOR THE PRODUCTION OF POLYURETHANE ELASTOMERS AND THERMOPLASTIC POLYURETHANES. BASF SE
- 3183314** HOT MELT ADHESIVE COMPOSITION. Dow Global Technologies LLC
- 3183317** HOT MELT ADHESIVE COMPOSITION INCLUDING A CRYSTALLINE BLOCK COMPOSITE. Dow Global Technologies LLC
- 3183386** BOTTOM MODULE FOR A DOMESTIC APPLIANCE. BSH Hausgeräte GmbH
- 3183458** FLUID SUPPLY DEVICE FOR A TRANSMISSION FOR A MOTOR VEHICLE. GETRAG B.V. & Co. KG
- 3183487** FLUID TRANSPORT PIPE. TOYOTA JIDOSHA KABUSHIKI KAISHA; National University Corporation Tokyo University of Agriculture and Technology
- 3183502** HOUSEHOLD DEVICE HAVING A DOOR AND ELECTRICAL CONTACTS IN THE REGION OF A DOOR GUIDE. BSH Hausgeräte GmbH
- 3183570** HYDROGEN SENSOR HAVING A PROTECTION LAYER. ABB Schweiz AG
- 3183646** SKIPPING OF DATA STORAGE. Qualcomm Incorporated
- 3183663** LOW POWER CONNECTION DETECT METHOD AND SYSTEM FOR USB
-

CHARGING. Microchip Technology Incorporated

- 3183728** ORPHANED UTTERANCE DETECTION SYSTEM AND METHOD.  
Microsoft Technology Licensing, LLC
- 3183740** IMPACTOR SPRAY ION SOURCE. Micromass UK Limited
- 3183756** AN ORGANIC CONVERSION DEVICE. OLEDWorks GmbH
- 3183770** ELECTROCHEMICAL DEVICE FOR STORING ELECTRICAL ENERGY  
AND PRODUCING HYDROGEN, AND METHOD FOR PRODUCING  
HYDROGEN. Jomi Leman
- 3183772** A TRANSCEIVER FOR A PHASED ARRAY ANTENNA. Telefonaktiebolaget  
LM Ericsson (publ)
- 3183778** ELECTRICAL CONNECTION TERMINAL. Dehn + Söhne GmbH + Co. KG
- 3183781** PLUG CONNECTOR PART HAVING TEMPERATURE SENSORS. Phoenix  
Contact e-Mobility GmbH
- 3183823** KRONECKER APPROXIMATION AND SCALAR QUANTIZATION OF  
TRANSMIT WEIGHT VECTORS. Nokia Solutions and Networks Oy
- 3183838** REVERSE POWER FEED SYSTEM. British Telecommunications public  
limited company
- 3183851** DISTRIBUTION NODE, AUTOMATION NETWORK, AND METHOD FOR  
TRANSMITTING REAL-TIME-RELEVANT AND NON-REAL-TIME  
RELEVANT DATA PACKETS. Beckhoff Automation GmbH
- 3183854** DIGITAL ADSL REGENERATOR DEVICE WITH ADAPTIVE DATA  
FORWARDING. British Telecommunications public limited company
- 3183857** SECURE PROVISIONING OF AN AUTHENTICATION CREDENTIAL.  
Qualcomm Incorporated
- 3183928** DYNAMIC RESOURCE ALLOCATION BY BASE STATION PROVIDING  
BOTH BROADCAST AND UNICAST SERVICES. Telefonaktiebolaget LM  
Ericsson (publ)
- 3184260** POWER TOOL. Positec Power Tools (Suzhou) Co., Ltd
- 3185947** INTERVENTIONAL MEDICAL SYSTEMS, DEVICES, AND METHODS OF  
USE. Medtronic Inc.
- 3186105** SEAT DEPTH ADJUSTMENT MECHANISM. Assan Hanil Otomotiv Sanayi  
Ve Ticaret Anonim Sirketi
- 3186119** VALVE UNIT FOR MODULATING PRESSURE IN AN AIR-BRAKE  
SYSTEM. WABCO GmbH
- 3186214** CONTROLLED CONVERSION OF DIMETHYL BENZYL ALCOHOL TO  
CUMENE HYDROPEROXIDE FORMED DURING THE CUMENE  
OXIDATION PROCESS. SABIC Global Technologies B.V.
- 3186222** DIAMINE WITH TERTIARY ALKYL-AMINO AND PRIMARY AMINO
-



GROUP FOR USE IN GAS SCRUBBING. BASF SE

- 3186347** LIQUID DETERGENT COMPOSITION. Unilever PLC, a company registered in England and Wales under company no. 41424 of
- 3186434** STEAM IRON. Koninklijke Philips N.V.
- 3186437** A STEAM DEVICE WITH A NOISE GENERATOR. Koninklijke Philips N.V.
- 3186483** METHOD FOR MANUFACTURING A TURBINE ASSEMBLY. Siemens Aktiengesellschaft
- 3186485** COOLING CONCEPT FOR TURBINE BLADES OR VANES. Siemens Aktiengesellschaft
- 3186500** A HIGH PRESSURE FUEL PUMP WITH AN EVACUATION ASSEMBLY. Delphi International Operations Luxembourg S.à r.l.
- 3186525** DUAL CLUTCH. Schaeffler Technologies AG & Co. KG
- 3186540** ARTICULATED LEVELING FOOT FOR MACHINES OR DEVICES. Ramsauer, Dieter
- 3186742** SYSTEM AND METHOD FOR IMPROVED SECURITY FOR A PROCESSOR IN A PORTABLE COMPUTING DEVICE (PCD). Qualcomm Incorporated
- 3186818** HIGH VOLTAGE FEEDTHROUGH ASSEMBLY, TIME-RESOLVED TRANSMISSION ELECTRON MICROSCOPE AND METHOD OF ELECTRODE MANIPULATION IN A VACUUM ENVIRONMENT. Max-Planck-Gesellschaft zur Förderung der Wissenschaften e.V.
- 3186841** THERMOELECTRIC MODULE. Mahle International GmbH
- 3186873** APPARATUS FOR GENERATING ELECTRIC CURRENT. SMART INNOVATION S.r.L
- 3186884** AMPLIFICATION PHASE CORRECTION IN A PULSE BURST. MACOM Technology Solutions Holdings, Inc.
- 3187010** RE-SYNCHRONIZATION MANAGEMENT IN LTE/LTE-A WITH UNLICENSED SPECTRUM. Qualcomm Incorporated
- 3187663** SUN UMBRELLA. Iniciativa Exterior 3i S.A.
- 3187939** CONDUCTIVE MEMBER, CONDUCTIVE ROLLER, AND IMAGE FORMING DEVICE. Bridgestone Corporation
- 3188589** MODULAR CONTAINER FOR PLANTS. Bama S.p.A.
- 3188591** DEVICE FOR THE MAINTENANCE OF FLOOR COVER MATERIAL PRESENT ON AN ANIMAL SHED FLOOR. Lely Patent N.V.
- 3188632** BATHROOM SAFETY DEVICES. King, Rudolf C.
- 3188820** PROCESS AND SYSTEM FOR CLEANING WASTE GAS BY MEANS OF ALKALINE ABSORBENTS. Sahrhage, Torsten
- 3188886** A POLY-V PULLEY AND PLASTIC INJECTION MOULDING METHOD
-

FOR MANUFACTURING A POLY-V PULLEY. Schaeffler Technologies AG  
& Co. KG

**3188986** PACKET OF SMOKE ARTICLES. G.D S.p.A.

**3188992** DISPENSING DEVICE. Intech International A/S

**3189009** PROCESS FOR PRODUCTION OF AMMONIA AND DERIVATIVES, IN  
PARTICULAR UREA. Casale SA

**3189273** GLOW PLUG. Robert Bosch GmbH

**3189289** ELECTROMAGNETICALLY ACTUATABLE EXPANSION VALVE. Robert  
Bosch GmbH

**3189545** SEMICONDUCTOR MODULE AND STACK ARRANGEMENT OF  
SEMICONDUCTOR MODULES. ABB Schweiz AG

**3189649** METHOD FOR ASSIGNING A TAG WITH AN ACTION WITHIN A  
NETWORK, RESPECTIVE NETWORK AND CONTROL DEVICE. Thomson  
Licensing

**3189695** MULTI-MODAL WIRELESS CONNECTION MANAGEMENT. Qualcomm  
Incorporated

**3190323** FLOW CONTROL VALVE. Chen, Pao-Tang; Chen, Hung-Shan

**3190876** INJECTION SYSTEM. Viscon B.V.

**3191396** LIFTER WITH ELECTROPERMANENT MAGNETS. SGM Magnetics S.p.A.

**3191721** METHOD FOR PRODUCING A COMPONENT CONNECTION AND  
COMPONENT CONNECTION. Bayerische Motoren Werke Aktiengesellschaft

**3192181** INCREASED SYNTHESIZER PERFORMANCE IN CARRIER  
AGGREGATION/MULTIPLE-INPUT, MULTIPLE-OUTPUT SYSTEMS.  
Qualcomm Incorporated

**3193558** METHOD, DEVICE AND NETWORK FOR RADIO NETWORK  
TEMPORARY IDENTIFIER ALLOCATION IN DUAL CONNECTIVITY.  
HTC Corporation

**3193626** AN INSTANT BEVERAGE TABLET FOR PRODUCING A LAYERED  
BEVERAGE. Nestec S.A.

**3194120** SYSTEM FOR SUPPORTING A WORKPIECE. C.M.S. S.p.A.

**3194187** WHEEL-GUIDING LINK OF A VEHICLE CHASSIS, COMPOSED OF  
METAL AND PLASTIC PROFILE PARTS. Bayerische Motoren Werke  
Aktiengesellschaft

**3194188** AXLE SUSPENSION SYSTEM FOR A MOTOR VEHICLE. ZF  
Friedrichshafen AG

**3194213** A PIVOT ASSEMBLY FOR A VEHICLE EXTERNAL REAR VISION  
DEVICE AND A PIVOT TIE THEREFORE. SMR Patents S.à.r.l.

**3194333** METHOD FOR PRODUCING SYNTHESIS GAS. BASF SE

---

- 3194527** NEAR-IR EMITTING CATIONIC SILVER CHALCOGENIDE QUANTUM DOTS. KOC Universitesi
- 3194695** DOOR HANDLE ASSEMBLY FOR A MOTOR VEHICLE. Huf Hülsbeck & Fürst GmbH & Co. KG
- 3194797** SECURING DEVICE. Gripple Limited
- 3194832** A CONDENSATE DRAIN. Spirax-Sarco Limited
- 3195050** ADJUSTABLE POWER LENS AND EYEGLASSES FRAME. Eyejusters Ltd
- 3195336** INDUCTIVE ELECTRICAL COMPONENT WITH AUXILIARY WINDING. Philips Lighting Holding B.V.
- 3195382** ENERGY STORAGE UNIT FOR A HANDHELD POWER TOOL. Robert Bosch GmbH
- 3195387** NONAQUEOUS ELECTROLYTE SECONDARY BATTERY AND METHOD OF MANUFACTURING THE SAME. TOYOTA JIDOSHA KABUSHIKI KAISHA
- 3195402** BATTERY MODULE WITH RESTRAINED BATTERY CELLS UTILIZING A HEAT EXCHANGER. Johnson Controls Technology Company
- 3196491** BEARING DEVICE AND METHOD FOR MANUFACTURING BEARING DEVICE. NSK Ltd.
- 3197631** FASTENING SYSTEM AND METHOD FOR PRODUCING A FASTENING SYSTEM. Bayerische Motoren Werke Aktiengesellschaft
- 3197954** PIGMENT COMPOSITION. BASF SE
- 3197955** STABILIZATION OF C.I. PIGMENT YELLOW 139. BASF SE
- 3198042** METAL INDUSTRY SYSTEM AND METHOD FOR TRACKING A CONTAINER, IN PARTICULAR OF A METALLURGICAL CONTAINER. Primetals Technologies Austria GmbH
- 3200907** APPARATUS AND METHOD FOR PRILLING A LIQUID, PREFERABLY UREA MELT. Casale SA
- 3201367** METHOD AND DEVICE FOR DETERMINING THE TIME OF IGNITION IN AN OXYGEN BLOWING METHOD. Primetals Technologies Austria GmbH
- 3203538** METHOD OF MANUFACTURING THERMOELECTRIC DEVICE. DENSO CORPORATION
- 3204251** ACCELERATOR PEDAL WITH HAPTIC SIGNALLING. Robert Bosch GmbH
- 3204290** SUBMARINE. ThyssenKrupp Marine Systems GmbH
- 3205383** TOY TOP. Tomy Company, Ltd.
- 3205633** INTERMEDIATE FILM FOR LAMINATED GLASS AND LAMINATED GLASS. Sekisui Chemical Co., Ltd.
- 3206303** DEVICE FOR CONTROLLING A CAPACITOR WITH ADJUSTABLE CAPACITANCE. STMicroelectronics (Tours) SAS
-

- 3207337** SENSOR FOR DETERMINING AT LEAST ONE ROTATION CHARACTERISTIC OF A ROTATING ELEMENT. Robert Bosch GmbH
- 3207969** GAME TABLE FOR SPINNING TOP. Tomy Company, Ltd.
- 3208226** LIFT CRANE WITH MOVABLE COUNTERWEIGHT. Manitowoc Crane Companies, LLC
- 3212354** DEVICE AND METHOD FOR THE GENERATIVE PRODUCTION OF AT LEAST ONE AREA OF A COMPONENT. MTU Aero Engines AG
- 3216696** HELICOPTER. LEONARDO S.p.A.
- 3222166** HAIRDRESSING CAPE. Wako Clothing Co., Ltd.
- 3225951** METHOD AND APPARATUS FOR INSPECTING WORKPIECES. Renishaw PLC
- 3243352** CONFLICT INDICATION FOR RADIO TRANSMISSION CONTROL BY MULTIPLE DEVICES. Telefonaktiebolaget LM Ericsson (publ)
- 3253575** MACHINE ARRANGEMENT AND METHOD FOR SEQUENTIAL PROCESSING OF SHEET-TYPE SUBSTRATES. Koenig & Bauer AG
- 3253907** SUBSTRATE HOLDER RECEPTION APPARATUS. ATOTECH Deutschland GmbH
- 3258517** BATTERY MODULE HAVING IMPROVED FASTENING STRUCTURE. LG Chem, Ltd.
- 3278894** FLOW FORMING MACHINE AND METHOD FOR MAKING A WHEEL. Leifeld Metal Spinning AG
- 3279993** BATTERY LIFE PROLONGATION. Honeywell International Inc.
- 3281569** MODULAR FOAM UNIT. CUP&CINO Kaffesystem-Vertrieb GmbH & Co. KG
- 3281759** PROCESS FOR MAKING SEALS FOR PACKAGING BY INJECTION IN MOULD. ITC Packaging, S.L.U.
- 3281878** DEVICE FOR WRAPPING A STACK OF GOODS WITH A HOSE HOOD AND METHOD OF CHANGING THE HOSE FILM STORE IN SUCH A DEVICE. Maschinenfabrik Möllers GmbH
- 3285453** MODIFYING A STREAMING MEDIA SERVICE FOR A MOBILE RADIO DEVICE. Spotify AB
- 3286806** HOLDING FRAME FOR HOLDING PLUG CONNECTOR MODULES. Harting Electric GmbH & Co. KG
-

## Patents Expired

- 82311 Int. Cl. (2019.01) **G01R 31/08**. A cable network repair control system.  
LAKEFIELD ETECHNOLOGIES GROUP LIMITED
- S85362 Int. Cl. (2019.01) **F28F 27/00; F24H 1/00**. A method and apparatus for  
detecting flow of a fluid through a heat exchanger. TEKELEK PATENTS  
LIMITED
- S85425 Int. Cl. (2019.01) **G01R 31/08; H02H 1/00; H02H 3/40**. A system and  
method for locating line faults in a medium voltage network. FMC TECH  
LIMITED
- S85456 Int. Cl. (2019.01) **G08C 21/00; G08C 17/00**. An apparatus for monitoring  
fuel delivery data. SEAN FINNERTY; PAUL FOLEY; DREAMTEC  
SOFTWARE LIMITED
- S85551 Int. Cl. (2019.01) **A61Q 19/02; A61K 8/96; A61K 8/30**. Topical skin  
lightening composition. ORIFLAME COSMETICS S.A.
- 0949107 Material-handling vehicle. J.C. BAMFORD EXCAVATORS LIMITED
- 0949185 Material-handling vehicle. J.C. BAMFORD EXCAVATORS LIMITED
- 0949268 Derivatives of 2-fluoro 3-de(2,6-dideoxy 3-C-methyl-3-0-methyl-alpha-L-  
ribohexopyranosyl oxy) 6-1-methyl 3-oxo erythromycin, their process of  
preparation and application in the synthesis of medicaments. Aventis  
Pharma S.A.
- 0950386 Stent with local rapamycin delivery. Cordis Corporation
- 0951842 Infant formula. N.V. Nutricia
- 0955019 Prosthetic tubular aortic conduit and method for manufacturing the same.  
VASCUTEK LIMITED
- 0955268 Water treatment device with means for indicating the depletion of the  
purifying agent. Brita GmbH
- 0955445 Polycrystalline cutter element with specific interface. Diamond  
Innovations, Inc.
- 0956832 Method of making a stent. MEDINOL LTD.
- 0957070 Gypsum products. BPB plc
- 0960710 Method et apparatus for extruding and calendering a plastic sheet  
provided with anchoring projections or similar forms. Alois Gruber  
GmbH
- 0961000 Protection and safety device for automatic sliding gates. D.F.M.  
Automazione S.n.c di Digirolamo P. Fabio e Digirolamo Massimo
- 0967037 Polycrystalline diamond compact cutter with interface. Diamond  
Innovations, Inc.
-

- 0977896 DIAGNOSTIC SYSTEM AND METHOD FOR DETERMINING THE PRESENCE OF A GENOTOXIC COMPOUND IN A SAMPLE. "VLAAMSE INSTELLING VOOR TECHNOLOGISCH ONDERZOEK", afgekort "V.I.T.O."
- 0990706 Diagnostics based on tetrazolium compounds. LifeScan, Inc.
- 0991361 MEDICAL RETRIEVAL BASKET WITH A NON-POINTED DISTAL END. Boston Scientific Limited
- 0993700 A METHOD, DEVICE AND CARRIER FOR ENCODING MULTIWORD INFORMATION. PHILIPS AB; Koninklijke Philips Electronics N.V.
- 0993726 METHOD AND APPARATUS FOR REDIRECTION OF SERVER EXTERNAL HYPER-LINK REFERENCES. DISNEY ENTERPRISED, INC.
- 0998568 MUTANT HAVING URACIL PHOSPHORIBOSYL TRANSFERASE ACTIVITY. TRANSGENE S.A.
- 0998916 MEDICINAL COMPOSITIONS FOR APPLICATION TO MUCOSA. TEIJIN LIMITED
- 1000291 FLUID STORAGE AND DISPENSING SYSTEM. ENTEGRIS, INC.
- 1019111 BIOACTIVE AGENT RELEASE COATING. Surmodics Inc.
- 1058739 METHOD FOR GENERATING GENE EXPRESSION PROFILES. Ortho-McNeil Pharmaceutical, Inc.
- 1068311 METHODS AND MEANS FOR OBTAINING MODIFIED PHENOTYPES. Commonwealth Scientific and Industrial Research Organisation
- 1069819 METHOD FOR SELECTIVE INCREASE OF THE ANTICARCINOGENIC GLUCOSINOLATES IN BRASSICA SPECIES. Plant Bioscience Limited
- 1069908 CANCER VACCINE COMPRISING ALPHAVIRUS REPLICON PARTICLES. THE UNIVERSITY OF NORTH CAROLINA AT CHAPEL HILL
- 1069955 METHOD AND DEVICE FOR MANIPULATING MICROPARTICLES IN FLUID FLOWS. Evotec OAI AG
- 1070051 PROCESS FOR THE PRODUCTION OF R-(+)-6- CARBOXAMIDO- 3-N- METHYLAMINO- 1,2,3,4- TETRAHYDROCARBAZOLE. Vernalis Development Limited
- 1070199 SINGLE LEVER POWER CONTROLLER FOR MANNED AND UNMANNED AIRCRAFT. Athena Technologies, Inc.
- 1070303 METHOD FOR INDIVISIBLY MODIFYING A PLURALITY OF
-

- SITES IN A MICROCIRCUIT CARD NON VOLATILE MEMORY, IN PARTICULAR A CONTACTLESS CARD. Innovatron Electronique (Societe Anonyme)
- 1070713 QUINOLONECARBOXYLIC ACID DERIVATIVES OR SALTS THEREOF. TOYAMA CHEMICAL CO., LTD.
- 1071369 MOTION TRACKING SYSTEM. MASSACHUSETTS INSTITUTE OF TECHNOLOGY
- 1071400 DRUG DELIVERY OF PROTEINS FROM POLYMERIC BLENDS. GENZYME CORPORATION
- 1071419 CANNABINOIDS AS ANTIOXIDANTS AND NEUROPROTECTANTS. THE UNITED STATES GOVERNMENT as represented by THE DEPARTMENT OF HEALTH AND HUMAN SERVICES
- 1071439 ROSE-HIP FORMULATIONS AS ANTI-INFLAMMATORY NATURAL MEDICINE FOR ALLEVIATING/REDUCING SYMPTOMS ASSOCIATED WITH INFLAMMATION AND ARTHRITIS. Hansen, Otto Torbjorn; Hansen, Marianne
- 1071700 GLYCOSYLATION ENGINEERING OF ANTIBODIES FOR IMPROVING ANTIBODY-DEPENDENT CELLULAR CYTOTOXICITY. Roche Glycart AG
- 1071745 PROCESS FOR SYNTHESIZING COX-2 INHIBITORS. Merck Sharp & Dohme Corp.
- 1071752 CD19xCD3 SPECIFIC POLYPEPTIDES AND USES THEREOF. Micromet AG
- 1071779 VERTEBRATE PATCHED-2 PROTEIN. Genentech, Inc.
- 1071804 USE OF TRIPLEX STRUCTURE DNA SEQUENCES FOR TRANSFERRING NUCLEOTIDE SEQUENCES. Institut Pasteur; Centre National de la Recherche Scientifique (CNRS); Institut National de la Sante et de la Recherche Medicale (INSERM)
- 1071809 MULTIPARAMETER FACS ASSAYS TO DETECT ALTERATIONS IN CELLULAR PARAMETERS. Rigel Pharmaceuticals, Inc.
- 1071815 ASSAY FOR METHYLATION IN THE GST-Pi GENE. COMMONWEALTH SCIENTIFIC AND INDUSTRIAL RESEARCH ORGANISATION
- 1071855 TOILET APPARATUS. PHOENIX PRODUCT DEVELOPMENT LIMITED
- 1071883 WIND POWER PLANT WITH A TRANSFORMER. Wobben, Aloys
- 1072178 CIRCUIT CARD INSERTION AND REMOVAL SYSTEM.
-

- International Business Machines Corporation (IBM)
- 1073340 A METHOD FOR THE PRODUCTION OF SWEET FRESH CHEESE.  
Tetra Laval Holdings & Finance SA
- 1073432 USE OF D-SERINE OR D-ALANINE FOR TREATING  
SCHIZOPHRENIA. THE GENERAL HOSPITAL CORPORATION
- 1073439 PHARMACEUTICAL COMPOSITION. STIEFEL RESEARCH  
AUSTRALIA PTY LTD.
- 1073462 Combined vaccine against Hepatitis A and Hepatitis B. GlaxoSmithKline  
Biologicals s.a.
- 1073627 PROCESSES FOR PREPARING PESTICIDAL INTERMEDIATES.  
BASF Agro B.V., Arnhem (NL), Wädenswil-Branch
- 1073688 THE CONSTRUCTION OF COPOLYMER LIBRARIES. Rutgers, The  
State University
- 1073885 MEASURING A GAS MASS FRACTION. Advantica Intellectual  
Property Limited
- 1075292 INJECTION DEVICE. Bayer Intellectual Property GmbH
- 1075315 ILLUMINATOR FOR PHOTODYNAMIC THERAPY. Dusa  
Pharmaceuticals, Inc.
- 1075415 ARRANGEMENT FOR DYNAMIC CONTROL OF RUNNING TRIM  
AND LIST OF A BOAT. Profjord AB
- 1075462 PROCESS FOR THE PREPARATION OF S- N,N'- BIS-2- HYDROXY-  
1- (HYDROXYMETHYL) ETHYL]-5- -(2- HYDROXY-1-  
OXOPROPYL)- AMINO]- 2,4,6- TRIIDO- 1,3-  
BENZENEDICARBOXAMIDE. BRACCO IMAGING S.p.A.
- 1075659 SYSTEM FOR COLLECTION, STORAGE AND/OR TRANSPORT OF  
GAS SAMPLES. AEROCRINE AB
- 1075665 SATELLITE POSITIONING REFERENCE SYSTEM AND METHOD.  
Snaptrack, Inc.
- 1075721 A CABLE CLAMP. Conway, Timothy Joseph
- 1076652 N-(3-ETHYNYLPHENYLAMINO)-6,7-BIS(2-METHOXYETHOXY)-4-  
QUINAZOLINAMINE MESYLATE ANHYDRATE AND  
MONOHYDRATE. OSI Pharmaceuticals, Inc.
- 1076740 METHOD FOR INCORPORATING A BASIN IN A RECEIVING  
PLANE, RESULTING MONOBLOC ASSEMBLY FOR FURNITURE  
IN PARTICULAR BATHROOM OR KITCHEN FURNITURE.  
Limbach, Christian
- 1076861 MACHINE-ASSISTED TRANSLATION TOOLS. Trados Incorporated
- 1079803 PROTEIN FORMULATIONS. Shire-NPS Pharmaceuticals, Inc.
-



- 
- 1079813 PHARMACEUTICAL CARRIER DEVICE SUITABLE FOR DELIVERY OF PHARMACEUTICAL COMPOUNDS TO MUCOSAL SURFACES. ARIUS TWO, INC.
- 1079965 PLANT AND PROCESS FOR AUTOMATICALLY GLUING POLARISING LENSES. Barberini S.P.A.
- 1079977 COATING PIGMENT FOR INK-JET PRINTING. ENGELHARD CORPORATION
- 1080086 DIHYDROPYRIMIDINES. Bayer Intellectual Property GmbH
- 1083912 ANTITHROMBOTIC AGENTS. PROVEXIS NATURAL PRODUCTS LIMITED
- 1084013 DIE CUTTER BLANKET BEARING AND METHOD OF ARRANGING THE BLANKET AND BEARING ON AN ANVIL. ROBUD
- 1085900 USE OF ERYTHROPOIETIN FOR THE TREATMENT OF PRIMARY HAEMOCHROMATOSES. Roche Diagnostics GmbH
- 1087658 BIOLOGICALLY-ACTIVE MICRODISPERSION COMPOSITION. UNIROYAL CHEMICAL COMPANY, Inc.; Gustafson LLC
- 1087890 A METHOD AND A SYSTEM FOR FILLING GOODS IN BAGS FROM A COHERENT SERIES OF BAG MEMBERS. Schur Packaging Systems a/s
- 1096944 EXTRACTS OF ZANTHOXYLUM BUNGEANUM, PHARMACEUTICAL AND COSMETIC FORMULATIONS CONTAINING THEM. INDENA S.p.A.
- 1118058 PERSONALIZED TIME-SHIFTED PROGRAMMING. Audible, Inc.
- 1123079 BAG FOR PRESERVING AND TRANSPORTING STERILE PRODUCTS IN POWDER FORM AND FOR FORMING SOLUTIONS OF SAID PRODUCTS IN THE BAG. ACS DOBFAR S.p.A.
- 1205167 Central venous line catheter having temperature control system. Zoll Circulation, Inc.
- 1510827 Spring probe. Delaware Capital Formation, Inc.
- 1566200 Illuminator for photodynamic therapy. Dusa Pharmaceuticals, Inc.
- 1669094 Method of making a balloon for a catheter. Abbott Cardiovascular Systems Inc.
- 1695708 Highly concentrated minoxidil composition. Stiefel Research Australia Pty Ltd
- 1840591 Method and system for using altitude information in a satellite positioning system. Snaptrack, Inc.
- 1840592 Method and system for using altitude information in a satellite positioning
-

- system. Snaptrack, Inc.
- 1873549 Method and apparatus for operating a satellite positioning system receiver.  
Snaptrack Incorporated
- 2075002 Use of myoblasts in the manufacture of a medicament for treating stress  
urinary incontinence. University of Pittsburgh-of the Commonwealth  
System of Higher Education
- 2133725 Fabrication method for nanofabrication using multi-photon excitation.  
University of Connecticut
- 2156734 A piezo-sensor for a milking implement. Maasland N.V.
- 2180007 Glycosylation engineering of antibodies for improving antibody-  
dependent cellular cytotoxicity. Roche Glycart AG
- 2194122 Pyruvate carboxylase overexpression for enhanced production of  
oxaloacetate-derived biochemicals in microbial cells. THE UNIVERSITY  
OF GEORGIA RESEARCH FOUNDATION, INC.
- 2267139 Methods and means for obtaining modified phenotypes. Commonwealth  
Scientific and Industrial Research Organisation
- 2357255 Assay for methylation in the GST-Pi gene. Commonwealth Scientific and  
Industrial Research Organisation
- 2357256 Assay for methylation in the GST-Pi gene. Commonwealth Scientific and  
Industrial Research Organisation
-

## Request for Grant of Supplementary Protection Certificate

The name and address of the requestor follow the number allocated to the request. The date in brackets following the name and address is the date of receipt of the request. The Patent number is that under which the product in respect of which a certificate is sought is, allegedly, protected. Market Authorisation references in respect of the product concerned are also shown.

- 2019022** UCB PHARMA, S.A., Allée de La Recherche 60, 1070 Brussels,  
Belgium  
(18 April 2019)  
Patent No: 3059314; ANTIBODY MOLECULES HAVING  
SPECIFICITY FOR HUMAN TUMOR NECROSIS FACTOR  
ALPHA, AND USE THEREOF  
Product: Certolizumab  
Market Authorisation: Ireland EU/1/09/544/001-002, 01/10/2009
- 2019023** DYAX CORP., 300 Shire Way, Lexington Massachusetts 02421,  
United States of America  
(25 April 2019)  
Patent No: 2521568; PLASMA KALLIKREIN BINDING PROTEINS  
Product: An antibody comprising a VH sequence of  
EVQLLESGGGLVQPGGSLRLSCAASGFTFSHY  
MMVVVRQAPGKGLEVVVSGIYSSGGITVYADSVKGRFTISRDN  
SKNTLYLQMNSLRAEDTAVYYCAYRRIG  
VPRRDEFDIWGQGMVTVSS and a VL sequence of  
DIQMTQSPSTLSASVGDRVTITCRASQSISSWLAWYQQKPGKA  
PKWYKASTLESGVPSRFSGSGSGTE  
TLTISSLQPDDFATYYCQYNTYWTFGQGTKVEIK: in particular  
lanadelumab.  
Market Authorisation: Ireland EU/1/18/1340, 26/11/2018
- 2019024** ZS PHARMA, INC., 508 Wrangler Dr., Suite 100, Coppell, TX  
75019-7609/US, United States of America  
(29 April 2019)  
Patent No: 2673237; USE OF A ZIRCONIUM SILICATE FOR THE  
TREATMENT OF HYPERKALEMIA  
Product: Sodium zirconium cyclosilicate (Lokelma®)  
Market Authorisation: Ireland EU/1/17/1173, 22/03/2018

- 2019025** NIHON NOHYAKU CO., LTD., 2-5, Nihonbashi 1-chome, Chuo-ku,  
Tokyo 103-8236, Japan  
(30 April 2019)  
Patent No: 2132987; NEMATICIDAL AGENT COMPOSITION  
AND METHOD OF USING THE SAME  
Product: Fluopyram  
Market Authorisation: Ireland 05686, 15/11/2018  
Italy 16438, 11/09/2015
- 2019026** KYOWA HAKKO KIRIN CO., LTD., 1-6-1, Ohtemachi Chiyoda-ku,  
Tokyo 100-8185, Japan  
(16 April 2019)  
Patent No: 1449850; HUMAN CDR-GRAFTED ANTIBODIES AND  
ANTIBODY FRAGMENTS THEREOF  
Product: mogamulizumab in all forms protected by the basic patent  
Market Authorisation: Ireland EU/1/18/1335, 22/11/2018
- 2019027** ARDENIA INVESTMENTS LTD., First Floor 45 Welbeck Street,  
London, Greater London W1G 8 DZ, United Kingdom  
(01 May 2019)  
Patent No: 2231189; DRUG DELIVERY SYSTEM FOR  
ADMINISTRATION OF POORLY WATER SOLUBLE  
PHARMACEUTICALLY ACTIVE SUBSTANCES  
Product: Paclitaxel micellar  
Market Authorisation: Ireland EU/1/18/1292, 20/11/2018
- 2019028** FERRING B.V., Polaris Avenue 144, 2132 JX Hoofddorp, The  
Netherlands  
(02 May 2019)  
Patent No: 3225249; ORODISPERSIBLE DESMOPRESSIN FOR  
INCREASING INITIAL PERIOD OF SLEEP UNDISTURBED BY  
NOCTURIA  
Product: Desmopressin or an acetate salt thereof  
Market Authorisation: Ireland PA1009/027/001, 08/07/2016  
Ireland PA1009/027/002, 08/07/2016  
Belgium BE497271 (for female patients), 04/05/2016  
Belgium BE497280 (for male patients), 13/05/2016
-

## Designs Registered Under The Industrial Designs Act, 2001

**22861**      03.01      Louis Vuitton Malletier, 2 rue du Pont Neuf, 75001 Paris, France  
Address for service is c/o Sinead Skrba  
Tomkins & Co., 5 Dartmouth Road, Dublin D06 F9C7, Ireland

Date of Registration: 28 January 2019.

Luggage with two wheels  
France-03/08/2018



**22862** 03.01 Louis Vuitton Malletier, 2 rue du Pont Neuf, 75001 Paris, France  
Address for service is c/o Sinead Skrba  
Tomkins & Co., 5 Dartmouth Road, Dublin D06 F9C7, Ireland

Date of Registration: 28 January 2019.

Luggage with four wheels  
France-03/08/2018



22863

32.00

Camán and Co, 40 Easton Park, Leixlip W23 X7R6, Ireland  
Address for service is c/o Camán and Co  
40 Easton Park, Leixlip W23 X7R6, Ireland

Date of Registration: 02 April 2019.

Antrim Screenprint



**22864** 32.00 Camán and Co, 40 Easton Park, Leixlip W23 X7R6, Ireland  
Address for service is c/o Camán and Co  
40 Easton Park, Leixlip W23 X7R6, Ireland

Date of Registration: 02 April 2019.

Dublin Screenprint





22865 32.00 Camán and Co, 40 Easton Park, Leixlip W23 X7R6, Ireland  
Address for service is c/o Camán and Co  
40 Easton Park, Leixlip W23 X7R6, Ireland

Date of Registration: 02 April 2019.

Cork Screenprint



22866 32.00 Camán and Co, 40 Easton Park, Leixlip W23 X7R6, Ireland  
Address for service is c/o Camán and Co  
40 Easton Park, Leixlip W23 X7R6, Ireland

Date of Registration: 02 April 2019.

Mayo Screenprint



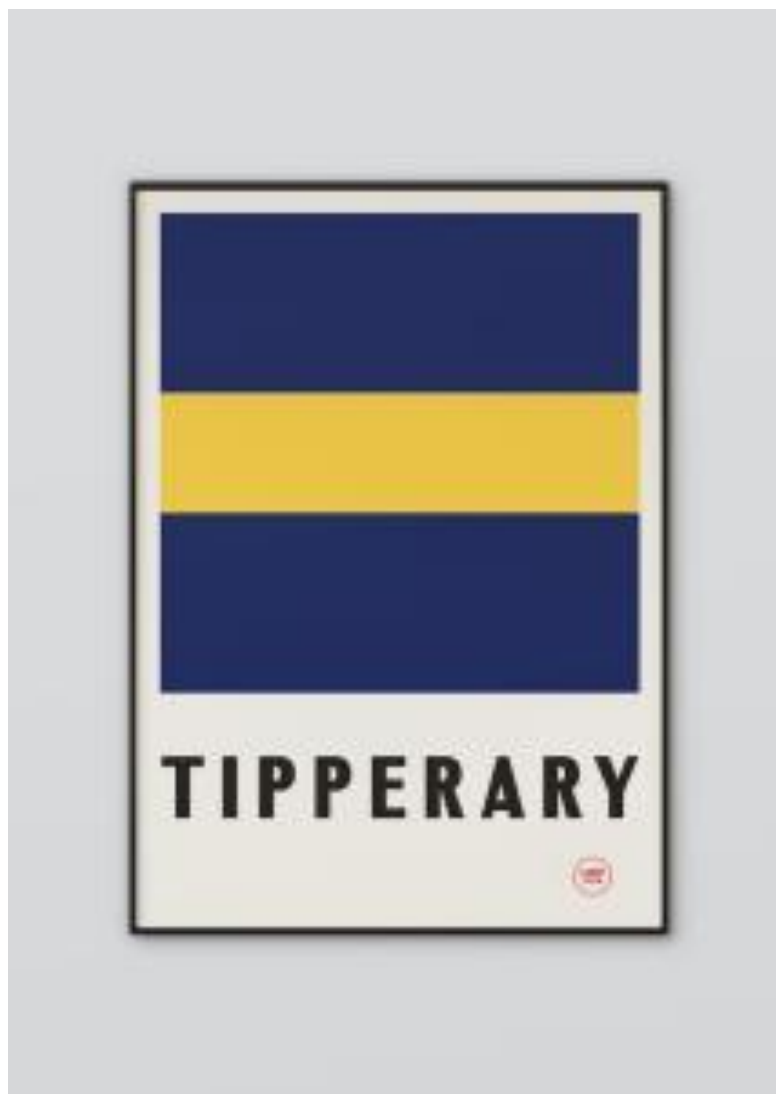
22867

32.00

Camán and Co, 40 Easton Park, Leixlip W23 X7R6, Ireland  
Address for service is c/o Camán and Co  
40 Easton Park, Leixlip W23 X7R6, Ireland

Date of Registration: 02 April 2019.

Tipperary Screenprint



**22868** 32.00 Camán and Co, 40 Easton Park, Leixlip W23 X7R6, Ireland  
Address for service is c/o Camán and Co  
40 Easton Park, Leixlip W23 X7R6, Ireland

Date of Registration: 02 April 2019.

Kerry Screenprint



22869 32.00 Camán and Co, 40 Easton Park, Leixlip W23 X7R6, Ireland  
Address for service is c/o Camán and Co  
40 Easton Park, Leixlip W23 X7R6, Ireland

Date of Registration: 02 April 2019.

Galway Screenprint



**22870** 30.02 Dara Llewellyn, Ardsallagh, Youghal, Co. Cork, Ireland  
Address for service is c/o Dara Llewellyn  
Ardsallagh, Youghal, Co. Cork, Ireland

Date of Registration: 01 April 2019.

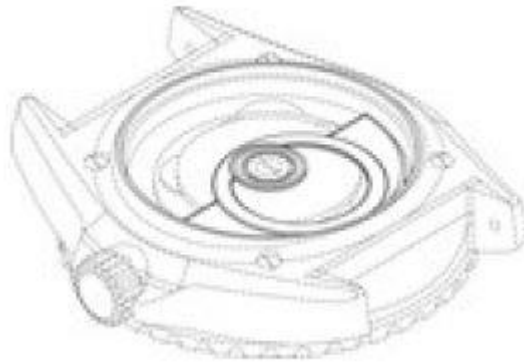
The Irish bee lodge is a box that creates a habitat for Irish bees including the Irish black bee and the Irish solitary bees. The box has a main compartment for the Irish black bee and a top area with bamboo and brick to support the solitary bee.



22871 10.07 Chanel Limited, 5 Queensway, CROYDON CR9 4DL, United Kingdom  
Address for service is c/o Patricia McGovern  
DFMG Solicitors, Embassy House, Ballsbridge, Dublin 4, Ireland

Date of Registration: 20 March 2019.

An oscillating weight for a watch.  
United Kingdom-21/11/2018



## **Renewal of Designs Registered under the Industrial Designs Act, 2001 Registration renewed for 2nd period of 5 Years**

Design Number	Class
21827	14-99

## **Designs Registered Under The Industrial Designs Act 2001, which have expired due to non-renewal**

Design number	Class
21718	14-04
21719	10-07
21744	02-03
21745	02-03
21746	02-03
21747	02-03
21748	02-03
21749	02-03
21750	02-03
21751	02-03
21752	02-03
21753	02-03
21755	02-03
21756	02-03
21757	02-03
21758	02-03

---



# Patents Office Journal

Irisleabhar Oifig Na bPaitinní

**Cuid II**

**Trádmharcanna**

---

**No. 2386**

**Wednesday, 29 May, 2019**

---

**NOTE:** *The office does not guarantee the accuracy of its publications nor undertake any responsibility for errors or omissions or their consequences.*

*In this Part of the Journal, unless the context otherwise requires, a reference to the 1963 Act means the Trade Marks Act, 1963, a reference to the 1963 Rules means the Trade Marks Rules, 1963, a reference to the 1996 Act means the Trade Marks Act, 1996 and a reference to the 1996 Rules means the Trade Marks Rules, 1996.*

## **Official Notice**

**Patent Rules 1992 – Rule 77 – Office Closure**

This Office will be closed to the public on Monday 03<sup>rd</sup> June 2019.

---

## Application for Registration of marks published under Section 43(1) of the 1996 Act following acceptance

Notice is hereby given that Applications for the Registration of the undermentioned trade marks have been accepted.

Any person who desires to oppose the registration of these trade marks may within three months from the date of this Journal give notice to the Controller, Patents Office, Government Buildings, Hebron Road, Kilkenny, in accordance with the provisions of Rule 18.

It should be noted that under the provisions of Rule 63(2) no extension of the opposition period is allowed for lodging opposition under Rule 18.

It is desirable before lodging formal opposition that a communication should be addressed to the Applicant affording him an opportunity to withdraw his application for registration. In this way cost of opposition proceedings may be avoided.

### StorySign

260826 01 February 2019

Class 9. Scientific, research, navigation, surveying, photographic, cinematographic, audiovisual, optical, weighing, measuring, signalling, detecting, testing, inspecting, life-saving and teaching apparatus and instruments; apparatus and instruments for conducting, switching, transforming, accumulating, regulating or controlling the distribution or use of electricity; apparatus and instruments for recording, transmitting, reproducing or processing sound, images or data; recorded and downloadable media, blank digital or analogue recording and storage media; mechanisms for coin-operated apparatus; cash registers, calculating devices; computers and computer peripheral devices; diving suits, divers' masks, ear plugs for divers, nose clips for divers and swimmers, gloves for divers, breathing apparatus for underwater swimming;

fire-extinguishing apparatus; smartphones; wireless router; network card; smart glasses; smartwatches; wearable activity trackers; digital photo frames; microphones; computer hardware; computer software; computer memory devices; integrated circuit cards; cabinets for loudspeakers; network communication equipment; batteries; battery chargers; portable power supplies (rechargeable batteries); tablet computers; protective cases for tablet computers; portable computers; laptop computers; headsets; virtual reality headsets; set-top boxes; loudspeakers; portable media players; sound transmitting apparatus; video cameras; cameras [photography]; computer keyboards; mouse [computer peripheral]; video monitors; computer programs, recorded; computer software applications, downloadable; interactive touch screen terminals; humanoid robots with artificial intelligence; smart rings; facial recognition equipment; video screens; personal digital assistants [PDAs]; computer software platforms, recorded or

downloadable; Software and applications for mobile devices; application software; thin client computers; hand-held electronic dictionaries; wearable computers; telecommunication apparatus in the form of jewelry; television; electronic publications, downloadable; downloadable image files; downloadable music files; digital music downloadable from the Internet; chatting robot software for conversation simulation; touch screen pens; video game cartridges; joysticks for use with computers, other than for video games; virtual reality game software; digital music downloadable from the internet; computer chatbot software for simulating conversations.

Huawei Technologies Co., Ltd., Huawei Administration Building, Bantian, Longgang District, Shenzhen, 518129 Guangdong, China. Address for service is c/o Anne Ryan & Co, 2 Crofton Terrace, Dun Laoghaire, Co. Dublin, A96 V6P7, Ireland.

1.1:

**DOOR STORE**

2.1:

**DOOR STORE**

3.1:

**THE  
DOOR  
STORE**

4.1:

**THE  
DOOR  
STORE**

Application is for a Series of 4 Trade Marks.

**260827** 02 October 2018

Class 19. Stair cases; flooring; wooden flooring; parquet flooring; laminate flooring; vinyl flooring; flooring underlay;

skirting boards, not of metal, mouldings, not of metal; none of the aforementioned goods being of metal; parts and fittings for all of the aforementioned goods.

- Class 35. Retail services relating to stair cases, flooring, wooden flooring, parquet flooring, laminate flooring, vinyl flooring, flooring underlay, skirting boards, mail boxes, and hardware for staircases and floors; the bringing together for the benefit of others of stair cases, flooring, wooden flooring, parquet flooring, laminate flooring, vinyl flooring, flooring underlay, skirting boards, mail boxes, and hardware for staircases and floors enabling others to conveniently view and purchase those goods via an Internet website or by mail order.

The Door Store Limited, 3 Longwood Road, Newtownabbey, Belfast BT37 9UL, United Kingdom. Address for service is c/o Ansons, 4th Floor, Imperial House, 4-10 Donegall Square East, Belfast BT1 5HD, United Kingdom.



**260828** 22 October 2018

- Class 6. Door hinges of metal.

Colin Murphy, Killinure, Tullow, Ireland. Address for service is c/o Colin Murphy, Killinure, Tullow, Ireland.

The mark in use is/will be in the colour(s) White and Dark Blue



Sales & Service  
Promise to Care

**260829** 03 January 2019

- Class 37. Motor vehicle maintenance; motor vehicle repair.

KIA MOTORS CORPORATION, 12, Heolleung-ro, Seocho-gu, Seoul, 06797, Republic of Korea. Address for service is c/o Cruickshank, 8A Sandyford Business Centre, Sandyford, Dublin 18, Ireland.

The mark in use is/will be in the colour(s) Red, white, dark grey, light grey



**260830** 04 February 2019

- Class 25. Clothing, footwear, headgear

NORTHERN LIGHTS ASSETS LIMITED, Shoe City Business Park, Dundalk Road, Castleblayney, Co. Monaghan, Ireland. Address for service is c/o Simon McArdle, One Roden Place, Dundalk, County Louth, A91 H4CY, Ireland.

The mark in use is/will be in the colours navy and gold



**260831** 04 February 2019

Class 25. Clothing, footwear, headgear

NORTHERN LIGHTS ASSETS LIMITED, Shoe City Business Park, Dundalk Road, Castleblayney, Co. Monaghan, Ireland. Address for service is c/o Simon McArdle, One Roden Place, Dundalk, County Louth, A91 H4CY, Ireland.



**260832** 04 February 2019

Class 25. Clothing, footwear, headgear

NORTHERN LIGHTS ASSETS LIMITED, Shoe City Business Park, Dundalk Road, Castleblayney, Co. Monaghan, Ireland. Address for service is c/o Simon McArdle, One Roden Place, Dundalk, County Louth, A91 H4CY, Ireland.

## XV KINGS

**260833** 04 February 2019

Class 25. Clothing, footwear, headgear

NORTHERN LIGHTS ASSETS LIMITED, Shoe City Business Park, Dundalk Road, Castleblayney, Co. Monaghan, Ireland. Address for service is c/o Simon McArdle, One Roden Place, Dundalk, County Louth, A91 H4CY, Ireland.



**260834** 04 February 2019

Class 25. Clothing, footwear, headgear

NORTHERN LIGHTS ASSETS LIMITED, Shoe City Business Park, Dundalk Road, Castleblayney, Co. Monaghan, Ireland. Address for service is c/o Simon McArdle, One Roden Place, Dundalk, County Louth, A91 H4CY, Ireland.

The mark in use is/will be in the colours navy & gold

## Cosy

**260835** 12 February 2019

- Class 35. Auctioneering of property; Real estate marketing; Real estate marketing analysis.
- Class 36. Property management; Property valuation; Property leasing [real estate property only]; Property portfolio management; Property management services; Management of property; Real property management; Leasing of property; Real property letting; Rental of property; Property investment services; Property (Real estate -) finance; Administration of property portfolios; Leasing of freehold property; Financing of property loans; Real property evaluation [financial]; Property (Real estate -) evaluations; Property appraisal services [valuation]; Evaluation of real property; Domestic property finding services; Property asset management services; Real estate property management; Property (Real estate -) management; Financing of property development; Commercial property investment services; Property (Real estate -) investment; Property (Real estate -) consultancy services; Leasing of real estate property; Property (Real estate -) brokerage services; Real estate and property management services; Rental of real estate and property; Arranging leases for the rental of property; Leases (arranging of -) [real estate property only]; Provision of information relating to property [real estate].

Twinlite Services Limited, 5 Harcourt Road, Dublin D02, Ireland. Address for service is c/o Twinlite Services Limited, 5 Harcourt Road, Dublin D02, Ireland.

The mark in use is/will be in the colour(s) Red, Green, Blue, Black, Purple, Cyan, Yellow, Magenta

---

## DEASY

**260836** 12 February 2019

- Class 32. Beer; Craft beer; Beers; Root beer; Wheat beer; Black beer; Non-alcoholic beers; Alcohol-free beers; Beer and brewery products; Ales; Pale ale; Ginger ale; Coffee-flavored ale; IPA (Indian Pale Ale); Stouts; Porter; Lager; Carbonated mineral water; Mineral waters [beverages].
- Class 33. Whiskey; Spirits; Alcoholic beverages (except beer); Distilled spirits.
- Class 40. Brewing of beer; Spirits distillery services; Distilling of spirits for others.

Maurice Deasy, Fortmoy, Aglish, Roscrea E53 D822, Ireland. Address for service is c/o Maurice Deasy, Fortmoy, Aglish, Roscrea E53 D822, Ireland.

---

## Kerva

**260837** 12 February 2019

- Class 31. Animal feedstuffs; Animal Feed; Animal feeds; Foodstuffs for dairy animals;

Foodstuffs for cattle;  
 Foodstuffs for farm animals;  
 Foodstuffs and fodder for animals;  
 Livestock fattening preparations;  
 Livestock feed;  
 Maize for consumption by animals;  
 Maize cake for cattle;  
 Maize (Processed-) for consumption by animals;  
 Maize products for consumption by animals;  
 Maize products (Processed-) for consumption by animals;  
 Meal for consumption by animals;  
 Preserved crops for animal feeds;  
 Processed cereals for consumption by animals;  
 Processed grains for consumption by animals;  
 Cereal based foodstuffs for animals;  
 Cereals products for consumption by animals;  
 Cattle feed;  
 Grains for animal consumption.

Inform Nutrition Ltd., Whites Cross, Cork T23 KD50, Ireland. Address for service is c/o Inform Nutrition Ltd., Whites Cross, Cork T23 KD50, Ireland.



**260838** 13 February 2019

Class 21. Mugs; Travel mugs; Cups and mugs.  
 Class 24. Labels (Textile -) for identifying clothing.

Class 30. Coffee beverages; Tea beverages; Cocoa beverages.

Harry Kelly, 4 Stonepark Court, Grange Road, Rathfarnham D14 PK06, Ireland. Address for service is c/o Harry Kelly, 4 Stonepark Court, Grange Road, Rathfarnham D14 Pk06, Ireland.



**260839** 16 January 2019

Class 39. Charitable services, namely distribution of clothing.

Padraic Rocliffe, Buckfield, Kilmeena, Westport, Mayo, Ireland. Address for service is c/o Padraic Rocliffe, Buckfield, Kilmeena, Westport, Mayo, Ireland.

The mark in use is/will be in the colour(s) Black & Yellow

## Solo Beverages

**260840** 24 October 2018

Class 33. Alcoholic beverages, except beer.

SOLO Beverages, 295 Griffith Avenue, Dublin D9, Ireland. Address for service is c/o SOLO Beverages, 295 Griffith Avenue, Dublin D9, Ireland.

Anchor Life Science Limited, Shanbally, Ringaskiddy, Co. Cork P43 E409, Ireland. Address for service is c/o TOMKINS & CO., 5 Dartmouth Road, Dublin 6, Ireland.

---



**260841** 25 January 2019

Class 44. Beauty salons.

Nail Fashion Limited, 2 The Drive, Hunters Run, Clonee D15, Ireland. Address for service is c/o Nail Fashion Limited c/o Walkinstown Accounting and Taxation Services, Unit G2, Ballymount Drive, Ballymount Rd Lower, Dublin D12, Ireland.

---

## CREWBASE

**260843** 07 February 2019

- Class 9. Computer software for personal information management, and data synchronization software; Software for integrated communication; Computer software for business networking; Downloadable publications, videos and podcasts.
- Class 35. Providing a searchable online database with job and career opportunities; Business networking; Providing an online marketplace in the field of career management.
- Class 42. Providing the temporary use of on-line non-downloadable cloud computing services; Providing a website featuring non downloadable publications, videos and podcasts in the field of career management.

---

## COW START

**260842** 13 February 2019

- Class 5. Medicated food additives for animals; fodder additives for medical purposes; food additives (medicated-) for animals; medical foodstuff additives for veterinary use; vitamin, mineral and trace element dietary supplements and nutritional additives (for medical or veterinary use) for animals; vitamin, mineral and trace element dietary supplements and nutritional additives (for medical or veterinary purposes) for foodstuffs for animals; veterinary preparations.

ACASS Canada Ltd., 6700 Côte de Liesse, suite 206, Montreal, Quebec H4T 2B5, Canada. Address for service is c/o MAUREEN DALY, C/o Beauchamps Solicitors, Riverside Two, Sir John Rogerson's Quay, Dublin 2, Ireland.

---





**260844** 11 February 2019

Class 43. Restaurants; Takeaway services.

Thomas Laverty, Carnmore, Oranmore, Galway, Ireland. Address for service is c/o Thomas Laverty, Carnmore, Oranmore, Galway, Ireland.

The mark in use is/will be in the colour(s) Torquise and cerise

---

## Story Of Galway

**260845** 14 February 2019

Class 14. Jewellery.

Robert Blacoe, 4 Rock Hill, Salthill, Galway, Ireland. Address for service is c/o Robert Blacoe, 4 Rock Hill, Salthill, Galway, Ireland.

---

## Story Of Mayo

**260846** 14 February 2019

Class 14. Jewellery.

Robert Blacoe, 4 Rock Hill, Salthill, Galway, Ireland. Address for service is c/o Robert Blacoe, 4 Rock Hill, Salthill, Galway, Ireland.

## Crops Watch

**260847** 11 February 2019

Class 44. Agriculture services.

Terrachem Ltd, 1A Mayflower Lodge, Cavetown, Croghan, Boyle, Co Roscommon, Ireland. Address for service is c/o Terrachem Ltd, 1A Mayflower Lodge, Cavetown, Croghan, Boyle, Co Roscommon, Ireland.

The mark in use is/will be in the colour(s) Black, Blue, Green, Brown

---

## CLUB 10

**260848** 09 May 2018

Class 9. Electrical and electronic measuring and calculating apparatus, appliances, equipment and instruments; electrical and electronic weighing apparatus, appliances, equipment and instruments; electrical and electronic scales; electrical and electronic calculators, pedometers, diaries and planners; electrical and electronic measuring, weighing and calculating devices, appliances, instruments, apparatus and systems, all for use in slimming, weight control, weight management, diet, dieting, foods, beverages, nutrition and exercise; electrical and electronic apparatus, appliances, equipment and instruments for monitoring physical activity; electrical and electronic apparatus, appliances,

equipment and instruments for food and beverage analysis; computer software; downloadable software; electronic publications; downloadable electronic publications; compact discs, DVDs and other digital recording media; pre recorded compact discs, DVDs and other recording media; data processing equipment; computers; computer hardware; computer firmware; computer peripheral devices; electrical, electronic and computer measuring, monitoring and calculating devices for use in relation to slimming, weight control, weight management, diet, dieting, exercise, health, fitness, recreation, lifestyle, eating habits, foods, beverages, nutrition and well being; downloadable publications; weighing apparatus; pre-recorded digital recording media; weighing scales, weighing balances, weighing platforms, all for weighing the human body; electrical and computer apparatus and devices, namely, digital weighing scales, digital balances, digital platforms for use in relation to slimming, weight control, weight management, diet, dieting, foods, beverages, nutrition exercise, health, fitness, recreation, lifestyle, eating habits and well-being; computer software for controlling weighing apparatus, appliances, instruments and devices, for use in database management in the fields of slimming, weight control, weight management, diet, dieting, exercise, health, fitness, recreation, lifestyle, eating habits, foods, nutrition and well-being; computer programs for use in data management in the fields of

slimming, weight control, weight management, diet, dieting, exercise, health, fitness, foods, beverages, nutrition, recreation, lifestyle, eating habits and well being; downloadable computer software and computer programs for controlling weighing apparatus, appliances, instruments and devices, for use in data management in the fields of slimming, weight control, weight management, diet, dieting, foods, nutrition, exercise, health, fitness, recreation, lifestyle, eating habits and well-being; software and programs for managing, assisting, monitoring and weighing, in particular for weight loss, diet, dieting, exercise, health, fitness, nutrition and well-being of humans; calculators; information technology and audio visual equipment; data processing equipment and accessories; measuring, detecting and monitoring apparatus and instruments.

Class 16. Printed matter; publications; photographs; stationery; books; booklets; directories; recipe cards; recipe books; pamphlets; diaries; charts; greetings cards; magazines; periodical publications; instructional and teaching materials; posters; plans; pads; postcards; catalogues; newsletters; printed forms; flyers; printed publications; handbooks; manuals; printed advertisement boards made of cardboard; cards; calendars; note books; calculating tables; writing materials; writing instruments; signboards made of cardboard; cookbooks; carrier bags.

Class 35. The bringing together, for the benefit of others, of a variety of electrical and electronic measuring and calculating apparatus, appliances,

equipment and instruments, electrical and electronic weighing apparatus, appliances, equipment and instruments, electrical and electronic scales, electrical and electronic calculators, pedometers, diaries and planners, electrical and electronic measuring, weighing and calculating devices, appliances, instruments, apparatus and systems, electrical and electronic apparatus, appliances, equipment and instruments for monitoring physical activity, computer software, downloadable software, electronic publications, downloadable electronic publications, compact discs, DVDs and other digital recording media, pre recorded compact discs, DVDs and other recording media, data processing equipment, computers, computer hardware, computer firmware, computer peripheral devices, weighing scales, weighing balances, weighing platforms, all for weighing the human body, digital weighing scales, digital balances, digital platforms, computer software for controlling weighing apparatus, appliances, instruments and devices, for use in database management, computer programs for controlling weighing apparatus, appliances, instruments and devices for use in data management, downloadable computer software and computer programs for controlling weighing apparatus, appliances, instruments and devices for use in data management, software and programs for managing, assisting, monitoring and weighing, information technology and audio visual equipment, data processing

equipment and accessories, measuring, detecting and monitoring apparatus and instruments, printed matter, publications, photographs, stationery, books, booklets, directories, recipes, pamphlets, diaries, charts, greetings cards, magazines, periodical publications, instructional and teaching materials, posters, plans, pads, postcards, catalogues, newsletters, printed forms, flyers, printed publications, handbooks, manuals, advertisement boards, cards, calendars, notebooks, calculating tables, writing materials, writing instruments, signs, cookbooks, clothing, footwear and headwear, exercise apparatus, equipment and devices, fitness apparatus, equipment and devices, exercise bicycles, body training and toning equipment, apparatus and devices, computer controlled exercisers, fitness apparatus and equipment, gymnastic and sporting articles, apparatus, appliances, equipment and instruments for monitoring physical activity, pharmaceuticals, dietary supplements, nutraceuticals, supplements, dietary supplements, vitamins, minerals, dietetic food and substances, food and food products, snack foods, prepared and packaged meals and food, agricultural, horticultural and forestry products, fresh fruits, vegetables, nuts, herbs, seeds, grains, salad vegetables, fungi and legumes, garden salads, unprocessed fruits, vegetables, nuts, herbs, seeds, grains, salad vegetables, fungi and legumes, raw fruits, vegetables, nuts, herbs, seeds, grains, salad vegetables, fungi and legumes, seeds, beers, mineral and aerated waters

and other non alcoholic drinks, fruit drinks and fruit juices, syrups and other preparations for making beverages, alcoholic beverages (except beer), preparations for making alcoholic beverages; the bringing together, for the benefit of others, of a variety of services namely education services, training services, arranging and conducting education seminars, lectures, symposia, colloquiums, conferences and workshops, coaching services, online education services, provision of online training services, online education services, arranging of lectures, seminars, symposia and workshops, health club services, fitness club services, health and fitness services, exercise services, information services and counselling services relating to exercise, education services and education advice relating to physical fitness, exercise, instruction services relating to fitness and exercise, fitness and exercise training services, provision of exercise and fitness classes, publishing services in relation to electronic publications, publishing services in relation to downloadable publications, publishing services relating to electronic magazines, journals, books and other written materials, information services and counselling services; relating to fitness, recreation, information services in the fields of fitness, exercise and recreation, online information services and counselling services relating to fitness, exercise and recreation, web based information services and counselling services relating to fitness, exercise and recreation, educational

services namely provision of correspondence courses, publishing services in relation to texts, publishing services in relation to books, information and counselling services, online information and counselling services, beauty care services, slimming salon services, slimming treatment services, weight control evaluation, weight control treatment, weight management evaluation, weight management treatment, weight management services, supervision services in the field of weight management, providing weight loss programme services, providing weight management programme services, providing nutritional information about food and drink for weight loss, weight control and weight management purposes and health care services, enabling customers to conveniently view and purchase those services from an internet website, an intranet website, or any other computer network, from an online retail store or outlet, from an online wholesale store or outlet, a retail store or outlet, a wholesale store or outlet, through a television shopping channel, by mail order, or by means of telecommunications.

Class 41. Education; instruction; providing of training; arranging and conducting of educational and instructional classes, seminars, lectures, symposia, colloquiums, conferences and workshops; academies; coaching; sporting and cultural activities; online education services; provision of online training; online educational classes, seminars, lectures, symposia and workshops; online instructional services;

provision of online instruction; online instructional classes, seminars, lectures, symposia and workshops; providing education, instruction, training and coaching on slimming, weight control, weight management, diet, dieting, exercise, health, lifestyle, eating habits, food, nutrition and well being accessible by means of the internet, the cloud, an intranet, web-based applications, mobile phone applications, hand-held computer devices, wireless communication devices and other electronic means; services for the provision of exercise equipment; health club services; fitness club services; health and fitness services; exercise services; advisory, counselling, consultancy and instruction services relating to exercise; provision of information and guidance relating to exercise; education, instruction and advice relating to physical fitness and exercise; physical fitness centres; fitness and exercise instruction; fitness and exercise training services; exercise and fitness classes; provision of educational seminars and workshops pertaining to slimming, weight control, weight management, diet, dieting, exercise, health, lifestyle, eating habits, nutrition, well-being, fitness and weight training; provision of services and facilities pertaining to slimming, weight control, weight management, diet, dieting, exercise, health, lifestyle, eating habits, well-being, gymnasium, fitness, weight training and aerobics; provision of services in the instruction and supervision of individuals in the fields of slimming, weight control, weight management, diet,

food and nutrition, exercise, health, lifestyle, eating habits, well-being, gymnasium, fitness and recreation; providing electronic publications; providing non downloadable publications; publication of electronic and digital magazines, journals, books, bookazines and other written materials; advisory, counselling and consultancy services relating to fitness, exercise and recreation; provision of information and guidance relating to fitness, exercise and recreation; provision of information in the fields of fitness, exercise and recreation; online advisory, counselling and consultancy services relating to fitness, exercise and recreation; provision of online information and guidance relating to fitness, exercise and recreation; web-based advisory, counselling and consultancy services relating to fitness, exercise and recreation; provision of web-based information and guidance services relating to fitness, exercise and recreation; online provision of information in the fields of fitness, exercise and recreation; organisation of competitions; correspondence courses; publication of texts; publication of books; provision of education, training, information and coaching in relation to slimming, weight control, weight management, diet, dieting, exercise, health, lifestyle, foods, beverages, nutrition, eating habits and well-being; publication services; publication of photographs, stationery, books, bookazines, booklets, directories, recipes, recipe books, pamphlets, diaries, charts, greetings cards, magazines, periodical

Class 44.	<p>publications, instructional and teaching materials, posters, plans, pads, postcards, catalogues, newsletters, forms, flyers, handbooks, manuals, advertisement boards, cards, calendars, note books, calculating tables, signboards, cookbooks; publication of photographs, stationery, books, bookazines, booklets, directories, recipes, recipe books, pamphlets, diaries, charts, greetings cards, magazines, periodical publications, instructional and teaching materials, posters, plans, pads, postcards, catalogues, newsletters, forms, flyers, handbooks, manuals, advertisement boards, cards, calendars, note books, calculating tables, signboards, cookbooks on the web, internet, intranet, the cloud or otherwise online.</p> <p>Advisory, counselling, consultancy, information and guidance services relating to slimming, weight control, weight management, diet, dieting, health, lifestyle, eating habits, food, nutrition and well being; provision of information in the fields of slimming, weight control, weight management, diet, dieting, health, lifestyle, eating habits, food, beverages, nutrition and well-being; online advisory, counselling, consultancy, information and guidance services relating to slimming, weight control, weight management, diet, dieting, health, lifestyle, eating habits and well-being; online provision of information in the fields of slimming, weight control, weight management, diet, dieting, health, lifestyle, eating habits, food, beverages, nutrition and well-being; providing advice, counselling, consultancy, information and guidance on slimming, weight</p>	<p>control, weight management, diet, dieting, health, lifestyle, eating habits, food, nutrition and well being accessible by means of the internet, an intranet, the cloud, web-based applications, mobile phone applications, hand-held computer devices, wireless communication devices and other electronic means; provision of information relating to slimming, weight control, weight management, diet, dieting, health, lifestyle, eating habits, food, nutrition and well-being; online provision of information relating to slimming, weight control, weight management, diet, dieting, health, lifestyle, eating habits, food, nutrition, well-being and medical services; web based provision of information relating to slimming, weight control, weight management, diet, dieting, health, lifestyle, eating habits, food, nutrition and well-being; hygiene and beauty services; health care services; provision of advisory, counselling and consultancy services and information and guidance relating to slimming, weight control, weight management, diet, dieting, foods, beverages, nutrition, health, lifestyle, eating habits and well; slimming salon services; slimming treatment services; weight control evaluation; weight control treatment; weight management evaluation; weight management treatment; weight management services; supervision services in the field of weight management; providing weight loss programme services; providing weight management programme services; providing nutritional information about food and drink for weight loss, weight</p>
-----------	---	--

control and weight management purposes.

Miles-Bramwell Executive Services Limited, Clover Nook Road, Somercotes, Alfreton, Derbyshire DE55 4RF, United Kingdom. Address for service is c/o FRKelly, 27 Clyde Road, Ballsbridge, Dublin 4, Ireland.

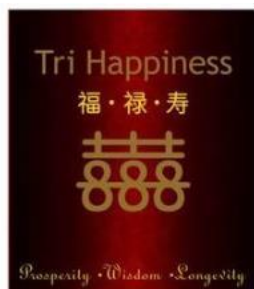


**260849** 13 February 2019

Class 25. Clothing.

Viver Livre, 34 Dale Road, Stillorgan, Dublin A94DK37, Ireland. Address for service is c/o Viver Livre, 34 Dale Road, Stillorgan, Dublin A94DK37, Ireland.

The mark in use is/will be in the colour(s) Black and White



**260850** 12 October 2018

Class 34. Ashtrays (non metal), cigars,

cigarettes, cigarette filters, cigarette papers, lighters, matches, smokers' articles, tobacco.

P.T. Sumatra Tobacco Trading Company, Jalan Pattimura No. 3, Pematang Siantar, Sumatera Utara, Indonesia. Address for service is c/o TOMKINS & CO., 5 Dartmouth Road, Dublin 6, Ireland.

---

## Shoe Rescue

**260851** 12 February 2019

Class 5. Medicated foot powder.

Genson Products Limited, Kilva, Midleton, Cork, Ireland. Address for service is c/o Reilly & Co, Solicitors, Bank House, Kent Street, Clonakilty, cork, Ireland.

The mark in use is/will be in the colour(s) Black and White

---

## Navien Smart+

**260852** 13 February 2019

Class 9. Measuring apparatus for temperature and humidity levels in gases and solid substances; gas leak alarms; measuring and control devices for air-conditioning technology; electric control devices for heating and energy management; software to control heating and air conditioning apparatus; smart remote controllers; application software for smart phone;

automatic humidity control apparatus; sensor for measuring humidity; room thermostats; electric switches for temperature sensor; heat regulating apparatus; remote multi switches; remote control apparatus; automatic combustion control apparatus; telecommunication machines and implements; home network devices; boiler control instruments; server for home network system; automatic temperature control machines and instruments; automatic liquid controllers for water supplying instruments; automatic liquid-flow control apparatus; thermostatic radiator control valves for steam and hot water systems in the form of valve bodies and control units; automatic zone valves for heating and plumbing; hot water regulating apparatus; thermostats.

KyungDong Navien Co., Ltd., 95, Suworam-gil, Seotan-myeon, Pyeongtaek-si, Gyeonggi-do, Republic of Korea. Address for service is c/o Tomkins & Co, 5 Dartmouth Road, Dublin 6, Ireland.

remote controllers; application software for smart phone; automatic humidity control apparatus; sensor for measuring humidity; room thermostats; electric switches for temperature sensor; heat regulating apparatus; remote multi switches; remote control apparatus; automatic combustion control apparatus; telecommunication machines and implements; home network devices; boiler control instruments; server for home network system; automatic temperature control machines and instruments; automatic liquid controllers for water supplying instruments; automatic liquid-flow control apparatus; thermostatic radiator control valves for steam and hot water systems in the form of valve bodies and control units; automatic zone valves for heating and plumbing; hot water regulating apparatus; thermostats.

KyungDong Navien Co., Ltd., 95, Suworam-gil, Seotan-myeon, Pyeongtaek-si, Gyeonggi-do, Republic of Korea. Address for service is c/o Tomkins & Co, 5 Dartmouth Road, Dublin 6, Ireland.

---

## Navien Smart plus

**260853** 13 February 2019

Class 9. Measuring apparatus for temperature and humidity levels in gases and solid substances; gas leak alarms; measuring and control devices for air-conditioning technology; electric control devices for heating and energy management; software to control heating and air conditioning apparatus; smart



**260854** 13 February 2019

Class 41. Physical health education.

---



John Bolton, Unit 10 Portarlinton Enterprise Centre, Canal Road, Portarlinton R32C788, Ireland  
Diane Cooper, Unit 10 Portarlinton Enterprise Centre, Canal Road, Portarlinton R32C788, Ireland  
Laura Tully, Liberty View, Ballydangan, Athlone Co Roscommon N37T3K4, Ireland. Address for service is c/o John Bolton, Diane Cooper and Laura Tully, c/o John Bolton, Unit 10 Portarlinton Enterprise Centre, Canal Road, Portarlinton R32C788, Ireland.

The mark in use is/will be in the colour(s) Pantone 3534C, 2465C, 3591C, 7405C, 400C

---

## The Currency

**260855** 14 February 2019

- Class 38. Electronic transmission of news.
- Class 41. Electronic publication; Online publication of electronic newspapers; Publication of electronic newspapers accessible via a global computer network.

Brendan Bruen, 26 Castle Grove, Clontarf, Dublin 3, Ireland. Address for service is c/o Brendan Bruen, 26 Castle Grove, Clontarf, Dublin 3, Ireland.

The mark in use is/will be in the colour(s) Black and white

## CHURCH OF OAK

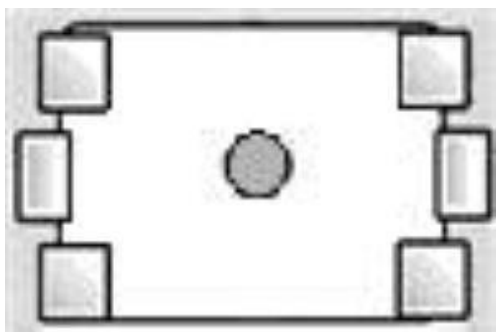
### Church of Oak

Application is for a Series of 2 Trade Marks.

**260856** 11 February 2019

- Class 4. Fuels and illuminants; Candles and wicks for lighting.
- Class 14. Precious metals and their alloys; Jewellery, precious and semi-precious stones; Horological and chronometric instruments.
- Class 16. Printed matter; Bookbinding material; Photographs; Stationery and office requisites, except furniture; Adhesives for stationery or household purposes; Drawing materials and materials for artists; Paintbrushes; Instructional and teaching materials; Plastic sheets, films and bags for wrapping and packaging; Printers' type, printing blocks.
- Class 18. Leather and imitations of leather; Animal skins and hides; Luggage and carrying bags; Umbrellas and parasols; Walking sticks; Whips, harness and saddlery; Collars, leashes and clothing for animals.
- Class 21. Household or kitchen utensils and containers; Cookware and tableware, except forks, knives and spoons; Combs and sponges; Brushes, except paintbrushes; Brush-making materials; Articles for cleaning purposes; Unworked or semi-worked glass, except building glass; Glassware, porcelain and earthenware.
- Class 24. Textiles and substitutes for textiles; Household linen; Curtains of textile or plastic.
- Class 25. Clothing, footwear, headwear.
- Class 28. Games, toys and playthings; Video game apparatus;

	Gymnastic and sporting articles; Decorations for Christmas trees.		sunglasses, recording discs, CDs, DVDs, and other recorded media, printed matter, bookbinding material, photographs, stationery, artists' materials, and paint brushes, luggage and carrying bags, wallets and purses, leather goods, namely luggage and carrying bags, wallets and purses, furniture, home furnishings, tableware and cookware, household and kitchen utensils and containers, cutlery, glassware, crystal, porcelain, earthenware, textiles, household linen, floor coverings, window and wall coverings, Christmas tree decorations, hampers, food and confectionery, alcoholic and non-alcoholic beverages, games and playthings; provision of the aforesaid services from a computer database or the Internet; compilation of advertisements for use as web pages on the Internet; provision of space on web sites for advertising goods; advisory and information services relating to the aforesaid.
Class 29.	Meat, fish, poultry and game; Meat extracts; Preserved, frozen, dried and cooked fruits and vegetables; Jellies, jams, compotes; Eggs; Milk, cheese, butter, yoghurt and other milk products; Oils and fats for food.		
Class 30.	Coffee, tea, cocoa and artificial coffee; Rice, pasta and noodles; Tapioca and sago; Flour and preparations made from cereals; Bread, pastries and confectionery; Chocolate; Ice cream, sorbets and other edible ices; Sugar, honey, treacle; Yeast, baking-powder; Salt, seasonings, spices, preserved herbs; Vinegar, sauces and other condiments; Ice [frozen water].		
Class 31.	Raw and unprocessed agricultural, aquacultural, horticultural and forestry products; Raw and unprocessed grains and seeds; Fresh fruits and vegetables, fresh herbs; Natural plants and flowers; Bulbs, seedlings and seeds for planting; Live animals; Foodstuffs and beverages for animals; Malt.		
Class 32.	Beers; Non-alcoholic beverages; Non-alcoholic distilled spirits; Mineral and aerated waters; Flavoured waters; Fruit beverages and fruit juices; Syrups and other non-alcoholic preparations for making beverages.	Class 40.	Spirits distillery services; consultancy, information and advisory services relating to the aforesaid.
Class 35.	Advertising; Business management; Business administration; Office functions; retail store services, mail order services, and on-line (or internet) retail services in respect of clothing, footwear, headgear and clothing accessories, perfumery, toiletries, cosmetics, and candles, jewellery, watches, and clocks, glasses and	Class 41.	Education; Providing of training; Entertainment; Sporting and cultural activities.
		Class 43.	Provision of food and drink; temporary accommodation; restaurant, bar, bistro, café, cafeteria, and coffee shop services; information and advisory services in relation to the aforesaid.
			Bronze Leaf Limited, 124 Rockfield Avenue, Perrystown, Dublin 12, Ireland. Address for service is c/o FRKelly, 27 Clyde Road, Ballsbridge, Dublin 4, Ireland.



**260857** 21 March 2018

Class 18. Bags; wallets.

Chanel Limited, No.5 Queensway, Croydon, Surrey CR9 4DL, United Kingdom. Address for service is c/o Patricia McGovern, DFMG Solicitors, Embassy House, Ballsbridge, Dublin 4, Ireland.



**260858** 09 May 2018

Class 3. Cosmetics; lotions for cosmetic purposes; cotton wool buds for cosmetic use; cotton wool balls for cosmetic use; cosmetic cotton wool; perfumes; eau de toilette; toiletries; make-up preparations; shampoos; dry shampoo; moisturisers; bath and shower creams and lotions, bubble bath, deodorants for personal use; cosmetic pencils; perfumed tissues; make up; foundations; blushers; eye shadows; skin, hand and nail lotions; skin, hand and nail cleansing lotions and creams; cocoa butter for cosmetic purposes; skin, hand and nail moisturisers, skin fresheners; cosmetic preparations for hair

and scalp; skin make-up; skin masks; nail polish; nail polish remover; skin cleansing foams; skin cream; skin moisturisers; skin care preparations; hair care preparations; hair care lotions; hair care creams; hair care serums; hair care masks; cosmetic hair care preparations; oil baths for hair care; conditioners; hair moisturisers; cream rinses; hair softeners; hair cleansers; curl activators; hair neutralising solutions; impregnated tissues for cleaning (non-medicated for use on the person); pre-moistened cosmetic tissues; hair spray; hair lacquer; hair powder; hair glaze; hair tonic solutions (tissues impregnated with cosmetics); cleaning preparations impregnated into tissues; tissues impregnated with cosmetics; lipstick cases; cosmetic kits; pedicure preparations; cosmetic pencils; eyebrow cosmetics and pencils; hairspray; lipsticks; lip gloss; false eyelashes; false nails; make up removing preparations

Class 8. Nail files and emery boards; cuticle sticks; tweezers; scissors; razors; razor blades; razor cases; shaving cases; foot files; emery files; manicure and pedicure tools; nail buffers for use in manicures; manicure sets; pedicure sets; cuticle scissors; hair cutting scissors; nail nippers (cuticle pliers); nail clippers

Class 18. Cosmetic bags; purses; bags for toiletries; make-up boxes; make-up cases; make-up bags

Class 21. Brushes; sponges; make-up sponges; containers for cosmetics; bottles; perfume atomisers; powder compacts; combs; brushes (except for paint brushes); cosmetic brushes; cosmetic sponges; soap holders; sponge holders;

- dispensers for facial tissues; foam toe separates for use in pedicures; powder compacts; cosmetic spatulas; hair brushes; nail brushes; hair tinting brushes; body brushes
- Class 24. Towels; face towels; textile face towels; make-up removal towels [textile] other than impregnated with cosmetics; make-up removal towels [textile] other than impregnated with toilet preparations; turban hair drying towels; face cloths of towelling; make-up pads of textile for removing make-up; bath mitts
- Class 26. Hair ornaments; hair bands; hair bows; hair pins; hair nets; tresses of hair; hair slides; hair clips; hair grips; bobby pins; artificial flowers; safety pins; hair curlers; non-electric hair curlers; hair rollers

UNIPHAR PLC, 4045 Kingswood Road, Citywest Business Park, Co. Dublin, Ireland. Address for service is c/o DAVID CULLEN, William Fry Solicitors, 2 Grand Canal Square, Dublin D02 A342, Ireland.

The mark in use is/will be in the colours greyscale

1.1:



2.1:



Application is for a Series of 2 Trade Marks.

**260859** 09 May 2018

- Class 3. Cosmetics; lotions for cosmetic purposes; cotton wool buds for cosmetic use; cotton wool balls for cosmetic use; cosmetic cotton wool; perfumes; eau de toilette; toiletries; make-up preparations; shampoos; dry shampoo; moisturisers; bath and shower creams and lotions, bubble bath, deodorants for personal use; cosmetic pencils; perfumed tissues; make up; foundations; blushers; eye shadows; skin, hand and nail lotions; skin, hand and nail cleansing lotions and creams; cocoa butter for cosmetic purposes; skin, hand and nail moisturisers, skin fresheners; cosmetic preparations for hair and scalp; skin make-up; skin masks; nail polish; nail polish remover; skin cleansing foams; skin cream; skin moisturisers; skin care preparations; hair care preparations; hair care lotions; hair care creams; hair care serums; hair care masks; cosmetic hair care preparations; oil baths for hair care; conditioners; hair

moisturisers; cream rinses; hair softeners; hair cleansers; curl activators; hair neutralising solutions; impregnated tissues for cleaning (non-medicated for use on the person); pre-moistened cosmetic tissues; hair spray; hair lacquer; hair powder; hair glaze; hair tonic solutions (tissues impregnated with cosmetics); cleaning preparations impregnated into tissues; tissues impregnated with cosmetics; lipstick cases; cosmetic kits; pedicure preparations; cosmetic pencils; eyebrow cosmetics and pencils; hairspray; lipsticks; lip gloss; false eyelashes; false nails; make up removing preparations

Class 8. Nail files and emery boards; cuticle sticks; tweezers; scissors; razors; razor blades; razor cases; shaving cases; foot files; emery files; manicure and pedicure tools; nail buffers for use in manicures; manicure sets; pedicure sets; cuticle scissors; hair cutting scissors; nail nippers (cuticle pliers); nail clippers

Class 18. Cosmetic bags; purses; bags for toiletries; make-up boxes; make-up cases; make-up bags

Class 21. Brushes; sponges; make-up sponges; containers for cosmetics; bottles; perfume atomisers; powder compacts; combs; brushes (except for paint brushes); cosmetic brushes; cosmetic sponges; soap holders; sponge holders; dispensers for facial tissues; foam toe separates for use in pedicures; powder compacts; cosmetic spatulas; hair brushes; nail brushes; hair tinting brushes; body brushes

Class 24. Towels; face towels; textile face towels; make-up removal towels [textile] other than impregnated with cosmetics; make-up removal towels [textile] other than

impregnated with toilet preparations; turban hair drying towels; face cloths of towelling; make-up pads of textile for removing make-up; bath mitts

Class 26. Hair ornaments; hair bands; hair bows; hair pins; hair nets; tresses of hair; hair slides; hair clips; hair grips; bobby pins; artificial flowers; safety pins; hair curlers; non-electric hair curlers; hair rollers

UNIPHAR PLC, 4045 Kingswood Road, Citywest Business Park, Co. Dublin, Ireland. Address for service is c/o DAVID CULLEN, William Fry Solicitors, 2 Grand Canal Square, Dublin D02 A342, Ireland.

The marks in use is/will be in the colours greyscale and white.

1.1:



2.1:



Application is for a Series of 2 Trade Marks.

**260860** 27 June 2018

Class 11. Immersion heaters.

Mezwell Limited, 1 Doughcloyne Industrial Estate, Sarsfield Road, Wilton, Cork T12YC86, Ireland. Address for service is c/o TOMKINS & CO., 5 Dartmouth Road, Dublin 6, Ireland.

The application for Registration is proceeding on the basis of Honest Concurrent Use with Registered Trade Mark No. 245400.

The first mark in the series in use is/will be in the colour(s) red and white

1.1:

FLORRYN

2.1:

FLORRYN

3.1:

FLORRYN

4.1:

FLORRYN

Application is for a Series of 4 Trade Marks.

**260861** 14 March 2018

Class 35. Retail Services in relation to toiletries, substances for cleaning and laundry use, white goods, jewellery, clocks, watches, paper, cardboard stationery, office requisites, publications, leather goods, luggage, furniture, garden furniture, ceramics, household containers and utensils, furnishings, textiles, household linens, blankets, baby blankets, clothing, accessories, footwear, headwear, decorator's materials, wall coverings, paints, floor coverings,

haberdashery, toys and games, organic food and foodstuffs and organic drinks (alcoholic and non-alcoholic).

BRIGID MCGUIRE, Stonehill Studios Cloonislaun, Church Road, Ballina, Co Mayo, Ireland. Address for service is c/o BRIGID MCGUIRE, Farrangarode, Quay Road, Ballina, Co Mayo, Ireland.

The third and fourth mark in the series in use is/will be in the colours Godstone (Terracotta-Ochre) and white.



**260862** 14 February 2019

Class 30. Taste and flavour enhancers for food; Condiments; Seasonings; Sauces; nucleic acid seasoning for food; chemical seasoning for food; monosodium glutamate for food; Sugar; Food flavorings (other than essential oils); Spices; Natural Sweeteners; Salt; Rice; Wheat flour; Mixes for bakery goods; Dried cooked-rice; Dumplings; Korean-style dumplings (Mandu); Grain-based snack foods; cereal-based processed products; Noodles; Bowl of rice served with toppings; Sandwiches; Pasta; Bread; Crackers; Golden syrup; Rice Cakes; Seasoned bean paste; Soy sauce; Fermented hot pepper paste; Vinegar; Tea; Ginseng tea; Prepared or

Packaged meals consisting primarily of rice or noodle; Rice based precooked meal; Cocoa; Coffee; Pastries and confectionery; Puddings; Salad dressing; Meat tenderizers for household purposes.

CJ Corporation, 12, Sowol-ro 2-gil, Jung-gu, Seoul, Republic of Korea. Address for service is c/o FRKelly, 27 Clyde Road, Ballsbridge, Dublin 4, Ireland.

---

## M15 SPORTS

**260863** 04 February 2019

Class 25. Clothing, footwear, headgear  
Class 28. Games and playthings; gymnastic and sporting articles; decorations for Christmas trees

DECLAN LOUGHMAN, Declan Loughman Sports, Glencarn Town Centre, Main Street, Castleblayney, Co Monaghan, Ireland. Address for service is c/o SIMON MCARDLE, McKenna McArdle Solicitors, One Roden Place, Dundalk, Co Louth A91 H4CY, Ireland.

---

## M15 TEAMWEAR

**260864** 04 February 2019

Class 25. Clothing, footwear, headgear  
Class 28. Games and playthings; gymnastic and sporting articles; decorations for Christmas trees

DECLAN LOUGHMAN, Declan Loughman Sports, Glencarn Town Centre, Main Street, Castleblayney, Co Monaghan, Ireland. Address for service is c/o SIMON MCARDLE, McKenna McArdle Solicitors, One Roden Place, Dundalk, Co Louth A91 H4CY, Ireland.



**260865** 04 February 2019

Class 25. Clothing, footwear, headgear  
Class 28. Games and playthings; gymnastic and sporting articles; decorations for Christmas trees

DECLAN LOUGHMAN, Declan Loughman Sports, Glencarn Town Centre, Main Street, Castleblayney, Co Monaghan, Ireland. Address for service is c/o SIMON MCARDLE, McKenna McArdle Solicitors, One Roden Place, Dundalk, Co Louth A91 H4CY, Ireland.

---

## eSport-Mania

**260866** 09 September 2018

Class 41. Music recording; Consultancy services in the field of entertainment provided via the

Internet; Consultancy services in the field of entertainment; Providing digital music [not downloadable] from the internet; Providing publications from a global computer network or the internet which may be browsed; Electronic games services provided by means of the internet; Providing entertainment information via a website; Providing information on-line relating to computer games and computer enhancements for games; Providing online information on computer and video game strategies; Provision of online information in the field of computer games entertainment; Provision of an online magazine featuring information in the field of computer games; Recording services; Recording studios; Audio recording services; Studio services (Recording -); Audio recording and production; Production of audio recordings; Production of audiovisual recordings; Editing of audio recordings; Audio and video recording services; Recording studio services for videos; Production of audio-visual recordings; Show production services; Shows (Production of -); Photography services; Provision of information relating to sporting events; Information about entertainment and entertainment events provided via online networks and the Internet; Writing of texts; Publication of texts; Texts (Writing of -), other than publicity texts; Editing of written text; Editing of written texts; Organization of eSports competitions.

Patrick Schultz, Oststraße 93, 32107 Bad Salzufflen, Germany. Address for service is c/o TOMKINS & CO., 5 Dartmouth Road, Dublin 6, Ireland.

---

## YEAH! BURGR

**260867** 15 February 2019

Class 43. Cafeterias; Cafés; Café services; Cafeteria services; Self-service cafeteria services; Catering in fast-food cafeterias; Providing food and drink in Internet cafes; Serving food and drink in Internet cafes; Restaurants; Restaurant services; Grill restaurants; Delicatessens [restaurants]; Providing restaurant services; Mobile restaurant services; Carry-out restaurants; Fast food restaurants; Self-service restaurants; Restaurant and bar services; Fast-food restaurant services; Take-out restaurant services; Bar and restaurant services; Self-service restaurant services; Restaurant services incorporating licensed bar facilities; Providing food and drink in restaurants and bars; Restaurant services for the provision of fast food; Provision of food and drink in restaurants; Take-away fast food services.

Little Big Man Limited, 41 Watergate Street, Navan, Co. Meath, Ireland. Address for service is c/o RENNICK SOLICITORS, Main Street, Dunboyne, Co. Meath, Ireland.





**260868** 16 February 2019

Class 43. Restaurants.

Everett Restaurants Limited, 22 High Street, Waterford, Ireland. Address for service is c/o Everett Restaurants Limited, 22 High Street, Waterford, Ireland.



**260869** 17 February 2019

Class 41. Health and wellness training.  
Class 44. Mental Health Services.

Grainne Toher, 2 Cedar Brook Ave, Parkwest, Dublin 10 C387, Ireland. Address for service is c/o Grainne Toher, 2 Cedar Brook Ave, Parkwest, Dublin 10 C387, Ireland.

The mark in use is/will be in the colours purple and light grey



**260870** 09 November 2018

Class 35. Public relations services.

BARRY AHERN, Business Management Communications (BMC), Adelaide Chambers, Peter Street, Dublin 8, D08 C2FF, Ireland. Address for service is c/o BARRY AHERN, Business Management Communications (BMC), Adelaide Chambers, Peter Street, Dublin 8, D08 C2FF, Ireland.

The mark in use is/will be in the colours blue and white

## SUNBURST

**260871** 18 December 2017

Class 31. Fresh fruit; fresh apples.

Priority Date Claimed: 19 October 2017 United Kingdom

NIAB EMR, Huntingdon Road, Cambridge, Cambridgeshire CB3 0LE, United Kingdom. Address for service is c/o Stobbs, Endurance House, Vision Park, Chivers Way, Cambridge CB24 9ZR, United Kingdom.

## THE HOP FOUNDRY

**260872** 18 February 2019

Class 32. Beer, craft beer, wheat beer,

flavoured beer; ale, pale ale, Indian Pale Ale (IPA); stout; lager, pilsner; porter; shandy; non-alcoholic beverages.

Aldi Stores (Ireland) Limited, 67-68 Fitzwilliam Square, Dublin 2, Ireland. Address for service is c/o FRKelly, 27 Clyde Road, Ballsbridge, Dublin 4, Ireland.

1.1:

**BLACKBERRY**  
HEARING

2.1:

**BLACKBERRY**  
HEARING

Application is for a Series of 2 Trade Marks.

**260873** 18 February 2019

- Class 10. Hearing apparatus, hearing protectors and hearing aids; audiometric apparatus; medical and surgical apparatus and instruments for the diagnosis and treatment of audiological problems and disorders and deafness; hearing aid accessories; parts and fittings for the aforesaid.
- Class 44. Medical services; medical clinic and consultation services; hearing tests; hearing aid services; fitting of hearing aids; health care services.

Blackberry Hearing Limited, The Village Centre, Two Mile House, Naas, Co. Kildare, Ireland. Address for service is c/o TOMKINS & CO., 5 Dartmouth Road, Dublin 6, Ireland.

The first mark only in the series, in use, is/will be in the colour(s) purple and grey.



**260874** 18 February 2019

- Class 32. Beer, craft beer, wheat beer, flavoured beer; ale, pale ale, Indian Pale Ale (IPA); stout; lager, pilsner; porter; shandy; non-alcoholic beverages.

Aldi Stores (Ireland) Limited, 67-68 Fitzwilliam Square, Dublin 2, Ireland. Address for service is c/o FRKelly, 27 Clyde Road, Ballsbridge, Dublin 4, Ireland.

**Müller Rice 5 Grains**

**Müller Rice Five Grains**

Application is for a Series of 2 Trade Marks.

**260875** 13 October 2017

- Class 29. Yogurt, desserts comprising of yogurt and honey, yogurt and fruit, yogurt and nuts,

yogurt and cereals, yogurt and chocolate, yogurt and sweets, all made wholly or principally of yogurt; yogurt drinks, drinks containing yogurt and fruit juice; drinks containing yogurt and fruit puree; dairy products; dairy desserts; preparations all for use as desserts and puddings; milk; milk products; milk beverages; fruit purees; fromage frais; dairy based spreads, fruit spreads, vegetable spreads, vegetable based spreads; dairy spreads; margarine; dips; semi-skimmed milk; skimmed-milk; cream and yogurt; edible oils and edible fats; cream; butter; cheese; cottage cheese; cheese spread; soya milk; flavoured milk; milk drinks; beverages consisting principally of milk; beverages made from milk; long life milk; milk based drinks; beverages with a milk element; beverages derived from milk; drinks made wholly or principally with milk; milk shakes; powdered milk; flavoured milk drinks.

Class 30. Desserts and puddings; ice cream; frozen yogurts; ice; ices; sorbets; syrups and other preparations for stiffening whipped cream.

Molkerei Alois Müller GmbH & Co KG, Zollerstrasse 7, 86850 Fischach-Aretsried, Germany. Address for service is c/o Laura West, Mathys & Squire LLP, Abbey House, 32 Booth Street, Manchester M2 4AB, United Kingdom.

The application for Registration is proceeding with the consent of the proprietor of Registered EUTM No. 08952392.

## powercoin

260876 31 October 2018

Class 36. Insurance consultancy; capital investment; exchanging money; clearing, financial; financing services; financial management; financial consultancy; providing financial information via a web site; financial analysis; financial evaluation [insurance, banking, real estate]; Monetary transfer; Monetary transactions; Online financial transactions; Acquisition and transfer of monetary claims; numismatic appraisal; Financial trust management; Securities management; electronic funds transfer.

Tian'en Energy Resources Limited Company, T1-101A, Shangshufang Community, No.266, Tingtao Road, Yangzi Street, Binhai District, Weifang, Shandong, China. Address for service is c/o Niall Tierney, Galway Technology Centre, Mervue Business Park, Galway H91 D932, Ireland.

## Exstrawdinary

260877 18 February 2019

Class 21. Drinking straws; Straws for drinking.

Class 31. Straw.

Kim Nolan, Barrowmount, Goresbridge, Kilkenny R95PP73, Ireland. Address for service is c/o Kim Nolan, Barrowmount, Goresbridge, Kilkenny R95PP73, Ireland.



**260878** 17 February 2019

- Class 35. Tax return preparation; Taxation [accountancy] consultation; Tax consultancy [accountancy].
- Class 42. Software development.

Client Connect Limited, 18 - 19 College Green, Dublin 2, Ireland. Address for service is c/o Client Connect Limited, 18 - 19 College Green, Dublin 2, Ireland.

The mark in use is/will be in the colour(s) White, blue, black



**260879** 18 February 2019

- Class 41. Health and wellness training.

Yoga and Health Ireland Ltd, 17 Ennisgrove, Irishtown, Dublin, Ireland. Address for service is c/o Yoga and Health Ireland Ltd, c/o George Brown, 17 Ennisgrove, Irishtown, Dublin, Ireland.

The mark in use is/will be in the colours red, black and white.



JACQUELINE SUSSAIN PERSONAL CARE & HYGIENE PRODUCTS

**260880** 18 February 2019

- Class 3. Cosmetics; Eye cosmetics; Moisturisers [cosmetics]; Hair cosmetics; Nail cosmetics; Lip cosmetics; Colour cosmetics; Functional cosmetics; Cosmetics preparations; Milks [cosmetics]; Natural cosmetics; Multifunctional cosmetics; Organic cosmetics; Decorative cosmetics; Eyebrow cosmetics; Skincare cosmetics; Mousses [cosmetics]; Cosmetics for suntanning; Nail tips [cosmetics]; Nail hardeners [cosmetics]; Night creams [cosmetics]; Bath powder [cosmetics]; Body creams [cosmetics]; Powder compacts [cosmetics]; Suntan oils [cosmetics]; Sun barriers [cosmetics]; Sun block [cosmetics]; Nail paint [cosmetics]; Suntan lotion [cosmetics]; Nail primer [cosmetics]; Cosmetics containing keratin; Cosmetics containing panthenol; Body gels [cosmetics]; Facial gels [cosmetics]; Fluid creams [cosmetics]; Facial creams [cosmetics]; Tanning preparations [cosmetics]; Beauty care cosmetics; Body care cosmetics; Emollient preparations [cosmetics]; Humectant preparations

[cosmetics]; Smoothing emulsions [cosmetics]; Non-medicated cosmetics; Skin care cosmetics; Cosmetics for animals; Skin fresheners [cosmetics]; Skin masks [cosmetics]; Suntanning oil [cosmetics]; Tanning milks [cosmetics]; Tanning gels [cosmetics]; Tanning oils [cosmetics]; Lip stains [cosmetics]; Cosmetics for children; Nail varnish remover [cosmetics]; Nail polish removers [cosmetics]; Self-tanning preparations [cosmetics]; Powder compact refills [cosmetics]; Nail base coat [cosmetics]; Sun blocking oils [cosmetics]; Sun blocking lipsticks [cosmetics]; Sun protecting creams [cosmetics]; Cosmetics containing hyaluronic acid; Colour cosmetics for children; Sun blocking preparations [cosmetics]; Cosmetics for eye-brows; Cosmetics for eye-lashes; Skin recovery creams [cosmetics]; Cosmetics for personal use; Sun-tanning preparations [cosmetics]; After-sun milk [cosmetics]; After-sun milks [cosmetics]; After-sun oils [cosmetics]; Tissues impregnated with cosmetics; Cosmetics and cosmetic preparations; Colour cosmetics for the eyes; Refill packs for cosmetics dispensers; Body and facial creams [cosmetics]; Body and facial gels [cosmetics]; Liners [cosmetics] for the eyes; Colour cosmetics for the skin; Facial wipes impregnated with cosmetics; Solid powder for compacts [cosmetics]; Skin moisturizers used as cosmetics; Cleaning pads impregnated with cosmetics; Cosmetics in the form of milks; Paper hand towels impregnated with cosmetics; Cosmetics in the form of powders; Cosmetics in the form of oils; Cosmetics in the

form of creams; Cosmetics in the form of gels; Anti-aging moisturizers used as cosmetics; Impregnated cleaning pads impregnated with cosmetics; Cosmetics in the form of rouge; Cosmetics in the form of lotions; Cosmetics for use on the skin; Non-medicated cosmetics and toiletry preparations; Cosmetics for protecting the skin from sunburn; Cosmetics for the treatment of dry skin; Cosmetics in the form of eye shadow; Cosmetics for the use on the hair; Cosmetics all for sale in kit form; Temporary tattoo transfers for use as cosmetics; Pores tightening mask packs used as cosmetics; Glitter in spray form for use as a cosmetics; Cosmetics for use in the treatment of wrinkled skin; Teeth whitening strips impregnated with teeth whitening preparations [cosmetics]; Make-up pads of cotton wool; Make-up primer; Make up foundations; Make-up foundations; Eye make up remover; Powder for make-up; Skin make-up; Eyes make-up; Make up removing preparations; Powder (Make-up -); Make-up for the face; Compacts containing make-up; Cotton puffs impregnated with make-up removing preparations; Make-up kits; Eye make-up; Eye make-up removers; Make-up powder; Make-up; Make-up removing preparations; Make-up preparations; Make-up removers; Make-up for the face and body; Make-up remover; Make-up for compacts; Chalk for make-up; Tissues impregnated with make-up removing preparations; Make-up bases in the form of pastes; Make-up removing milk; Make-up removing milks; Make-up removing lotions; Make-up

pencils; Make-up removing gels; Make-up removing creams; Make-up primers; Foundation make-up; Make-up foundation; Make-up preparations for the face and body.

Gauri Sharma, 2/2 Flat 1, Maclay Residence, 8 Cooperage Place, Glasgow G3 8QP, United Kingdom. Address for service is c/o Gauri Sharma, 2/2 Flat 1, Maclay Residence, 8 Cooperage Place, Glasgow G3 8QP, United Kingdom.

The mark in use is/will be in the colour(s) Black and White

---

## The Artful Caker

**260881** 19 February 2019

Class 30. Cakes.

Cahill, Briarfield Cottage, Killahara, Thurles, Co. Tipperary E41 H0V9, Ireland. Address for service is c/o Cahill, Briarfield Cottage, Killahara, Thurles, Co. Tipperary E41 H0V9, Ireland.



**260882** 16 January 2019

Class 1. Protein [raw material]; Proteins for the food industry; Proteins for use in science; Protein for use in the manufacture of foodstuffs; Protein for food for human consumption [raw material]; Oleic acid for use in the manufacture of soaps; Natural

fertilizers; Mixtures of chemicals and natural materials for use as horticultural fertilizers; Organic fertilizers; Compost [fertilizer]; Compost, manures, fertilizers; Food protein as a raw material; Proteins for use in industry.

Class 3. Soaps for personal use; Hand soaps; Soaps for household use.

Class 4. Lamp oils containing insect repellent; Lamp oil with insect repellent agent; Candle wax.

Class 5. Protein supplements for animals; Nutritional supplements for livestock feed.

Toggam Enterprises Ltd, The Old School House, Kells, Co Meath A82 YF72, Ireland. Address for service is c/o Toggam Enterprises Ltd, C/o Alvan Hunt, The Old School House, Kilsycre, Kells, Co Meath A82 YF72, Ireland.

The mark in use is/will be in the colour Green



**260883** 19 February 2019

Class 35. Financial marketing.

Class 36. Consultancy (Financial -); Financial evaluations; Financial lending; Financial underwriting; Financial advice; Financial affairs; Financial transactions.

Ballinasloe Credit Union, Main Street, Ballinasloe, Co. Galway, Ireland. Address for service is c/o Ballinasloe Credit Union, Main Street, Ballinasloe, Co. Galway, Ireland.

The mark in use is/will be in the colours green and light green



**260884** 22 June 2018

Class 5. Food supplements; Food supplements for veterinary use.

Natra Ltd, Unit 13 Intec 2 Business Park, Wade Road, Basingstoke RG24 8NE, United Kingdom. Address for service is c/o SUZANNE KOSTON, c/o Hanna IP, 58 Howard Street, 4th Floor, Belfast, BT1 6PJ, Northern Ireland, United Kingdom.

The mark in use is/will be in the colour(s) white, Green or Black

### Opposition(s) under Section 43 of the 1996 Act

- 260148** BALLINASLOE CREDIT UNION. Opposition filed 06 May 2019
- 260178** Tim Perkins. Opposition filed 03 May 2019
- 260178** Tim Perkins. Opposition filed 06 May 2019

**260182** GRASSLAND AGRO UNLIMITED COMPANY. Opposition filed 06 May 2019

**260183** GRASSLAND AGRO UNLIMITED COMPANY. Opposition filed 06 May 2019

### Revocation of Trade mark(s) under Section 51 of the Trade Marks Act, 1996

**246807** KILLALOE FOOD PRODUCTS LTD

### Application(s) Amended after Advertisement under the 1996 Act

**259036** Advertised in Journal No: 2362 on 27/06/2018. Specification of goods amended to read: Cl. 29. Milk.

### Application(s) Withdrawn after Advertisement under the 1996 Act

**259887** Emerald SSP

### Trade Marks Registered under the 1996 Act

- 259122** (2363) Cl. 36 41. ActivTrades PLC
- 259323** (2366) Cl. 9. Steve Cullen
- 259799** (2373) Cl. 30. Nando's Chickenland Limited
- 259834** (2373) Cl. 33. INTREPID SPIRITS LIMITED
- 259838** (2373) Cl. 35. com-issio
- 259862** (2373) Cl. 4 35 36 37 39 43. INVER ENERGY LIMITED
- 259869** (2374) Cl. 11. AEA Energy Limited
- 259878** (2374) Cl. 29 30. Absolute Nutrition Ltd
- 259879** (2374) Cl. 29 30. Absolute Nutrition
- 259883** (2374) Cl. 41. Lynsey McCabe
- 259888** (2374) Cl. 35 41. Savvi Partners Limited
- 259889** (2374) Cl. 29. Absolute Nutrition
- 259895** (2374) Cl. 37. JSM KELLY DEVELOPMENTS LTD.

<b>259932</b>	(2374) Cl. 36. Capstone Financial Services LTD	<b>84830</b>	Cl. 25. Keds, LLC
<b>259941</b>	(2374) Cl. 28. Eamon Fennelly	<b>85284</b>	Cl. 34. ROTHMANS OF PALL MALL (IRELAND) LIMITED
<b>259949</b>	(2374) Cl. 33. Viña Carmen S.A.	<b>85526</b>	Cl. 25. Perry Ellis International Europe Limited
<b>259962</b>	(2374) Cl. 33. VIÑA DOÑA PAULA S.A.	<b>85594</b>	Cl. 5. GALEN LIMITED
<b>259996</b>	(2375) Cl. 9. Yi Wang	<b>85795</b>	Cl. 8. Wilkinson Sword GmbH
<b>260029</b>	(2375) Cl. 41. Lucy Moore	<b>86354</b>	Cl. 10. DENTSPLY SIRONA Inc.
<b>260064</b>	(2376) Cl. 39 40. Advanced Environmental Solutions (Ireland) Limited	<b>87336</b>	Cl. 25. Ben Sherman IP Holdings LP
<b>260072</b>	(2376) Cl. 30. Boyne Valley Unlimited Company	<b>92824</b>	Cl. 5. GLAXO GROUP LIMITED
<b>260082</b>	(2376) Cl. 30. Boyne Valley Unlimited Company	<b>93045</b>	Cl. 32. EDGAR RICE BURROUGHS INC.
<b>260088</b>	(2376) Cl. 37. Jamrock Limited	<b>93644</b>	Cl. 12. KABUSHIKI KAISHA KOBE SEIKO SHO (KOBE STEEL LTD.)
<b>260095</b>	(2376) Cl. 5. BESINS HEALTHCARE LUXEMBOURG S.A.R.L	<b>97088</b>	Cl. 5. THE PROCTER & GAMBLE COMPANY
<b>260101</b>	(2376) Cl. 4 7 9 11 16 35 36 37 38 39 40 41 42. SSE plc	<b>99323</b>	Cl. 25. ACUSHNET COMPANY
<b>260102</b>	(2376) Cl. 7 9 11. GLEN DIMPLEX IRELAND	<b>99503</b>	Cl. 25. adidas AG
<b>260104</b>	(2376) Cl. 36. Tinteán Housing Association Company Limited by Guarantee.	<b>106073</b>	Cl. 12. Iveco S.p.A.
<b>260109</b>	(2376) Cl. 29. Moy Park Limited	<b>126696</b>	Cl. 5. ViiV Healthcare UK Limited
<b>260110</b>	(2376) Cl. 37 42. THERMATIC MAINTENANCE LIMITED	<b>127265</b>	Cl. 5. JOHNSON & JOHNSON
<b>260115</b>	(2376) Cl. 35 41. Anthony John Palmer	<b>127429</b>	Cl. 25. GILMAR S.p.A.
<b>260120</b>	(2377) Cl. 9 37 45. Network Security	<b>128436</b>	Cl. 1. BK Giuliani GmbH
<b>260130</b>	(2377) Cl. 29. ODAIOS LIMITED	<b>128437</b>	Cl. 30. BK Giuliani GmbH
<b>260131</b>	(2377) Cl. 43. Bruno Coppola	<b>128734</b>	Cl. 33. BORCO-MARKEN-IMPORT MATTHIESEN & CO. KG.
<b>260139</b>	(2377) Cl. 3. L'OREAL	<b>128925</b>	Cl. 12. Hino Jidosha Kabushiki Kaisha (also trading as Hino Motors, Ltd.)
		<b>128935</b>	Cl. 16. Sappho Limited
		<b>129424</b>	Cl. 2. PPG Architectural Coatings Ireland Limited
		<b>129456</b>	Cl. 9. COLUMBIA PICTURES INDUSTRIES, INC.
		<b>129934</b>	Cl. 5. PHARMA-ZENTRALE GmbH
		<b>130217</b>	Cl. 7. MAGNETEK, INC.
		<b>130625</b>	Cl. 4. ZIPPO MANUFACTURING COMPANY
		<b>130642</b>	Cl. 25. RIVER ISLAND CLOTHING CO. LIMITED
		<b>130795</b>	Cl. 16. EDDING AKTIENGESELLSCHAFT
		<b>130829</b>	Cl. 9. CANON KABUSHIKI KAISHA
		<b>131647</b>	Cl. 3. Essity Hygiene and Health Aktiebolag
		<b>131648</b>	Cl. 16. Essity Hygiene and Health Aktiebolag
		<b>134299</b>	Cl. 29. COPESCO & SEFRISA, S.A.
		<b>134631</b>	Cl. 1. FMC BioPolymer AS
		<b>134950</b>	Cl. 9. Eircom Limited
		<b>134954</b>	Cl. 9. Eircom Limited
		<b>135684</b>	Cl. 3. GILMAR S.P.A.
		<b>135685</b>	Cl. 9. GILMAR S.P.A.
		<b>135686</b>	Cl. 14. GILMAR S.P.A.
		<b>135687</b>	Cl. 18. GILMAR S.P.A.
		<b>135688</b>	Cl. 25. GILMAR S.p.A.
		<b>135700</b>	Cl. 9. GILMAR S.p.A.
		<b>135701</b>	Cl. 14. ICE IP S.A.

## Renewal of Registrations Under Section 48 of the 1996 Act

<b>31116</b>	Cl. 8. Aesculap AG
<b>31117</b>	Cl. 10. Aesculap AG
<b>40755</b>	Cl. 23, Cl. 26. DMC
<b>55799</b>	Cl. 30. PEZ INTERNATIONAL AG
<b>56413</b>	Cl. 30. C. CLIFFORD & SONS LIMITED
<b>59356</b>	Cl. 30. OATFIELD CONFECTIONERY LIMITED
<b>59839</b>	Cl. 4. EXXON MOBIL CORPORATION
<b>67044</b>	Cl. 6. MEDIC ALERT FOUNDATION UNITED STATES INC.
<b>67217</b>	Cl. 5. Bayer Pharma AG
<b>68725</b>	Cl. 3, Cl. 5. PROCTER & GAMBLE HOLDING GMBH
<b>68727</b>	Cl. 3, Cl. 5. PROCTER & GAMBLE HOLDING GMBH
<b>83844</b>	Cl. 28. BALZER GmbH
<b>84339</b>	Cl. 5. Bayer Intellectual Property GmbH



<b>135702</b>	Cl. 18. GILMAR S.p.A.	<b>153784</b>	Cl. 25. DOUGLAS & GRAHAME LIMITED
<b>135703</b>	Cl. 25. GILMAR S.p.A.	<b>153872</b>	Cl. 5. CHUGAI SEIYAKU KABUSHIKI KAISHA (CHUGAI PHARMACEUTICAL CO., LTD.)
<b>142740</b>	Cl. 25. Keds, LLC	<b>154057</b>	Cl. 16. THE ECONOMIST NEWSPAPER LIMITED
<b>142741</b>	Cl. 25. Keds, LLC	<b>154436</b>	Cl. 25, Cl. 28. A.G. THOMPSON PROPRIETARY LIMITED
<b>147371</b>	Cl. 14. SANDGATE LTD	<b>154438</b>	Cl. 25, Cl. 28. A.G. THOMPSON PROPRIETARY LIMITED
<b>147699</b>	Cl. 28. MAXIMA MANUFACTURING COMPANY MEINEL VERWALTUNGS-KG	<b>154440</b>	Cl. 25, Cl. 28. A.G. THOMPSON PROPRIETARY LIMITED
<b>147703</b>	Cl. 5. GALEN LIMITED	<b>155379</b>	Cl. 25. HBI Branded Apparel Limited, Inc.
<b>147828</b>	Cl. 28. MAXIMA MANUFACTURING COMPANY MEINEL VERWALTUNGS-KG	<b>155563</b>	Cl. 7. ARI-ARMATUREN ALBERT RICHTER GmbH & Co. KG.
<b>148015</b>	Cl. 1. Akzo Nobel Paints LLC	<b>157673</b>	Cl. 25. Perry Ellis International Europe Limited
<b>148032</b>	Cl. 30. August Storck KG	<b>157704</b>	Cl. 16. THE ECONOMIST NEWSPAPER LIMITED
<b>148323</b>	Cl. 1. E.I. du Pont de Nemours & Company	<b>157705</b>	Cl. 16. THE ECONOMIST NEWSPAPER LIMITED
<b>148558</b>	Cl. 25. Warehouse Fashions Limited	<b>162702</b>	Cl. 9. KABUSHIKI KAISHA TOPCON
<b>148569</b>	Cl. 1. ROQUETTE FRERES	<b>168469</b>	Cl. 9. MICROSOFT CORPORATION
<b>148780</b>	Cl. 9. The Codemasters Software Company Limited	<b>168470</b>	Cl. 16. MICROSOFT CORPORATION
<b>148908</b>	Cl. 9. Apple Inc.	<b>210861</b>	Cl. 33. AGE International, Inc.
<b>149127</b>	Cl. 33. SOCIETE CIVILE AGRICOLE CHATEAU MARGAUX	<b>212778</b>	Cl. 7. General Motors LLC
<b>149172</b>	Cl. 4. The Lubrizol Corporation	<b>213167</b>	Cl. 33. VIÑA CARMEN S.A.
<b>149214</b>	Cl. 7, Cl. 9, Cl. 11. BEKO PLC	<b>213169</b>	Cl. 3. Procter & Gamble International Operations S.A.
<b>149220</b>	Cl. 28. The Codemasters Software Company Limited	<b>213378</b>	Cl. 3. PARFUMS CHRISTIAN DIOR
<b>149709</b>	Cl. 3. Alticor Inc	<b>213394</b>	Cl. 8. The Gillette Company LLC
<b>149710</b>	Cl. 21. ALTICOR INC.	<b>213534</b>	Cl. 2. AKZO NOBEL COATINGS INTERNATIONAL B.V.
<b>149892</b>	Cl. 9, Cl. 16. THE ECONOMIST NEWSPAPER LIMITED	<b>213540</b>	Cl. 2. AKZO NOBEL COATINGS INTERNATIONAL B.V.
<b>149991</b>	Cl. 11. Trane International Inc.	<b>213701</b>	Cl. 5. BGP Products B.V.
<b>150339</b>	Cl. 32. NICHOLS PLC	<b>213723</b>	Cl. 3. L'OREAL
<b>150472</b>	Cl. 5. GALEN LIMITED	<b>213730</b>	Cl. 2. AKZO NOBEL COATINGS INTERNATIONAL B.V.
<b>150842</b>	Cl. 3. Procter & Gamble International Operations S.A.	<b>213763</b>	Cl. 16, Cl. 35, Cl. 39, Cl. 41. The Institute of Travel Management
<b>150954</b>	Cl. 25. HBI Branded Apparel Limited, Inc.	<b>213800</b>	Cl. 5. Phoenix Labs Unlimited Company
<b>151319</b>	Cl. 16. THE ECONOMIST NEWSPAPER LIMITED	<b>213848</b>	Cl. 36, Cl. 42. E*TRADE Securities, Inc.
<b>151727</b>	Cl. 3. THE PROCTER & GAMBLE COMPANY	<b>213928</b>	Cl. 2. AKZO NOBEL COATINGS INTERNATIONAL B.V.
<b>151916</b>	Cl. 25, Cl. 28. A.G. THOMPSON PROPRIETARY LIMITED	<b>214256</b>	Cl. 12, Cl. 37. General Motors LLC
<b>151961</b>	Cl. 29. AARHUSKARLSHAMN UK LIMITED	<b>214273</b>	Cl. 1. TARGET FERTILISERS LIMITED
<b>152086</b>	Cl. 14. SANDGATE LTD	<b>214438</b>	Cl. 25. TRADITIONAL CRAFT LIMITED
<b>152486</b>	Cl. 3. THE PROCTER & GAMBLE COMPANY	<b>214519</b>	Cl. 2. AKZO NOBEL COATINGS INTERNATIONAL B.V.
<b>152854</b>	Cl. 16. WESTERN UNION HOLDINGS, INC.	<b>214521</b>	Cl. 2. AKZO NOBEL COATINGS INTERNATIONAL B.V.
<b>152878</b>	Cl. 31. SEED TECHNOLOGY LIMITED	<b>214653</b>	Cl. 29, Cl. 30. ARCOR S.A.I.C.
<b>153373</b>	Cl. 3. L'OREAL		
<b>153727</b>	Cl. 9. THE ECONOMIST NEWSPAPER LIMITED		

<b>214672</b>	Cl. 42. Shane Donnelly	<b>241873</b>	Cl. 4, Cl. 6, Cl. 16, Cl. 20, Cl. 24, Cl. 25, Cl. 26, Cl. 28, Cl. 29, Cl. 30, Cl. 39, Cl. 41. BELFAST DISTILLERY LIMITED
<b>214729</b>	Cl. 25. FORTUNATO O FREDERICO CA LDA	<b>241917</b>	Cl. 25, Cl. 35. Glentawn Investments
<b>214736</b>	Cl. 29, Cl. 30, Cl. 31. WIESENHOF GEFLUGEL-KONTOR GmbH	<b>242475</b>	Cl. 36. DINERS CLUB INTERNATIONAL LTD.
<b>214813</b>	Cl. 9. BUFFALO INC	<b>242518</b>	Cl. 5. GENERAL NUTRITION INVESTMENT COMPANY
<b>214867</b>	Cl. 10, Cl. 20. Kayfoam Woolfson	<b>242521</b>	Cl. 5. GENERAL NUTRITION INVESTMENT COMPANY
<b>214882</b>	Cl. 5. ROTTAPHARM LTD.	<b>242522</b>	Cl. 5. GENERAL NUTRITION INVESTMENT COMPANY
<b>214942</b>	Cl. 42. SOLVIAS AG	<b>242704</b>	Cl. 35. GENERAL NUTRITION INVESTMENT COMPANY
<b>215056</b>	Cl. 5. ROTTAPHARM LTD.	<b>242705</b>	Cl. 5, Cl. 35. GENERAL NUTRITION INVESTMENT COMPANY
<b>215083</b>	Cl. 3. VICTORIA'S SECRET STORES BRAND MANAGEMENT, INC.	<b>242706</b>	Cl. 35. GENERAL NUTRITION INVESTMENT COMPANY
<b>215101</b>	Cl. 9, Cl. 10. Aesculap AG	<b>242929</b>	Cl. 35. BRIAN HANAFIN
<b>215260</b>	Cl. 9. Hager SE	<b>243253</b>	Cl. 16, Cl. 36, Cl. 41, Cl. 42, Cl. 44. IRISH CANCER SOCIETY
<b>215325</b>	Cl. 29. Breeo Brands Limited	<b>244201</b>	Cl. 9, Cl. 16, Cl. 35, Cl. 36. TSC Ventures DAC
<b>215328</b>	Cl. 16, Cl. 36, Cl. 39. SCHOLASTIC INC.	<b>246367</b>	Cl. 5. IMRAN HUSSAIN, RIZWANA HUSSAIN, MAARIAH HUSSAIN, DANYAAL HUSSAIN and ZAHRA HUSSAIN
<b>215372</b>	Cl. 42. WebMD LLC	<b>247388</b>	Cl. 30. OATFIELD CONFECTIONERY LIMITED
<b>215425</b>	Cl. 25. BIRKI SCHUH GmbH		
<b>215434</b>	Cl. 20. KAYFOAM WOOLFSON LIMITED		
<b>215585</b>	Cl. 35, Cl. 36, Cl. 37. WÜSTENROT HOLDING AG		
<b>215748</b>	Cl. 2. AKZO NOBEL COATINGS INTERNATIONAL B.V.		
<b>216039</b>	Cl. 16, Cl. 18, Cl. 25, Cl. 39. BUS ATHA CLIATH/DUBLIN BUS		
<b>216042</b>	Cl. 5, Cl. 10. ROTTAPHARM LTD.		
<b>216085</b>	Cl. 6, Cl. 37. DUNREIDY ENGINEERING LTD		
<b>217633</b>	Cl. 21. WHIRLPOOL PROPERTIES, INC.		
<b>217788</b>	Cl. 36, Cl. 42. E*TRADE Securities, Inc.		
<b>218135</b>	Cl. 16. edding Aktiengesellschaft		
<b>220989</b>	Cl. 16, Cl. 18, Cl. 25, Cl. 39. BUS ATHA CLIATH/DUBLIN BUS		
<b>222062</b>	Cl. 9. Telecom Italia S.p.A.		
<b>226143</b>	Cl. 2, Cl. 6, Cl. 8, Cl. 16, Cl. 19, Cl. 20, Cl. 27, Cl. 35. Associated Hardware Public Limited Company.	<b>35000</b>	Cl. 5. 30 March 2019. Intervet Inc.
<b>226144</b>	Cl. 2, Cl. 6, Cl. 8, Cl. 16, Cl. 19, Cl. 20, Cl. 27, Cl. 35. Associated Hardware Public Limited Company.	<b>55507</b>	Cl. 5. 03 March 2019. GLAXO GROUP LIMITED
<b>226491</b>	Cl. 25. Dansko, LLC	<b>55540</b>	Cl. 31. 12 March 2019. PFIZER INC.
<b>241444</b>	Cl. 30. ODLUM GROUP	<b>59320</b>	Cl. 33. 20 March 2019. UNITED DISTILLERS MANUFACTURING, INC.
<b>241484</b>	Cl. 1, Cl. 4, Cl. 11. GASCO EUROPE, IN BANKRUPTCY, REPRESENTED BY THE OFFICIAL RECEIVER JOHAN GHEKIERE	<b>59779</b>	Cl. 7, Cl. 11. 03 March 2019. LURGI AG
<b>241485</b>	Cl. 1, Cl. 4, Cl. 11. GASCO EUROPE, IN BANKRUPTCY, REPRESENTED BY THE OFFICIAL RECEIVER JOHAN GHEKIERE	<b>60842</b>	Cl. 34. 06 March 2019. Philip Morris Products SA.
<b>241525</b>	Cl. 35. ARNOTTS LIMITED	<b>68203</b>	Cl. 9. 31 March 2019. ASSOCIATED ELECTRICAL INDUSTRIES LIMITED
<b>241660</b>	Cl. 12. KIA MOTORS CORPORATION	<b>83728</b>	Cl. 30. 03 March 2019. CADBURY UK LIMITED
		<b>83817</b>	Cl. 32. 10 March 2019. JOHN DALY & CO. LTD.
		<b>84305</b>	Cl. 32. 04 March 2019. JOHN DALY & CO. LTD.

### Renewal Fees unpaid at date of expiry of Registration or renewal thereof - Rule 39(1) of the 1996 Rules

<b>84376</b>	Cl. 16. 04 March 2019. AVERY DENNISON CORPORATION	<b>125807</b>	Cl. 9. 28 March 2019. METZ-WERKE GMBH & CO. kG.
<b>85171</b>	Cl. 3. 04 March 2019. INSTITUT JEANNE PIAUBERT	<b>126080</b>	Cl. 1. 14 March 2019. DSM IP Assets B.V.
<b>85379</b>	Cl. 5. 07 March 2019. ALLIANCE PHARMACEUTICALS LIMITED	<b>126084</b>	Cl. 10. 20 March 2019. Sanofi-Aventis Deutschland GmbH
<b>87566</b>	Cl. 28. 13 March 2019. AMERICAN SPORTS LICENSING, INC.	<b>126087</b>	Cl. 25. 27 March 2019. FREED OF LONDON LIMITED
<b>93418</b>	Cl. 1, Cl. 5. 12 March 2019. ELASTOGRAN POLYURETHANE GmbH	<b>126247</b>	Cl. 16. 06 March 2019. High Voltage Graphics, Inc.
<b>93622</b>	Cl. 17. 13 March 2019. ElringKlinger AG	<b>126376</b>	Cl. 6. 28 March 2019. Doorfix Ltd
<b>93724</b>	Cl. 5. 07 March 2019. BOEHRINGER INGELHEIM PHARMA GMBH & CO. KG	<b>126536</b>	Cl. 9. 20 March 2019. GROVENDALE LLC
<b>95121</b>	Cl. 33. 15 March 2019. Constellation Europe Limited	<b>126813</b>	Cl. 9. 28 March 2019. Welk Music Group, Inc
<b>95545</b>	Cl. 12. 19 March 2019. ROMEO-RIM INC	<b>126816</b>	Cl. 3. 30 March 2019. L'OREAL
<b>96341</b>	Cl. 16. 28 March 2019. PRONTAPRINT LIMITED	<b>126954</b>	Cl. 5. 14 March 2019. Nestlé Skin Health S.A.
<b>96344</b>	Cl. 4. 06 March 2019. AUSIMONT S.P.A.	<b>127246</b>	Cl. 25. 24 March 2019. KERRY ROSE FESTIVAL LIMITED
<b>96345</b>	Cl. 1. 06 March 2019. AUSIMONT S.P.A.	<b>127521</b>	Cl. 21. 09 March 2019. THE PORCELAIN AND FINE CHINA COMPANIES LIMITED
<b>97512</b>	Cl. 32. 30 March 2019. CAPRI SUN AG	<b>127531</b>	Cl. 11. 29 March 2019. Riello S.p.A.
<b>98275</b>	Cl. 33. 29 March 2019. MIGUEL TORRES, S.A.	<b>127555</b>	Cl. 25. 23 March 2019. cavita fashion GmbH
<b>98477</b>	Cl. 1. 12 March 2019. BAXTER INTERNATIONAL INC.	<b>127672</b>	Cl. 1. 21 March 2019. Cabot Corporation
<b>99702</b>	Cl. 12. 09 March 2019. Quinton Hazell Automotive Limited	<b>127770</b>	Cl. 12. 28 March 2019. RENAULT s.a.s.
<b>100075</b>	Cl. 28. 13 March 2019. WILSON SPORTING GOODS CO.	<b>128039</b>	Cl. 21. 14 March 2019. THE CLOROX COMPANY
<b>100716</b>	Cl. 17. 13 March 2019. ElringKlinger AG	<b>128168</b>	Cl. 12. 28 March 2019. RENAULT s.a.s.
<b>111380</b>	Cl. 9. 19 March 2019. Hewlett Packard Enterprise Development LP	<b>128267</b>	Cl. 19. 06 March 2019. Icopal Danmark A/S
<b>125368</b>	Cl. 21. 09 March 2019. COUGHLAN WATERFORD LIMITED also PENROSE GLASS.	<b>128276</b>	Cl. 5. 27 March 2019. Johnson & Johnson
<b>125504</b>	Cl. 5. 30 March 2019. BRISTOL-MYERS SQUIBB PHARMA COMPANY	<b>128646</b>	Cl. 9. 09 March 2019. Lantiq Deutschland GmbH
<b>125509</b>	Cl. 5. 10 March 2019. HELSINN BIREX PHARMACEUTICALS LIMITED	<b>128823</b>	Cl. 3. 17 March 2019. L'OREAL
<b>125515</b>	Cl. 5. 17 March 2019. PARKE, DAVIS & COMPANY LLC	<b>129021</b>	Cl. 32. 17 March 2019. Lion - Beer, Spirit & Wine Pty Ltd
<b>125519</b>	Cl. 5. 27 March 2019. Johnson & Johnson	<b>129023</b>	Cl. 3. 27 March 2019. Vivalis Limited
<b>125795</b>	Cl. 29. 10 March 2019. PLATTER FOODS LIMITED	<b>129340</b>	Cl. 12. 28 March 2019. RENAULT s.a.s.
<b>125796</b>	Cl. 30. 10 March 2019. PLATTER FOODS LIMITED	<b>129616</b>	Cl. 2. 15 March 2019. Akzo Nobel Coatings International B.V.
<b>125806</b>	Cl. 9. 27 March 2019. MARCOLIN S.p.A.	<b>129853</b>	Cl. 12. 14 March 2019. SOCIETE DE TRANSFORMATION DES MATIERES PLASTIQUES (SOCIETE ANONYME)
		<b>129854</b>	Cl. 18. 14 March 2019. SOCIETE DE TRANSFORMATION DES MATIERES PLASTIQUES (SOCIETE ANONYME)
		<b>129855</b>	Cl. 20. 14 March 2019. SOCIETE DE TRANSFORMATION DES MATIERES PLASTIQUES (SOCIETE ANONYME)
		<b>129856</b>	Cl. 21. 14 March 2019. SOCIETE DE TRANSFORMATION DES MATIERES PLASTIQUES (SOCIETE ANONYME)

<b>130480</b>	Cl. 29. 10 March 2019. Glanbia Ireland Designated Activity Company	<b>147446</b>	Cl. 5. 12 March 2019. Janssen Biotech, Inc.
<b>130481</b>	Cl. 30. 10 March 2019. Glanbia Ireland Designated Activity Company	<b>147744</b>	Cl. 4. 31 March 2019. BP p.l.c.
<b>132829</b>	Cl. 5. 08 March 2019. Merck Sharp & Dohme Corp.	<b>147929</b>	Cl. 5. 31 March 2019. DECHRA LIMITED
<b>132832</b>	Cl. 29. 03 March 2019. KNORR-NAHRMITTEL AKTIENGESELLSCHAFT	<b>147969</b>	Cl. 5. 23 March 2019. Electrium Sales Limited
<b>132833</b>	Cl. 30. 03 March 2019. KNORR-NAHRMITTEL AKTIENGESELLSCHAFT	<b>148412</b>	Cl. 6. 09 March 2019. HUNTER DOUGLAS INDUSTRIES SWITZERLAND GMBH
<b>133291</b>	Cl. 3. 21 March 2019. FCA US LLC	<b>148413</b>	Cl. 20. 09 March 2019. HUNTER DOUGLAS INDUSTRIES SWITZERLAND GMBH
<b>133292</b>	Cl. 7. 21 March 2019. FCA US LLC	<b>148414</b>	Cl. 24. 09 March 2019. HUNTER DOUGLAS INDUSTRIES SWITZERLAND GMBH
<b>133293</b>	Cl. 8. 21 March 2019. FCA US LLC	<b>148545</b>	Cl. 30. 24 March 2019. BARRY CALLEBAUT AG
<b>133294</b>	Cl. 9. 21 March 2019. FCA US LLC	<b>148832</b>	Cl. 28. 05 March 2019. GEOBRA BRANDSTÄTTER GmbH & CO KG
<b>133295</b>	Cl. 11. 21 March 2019. FCA US LLC	<b>148850</b>	Cl. 9. 30 March 2019. A.D.A.M., INC.
<b>133296</b>	Cl. 14. 21 March 2019. FCA US LLC	<b>148931</b>	Cl. 3. 08 March 2019. NOXELL CORPORATION
<b>133297</b>	Cl. 18. 21 March 2019. FCA US LLC	<b>148937</b>	Cl. 7. 10 March 2019. INSITUFORM HOLDINGS (UK) LIMITED
<b>133298</b>	Cl. 20. 21 March 2019. FCA US LLC	<b>149046</b>	Cl. 24. 30 March 2019. FILLATTICE S.P.A.
<b>133299</b>	Cl. 21. 21 March 2019. FCA US LLC	<b>149210</b>	Cl. 30. 18 March 2019. UNILEVER PLC
<b>133300</b>	Cl. 22. 21 March 2019. FCA US LLC	<b>149315</b>	Cl. 25. 12 March 2019. EL CORTE INGLES, S.A.
<b>133301</b>	Cl. 24. 21 March 2019. FCA US LLC	<b>149937</b>	Cl. 9. 11 March 2019. KYOCERA CORPORATION
<b>133302</b>	Cl. 25. 21 March 2019. FCA US LLC	<b>150852</b>	Cl. 25. 02 March 2019. SARA LEE B.A. B.V.
<b>133303</b>	Cl. 26. 21 March 2019. FCA US LLC	<b>151166</b>	Cl. 5. 11 March 2019. Orkla ASA
<b>133304</b>	Cl. 28. 21 March 2019. FCA US LLC	<b>151839</b>	Cl. 19. 22 March 2019. PILKINGTON'S TILES LIMITED
<b>133305</b>	Cl. 34. 21 March 2019. FCA US LLC	<b>152139</b>	Cl. 10. 18 March 2019. Carestream Health, Inc.
<b>134480</b>	Cl. 3. 17 March 2019. S. C. JOHNSON & SON, INC.	<b>152315</b>	Cl. 30. 23 March 2019. COLUSSI S.p.A.
<b>137715</b>	Cl. 9. 28 March 2019. G INTERNATIONAL, INC.	<b>152383</b>	Cl. 24. 15 March 2019. Manifattura Lane Gaetano Marzotto & Figli S.p.A.
<b>137716</b>	Cl. 16. 28 March 2019. G INTERNATIONAL, INC.	<b>153028</b>	Cl. 4. 24 March 2019. BP p.l.c.
<b>140201</b>	Cl. 1, Cl. 5, Cl. 7, Cl. 9, Cl. 10, Cl. 11, Cl. 16, Cl. 25. 27 March 2019. OLYMPUS EUROPA GMBH	<b>153029</b>	Cl. 9. 24 March 2019. BP p.l.c.
<b>141502</b>	Cl. 6. 17 March 2019. ELEMENT-SYSTEM RUDOLF BOHNACKER GmbH	<b>153030</b>	Cl. 16. 24 March 2019. BP p.l.c.
<b>141503</b>	Cl. 20. 17 March 2019. ELEMENT-SYSTEM RUDOLF BOHNACKER GmbH	<b>153248</b>	Cl. 5. 26 March 2019. GLAXO GROUP LIMITED
<b>146486</b>	Cl. 5. 08 March 2019. Reckitt & Colman (Overseas) Limited	<b>153471</b>	Cl. 25. 22 March 2019. KLAUS STEILMANN GmbH & Co. KG
<b>146487</b>	Cl. 5. 08 March 2019. JUVA	<b>153481</b>	Cl. 19. 31 March 2019. PROFILE DEVELOPMENTS LTD.
<b>146489</b>	Cl. 5. 10 March 2019. STADA ARZNEIMITTEL AG	<b>153510</b>	Cl. 30. 23 March 2019. FERRERO S.p.A.
<b>146983</b>	Cl. 19. 02 March 2019. Newell Investments, Inc.	<b>153660</b>	Cl. 33. 23 March 2019. Corby Spirit & Wine Limited
<b>146984</b>	Cl. 31. 03 March 2019. J.S. AGRITECH LTD.		
<b>146985</b>	Cl. 5. 03 March 2019. J.S. AGRITECH LTD.		
<b>147239</b>	Cl. 20. 09 March 2019. BODYCARE, S.A.		
<b>147329</b>	Cl. 5. 24 March 2019. Norton Healthcare Limited		

<b>153759</b>	Cl. 11. 19 March 2019. COLT INTERNATIONAL LICENSING LIMITED	<b>211782</b>	Cl. 3. 23 March 2019. Skincode AG
<b>153866</b>	Cl. 7. 24 March 2019. ACC Compressors S.p.A.	<b>211807</b>	Cl. 5. 02 March 2019. Bristol-Myers Squibb Company
<b>153867</b>	Cl. 9. 24 March 2019. ACC Compressors S.p.A.	<b>212047</b>	Cl. 29. 07 March 2019. Upfield Spreads UK Limited
<b>153972</b>	Cl. 29, Cl. 30. 31 March 2019. Kerry Luxembourg S.à.r.l.	<b>212081</b>	Cl. 12. 04 March 2019. SEAT S.A.
<b>154431</b>	Cl. 3. 03 March 2019. UNILEVER PLC	<b>212113</b>	Cl. 33. 28 March 2019. IRISH DISTILLERS LIMITED
<b>154552</b>	Cl. 29. 02 March 2019. SOPARIND	<b>212141</b>	Cl. 9. 10 March 2019. NEC PERSONAL COMPUTERS, LTD.
<b>154564</b>	Cl. 29, Cl. 30, Cl. 31, Cl. 32. 04 March 2019. UNI-PRESIDENT ENTERPRISES CORP.	<b>212168</b>	Cl. 16. 11 March 2019. UNIQUE MEDIA, INC.
<b>154651</b>	Cl. 7. 01 March 2019. ROBBINS & MYERS, INC.	<b>212170</b>	Cl. 5. 15 March 2019. GINSANA S.A.
<b>154660</b>	Cl. 16. 05 March 2019. EURIMAGE HOLDING A/S	<b>212172</b>	Cl. 10. 18 March 2019. Teleflex Life Sciences
<b>156042</b>	Cl. 9, Cl. 16. 31 March 2019. ROUTEX B.V.	<b>212173</b>	Cl. 3. 21 March 2019. Henkel AG & Co. KGaA
<b>156393</b>	Cl. 3. 12 March 2019. L'OREAL	<b>212188</b>	Cl. 1. 09 March 2019. Cognis IP Management GmbH
<b>156450</b>	Cl. 21. 19 March 2019. SHANGHAI LIGHT INDUSTRIAL PRODUCTS IMPORT & EXPORT CORPORATION	<b>212189</b>	Cl. 5. 10 March 2019. APOTEX INC.
<b>157672</b>	Cl. 30. 23 March 2019. COLUSSI S.p.A.	<b>212202</b>	Cl. 9. 07 March 2019. SOYO ENTERPRISE LIMITED
<b>158037</b>	Cl. 1, Cl. 17, Cl. 19. 16 March 2019. Total Petrochemicals & Refining SA/NV	<b>212204</b>	Cl. 29. 15 March 2019. Ferrari G. Industria Casearia S.p.A.
<b>158615</b>	Cl. 3. 12 March 2019. EL CORTE INGLES, S.A.	<b>212220</b>	Cl. 10. 21 March 2019. AMS RESEARCH CORPORATION
<b>159985</b>	Cl. 34. 22 March 2019. IMPERIAL TOBACCO LIMITED	<b>212222</b>	Cl. 34. 22 March 2019. DUNHILL TOBACCO OF LONDON LIMITED
<b>159986</b>	Cl. 34. 22 March 2019. IMPERIAL TOBACCO LIMITED	<b>212263</b>	Cl. 5. 02 March 2019. Bristol-Myers Squibb Company
<b>159988</b>	Cl. 34. 22 March 2019. IMPERIAL TOBACCO LIMITED	<b>212292</b>	Cl. 32. 03 March 2019. InBev Belgium SPRL
<b>159989</b>	Cl. 34. 22 March 2019. IMPERIAL TOBACCO LIMITED	<b>212293</b>	Cl. 31. 03 March 2019. DE GROOT INTERNATIONAL B.V.
<b>161004</b>	Cl. 16, Cl. 25, Cl. 28. 29 March 2019. NBA PROPERTIES, INC.	<b>212297</b>	Cl. 9. 14 March 2019. Fujitsu Services Limited
<b>161070</b>	Cl. 16, Cl. 25, Cl. 28. 29 March 2019. NBA PROPERTIES, INC.	<b>212322</b>	Cl. 9, Cl. 41. 22 March 2019. Paramount Pictures Corporation
<b>161073</b>	Cl. 16, Cl. 25, Cl. 28. 29 March 2019. NBA PROPERTIES, INC.	<b>212323</b>	Cl. 5. 23 March 2019. Pfizer Products Inc.
<b>161082</b>	Cl. 1. 17 March 2019. Henkel IP & Holding GmbH	<b>212350</b>	Cl. 3. 03 March 2019. Procter & Gamble International Operations S.A.
<b>161083</b>	Cl. 1. 17 March 2019. Henkel IP & Holding GmbH	<b>212351</b>	Cl. 9, Cl. 38. 11 March 2019. O2 Communications (Ireland) Ltd.
<b>161084</b>	Cl. 1. 17 March 2019. Henkel IP & Holding GmbH	<b>212354</b>	Cl. 9. 17 March 2019. Hewlett Packard Enterprise Development LP
<b>161100</b>	Cl. 1. 17 March 2019. Henkel IP & Holding GmbH	<b>212357</b>	Cl. 5. 21 March 2019. Biofarma
<b>161103</b>	Cl. 1. 17 March 2019. Henkel IP & Holding GmbH	<b>212361</b>	Cl. 5. 29 March 2019. Merck Selbstmedikation GmbH
<b>173848</b>	Cl. 4. 24 March 2019. CASTROL LIMITED	<b>212362</b>	Cl. 30. 30 March 2019. WM. WRIGLEY JR. COMPANY
<b>211781</b>	Cl. 11. 22 March 2019. LEDVANCE GmbH	<b>212363</b>	Cl. 30. 30 March 2019. WM. WRIGLEY JR. COMPANY
		<b>212393</b>	Cl. 42. 14 March 2019. Realm Communications Limited
		<b>212419</b>	Cl. 1, Cl. 5. 17 March 2019. Archimica GmbH

<b>212431</b>	Cl. 10. 28 March 2019. BIODOME	<b>213967</b>	Cl. 3. 10 March 2019. LONDON KILT INC.
<b>212446</b>	Cl. 9, Cl. 16, Cl. 18, Cl. 25, Cl. 38, Cl. 41. 01 March 2019. Waterford Corporation	<b>214229</b>	Cl. 30. 02 March 2019. UNILEVER PLC
<b>212530</b>	Cl. 5. 23 March 2019. Pfizer Products Inc.	<b>214278</b>	Cl. 16, Cl. 41, Cl. 42. 25 March 2019. HEALTH SERVICE EXECUTIVE
<b>212637</b>	Cl. 42. 07 March 2019. John M. Shanahan	<b>214383</b>	Cl. 3. 18 March 2019. Henkel AG & Co. KGaA
<b>212802</b>	Cl. 5. 17 March 2019. Wyeth LLC	<b>214632</b>	Cl. 32. 01 March 2019. Britvic Ireland Limited
<b>212885</b>	Cl. 29. 23 March 2019. COMPAGNIE GERVAIS DANONE	<b>214633</b>	Cl. 32. 01 March 2019. Britvic Ireland Limited
<b>212926</b>	Cl. 29, Cl. 30. 25 March 2019. Pauly Gmbh & Co. Friedrichsdorfer Zwieback- und Nahrungsmittelwerke KG	<b>215031</b>	Cl. 5. 24 March 2019. Yamanouchi Pharmaceutical Co., Ltd
<b>212939</b>	Cl. 32. 22 March 2019. HOLSTEN-BRAUEREI AG	<b>215050</b>	Cl. 41. 11 March 2019. BERLITZ INVESTMENT CORPORATION
<b>212976</b>	Cl. 1. 29 March 2019. Carestream Health, Inc	<b>215133</b>	Cl. 9, Cl. 41. 25 March 2019. Xtra-Vision Limited
<b>213185</b>	Cl. 6, Cl. 11. 04 March 2019. VERO DUCO N.V.	<b>215319</b>	Cl. 5. 17 March 2019. Grether AG
<b>213187</b>	Cl. 5. 04 March 2019. KRKA, TOVARNA ZDRAVIL, D.D.	<b>215329</b>	Cl. 35, Cl. 39, Cl. 42. 23 March 2019. Gulliver InfoRes Services Ltd
<b>213195</b>	Cl. 41. 21 March 2019. Paramount Pictures Corporation	<b>215546</b>	Cl. 9, Cl. 41. 25 March 2019. XTRA-VISION LIMITED
<b>213196</b>	Cl. 9, Cl. 41. 22 March 2019. Paramount Pictures Corporation	<b>215839</b>	Cl. 5. 15 March 2019. Dow AgroSciences LLC
<b>213271</b>	Cl. 35. 10 March 2019. AXEL JOHNSON AB	<b>215847</b>	Cl. 9, Cl. 16, Cl. 41. 18 March 2019. CERT LIMITED
<b>213280</b>	Cl. 5. 29 March 2019. MERCK SHARP & DOHME B.V.	<b>216256</b>	Cl. 3. 02 March 2019. INTER PARFUMS (SUISSE) Sàrl
<b>213314</b>	Cl. 16, Cl. 18, Cl. 25, Cl. 36, Cl. 38, Cl. 39, Cl. 42. 07 March 2019. Mondial Assistance International AG	<b>217607</b>	Cl. 38, Cl. 41. 02 March 2019. IRIS: The Consortium of Irish University and Research Libraries
<b>213326</b>	Cl. 34. 29 March 2019. La Aurora, C. por A	<b>217647</b>	Cl. 36, Cl. 37. 21 March 2019. QUESADA Y QUESADA S.A.
<b>213328</b>	Cl. 34. 15 March 2019. La Aurora, C. por A	<b>218669</b>	Cl. 1. 28 March 2019. Inovyn ChlorVinyls Limited
<b>213333</b>	Cl. 3, Cl. 5. 08 March 2019. RECKITT BENCKISER (UK) LIMITED	<b>218905</b>	Cl. 5. 23 March 2019. Advanced Medical Solutions Limited
<b>213335</b>	Cl. 32. 01 March 2019. Britvic Ireland Limited	<b>228874</b>	Cl. 24, Cl. 25. 24 March 2019. COMITÉ INTERNATIONAL OLYMPIQUE (ASSOCIATION)
<b>213424</b>	Cl. 9, Cl. 42. 14 March 2019. Essilor International	<b>234387</b>	Cl. 9. 17 March 2019. SYSTEMAX INC.
<b>213459</b>	Cl. 41. 21 March 2019. Paramount Pictures Corporation	<b>240878</b>	Cl. 36, Cl. 37, Cl. 42, Cl. 45. 12 March 2019. GARY CLARKE, T/A DUBLIN ENERGY RATING
<b>213655</b>	Cl. 5. 02 March 2019. E.R. SQUIBB & SONS, L.L.C.	<b>240972</b>	Cl. 1, Cl. 31. 04 March 2019. BRIAN MACMAHON
<b>213656</b>	Cl. 36. 14 March 2019. The Governor and Company of the Bank of Ireland (established in Ireland by Charter in 1783 and having limited liability) doing business as Bank of Ireland Group	<b>240990</b>	Cl. 5. 05 March 2019. GILEAD SCIENCES IRELAND UC
<b>213757</b>	Cl. 35, Cl. 39, Cl. 42. 23 March 2019. Gulliver InfoRes Services Ltd	<b>240991</b>	Cl. 5. 05 March 2019. GILEAD SCIENCES IRELAND UC
<b>213771</b>	Cl. 3, Cl. 5. 08 March 2019. RECKITT BENCKISER (UK) LIMITED	<b>240992</b>	Cl. 5. 05 March 2019. GILEAD SCIENCES IRELAND UC
		<b>240993</b>	Cl. 5. 05 March 2019. GILEAD SCIENCES IRELAND UC
		<b>240994</b>	Cl. 5. 05 March 2019. GILEAD SCIENCES IRELAND UC

<b>240995</b>	Cl. 5. 05 March 2019. GILEAD SCIENCES IRELAND UC	<b>241135</b>	Cl. 12, Cl. 20, Cl. 21, Cl. 24. 12 March 2019. SHOP DIRECT IRELAND LIMITED
<b>240996</b>	Cl. 5. 05 March 2019. GILEAD SCIENCES IRELAND UC	<b>241136</b>	Cl. 9. 12 March 2019. SHOP DIRECT IRELAND LIMITED
<b>241021</b>	Cl. 33. 04 March 2019. Rare Breed Distilling LLC	<b>241138</b>	Cl. 14, Cl. 18, Cl. 25. 12 March 2019. SHOP DIRECT IRELAND LIMITED
<b>241028</b>	Cl. 1. 06 March 2019. EVA-TEC LIMITED	<b>241141</b>	Cl. 29, Cl. 30, Cl. 43. 09 March 2019. WESLEY CRAWFORD
<b>241029</b>	Cl. 1. 06 March 2019. EVA-TEC LIMITED	<b>241142</b>	Cl. 44. 09 March 2019. RUTH A OWENS
<b>241034</b>	Cl. 35, Cl. 42. 05 March 2019. T.S.T. ENGINEERING LIMITED	<b>241160</b>	Cl. 3. 18 March 2019. LORNAMEAD GROUP LIMITED
<b>241058</b>	Cl. 1. 06 March 2019. EVA-TEC LIMITED	<b>241169</b>	Cl. 41. 11 March 2019. NOEL GRIFFIN
<b>241059</b>	Cl. 9. 06 March 2019. EXAXE LIMITED	<b>241177</b>	Cl. 44. 23 March 2019. OASIS HEALTHCARE LIMITED
<b>241097</b>	Cl. 35, Cl. 41. 02 March 2019. SGMC GROUP LIMITED	<b>241182</b>	Cl. 30. 25 March 2019. CADBURY UK LIMITED
<b>241104</b>	Cl. 43. 02 March 2019. ASHUTOSH CHADHA	<b>241187</b>	Cl. 9, Cl. 12, Cl. 16, Cl. 25, Cl. 35, Cl. 37, Cl. 41. 13 March 2019. MR GREEN ENERGIE LIMITED
<b>241105</b>	Cl. 43. 02 March 2019. ASHUTOSH CHADHA	<b>241188</b>	Cl. 42. 13 March 2019. UNITED FISH INDUSTRIES LIMITED
<b>241106</b>	Cl. 32. 11 March 2019. ALDI STORES (IRELAND) LIMITED	<b>241189</b>	Cl. 29, Cl. 30. 13 March 2019. FRITO-LAY TRADING COMPANY GmbH
<b>241107</b>	Cl. 5. 10 March 2019. BRISTOL-MYERS SQUIBB COMPANY	<b>241190</b>	Cl. 1. 16 March 2019. BRANDON PRODUCTS LTD
<b>241108</b>	Cl. 5. 10 March 2019. BRISTOL-MYERS SQUIBB COMPANY	<b>241193</b>	Cl. 29, Cl. 30. 16 March 2019. LIDL STIFTUNG & CO. KG
<b>241109</b>	Cl. 5. 10 March 2019. BRISTOL-MYERS SQUIBB COMPANY	<b>241198</b>	Cl. 11, Cl. 20, Cl. 37, Cl. 42. 23 March 2019. NOBILIA-WERKE J. STICKLING GMBH & CO. KG
<b>241110</b>	Cl. 25. 11 March 2019. JERRY WREN	<b>241200</b>	Cl. 43. 23 March 2019. THE MALTON
<b>241111</b>	Cl. 25. 11 March 2019. JERRY WREN	<b>241208</b>	Cl. 3. 24 March 2019. UNILEVER PLC
<b>241113</b>	Cl. 20. 12 March 2019. SHOP DIRECT IRELAND LIMITED	<b>241212</b>	Cl. 16, Cl. 36, Cl. 41, Cl. 44. 12 March 2019. IRISH CANCER SOCIETY
<b>241114</b>	Cl. 25. 12 March 2019. SHOP DIRECT IRELAND LIMITED	<b>241222</b>	Cl. 35. 11 March 2019. WEB TOWN LIMITED
<b>241116</b>	Cl. 25. 12 March 2019. SHOP DIRECT IRELAND LIMITED	<b>241225</b>	Cl. 29, Cl. 30, Cl. 31, Cl. 32, Cl. 33. 13 March 2019. Boyne Valley
<b>241117</b>	Cl. 25. 12 March 2019. SHOP DIRECT IRELAND LIMITED	<b>241239</b>	Cl. 8. 27 March 2019. REVLON CONSUMER PRODUCTS CORPORATION
<b>241118</b>	Cl. 25. 12 March 2019. SHOP DIRECT IRELAND LIMITED	<b>241240</b>	Cl. 9, Cl. 35. 27 March 2019. Belron International Limited
<b>241120</b>	Cl. 31, Cl. 39, Cl. 42. 13 March 2019. UNIVERSITY COLLEGE CORK	<b>241244</b>	Cl. 27. 25 March 2019. AML ARCHITECTURAL PRODUCTS LTD
<b>241121</b>	Cl. 3. 11 March 2019. ALBERTO-CULVER INTERNATIONAL, INC.	<b>241248</b>	Cl. 44. 24 March 2019. OASIS HEALTHCARE LIMITED
<b>241122</b>	Cl. 3. 11 March 2019. ALBERTO-CULVER INTERNATIONAL, INC.	<b>241252</b>	Cl. 1, Cl. 31. 13 March 2019. WESTLAND HORTICULTURE LIMITED
<b>241123</b>	Cl. 3. 11 March 2019. ALBERTO-CULVER INTERNATIONAL, INC.	<b>241253</b>	Cl. 16, Cl. 36, Cl. 41. 23 March 2019. ADM LONDIS PLC
<b>241125</b>	Cl. 25. 11 March 2019. ANNE MCKEON	<b>241273</b>	Cl. 29, Cl. 30, Cl. 31. 31 March 2019. MARK LONG
<b>241126</b>	Cl. 16, Cl. 35, Cl. 38. 12 March 2019. NI4KIDS LTD		
<b>241131</b>	Cl. 12, Cl. 20, Cl. 21, Cl. 24. 12 March 2019. SHOP DIRECT IRELAND LIMITED		

- 241277 Cl. 5. 01 April 2019. WYETH HOLDINGS CORPORATION
- 241278 Cl. 5. 01 April 2019. NOVARTIS AG
- 241279 Cl. 43. 01 April 2019. COBH YOUTH SERVICES LTD
- 241298 Cl. 29. 23 March 2019. MCCAIN FOODS (GB) LIMITED
- 241325 Cl. 41. 11 March 2019. NOEL BYRNES
- 241333 Cl. 3, Cl. 41. 18 March 2019. BELLA MAKEOVER STUDIO
- 241334 Cl. 44. 18 March 2019. PETRINA FARRELL
- 241357 Cl. 35, Cl. 41. 09 March 2019. HELEN COUSINS T/A XCEL BUSINESS SOLUTIONS
- 241366 Cl. 45. 12 March 2019. RECONNAISSANCE SECURITY LTD
- 241388 Cl. 16, Cl. 36, Cl. 41, Cl. 44. 12 March 2019. IRISH CANCER SOCIETY
- 241391 Cl. 42. 31 March 2019. KENNETH HENNESSY
- 241394 Cl. 6. 27 March 2019. PATRICK LYNCH
- 241404 Cl. 41. 26 March 2019. DEPARTMENT OF EDUCATION AND SCIENCE
- 241405 Cl. 41. 26 March 2019. DEPARTMENT OF EDUCATION AND SCIENCE
- 241437 Cl. 29. 25 March 2019. BOYLANS FRUITS LTD
- 241441 Cl. 17, Cl. 19. 30 March 2019. Gypsum Industries Limited
- 241470 Cl. 16. 09 March 2019. CLARE TUNNICLIFFE
- 241471 Cl. 28. 19 March 2019. CONOR KEANE
- 241474 Cl. 30. 30 March 2019. THE COFFEE COMPANY
- 241476 Cl. 19. 30 March 2019. GLASS-SEAL (NI) LIMITED
- 241477 Cl. 19. 30 March 2019. GLASS-SEAL (NI) LIMITED
- 241478 Cl. 19. 30 March 2019. GLASS-SEAL (NI) LIMITED
- 241479 Cl. 19. 30 March 2019. GLASS-SEAL (NI) LIMITED
- 241489 Cl. 29. 23 March 2019. MCCAIN FOODS (GB) LIMITED
- 241503 Cl. 5. 13 March 2019. WESTLAND HORTICULTURE LIMITED
- 241505 Cl. 29. 25 March 2019. MCCAIN FOODS (GB) LIMITED
- 241506 Cl. 29. 25 March 2019. MCCAIN FOODS (GB) LIMITED
- 241507 Cl. 29. 25 March 2019. MCCAIN FOODS (GB) LIMITED
- 241514 Cl. 25. 11 March 2019. MARTIN TYNAN
- 241540 Cl. 41. 12 March 2019. MADISON PUBLICATIONS LTD
- 241545 Cl. 11, Cl. 41, Cl. 43. 26 March 2019. CATER CARE LTD
- 241576 Cl. 29, Cl. 30. 20 March 2019. MCCAIN FOODS (GB) LIMITED
- 241587 Cl. 35, Cl. 36. 30 March 2019. MUNROE SUTTON LLP
- 241595 Cl. 30. 19 March 2019. CARA HEALTHCARE LIMITED
- 241597 Cl. 9. 25 March 2019. TIPPTOES LTD
- 241655 Cl. 35, Cl. 37, Cl. 44. 09 March 2019. SCALE HOLDINGS
- 241763 Cl. 9, Cl. 35, Cl. 41, Cl. 42, Cl. 44. 09 March 2019. MARY COFFEY
- 241773 Cl. 41. 10 March 2019. DAVID CANTWELL
- 241787 Cl. 5, Cl. 29. 27 March 2019. SOCIÉTÉ DES PRODUITS NESTLÉ S.A.
- 241860 Cl. 35. 30 March 2019. WCA CAR AUCTIONS LIMITED TRADING AS MERLIN CAR AUCTIONS
- 242139 Cl. 35. 20 March 2019. TONY DONEGAN
- 242591 Cl. 4, Cl. 8, Cl. 9, Cl. 11, Cl. 16, Cl. 20, Cl. 21, Cl. 24, Cl. 27. 12 March 2019. SHOP DIRECT IRELAND LIMITED
- 242887 Cl. 38, Cl. 41. 13 March 2019. Hewlett-Packard Development Company L.P.
- 243133 Cl. 4, Cl. 8, Cl. 9, Cl. 11, Cl. 16, Cl. 20, Cl. 21, Cl. 24, Cl. 27. 12 March 2019. SHOP DIRECT IRELAND LIMITED
- 243274 Cl. 29. 23 March 2019. THOMAS KEOGH
- 243322 Cl. 29. 25 March 2019. DALE FARM LIMITED
- 246367 Cl. 5. 10 March 2019. IMRAN HUSSAIN, RIZWANA HUSSAIN, MAARIAH HUSSAIN, DANYAAL HUSSAIN and ZAHRA HUSSAIN
- Trade Marks Removed from the Register under Section 48 and Rule 39(2) of the 1996 Act and Rules.**
- 36387 Cl. 6. HENRY SHAW & SONS LIMITED
- 53580 Cl. 29. John West Foods Limited
- 54466 Cl. 9. KH TECHNOLOGY CORPORATION
- 59036 Cl. 1. AKZO NOBEL CHEMICALS B.V.
- 82949 Cl. 19. ETERNIT N.V.
- 83382 Cl. 9. Seward Limited



83678	Cl. 5. FISONS PLC.	126249	Cl. 5. Vania Expansion S.N.C.
83778	Cl. 30. WM. WRIGLEY JR. COMPANY	126303	Cl. 28. SHAUN ELDER
83889	Cl. 5. THORNTON & ROSS LIMITED	126629	Cl. 9. AUTOMATED SECURITY (HOLDINGS) PLC.
84061	Cl. 9. Infotec Holdings B.V.	126631	Cl. 25. KTS Group Limited
84767	Cl. 11. LODGE COTTRELL LTD	126758	Cl. 31. MARS FOODS IRELAND LIMITED
85368	Cl. 5. ROBINSONS SOFT DRINKS LIMITED	126919	Cl. 25. GEORGIA-PACIFIC S.á.r.l.
85664	Cl. 9. METZ-WERKE GMBH & CO. kG.	126921	Cl. 5. SYNGENTA LIMITED
86701	Cl. 30. Huntley & Palmers Limited	126923	Cl. 20. JAYCARE LIMITED
91775	Cl. 5. Glaxo Group Limited	127498	Cl. 3. Unilever PLC
91778	Cl. 5. GLAXO GROUP LIMITED	127694	Cl. 19. MONARCH ALUMINIUM LIMITED
92034	Cl. 16. TORRASPEL S.A.	127695	Cl. 19. Jeld-Wen, Inc
92040	Cl. 3. L'OREAL	128005	Cl. 5. Novartis Vaccines and Diagnostics Limited
92774	Cl. 1, 16. TOAGOSEI CO., LTD	128790	Cl. 12. PERUSAHAAN OTOMOBIL NASIONAL SDN. BHD.
93573	Cl. 3. Pidilite International, Pte., Ltd.	128791	Cl. 12. PERUSAHAAN OTOMOBIL NASIONAL SDN. BHD.
93578	Cl. 5. AMERICAN HOME PRODUCTS CORPORATION	128792	Cl. 16. PERUSAHAAN OTOMOBIL NASIONAL SDN. BHD.
94525	Cl. 1. Sika AG	129662	Cl. 29. Errigal Fish Ltd.
94527	Cl. 19. Sika AG	129808	Cl. 12. PERUSAHAAN OTOMOBIL NASIONAL SDN. BHD.
95098	Cl. 9. Sea & Sea Sunpak Co., Ltd.	129809	Cl. 16. PERUSAHAAN OTOMOBIL NASIONAL SDN. BHD.
96529	Cl. 5. GlaxoSmithKline Consumer Healthcare (UK) IP Limited	130471	Cl. 30, 31, 32, 33. Boyne Valley
98476	Cl. 3. L'OREAL	130764	Cl. 5. Hayes, Conyngham & Robinson Ltd.
98698	Cl. 3. L'OREAL	131760	Cl. 32. Richard Nash & Co. Ltd.
98703	Cl. 32. MOLSON CANADA 2005	131917	Cl. 9. ELECTRICITY SUPPLY BOARD
101295	Cl. 5. Novartis Tiergesundheit AG	134097	Cl. 25. ASIAN & WESTERN CLASSICS B.V.
124392	Cl. 25. Debenhams Principles Limited	140371	Cl. 9. DecisionOne Corporation
124403	Cl. 30. TEREOS FRANCE	145036	Cl. 32. Asahi Europe Limited
124407	Cl. 19. MONARCH ALUMINIUM LIMITED	145624	Cl. 25, 30. THE TOPPS COMPANY INC.
124410	Cl. 25. C + J CLARK LIMITED	145823	Cl. 16. Robert Horne Group Limited
124411	Cl. 5. SANOFI	146047	Cl. 32. InBev Belgium SPRL
124416	Cl. 5. Sanofi-Aventis Deutschland GmbH	146146	Cl. 1, 5. BASF Agro B.V., Arnhem (NL), Zweigniederlassung Zurich
124505	Cl. 25. Blue Max Banner Limited	146148	Cl. 16. SPICERS LIMITED
124732	Cl. 3. Foltene Laboratories S.r.l.	146149	Cl. 5. ASTRAZENECA UK LIMITED
124742	Cl. 9. SYBASE INC.	146291	Cl. 9. E.I. DU PONT DE NEMOURS & COMPANY
124743	Cl. 16. SYBASE INC.	146401	Cl. 3. HFC Prestige International Operations Switzerland Sarl
124868	Cl. 5. ALCIDE CORPORATION	146450	Cl. 32. InBev Nederland N.V.
124888	Cl. 25. TRIUMPH INTERNATIONAL AG	146451	Cl. 3. Coty Germany GmbH
125049	Cl. 5. Colgate-Palmolive Company	146726	Cl. 34. THE HOUSE OF EDGEWORTH INCORPORATED
125053	Cl. 5. CLONMEL HEALTHCARE LTD.	147014	Cl. 30. Koninklijke Douwe Egberts B.V.
125055	Cl. 5. NOVARTIS AG.	147016	Cl. 5. Rayner Pharmaceuticals Limited
125290	Cl. 5. ISI Brands, Inc.	147020	Cl. 3. Essence Trademarks S.A.
125291	Cl. 7. Tetra Laval Holdings & Finance S.A.	147477	Cl. 30. Kerry Luxembourg S.á.r.l.
125294	Cl. 12. TENNECO AUTOMOTIVE OPERATING COMPANY INC.		
125296	Cl. 9. SYBASE INC.		
125297	Cl. 16. SYBASE INC.		
125419	Cl. 25. Ebi Apparel Ltd.		
125585	Cl. 9. HENKEL KGaA		
125708	Cl. 16. FPS Training Corp.		
126182	Cl. 19. Jeld-Wen, Inc		

147722	Cl. 5. MATOL BIOTECH LABORATORIES LTD.	210263	Cl. 3, 4, 5, 11, 21. RECKITT BENCKISER (UK) LIMITED
148116	Cl. 5. MUNDIPHARMA AG	210264	Cl. 9. TELEGÄRTNER KARL GÄRTNER GMBH
148117	Cl. 1. INEOS Silicas Limited	210265	Cl. 9, 16, 41. BarBri, Inc.
148210	Cl. 7. ANAHEIM MANUFACTURING COMPANY	210293	Cl. 9. MANUFACTURE D'APPAREILLAGE ELECTRIQUE DE CAHORS
148360	Cl. 3. L'OREAL	210294	Cl. 29, 30, 32. Kerry Luxembourg S.à.r.l.
148529	Cl. 3. CASTER	210310	Cl. 5. MENARINI INTERNATIONAL OPERATIONS LUXEMBOURG S.A.
149240	Cl. 28. WAGGLE PTY. LTD.	210356	Cl. 5. BIOGEN IDEC MA INC.
149564	Cl. 16. SCA Hygiene Products AB	210387	Cl. 5. Bayer Intellectual Property GmbH
149974	Cl. 16. HALLMARK CARDS, INCORPORATED	210420	Cl. 5. MENARINI INTERNATIONAL OPERATIONS LUXEMBOURG S.A.
150128	Cl. 5. MUNDIPHARMA AG	210516	Cl. 5. BRISTOL-MYERS SQUIBB PHARMA COMPANY
150604	Cl. 3. Church & Dwight UK Limited	210518	Cl. 16. SUPREME GRAND LODGE OF THE ANCIENT AND MYSTICAL ORDER ROSAE CRUCIS
150978	Cl. 16. Tillotts Pharma AG	210519	Cl. 16. SUPREME GRAND LODGE OF THE ANCIENT AND MYSTICAL ORDER ROSAE CRUCIS
150979	Cl. 5. Tillotts Pharma AG	210520	Cl. 16. SUPREME GRAND LODGE OF THE ANCIENT AND MYSTICAL ORDER ROSAE CRUCIS
151613	Cl. 5. SHS INTERNATIONAL LTD	210522	Cl. 3. L'OREAL
151725	Cl. 9. SAEHAN MEDIA CO., LTD.	210553	Cl. 5. Duramed Pharmaceuticals, Inc.
151953	Cl. 3. L'OREAL	210557	Cl. 5. HELSINN HEALTHCARE S.A.
152213	Cl. 30. A. LOACKER S.P.A. A.G.	210575	Cl. 9, 20, 21, 25. HENKEL KGaA
152250	Cl. 25. ECCO SKO A/S	210577	Cl. 3. L'OREAL
152479	Cl. 12. société Air France	210586	Cl. 29, 30. Generale Biscuit
152480	Cl. 16. société Air France	210615	Cl. 34. SOUZA CRUZ S.A.
152649	Cl. 3. YVES SAINT LAURENT PARFUMS	210618	Cl. 32, 33. STELLENBOSCH FARMERS' WINERY LIMITED
152689	Cl. 9. SONY MUSIC ENTERTAINMENT	210620	Cl. 9. FCI
152774	Cl. 3. L'OREAL	210625	Cl. 19, 20, 27. CORTICEIRA AMORIM S.G.P.S., S.A.
152930	Cl. 33. CHAMPAGNE HENRI ABELE	210626	Cl. 25. TRIUMPH INTERNATIONAL AG
153090	Cl. 34. THE HOUSE OF EDGEWORTH INCORPORATED	210649	Cl. 9. TELEGÄRTNER KARL GÄRTNER GMBH
153590	Cl. 6. HARSCO CORPORATION	210665	Cl. 3, 5. JOHNSON & JOHNSON
153591	Cl. 7. HARSCO CORPORATION	210666	Cl. 3. RECKITT BENCKISER (UK) LIMITED
153592	Cl. 11. HARSCO CORPORATION	210671	Cl. 5. HELSINN HEALTHCARE S.A.
153593	Cl. 12. HARSCO CORPORATION	210674	Cl. 19. POLYCELL PRODUCTS LIMITED
153595	Cl. 17. HARSCO CORPORATION	210741	Cl. 5. HELSINN HEALTHCARE S.A.
153596	Cl. 19. HARSCO CORPORATION	210744	Cl. 25. ETABLISSEMENTS CHARLES CHEVIGNON
153597	Cl. 6. HARSCO CORPORATION	210768	Cl. 3. BIOTHERM
153598	Cl. 7. HARSCO CORPORATION	210771	Cl. 5. BIOGEN IDEC MA INC.
153599	Cl. 11. HARSCO CORPORATION	210773	Cl. 42. ANNE FAHEY
153600	Cl. 12. HARSCO CORPORATION	210774	Cl. 5. HELSINN HEALTHCARE S.A.
153602	Cl. 17. HARSCO CORPORATION	210775	Cl. 3. HFC Prestige International Operations Switzerland Sarl
153603	Cl. 19. HARSCO CORPORATION		
153781	Cl. 33. H. Weston & Sons Limited		
153819	Cl. 25. CALMORE LIMITED		
153895	Cl. 2. SIGMAKALON EURIDEP		
153896	Cl. 16. SIGMAKALON EURIDEP		
153897	Cl. 2. SIGMAKALON EURIDEP		
153898	Cl. 16. SIGMAKALON EURIDEP		
155581	Cl. 9. HEWLETT-PACKARD DEVELOPMENT COMPANY L.P.		
156233	Cl. 16. BOARD OF TRADE OF THE CITY OF CHICAGO		
157611	Cl. 2. SIGMAKALON EURIDEP		
157708	Cl. 7. Viking GmbH		
209492	Cl. 9. Cliff Campbell		
209650	Cl. 10. ZIMMER, INC.		

<b>210847</b>	Cl. 5. Bristol-Myers Squibb Company	<b>215155</b>	Cl. 36. REXEL DEVELOPPEMENT SAS
<b>210848</b>	Cl. 3. L'OREAL	<b>215190</b>	Cl. 16. SUPREME GRAND LODGE OF THE ANCIENT AND MYSTICAL ORDER ROSAE CRUCIS
<b>210850</b>	Cl. 5. Helsinn Healthcare S.A.	<b>215462</b>	Cl. 5. PAUL HARTMANN AG
<b>210851</b>	Cl. 3. L'OREAL	<b>215514</b>	Cl. 38. Eircom Limited
<b>210860</b>	Cl. 1. W R Grace & Co. -Conn	<b>215516</b>	Cl. 38. Eircom Limited
<b>210971</b>	Cl. 9. Hewlett Packard Enterprise Development LP	<b>215532</b>	Cl. 41. THE CHARTERED INSURANCE INSTITUTE
<b>210972</b>	Cl. 9. Shinko Denki Kogyo Kabushiki Kaisha (Shinko Electric Industries Co.,Ltd)	<b>216353</b>	Cl. 41. HILLSBOROUGH OYSTER FESTIVAL COMMITTEE c/o Mr. Sean G Hall
<b>211042</b>	Cl. 30. LIDL STIFTUNG & CO. KG	<b>217330</b>	Cl. 16. Irish Cancer Society Limited
<b>211064</b>	Cl. 5. GRÜNENTHAL GmbH	<b>217336</b>	Cl. 41. Irish Cancer Society Limited
<b>211086</b>	Cl. 25. ARNOTTS LIMITED	<b>218599</b>	Cl. 6, 11, 17, 19. Polytherm Vertriebsgesellschaft haustechnischer Artikel mbH
<b>211087</b>	Cl. 12. General Motors LLC	<b>219873</b>	Cl. 16, 36, 37, 38, 39, 41, 42. ALLGEMEINER DEUTSCHER AUTOMOBIL-CLUB e.V. (ADAC)
<b>211090</b>	Cl. 5. WYETH HOLDINGS CORPORATION	<b>220634</b>	Cl. 16. ANZA AB
<b>211094</b>	Cl. 5. Aventis Pharma Holding GmbH	<b>224767</b>	Cl. 16. ANZA AB
<b>211097</b>	Cl. 31, 35. SVS Holland BV	<b>226441</b>	Cl. 1. EVOKE INDUSTRIES LIMITED
<b>211098</b>	Cl. 5. Intervet International B.V.	<b>240113</b>	Cl. 32. PEPSICO, INC.
<b>211237</b>	Cl. 9. FCI	<b>240120</b>	Cl. 5. ACTAVIS IRELAND LIMITED
<b>211362</b>	Cl. 3. AVON PRODUCTS, INC.	<b>240121</b>	Cl. 5. ACTAVIS IRELAND LIMITED
<b>211413</b>	Cl. 5. GRÜNENTHAL GmbH	<b>240126</b>	Cl. 5. ACTAVIS IRELAND LIMITED
<b>211484</b>	Cl. 32, 42. InBev Belgium SPRL	<b>240127</b>	Cl. 5. ACTAVIS IRELAND LIMITED
<b>211501</b>	Cl. 34. SOUZA CRUZ S.A.	<b>240128</b>	Cl. 5. ACTAVIS IRELAND LIMITED
<b>211567</b>	Cl. 36. SAMMEG LIMITED	<b>240131</b>	Cl. 32. PEPSICO, INC.
<b>211607</b>	Cl. 21, 22. ADVANCED GLASSFIBER YARNS LLC	<b>240132</b>	Cl. 32. PEPSICO, INC.
<b>211957</b>	Cl. 33. THE CRAIC COMPANY LTD	<b>240139</b>	Cl. 32. PEPSICO, INC.
<b>211976</b>	Cl. 25. Miss No Ltd.	<b>240152</b>	Cl. 30. Intercontinental Great Brands LLC
<b>212234</b>	Cl. 29, 30. KEPAK GROUP	<b>240153</b>	Cl. 30. Intercontinental Great Brands LLC
<b>212256</b>	Cl. 29, 30, 31, 35. MENEBA B.V.	<b>240154</b>	Cl. 5, 29, 30, 31, 32. Boyne Valley
<b>212257</b>	Cl. 5. GRÜNENTHAL GmbH	<b>240155</b>	Cl. 7, 37, 42. FRANK TRILL
<b>212286</b>	Cl. 1. COMPAGNIE FINANCIERE ET DE PARTICIPATIONS ROULLIER	<b>240157</b>	Cl. 9. GARDNER DENVER FRANCE SA
<b>212482</b>	Cl. 14. Festina Lotus S.A.	<b>240183</b>	Cl. 9, 35, 42. SERATEL LTD.
<b>212521</b>	Cl. 30. DALE FARM ICE CREAM LIMITED	<b>240195</b>	Cl. 32. PEPSICO, INC.
<b>212541</b>	Cl. 9. HENKEL KGaA	<b>240196</b>	Cl. 32. PEPSICO, INC.
<b>213094</b>	Cl. 36. MARS FOODS IRELAND LIMITED	<b>240197</b>	Cl. 32. PEPSICO, INC.
<b>213212</b>	Cl. 5, 10. GLAXO GROUP LIMITED	<b>240200</b>	Cl. 9, 16, 25, 41. THE BOARD OF MANAGEMENT
<b>213219</b>	Cl. 5. PAUL HARTMANN AG	<b>240201</b>	Cl. 9, 16, 25, 41. THE BOARD OF MANAGEMENT
<b>213246</b>	Cl. 9, 35, 36, 38, 42. UNITED PARCEL SERVICE OF AMERICA, INC.	<b>240202</b>	Cl. 9, 16, 25, 41. THE BOARD OF MANAGEMENT
<b>213315</b>	Cl. 5. WYETH HOLDINGS CORPORATION	<b>240203</b>	Cl. 42, 44, 45. CONOR MCALLISTER
<b>213412</b>	Cl. 11. JAMONI LTD.	<b>240205</b>	Cl. 29, 30. CARROLL CUISINE LIMITED
<b>213413</b>	Cl. 9. Shinko Denki Kogyo Kabushiki Kaisha (Shinko Electric Industries Co.,Ltd)	<b>240210</b>	Cl. 9. SAMSUNG ELECTRONICS CO., LTD.
<b>213670</b>	Cl. 41. DECATHLOAS S.A.		
<b>213825</b>	Cl. 38. Eircom Limited		
<b>214201</b>	Cl. 32. S&NF Limited		
<b>214514</b>	Cl. 9, 41. Xtra-Vision Ltd.		
<b>214786</b>	Cl. 21. HACHETTE FILIPACCHI PRESSE		

240211	Cl. 9. SAMSUNG ELECTRONICS CO., LTD.	240356	Cl. 16, 41. NATIONAL GEOGRAPHIC SOCIETY
240231	Cl. 37. WIZTECH LIMITED	240357	Cl. 5. Therabel Pharmaceuticals Limited
240233	Cl. 35. LUKE RAFFERTY	240358	Cl. 6, 20. Tanyaia Elliott
240237	Cl. 29, 30, 31, 32. BOYNE VALLEY	240361	Cl. 33. MOLINOS RIO DE LA PLATA S. A.
240241	Cl. 30. KELLOGG COMPANY	240373	Cl. 19, 35. KILSARAN CONCRETE
240244	Cl. 9. SOCIETE BIC	240374	Cl. 19, 35. KILSARAN CONCRETE
240246	Cl. 35, 41. JOHN SWEENEY	240375	Cl. 19, 35. KILSARAN CONCRETE
240254	Cl. 35. TST ENGINEERING LTD	240380	Cl. 35, 41, 42, 45. FRANK DOWN
240262	Cl. 16. VELLUM GOLD LTD	240381	Cl. 35. GERRY MCGOVERN
240264	Cl. 29, 30. MARS FOODS IRELAND LIMITED	240383	Cl. 29, 30, 31. IRISH SEAFOOD INVESTMENT LIMITED
240265	Cl. 9. LG ELECTRONICS INC.	240386	Cl. 9, 16, 25, 41. Joseph Brady
240269	Cl. 2. AKZO NOBEL COATINGS INTERNATIONAL B.V.	240390	Cl. 17. Yorkshire Building Services (Whitwell) Ltd
240270	Cl. 2. IMPERIAL CHEMICAL INDUSTRIES LIMITED	240391	Cl. 28. SDI (Wigan) IP Limited
240272	Cl. 25. STUART BURKE	240392	Cl. 5. ROWEX LTD.
240274	Cl. 2. IMPERIAL CHEMICAL INDUSTRIES LIMITED	240393	Cl. 35, 41. JOHN SWEENEY
240276	Cl. 5. Ranbaxy Laboratories Limited	240428	Cl. 30, 39, 43. PETER HOGAN
240279	Cl. 25. SDI (Wigan) IP Limited	240477	Cl. 29, 30. GIOMA (UK) LIMITED (IN ADMINISTRATION)
240281	Cl. 9, 16, 41. SENTIS PTY LTD	240483	Cl. 3. DF ENTERPRISES, INC.
240282	Cl. 9, 16, 41. SENTIS PTY LTD	240504	Cl. 30. KELLOGG COMPANY
240284	Cl. 20. GLENWOOD FURNITURE MANUFACTURING LIMITED	240518	Cl. 3. KDE PRODUCTS
240286	Cl. 16, 41. SINEAD CUNNINGHAM	240519	Cl. 3. KDE PRODUCTS
240291	Cl. 40. AKZO NOBEL COATINGS INTERNATIONAL B.V.	240520	Cl. 1. KDE PRODUCTS
240294	Cl. 30. L. C. CONFECTIONERY LTD	240521	Cl. 3. KDE PRODUCTS
240295	Cl. 30. L.C. CONFECTIONERY LTD. T/A URNEY CHOCOLATES	240522	Cl. 3. KDE PRODUCTS
240297	Cl. 30. L. C. CONFECTIONERY LTD	240523	Cl. 3. KDE PRODUCTS
240302	Cl. 30. L.C. CONFECTIONERY LTD. T/A URNEY CHOCOLATES	240527	Cl. 3. ALBERTO-CULVER INTERNATIONAL, INC.
240303	Cl. 30. ALDI STORES (IRELAND) LIMITED	240533	Cl. 41. RICHARD DONOVAN
240309	Cl. 5. SARA'S CHOICE	240534	Cl. 41. RICHARD DONOVAN
240322	Cl. 9. SMYTHS TOYS	240535	Cl. 41. RICHARD DONOVAN
240324	Cl. 42. JACQUI PRIOR	240538	Cl. 9, 16, 18, 35, 38, 41. EPPAGES LTD
240325	Cl. 5, 16. AstraZeneca AB	240592	Cl. 29. FROBERRY LTD
240330	Cl. 29. FRITO-LAY TRADING COMPANY GMBH	240718	Cl. 35. KERRY BAIRD
240331	Cl. 27. STREAM ADVERTISING & MARKETING LIMITED	240738	Cl. 41. STUART MCNAMARA
240334	Cl. 35, 36, 37, 39, 42, 43. Cleardawn Limited	240759	Cl. 38. LIZ GILL
240337	Cl. 5. HELSINN BIREX THERAPEUTICS LIMITED	240819	Cl. 9, 16, 42, 44. IRISH CATTLE BREEDING FEDERATION SOCIETY LIMITED
240348	Cl. 11. MEYER INTELLECTUAL PROPERTIES LIMITED	240844	Cl. 41. AGNES BERTA
240349	Cl. 3. UNILEVER PLC	240849	Cl. 35, 41. ANNETTE TIERNEY
240350	Cl. 30. UNILEVER PLC	240850	Cl. 35, 41. ANNETTE TIERNEY
240352	Cl. 37. JOHN KEALY	240946	Cl. 30. PAUL MACNAMEE
240355	Cl. 16, 35, 41, 44. THE NATIONAL DEAF CHILDREN'S SOCIETY	240959	Cl. 16, 41. SINEAD CUNNINGHAM
		241274	Cl. 25. HERON BLUE LTD
		241311	Cl. 42. BIOPOWER ENERGY SAVINGS LTD
		241327	Cl. 16. MARTIN WRIGHT
		241332	Cl. 30. L. C. CONFECTIONERY LTD
		241339	Cl. 30. L. C. CONFECTIONERY LTD
		241344	Cl. 9, 16, 25, 41, 45. VINEYARD CHURCHES UK AND IRELAND
		241377	Cl. 35, 42. TOM TANSLEY

- 241430 Cl. 29, 30. LOUISE RONAN AND  
AOIFE MCARDLE  
241654 Cl. 32. PEPSICO, INC.  
242062 Cl. 17, 22. DURAPAK AGRI LIMITED  
242350 Cl. 9, 35, 42. MELANISTICS LTD.  
243452 Cl. 38. CLASSIC ROCK  
BROADCASTING LTD

### **Merger of Separate Trade Mark Registrations - Rule 29 of the 1996 Rules**

131885, 131886. Merged into one single  
registration bearing the registration number 131885  
and covering classes numbers 6, 8.

Würth International AG

### **Trade Marks Restored to the Register under Rule 40 of the 1996 Rules**

- 214659 Cl. 35, Cl. 38. Eircom Limited.
-

## International Registrations under the Madrid Protocol seeking protection in the State.

Any person desiring to oppose the conferring of protection in the State to the undermentioned marks may, within three months from the date of this Journal give notice to the Controller, Patents Office, Government Buildings, Hebron Road, Kilkenny, in accordance with the provisions of Rule 18.

It should be noted that under the provisions of Rule 63(2) no extension of the opposition period is allowed for lodging opposition under Rule 18.

It is desirable before lodging formal opposition that a communication should be addressed to the holder affording him an opportunity to withdraw his application for protection of the International Registration in the State. In this way cost of opposition proceedings may be avoided.

### CALECHE

0337473 03/07/2018

Class 14. Precious metals and their alloys; jewelry, precious stones; timepieces and other chronometric instruments.

HERMES INTERNATIONAL, Société en commandite par actions, 24, rue du Faubourg Saint-Honoré, F-75008 PARIS, France

Representative: Annick de CHAUNAC - HERMES INTERNATIONAL, 24 rue du Faubourg Saint-Honoré, F-75008 Paris, France

### HAPPY HARIWEEN

0772844 30/01/2019

Class 30. Sugar confectionery.

HARIBO Lakritzen Hans Riegel Betriebsgesellschaft m.b.H., Industriezeile 68, A-4017 Linz, Austria

Representative: Rigo Trading S.A., 6, Route de Trèves, EBBC Building E, L-2633 Senningerberg, Luxembourg



0932475 11/09/2017

Class 6. Shuttering of metal for concrete, props and bracing parts of metal for shuttering, metallic reinforcements.

Class 19. Shuttering made of wood, platforms of wood, panels for shuttering, resin coated chipwood panels, pasted wooden panels, plywood panels, shuttering made of cardboard, beams and props of wood for shuttering, bracing parts not made of

metal.

PANALEX Srl, Zona Industriale, 16, I-39030  
VALDAORA (BOLZANO), Italy

Notings: The application for registration  
is proceeding with the consent  
of the proprietors of Pending  
European Union Trade Mark  
Application No. 016931263.

Representative: Società Italiana Brevetti S.p.A.,  
Stradone San Fermo, 21 sc. B, I-  
37121 Verona, Italy

Address for service: TOMKINS & CO., 5 Dartmouth  
Road, Dublin 6, Ireland



**0932475** 11/09/2017

- Class 6. Shuttering of metal for  
concrete, props and bracing  
parts of metal for shuttering,  
metallic reinforcements.
- Class 19. Shuttering made of wood,  
platforms of wood, panels for  
shuttering, resin coated  
chipwood panels, pasted  
wooden panels, plywood  
panels, shuttering made of  
cardboard, beams and props  
of wood for shuttering,  
bracing parts not made of  
metal.

PANALEX Srl, Zona Industriale, 16, I-39030  
VALDAORA (BOLZANO), Italy

Notings: The application for registration  
is proceeding with the consent  
of the proprietors of Pending  
European Union Trade Mark  
Application No. 016931263.

Representative: Società Italiana Brevetti S.p.A.,  
Stradone San Fermo, 21 sc. B, I-  
37121 Verona, Italy

Address for service: TOMKINS & CO., 5 Dartmouth  
Road, Dublin 6, Ireland

## NEPTUNE

**1141597** 25/02/2019

- Class 17. Non-metal tubes, couplings,  
hoses and tapes and non-metal  
flexible pipes for agricultural,  
horticultural, nursery,  
greenhouse and landscaping  
use; and non-metal irrigation  
lines, hoses and tape for drip  
irrigation systems.

The Toro Company, 8111 Lyndale Avenue South,  
Bloomington MN 55420, United States of America

Representative: Linda M. Byrne, The Toro  
Company, 8111 Lyndale  
Avenue South, Bloomington  
MN 55420-1196, United States  
of America



**1289241** 16/01/2018

Class 9. Computer software for use in playing, organizing, downloading, transmitting, manipulating, and reviewing audio files and media files; computer software for use in the delivery, distribution and transmission of digital music and entertainment-related audio, video, text and multimedia-content; computer software to enable users to program and distribute audio, video, text and other multimedia content; computer software for accessing, browsing and searching online databases.

Priority Date Claimed: 08 July 2015 Jamaica

Apple Inc., One Apple Park Way, Cupertino CA 95014, United States of America

Colour Claimed: The colors orange, pink, purple, blue, white are claimed as a feature of the mark., The mark consists of a multi-colored stylized design of a musical note surrounded by a multi-colored circle.

Notings: The request for protection is proceeding on the basis of the mark having acquired distinctiveness through use.

Representative: Kimberly Eckhart Apple Inc., 1 Infinite Loop, MS 169-3IPL, Cupertino CA 95014, United States of America

Address for service: Niall Tierney, c/o TIERNEY IP, Galway Technology Centre, Galway H91 YW30, Ireland



**1305828** 16/01/2018

Class 38. Streaming of audio material featuring music on the Internet, and providing access to digital music on the Internet.

Class 41. Arranging, organizing, conducting, and presenting concerts, live performances, entertainment special events, arts and cultural events, theatrical entertainment, competitions, contests, fairs, festivals, exhibitions, expositions, and sporting events; production, distribution, and presentation of radio programs, television programs, motion pictures, sound recordings; provision of live entertainment and recorded entertainment, namely, musical performances; providing non-downloadable entertainment,



sports, music, informational, news, and current events programming; providing entertainment, sports, music, informational news, current events, and arts and culture programming, through websites and computer applications; providing information in the field of entertainment, music, sports, arts and culture, and news relating thereto, through websites and computer applications; providing non-downloadable computer games, electronic games, interactive games, and video games; providing information, schedules, reviews and personalized recommendations of educational programs, entertainment, motion pictures, theatre, arts and cultural events, concerts, live performances, competitions, fairs, festivals, exhibitions, expositions, and sporting events; ticket reservation and booking services for educational programs, entertainment, motion pictures, theatre, arts and cultural events, concerts, live performances, competitions, fairs, festivals, exhibitions, expositions, and sporting events; publication and presentation of reviews, surveys, and ratings; providing reviews, survey results, and ratings relating to educational programs, entertainment, motion pictures, theatre, arts and cultural events, concerts, live performances, competitions, fairs, festivals, exhibitions, expositions, and sporting events, through interactive websites and computer applications; providing non-downloadable ringtones, pre-recorded music, video, and graphics for use on mobile communications devices;

publication of books, periodicals, newspapers, newsletters, manuals, blogs, journals, and other publications; provision of online non-downloadable publications in the nature of books, periodicals, newspapers, newsletters, manuals, blogs, journals, and other publications, through websites and computer applications; news reporting; providing information in the field of fitness and exercise through websites and computer applications.

Apple Inc., One Apple Park Way, Cupertino CA 95014, United States of America

Colour Claimed: The colors orange, pink, purple, blue, white are claimed as a feature of the mark., The mark consists of a multi-colored stylized design of a musical note surrounded by a multi-colored circle.

Notings: The request for protection is proceeding on the basis of the mark having acquired distinctiveness through use.

Representative: Kimberly Eckhart Apple Inc., 1 Infinite Loop, MS 169-3IPL, Cupertino CA 95014, United States of America

Address for service: Niall Tierney, c/o TIERNEY IP, Galway Technology Centre, Galway H91 YW30, Ireland

---

## DR. MORSE'S HERBAL HEALTH CLUB

1378914 31/08/2017

Class 41. Educational services, namely,

providing classes in the field of personalized natural health and wellness programs that restore the human body's health and vitality.

- Class 44. Advisory services relating to health, namely, provision of information to members of a club in the field of the health and wellness of mind, body and spirit for restoring the human body's health and vitality.

DMHHC, LLC, 525 Tamiami Trail, Unit 5, Port Charlotte FL 33593, United States of America

Representative: RENAY F. BLOOM, 525 Tamiami Tr., Unit 5, Port Charlotte FL 33953, United States of America

Registration of this Trade Mark gives no right to the exclusive use of "HERBAL HEALTH CLUB".



1388445 03/09/2018

- Class 32. Beverages (non-alcoholic -); non-alcoholic beverages; non-alcoholic malt beverages, non-alcoholic malt based beverages; energy drinks.

Mariusz Supady, Chabrowa 3, PL-97-300 Piotrków Trybunalski, Poland

Colour Claimed: Black, gold and white.

Representative: Igor Sawicki, Zurawia 45, PL-00-680 Warszawa, Poland

Address for service: MACLACHLAN & DONALDSON, Unit 10, 4075 Kingswood Road, Citywest Business Campus, Dublin 24 D24 C56E, Ireland

## SWISSVAX

1414065 08/02/2018

- Class 3. Care preparations for motor cars, namely, detergents, polishing preparations, waxes, degreasers other than for use in manufacturing process; care preparations for motor cars, namely, abrasive liquids and powders for cleaning, polishing, waxing, restoring and preserving treated surfaces; preparations for cleaning, polishing, restoring and preserving surfaces made of rubber, metal, plastic, leather, vinyl, textile, wood, glass, weather resistant thermoplastic and velvet for motor cars; all aforementioned goods made in Switzerland; care preparations for boats, namely, detergents, polishing preparations, waxes, degreasers other than for use in manufacturing process; care preparations for boats, namely, abrasive liquids and powders for cleaning, polishing, waxing, restoring and preserving treated surfaces; preparations for cleaning, polishing, restoring and preserving surfaces made of rubber, metal, plastic, leather, vinyl, textile, wood,

glass, weather resistant thermoplastic and velvet for boats; all aforementioned goods made in Switzerland all included in class 3.

Priority Date Claimed: 11 August 2017 United States of America

Priority Date Claimed: 08 February 2018 United States of America

Swissvax AG, Tamperlistrasse 3, CH-8117 Fallanden, Switzerland

Notings: The application for registration is proceeding with the consent of the proprietor of EUTM Nos 015146889 and 015771678.

Representative: Dr. Felix Locher, PYTHON, Schweizerhof-Passage 7, Postfach, CH-3001 Bern, Switzerland

Address for service: TOMKINS & CO., 5 Dartmouth Road, Dublin 6, Ireland

purposes; payroll preparation; demonstration of goods; business research; business information; business appraisals; business investigations; business inquiries; business management assistance; commercial or industrial management assistance; advisory services for business management; business research; economic forecasting; business efficiency expert services; transcription of communications (office functions); compilation of information into computer databases; compilation of statistics; import-export agency services; invoicing; on-line advertising on a computer network; computerized file management; business management of performing artists; business management of hotels; business management for freelance service providers; business management of sports people; commercial information and advice for consumers [consumer advice shop]; commercial administration of the licensing of the goods and services of others; personnel recruitment; business management consultancy; business organization consultancy; personnel management consultancy; layout services for advertising purposes; marketing; typing; document reproduction; providing business information via a web site; provision of commercial and business contact information; rental of advertising space; office machines and equipment rental; publicity material rental; rental of vending machines; rental of sales stands; rental of photocopying machines;



1414440 14/12/2017

Class 35. Advertising; business management; business administration; office functions; commercial information agency services; administrative processing of purchase orders; cost price analysis; business auditing; auctioneering; book-keeping / accounting; market studies; opinion polling; organization of exhibitions for commercial or advertising purposes; organization of fashion shows for promotional purposes; organization of trade fairs for commercial or advertising

rental of advertising time on communication media; writing of publicity texts; word processing; updating and maintenance of data in computer databases; updating of advertising material; web site traffic optimization; shop window dressing; arranging newspaper subscriptions for others; arranging subscriptions to telecommunication services for others; business management and organization consultancy; price comparison services; procurement services for others [purchasing goods and services for other businesses]; outsourcing services [business assistance]; modelling for advertising or sales promotion; secretarial services; shorthand; telephone answering for unavailable subscribers; business project management services for construction projects; public relations; commercial intermediation services; news clipping services; relocation services for businesses; photocopying services; sponsorship search; search engine optimization for sales promotion; presentation of goods on communication media, for retail purposes; psychological testing for the selection of personnel; publication of publicity texts; radio advertising; advertising by mail order; advertising agency services; pay per click advertising; outdoor advertising; distributing of samples; dissemination of advertising matter; direct mail advertising; drawing up of statements of accounts; tax preparation; employment agency services; sales promotion for others; production of advertising films; television advertising; telemarketing services; negotiation and conclusion of

commercial transactions for third parties; systemization of information into computer databases; professional business consultancy; data search in computer files for others.

Class 36. Insurance; financial affairs; monetary affairs; real estate affairs; debt collection agency services; accommodation bureau services [apartments]; real estate agency services; financial analysis; banking; stock brokerage services; repair costs evaluation [financial appraisal]; issuance of traveler's cheques; issuance of credit cards; issuance of tokens of value; investment of funds; arranging finance for construction projects; online banking; electronic funds transfer; apartment house management; safe deposit services; deposits of valuables; charitable fund raising; rent collection; information about changes of stock-exchange quotations; real estate management; clearing, financial; insurance consultancy; financial debt consultancy; pawnbrokerage; financial customs brokerage services; marine insurance underwriting; instalment loans; loans [financing]; providing financial information via a web site; rental of apartments; rental of real estate; rental of offices [real estate]; exchanging money; processing of credit card payments; rental of farms; antique appraisal; valuables appraisal; stamp appraisal; art appraisal; real estate appraisal; numismatic appraisal; cheque verification; banker's secured loan; tax analysis; loan disbursement agencies; lending against security; currency exchange; brokerage of carbon credits; real estate brokerage; stocks and bonds brokerage;

processing of debit card payments; savings bank services; provident fund services; bail-bonding; insurance consultancy; trusteeship; retirement payment services; insurance information; insurance brokerage; accident insurance underwriting; fire insurance underwriting; life insurance underwriting; health insurance underwriting; factoring; financial information; financial management; financial consultancy; financial evaluation [insurance, banking, real estate]; financial valuation of wool; financial valuation of standing timber; financial sponsorship; business liquidation services, financial; financing; mutual funds.	repair; vulcanization of tires [repair]; damp-proofing [building]; knife sharpening; disinfecting; mining extraction; furniture maintenance; vehicle battery charging; vehicle lubrication [greasing]; demolition of buildings; construction information; riveting; construction consultancy; shoe repair; clock and watch repair; film projector repair and maintenance; pump repair; upholstery repair; clothing repair; umbrella repair; parasol repair; repair of security locks; vehicle breakdown repair services; photographic apparatus repair; varnishing; renovation of clothing; vehicle polishing; car washing; vehicle washing; masonry; bricklaying; rental of bulldozers; rental of road sweeping machines; rental of drainage pumps; rental of excavators; rental of cranes [construction equipment]; rental of laundry washing machines; rental of construction equipment; rental of cleaning machines; vermin exterminating, other than for agriculture, aquaculture, horticulture and forestry; rat exterminating; upholstering; vehicle service stations [refuelling and maintenance]; cleaning of buildings [interior]; cleaning of buildings [exterior surface]; refilling of toner cartridges; underwater repair; underwater construction; re-tinning; artificial snow-making services; roofing services; chimney sweeping; washing; washing of linen; laundering; linen ironing; street cleaning; pipeline construction and maintenance; rustproofing; anti-rust treatment for vehicles; repair of power lines; restoration of musical instruments; restoration of works of art; quarrying
Class 37. Building construction; asphaltting; road paving; building insulating; building construction supervision; shipbuilding; harbour construction; building of breakwaterpiers, dams, quay-piers; building of fair stalls and shops; drilling of deep oil or gas wells; rebuilding engines that have been worn or partially destroyed; rebuilding machines that have been worn or partially destroyed; furniture restoration; retreading of tires; installation of doors and windows; installation and repair of air-conditioning apparatus; elevator installation and repair; electric appliance installation and repair; irrigation devices installation and repair; heating equipment installation and repair; furnace installation and repair; fire alarm installation and repair; burglar alarm installation and repair; freezing equipment installation and repair; kitchen equipment installation; scaffolding; machinery installation, maintenance and	

- services; drilling of wells; construction; factory construction; dry cleaning; carpentry services; car maintenance; strong-room maintenance and repair; airplane maintenance and repair; burner maintenance and repair; safe maintenance and repair; vehicle maintenance; swimming-pool maintenance; plastering; plumbing; warehouse construction and repair; interference suppression in electrical apparatus; painting of buildings [interior]; painting of buildings [exterior surface]; painting or repair of signs; window cleaning; leather care, cleaning and repair; boiler cleaning and repair; fur care, cleaning and repair; cleaning of clothing; cleaning of decorated linen; pumicing; sanding; vehicle cleaning; paper hanging.
- Class 39. Packaging and storage of goods, grain and cereal products; arranging of travels; bus transport; car transport; barge transport; towing; vehicle breakdown towing services; arranging of cruises; transportation over water; water supplying; water distribution; delivery of newspapers; flower delivery; message delivery; parcel delivery; delivery of goods; delivery of goods by mail order; tourist excursions (sightseeing); electricity distribution; distribution of energy; stevedoring; railway transport, launching of satellites for others; guarded transport of valuables; storage of goods in warehouses, grain and cereal products; boat storage; refloating of ships; traffic information; information about storing in warehouses, grain and cereal products; transportation information, grain and cereal products; operating canal
- locks; ice-breaking; lighterage services; transportation logistics; marine transport; providing driving directions for travel purposes; garage rental; rental of places on parking lots; rental of warehouses; rental of enclosed parking spaces for vehicles; rental of aircraft engines, bus rental; car rental; rental of diving bells; rental of diving suits; railway truck rental; railway coach rental; rental of storage containers; rental of wheelchairs; horse rental; aircraft rental; rental of freezers; rental of navigational systems; rental of motor racing cars; rental of refrigerators; vehicle rental; boat rental; wrapping of goods; car parking; passenger transport; armored-car transport; hauling; carting; transport and storage of waste; transporting furniture; transport of travelers; freight [shipping of goods]; porterage; booking of seats for travel; travel reservation; transport reservation; ferry-boat transport; sea transport brokerage; transport brokerage; freighting brokerage; chauffeur services; bottling services; courier services [messages or merchandise]; taxi transport; freight forwarding; transport; salvaging; river transport; unloading cargo; rescue operations [transport]; underwater salvage; salvage of ships; ambulance transport; escorting of travelers; tram transport; transport by pipeline; physical storage of electronically stored data or documents; franking of mail; freighting.
- Class 40. Staining; textile staining; fabric staining; fur staining; fulling of cloth; fabric bleaching; custom fashioning of fur; production of energy; fruit crushing; skin dressing;

embroidering; vulcanization [material treatment]; galvanization; electroplating; custom manufacture of pots in clay and pottery firing; engraving; air deodorizing; shaping of metal components; printing; pattern printing; photographic printing; tanning; slaughtering of animals; freezing of foods; decontamination of hazardous materials; gilding; timber felling and processing; material treatment information; cadmium plating; permanent-press treatment of fabrics; bookbinding; blacksmithing; food and drink preservation; key cutting; food smoking; custom tailoring; laser scribing; laminating; burnishing by abrasion; metal casting; lithographic printing; tin plating; chemical and metal extraction; flour milling; taxidermy; textile fireproofing; fabric fireproofing; fabric waterproofing; rental of boilers; rental of generators; rental of plaiting machines; rental of air-conditioning apparatus; rental of space heating apparatus; warping [looms]; magnetization; waste treatment [transformation]; nickel plating; cloth edging; framing of works of art; leather working; wool treating; water treating; woodworking; processing of cinematographic films; metal treating, processing of oil, stripping finishes; paper treating; textile treating; fabric treating; air freshening; paper finishing; textile finishing; fur finishing; offset printing; air purification; soldering; clothing alteration; recycling of waste and trash; metal plating; cloth pre-shrinking; cryopreservation services; services of a dental technician; colour separation

services; sandblasting services; crease-resistant treatment for clothing; textile mothproofing; fur mothproofing; photographic film development; refining services; cloth cutting; fur satining; custom assembling of materials for others; glass-blowing; sorting of waste and recyclable material [transformation]; incineration of waste and trash; silver plating; metal tempering; window tinting treatment, being surface coating; screen printing; destruction of waste and trash; shoe staining; leather staining; photogravure; photocomposing services; millworking; chromium plating; quilting; dressmaking; grinding; optical glass grinding; saddlery working; processing of agricultural grain.

Class 44. Agriculture, horticulture and forestry services; medical services; veterinary services; hygienic and beauty care for human beings or animals; midwife services; convalescent home services; veterinary assistance; hair implantation; rehabilitation for substance abuse patients; wreath making; depilatory waxing; pet grooming; public bath services for hygiene purposes; lawn care; nursing, medical; flower arranging; health counselling; landscape gardening; landscape design; hospital services; massage; medical assistance; health care; medical equipment rental; rental of sanitation facilities; farming equipment rental, plows, harrows, cultivators, sowing machines, mowers, shovel ploughs, irrigation equipment, land rollers, agricultural trailers and agricultural machines, namely: harvester-threshers and forage harvesters, tractors, garden tractors,

potato planters and potato harvesters, beet harvesters, self-propelled sprayers, self-propelled fertilizer spreaders, debranning mills, machinery for flax industry and vegetable production, cotton-harvesting machines, grape percussion harvesters; weed killing; vermin exterminating for agriculture, aquaculture, horticulture and forestry; hairdressing; plastic surgery; aerial and surface spreading of fertilizers and other agricultural chemicals; alternative medicine services; blood bank services; cosmetic treatment services for the body, face and hair; aromatherapy services; health spa services; medical clinic services; opticians' services; services of a psychologist; sauna services; solarium services; aquaculture services; speech therapy; health center services; animal breeding; plant nursery services; tree surgery; gardening; tree planting for carbon offsetting purposes; sanatorium services; pharmacy advice.

Mriya Trading (Cyprus) Limited, Nikis 20, Office 400, CY-1086 Nicosia, Cyprus

Colour Claimed: White, green and violet.

Representative: Koval M. P., vul. E. Sverstiuka, 23, off. 602, Kyiv, Ukraine



**1415360** 05/03/2018

Class 17. Raw and semi-manufactured rubber, gum and substitutes

for all these materials; rubber granules for use as a ground covering for playgrounds.

Class 27. Floor coverings; rubber mats; carpets, rugs, mats and matting, linoleum and other floor coverings.

Priority Date Claimed: 07 September 2017  
Switzerland

GEZOLAN AG, Werkstrasse 30, CH-6252  
Dagmersellen, Switzerland

Representative: BOVARD LTD - Patent and  
Trademark Attorneys,  
Optingenstrasse 16, CH-3013  
Bern, Switzerland

---

## DMS ORGANIZATION

**1416545** 30/05/2018

Class 45. Legal services, namely, providing advice on applicable laws in the Cayman Islands, British Virgin Islands and Ireland.

DMS Organization Ltd, 20 Genesis Close, KY1-1104  
Georgetown, Cayman, Cayman Islands

---

## DMS MANAGEMENT

**1416547** 30/05/2018

Class 45. Legal services, namely, providing advice on applicable laws in the Cayman Islands, British Virgin Islands and Ireland.



DMS Organization Ltd, 20 Genesis Close, KY1-1104  
Georgetown, Cayman, Cayman Islands

---

## DMS GOVERNANCE

**1416548** 30/05/2018

Class 45. Legal services, namely, providing advice on applicable laws in the Cayman Islands, British Virgin Islands and Ireland.

DMS Organization Ltd, 20 Genesis Close, KY1-1104  
Georgetown, Cayman, Cayman Islands

---

## DMS

**1416563** 30/05/2018

Class 45. Legal services, namely, providing advice on applicable laws in the Cayman Islands, British Virgin Islands and Ireland.

DMS Organization Ltd, 20 Genesis Close, KY1-1104  
Georgetown, Cayman, Cayman Islands

---

## ACHTECK

**1417767** 14/12/2017

Class 7. Turning tools [parts of machines]; holmaking tools;

milling tools; threading tools; gear cutting tools; broaching tools; band saw; circular saw blade (machine parts); dragon saw; cutting tool; reciprocating saw; pneumatic grinder; clamping units; all aforesaid goods are power-operated.

GANZHOU ACHTECK TOOL TECHNOLOGY CO., LTD, Ganzhou Economic Development Area, Jiangxi, China

Representative: CIPRUN (BEIJING) INTELLECTUAL PROPERTY AGENT CO., LTD, CIPRUN MANSION, CIPRUN IP SCIENCE PARK, CHANGYANG ROAD, FANGSHAN DISTRICT, BEIJING CITY, China



**1418127** 23/05/2018

Class 25. Clothing, namely, khakis; clothing, namely, fisherman pants; athletic tops and bottoms for running; beachwear; belts; belts made out of cloth; bottoms; bottoms for adults; coats for adults; drawers; hooded sweatshirts for adults; jackets; jackets for adults; knitwear, namely, shorts; knitwear, namely,

shirts; leather belts; loungewear; pajamas for adults; pants for adults; pareos; pique shirts; plimsolls; rainwear; sarongs; shirts for adults; shoes for adults; shorts for adults; skapris; sleepwear; sweaters for adults; sweatpants for adults; sweatshirts for adults; swimwear; t-shirts for adults; tops; tops for adults; trousers for adults; wearable garments and clothing, namely, shirts; windbreakers; women's clothing, namely, shirts, dresses, skirts, blouses; woven shirts for adults.

Class 26. Clothing accessories, namely, charms for attachment to zipper pulls and buttons; brooches for clothing; embroidered patches for clothing; ornamental cloth patches.

Willman, Scott Alan, 152 sierra sky ct, colfax CA 95713, United States of America

Colour Claimed: The colors red, orange, yellow, green, blue, violet, gold, white and black are claimed as a feature of the mark., The mark consists of a white unicorn with red, orange, yellow, green, blue and violet hair/mane and tail. The unicorn has a gold horn, red lips, red hooves, and a black, blue, and white eye. The unicorn has a red and orange beard. The unicorn has the word "FRESHY" written below it in lettering with the colors as follows: "F" in red, "R" in orange, "E" in yellow, "S" in green, "H" in blue, and "Y" in violet. There is white highlighting on each of the letters, and the color black is used for outlining of the design and wording.



1423053 26/02/2018

Class 43. Hotel and restaurant services.

HOTEL OF ASIA, INC, 19th Floor, Tower One, Makati Stock Exchange Plaza, Ayala Ave, Makati City, Philippines

Colour Claimed: Forest Green - PMS 357.

Registration of this Trade Mark gives no right to the exclusive use of Hotel

---

algologie  
ARMOR • FRANCE

1427638 09/02/2018

Class 3. Non-medicated cosmetics; plant-based cosmetics; cosmetics based on algae and marine active agents; cosmetics based on active ingredients from halophyte plants; cosmetics based on essential oils; saline preparations for cosmetic use; seaweed extracts for cosmetic use; marine extracts for cosmetic use; collagen preparations for cosmetic use; lotions for cosmetic use; tissues impregnated with cosmetic lotions; cosmetic

creams; balm other than for medical use; pomades for cosmetic use; beauty masks; phytocosmetic preparations; cleansing milk for toilet purposes; toiletries; antiperspirants (toiletries); oils for cosmetic use; greases for cosmetic use; non-medicated beauty and toiletry preparations for the face and body; cleansing milk for cosmetic purposes; cosmetic preparations for skin care; cosmetic preparations for hands; cosmetic preparations for feet; cosmetics for body care; scrubs for skin, body and face care; make-up removing products; wipes impregnated with make-up removing preparations; massage oils; massage gels other than for medical use; eye creams (not for medical use); eye lotions; cosmetics based on marine products; cosmetic preparations for slimming; cosmetic skin-tanning preparations; sunscreen preparations; bath preparations, not for medical use; cosmetic preparations for baths; bath salts not for medical use; perfumes; soaps; essential oils; perfumery product; fumigation products [perfumes]; deodorants [perfumery]; eau de Cologne; lavender water; scented water; eaux de toilette; oils for perfumes and scents; oils for toilet purposes; extracts of flowers [perfumes]; make-up preparations; lip glosses; false eyelashes; cosmetics for eyelashes; adhesives for affixing false eyelashes; eyebrow cosmetics; pencils for cosmetic use; eyebrow pencils; rose oil; nail polish; nail polish (varnish); nail polish removers; varnish-removing preparations; false nails; lipstick cases; make-up; eye shadows; mascara; cosmetic kits; false nails;

make-up powder; lipstick; non-medicated hair lotions; hair lotions; hair care preparations; shampoos; hair conditioners; hair straightening preparations; hair waving preparations; hair dyes; hair sprays; hair fixatives; non-medicated dentifrices; preparations for mouthwashes (not for medical use); douching preparations for intimate hygiene, deodorant preparations or for sanitary purposes [toiletries]; bleaching preparations [decolorants] for cosmetic use; plant extracts for cosmetic use; depilatory products; decorative transfers for cosmetic use; astringents for cosmetic use.

Priority Date Claimed: 18 December 2017 France

ALTERCOSMETO DIFFUSION, Zone de Pen Lan,  
1 allée des Embruns, F-22610 PLEUBIAN, France

Representative: CABINET VIDON Marques &  
Juridique PI, LEBRET  
Amandine, Technopole  
Atalante, 16B rue de Jouanet,  
BP 90333, F-35703 RENNES  
Cedex 7, France

Address for  
service: FRKelly, 27 Clyde Road,  
Ballsbridge, Dublin 4, Ireland



**1429301** 14/08/2018

- Class 7. Earth moving machines, namely, excavators; excavating machines; track loaders; wheel loaders; skid-steer loaders; attachments for vehicles, namely, buckets for moving earth and loose objects.
- Class 45. The provision of vehicle and driver information concerning the safety, utilization and performance of equipment.

Priority Date Claimed: 27 February 2018 United States of America

Takeuchi MFG. (U.S.), Ltd., 519 Bonnie Valentine Way, Pendergrass GA 30567, United States of America

Colour Claimed: The color(s) gray, black, white, and Pantone color 485 (red) is/are claimed as a feature of the mark., The mark consists of the pantone 485 red word "TAKEUCHI" above the black words "FLEET MANAGEMENT", which are in front of a gray globe featuring North America and Central America surrounded by gray orbital sphere lines with smaller circles on the lines around the globe, all of which is contained within a pantone red 485 circle that is inside a black circle.

Notings: Indication relating to the nature or kind of mark: The words

contained in the mark have no meaning. Certified description of the mark: The mark consists of the pantone 485 red word "TAKEUCHI" above the black words "FLEET MANAGEMENT", which are in front of a gray globe featuring North America and Central America surrounded by gray orbital sphere lines with smaller circles on the lines around the globe, all of which is contained within a pantone red 485 circle that is inside a black circle. The application for registration is proceeding with the consent of the owners of EUTM No. 001635119.

Representative: Barbara Alexander Alexander Legal LLC, 138 Bulloch Ave, Roswell GA 30075, United States of America

Address for service: TOMKINS & CO., 5 Dartmouth Road, Dublin 6, Ireland

Registration of this Trade Mark gives no right to the exclusive use of "FLEET MANAGEMENT"



**1429752** 20/03/2018

Class 3. Soaps; perfumery products; essential oils; cosmetics; hair lotions.

- Class 5. Pharmaceutical products, medicated products namely, medicated food supplements, medicated handwash, medicated after-shave lotions, medicated shampoos, medicated soap, medicated toilet preparations, medicated eye-washes, medicated toiletry preparations, medicated bath preparations, medicated baby oils, medicated creams, medicated lotions, medicated compresses, medicated balms, Salves [medicated], medicated face lotions, face cream (Medicated-), medicated skin creams, medicated baby powder, medicated hair lotions, medicated body gels, medicated talcum powder, medicated skin lotions, medicated lip balm, body creams [medicated], medicated baby powders, skin tonics [medicated], skin care lotions [medicated], nappy cream [medicated], night creams [medicated], face scrubs (Medicated-), medicated skin care preparations, medicated hair care preparations, medicated lip care preparations, medicated lotions for the hands, medicated preparations for skin treatment, medicated ointments for treating dermatological conditions, medicated lotions for treating dermatological conditions, medicated creams for treating dermatological conditions, medicated ointments for application to the skin, medicated swabs, medicated plasters; dietetic substances and foods for medical use; food supplements for human beings; plasters, materials for dressings; disinfectants.
- Class 8. Hand-operated hand tools and implements; razors.
- Class 10. Surgical, medical apparatus and instruments; massage apparatus; suture material.

- Class 25. Clothing, footwear, headgear.
- Class 35. Advertising; commercial business management; commercial administration; office functions.
- Class 41. Education; training; entertainment; sporting and cultural activities.
- Class 44. Medical services; beauty care services.

Priority Date Claimed: 10 November 2017 Serbia

PHIACADEMY DOO BEOGRAD, Bulevar  
Oslobodenja 137, 11000 Beograd, Serbia

Representative: PLAVSA & PLAVSA doo  
patentna kancelarija, Strumicka  
51, 11050 Beograd, Serbia

Address for service: TOMKINS & CO., 5 Dartmouth  
Road, Dublin 6, Ireland



1429753 20/03/2018

- Class 3. Soaps; perfumery products; essential oils; cosmetics; hair lotions.
- Class 5. Pharmaceutical products, medicated products namely, medicated food supplements, medicated handwash, medicated after-shave lotions, medicated shampoos, medicated soap, medicated toilet preparations, medicated eye-washes, medicated toiletry preparations, medicated bath preparations, medicated baby oils, medicated creams, medicated

lotions, medicated  
 compresses, medicated balms,  
 Salves [medicated], medicated  
 face lotions, face cream  
 (Medicated-), medicated skin  
 creams, medicated baby  
 powder, medicated hair  
 lotions, medicated body gels,  
 medicated talcum powder,  
 medicated skin lotions,  
 medicated lip balm, body  
 creams [medicated],  
 medicated baby powders, skin  
 tonics [medicated], skin care  
 lotions [medicated], nappy  
 cream [medicated], night  
 creams [medicated], face  
 scrubs (Medicated-),  
 medicated skin care  
 preparations, medicated hair  
 care preparations, medicated  
 lip care preparations,  
 medicated lotions for the  
 hands, medicated preparations  
 for skin treatment, medicated  
 ointments for treating  
 dermatological conditions,  
 medicated lotions for treating  
 dermatological conditions,  
 medicated creams for treating  
 dermatological conditions,  
 medicated ointments for  
 application to the skin,  
 medicated swabs, medicated  
 plasters; dietetic substances  
 and foods for medical use;  
 food supplements for human  
 beings; plasters, materials for  
 dressings; disinfectants.

Class 8. Hand-operated hand tools and  
 implements; razors.

Class 10. Surgical, medical apparatus  
 and instruments; massage  
 apparatus; suture material.

Class 25. Clothing, footwear, headgear.

Class 35. Advertising; commercial  
 business management;  
 commercial administration;  
 office functions.

Class 41. Education; training;  
 entertainment; sporting and  
 cultural activities.

Class 44. Medical services; beauty care  
 services.

Priority Date Claimed: 10 November 2017 Serbia

PHIACADEMY DOO BEOGRAD, Bulevar  
 Oslobodenja 137, 11000 Beograd, Serbia

Representative: PLAVSA & PLAVSA doo  
 patentna kancelarija, Strumicka  
 51, 11050 Beograd, Serbia

Address for TOMKINS & CO., 5 Dartmouth  
 service: Road, Dublin 6, Ireland



**1429799** 17/04/2018

Class 3. Soaps; perfumery products;  
 essential oils; cosmetics; hair  
 lotions.

Class 5. Pharmaceutical products,  
 medicated products namely,  
 medicated food supplements,  
 medicated handwash,  
 medicated after-shave lotions,  
 medicated shampoos,  
 medicated soap, medicated  
 toilet preparations, medicated  
 eye-washes, medicated  
 toiletry preparations,  
 medicated bath preparations,  
 medicated baby oils,  
 medicated creams, medicated  
 lotions, medicated  
 compresses, medicated balms,  
 Salves [medicated], medicated  
 face lotions, face cream  
 (Medicated-), medicated skin  
 creams, medicated baby  
 powder, medicated hair  
 lotions, medicated body gels,  
 medicated talcum powder,  
 medicated skin lotions,  
 medicated lip balm, body  
 creams [medicated],  
 medicated baby powders, skin  
 tonics [medicated], skin care  
 lotions [medicated], nappy

cream [medicated], night creams [medicated], face scrubs (Medicated-), medicated skin care preparations, medicated hair care preparations, medicated lip care preparations, medicated lotions for the hands, medicated preparations for skin treatment, medicated ointments for treating dermatological conditions, medicated lotions for treating dermatological conditions, medicated creams for treating dermatological conditions, medicated ointments for application to the skin, medicated swabs, medicated plasters; dietetic substances and foods for medical use; food supplements for human beings; plasters, materials for dressings; disinfectants.

Class 8. Hand-operated hand tools and implements; razors.

Class 10. Surgical, medical apparatus and instruments; massage apparatus; suture material.

Class 25. Clothing; footwear; headgear.

Class 35. Advertising; commercial business management; commercial administration; office functions.

Class 41. Education; training; entertainment; sporting and cultural activities.

Class 44. Medical services; beauty care services.

Priority Date Claimed: 10 November 2017 Serbia

PHIACADEMY DOO Beograd, Bulevar oslobodenja  
137, 11000 Beograd, Serbia

Representative: PLAVSA & PLAVSA doo  
patentna kancelarija, Strumicka  
51, 11050 Beograd, Serbia

Address for  
service: TOMKINS & CO., 5 Dartmouth  
Road, Dublin 6, Ireland



The logo for PHI Q LINGS features the word 'PHI' on the left, a large stylized 'Q' in the center, and the word 'LINGS' on the right. The 'Q' is designed with a vertical line extending downwards from its bottom, resembling a female symbol.

**1429819** 31/05/2018

Class 3. Soaps; perfumery products; essential oils; cosmetics; hair lotions.

Class 5. Pharmaceutical products, medicated products namely, medicated food supplements, medicated handwash, medicated after-shave lotions, medicated shampoos, medicated soap, medicated toilet preparations, medicated eye-washes, medicated toiletry preparations, medicated bath preparations, medicated baby oils, medicated creams, medicated lotions, medicated compresses, medicated balms, Salves [medicated], medicated face lotions, face cream (Medicated-), medicated skin creams, medicated baby powder, medicated hair lotions, medicated body gels, medicated talcum powder, medicated skin lotions, medicated lip balm, body creams [medicated], medicated baby powders, skin tonics [medicated], skin care lotions [medicated], nappy cream [medicated], night creams [medicated], face scrubs (Medicated-), medicated skin care preparations, medicated hair care preparations, medicated lip care preparations, medicated lotions for the hands, medicated preparations for skin treatment, medicated ointments for treating dermatological conditions, medicated lotions for treating dermatological conditions, medicated creams for treating dermatological conditions,

- medicated ointments for application to the skin, medicated swabs, medicated plasters; dietetic substances and foods for medical use; food supplements for human beings; plasters, materials for dressings; disinfectants.
- Class 8. Hand-operated hand tools and implements; razors.
- Class 10. Surgical, medical apparatus and instruments; massage apparatus; suture material.
- Class 35. Advertising; commercial business management; commercial administration; office functions.
- Class 41. Education; training; entertainment; sporting and cultural activities.
- Class 44. Medical services; beauty care services.

Priority Date Claimed: 11 January 2018 Serbia

PHIACADEMY DOO BEOGRAD, Bulevar  
Oslobodenja 137, 11000 Beograd, Serbia

Representative: PLAVSA & PLAVSA doo  
patentna kancelarija, Strumicka  
51, 11050 Beograd, Serbia

Address for  
service: TOMKINS & CO., 5 Dartmouth  
Road, Dublin 6, Ireland



**1431148** 19/07/2018

- Class 14. Precious metals and their alloys, precious stones, jewellery, necklaces (jewellery), long necklaces (jewellery), chokers (necklaces), bracelets (jewellery), rings (jewellery), earrings (jewellery), pendants (jewellery), brooches

- (jewellery), badges (jewellery), cuff links (jewellery), medals (jewellery), medallions (jewellery), charms (jewellery), tie clips, tie pins, chains (jewellery), boxes of precious metal, jewellery boxes, boxes for watches not of precious metal, horological and chronometric instruments, watches and structural parts therefor, chronographs (watches), chronometers, wristwatches, clocks, pendulums (clock and watch making), small clocks, straps for watches, clasps for watches, dials for watches, watch cases, watch chains, movements for clocks and watches, cases for clock and watchmaking, jewellery cases, cases for watches (presentation), key rings (trinkets or fobs), head jewels.
- Class 18. Handbags, travelling bags, rucksacks, school bags, beach bags, garment bags (for travel), bags for sports (other than those adapted to the products for which they are intended), wheeled shopping bags, shopping bags, shoulder bags, pocket wallets, purses, credit card cases (notecases), briefcases, key cases (leatherware), tidies of leather, trunks, suitcases, travelling sets in leather, pouches intended to hold toilet products (empty), vanity cases not fitted, pouches (evening handbags), minaudieres in the nature of small clutch purses, shoulder straps for handbags, grooming bags, saddlery, riding saddles, saddle trees, bridles (harness), bridoons, straps of leather (saddlery), reins, horse collars, stirrups, parts of rubber for stirrups, stirrup leathers, harness, reins, halters, fastenings for saddles, bands of leather, shoulder belts (straps) of leather, girth



guard, running martingales, tendon boots, polo wraps, stable wraps, horse fly bonnets, chin straps of leather, knee-pads for horses, blinkers (harness), horse blankets, covers for horse saddles, pads for horse saddles, whips, cat o' nine tails, riding crops, saddle boxes, bits for animals (harness), harness fittings, wrist-straps, umbrellas, collars for animals, leashes for animals, clothing for pets, bags for transporting animals, harness for animals, boxes and cases of leather or leather board, label holders for luggage, jewellery pouches not of precious metal, watch pouches not of precious metal.

Class 25. Clothing for men, women and children, boots, shoes, slippers, fashion clothing accessories for men, women and children, namely hats, caps (headgear), bonnets, gloves (clothing), muffs, mittens, bow ties, neckties, belts (clothing), scarves, pocket squares (clothing), sashes for wear, stoles (clothing), shawls, stockings, socks, tights, suspenders, clothing of leather and imitations of leather, clothing for sports, pareos, aprons (clothing).

Priority Date Claimed: 19 February 2018 France

HERMES INTERNATIONAL, 24 rue du Faubourg Saint-Honoré, F-75008 PARIS, France

Colour Claimed: Red (Pantone 2028C), yellow/orange (Pantone 1235C) and blue (Pantone 295 C)

Representative: HERMES INTERNATIONAL, Mme. Annick de CHAUNAC, 24 rue du Faubourg Saint-Honoré, F-75008 PARIS, France

Address for service: FRKelly, 27 Clyde Road, Ballsbridge, Dublin 4, Ireland

## OPTUMIQ

1433247 13/03/2018

- Class 9. Downloadable electronic publications in the nature of brochures newsletters in the fields of healthcare, health, insurance, financial and consumer data, and pharmaceuticals; computer software for accessing, storing, transmitting, managing, analyzing, tracking, processing, and auditing health, healthcare, pharmaceuticals, insurance, financial and consumer data; computer software for revenue cycle management and business management; computer software for healthcare diagnosis coding and billing; electronic databases in the field of health care insurance and health care recorded on computer media; customized downloadable computer databases featuring business data and information regarding drug prescriptions recorded on computer media.
- Class 35. Providing on-line directory information services in the fields of health care and health insurance; online business and financial records management in the fields of health care and health insurance; providing information in the field of business administration of health care and medical practices; outsourcing services in the fields of healthcare, human resources, finance, accounting, quality, marketing, communications, information technology, and business process; administration of pharmacy reimbursement programs and services; business organization consultancy and business administration of

networks of health care providers; business data analysis; administration services relating to arranging of managed care contractual services in the fields of health care; management services of a business nature for clinical trials of drugs in the field of investigational drugs, namely, providing clinical trial support; business management consulting services in the fields of healthcare and pharmaceutical, pharmacogenomic, biotechnical, medical products and devices; conducting business research and surveys; data compiling and business data analyzing and reporting services in the fields of healthcare, pharmaceuticals, consumer behavior, finance, and biotechnology.

- Class 42. Providing temporary use of on-line non-downloadable software for accessing, storing, transmitting, managing, analyzing, tracking, processing, and auditing health, healthcare, pharmaceuticals, insurance, financial and consumer data; providing temporary use of on-line non-downloadable software for revenue cycle management and business management; providing temporary use of on-line non-downloadable software for healthcare diagnosis coding and billing; scientific research and consulting services related thereto in the fields of health, health care, health insurance, health care data management and warehousing, IT, software development, financial transactions, medical devices, pharmaceuticals, revenue management for health care providers, and medical, pharmaceutical, and biotechnical research and analysis; technical support

services, namely, troubleshooting of computer hardware and software problems; computer programming; application service provider services, namely, designing, installing, integrating, and networking computer software for others, namely, for use in business management; computer systems configuration and analysis; data warehousing, data migration and data mining services for the health care industry; cloud hosting provider services; data curating, namely, collecting, integrating and analysing data from multiple sources; providing temporary use of online computer software in the field of artificial intelligence, namely, software for generating optimized answers, decisions, predictions, forecasts, opinions, or judgment; computer services, namely, testing the electronic data interchange transactions of others for the purpose of certification and for compliance with healthcare industry and electronic data interchange laws, including the health insurance portability and accountability act.

- Class 45. Providing patient advocate services to members of health benefit plans in the nature of promoting awareness of health and wellness issues; individualized health care coordination services, namely, facilitating medical care services, behavior health services, and health care management; fraud detection, prevention, and recovery services in the field of health care insurance.

Priority Date Claimed: 23 October 2017 United States of America

Optum, Inc., 9900 Bren Road East, MN008-T202, Minnetonka MN 55343, United States of America

Representative: Julia K. Sutherland Seyfarth Shaw LLP, 233 South Wacker Drive, Suite 8000, Chicago IL 60606, United States of America

Address for service: FRKelly, 27 Clyde Road, Ballsbridge, Dublin 4, Ireland

### CLEAN CAP

1434724 03/10/2018

Class 10. Flexible covers specifically adapted for covering pharmaceutical and medical instruments in an autoclave for medical use.

STERIS Corporation, 5960 Heisley Road, Mentor OH 44060, United States of America

Representative: Mark Kusner KUSNER & JAFFE, 6150 Parkland Boulevard, Ste. 105, Paragon Center II, Mayfield Heights OH 44124, United States of America

Address for service: HANNA MOORE + CURLEY, Garryard House, 25/26 Earlfort Terrace, Dublin 2 D02 PX51, Ireland

### BLACKLINE

1441122 10/10/2018

Class 16. Paper and cardboard and

paper made of cardboard; packaging and wrapping materials made of plastic materials; printing sets, portable [office requisites], binding materials for books and papers; printed matter, printed publications, printed calendars, printed photograph, printed tables, stickers [stationery], posters; stationery and office requisites (except furniture); pens, pencils; drawing materials and materials for artists; adhesives for stationery and household purposes; instructional and teaching material [except apparatus]; office machines; paint rollers and paintbrushes.

ADEL KALEMCILIK TICARET VE SANAYI ANONIM SIRKETI, Fatih Sultan Mehmet Mah. Balkan Cad., No: 58 Buyaka E Blok Tepeustu, TR-41480 Umraniye Istanbul, Turkey

Representative: Canan Tinaz, Esentepe Mahallesi, Kore Sehitleri Caddesi No: 17, Zincirlikuyu Sisli, Istanbul, Turkey



1441768 13/02/2018

Class 8. Articles of cutlery; boxes adapted for cutlery; boxes for cutlery (fitted); canteens of cutlery; cutlery; cutlery blades; cutlery for use by babies; cutlery for use by children; cutlery of precious metals; disposable tableware (cutlery) made of plastics; flatware (cutlery); forks (cutlery); gold and silver ware

(cutlery); plastic cutlery; plastic spoons (cutlery); plastic tableware (cutlery); silver and gold ware (cutlery, forks and spoons); silverware (cutlery, forks and spoons); spoons (cutlery); stainless steel cutlery (other than for surgical use); table cutlery (knives, forks and spoons); table cutlery of plastic (knives, forks and spoons); table cutlery of precious metal (knives, forks and spoons); tableware (knives, forks and spoons); tableware (knives, forks and spoons) coated with precious metal alloys; tableware (knives, forks and spoons) coated with precious metals; tableware (knives, forks and spoons) of precious metal; tableware of plastics material (knives, forks and spoons); tableware of precious metals (knives, forks and spoons); scissors for kitchen use; shredders (hand operated tools), other than for kitchen use; ceramic knives; hand tools (hand operated) made from ceramic material; dinnerware (knives, forks and spoons); dinnerware (knives, forks and spoons) of precious metal; dinner services (knives, forks and spoons); baby spoons, table forks and table knives; table forks; table knives; table services (knives, forks and spoons).

Class 21. Bone china tableware (other than cutlery); cutlery holders; cutlery rests; cutlery trays; disposable tableware made of plastics (other than cutlery); ceramic plates (tableware); ceramic tableware; coffee services (tableware); glass tableware; oven-to-table tableware; plastic tableware; tableware (other than knives, forks and spoons); tableware holders; tableware in the form of earthenware; tableware in the form of glassware; tableware made of paper

(other than knives, forks and spoons); tableware of cardboard (other than knives, forks and spoons); tableware of plastics material (other than knives, forks and spoons); tableware of porcelain; tea services (tableware); articles of glassware, namely, glass tableware (dinnerware), drinking glasses (tumblers, cups, mugs), glass stemware (wine glasses, flutes, cocktail glasses) and glass serveware (platters, bowls); crystal (glassware); decorative glassware; domestic glassware; glassware; glassware for domestic use; glassware for household purposes; glassware for kitchen purposes; hand cut crystal glassware, namely, glass stemware and drinkware; baking trays; decorative trays of earthenware; decorative trays of glass; decorative trays of porcelain; disposable aluminium trays for domestic purposes; metal trays (household); plastics trays (household utensils); serving trays; trays for household purposes; trays of paper, for household purposes; articles of china for kitchen use; articles of earthenware for kitchen use; articles of glass for kitchen use; articles of wood for kitchen use; ceramics for kitchen use; crockery for kitchen use; domestic non-electric kitchen apparatus; hand-operated apparatus for kitchen use; hand-operated kitchen utensils; kitchen tools (utensils, not electric); kitchen utensils; kitchen vessels; kitchenware; ornamental ware for kitchen use; plastic kitchen containers; porcelain for kitchen use; portable small non-electric utensils for kitchen use; crockery; picnic crockery; decorative objects

(ornaments) made of glass; drinking glasses; glasses (drinking vessels); moulded glass; pressed glass; unworked glass; vases of glass; wine glasses; decorated porcelain ware; decorative porcelain ware; dinner services made from porcelain; dinnerware of porcelain; drinking mugs made of porcelain; ornamental models made of porcelain; ornamental sculptures made of porcelain; ornaments (statues) made of porcelain; porcelain articles for decorative purposes; porcelain decorations; porcelain for household use; porcelain ware; vases of porcelain; works of art, of porcelain, ceramic, earthenware or glass; ceramic figurines; ceramic hollowware; ceramic mugs; ceramics for household purposes; glass ceramics for use in manufacture; dinnerware of bone china; dinnerware of stoneware; china for the table; disposable table plates; dressing table utensils; table napkin holders; table plates; disposable drinking vessels in plastic; disposable drinking vessels in polystyrene; disposable plastic drinking vessels; drinking containers; drinking cups; drinking receptacles; tumblers (drinking vessels).

BAMBIS IMPORT CO. PTY. LTD., PO BOX 195,  
1-9 MORELAND ROAD, COBURG VIC 3058,  
Australia

## AMAC

1452363 19/12/2016

Class 35. Management services (operation) of hotels, restaurants, hotel-related establishments, camping and grouped settlement parks; administrative management of hotels, restaurants, hotel-related establishments, camping and grouped settlement parks; advertising; on line advertising on computer networks; dissemination of advertising material (leaflets, prospectuses, printed matter, samples); rental of advertising time on all communication media; publication of advertising texts; rental of advertising space; dissemination of advertisements; business management and organization consultancy; commercial business management; commercial administration; administrative support (assistance) to companies, in terms of marketing and communication; arranging newspaper subscriptions for others; arranging subscriptions to telecommunication services for others; organization of exhibitions for commercial or advertising purposes; presentation of products on any means for retail sale; public relations; document reproduction; creation and production of communication tools, namely, brochures, press announcements, websites; computer file management; office functions, accounting; employment agencies; grocery services, namely, providing and making available to local retailers of foodstuffs and various

- commonly used non-foodstuffs not related to foodstuffs.
- Class 39. Creation of tourist programs; organizing of stays with offer of tourist packages; travel agency services; travel agency services for camping holidays and grouped parks; booking of sightseeing tours; travel organization provided by a travel agent; information relating to travel; preparation and booking of travel for package holidays; planning and booking of travel and transportation by electronic means; providing information relating to travel via global computer networks; travel reservations; booking of seats for travel; organization of sightseeing tours; organizing of guided tours; organization of excursions; organization of cruises; conducting of tours; escorting of travelers; transport; transport information; transport logistics services; taxi services; reservations of seats for the transport of persons; vehicle rental; rental of bicycles; boat rental; horse rental; rental of garages or parking places; delivery of newspapers; distribution of water, electricity or energy.
- Class 41. Education; training related to the travel and tourism industry; entertainment services; holiday camp services (entertainment); sports and cultural activities within the framework of holiday villages, camping, caravan parks; information relating to entertainment or education; sporting and cultural activities; courses for improving sports performance; health club services (fitness training); rental of sport equipment (except vehicles); organization of sports competitions; club services (entertainment or education); leisure services; provision of recreational facilities; providing of water parks; provision of sports facilities; hiking tours; equestrian centers; cycling tracks; karting tracks; water sports facilities; sports equipment rental excluding vehicles; providing facilities for balneotherapy; providing of sauna and hammam facilities; provision of amusement arcades; discotheque services; organizing of festive events; planning of receptions (entertainment); organizing of concerts and cultural activities; presentation of live performances; reservation of seats for shows; booking of tickets for shows; publication of newspapers, magazines, brochures and periodicals; publication of books, lending libraries; electronic publication of online newspapers, magazines, brochures, books and periodicals; lending of books, providing of wireless communication networks (WiFi); rental of television sets, VCR and radio; rental of motion pictures; organization and conducting of conferences, seminars, congresses relating to education, leisure and entertainment; organizing of competitions concerning education or entertainment; organization of exhibitions for cultural or educational purposes; gambling services; game services provided on-line from a computer network; photography services.
- Class 43. Management of hotels and hotel-related establishments; camp sites; holiday villages; accommodation agency (hotels, pensions, camping); hotel, motel, resort services; providing holiday accommodation; providing

temporary accommodation in holiday camps; temporary housing services, namely, tourist residences, business residences, accommodation for business clients and seasonal and summer accommodation; rental of temporary accommodation; rental of temporary accommodation in the nature of villas, bungalows, mobile homes, chalets; temporary accommodation in apartments and holiday homes; tourist homes; grouped parks; holiday camp services (lodging); boarding houses; travel agency services for booking of temporary accommodation; booking of hotels, guesthouses; booking of mobile homes; booking services relating to accommodation in the field of travel and tourism provided via the Internet; booking of campground spaces; providing of lands; providing campground facilities; provision of barbecue and picnic areas (catering); providing temporary use of caravan parks; providing of caravanning and camping services; provision of children play areas, gaming rooms, sports facilities, recreational facilities within a holiday resort; boarding for animals; day-nurseries [crèches]; child day-care centers; retirement homes; hotel services; open-air hotels; hotel services; restaurant services; catering (food, beverages, meals); catering services; bar, cafeteria, coffee-house services; snack bars; self-service restaurants; bar services; rental of tents; rental of chairs, tables, table linen and glassware; rental of meeting rooms.

Priority Date Claimed: 17 June 2016 France

COMPAGNIE DE BEL AIR, 9 rue René Goscinny, F-75013 Paris, France

Representative: M. François DESCHAMPS  
TMARK CONSEILS, 31  
rue Tronchet, F-75008 PARIS,  
France

---

## FLOOR POPS

**1452806** 29/01/2019

Class 27. Floor mats.

Priority Date Claimed: 31 July 2018 United States of America

BREWSTER HOME FASHIONS LLC, 67 Pacella Park Drive, Randolph MA 02368, United States of America

Representative: Anthony Laurentano, Esq.  
Nelson Mullins Riley &  
Scarborough, ONE POST  
OFFICE SQUARE, 30th Floor,  
Boston MA 02109, United  
States of America

Registration of this Trade Mark gives no right to the exclusive use of "FLOOR"

---

AAA

*Cigaronne*

**1452856** 04/12/2018

Class 34. Tobacco, tobacco products;

cigarettes; electronic  
cigarettes; cigarillos; cigars;  
matches; tobacco pipes;  
cigarette filters; lighters for  
smokers.

Priority Date Claimed: 28 September 2018 Russian  
Federation

POGOSYAN SEMEN AMAYAKOVITCH, 46,  
Tavridyana out., Erevan, Armenia

Representative: E. Schelkunova, Patent and Law  
Firm "YUS", LLC, d.6,  
Prospekt Mira, RU-129090  
Moscow, Russian Federation

## GENTIRE

**1452939** 31/12/2018

Class 12. Tires for vehicle wheels; tread  
for vehicles (tractor type);  
automobile tires; vehicle tires;  
casings for pneumatic tires;  
pneumatic tires; bicycle and  
tricycle tires; tires, solid, for  
vehicle wheels.

SHANDONG JINYU TIRE CO., LTD., NO. 260  
QINGKEN ROAD, DAWANG TOWN,  
GUANGRAO COUNTY, DONGYING 257335,  
250101 SHANDONG, China

Representative: QIANHUI IP ATTORNEYS,  
20F, BUILDING 1,  
ZHONGRUN CENTURY  
CENTER, NO. 12111 JINGSHI  
RD, JINAN, 250014  
SHANDONG, China

## IQstore

**1452949** 18/01/2019

Class 35. Operating on-line  
marketplaces for buying,  
selling and exchanging  
software and on-demand  
applications.

Class 42. Application service provider  
(asp) featuring computer  
software in the field of sound  
and hearing.

Priority Date Claimed: 14 January 2019 Australia

Nuheara IP Pty Ltd, 190 Aberdeen St,  
NORTHBRIDGE WA 6003, Australia

Representative: Corrs Chambers Westgarth,  
Level 25, 567 Collins Street,  
Melbourne VIC 3000, Australia

## ISOMAX

**1452952** 23/01/2019

Class 10. Medical and surgical  
apparatus and equipment;  
patient support surfaces.

Priority Date Claimed: 30 July 2018 United States of  
America

Stryker Corporation, 2825 Airview Boulevard,  
Kalamazoo MI 49002, United States of America

Representative: Eugene J. Rath III FLYNN  
THIEL, P.C., 2026 Rambling  
Road, Kalamazoo MI 49008-  
1631, United States of America



## ISOTOUR

1452954 23/01/2019

Class 10. Medical and surgical equipment and apparatus; patient support surfaces.

Priority Date Claimed: 30 July 2018 United States of America

Stryker Corporation, 2825 Airview Boulevard, Kalamazoo MI 49002, United States of America

Representative: Eugene J. Rath III FLYNN THIEL, P.C., 2026 Rambling Road, Kalamazoo MI 49008-1631, United States of America

---

## WE.CO

1453078 26/12/2018

Class 35. Business services, namely providing work space and shared office space containing business equipment and other amenities to emerging, start-up and existing companies; business operation of commercial real estate, offices and office space.

Class 36. Leasing of office space; rental of offices for co-working; rental of temporary and shared office spaces and offices.

Class 43. Providing facilities for business meetings and business events.

Priority Date Claimed: 28 June 2018 Office for Harmonization in the Internal Market

WeWork Companies Inc., 115 West 18th Street, NEW YORK NY 10011, United States of America

Representative: Nadine H. Jacobson, Esq. FROSS ZELNICK LEHRMAN & ZISSU, P.C., 4 Times Square, 17th Floor, New York NY 10036, United States of America

---

## wegrow

1453097 22/01/2019

Class 41. Educational services; educational services, namely, developing curriculum for teachers; educational services, namely, providing kindergarten through grade 12 classroom instruction; educational services in the nature of operating an educational institution providing kindergarten through grade 12 classroom instruction.

Priority Date Claimed: 08 January 2019 United States of America

WeWork Companies Inc., 115 West 18th Street, New York NY 10011, United States of America

Representative: Nadine H. Jacobson FROSS ZELNICK LEHRMAN & ZISSU, P.C., 4 Times Square, New York NY 10036, United States of America



**1453140** 02/01/2019

- Class 18. Umbrellas; walking sticks; leather laces; leather checkbook holders; animal skins; travelling bags; pocket wallets; bags for sports; bags; key cases.
- Class 25. Underwear; layettes; shoes; hats; hosiery; gloves; scarfs; girdles; ready-made clothing; clothing.
- Class 35. Provision of an on-line marketplace for buyers and sellers of goods and services; commercial administration of the licensing of the goods and services of others; organization of exhibitions for commercial or advertising purposes; import-export agency services; sales promotion for others; business management assistance; systemization of information into computer databases; book-keeping; advertising; marketing.

EP YAYING FASHION GROUP CO., LTD., No. 966, West Dongsheng Road, Jiaxing City, Zhejiang Province, China

Representative: CCPIT PATENT & TRADEMARK LAW OFFICE, 10/F, OCEAN PLAZA, 158 FUXINGMENNEI STREET, 100031 BEIJING, China

## SEDNA

**1453146** 29/08/2018

- Class 1. Bread and bakery improvers for industrial or craft purposes; bread additives for industrial or craft purposes; enzymes for bread-making and fermentation; dough conditioners; chemical and biochemical additives for use in fermentation; chemical preparations and products for use in the manufacturing of food and beverages; biochemical preparations and products for use in the manufacturing of food and beverages; fermentation extracts and ferments for use as preparations in the food and beverage industries; yeast nutrients for industrial purposes.
- Class 42. Engineering services; technological services; advisory, consultancy and management relating to the aforesaid.

Priority Date Claimed: 24 August 2018 Australia

Cereform Limited, Weston Centre, 10 Grosvenor Street, London W1K 4QY, United Kingdom

Representative: Herbert Smith Freehills, ANZ Tower, 161 Castlereagh Street, SYDNEY NSW 2000, Australia

## WEGROW

**1453166** 26/12/2018

- Class 35. Incubation services; incubation services, namely, providing work space to emerging, start-up and

existing companies; business operation of commercial real estate, offices and office space, business operation of commercial real estate, offices and office space, namely, shared office venues with conference facilities; business services, namely, providing work space and shared office space containing business equipment and other amenities to emerging, start-up and existing companies.

Class 36. Real estate services; real estate services, namely, leasing of real property and apartments; leasing of office space; leasing or renting of buildings; real estate brokerage; rental of office space; rental of offices for co-working; rental of temporary and shared office spaces and offices.

Class 41. Educational services; entertainment services; educational services, namely, developing curriculum for teachers; educational services, namely, providing classroom instruction; educational services in the nature of operating an educational institution.

Class 43. Hospitality services (food and drink); providing food and beverage services; providing meeting room space; restaurant and lounge services; providing facilities for business meetings and business events.

Priority Date Claimed: 30 June 2018 India

Priority Date Claimed: 01 August 2018 Office for Harmonization in the Internal Market

WeWork Companies Inc., 115 West 18th Street, NEW YORK NY 10011, United States of America

Representative: Nadine H. Jacobson, Esq. FROSS ZELNICK LEHRMAN & ZISSU, P.C., 4 Times Square, 17th Floor, New York NY 10036, United States of America



1453286 23/01/2019

Class 35. Incubation services; incubation services, namely, providing work space to emerging, start-up and existing companies; business operation of commercial real estate, offices and office space, business operation of commercial real estate, offices and office space, namely, shared office venues with conference facilities.

Class 36. Real estate services, namely leasing of office space and real estate; rental of office space; rental of shared office space; leasing of shared office space; leasing of coworking facilities.

Class 43. Providing food and beverage services; providing meeting room services; providing facilities for business meetings and business events.

Priority Date Claimed: 30 July 2018 United States of America

WeWork Companies Inc., 115 West 18th Street, New York NY 10011, United States of America

Representative: Nadine H. Jacobson, Esq. FROSS ZELNICK LEHRMAN & ZISSU, P.C., 4 Times Square, 17th Floor, New York NY 10036, United States of America



**1453355** 23/11/2018

Class 28. Intelligent toys; toys started by laser; toy models; toy vehicles; controllers for toys; scale model kits [toys]; toys; building blocks [toys]; scale model vehicles; radio-controlled toy vehicles.

Shantou Chenghai Longjun Toy Factory, No. 4, East National Road, Zhulin Village, Lianshang Town, Chenghai District, Shantou City, Guangdong, China

Colour Claimed: Red, white, orange and black., The background is in red; the letters are in white; the stroke is in black and orange.

Notings: Transliteration of the mark: "Le" "Pin"

Representative: Shantou City zhongzirong Intellectual Property Rights Office, 324 National Road, (6/F in front of Xianpeng Building Materials), Zhongzirong Intellectual Property Rights Office, Chenghai District, Shantou City, Guangdong Province, China

## FITCOR

**1453602** 11/12/2018

Class 5. Veterinary preparations.

Priority Date Claimed: 29 June 2018 Slovenia

KRKA, tovarna zdravil, d.d., Novo mesto, Smarjeska cesta 6, SI-8000 Novo mesto, Slovenia

## FLOORPOPS

**1453618** 29/01/2019

Class 27. Floor mats.

Priority Date Claimed: 31 July 2018 United States of America

BREWSTER HOME FASHIONS LLC, 67 Pacella Park Drive, Randolph MA 02368, United States of America

Representative: Anthony Laurentano, Esq. Nelson Mullins Riley & Scarborough, ONE POST OFFICE SQUARE, 30th Floor, Boston MA 02109, United States of America

**1453694** 08/01/2019

Class 7. Cutting machines; woodworking machines; machines for glass working; stone-working machines; metalworking machines;

engraving machines;  
machines for processing  
plastics; machine tools;  
welding apparatus, gas-  
operated; electroplating  
machines.

SHANDONG MING MEI CNC MACHINERY CO.,  
LTD., DAYU VILLAGE, PINGAN STREET  
ECONOMIC DEV ZONE, JINAN CITY, 250000  
SHANDONG PROVINCE, China

Representative: SHAN DONG FANG YU  
SHANG BIAO SHI WU SUO  
YOU XIAN GONG SI, ROOM  
904, BUILDING 1, YINZUO  
ZHONGXIN, NO. 22799,  
JINGSHI ROAD, HUAIYIN  
DISTRICT, JINAN CITY,  
SHANDONG PROVINCE,  
China

---

## TRUTURN

1453837 05/02/2019

Class 10. Medical and surgical  
apparatus and equipment;  
patient support turning  
apparatus.

Priority Date Claimed: 07 August 2018 United States  
of America

Stryker Corporation, 2825 Airview Boulevard,  
Kalamazoo MI 49002, United States of America

Representative: Eugene J. Rath III FLYNN  
THIEL, P.C., 2026 Rambling  
Road, Kalamazoo MI 49008-  
1631, United States of America



1453842 17/01/2019

Class 9. Batteries for electronic  
cigarettes; batteries, electric;  
accumulators, electric; mobile  
power (rechargeable battery);  
voltage-stabilized source;  
batteries, electric, for  
vehicles; battery boxes;  
accumulators, electric, for  
vehicles; materials for  
electricity mains [wires,  
cables]; galvanic cells.

ZHUHAI COSLIGHT BATTERY CO., LTD.,  
No.209, Zhufeng Road, Jing'an Town, Doumen  
District, Zhuhai City, Guangdong Province, China  
(Southern Area of 1st Floor, of Factory A), China

Notings: Translation of the mark or the  
words contained in the  
Transliteration of the mark:  
"PU" means "general", "YU"  
means "universe", the  
combination of the two Chinese  
characters has no meaning.

Representative: JINHONGLAI  
INTERNATIONAL  
INTELLECTUAL  
PROPERTY(BEIJING) LTD.,  
130805, UNIT 3, FLOOR 7,  
BUILDING 3, NO.1  
COURTYARD, FUTONG  
EAST STREET, CHAOYANG  
DISTRICT, BEIJING, China



1453896 10/12/2018

Class 8. Hand tools, hand operated;  
lawn clippers [hand

instruments]; agricultural implements, hand-operated; spades [hand tools]; shears [hand instruments]; shears; budding knives; trowels [gardening]; garden tools, hand-operated; grafting tools [hand tools].

RIZHAO YOUHE VEHICLE CO., LTD, HONGTU ROAD, NO. 18, YULI TOWN, WULIAN, RIZHAO CITY, SHANDONG PROVINCE, China

Representative: Qingdao Yitong Trademark Office, Room 702, Unit 3, Building 9, Haiyi jiayuan, No. 346 Haiwang Road, Huangdao District, Qingdao City, Shandong Province, China

**翔鹤**  
**XIANG HE**

1453903 29/11/2018

Class 21. Glasses [receptacles]; painted glassware; glass flasks [containers]; glass cover; drinking glasses; glass stoppers; boxes of glass; glass bowls; household glass tubes and rods; tea services [tableware].

JINAN FEIHE GLASS CRAFT PRODUCTS CO., LTD., PRIVATE ECONOMIC INDUSTRIAL PARK, YU HUANG MIAO TOWN, SHANGHECOUNTRY, JINAN CITY, 250000 SHANDONG PROVINCE, China

Notings:

Translation of the mark or the words contained in the mark: The two Chinese characters mean "Flying", "crane" respectively. The combination of the two Chinese characters has no significance in the relevant trade or industry, and has no geographical significance, and has no meaning in a foreign language, and has no significance as applied to the goods.

Representative: SHAN DONG FANG YU SHANG BIAO SHI WU SUO YOU XIAN GONG SI, ROOM 904, BUILDING 1, YINZUO ZHONGXIN, NO. 22799, JINGSHI ROAD, HUAIYIN DISTRICT, JINAN CITY, SHANDONG PROVINCE, China

**TARLIDOCIN**

1454105 09/01/2019

Class 5. Pharmaceutical preparations.

Priority Date Claimed: 19 November 2018 Germany

INFECTOPHARM Arzneimittel und Consilium GmbH, von-Humboldt-Str. 1, 64646 Heppenheim, Germany

**TUHAO 鉅豪**

1454264 23/11/2018

Class 9. Computers; wires, electric; coils, electric; switches, electric; current rectifiers;

electric door bells; batteries, electric.

JIAN LONG XU, No. 14, Hetian Yanjiang Road, Oubei town, Yongjia County, 325101 Zhejiang, China

Notings: Translation of the mark or of the words contained in the mark: The trademark consists of Chinese characters JUHAO and Pinyin JUHAO; the combination of the two characters has no meaning. The mark has no significance in the relevant trade or industry, and no geographical significance. Transliteration of the mark: JU HAO

Representative: Guangdong Huading Intellectual Property Agency co.,LTD, the 1901th floor of NO.1, Ziling International Building, NO.82 of Zhongshan 5th Road, Zhongshan City, 528400 Guangdong Province, China



1454574 29/01/2019 Class 19. Vinyl floor tiles for residential use. Priority Date Claimed: 31 July 2018 United States of America

BREWSTER HOME FASHIONS LLC, 67 Pacella Park Drive, Randolph MA 02368, United States of America

Representative: Anthony Laurentano, Esq. Nelson Mullins Riley & Scarborough, ONE POST OFFICE SQUARE, 30th Floor, Boston MA 02109, United States of America

Registration of this Trade Mark gives no right to the exclusive use of "FLOOR"

### 1.1 MILLIONAIRES

1454621 18/12/2018 Class 9. Spectacles, sunglasses, cases for spectacles and sunglasses.

Priority Date Claimed: 21 June 2018 France

LOUIS VUITTON MALLETIER, 2 rue du Pont-Neuf, F-75001 Paris, France

Representative: SOCIETE LOUIS VUITTON SERVICES, Département Propriété Intellectuelle, 2 rue du Pont-Neuf, F-75001 Paris, France



1454642 28/11/2018 Class 9. Software and apps for computers, tablets, mobile phones, smartphones, PDAs and other electronic devices concerning financial products, capital investment products,

- real estate, real estate investments, asset investments, crowd funding and crowd investing.
- Class 35. Business management; business administration; business consulting; organisational and business consulting concerning financial products, capital investment products, real estate, real estate investments and asset investments.
- Class 36. Financial affairs; financial services; financing consulting; financing; financial consulting; investment consulting; financial analyses; investment business services; crowd funding; crowd investing; brokerage of financial products, capital investment products, real estate, real estate investments and asset investments; real estate affairs; real estate brokerage; real estate management.
- Class 38. Providing access to platforms, portals and information on the internet, other networks and other electronic communication media concerning financial products, capital investment products, real estate, real estate investments, asset investments, crowd funding and crowd investing.

Priority Date Claimed: 11 June 2018 Germany

DGH Deutsche Grundwert Holding AG,  
Grunewaldstraße 22, 12165 Berlin, Germany

Colour Claimed: Light blue, blue and black.

Representative: REHBERG HÜPPE +  
PARTNER Patentanwälte PartG  
mbB, Robert-Gernhardt-Platz 1,  
37073 Göttingen, Germany



1454647 10/08/2018

- Class 36. Mutual funds; capital investment; financial loans; financing services; financial management; financial analysis; financial consultancy; investment of funds; providing rebates at participating establishments of others through use of a membership card.
- Class 41. Academies; organization of educational and/or entertaining competitions; teaching; instruction services; arranging and conducting of conferences and congresses; providing education information; arranging and conducting of seminars, symposiums and workshops; on-line publication of electronic books and journals; coaching; arranging and conducting of in-person educational forums.

Priority Date Claimed: 10 August 2018 Czech Republic

UP21 s.r.o., Pernerova 676/51, CZ-186 00 Praha, Czech Republic

Colour Claimed: Yellow-green (pantone 388 C, pantone 397 C; pantone 391 C) and dark blue (pantone 548 C)., The mark consists of paper plane in yellow-green (pantone 388 C, pantone 397 C; pantone 391 C) and words "UP21" in dark blue (pantone 548 C).

Representative: ROWAN LEGAL, advokátní kancelár s.r.o., Mgr. Kristýna Kovaríková, advokátka, Na Pankráci 1683/127, CZ-140 00 Praha 4, Nusle, Czech Republic





1454767 29/01/2019

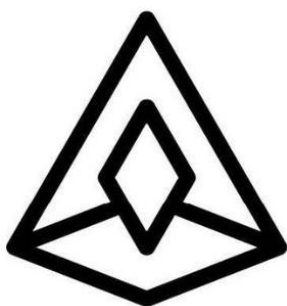
Class 27. Floor mats.

Priority Date Claimed: 31 July 2018 United States of America

BREWSTER HOME FASHIONS LLC, 67 Pacella Park Drive, Randolph MA 02368, United States of America

Representative: Anthony Laurentano, Esq. Nelson Mullins Riley & Scarborough, ONE POST OFFICE SQUARE, 30th Floor, Boston MA 02109, United States of America

Registration of this Trade Mark gives no right to the exclusive use of "FLOOR"



1455101 25/01/2019

Class 42. Software as a service (SAAS) services, namely, hosting software for use by others to organize, manage and secure digital services and data.

Priority Date Claimed: 23 January 2019 United States of America

Lenovo (Singapore) Pte. Ltd., 151 Lorong Chuan, 02-01 New Tech Park, Singapore 556741, Singapore

Representative: Becky A. Williams Motorola Trademark Holdings, LLC, 222 W Merchandise Mart Plaza, Chicago IL 60654, United States of America

## GRANADILLA

1455199 30/10/2018

Class 36. Insurance; finance services.  
Class 42. Software as a service [SaaS].

Granadilla Ltd, 86-90 Paul Street, LONDON EC2A 4NE, United Kingdom

## Haertha

1455236 04/12/2018

Class 40. Metal treating; metal hardening; metal heat treatment and finishing services.  
Class 42. Science and technological services; material testing; analysis of materials; technical consultancy services relating to metal treating and metal finishing.

Priority Date Claimed: 14 June 2018 Germany

Halex Holding GmbH, Industriestraße 9, 52457 Aldenhoven, Germany

Representative: ARQIS Rechtsanwälte  
Partnerschaftsgesellschaft,  
Prinzregentenplatz 7, 81675  
München, Germany



1455436 17/12/2018

Class 19. Bricks; ceramic tiles; wall tiles, not of metal; floor tiles, not of metal.

Shanghai ASA Ceramic Co.,Ltd., No. 3988, Hongmei South Road, Minhang District, 201100 Shanghai, China

Notings: Transliteration of the mark: YA-XI-YA

Representative: Beijing Ruizhibaocheng International Intellectual Property Agency Co.,Ltd, RM 308, 3F, Wanfengjiye Building A, No. 118 Weiqiangxiao Village, Maliandao, Fengtai District, 100000 Beijing, China



1455466 17/12/2018

Class 19. Ceramic tiles; bricks.

Shanghai ASA Ceramic Co.,Ltd., No. 3988, Hongmei South Road, Minhang District, 201100 Shanghai, China

Representative: Beijing Ruizhibaocheng International Intellectual Property Agency Co.,Ltd, RM 308, 3F, Wanfengjiye Building A, No. 118 Weiqiangxiao Village, Maliandao, Fengtai District, 100000 Beijing, China

**FRØ**

1455468 18/12/2018

Class 30. Cereal preparations; cakes; rusks.

Priority Date Claimed: 13 July 2018 France

United Bakeries Europe, 15 quai Ernest Renaud, F-44100 NANTES, France

### International Trade Marks protected in the State

1260343 (2377) Cl. 30, 35, 43  
N.N.T. of Belgium

1391566 (2373) Cl. 3, 5, 41, 42, 44  
Galenica AG of Switzerland

1393280 (2371) Cl. 9, 16, 35, 41  
norelem Normelemente KG of Germany

1400341 (2377) Cl. 9  
Shenzhenshi Maidou Keji Youxiangongsi of China

1401083 (2377) Cl. 5  
Joint Stock Company NikoMag of Russian Federation

- 1401337** (2377) Cl. 21  
Chaozhou Chaoan Jiangdong Jiali Craft  
Factory of China
- 1407292** (2377) Cl. 36  
Closed joint-stock company «Four zero four»  
of Russian Federation
- 1407453** (2377) Cl. 9, 12, 39, 42  
PIRELLI TYRE S.P.A. of Italy
- 1421549** (2377) Cl. 36, 37  
CHINA VANKE CO., LTD. of China
- 1422559** (2377) Cl. 9, 16, 41  
SerenWays SA of Switzerland
- 1422560** (2377) Cl. 3, 21  
ABLE C & C CO., LTD. of Republic of Korea
- 1422889** (2377) Cl. 3  
Beiersdorf AG of Germany
- 1423036** (2377) Cl. 35, 41, 43  
Brugge Plus VZW of Belgium
- 1423266** (2377) Cl. 9, 28  
Euro Games Technology Ltd. of Bulgaria
- 1423801** (2377) Cl. 9, 28  
Euro Games Technology Ltd. of Bulgaria

## Errata

### Application for Registration of marks published under Section 43(1) of the 1996 Act following Acceptance

- 260568 In Journal Number 2383 of 17/04/2018  
under the heading Application for  
Registration of marks published under  
Section 43(1) of the 1996 Act following  
Acceptance, the following noting in  
respect of Trade Mark No. 260568 was  
omitted:
- Consent for the use of the Shamrock has  
been obtained in respect of the goods and  
services as listed.

### Application for Registration of marks published under Section 43(1) of the 1996 Act following Acceptance

- 260771 In Journal Number 2385 of 15 May 2019  
under the heading Application for  
Registration of marks published under  
Section 43(1) of the 1996 Act following  
Acceptance, Trademark No. 260771, the  
seniority noting should have read:

This application resulted from the  
conversion of EUTM No. 31005 which  
claimed seniority from Irish registration  
no. 156799 of 17 May 1993. Consent for  
the use of the Shamrock has been  
obtained in respect of the goods and  
services as listed.